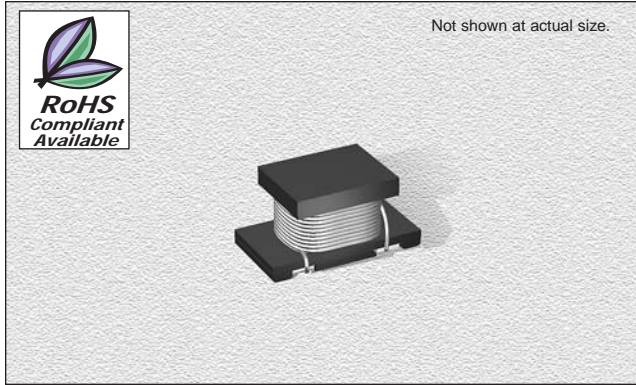


# CTLQ1210L Series

From .15  $\mu$ H to 100  $\mu$ H



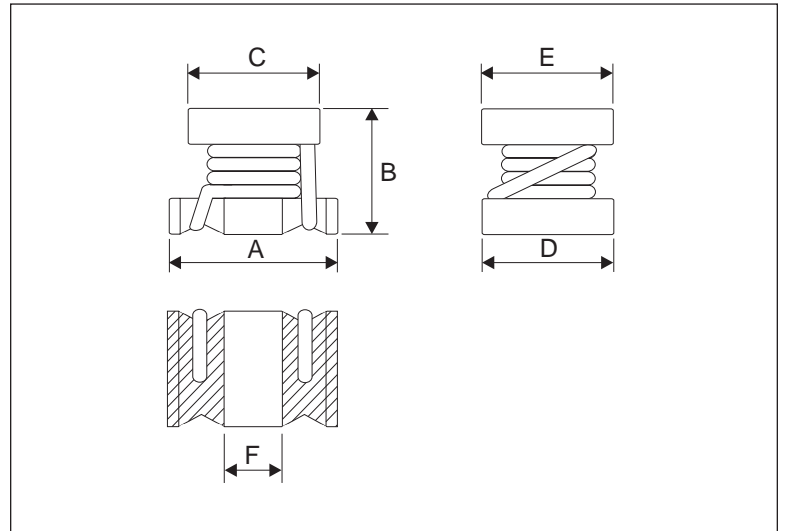
## SPECIFICATIONS

Please specify tolerance code when ordering.  
 CTLQ1210L-100\_ ← K =  $\pm$ 10%, M =  $\pm$ 20%  
 CTLQ120LE Please specify "F" for RoHS Compliant

Part Number	Inductance ( $\mu$ H)	Test Freq. (MHz)	DCR ( $\Omega$ ) $\pm$ 30%	SRF (MHz) Min.	Rated DC (mA) Max.
CTLQ1210L-R15M	.15	1.0	0.028	400	1450
CTLQ1210L-R27M	.27	1.0	0.034	250	1250
CTLQ1210L-R47M	.47	1.0	0.042	150	1100
CTLQ1210L-1R0M	1.0	1.0	0.060	100	1000
CTLQ1210L-2R2M	2.2	1.0	0.097	64	790
CTLQ1210L-4R7M	4.7	1.0	0.15	43	650
CTLQ1210L-100_	10	1.0	0.30	26	450

## PHYSICAL DIMENSIONS

Size	A	B	C	D	E	F
mm	3.2 $\pm$ 0.3	2.0 $\pm$ 0.2	2.5 $\pm$ 0.2	2.5 $\pm$ 0.2	2.5 $\pm$ 0.2	0.7
inches	0.13 $\pm$ 0.01	0.08 $\pm$ 0.008	0.10 $\pm$ 0.008	0.10 $\pm$ 0.008	0.10 $\pm$ 0.008	0.03



## CHARACTERISTICS

**Description:** SMD power inductor

**Applications:** Power supplies for VTR, OA equipment, LCD televisions, PC notebooks, portable communication equipment, DC/DC converters, etc.

**Operating Temperature:** -25°C to +85°C

**Inductance Tolerance:** K =  $\pm$ 10% & M =  $\pm$ 20%

**Packaging:** Tape & Reel

**Miscellaneous:** RoHS Compliant available.

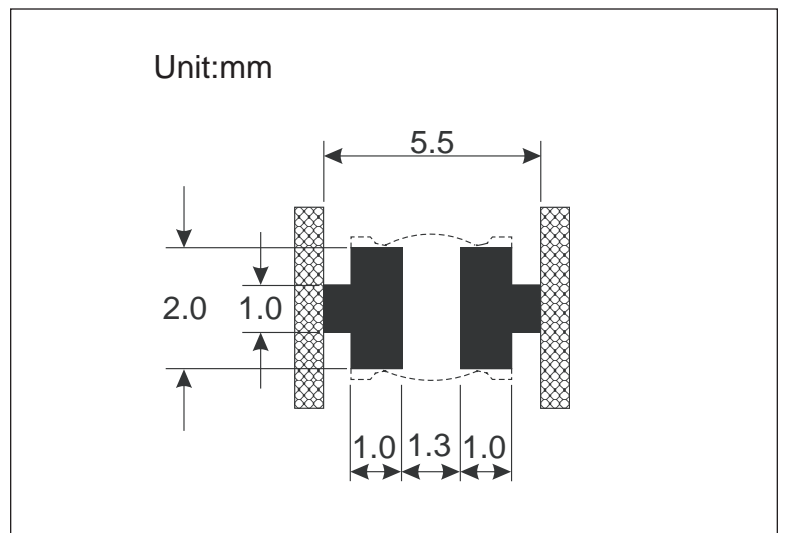
**Testing:** Tested on a HP4285A @ specified frequency

**Pads:** Soft copper and pre-tinned

**Additional Information:** Additional electrical & physical information available upon request

**Samples available. See website for ordering information.**

## LAND PATTERN



01.16.06