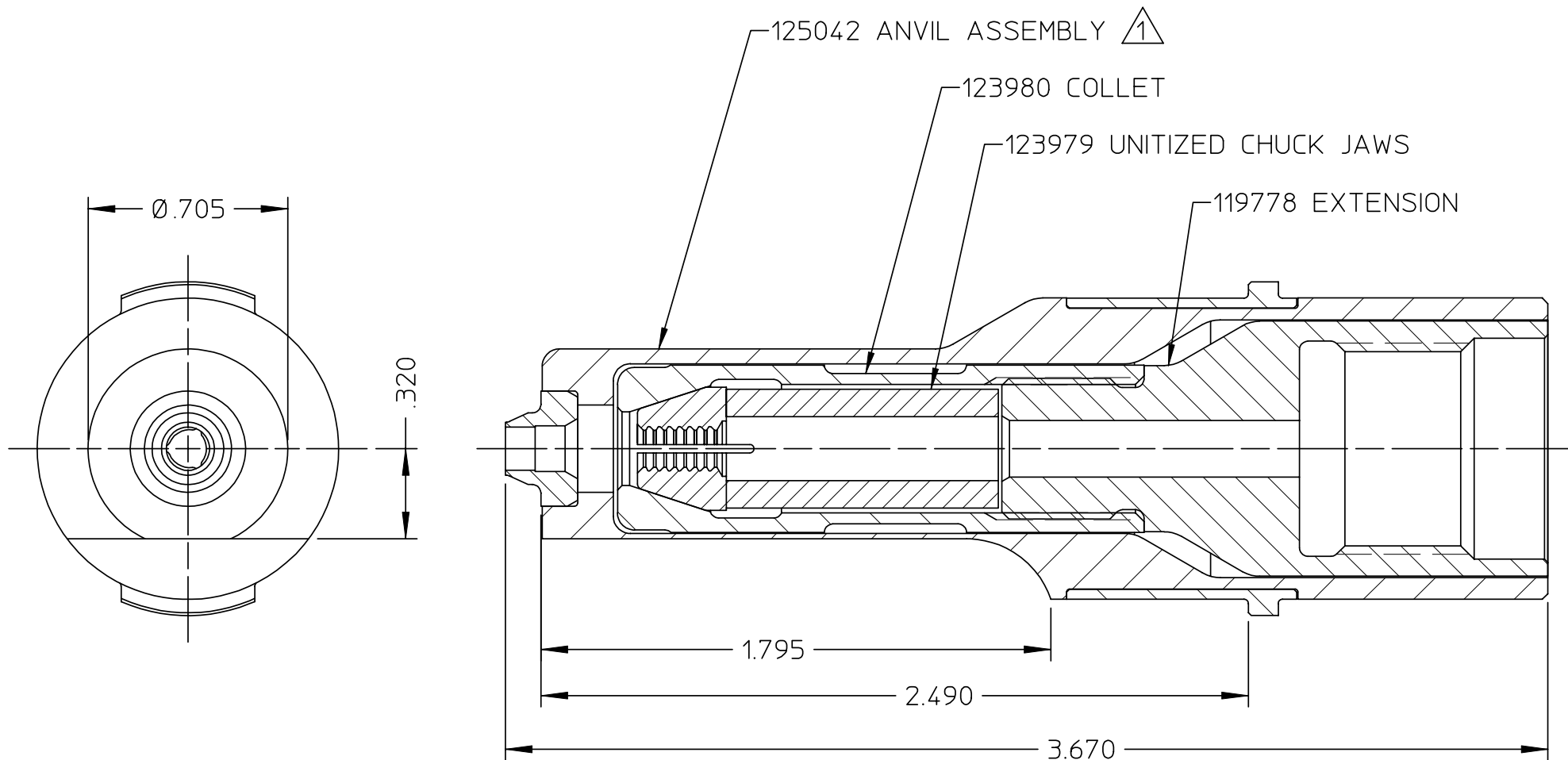


DATA SHEET



99-2710	Alcoa Fastening Systems Commercial Products 1 Corporate Drive, Kingston, NY 12401	
	TYPE:	NON-SELF-RELEASING
	FASTENER:	-06 BB
	TOOL(S):	245, 353
	Notes:	Product Revision: A
	US Patent:	Date: 07/07/03

NOTES:

① ANVIL ASSEMBLY 125042 CONSISTS OF:
ANVIL HOLDER ASSEMBLY 125041,
ANVIL INSERT 119376.

② ANVIL HOLDER ASSEMBLY 125041 CONSISTS OF:
ANVIL HOLDER 125040,
RETAINER 120737.