



Frontier Electronics Corp.

667 E. COCHRAN STREET, SIMI VALLEY, CA 93065

TEL: (805) 522-9998 FAX: (805) 522-9989

E-mail: frontiersales@frontierusa.com

Web: frontierusa.com

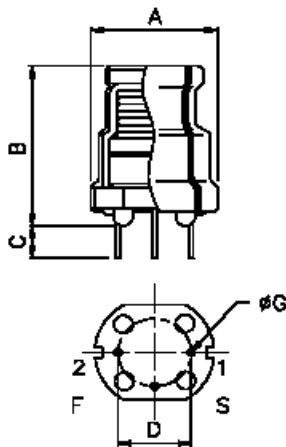
Linearity Coils

A. Electrical Specifications:

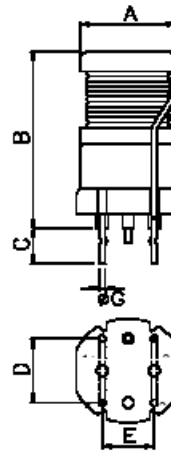
Series	A	B	C	D	E	G	Type
6615-XX	17.5	34	5.0	10	--	0.8	I
6617-XX	14.5	35	3.5	10	7.5	0.8	II

B. Mechanical Dimensions:

(Unit: mm)

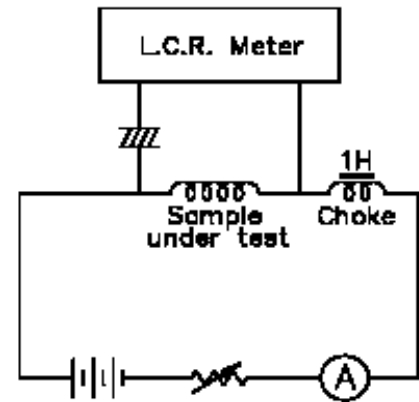
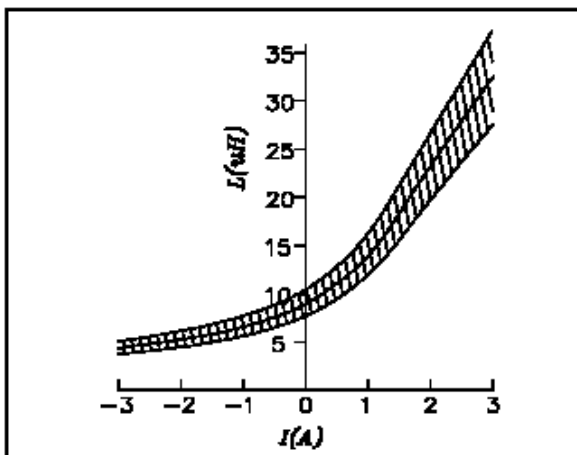


TYPE I



TYPE II

C. Testing circuit and Characteristic curve:



TEST CIRCUIT

D. Features:

- Low cost.
- Wide range of current.
- High reliability.

★ Custom specifications are available.

Note: **RoHS** compliant; for the **ROHS** parts, we add "**-LFR**" at the end of the P/N.