



O/E/N 38-T

MINIATURE POWER RELAY

- Equipped with arc barrier
- 4 Form C contacts
- Coils upto 220 VDC
- LED & Freewheeling Diode (Optional)
- Mechanical Test Button
- DIN Rail Mountable Socket

SPECIFICATIONS

Contact Arrangement	: 4 Form C
Contact Material	: Silver Alloy
Rated Voltage	: 250 VAC/24 VDC
Contact Rating	: 10A@230VAC/24VDC
Max. Switching Voltage	: 250 VAC / 24 VDC
Max. Switching Current	: 10 A
Contact Resistance Initial	: 50m Ohms
Nominal Coil Power	: 1.5 W (approx)
Operating Power	: 0.96 W (approx)
Life Expectancy	
Mechanical	: 10 ⁷ operations
Electrical	: 10 ⁵ operations
Dielectric Strength	
Between coil and contacts	: 2000VAC
Between Open contacts	: 1200VAC
Insulation Resistance at	: 500 Meg.Ohms @ 500 VDC, 25°C, RH 50
Operate time at nom. Volt	: 20 milli sec
Release time at nom. Volt	: 20 milli sec
Ambient Temperature	: -40°C to + 85° C
Weight	: 65 g

Typical Applications

CMRs, Industrial Contact, Instrumentation, PLC's Automation etc...

Socket Ordering Code

4 Form C Relay 38-9700-200

All dimensions are in mm. Specifications subject to change without notice.

COIL DATA

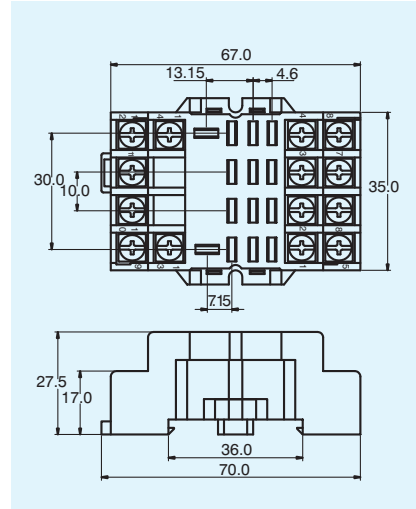
Nominal Voltage VDC	Pick-up Voltage VDC (Max)	Coil Resistance Ohms ± 10%
12	9.6	96
24	19.2	360
48	38.4	1540
110	88	6800
220	176	29000

AC COIL

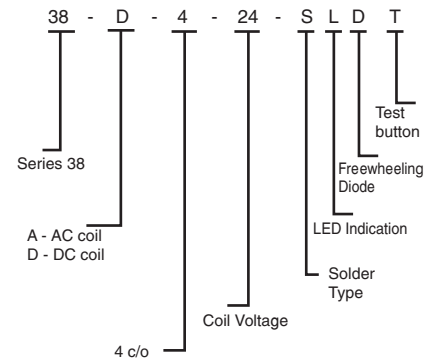
110	88	2000
240	192	8000

Special coils available on request*

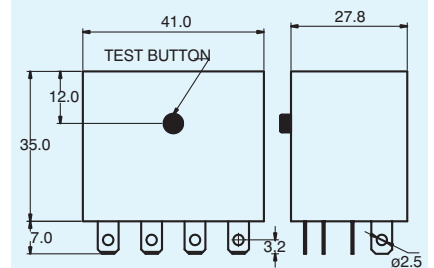
SOCKET TERMINAL



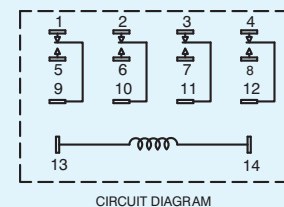
HOW TO ORDER



DIMENSION



CIRCUIT DIAGRAM



CIRCUIT DIAGRAM