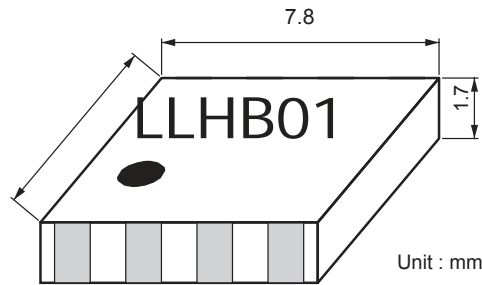
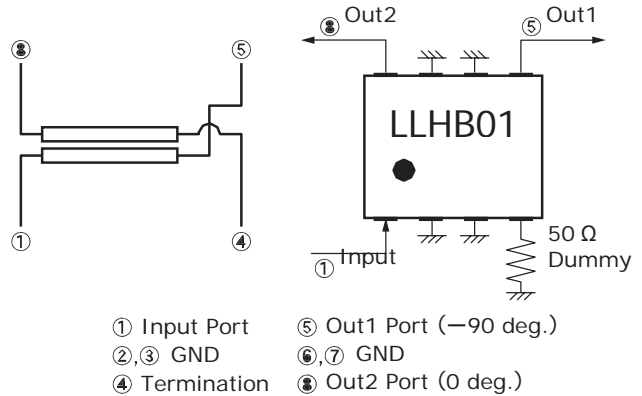


LLHB6801-0200-G (200MHz:170~230MHz)

Configuration, Dimensions



Schematics

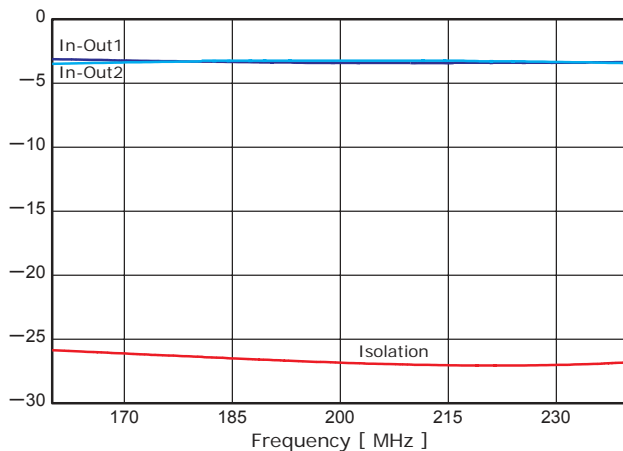


Specification

Style No.	Insertion Loss [dB]	Isolation [dB]	Amplitude Balance [dB]	Phase Balance [deg.]	VSWR	Max. Input Power [W]
LLHB6801-0200-G	3.6 max.	20.0 min.	0.5 max.	90±3	1.2 max.	3 max.

* Operating Temperature Range −30 ~+85 C
 * This Products is made with RoHS.

Typical Performance



Recommendable Footprint

