

The revision list can be viewed directly by clicking the title page.

The revision list summarizes the locations of revisions and additions. Details should always be checked by referring to the relevant text.

# 16

## H8S/2649 Group Hardware Manual

Renesas 16-Bit Single-Chip Microcomputer  
H8S Family/H8S/2600 Series

H8S/2649	HD64F2649
	HD6432649



## Keep safety first in your circuit designs!

1. Renesas Technology Corp. puts the maximum effort into making semiconductor products better and more reliable, but there is always the possibility that trouble may occur with them. Trouble with semiconductors may lead to personal injury, fire or property damage.  
Remember to give due consideration to safety when making your circuit designs, with appropriate measures such as (i) placement of substitutive, auxiliary circuits, (ii) use of nonflammable material or (iii) prevention against any malfunction or mishap.

## Notes regarding these materials

1. These materials are intended as a reference to assist our customers in the selection of the Renesas Technology Corp. product best suited to the customer's application; they do not convey any license under any intellectual property rights, or any other rights, belonging to Renesas Technology Corp. or a third party.
2. Renesas Technology Corp. assumes no responsibility for any damage, or infringement of any third-party's rights, originating in the use of any product data, diagrams, charts, programs, algorithms, or circuit application examples contained in these materials.
3. All information contained in these materials, including product data, diagrams, charts, programs and algorithms represents information on products at the time of publication of these materials, and are subject to change by Renesas Technology Corp. without notice due to product improvements or other reasons. It is therefore recommended that customers contact Renesas Technology Corp. or an authorized Renesas Technology Corp. product distributor for the latest product information before purchasing a product listed herein.  
The information described here may contain technical inaccuracies or typographical errors. Renesas Technology Corp. assumes no responsibility for any damage, liability, or other loss rising from these inaccuracies or errors.  
Please also pay attention to information published by Renesas Technology Corp. by various means, including the Renesas Technology Corp. Semiconductor home page (<http://www.renesas.com>).
4. When using any or all of the information contained in these materials, including product data, diagrams, charts, programs, and algorithms, please be sure to evaluate all information as a total system before making a final decision on the applicability of the information and products. Renesas Technology Corp. assumes no responsibility for any damage, liability or other loss resulting from the information contained herein.
5. Renesas Technology Corp. semiconductors are not designed or manufactured for use in a device or system that is used under circumstances in which human life is potentially at stake. Please contact Renesas Technology Corp. or an authorized Renesas Technology Corp. product distributor when considering the use of a product contained herein for any specific purposes, such as apparatus or systems for transportation, vehicular, medical, aerospace, nuclear, or undersea repeater use.
6. The prior written approval of Renesas Technology Corp. is necessary to reprint or reproduce in whole or in part these materials.
7. If these products or technologies are subject to the Japanese export control restrictions, they must be exported under a license from the Japanese government and cannot be imported into a country other than the approved destination.  
Any diversion or reexport contrary to the export control laws and regulations of Japan and/or the country of destination is prohibited.
8. Please contact Renesas Technology Corp. for further details on these materials or the products contained therein.

## General Precautions on Handling of Product

### 1. Treatment of NC Pins

Note: Do not connect anything to the NC pins.

The NC (not connected) pins are either not connected to any of the internal circuitry or are used as test pins or to reduce noise. If something is connected to the NC pins, the operation of the LSI is not guaranteed.

### 2. Treatment of Unused Input Pins

Note: Fix all unused input pins to high or low level.

Generally, the input pins of CMOS products are high-impedance input pins. If unused pins are in their open states, intermediate levels are induced by noise in the vicinity, a pass-through current flows internally, and a malfunction may occur.

### 3. Processing before Initialization

Note: When power is first supplied, the product's state is undefined.

The states of internal circuits are undefined until full power is supplied throughout the chip and a low level is input on the reset pin. During the period where the states are undefined, the register settings and the output state of each pin are also undefined. Design your system so that it does not malfunction because of processing while it is in this undefined state. For those products which have a reset function, reset the LSI immediately after the power supply has been turned on.

### 4. Prohibition of Access to Undefined or Reserved Addresses

Note: Access to undefined or reserved addresses is prohibited.

The undefined or reserved addresses may be used to expand functions, or test registers may have been allocated to these addresses. Do not access these registers; the system's operation is not guaranteed if they are accessed.

# Configuration of This Manual

This manual comprises the following items:

1. General Precautions on Handling of Product
2. Configuration of This Manual
3. Preface
4. Contents
5. Overview
6. Description of Functional Modules
  - CPU and System-Control Modules
  - On-Chip Peripheral Modules

The configuration of the functional description of each module differs according to the module. However, the generic style includes the following items:

- i) Feature
- ii) Input/Output Pin
- iii) Register Description
- iv) Operation
- v) Usage Note

When designing an application system that includes this LSI, take notes into account. Each section includes notes in relation to the descriptions given, and usage notes are given, as required, as the final part of each section.

7. List of Registers
8. Electrical Characteristics
9. Appendix
10. Main Revisions and Additions in this Edition (only for revised versions)

The list of revisions is a summary of points that have been revised or added to earlier versions. This does not include all of the revised contents. For details, see the actual locations in this manual.

11. Index

# Preface

The H8S/2649 Group single-chip microcomputer is made up of the high-speed H8S/2600 CPU as its core, and the peripheral functions required configuring a system. The H8S/2600 CPU has an instruction set that is compatible with the H8/300 and H8/300H CPUs.

**Target Users:** This manual was written for users who will be using the H8S/2649 Group in the design of application systems. Target users are expected to understand the fundamentals of electrical circuits, logical circuits, and microcomputers.

**Objective:** This manual was written to explain the hardware functions and electrical characteristics of the H8S/2649 Group to the target users.  
Refer to the H8S/2600 Series, H8S/2000 Series Programming Manual for a detailed description of the instruction set.

Notes on reading this manual:

- In order to understand the overall functions of the chip  
Read the manual according to the contents. This manual can be roughly categorized into parts on the CPU, system control functions, peripheral functions, and electrical characteristics.
- In order to understand the details of the CPU's functions  
Read the H8S/2600 Series, H8S/2000 Series Programming Manual.
- In order to understand the details of a register when its name is known  
Read the index that is the final part of the manual to find the page number of the entry on the register. The addresses, bits, and initial values of the registers are summarized in section 22, List of Registers.

**Examples:**     **Register name:**     The following notation is used for cases when the same or a similar function, e.g. 16-bit timer pulse unit or serial communication, is implemented on more than one channel: XXX\_N (XXX is the register name and N is the channel number)

**Bit order:**             The MSB is on the left and the LSB is on the right.

**Related Manuals:**   The latest versions of all related manuals are available from our web site. Please ensure you have the latest versions of all documents you require.  
<http://www.renesas.com/>

H8S/2649 Group manuals:

<b>Document Title</b>	<b>Document No.</b>
H8S/2649 Group Hardware Manual	This manual
H8S/2600 Series, H8S/2000 Series Programming Manual	REJ09B0139

User's manuals for development tools:

<b>Document Title</b>	<b>Document No.</b>
H8S, H8/300 Series C/C++ Compiler, Assembler, Optimizing Linkage Editor User's Manual	REJ10B0058
Microcomputer Development Environment System H8S, H8/300 Series Simulator/Debugger User's Manual	ADE-702-282
H8S, H8/300 Series High-performance Embedded Workshop 3 Tutorial	REJ10B0024
H8S, H8/300 Series High-performance Embedded Workshop 3 User's Manual	REJ10B0026





# Contents

Section 1	Overview	1
1.1	Features	1
1.2	Internal Block Diagram	2
1.3	Pin Assignments	3
1.3.1	Pin Assignments	3
1.3.2	Pin Functions in Each Operating Mode	4
1.3.3	Pin Functions	10
Section 2	CPU	15
2.1	Features	15
2.1.1	Differences between H8S/2600 CPU and H8S/2000 CPU	16
2.1.2	Differences from H8/300 CPU	17
2.1.3	Differences from H8/300H CPU	17
2.2	CPU Operating Modes	18
2.2.1	Normal Mode	18
2.2.2	Advanced Mode	20
2.3	Address Space	22
2.4	Registers	23
2.4.1	General Registers	24
2.4.2	Program Counter (PC)	25
2.4.3	Extended Control Register (EXR)	25
2.4.4	Condition-Code Register (CCR)	26
2.4.5	Multiply-Accumulate Register (MAC)	27
2.4.6	Initial Values of CPU Registers	27
2.5	Data Formats	28
2.5.1	General Register Data Formats	28
2.5.2	Memory Data Formats	30
2.6	Instruction Set	31
2.6.1	Table of Instructions Classified by Function	32
2.6.2	Basic Instruction Formats	42
2.7	Addressing Modes and Effective Address Calculation	43
2.7.1	Register Direct—Rn	43
2.7.2	Register Indirect—@ERn	43
2.7.3	Register Indirect with Displacement—@(d:16, ERn) or @(d:32, ERn)	44
2.7.4	Register Indirect with Post-Increment or Pre-Decrement—@ERn+ or @-ERn	44
2.7.5	Absolute Address—@aa:8, @aa:16, @aa:24, or @aa:32	44

2.7.6	Immediate—#xx:8, #xx:16, or #xx:32.....	45
2.7.7	Program-Counter Relative—@(d:8, PC) or @(d:16, PC) .....	45
2.7.8	Memory Indirect—@@aa:8 .....	45
2.7.9	Effective Address Calculation .....	46
2.8	Processing States.....	49
2.9	Usage Note.....	51
2.9.1	Notes on Using the Bit Operation Instruction.....	51
Section 3 MCU Operating Modes .....		53
3.1	Operating Mode Selection .....	53
3.2	Register Descriptions.....	54
3.2.1	Mode Control Register (MDCR) .....	54
3.2.2	System Control Register (SYSCR).....	55
3.3	Operating Mode Descriptions .....	56
3.3.1	Mode 4.....	56
3.3.2	Mode 5.....	56
3.3.3	Mode 6.....	56
3.3.4	Mode 7.....	56
3.4	Pin Functions in Each Operating Mode .....	57
3.5	Address Map.....	58
Section 4 Exception Handling .....		59
4.1	Exception Handling Types and Priority .....	59
4.2	Exception Sources and Exception Vector Table .....	60
4.3	Reset .....	61
4.3.1	Reset Exception Handling .....	61
4.3.2	Interrupts after Reset.....	64
4.3.3	State of On-Chip Peripheral Modules after Reset Release .....	64
4.4	Traces.....	64
4.5	Interrupts.....	65
4.6	Trap Instruction.....	66
4.7	Stack Status after Exception Handling.....	67
4.8	Usage Note.....	68
Section 5 Interrupt Controller.....		69
5.1	Features.....	69
5.2	Input/Output Pins.....	71
5.3	Register Descriptions.....	72
5.3.1	Interrupt Priority Registers A to H, J, K, M, and O (IPRA to IPRH, IPRJ, IPRK, IPRM, and IPRO) .....	73

5.3.2	IRQ Enable Register (IER) .....	74
5.3.3	IRQ Sense Control Registers H and L (ISCRH, ISCRL).....	75
5.3.4	IRQ Status Register (ISR).....	77
5.4	Interrupt Sources .....	78
5.4.1	External Interrupts .....	78
5.4.2	Internal Interrupts .....	79
5.5	Interrupt Exception Handling Vector Table.....	79
5.6	Interrupt Control Modes and Interrupt Operation .....	83
5.6.1	Interrupt Control Mode 0.....	83
5.6.2	Interrupt Control Mode 2.....	85
5.6.3	Interrupt Exception Handling Sequence .....	87
5.6.4	Interrupt Response Times .....	89
5.6.5	DTC Activation by Interrupt.....	90
5.7	Usage Notes .....	91
5.7.1	Conflict between Interrupt Generation and Disabling .....	91
5.7.2	Instructions that Disable Interrupts .....	92
5.7.3	When Interrupts Are Disabled .....	92
5.7.4	Interrupts during Execution of EEPMOV Instruction.....	92
Section 6 PC Break Controller (PBC) .....		93
6.1	Features.....	93
6.2	Register Descriptions .....	94
6.2.1	Break Address Register A (BARA).....	94
6.2.2	Break Address Register B (BARB) .....	95
6.2.3	Break Control Register A (BCRA) .....	95
6.2.4	Break Control Register B (BCRB).....	96
6.3	Operation .....	96
6.3.1	PC Break Interrupt Due to Instruction Fetch .....	96
6.3.2	PC Break Interrupt Due to Data Access.....	97
6.3.3	PC Break Operation at Consecutive Data Transfer.....	97
6.3.4	Operation in Transitions to Power-Down Modes .....	97
6.3.5	When Instruction Execution Is Delayed by One State .....	99
6.4	Usage Notes .....	100
6.4.1	Module Stop Mode Setting .....	100
6.4.2	PC Break Interrupts .....	100
6.4.3	CMFA and CMFB .....	100
6.4.4	PC Break Interrupt when DTC Is Bus Master .....	100
6.4.5	PC Break Set for Instruction Fetch at Address Following BSR, JSR, JMP, TRAPA, RTE, or RTS Instruction .....	100
6.4.6	I Bit Set by LDC, ANDC, ORC, or XORC Instruction .....	100

6.4.7	PC Break Set for Instruction Fetch at Address Following Bcc Instruction.....	101
6.4.8	PC Break Set for Instruction Fetch at Branch Destination Address of Bcc Instruction .....	101
<b>Section 7 Bus Controller (BSC) .....</b>		<b>103</b>
7.1	Features.....	103
7.2	Input/Output Pins.....	105
7.3	Register Descriptions.....	105
7.3.1	Bus Width Control Register (ABWCR) .....	106
7.3.2	Access State Control Register (ASTCR) .....	106
7.3.3	Wait Control Registers H and L (WCRH and WCRL).....	107
7.3.4	Bus Control Register H (BCRH) .....	109
7.3.5	Bus Control Register L (BCRL) .....	110
7.3.6	Pin Function Control Register (PFCR).....	111
7.4	Bus Control.....	112
7.4.1	Area Division.....	112
7.4.2	Bus Specifications .....	113
7.4.3	Memory Interfaces.....	114
7.5	Basic Bus Interface .....	115
7.5.1	Data Size and Data Alignment.....	115
7.5.2	Valid Strokes .....	117
7.5.3	Basic Timing.....	118
7.5.4	Wait Control .....	125
7.6	Burst ROM Interface .....	127
7.6.1	Basic Timing.....	127
7.6.2	Wait Control .....	129
7.6.3	Write Access.....	129
7.7	Idle Cycle.....	130
7.7.1	Operation .....	130
7.7.2	Pin States in Idle Cycle.....	132
7.8	Write Data Buffer Function .....	133
7.9	Bus Arbitration .....	134
7.9.1	Operation .....	134
7.9.2	Bus Transfer Timing.....	134
7.10	Bus Controller Operation in Reset.....	135
<b>Section 8 Data Transfer Controller (DTC).....</b>		<b>137</b>
8.1	Features.....	137
8.2	Register Descriptions.....	139
8.2.1	DTC Mode Register A (MRA) .....	140

8.2.2	DTC Mode Register B (MRB).....	141
8.2.3	DTC Source Address Register (SAR).....	142
8.2.4	DTC Destination Address Register (DAR).....	142
8.2.5	DTC Transfer Count Register A (CRA) .....	142
8.2.6	DTC Transfer Count Register B (CRB).....	142
8.2.7	DTC Enable Registers A to G, and I (DTCERA to DTCERG, and DTCERI) .....	143
8.2.8	DTC Vector Registers A to G (DTVECRA to DTVECRG).....	144
8.3	Activation Sources .....	145
8.4	Location of Register Information and DTC Vector Table .....	146
8.5	Operation .....	149
8.5.1	Normal Mode.....	150
8.5.2	Repeat Mode .....	151
8.5.3	Block Transfer Mode .....	152
8.5.4	Chain Transfer .....	154
8.5.5	Interrupts.....	155
8.5.6	Operation Timing.....	155
8.5.7	Number of DTC Execution States .....	156
8.6	Procedures for Using DTC.....	158
8.6.1	Activation by Interrupt.....	158
8.6.2	Activation by Software .....	158
8.7	Examples of Use of the DTC .....	159
8.7.1	Normal Mode.....	159
8.7.2	Chain Transfer .....	160
8.7.3	Software Activation .....	161
8.8	Usage Notes .....	162
8.8.1	Module Stop Mode Setting .....	162
8.8.2	On-Chip RAM .....	162
8.8.3	DTCE Bit Setting.....	162
Section 9 I/O Ports .....		163
9.1	Port 1 .....	168
9.1.1	Port 1 Data Direction Register (P1DDR).....	168
9.1.2	Port 1 Data Register (P1DR).....	169
9.1.3	Port 1 Register (PORT1).....	169
9.1.4	Pin Functions .....	170
9.2	Port 2.....	178
9.2.1	Port 2 Data Direction Register (P2DDR).....	178
9.2.2	Port 2 Data Register (P2DR).....	179
9.2.3	Port 2 Register (PORT2).....	179
9.2.4	Pin Functions .....	180

9.3	Port 3.....	188
9.3.1	Port 3 Data Direction Register (P3DDR).....	188
9.3.2	Port 3 Data Register (P3DR) .....	189
9.3.3	Port 3 Register (PORT3).....	189
9.3.4	Port 3 Open-Drain Control Register (P3ODR) .....	190
9.3.5	Pin Functions .....	190
9.4	Port 4.....	193
9.4.1	Port 4 Register (PORT4).....	193
9.4.2	Pin Functions .....	193
9.5	Port 5.....	194
9.5.1	Port 5 Data Direction Register (P5DDR).....	194
9.5.2	Port 5 Data Register (P5DR) .....	194
9.5.3	Port 5 Register (PORT5).....	195
9.5.4	Pin Functions .....	195
9.6	Port 9.....	196
9.6.1	Port 9 Register (PORT9).....	196
9.6.2	Pin Functions .....	196
9.7	Port A.....	197
9.7.1	Port A Data Direction Register (PADDR).....	197
9.7.2	Port A Data Register (PADR).....	198
9.7.3	Port A Register (PORTA).....	198
9.7.4	Port A Pull-Up MOS Control Register (PAPCR) .....	199
9.7.5	Port A Open-Drain Control Register (PAODR) .....	199
9.7.6	Pin Functions .....	200
9.7.7	MOS Input Pull-Up Function .....	201
9.8	Port B.....	202
9.8.1	Port B Data Direction Register (PBDDR) .....	202
9.8.2	Port B Data Register (PBDR) .....	203
9.8.3	Port B Register (PORTB) .....	203
9.8.4	Port B Pull-Up MOS Control Register (PBPCR) .....	204
9.8.5	Port B Open-Drain Control Register (PBODR).....	204
9.8.6	Pin Functions .....	205
9.8.7	MOS Input Pull-Up Function .....	205
9.9	Port C.....	206
9.9.1	Port C Data Direction Register (PCDDR) .....	206
9.9.2	Port C Data Register (PCDR) .....	207
9.9.3	Port C Register (PORTC) .....	207
9.9.4	Port C Pull-Up MOS Control Register (PCPCR) .....	208
9.9.5	Port C Open-Drain Control Register (PCODR).....	208
9.9.6	Pin Functions .....	209

9.9.7	MOS Input Pull-Up Function.....	209
9.10	Port D.....	210
9.10.1	Port D Data Direction Register (PDDDR).....	210
9.10.2	Port D Data Register (PDDR).....	211
9.10.3	Port D Register (PORTD).....	211
9.10.4	Port D Pull-Up MOS Control Register (PDPCR).....	212
9.10.5	Pin Functions .....	212
9.10.6	MOS Input Pull-Up Function.....	213
9.11	Port E.....	214
9.11.1	Port E Data Direction Register (PEDDR).....	214
9.11.2	Port E Data Register (PEDR).....	215
9.11.3	Port E Register (PORTE).....	215
9.11.4	Port E Pull-Up MOS Control Register (PEPCR).....	216
9.11.5	Pin Functions .....	216
9.11.6	MOS Input Pull-Up Function.....	217
9.12	Port F.....	218
9.12.1	Port F Data Direction Register (PFDDR).....	218
9.12.2	Port F Data Register (PFDR).....	219
9.12.3	Port F Register (PORTF).....	219
9.12.4	Pin Functions .....	220
9.13	Port H.....	223
9.13.1	Port H Data Direction Register (PHDDR).....	223
9.13.2	Port H Data Register (PHDR).....	224
9.13.3	Port H Register (PORTH).....	224
9.13.4	Pin Functions .....	225
9.14	Port J.....	225
9.14.1	Port J Data Direction Register (PJDDR).....	225
9.14.2	Port J Data Register (PJDR).....	226
9.14.3	Port J Register (PORTJ).....	226
9.14.4	Pin Functions .....	227
9.15	Port K.....	227
9.15.1	Port K Data Direction Register (PKDDR).....	227
9.15.2	Port K Data Register (PKDR).....	228
9.15.3	Port K Register (PORTK).....	228
9.15.4	Pin Functions .....	228
Section 10 16-Bit Timer Pulse Unit (TPU) .....		229
10.1	Features.....	229
10.2	Input/Output Pins.....	234
10.3	Register Descriptions .....	235

10.3.1	Timer Control Register (TCR).....	237
10.3.2	Timer Mode Register (TMDR).....	242
10.3.3	Timer I/O Control Register (TIOR).....	244
10.3.4	Timer Interrupt Enable Register (TIER).....	261
10.3.5	Timer Status Register (TSR).....	263
10.3.6	Timer Counter (TCNT).....	266
10.3.7	Timer General Register (TGR).....	266
10.3.8	Timer Start Register (TSTR).....	266
10.3.9	Timer Synchro Register (TSYR).....	267
10.4	Operation.....	268
10.4.1	Basic Functions.....	268
10.4.2	Synchronous Operation.....	274
10.4.3	Buffer Operation.....	276
10.4.4	Cascaded Operation.....	280
10.4.5	PWM Modes.....	282
10.4.6	Phase Counting Mode.....	287
10.5	Interrupt Sources.....	293
10.6	DTC Activation.....	295
10.7	A/D Converter Activation.....	295
10.8	Operation Timing.....	296
10.8.1	Input/Output Timing.....	296
10.8.2	Interrupt Signal Timing.....	300
10.9	Usage Notes.....	304
10.9.1	Module Stop Mode Setting.....	304
10.9.2	Input Clock Restrictions.....	304
10.9.3	Caution on Period Setting.....	305
10.9.4	Conflict between TCNT Write and Clear Operations.....	305
10.9.5	Conflict between TCNT Write and Increment Operations.....	306
10.9.6	Conflict between TGR Write and Compare Match.....	307
10.9.7	Conflict between Buffer Register Write and Compare Match.....	308
10.9.8	Conflict between TGR Read and Input Capture.....	309
10.9.9	Conflict between TGR Write and Input Capture.....	310
10.9.10	Conflict between Buffer Register Write and Input Capture.....	311
10.9.11	Conflict between Overflow/Underflow and Counter Clearing.....	312
10.9.12	Conflict between TCNT Write and Overflow/Underflow.....	313
10.9.13	Multiplexing of I/O Pins.....	313
10.9.14	Interrupts in Module Stop Mode.....	313



Section 11	Programmable Pulse Generator (PPG)	315
11.1	Features	315
11.2	Input/Output Pins	317
11.3	Register Descriptions	317
11.3.1	Next Data Enable Registers H, L (NDERH, NDERL)	318
11.3.2	Output Data Registers H, L (PODRH, PODRL)	319
11.3.3	Next Data Registers H, L (NDRH, NDRL)	320
11.3.4	PPG Output Control Register (PCR)	323
11.3.5	PPG Output Mode Register (PMR)	324
11.4	Operation	325
11.4.1	Overview	325
11.4.2	Output Timing	326
11.4.3	Sample Setup Procedure for Normal Pulse Output	327
11.4.4	Example of Normal Pulse Output (Example of Five-Phase Pulse Output)	328
11.4.5	Non-Overlapping Pulse Output	329
11.4.6	Sample Setup Procedure for Non-Overlapping Pulse Output	331
11.4.7	Example of Non-Overlapping Pulse Output (Example of Four-Phase Complementary Non-Overlapping Output)	332
11.4.8	Inverted Pulse Output	334
11.4.9	Pulse Output Triggered by Input Capture	335
11.5	Usage Notes	336
11.5.1	Module Stop Mode Setting	336
11.5.2	Operation of Pulse Output Pins	336
Section 12	Watchdog Timer (WDT)	337
12.1	Features	337
12.2	Register Descriptions	339
12.2.1	Timer Counter (TCNT)	339
12.2.2	Timer Control/Status Register (TCSR)	339
12.2.3	Reset Control/Status Register (RSTCSR)	343
12.3	Operation	344
12.3.1	Watchdog Timer Mode	344
12.3.2	Interval Timer Mode	346
12.4	Interrupt Sources	346
12.5	Usage Notes	347
12.5.1	Notes on Register Access	347
12.5.2	Contention between Timer Counter (TCNT) Write and Increment	348
12.5.3	Changing Value of CKS2 to CKS0	348
12.5.4	Switching between Watchdog Timer Mode and Interval Timer Mode	348

12.5.5	Internal Reset in Watchdog Timer Mode.....	349
12.5.6	OVF Flag Clearing in Interval Timer Mode .....	349
<b>Section 13 Serial Communication Interface (SCI).....</b>		<b>351</b>
13.1	Features.....	351
13.2	Input/Output Pins.....	353
13.3	Register Descriptions.....	354
13.3.1	Receive Shift Register (RSR).....	354
13.3.2	Receive Data Register (RDR).....	354
13.3.3	Transmit Data Register (TDR).....	355
13.3.4	Transmit Shift Register (TSR).....	355
13.3.5	Serial Mode Register (SMR).....	355
13.3.6	Serial Control Register (SCR).....	358
13.3.7	Serial Status Register (SSR).....	361
13.3.8	Smart Card Mode Register (SCMR).....	365
13.3.9	Bit Rate Register (BRR).....	366
13.4	Operation in Asynchronous Mode.....	373
13.4.1	Data Transfer Format.....	373
13.4.2	Receive Data Sampling Timing and Reception Margin in Asynchronous Mode.....	375
13.4.3	Clock.....	376
13.4.4	SCI Initialization (Asynchronous Mode).....	377
13.4.5	Data Transmission (Asynchronous Mode).....	378
13.4.6	Serial Data Reception (Asynchronous Mode).....	380
13.5	Multiprocessor Communication Function.....	384
13.5.1	Multiprocessor Serial Data Transmission.....	386
13.5.2	Multiprocessor Serial Data Reception.....	388
13.6	Operation in Clocked Synchronous Mode.....	391
13.6.1	Clock.....	391
13.6.2	SCI Initialization (Clocked Synchronous Mode).....	392
13.6.3	Serial Data Transmission (Clocked Synchronous Mode).....	393
13.6.4	Serial Data Reception (Clocked Synchronous Mode).....	396
13.6.5	Simultaneous Serial Data Transmission and Reception (Clocked Synchronous Mode).....	398
13.7	Operation in Smart Card Interface.....	400
13.7.1	Pin Connection Example.....	400
13.7.2	Data Format (Except for Block Transfer Mode).....	401
13.7.3	Block Transfer Mode.....	402
13.7.4	Receive Data Sampling Timing and Reception Margin in Smart Card Interface Mode.....	403

13.7.5	Initialization .....	404
13.7.6	Data Transmission (Except for Block Transfer Mode) .....	405
13.7.7	Serial Data Reception (Except for Block Transfer Mode) .....	408
13.7.8	Clock Output Control .....	410
13.8	Interrupt Sources .....	412
13.8.1	Interrupts in Normal Serial Communication Interface Mode .....	412
13.8.2	Interrupts in Smart Card Interface Mode .....	413
13.9	Usage Notes .....	414
13.9.1	Module Stop Mode Setting .....	414
13.9.2	Break Detection and Processing .....	414
13.9.3	Mark State and Break Detection .....	414
13.9.4	Receive Error Flags and Transmit Operations (Clocked Synchronous Mode Only) .....	414
13.9.5	Restrictions on Using DTC .....	415
13.9.6	SCI Operations during Mode Transitions .....	415
13.9.7	Notes when Switching from SCK Pin to Port Pin .....	419
Section 14 Controller Area Network (HCAN) .....		421
14.1	Features .....	421
14.2	Input/Output Pins .....	423
14.3	Register Descriptions .....	424
14.3.1	Master Control Register (MCR) .....	425
14.3.2	General Status Register (GSR) .....	426
14.3.3	Bit Configuration Register (BCR) .....	427
14.3.4	Mailbox Configuration Register (MBCR) .....	430
14.3.5	Transmit Wait Register (TXPR) .....	431
14.3.6	Transmit Wait Cancel Register (TXCR) .....	432
14.3.7	Transmit Acknowledge Register (TXACK) .....	433
14.3.8	Abort Acknowledge Register (ABACK) .....	434
14.3.9	Receive Complete Register (RXPR) .....	435
14.3.10	Remote Request Register (RFPR) .....	436
14.3.11	Interrupt Register (IRR) .....	437
14.3.12	Mailbox Interrupt Mask Register (MBIMR) .....	441
14.3.13	Interrupt Mask Register (IMR) .....	442
14.3.14	Receive Error Counter (REC) .....	443
14.3.15	Transmit Error Counter (TEC) .....	443
14.3.16	Unread Message Status Register (UMSR) .....	444
14.3.17	Local Acceptance Filter Masks (LAFML, LAFMH) .....	444
14.3.18	Message Control (MC0 to MC15) .....	447
14.3.19	Message Data (MD0 to MD15) .....	449

14.3.20	HCAN Monitor Register (HCANMON).....	450
14.4	Operation .....	451
14.4.1	Hardware and Software Resets .....	451
14.4.2	Initialization after Hardware Reset .....	451
14.4.3	Message Transmission.....	457
14.4.4	Message Reception .....	461
14.4.5	HCAN Sleep Mode.....	464
14.4.6	HCAN Halt Mode.....	467
14.5	Interrupt Sources.....	468
14.6	DTC Interface .....	469
14.7	CAN Bus Interface.....	470
14.8	Usage Notes .....	471
14.8.1	Module Stop Mode Setting .....	471
14.8.2	Reset .....	471
14.8.3	HCAN Sleep Mode.....	471
14.8.4	Interrupts.....	471
14.8.5	Error Counters .....	472
14.8.6	Register Access.....	472
14.8.7	HCAN Medium-Speed Mode .....	472
14.8.8	Register Hold in Standby Modes .....	472
14.8.9	Use on Bit Manipulation Instructions .....	472
14.8.10	HCAN TXCR Operation .....	473
14.8.11	HCAN Transmit Procedure .....	474
14.8.12	Note on Releasing the HCAN Reset or HCAN Sleep.....	474
14.8.13	Note on Accessing Mailbox during the HCAN Sleep .....	474
 Section 15 A/D Converter .....		 475
15.1	Features.....	475
15.2	Input/Output Pins.....	477
15.3	Register Description .....	478
15.3.1	A/D Data Registers A to D (ADDRA to ADDRD) .....	478
15.3.2	A/D Control/Status Register (ADCSR) .....	479
15.3.3	A/D Control Register (ADCR) .....	481
15.4	Operation .....	482
15.4.1	Single Mode.....	482
15.4.2	Scan Mode .....	482
15.4.3	Input Sampling and A/D Conversion Time .....	483
15.4.4	External Trigger Input Timing.....	485
15.5	Interrupt Source .....	485
15.6	A/D Conversion Accuracy Definitions .....	486

15.7	Usage Notes .....	488
15.7.1	Module Stop Mode Setting .....	488
15.7.2	Permissible Signal Source Impedance .....	488
15.7.3	Influences on Absolute Accuracy .....	488
15.7.4	Range of Analog Power Supply and Other Pin Settings .....	489
15.7.5	Notes on Board Design .....	489
15.7.6	Notes on Noise Countermeasures .....	490
<b>Section 16 Motor Control PWM Timer (PWM).....</b>		<b>493</b>
16.1	Features .....	493
16.2	Input/Output Pins .....	495
16.3	Register Descriptions .....	496
16.3.1	PWM Control Register (PWCR) .....	497
16.3.2	PWM Output Control Register (PWOCR).....	498
16.3.3	PWM Polarity Register (PWPR).....	499
16.3.4	PWM Counter (PWCNT) .....	499
16.3.5	PWM Cycle Register (PWCYR).....	499
16.3.6	PWM Duty Registers A, C, E, G (PWDTRA, PWDTRC, PWDTRE, PWDTRG) .....	500
16.3.7	PWM Buffer Registers A, C, E, G (PWBFR A, PWBFR C, PWBFR E, PWBFR G).....	503
16.3.8	PWM Buffer Transfer Control Register (PWBTCR).....	504
16.4	Bus Master Interface .....	505
16.4.1	16-Bit Data Registers .....	505
16.4.2	8-Bit Data Registers .....	505
16.5	Operation .....	506
16.5.1	PWM Operation .....	506
16.5.2	Buffer Transfer Control .....	507
16.6	Usage Note.....	508
<b>Section 17 LCD Controller/Driver .....</b>		<b>509</b>
17.1	Features .....	509
17.2	Input/Output Pins .....	511
17.3	Register Descriptions .....	512
17.3.1	LCD Port Control Register (LPCR).....	512
17.3.2	LCD Control Register (LCR).....	515
17.3.3	LCD Control Register 2 (LCR2).....	517
17.4	Operation .....	518
17.4.1	Settings up to LCD Display .....	518
17.4.2	Relationship between LCD RAM and Display .....	520

17.4.3	Operation in Power-Down Modes .....	525
17.4.4	Boosting the LCD Drive Power Supply .....	526
<b>Section 18 RAM .....</b>		<b>527</b>
<b>Section 19 ROM .....</b>		<b>529</b>
19.1	Features .....	529
19.2	Mode Transitions .....	530
19.3	Block Configuration .....	534
19.4	Input/Output Pins .....	536
19.5	Register Descriptions .....	536
19.5.1	Flash Memory Control Register 1 (FLMCR1) .....	537
19.5.2	Flash Memory Control Register 2 (FLMCR2) .....	538
19.5.3	Erase Block Register 1 (EBR1) .....	539
19.5.4	Erase Block Register 2 (EBR2) .....	540
19.5.5	RAM Emulation Register (RAMER) .....	540
19.5.6	Flash Memory Power Control Register (FLPWCR) .....	541
19.6	On-Board Programming Modes .....	542
19.6.1	Boot Mode .....	542
19.6.2	Programming/Erasing in User Program Mode .....	545
19.7	Flash Memory Emulation in RAM .....	546
19.8	Flash Memory Programming/Erasing .....	549
19.8.1	Program/Program-Verify .....	549
19.8.2	Erase/Erase-Verify .....	551
19.8.3	Interrupt Handling when Programming/Erasing Flash Memory .....	551
19.9	Program/Erase Protection .....	553
19.9.1	Hardware Protection .....	553
19.9.2	Software Protection .....	553
19.9.3	Error Protection .....	553
19.10	Interrupt Handling when Programming/Erasing Flash Memory .....	554
19.11	Programmer Mode .....	554
19.12	Power-Down States for Flash Memory .....	555
19.13	Usage Notes .....	556
<b>Section 20 Clock Pulse Generator .....</b>		<b>559</b>
20.1	Register Descriptions .....	560
20.1.1	System Clock Control Register (SCKCR) .....	560
20.2	Oscillator .....	562
20.2.1	Connecting a Crystal Resonator .....	562
20.2.2	External Clock Input .....	563

20.3	PLL Circuit .....	565
20.4	Medium-Speed Clock Divider .....	565
20.5	Bus Master Clock Selection Circuit.....	565
20.6	Subclock Oscillator .....	566
	20.6.1 Connecting 32.768-kHz Crystal Resonator.....	566
	20.6.2 Handling Pins when Subclock is not Used .....	567
20.7	Subclock Waveform Generation Circuit.....	567
20.8	Usage Notes .....	567
	20.8.1 Note on Crystal Resonator .....	567
	20.8.2 Note on Board Design.....	568
 Section 21 Power-Down Modes .....		 569
21.1	Register Descriptions .....	573
	21.1.1 Standby Control Register (SBYCR) .....	573
	21.1.2 Low-Power Control Register (LPWRCR) .....	576
	21.1.3 Module Stop Control Registers A to D (MSTPCRA to MSTPCRD) .....	578
21.2	Medium-Speed Mode.....	580
21.3	Sleep Mode .....	581
21.4	Software Standby Mode.....	582
21.5	Hardware Standby Mode .....	584
21.6	Watch Mode.....	585
21.7	Subsleep Mode.....	586
21.8	Subactive Mode .....	586
21.9	Module Stop Mode .....	587
21.10	Direct Transitions.....	588
	21.10.1 Overview of Direct Transitions .....	588
21.11	$\phi$ Clock Output Disabling Function .....	588
21.12	Usage Notes .....	589
	21.12.1 I/O Port Status.....	589
	21.12.2 Current Consumption during Oscillation Stabilization Wait Period.....	589
	21.12.3 DTC Module Stop Setting .....	589
	21.12.4 On-Chip Peripheral Module Interrupts .....	589
	21.12.5 Writing to MSTPCR .....	589
 Section 22 List of Registers .....		 591
22.1	Register Addresses (Address Order).....	592
22.2	Register Bits.....	620
22.3	Register States in Each Operating Mode .....	648

Section 23 Electrical Characteristics [Preliminary] .....	675
23.1 Absolute Maximum Ratings .....	675
23.2 DC Characteristics .....	676
23.3 AC Characteristics .....	681
23.3.1 Clock Timing .....	682
23.3.2 Control Signal Timing .....	683
23.3.3 Bus Timing .....	685
23.3.4 Timing of On-Chip Peripheral Modules .....	691
23.4 A/D Conversion Characteristics .....	696
23.5 LCD Characteristics .....	697
23.6 Flash Memory Characteristics .....	698
 Appendix .....	 701
A. I/O Port States in Each Operating State .....	701
B. Product Code Lineup .....	706
C. Package Dimensions .....	707
 Main Revisions and Additions in this Edition .....	 709
 Index .....	 719



# Figures

## Section 1 Overview

Figure 1.1	Internal Block Diagram .....	2
Figure 1.2	Pin Assignments (FP-144G).....	3

## Section 2 CPU

Figure 2.1	Exception Vector Table (Normal Mode).....	19
Figure 2.2	Stack Structure in Normal Mode.....	19
Figure 2.3	Exception Vector Table (Advanced Mode).....	20
Figure 2.4	Stack Structure in Advanced Mode.....	21
Figure 2.5	Memory Map.....	22
Figure 2.6	CPU Registers .....	23
Figure 2.7	Usage of General Registers .....	24
Figure 2.8	Stack.....	25
Figure 2.9	General Register Data Formats (1).....	28
Figure 2.9	General Register Data Formats (2).....	29
Figure 2.10	Memory Data Formats.....	30
Figure 2.11	Instruction Formats (Examples) .....	42
Figure 2.12	Branch Address Specification in Memory Indirect Mode .....	46
Figure 2.13	State Transitions.....	50

## Section 3 MCU Operating Modes

Figure 3.1	Address Map .....	58
------------	-------------------	----

## Section 4 Exception Handling

Figure 4.1	Reset Sequence (Advanced Mode with On-chip ROM Enabled).....	62
Figure 4.2	Reset Sequence (Advanced Mode with On-chip ROM Disabled).....	63
Figure 4.3	Stack Status after Exception Handling .....	67
Figure 4.4	Operation when SP Value Is Odd.....	68

## Section 5 Interrupt Controller

Figure 5.1	Block Diagram of Interrupt Controller.....	70
Figure 5.2	Block Diagram of Interrupts IRQ0 to IRQ5.....	78
Figure 5.3	Flowchart of Procedure up to Interrupt Acceptance in Interrupt Control Mode 0.....	84
Figure 5.4	Flowchart of Procedure Up to Interrupt Acceptance in Control Mode 2.....	86
Figure 5.5	Interrupt Exception Handling .....	88
Figure 5.6	Conflict between Interrupt Generation and Disabling.....	91

## Section 6 PC Break Controller (PBC)

Figure 6.1	Block Diagram of PC Break Controller .....	94
Figure 6.2	Operation in Power-Down Mode Transitions.....	98

## Section 7 Bus Controller (BSC)

Figure 7.1	Block Diagram of Bus Controller.....	104
Figure 7.2	Area Divisions.....	112
Figure 7.3	Access Sizes and Data Alignment Control (8-Bit Access Space).....	115
Figure 7.4	Access Sizes and Data Alignment Control (16-bit Access Space).....	116
Figure 7.5	Bus Timing for 8-Bit, 2-State Access Space.....	118
Figure 7.6	Bus Timing for 8-Bit, 3-State Access Space.....	119
Figure 7.7	Bus Timing for 16-Bit, 2-State Access Space (Even Address Byte Access).....	120
Figure 7.8	Bus Timing for 16-Bit, 2-State Access Space (Odd Address Byte Access).....	121
Figure 7.9	Bus Timing for 16-Bit, 2-State Access Space (Word Access).....	122
Figure 7.10	Bus Timing for 16-Bit, 3-State Access Space (Even Address Byte Access).....	123
Figure 7.11	Bus Timing for 16-Bit, 3-State Access Space (Odd Address Byte Access).....	124
Figure 7.12	Bus Timing for 16-Bit, 3-State Access Space (Word Access).....	125
Figure 7.13	Example of Wait State Insertion Timing.....	126
Figure 7.14	Example of Burst ROM Access Timing (AST0 = 1 and BRSTS0 = 1).....	128
Figure 7.15	Example of Burst ROM Access Timing (AST0 = 0 and BRSTS1 = 0).....	129
Figure 7.16	Example of Idle Cycle Operation (Consecutive Reads in Different Areas).....	130
Figure 7.17	Example of Idle Cycle Operation (Write after Read).....	131
Figure 7.18	Relationship between Chip Select ( $\overline{CS}$ ) and Read ( $\overline{RD}$ ).....	132
Figure 7.19	Example of Timing when Write Data Buffer Function is Used.....	133

## Section 8 Data Transfer Controller (DTC)

Figure 8.1	Block Diagram of DTC.....	138
Figure 8.2	Block Diagram of DTC Activation Source Control.....	145
Figure 8.3	Location of DTC Register Information in Address Space.....	146
Figure 8.4	Flowchart of DTC Operation.....	149
Figure 8.5	Memory Mapping in Normal Mode.....	150
Figure 8.6	Memory Mapping in Repeat Mode.....	151
Figure 8.7	Memory Mapping in Block Transfer Mode.....	153
Figure 8.8	Chain Transfer Operation.....	154
Figure 8.9	DTC Operation Timing (Example in Normal Mode or Repeat Mode).....	155
Figure 8.10	DTC Operation Timing (Example of Block Transfer Mode, with Block Size of 2).....	156
Figure 8.11	DTC Operation Timing (Example of Chain Transfer).....	156

## Section 10 16-Bit Timer Pulse Unit (TPU)

Figure 10.1	Block Diagram of TPU.....	233
Figure 10.2	Example of Counter Operation Setting Procedure.....	268
Figure 10.3	Free-Running Counter Operation.....	269
Figure 10.4	Periodic Counter Operation.....	270
Figure 10.5	Example of Setting Procedure for Waveform Output by Compare Match.....	270

Figure 10.6	Example of 0 Output/1 Output Operation .....	271
Figure 10.7	Example of Toggle Output Operation .....	271
Figure 10.8	Example of Input Capture Operation Setting Procedure .....	272
Figure 10.9	Example of Input Capture Operation.....	273
Figure 10.10	Example of Synchronous Operation Setting Procedure .....	274
Figure 10.11	Example of Synchronous Operation.....	275
Figure 10.12	Compare Match Buffer Operation.....	276
Figure 10.13	Input Capture Buffer Operation.....	277
Figure 10.14	Example of Buffer Operation Setting Procedure.....	277
Figure 10.15	Example of Buffer Operation (1).....	278
Figure 10.16	Example of Buffer Operation (2).....	279
Figure 10.17	Cascaded Operation Setting Procedure .....	280
Figure 10.18	Example of Cascaded Operation (1).....	281
Figure 10.19	Example of Cascaded Operation (2).....	281
Figure 10.20	Example of PWM Mode Setting Procedure .....	284
Figure 10.21	Example of PWM Mode Operation (1) .....	285
Figure 10.22	Example of PWM Mode Operation (2) .....	285
Figure 10.23	Example of PWM Mode Operation (3) .....	286
Figure 10.24	Example of Phase Counting Mode Setting Procedure.....	287
Figure 10.25	Example of Phase Counting Mode 1 Operation .....	288
Figure 10.26	Example of Phase Counting Mode 2 Operation .....	289
Figure 10.27	Example of Phase Counting Mode 3 Operation .....	290
Figure 10.28	Example of Phase Counting Mode 4 Operation .....	291
Figure 10.29	Phase Counting Mode Application Example.....	293
Figure 10.30	Count Timing in Internal Clock Operation.....	296
Figure 10.31	Count Timing in External Clock Operation.....	296
Figure 10.32	Output Compare Output Timing .....	297
Figure 10.33	Input Capture Input Signal Timing.....	297
Figure 10.34	Counter Clear Timing (Compare Match) .....	298
Figure 10.35	Counter Clear Timing (Input Capture).....	298
Figure 10.36	Buffer Operation Timing (Compare Match).....	299
Figure 10.37	Buffer Operation Timing (Input Capture) .....	299
Figure 10.38	TGI Interrupt Timing (Compare Match) .....	300
Figure 10.39	TGI Interrupt Timing (Input Capture).....	301
Figure 10.40	TCIV Interrupt Setting Timing.....	301
Figure 10.41	TCIU Interrupt Setting Timing.....	302
Figure 10.42	Timing for Status Flag Clearing by CPU .....	303
Figure 10.43	Timing for Status Flag Clearing by DTC Activation .....	303
Figure 10.44	Phase Difference, Overlap, and Pulse Width in Phase Counting Mode .....	304
Figure 10.45	Conflict between TCNT Write and Clear Operations .....	305

Figure 10.46	Conflict between TCNT Write and Increment Operations	306
Figure 10.47	Conflict between TGR Write and Compare Match	307
Figure 10.48	Conflict between Buffer Register Write and Compare Match	308
Figure 10.49	Conflict between TGR Read and Input Capture	309
Figure 10.50	Conflict between TGR Write and Input Capture	310
Figure 10.51	Conflict between Buffer Register Write and Input Capture	311
Figure 10.52	Conflict between Overflow and Counter Clearing	312
Figure 10.53	Conflict between TCNT Write and Overflow	313

## Section 11 Programmable Pulse Generator (PPG)

Figure 11.1	Block Diagram of PPG	316
Figure 11.2	PPG Output Operation	325
Figure 11.3	Timing of Transfer and Output of NDR Contents (Example)	326
Figure 11.4	Setup Procedure for Normal Pulse Output (Example)	327
Figure 11.5	Normal Pulse Output Example (Five-Phase Pulse Output)	328
Figure 11.6	Non-Overlapping Pulse Output	329
Figure 11.7	Non-Overlapping Operation and NDR Write Timing	330
Figure 11.8	Setup Procedure for Non-Overlapping Pulse Output (Example)	331
Figure 11.9	Non-Overlapping Pulse Output Example (Four-Phase Complementary)	332
Figure 11.10	Inverted Pulse Output (Example)	334
Figure 11.11	Pulse Output Triggered by Input Capture (Example)	335

## Section 12 Watchdog Timer (WDT)

Figure 12.1	Block Diagram of WDT_0	338
Figure 12.2	Block Diagram of WDT_1	338
Figure 12.3	(a) WDT_0 Operation in Watchdog Timer Mode	345
Figure 12.3	(b) WDT_1 Operation in Watchdog Timer Mode	345
Figure 12.4	Writing to TCNT, TCSR, and RSTCSR (example for WDT0)	347
Figure 12.5	Contention between TCNT Write and Increment	348

## Section 13 Serial Communication Interface (SCI)

Figure 13.1	Block Diagram of SCI	352
Figure 13.2	Data Format in Asynchronous Communication (Example with 8-Bit Data, Parity, Two Stop Bits)	373
Figure 13.3	Receive Data Sampling Timing in Asynchronous Mode	375
Figure 13.4	Relationship between Output Clock and Transfer Data Phase (Asynchronous Mode)	376
Figure 13.5	Sample SCI Initialization Flowchart	377
Figure 13.6	Example of Operation in Transmission in Asynchronous Mode (Example with 8-Bit Data, Parity, One Stop Bit)	378
Figure 13.7	Sample Serial Transmission Flowchart	379

Figure 13.8	Example of SCI Operation in Reception (Example with 8-Bit Data, Parity, One Stop Bit) .....	380
Figure 13.9	Sample Serial Reception Data Flowchart (1) .....	382
Figure 13.9	Sample Serial Reception Data Flowchart (2) .....	383
Figure 13.10	Example of Communication Using Multiprocessor Format (Transmission of Data H'AA to Receiving Station A) .....	385
Figure 13.11	Sample Multiprocessor Serial Transmission Flowchart .....	387
Figure 13.12	Example of SCI Operation in Reception (Example with 8-Bit Data, Multiprocessor Bit, One Stop Bit).....	388
Figure 13.13	Sample Multiprocessor Serial Reception Flowchart (1).....	389
Figure 13.13	Sample Multiprocessor Serial Reception Flowchart (2).....	390
Figure 13.14	Data Format in Synchronous Communication (For LSB-First) .....	391
Figure 13.15	Sample SCI Initialization Flowchart .....	392
Figure 13.16	Sample SCI Transmission Operation in Clocked Synchronous Mode .....	394
Figure 13.17	Sample Serial Transmission Flowchart .....	395
Figure 13.18	Example of SCI Operation in Reception .....	396
Figure 13.19	Sample Serial Reception Flowchart .....	397
Figure 13.20	Sample Flowchart of Simultaneous Serial Transmit and Receive Operations .....	399
Figure 13.21	Schematic Diagram of Smart Card Interface Pin Connections.....	400
Figure 13.22	Normal Smart Card Interface Data Format .....	401
Figure 13.23	Direct Convention ( $SDIR = SIN\bar{V} = O/\bar{E} = 0$ ) .....	401
Figure 13.24	Inverse Convention ( $SDIR = SIN\bar{V} = O/\bar{E} = 1$ ).....	402
Figure 13.25	Receive Data Sampling Timing in Smart Card Mode (Using Clock of 372 Times the Transfer Rate) .....	404
Figure 13.26	Retransfer Operation in SCI Transmit Mode.....	406
Figure 13.27	TEND Flag Generation Timing in Transmission Operation.....	406
Figure 13.28	Example of Transmission Processing Flow.....	407
Figure 13.29	Retransfer Operation in SCI Receive Mode .....	408
Figure 13.30	Example of Reception Processing Flow .....	409
Figure 13.31	Timing for Fixing Clock Output Level.....	410
Figure 13.32	Clock Halt and Restart Procedure .....	411
Figure 13.33	Sample Transmission using DTC in Clocked Synchronous Mode.....	415
Figure 13.34	Sample Flowchart for Mode Transition during Transmission.....	416
Figure 13.35	Pin States during Transmission in Asynchronous Mode (Internal Clock).....	417
Figure 13.36	Pin States during Transmission in Clocked Synchronous Mode (Internal Clock) .....	417
Figure 13.37	Sample Flowchart for Mode Transition during Reception .....	418
Figure 13.38	Operation when Switching from SCK Pin to Port Pin.....	419
Figure 13.39	Operation when Switching from SCK Pin to Port Pin (Example of Preventing Low-Level Output).....	420

## Section 14 Controller Area Network (HCAN)

Figure 14.1	HCAN Block Diagram .....	422
Figure 14.2	Message Control Register Configuration .....	447
Figure 14.3	Standard Format .....	447
Figure 14.4	Extended Format .....	447
Figure 14.5	Message Data Configuration .....	449
Figure 14.6	Hardware Reset Flowchart .....	452
Figure 14.7	Software Reset Flowchart .....	453
Figure 14.8	Detailed Description of One-Bit Time .....	454
Figure 14.9	Transmission Flowchart .....	457
Figure 14.10	Transmit Message Cancellation Flowchart .....	460
Figure 14.11	Reception Flowchart .....	461
Figure 14.12	Unread Message Overwrite Flowchart .....	464
Figure 14.13	HCAN Sleep Mode Flowchart .....	465
Figure 14.14	HCAN Halt Mode Flowchart .....	467
Figure 14.15	DTC Transfer Flowchart .....	469
Figure 14.16	High-Speed Interface Using PCA82C250 .....	470

## Section 15 A/D Converter

Figure 15.1	Block Diagram of A/D Converter .....	476
Figure 15.2	A/D Conversion Timing .....	483
Figure 15.3	External Trigger Input Timing .....	485
Figure 15.4	A/D Conversion Accuracy Definitions .....	487
Figure 15.5	A/D Conversion Accuracy Definitions .....	487
Figure 15.6	Example of Analog Input Circuit .....	489
Figure 15.7	Example of Analog Input Protection Circuit .....	490
Figure 15.8	Analog Input Pin Equivalent Circuit .....	491

## Section 16 Motor Control PWM Timer (PWM)

Figure 16.1	Block Diagram of PWM .....	494
Figure 16.2	Cycle Register Compare Match .....	500
Figure 16.3	Duty Register Compare Match (OPS = 0 in PWPR) .....	501
Figure 16.4	Differences in PWM Output According to Duty Register Set Value (OPS = 0 in PWPR) .....	502
Figure 16.5	16-Bit Register Access Operation (Bus Master ↔ PWCYR (16 Bits)) .....	505
Figure 16.6	8-Bit Register Access Operation (Bus Master ↔ PWCR (Upper Eight Bits)) .....	505
Figure 16.7	PWM Operation .....	506
Figure 16.8	Disabling Buffer Transfer .....	507
Figure 16.9	Conflict between Buffer Register Write and Compare Match .....	508

## **Section 17 LCD Controller/Driver**

Figure 17.1	Block Diagram of LCD Controller/Driver .....	510
Figure 17.2	Handling of LCD Drive Power Supply when Using 1/2 Duty .....	518
Figure 17.3	LCD RAM Map (1/4 Duty).....	520
Figure 17.4	LCD RAM Map (1/3 Duty).....	521
Figure 17.5	LCD RAM Map (1/2 Duty).....	521
Figure 17.6	LCD RAM Map (Static Mode).....	522
Figure 17.7	Output Waveforms for Each Duty Cycle (A Waveform).....	523
Figure 17.8	Output Waveforms for Each Duty Cycle (B Waveform).....	524
Figure 17.9	Connection of External Split-Resistance .....	526

## **Section 19 ROM**

Figure 19.1	Block Diagram of Flash Memory.....	530
Figure 19.2	Flash Memory State Transitions.....	531
Figure 19.3	Boot Mode.....	532
Figure 19.4	User Program Mode (Example).....	533
Figure 19.5	Flash Memory Block Configuration.....	535
Figure 19.6	Programming/Erasing Flowchart Example in User Program Mode.....	545
Figure 19.7	Flowchart for Flash Memory Emulation in RAM .....	546
Figure 19.8	Example of RAM Overlap Operation.....	548
Figure 19.9	Program/Program-Verify Flowchart.....	550
Figure 19.10	Erase/Erase-Verify Flowchart .....	552

## **Section 20 Clock Pulse Generator**

Figure 20.1	Block Diagram of Clock Pulse Generator .....	559
Figure 20.2	Connection of Crystal Resonator (Example).....	562
Figure 20.3	Crystal Resonator Equivalent Circuit.....	562
Figure 20.4	External Clock Input (Examples).....	563
Figure 20.5	External Clock Input Timing.....	564
Figure 20.6	Connection Example of 32.768-kHz Crystal Resonator.....	566
Figure 20.7	Equivalent Circuit for 32.768-kHz Crystal Resonator.....	566
Figure 20.8	Pin Handling when Subclock is not Used .....	567
Figure 20.9	Note on Board Design of Oscillator Circuit .....	568
Figure 20.10	External Circuitry Recommended for PLL Circuit.....	568

## **Section 21 Power-Down Modes**

Figure 21.1	Mode Transition Diagram .....	571
Figure 21.2	Medium-Speed Mode Transition and Clearance Timing .....	581
Figure 21.3	Software Standby Mode Application Example .....	583
Figure 21.4	Hardware Standby Mode Timing .....	584

## Section 23 Electrical Characteristics [Preliminary]

Figure 23.1	Output Load Circuit .....	681
Figure 23.2	System Clock Timing .....	682
Figure 23.3	Oscillator Settling Timing .....	683
Figure 23.4	Reset Input Timing .....	684
Figure 23.5	Interrupt Input Timing .....	684
Figure 23.6	Basic Bus Timing (Two-State Access) .....	686
Figure 23.7	Basic Bus Timing (Three-State Access) .....	687
Figure 23.8	Basic Bus Timing (Three-State Access with One Wait State) .....	688
Figure 23.9	Burst ROM Access Timing (Two-State Access) .....	689
Figure 23.10	Burst ROM Access Timing (Two-State Access) .....	690
Figure 23.11	I/O Port Input/Output Timing .....	692
Figure 23.12	PPG Output Timing .....	692
Figure 23.13	TPU Input/Output Timing .....	693
Figure 23.14	TPU Clock Input Timing .....	693
Figure 23.15	Motor Control PWM Output Timing .....	693
Figure 23.16	SCK Clock Input Timing .....	694
Figure 23.17	SCI Input/Output Timing (Clock Synchronous Mode) .....	694
Figure 23.18	A/D Converter External Trigger Input Timing .....	694
Figure 23.19	HCAN Input/Output Timing .....	695

## Appendix

Figure C.1	FP-144G Package Dimensions .....	707
------------	----------------------------------	-----



# Tables

## Section 1 Overview

Table 1.1	Pin Functions in Each Operating Mode .....	4
Table 1.2	Pin Functions .....	10

## Section 2 CPU

Table 2.1	Instruction Classification .....	31
Table 2.2	Operation Notation .....	32
Table 2.3	Data Transfer Instructions.....	33
Table 2.4	Arithmetic Operations Instructions (1) .....	34
Table 2.4	Arithmetic Operations Instructions (2) .....	35
Table 2.5	Logic Operations Instructions.....	36
Table 2.6	Shift Instructions.....	36
Table 2.7	Bit Manipulation Instructions (1).....	37
Table 2.7	Bit Manipulation Instructions (2).....	38
Table 2.8	Branch Instructions .....	39
Table 2.9	System Control Instructions.....	40
Table 2.10	Block Data Transfer Instructions .....	41
Table 2.11	Addressing Modes .....	43
Table 2.12	Absolute Address Access Ranges.....	45
Table 2.13	Effective Address Calculation (1).....	47
Table 2.13	Effective Address Calculation (2).....	48

## Section 3 MCU Operating Modes

Table 3.1	MCU Operating Mode Selection .....	53
Table 3.2	Pin Functions in Each Mode .....	57

## Section 4 Exception Handling

Table 4.1	Exception Types and Priority.....	59
Table 4.2	Exception Handling Vector Table.....	60
Table 4.3	Statuses of CCR and EXR after Trace Exception Handling .....	65
Table 4.4	Statuses of CCR and EXR after Trap Instruction Exception Handling.....	66

## Section 5 Interrupt Controller

Table 5.1	Pin Configuration.....	71
Table 5.2	Interrupt Sources, Vector Addresses, and Interrupt Priorities.....	80
Table 5.3	Interrupt Control Modes .....	83
Table 5.4	Interrupt Response Times .....	89
Table 5.5	Number of States in Interrupt Handling Routine Execution Status .....	90

## Section 7 Bus Controller (BSC)

Table 7.1	Pin Configuration.....	105
Table 7.2	Bus Specifications for Each Area (Basic Bus Interface) .....	114
Table 7.3	Data Buses Used and Valid Strobes.....	117
Table 7.4	Pin States in Idle Cycle.....	132

## Section 8 Data Transfer Controller (DTC)

Table 8.1	Interrupt Sources, DTC Vector Addresses, and Corresponding DTCEs .....	147
Table 8.2	Register Information in Normal Mode.....	150
Table 8.3	Register Information in Repeat Mode.....	151
Table 8.4	Register Information in Block Transfer Mode.....	152
Table 8.5	DTC Execution Status .....	157
Table 8.6	Number of States Required for Each Execution Status .....	157

## Section 9 I/O Ports

Table 9.1	Port Functions.....	164
Table 9.2	MOS Input Pull-Up States (Port A).....	201
Table 9.3	MOS Input Pull-Up States (Port B) .....	205
Table 9.4	MOS Input Pull-Up States (Port C) .....	209
Table 9.5	MOS Input Pull-Up States (Port D).....	213
Table 9.6	MOS Input Pull-Up States (Port E) .....	217

## Section 10 16-Bit Timer Pulse Unit (TPU)

Table 10.1	TPU Functions .....	230
Table 10.2	TPU Pins.....	234
Table 10.3	CCLR0 to CCLR2 (Channels 0 and 3) .....	238
Table 10.4	CCLR0 to CCLR2 (Channels 1, 2, 4, and 5) .....	238
Table 10.5	TPSC0 to TPSC2 (Channel 0).....	239
Table 10.6	TPSC0 to TPSC2 (Channel 1) .....	239
Table 10.7	TPSC0 to TPSC2 (Channel 2) .....	240
Table 10.8	TPSC0 to TPSC2 (Channel 3) .....	240
Table 10.9	TPSC0 to TPSC2 (Channel 4).....	241
Table 10.10	TPSC0 to TPSC2 (Channel 5) .....	241
Table 10.11	MD0 to MD3 .....	243
Table 10.12	TIORH_0 (Channel 0).....	245
Table 10.13	TIORL_0 (Channel 0).....	246
Table 10.14	TIOR_1 (Channel 1).....	247
Table 10.15	TIOR_2 (Channel 2).....	248
Table 10.16	TIORH_3 (Channel 3) .....	249
Table 10.17	TIORL_3 (Channel 3).....	250
Table 10.18	TIOR_4 (Channel 4).....	251

Table 10.19	TIOR_5 (Channel 5) .....	252
Table 10.20	TIORH_0 (Channel 0) .....	253
Table 10.21	TIORL_0 (Channel 0).....	254
Table 10.22	TIOR_1 (Channel 1) .....	255
Table 10.23	TIOR_2 (Channel 2) .....	256
Table 10.24	TIORH_3 (Channel 3) .....	257
Table 10.25	TIORL_3 (Channel 3).....	258
Table 10.26	TIOR_4 (Channel 4) .....	259
Table 10.27	TIOR_5 (Channel 5) .....	260
Table 10.28	Register Combinations in Buffer Operation .....	276
Table 10.29	Cascaded Combinations.....	280
Table 10.30	PWM Output Registers and Output Pins .....	283
Table 10.31	Phase Counting Mode Clock Input Pins .....	287
Table 10.32	Up/Down-Count Conditions in Phase Counting Mode 1 .....	288
Table 10.33	Up/Down-Count Conditions in Phase Counting Mode 2.....	289
Table 10.34	Up/Down-Count Conditions in Phase Counting Mode 3 .....	290
Table 10.35	Up/Down-Count Conditions in Phase Counting Mode 4.....	291
Table 10.36	TPU Interrupts .....	294

## **Section 11 Programmable Pulse Generator (PPG)**

Table 11.1	Pin Configuration.....	317
------------	------------------------	-----

## **Section 12 Watchdog Timer (WDT)**

Table 12.1	WDT Interrupt Sources.....	346
------------	----------------------------	-----

## **Section 13 Serial Communication Interface (SCI)**

Table 13.1	Pin Configuration.....	353
Table 13.2	The Relationships between The N Setting in BRR and Bit Rate B .....	366
Table 13.3	BRR Settings for Various Bit Rates (Asynchronous Mode) (1) .....	367
Table 13.3	BRR Settings for Various Bit Rates (Asynchronous Mode) (2) .....	368
Table 13.3	BRR Settings for Various Bit Rates (Asynchronous Mode) (3) .....	369
Table 13.4	Maximum Bit Rate for Each Frequency (Asynchronous Mode) .....	369
Table 13.5	Maximum Bit Rate with External Clock Input (Asynchronous Mode) .....	370
Table 13.6	BRR Settings for Various Bit Rates (Clocked Synchronous Mode).....	371
Table 13.7	Maximum Bit Rate with External Clock Input (Clocked Synchronous Mode) ....	371
Table 13.8	Examples of Bit Rate for Various BRR Settings (Smart Card Interface Mode) (When n = 0 and S = 372).....	372
Table 13.9	Maximum Bit Rate at Various Frequencies (Smart Card Interface Mode) (when S = 372).....	372
Table 13.10	Serial Transfer Formats (Asynchronous Mode).....	374
Table 13.11	SSR Status Flags and Receive Data Handling .....	381
Table 13.12	SCI Interrupt Sources.....	412

Table 13.13	SCI Interrupt Sources.....	413
<b>Section 14 Controller Area Network (HCAN)</b>		
Table 14.1	HCAN Pins.....	423
Table 14.2	Limits for the Settable Value.....	454
Table 14.3	Setting Range for TSEG1 and TSEG2 in BCR.....	455
Table 14.4	HCAN Interrupt Sources (HCAN_0, HCAN_1).....	468
Table 14.5	Interval Limitation between TXPR and TXPR or between TXPR and TXCR.....	474
<b>Section 15 A/D Converter</b>		
Table 15.1	Pin Configuration.....	477
Table 15.2	Analog Input Channels and Corresponding ADDR Registers.....	478
Table 15.3	A/D Conversion Time (Single Mode).....	484
Table 15.4	A/D Conversion Time (Scan Mode).....	484
Table 15.5	A/D Converter Interrupt Source.....	485
Table 15.6	Analog Pin Specifications.....	491
<b>Section 16 Motor Control PWM Timer (PWM)</b>		
Table 16.1	Pin Configuration.....	495
Table 16.2	Output Selection by OTS Bit.....	501
<b>Section 17 LCD Controller/Driver</b>		
Table 17.1	Pin Configuration.....	511
Table 17.2	Duty Cycle and Common Function Selection.....	513
Table 17.3	Segment Driver Selection.....	514
Table 17.4	Frame Frequency Selection.....	516
Table 17.5	Output Levels (A Waveform).....	525
Table 17.6	Power-Down Modes and Display Operation.....	526
<b>Section 19 ROM</b>		
Table 19.1	Differences between Boot Mode and User Program Mode.....	531
Table 19.2	Pin Configuration.....	536
Table 19.3	Setting On-Board Programming Modes.....	542
Table 19.4	Boot Mode Operation.....	544
Table 19.5	System Clock Frequencies for which Automatic Adjustment of LSI Bit Rate is Possible.....	544
Table 19.6	Flash Memory Operating States.....	555
Table 19.7	Registers Present in F-ZTAT Version but Absent in Mask ROM Version.....	558
<b>Section 20 Clock Pulse Generator</b>		
Table 20.1	Damping Resistance Value.....	562
Table 20.2	Crystal Resonator Characteristics.....	563
Table 20.3	External Clock Input Conditions.....	564

## **Section 21 Power-Down Modes**

Table 21.1	LSI Internal States in Each Mode .....	570
Table 21.2	Power-Down Mode Transition Conditions .....	572
Table 21.3	Standby Time Settings .....	575
Table 21.4	$\phi$ Pin State in Each Processing State .....	588

## **Section 23 Electrical Characteristics [Preliminary]**

Table 23.1	Absolute Maximum Ratings .....	675
Table 23.2	DC Characteristics .....	676
Table 23.3	Permissible Output Currents .....	680
Table 23.4	Clock Timing .....	682
Table 23.5	Control Signal Timing .....	683
Table 23.6	Bus Timing .....	685
Table 23.7	Timing of On-Chip Peripheral Modules .....	691
Table 23.8	A/D Conversion Characteristics .....	696
Table 23.9	LCD Characteristics .....	697
Table 23.10	Flash Memory Characteristics .....	698



# Section 1 Overview

## 1.1 Features

- High-speed H8S/2600 central processing unit with 16-bit architecture
  - Upward-compatible with H8/300 and H8/300H CPUs on an object level
  - Sixteen 16-bit general registers
  - Sixty-nine basic instructions
- Various peripheral functions
  - PC break controller (PBC)
  - Data transfer controller (DTC)
  - 16-bit timer pulse unit (TPU)
  - Programmable pulse generator (PPG)
  - Controller area network (HCAN)
  - Watchdog timer (WDT)
  - Asynchronous or clocked synchronous serial communication interface (SCI)
  - Motor control PWM timer
  - LCD controller/driver
  - 10-bit A/D converter
  - Clock pulse generator
- On-chip memory

ROM	Product Code	ROM	RAM	Remarks
Flash memory version	HD64F2649	256 kbytes	6 kbytes	
Masked ROM version	HD6432649	256 kbytes	6 kbytes	Under planning

- General I/O ports
  - I/O pins: 97
  - Input pins: 16
- Supports various power-down modes
- Compact package

Package	(Code)	Body Size	Pin Pitch
QFP-144	FP-144G	20.0 × 20.0 mm	0.5 mm

## 1.2 Internal Block Diagram

Figure 1.1 shows an internal block diagram.

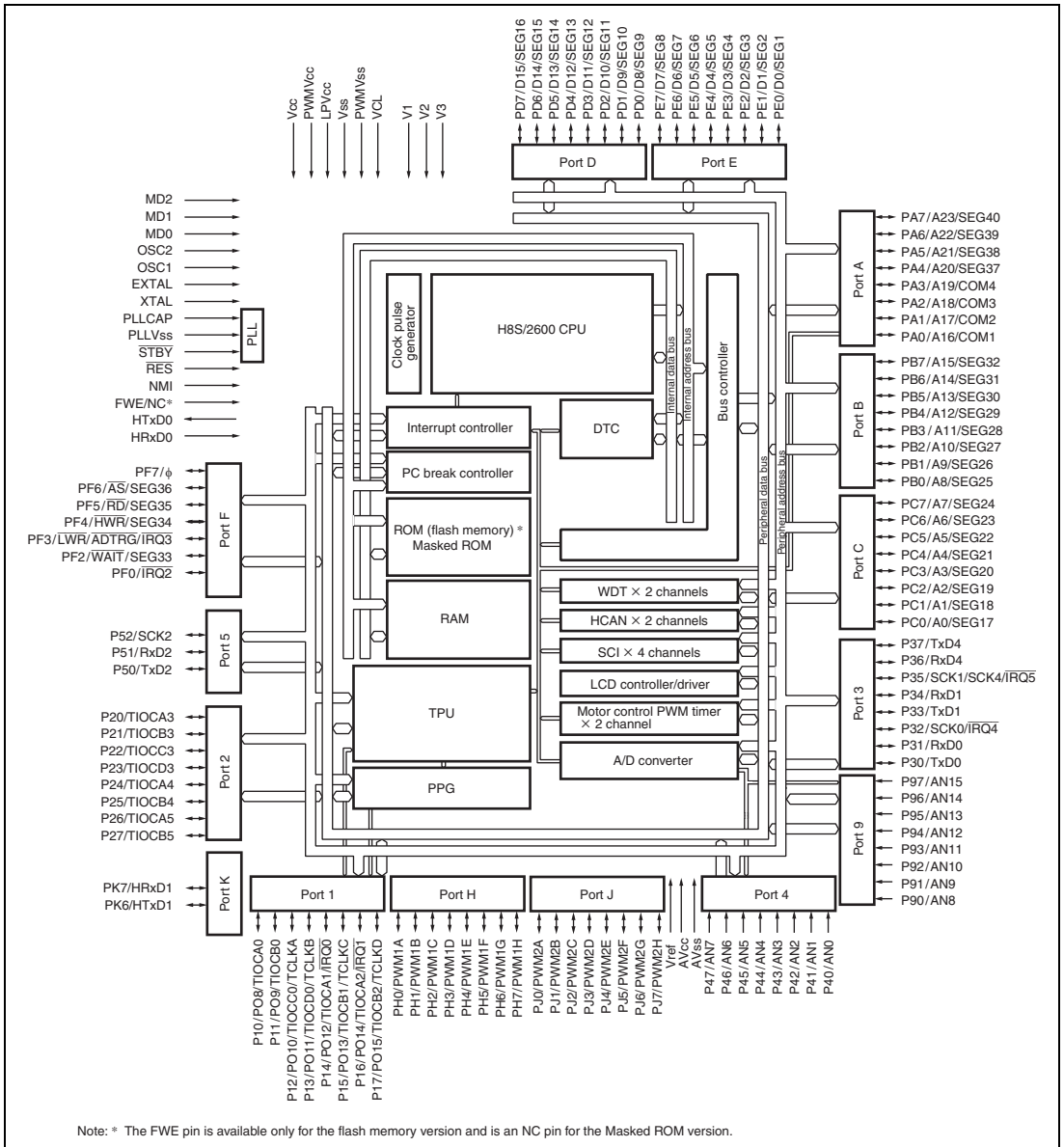


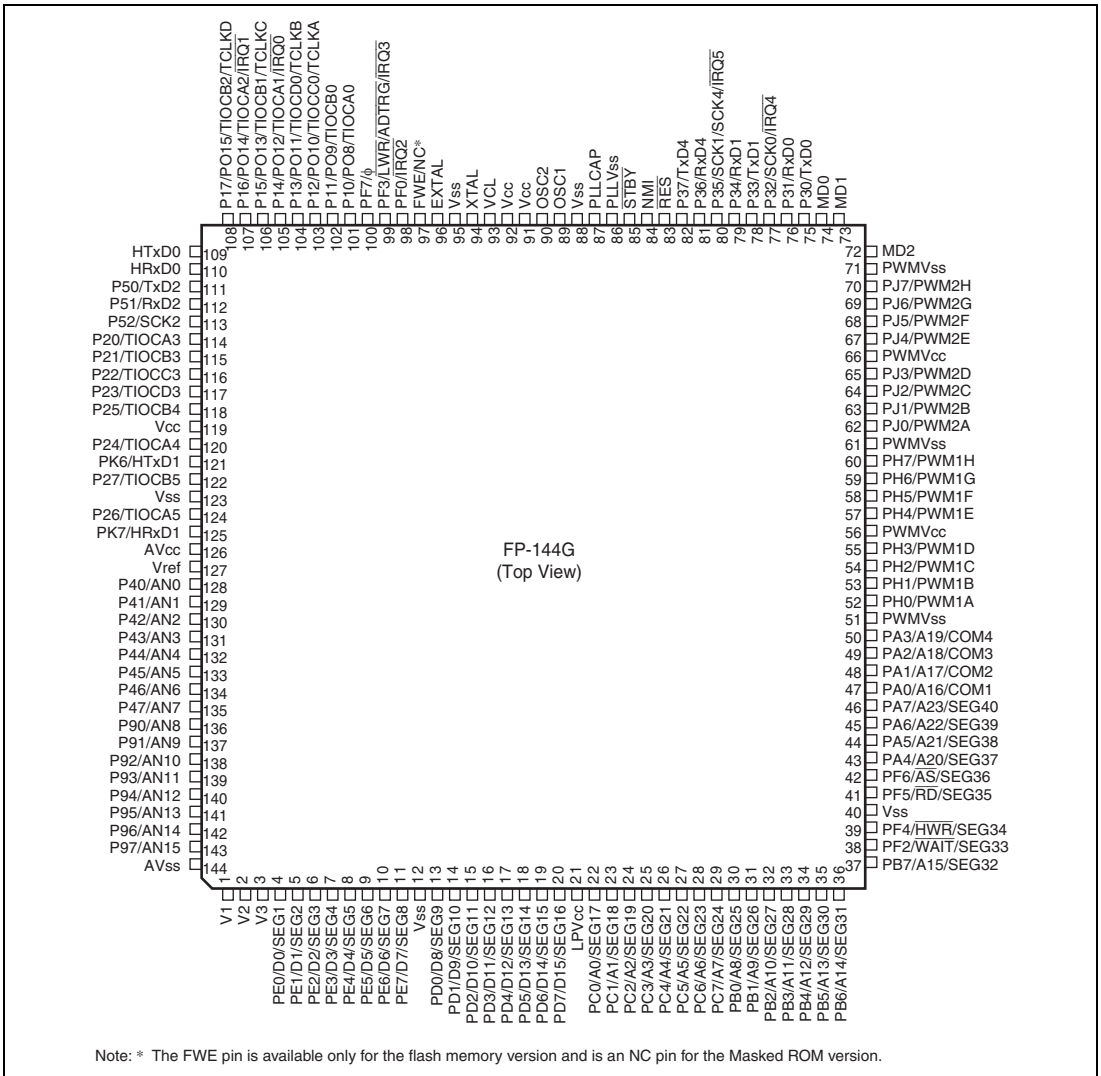
Figure 1.1 Internal Block Diagram



# 1.3 Pin Assignments

## 1.3.1 Pin Assignments

Figure 1.2 shows pin assignments.



**Figure 1.2 Pin Assignments (FP-144G)**

### 1.3.2 Pin Functions in Each Operating Mode

Table 1.1 shows the pin functions in each of the operating modes.

**Table 1.1 Pin Functions in Each Operating Mode**

Pin No.	Pin Name			
	Mode 4	Mode 5	Mode 6	Mode 7
1	V1	V1	V1	V1
2	V2	V2	V2	V2
3	V3	V3	V3	V3
4	PE0/D0/SEG1	PE0/D0/SEG1	PE0/D0/SEG1	PE0/SEG1
5	PE1/D1/SEG2	PE1/D1/SEG2	PE1/D1/SEG2	PE1/SEG2
6	PE2/D2/SEG3	PE2/D2/SEG3	PE2/D2/SEG3	PE2/SEG3
7	PE3/D3/SEG4	PE3/D3/SEG4	PE3/D3/SEG4	PE3/SEG4
8	PE4/D4/SEG5	PE4/D4/SEG5	PE4/D4/SEG5	PE4/SEG5
9	PE5/D5/SEG6	PE5/D5/SEG6	PE5/D5/SEG6	PE5/SEG6
10	PE6/D6/SEG7	PE6/D6/SEG7	PE6/D6/SEG7	PE6/SEG7
11	PE7/D7/SEG8	PE7/D7/SEG8	PE7/D7/SEG8	PE7/SEG8
12	Vss	Vss	Vss	Vss
13	D8	D8	D8/SEG9	PD0/SEG9
14	D9	D9	D9/SEG10	PD1/SEG10
15	D10	D10	D10/SEG11	PD2/SEG11
16	D11	D11	D11/SEG12	PD3/SEG12
17	D12	D12	D12/SEG13	PD4/SEG13
18	D13	D13	D13/SEG14	PD5/SEG14
19	D14	D14	D14/SEG15	PD6/SEG15
20	D15	D15	D15/SEG16	PD7/SEG16
21	LPVcc	LPVcc	LPVcc	LPVcc
22	A0	A0	PC0/A0/SEG17	PC0/SEG17
23	A1	A1	PC1/A1/SEG18	PC1/SEG18
24	A2	A2	PC2/A2/SEG19	PC2/SEG19
25	A3	A3	PC3/A3/SEG20	PC3/SEG20
26	A4	A4	PC4/A4/SEG21	PC4/SEG21

Pin No.	Pin Name			
	Mode 4	Mode 5	Mode 6	Mode 7
27	A5	A5	PC5/A5/SEG22	PC5/SEG22
28	A6	A6	PC6/A6/SEG23	PC6/SEG23
29	A7	A7	PC7/A7/SEG24	PC7/SEG24
30	PB0/A8/SEG25	PB0/A8/SEG25	PB0/A8/SEG25	PB0/SEG25
31	PB1/A9/SEG26	PB1/A9/SEG26	PB1/A9/SEG26	PB1/SEG26
32	PB2/A10/SEG27	PB2/A10/SEG27	PB2/A10/SEG27	PB2/SEG27
33	PB3/A11/SEG28	PB3/A11/SEG28	PB3/A11/SEG28	PB3/SEG28
34	PB4/A12/SEG29	PB4/A12/SEG29	PB4/A12/SEG29	PB4/SEG29
35	PB5/A13/SEG30	PB5/A13/SEG30	PB5/A13/SEG30	PB5/SEG30
36	PB6/A14/SEG31	PB6/A14/SEG31	PB6/A14/SEG31	PB6/SEG31
37	PB7/A15/SEG32	PB7/A15/SEG32	PB7/A15/SEG32	PB7/SEG32
38	$\overline{\text{WAIT}}/\text{SEG33}$	$\overline{\text{WAIT}}/\text{SEG33}$	$\overline{\text{WAIT}}/\text{SEG33}$	PF2/SEG33
39	$\overline{\text{HWR}}/\text{SEG34}$	$\overline{\text{HWR}}/\text{SEG34}$	$\overline{\text{HWR}}/\text{SEG34}$	PF4/SEG34
40	Vss	Vss	Vss	Vss
41	$\overline{\text{RD}}/\text{SEG35}$	$\overline{\text{RD}}/\text{SEG35}$	$\overline{\text{RD}}/\text{SEG35}$	PF5/SEG35
42	$\overline{\text{AS}}/\text{SEG36}$	$\overline{\text{AS}}/\text{SEG36}$	$\overline{\text{AS}}/\text{SEG36}$	PF6/SEG36
43	PA4/A20/SEG37	PA4/A20/SEG37	PA4/A20/SEG37	PA4/SEG37
44	PA5/A21/SEG38	PA5/A21/SEG38	PA5/A21/SEG38	PA5/SEG38
45	PA6/A22/SEG39	PA6/A22/SEG39	PA6/A22/SEG39	PA6/SEG39
46	PA7/A23/SEG40	PA7/A23/SEG40	PA7/A23/SEG40	PA7/SEG40
47	PA0/A16/COM1	PA0/A16/COM1	PA0/A16/COM1	PA0/COM1
48	PA1/A17/COM2	PA1/A17/COM2	PA1/A17/COM2	PA1/COM2
49	PA2/A18/COM3	PA2/A18/COM3	PA2/A18/COM3	PA2/COM3
50	PA3/A19/COM4	PA3/A19/COM4	PA3/A19/COM4	PA3/COM4
51	PWMVss	PWMVss	PWMVss	PWMVss
52	PH0/PWM1A	PH0/PWM1A	PH0/PWM1A	PH0/PWM1A
53	PH1/PWM1B	PH1/PWM1B	PH1/PWM1B	PH1/PWM1B
54	PH2/PWM1C	PH2/PWM1C	PH2/PWM1C	PH2/PWM1C
55	PH3/PWM1D	PH3/PWM1D	PH3/PWM1D	PH3/PWM1D
56	PWMVcc	PWMVcc	PWMVcc	PWMVcc
57	PH4/PWM1E	PH4/PWM1E	PH4/PWM1E	PH4/PWM1E

Pin No.	Pin Name			
	Mode 4	Mode 5	Mode 6	Mode 7
58	PH5/PWM1F	PH5/PWM1F	PH5/PWM1F	PH5/PWM1F
59	PH6/PWM1G	PH6/PWM1G	PH6/PWM1G	PH6/PWM1G
60	PH7/PWM1H	PH7/PWM1H	PH7/PWM1H	PH7/PWM1H
61	PWMVss	PWMVss	PWMVss	PWMVss
62	PJ0/PWM2A	PJ0/PWM2A	PJ0/PWM2A	PJ0/PWM2A
63	PJ1/PWM2B	PJ1/PWM2B	PJ1/PWM2B	PJ1/PWM2B
64	PJ2/PWM2C	PJ2/PWM2C	PJ2/PWM2C	PJ2/PWM2C
65	PJ3/PWM2D	PJ3/PWM2D	PJ3/PWM2D	PJ3/PWM2D
66	PWMVcc	PWMVcc	PWMVcc	PWMVcc
67	PJ4/PWM2E	PJ4/PWM2E	PJ4/PWM2E	PJ4/PWM2E
68	PJ5/PWM2F	PJ5/PWM2F	PJ5/PWM2F	PJ5/PWM2F
69	PJ6/PWM2G	PJ6/PWM2G	PJ6/PWM2G	PJ6/PWM2G
70	PJ7/PWM2H	PJ7/PWM2H	PJ7/PWM2H	PJ7/PWM2H
71	PWMVss	PWMVss	PWMVss	PWMVss
72	MD2	MD2	MD2	MD2
73	MD1	MD1	MD1	MD1
74	MD0	MD0	MD0	MD0
75	P30/TxD0	P30/TxD0	P30/TxD0	P30/TxD0
76	P31/RxD0	P31/RxD0	P31/RxD0	P31/RxD0
77	P32/SCK0/IRQ4	P32/SCK0/IRQ4	P32/SCK0/IRQ4	P32/SCK0/IRQ4
78	P33/TxD1	P33/TxD1	P33/TxD1	P33/TxD1
79	P34/RxD1	P34/RxD1	P34/RxD1	P34/RxD1
80	P35/SCK1/SCK4/ IRQ5	P35/SCK1/SCK4/ IRQ5	P35/SCK1/SCK4/ IRQ5	P35/SCK1/SCK4/ IRQ5
81	P36/RxD4	P36/RxD4	P36/RxD4	P36/RxD4
82	P37/TxD4	P37/TxD4	P37/TxD4	P37/TxD4
83	$\overline{\text{RES}}$	$\overline{\text{RES}}$	$\overline{\text{RES}}$	$\overline{\text{RES}}$
84	NMI	NMI	NMI	NMI
85	$\overline{\text{STBY}}$	$\overline{\text{STBY}}$	$\overline{\text{STBY}}$	$\overline{\text{STBY}}$
86	PLLvss	PLLvss	PLLvss	PLLvss
87	PLLCAP	PLLCAP	PLLCAP	PLLCAP

Pin No.	Pin Name			
	Mode 4	Mode 5	Mode 6	Mode 7
88	Vss	Vss	Vss	Vss
89	OSC1	OSC1	OSC1	OSC1
90	OSC2	OSC2	OSC2	OSC2
91	Vcc	Vcc	Vcc	Vcc
92	Vcc	Vcc	Vcc	Vcc
93	VCL	VCL	VCL	VCL
94	XTAL	XTAL	XTAL	XTAL
95	Vss	Vss	Vss	Vss
96	EXTAL	EXTAL	EXTAL	EXTAL
97	FWE	FWE	FWE	FWE
98	PF0/ $\overline{\text{IRQ2}}$	PF0/ $\overline{\text{IRQ2}}$	PF0/ $\overline{\text{IRQ2}}$	PF0/ $\overline{\text{IRQ2}}$
99	PF3/ $\overline{\text{LWR/ADTRG/IRQ3}}$	PF3/ $\overline{\text{LWR/ADTRG/IRQ3}}$	PF3/ $\overline{\text{LWR/ADTRG/IRQ3}}$	PF3/ $\overline{\text{ADTRG/IRQ3}}$
100	PF7/ $\phi$	PF7/ $\phi$	PF7/ $\phi$	PF7/ $\phi$
101	P10/PO8/TIOCA0	P10/PO8/TIOCA0	P10/PO8/TIOCA0	P10/PO8/TIOCA0
102	P11/PO9/TIOCB0	P11/PO9/TIOCB0	P11/PO9/TIOCB0	P11/PO9/TIOCB0
103	P12/PO10/TIOCC0/ TCLKA	P12/PO10/TIOCC0/ TCLKA	P12/PO10/TIOCC0/ TCLKA	P12/PO10/TIOCC0/ TCLKA
104	P13/PO11/TIOCD0/ TCLKB	P13/PO11/TIOCD0/ TCLKB	P13/PO11/TIOCD0/ TCLKB	P13/PO11/TIOCD0/ TCLKB
105	P14/PO12/TIOCA1/ $\overline{\text{IRQ0}}$	P14/PO12/TIOCA1/ $\overline{\text{IRQ0}}$	P14/PO12/TIOCA1/ $\overline{\text{IRQ0}}$	P14/PO12/TIOCA1/ $\overline{\text{IRQ0}}$
106	P15/PO13/TIOCB1/ TCLKC	P15/PO13/TIOCB1/ TCLKC	P15/PO13/TIOCB1/ TCLKC	P15/PO13/TIOCB1/ TCLKC
107	P16/PO14/TIOCA2/ $\overline{\text{IRQ1}}$	P16/PO14/TIOCA2/ $\overline{\text{IRQ1}}$	P16/PO14/TIOCA2/ $\overline{\text{IRQ1}}$	P16/PO14/TIOCA2/ $\overline{\text{IRQ1}}$
108	P17/PO15/TIOCB2/ TCLKD	P17/PO15/TIOCB2/ TCLKD	P17/PO15/TIOCB2/ TCLKD	P17/PO15/TIOCB2/ TCLKD
109	HTxD0	HTxD0	HTxD0	HTxD0
110	HRxD0	HRxD0	HRxD0	HRxD0
111	P50/TxD2	P50/TxD2	P50/TxD2	P50/TxD2
112	P51/RxD2	P51/RxD2	P51/RxD2	P51/RxD2

## Pin Name

Pin No.	Mode 4	Mode 5	Mode 6	Mode 7
113	P52/SCK2	P52/SCK2	P52/SCK2	P52/SCK2
114	P20/TIOCA3	P20/TIOCA3	P20/TIOCA3	P20/TIOCA3
115	P21/TIOCB3	P21/TIOCB3	P21/TIOCB3	P21/TIOCB3
116	P22/TIOCC3	P22/TIOCC3	P22/TIOCC3	P22/TIOCC3
117	P23/TIOCD3	P23/TIOCD3	P23/TIOCD3	P23/TIOCD3
118	P25/TIOCB4	P25/TIOCB4	P25/TIOCB4	P25/TIOCB4
119	Vcc	Vcc	Vcc	Vcc
120	P24/TIOCA4	P24/TIOCA4	P24/TIOCA4	P24/TIOCA4
121	PK6/HTxD1	PK6/HTxD1	PK6/HTxD1	PK6/HTxD1
122	P27/TIOCB5	P27/TIOCB5	P27/TIOCB5	P27/TIOCB5
123	Vss	Vss	Vss	Vss
124	P26/TIOCA5	P26/TIOCA5	P26/TIOCA5	P26/TIOCA5
125	PK7/HRxD1	PK7/HRxD1	PK7/HRxD1	PK7/HRxD1
126	AVcc	AVcc	AVcc	AVcc
127	Vref	Vref	Vref	Vref
128	P40/AN0	P40/AN0	P40/AN0	P40/AN0
129	P41/AN1	P41/AN1	P41/AN1	P41/AN1
130	P42/AN2	P42/AN2	P42/AN2	P42/AN2
131	P43/AN3	P43/AN3	P43/AN3	P43/AN3
132	P44/AN4	P44/AN4	P44/AN4	P44/AN4
133	P45/AN5	P45/AN5	P45/AN5	P45/AN5
134	P46/AN6	P46/AN6	P46/AN6	P46/AN6
135	P47/AN7	P47/AN7	P47/AN7	P47/AN7
136	P90/AN8	P90/AN8	P90/AN8	P90/AN8
137	P91/AN9	P91/AN9	P91/AN9	P91/AN9
138	P92/AN10	P92/AN10	P92/AN10	P92/AN10
139	P93/AN11	P93/AN11	P93/AN11	P93/AN11
140	P94/AN12	P94/AN12	P94/AN12	P94/AN12
141	P95/AN13	P95/AN13	P95/AN13	P95/AN13
142	P96/AN14	P96/AN14	P96/AN14	P96/AN14

---

<b>Pin Name</b>				
<b>Pin No.</b>	<b>Mode 4</b>	<b>Mode 5</b>	<b>Mode 6</b>	<b>Mode 7</b>
143	P97/AN15	P97/AN15	P97/AN15	P97/AN15
144	AVss	AVss	AVss	AVss

---

Note: In mode 4 and mode 5, the following pins (D8 to D15, A0 to A7,  $\overline{RD}$ ,  $\overline{AS}$ , and  $\overline{HWR}$ ) are used to interface with external ROM. Therefore, these pins must not be set to the SEG signal.

### 1.3.3 Pin Functions

Table 1.2 shows pin functions.

**Table 1.2 Pin Functions**

Type	Symbol	Pin No.	I/O	Name and Function
Power supply	Vcc	91, 92, 119	Input	Power supply pins These pins should be connected to the system power supply.
	PWMVcc	56, 66	Input	Power supply pin for port H, port J, and the motor control PWM timer output
	LPVcc	21	Input	Power supply pin for ports A, B, C, D, E, and part of port F (PF2 and PF4 to PF6)
	V1, V2, V3	1, 2, 3	Input	Power supply pin for LCD controller/driver There is an on-chip power supply division resistor, so this pin is normally left open. Power supply conditions: $LPVcc \geq V1 \geq V2 \geq V3 \geq Vss$
	Vss	12, 40, 88, 95, 123	Input	Ground pins These pins should be connected to the system power supply (0 V).
	PWMVss	51, 61, 71	Input	Power supply pin for port H, port J, and the motor control PWM timer output These pins should be connected to the system power supply (0 V).
	VCL	93	Input	Pin for connecting the on-chip step-down power supply to a capacitor for voltage stabilization. Connect to Vss via a 0.1 $\mu$ F capacitor (which should be located near the pin). Do not connect this pin to an external power supply.



Type	Symbol	Pin No.	I/O	Name and Function
Clock	PLLVss	86	Input	Ground pin for on-chip PLL oscillator
	PLLCAP	87	Input	External capacitance pin for on-chip PLL oscillator
	XTAL	94	Input	Connects to a crystal oscillator.
	EXTAL	96	Input	See section 20, Clock Pulse Generator, for typical connection diagrams for a crystal oscillator.  The EXTAL pin can also input an external clock.
	OSC1	89	Input	Connects to a 32.768-MHz crystal oscillator. See section 20, Clock Pulse Generator, for typical connection diagrams for a crystal oscillator.
	OSC2	90	Input	
	$\phi$	100	Output	Supplies the system clock to an external device.
Operating mode control	MD2 to MD0	72 to 74	Input	These pins set the operating mode. These pins should not be changed while this LSI is operating.
System control	$\overline{RES}$	83	Input	Reset pin  When this pin is driven low, the chip is reset.
	$\overline{STBY}$	85	Input	When this pin is driven low, a transition is made to hardware standby mode.
	FWE	97	Input	Pin for flash memory
Interrupts	NMI	84	Input	Requests a nonmaskable interrupt. When this pin is not used, it should be fixed high.
	$\overline{IRQ5}$ to $\overline{IRQ0}$	80, 77, 99, 98, 107, 105	Input	These pins request a maskable interrupt.
Address bus	A23 to A0	46 to 43, 50 to 47, 37 to 22	Output	These pins output an address.
Data bus	D15 to D0	20 to 13, 11 to 4	I/O	These pins constitute a bidirectional data bus.

Type	Symbol	Pin No.	I/O	Name and Function
Bus control	$\overline{AS}$	42	Output	When this pin is low, it indicates that address output on the address bus is enabled.
	$\overline{RD}$	41	Output	When this pin is low, it indicates that the external address space can be read.
	$\overline{HWR}$	39	Output	A strobe signal that writes to external space and indicates that the upper half (D15 to D8) of the data bus is enabled.
	$\overline{LWR}$	99	Output	A strobe signal that writes to external space and indicates that the lower half (D7 to D0) of the data bus is enabled.
	$\overline{WAIT}$	38	Input	It is necessary to insert a wait state into the bus cycle when accessing the external three-state address space.
16-bit timer pulse unit (TPU)	TCLKD to TCLKA	103, 102, 106, 108	Input	These pins input an external clock.
	TIOCA0, TIOCB0, TIOCC0, TIOCD0	101, 102, 123, 104	I/O	TGR0A to TGR0D input capture input, output compare output, or output PWM.
	TIOCA1, TIOCB1	105, 106	I/O	TGR1A and TGR1B input capture input, output compare output, or output PWM.
	TIOCA2, TIOCB2	107, 108	I/O	TGR2A and TGR2B input capture input, output compare output, or output PWM.
	TIOCA3, TIOCB3, TIOCC3, TIOCD3	114, 115, 116, 117	I/O	TGR3A to TGR3D input capture input, output compare output, or output PWM.
	TIOCA4, TIOCB4	120, 118	I/O	TGR4A and TGR4B input capture input, output compare output, or output PWM.
	TIOCA5, TIOCB5	124, 122	I/O	TGR5A and TGR5B input capture input, output compare output, or output PWM.
	Programmable pulse generator (PPG)	PO15 to PO8	108 to 101	Output

Type	Symbol	Pin No.	I/O	Name and Function	
Serial communication interface (SCI)/ Smart Card interface	TxD4, TxD2,	82 111	Output	Transmit data output pins	
	TxD1, TxD0	78 75			
	RxD4, RxD2, RxD1, RxD0	81 112 79 76			Input
	SCK4, SCK2, SCK1, SCK0	80 113 80 77	I/O	Clock I/O pins The SCK output type is NMOS push-pull.	
	HTxD0 HTxD1	109, 121		Output	Pin for CAN bus transmission
	HRxD0 HRxD1	110, 125		Input	Pin for CAN bus reception
	A/D converter	AN15 to AN0		143 to 128	Input
ADTRG		99	Input	Pin for input of an external trigger to start A/D conversion	
AVcc		126	Input	A/D converter power supply pin If the A/D converter is not used, connect this pin to the system power supply (+5 V).	
AVss		144	Input	A/D converter ground pin Connect this pin to the system power supply (0 V).	
Vref		127	Input	A/D converter reference voltage input pin If the A/D converter is not used, connect this pin to the system power supply (+5 V).	
Motor control PWM timer	PWM1A to PWM1H	52 to 55, 57 to 60	Output	PWM timer channel 1 output pins	
	PWM2A to PWM2H	62 to 65, 67 to 70	Output	PWM timer channel 2 output pins	

Type	Symbol	Pin No.	I/O	Name and Function
LCD controller/driver	SEG40 to SEG1	46 to 41, 39 to 22, 20 to 13, 11 to 4	Output	LCD segment output pins
	COM4 to COM1	50 to 47	Output	LCD common output pins
I/O ports	P17 to P10	108 to 101	I/O	8-bit I/O pins
	P27 to P20	122, 124, 118, 120, 117 to 114	I/O	8-bit I/O pins
	P37 to P30	82 to 75	I/O	8-bit I/O pins
	P47 to P40	135 to 128	Input	8-bit input pins
	P52 to P50	113 to 111	I/O	3-bit I/O pins
	P97 to P90	143 to 136	Input	8-bit input pins
	PA7 to PA0	46 to 43, 50 to 47	I/O	8-bit I/O pins
	PB7 to PB0	37 to 30	I/O	8-bit I/O pins
	PC7 to PC0	29 to 22	I/O	8-bit I/O pins
	PD7 to PD0	20 to 13	I/O	8-bit I/O pins
	PE7 to PE0	11 to 4	I/O	8-bit I/O pins
	PF7 to PF2, PF0	100, 42, 41, 39, 99, 38, 98	I/O	7-bit I/O pins
	PH7 to PH0	60 to 57, 55 to 52	I/O	8-bit I/O pins
	PK7, PK6	121, 125	I/O	2-bit I/O pins

## Section 2 CPU

The H8S/2600 CPU is a high-speed central processing unit with an internal 32-bit architecture that is upward-compatible with the H8/300 and H8/300H CPUs. The H8S/2600 CPU has sixteen 16-bit general registers, can address a 16-Mbyte linear address space, and is ideal for realtime control. This section describes the H8S/2600 CPU. The usable modes and address spaces differ depending on the product. For details on each product, refer to section 3, MCU Operating Modes.

### 2.1 Features

- Upward-compatible with H8/300 and H8/300H CPUs
  - Can execute H8/300 and H8/300H CPUs object programs
- General-register architecture
  - Sixteen 16-bit general registers also usable as sixteen 8-bit registers or eight 32-bit registers
- Sixty-nine basic instructions
  - 8/16/32-bit arithmetic and logic instructions
  - Multiply and divide instructions
  - Powerful bit-manipulation instructions
  - Multiply-and-accumulate instruction
- Eight addressing modes
  - Register direct [Rn]
  - Register indirect [@ERn]
  - Register indirect with displacement [@(d:16,ERn) or @(d:32,ERn)]
  - Register indirect with post-increment or pre-decrement [@ERn+ or @-ERn]
  - Absolute address [@aa:8, @aa:16, @aa:24, or @aa:32]
  - Immediate [#xx:8, #xx:16, or #xx:32]
  - Program-counter relative [@(d:8,PC) or @(d:16,PC)]
  - Memory indirect [@@aa:8]
- 16-Mbyte address space
  - Program: 16 Mbytes
  - Data: 16 Mbytes
- High-speed operation
  - All frequently-used instructions execute in one or two states
  - 8/16/32-bit register-register add/subtract: 1 state
  - 8 × 8-bit register-register multiply: 3 states

- 16 ÷ 8-bit register-register divide: 12 states
- 16 × 16-bit register-register multiply: 4 states
- 32 ÷ 16-bit register-register divide: 20 states
- Two CPU operating modes
  - Normal mode\*
  - Advanced mode
- Power-down state
  - Transition to power-down state by the SLEEP instruction
  - CPU clock speed selection

Note: \* Normal mode is not available in this LSI.

### 2.1.1 Differences between H8S/2600 CPU and H8S/2000 CPU

The differences between the H8S/2600 CPU and the H8S/2000 CPU are shown below.

- Register configuration  
The MAC register is supported by the H8S/2600 CPU only.
- Basic instructions  
The four instructions MAC, CLRMAC, LDMAC, and STMAC are supported by the H8S/2600 CPU only.
- The number of execution states of the MULXU and MULXS instructions;

Instruction	Mnemonic	Execution States	
		H8S/2600	H8S/2000
MULXU	MULXU.B Rs, Rd	3	12
	MULXU.W Rs, ERd	4	20
MULXS	MULXS.B Rs, Rd	4	13
	MULXS.W Rs, ERd	5	21

In addition, there are differences in address space, CCR and EXR register functions, and power-down modes, etc., depending on the model.

### 2.1.2 Differences from H8/300 CPU

In comparison to the H8/300 CPU, the H8S/2600 CPU has the following enhancements:

- More general registers and control registers
  - Eight 16-bit extended registers, and one 8-bit and two 32-bit control registers, have been added.
- Expanded address space
  - Normal mode supports the same 64-kbyte address space as the H8/300 CPU.
  - Advanced mode supports a maximum 16-Mbyte address space.
- Enhanced addressing
  - The addressing modes have been enhanced to make effective use of the 16-Mbyte address space.
- Enhanced instructions
  - Addressing modes of bit-manipulation instructions have been enhanced.
  - Signed multiply and divide instructions have been added.
  - A multiply-and-accumulate instruction has been added.
  - Two-bit shift instructions have been added.
  - Instructions for saving and restoring multiple registers have been added.
  - A test and set instruction has been added.
- Higher speed
  - Basic instructions execute twice as fast.

### 2.1.3 Differences from H8/300H CPU

In comparison to the H8/300H CPU, the H8S/2600 CPU has the following enhancements:

- More control registers
  - One 8-bit and two 32-bit control registers have been added.
- Enhanced instructions
  - Addressing modes of bit-manipulation instructions have been enhanced.
  - A multiply-and-accumulate instruction has been added.
  - Two-bit shift instructions have been added.
  - Instructions for saving and restoring multiple registers have been added.
  - A test and set instruction has been added.

- Higher speed
  - Basic instructions execute twice as fast.

## 2.2 CPU Operating Modes

The H8S/2600 CPU has two operating modes: normal and advanced. Normal mode supports a maximum 64-kbyte address space. Advanced mode supports a maximum 16-Mbyte total address space. The mode is selected by the mode pins.

### 2.2.1 Normal Mode

The exception vector table and stack have the same structure as in the H8/300 CPU.

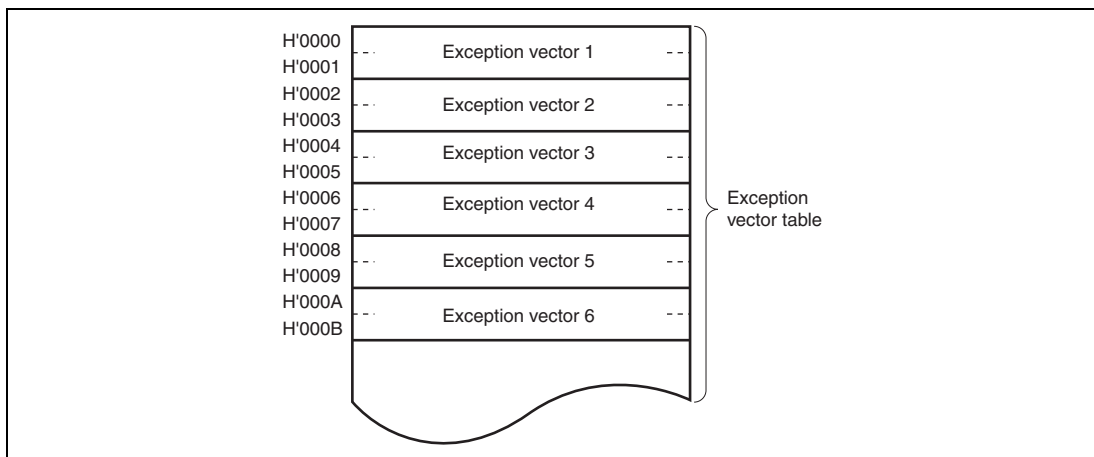
- Address Space
  - Linear access to a 64-kbyte maximum address space is provided.
- Extended Registers (En)
  - The extended registers (E0 to E7) can be used as 16-bit registers, or as the upper 16-bit segments of 32-bit registers. When En is used as a 16-bit register it can contain any value, even when the corresponding general register (Rn) is used as an address register. If the general register is referenced in the register indirect addressing mode with pre-decrement (@-Rn) or post-increment (@Rn+) and a carry or borrow occurs, however, the value in the corresponding extended register (En) will be affected.
- Instruction Set
  - All instructions and addressing modes can be used. Only the lower 16 bits of effective addresses (EA) are valid.
- Exception Vector Table and Memory Indirect Branch Addresses
  - In normal mode the top area starting at H'0000 is allocated to the exception vector table. One branch address is stored per 16 bits. The exception vector table structure in normal mode is shown in figure 2.1. For details of the exception vector table, see section 4, Exception Handling.
  - The memory indirect addressing mode (@@aa:8) employed in the JMP and JSR instructions uses an 8-bit absolute address included in the instruction code to specify a memory operand that contains a branch address. In normal mode the operand is a 16-bit word operand, providing a 16-bit branch address. Branch addresses can be stored in the area from H'0000 to H'00FF. Note that the first part of this range is also used for the exception vector table.



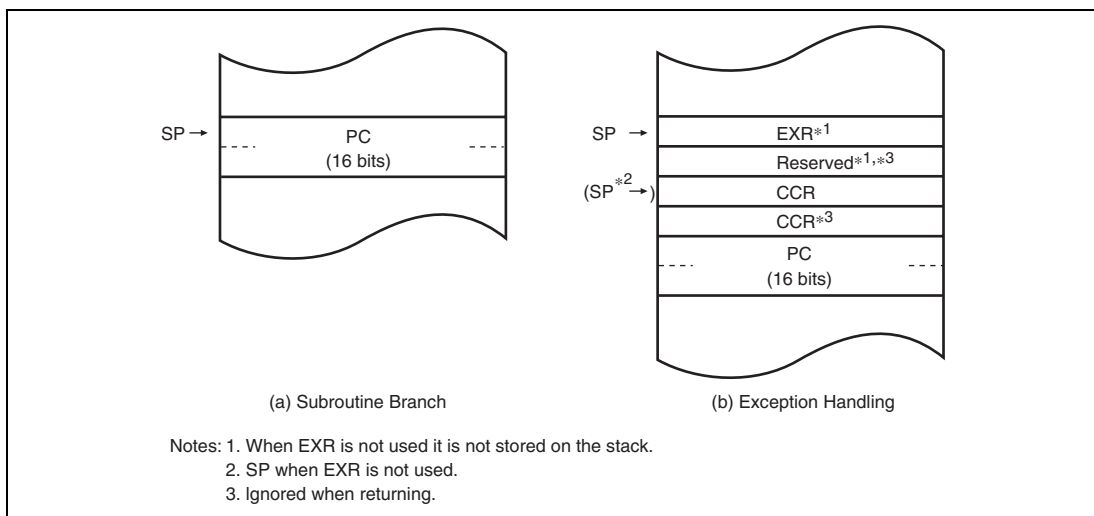
- Stack Structure

When the program counter (PC) is pushed onto the stack in a subroutine call, and the PC, condition-code register (CCR), and extended control register (EXR) are pushed onto the stack in exception handling, they are stored as shown in figure 2.2. EXR is not pushed onto the stack in interrupt control mode 0. For details, see section 4, Exception Handling.

Note: Normal mode is not available in this LSI.



**Figure 2.1 Exception Vector Table (Normal Mode)**



**Figure 2.2 Stack Structure in Normal Mode**

### 2.2.2 Advanced Mode

- Address Space

Linear access to a 16-Mbyte maximum address space is provided.

- Extended Registers (En)

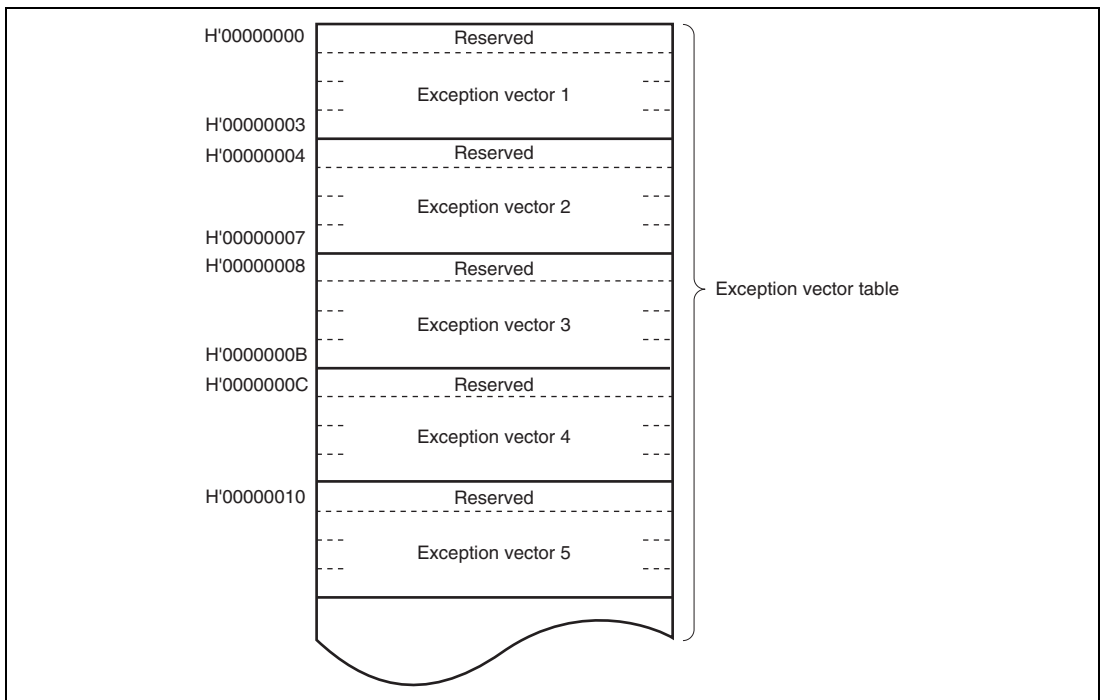
The extended registers (E0 to E7) can be used as 16-bit registers, or as the upper 16-bit segments of 32-bit registers or address registers.

- Instruction Set

All instructions and addressing modes can be used.

- Exception Vector Table and Memory Indirect Branch Addresses

In advanced mode, the top area starting at H'00000000 is allocated to the exception vector table in units of 32 bits. In each 32 bits, the upper 8 bits are ignored and a branch address is stored in the lower 24 bits (figure 2.3). For details of the exception vector table, see section 4, Exception Handling.

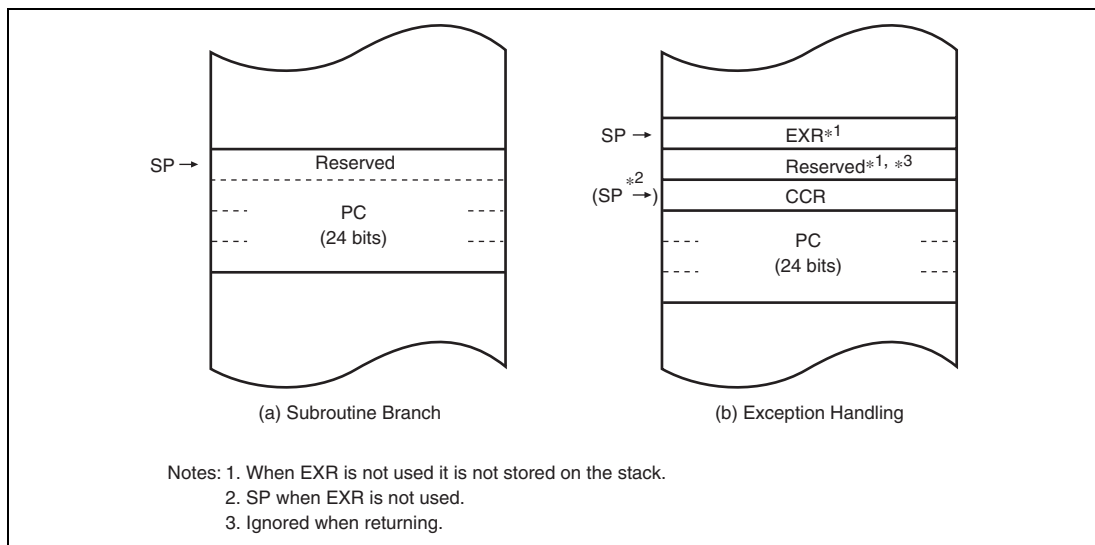


**Figure 2.3 Exception Vector Table (Advanced Mode)**

The memory indirect addressing mode (@@aa:8) employed in the JMP and JSR instructions uses an 8-bit absolute address included in the instruction code to specify a memory operand that contains a branch address. In advanced mode the operand is a 32-bit longword operand, providing a 32-bit branch address. The upper 8 bits of these 32 bits is a reserved area that is regarded as H'00. Branch addresses can be stored in the area from H'00000000 to H'000000FF. Note that the first part of this range is also used for the exception vector table.

- Stack Structure

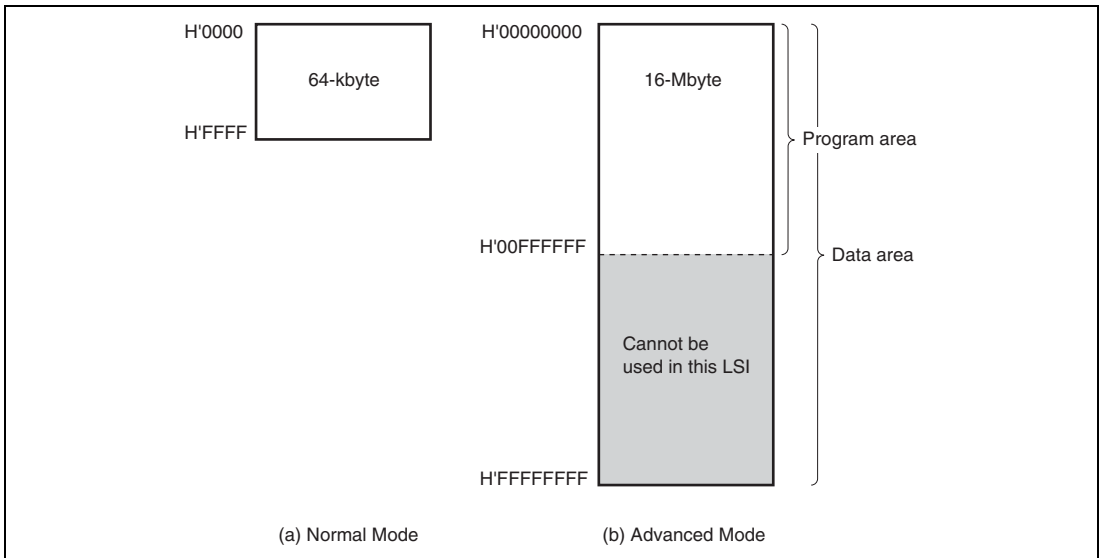
In advanced mode, when the program counter (PC) is pushed onto the stack in a subroutine call, and the PC, condition-code register (CCR), and extended control register (EXR) are pushed onto the stack in exception handling, they are stored as shown in figure 2.4. When EXR is not pushed onto the stack in interrupt control mode 0. For details, see section 4, Exception Handling.



**Figure 2.4 Stack Structure in Advanced Mode**

## 2.3 Address Space

Figure 2.5 shows a memory map for the H8S/2600 CPU. The H8S/2600 CPU provides linear access to a maximum 64-kbyte address space in normal mode, and a maximum 16-Mbyte (architecturally 4-Gbyte) address space in advanced mode. The usable modes and address spaces differ depending on the product. For details on each product, refer to section 3, MCU Operating Modes.



**Figure 2.5 Memory Map**

## 2.4 Registers

The H8S/2600 CPU has the internal registers shown in figure 2.6. There are two types of registers; general registers and control registers. The control registers are a 24-bit program counter (PC), an 8-bit extended control register (EXR), an 8-bit condition code register (CCR), and a 64-bit multiply-accumulate register (MAC).

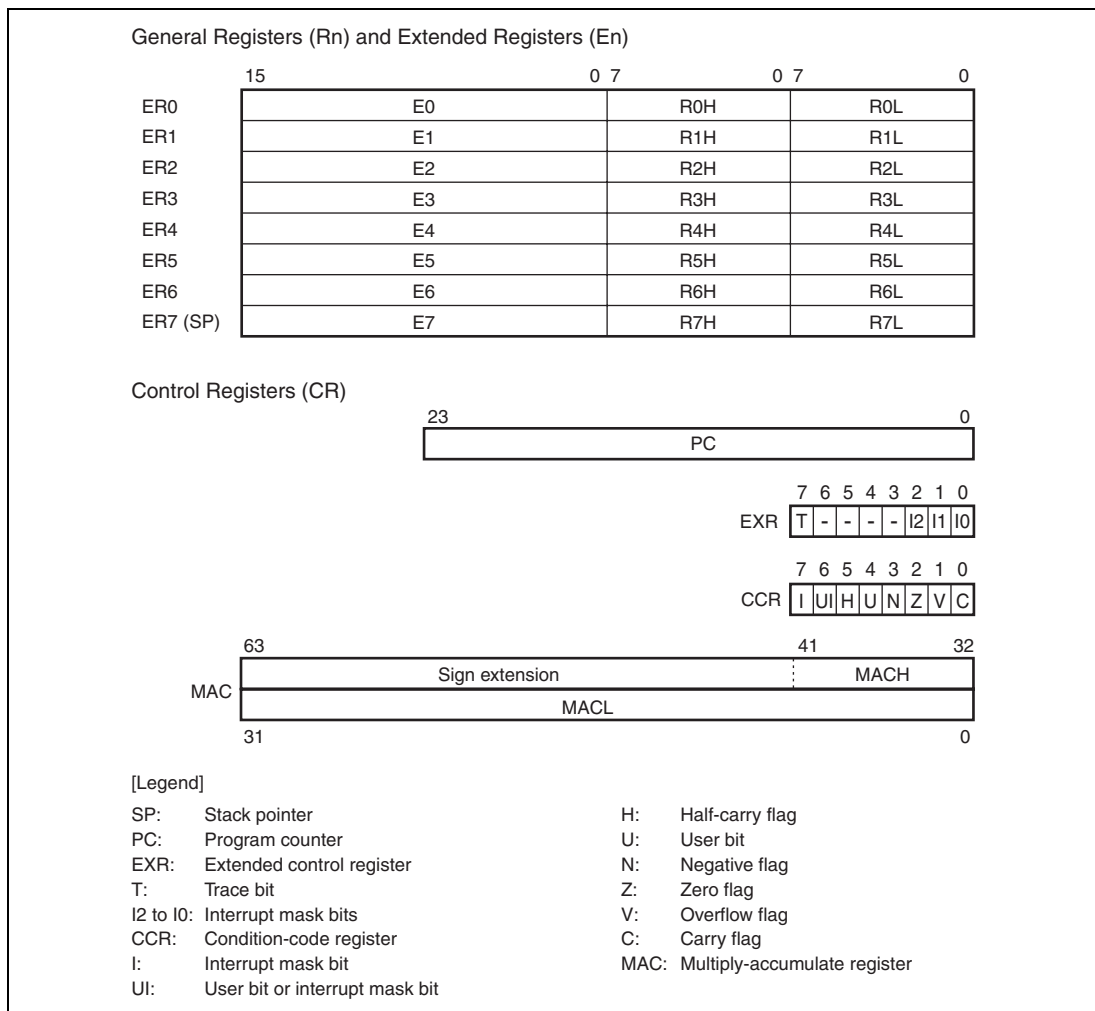


Figure 2.6 CPU Registers

## 2.4.1 General Registers

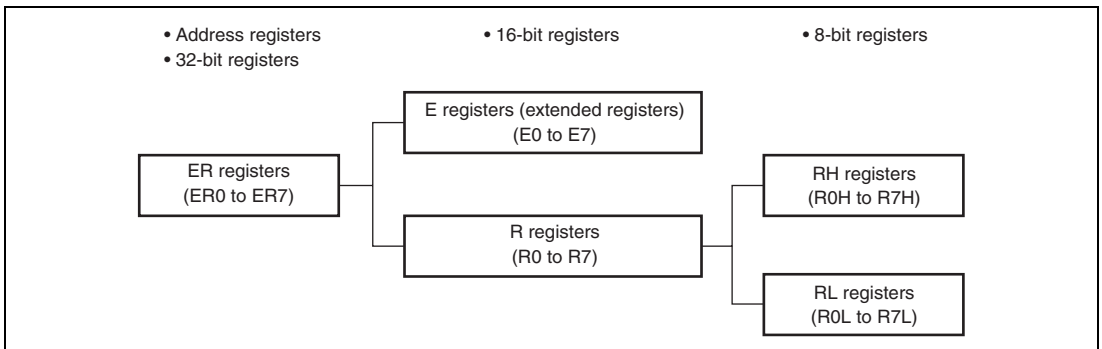
The H8S/2600 CPU has eight 32-bit general registers. These general registers are all functionally identical and can be used as both address registers and data registers. When a general register is used as a data register, it can be accessed as a 32-bit, 16-bit, or 8-bit register. Figure 2.7 illustrates the usage of the general registers. When the general registers are used as 32-bit registers or address registers, they are designated by the letters ER (ER0 to ER7).

The ER registers divide into 16-bit general registers designated by the letters E (E0 to E7) and R (R0 to R7). These registers are functionally equivalent, providing a maximum of sixteen 16-bit registers. The E registers (E0 to E7) are also referred to as extended registers.

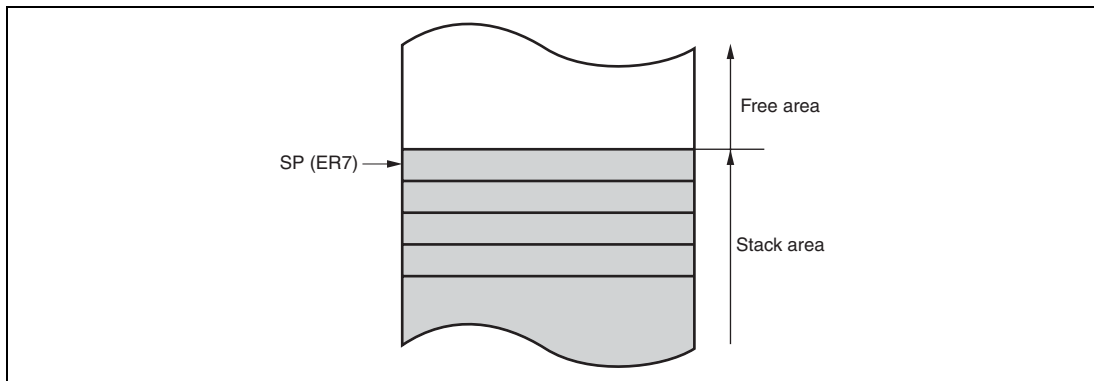
The R registers divide into 8-bit general registers designated by the letters RH (R0H to R7H) and RL (R0L to R7L). These registers are functionally equivalent, providing a maximum of sixteen 8-bit registers.

The usage of each register can be selected independently.

General register ER7 has the function of stack pointer (SP) in addition to its general-register function, and is used implicitly in exception handling and subroutine calls. Figure 2.8 shows the stack.



**Figure 2.7 Usage of General Registers**



**Figure 2.8 Stack**

### 2.4.2 Program Counter (PC)

This 24-bit counter indicates the address of the next instruction the CPU will execute. The length of all CPU instructions is 2 bytes (one word), so the least significant PC bit is ignored. (When an instruction is fetched, the least significant PC bit is regarded as 0).

### 2.4.3 Extended Control Register (EXR)

EXR is an 8-bit register that manipulates the LDC, STC, ANDC, ORC, and XORC instructions. When these instructions, except for the STC instruction, are executed, all interrupts including NMI will be masked for three states after execution is completed.

Bit	Bit Name	Initial Value	R/W	Description
7	T	0	R/W	Trace Bit When this bit is set to 1, a trace exception is generated each time an instruction is executed. When this bit is cleared to 0, instructions are executed in sequence.
6 to 3	—	All 1	—	Reserved These bits are always read as 1.
2	I2	1	R/W	These bits designate the interrupt mask level (0 to 7).
1	I1	1	R/W	For details, refer to section 5, Interrupt Controller.
0	I0	1	R/W	

#### 2.4.4 Condition-Code Register (CCR)

This 8-bit register contains internal CPU status information, including an interrupt mask bit (I) and half-carry (H), negative (N), zero (Z), overflow (V), and carry (C) flags.

Operations can be performed on the CCR bits by the LDC, STC, ANDC, ORC, and XORC instructions. The N, Z, V, and C flags are used as branching conditions for conditional branch (Bcc) instructions.

Bit	Bit Name	Initial Value	R/W	Description
7	I	1	R/W	<p>Interrupt Mask Bit</p> <p>Masks interrupts other than NMI when set to 1. NMI is accepted regardless of the I bit setting. The I bit is set to 1 at the start of an exception-handling sequence. For details, refer to section 5, Interrupt Controller.</p>
6	UI	Undefined	R/W	<p>User Bit or Interrupt Mask Bit</p> <p>Can be read or written by software using the LDC, STC, ANDC, ORC, and XORC instructions. This bit cannot be used as an interrupt mask bit in this LSI.</p>
5	H	Undefined	R/W	<p>Half-Carry Flag</p> <p>When the ADD.B, ADDX.B, SUB.B, SUBX.B, CMP.B, or NEG.B instruction is executed, this flag is set to 1 if there is a carry or borrow at bit 3, and cleared to 0 otherwise. When the ADD.W, SUB.W, CMP.W, or NEG.W instruction is executed, the H flag is set to 1 if there is a carry or borrow at bit 11, and cleared to 0 otherwise. When the ADD.L, SUB.L, CMP.L, or NEG.L instruction is executed, the H flag is set to 1 if there is a carry or borrow at bit 27, and cleared to 0 otherwise.</p>
4	U	Undefined	R/W	<p>User Bit</p> <p>Can be read or written by software using the LDC, STC, ANDC, ORC, and XORC instructions.</p>
3	N	Undefined	R/W	<p>Negative Flag</p> <p>Stores the value of the most significant bit of data as a sign bit.</p>
2	Z	Undefined	R/W	<p>Zero Flag</p> <p>Set to 1 to indicate zero data, and cleared to 0 to indicate non-zero data.</p>



Bit	Bit Name	Initial Value	R/W	Description
1	V	Undefined	R/W	<p>Overflow Flag</p> <p>Set to 1 when an arithmetic overflow occurs, and cleared to 0 at other times.</p>
0	C	Undefined	R/W	<p>Carry Flag</p> <p>Set to 1 when a carry occurs, and cleared to 0 otherwise. Used by:</p> <ul style="list-style-type: none"> <li>• Add instructions, to indicate a carry</li> <li>• Subtract instructions, to indicate a borrow</li> <li>• Shift and rotate instructions, to indicate a carry</li> </ul> <p>The carry flag is also used as a bit accumulator by bit manipulation instructions.</p>

#### 2.4.5 Multiply-Accumulate Register (MAC)

This 64-bit register stores the results of multiply-and-accumulate operations. It consists of two 32-bit registers denoted MACH and MACL. The lower 10 bits of MACH are valid; the upper bits are a sign extension.

#### 2.4.6 Initial Values of CPU Registers

Reset exception handling loads the CPU's program counter (PC) from the vector table, clears the trace bit in EXR to 0, and sets the interrupt mask bits in CCR and EXR to 1. The other CCR bits and the general registers are not initialized. In particular, the stack pointer (ER7) is not initialized. The stack pointer should therefore be initialized by an MOV.L instruction executed immediately after a reset.

## 2.5 Data Formats

The H8S/2600 CPU can process 1-bit, 4-bit (BCD), 8-bit (byte), 16-bit (word), and 32-bit (longword) data. Bit-manipulation instructions operate on 1-bit data by accessing bit  $n$  ( $n = 0, 1, 2, \dots, 7$ ) of byte operand data. The DAA and DAS decimal-adjust instructions treat byte data as two digits of 4-bit BCD data.

### 2.5.1 General Register Data Formats

Figure 2.9 shows the data formats in general registers.

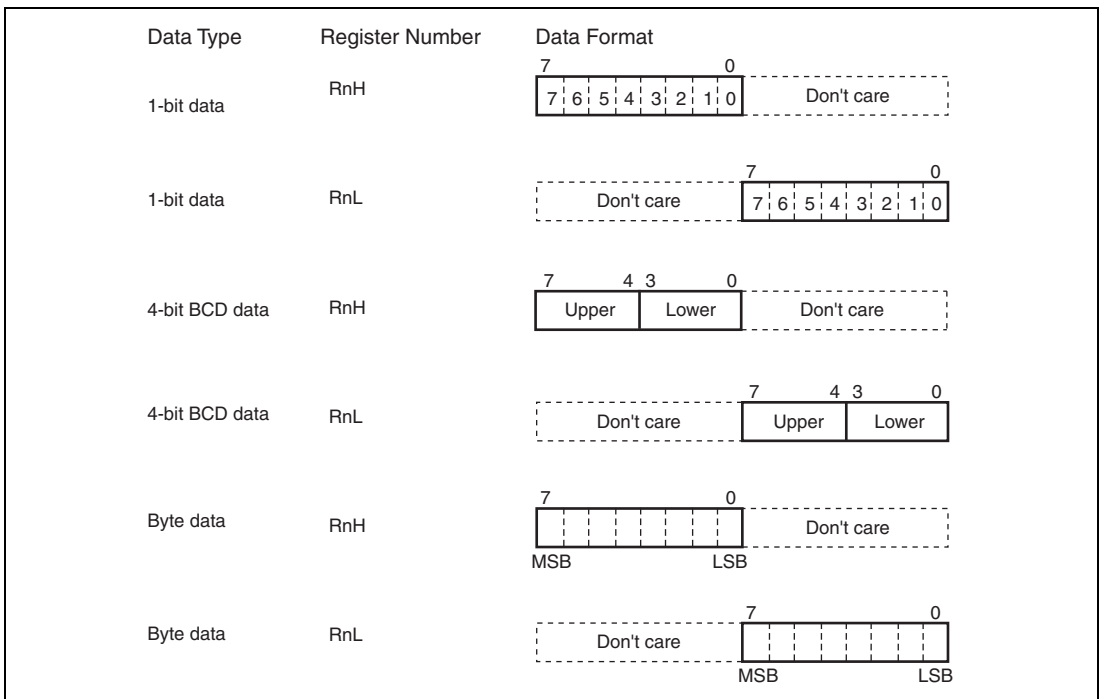
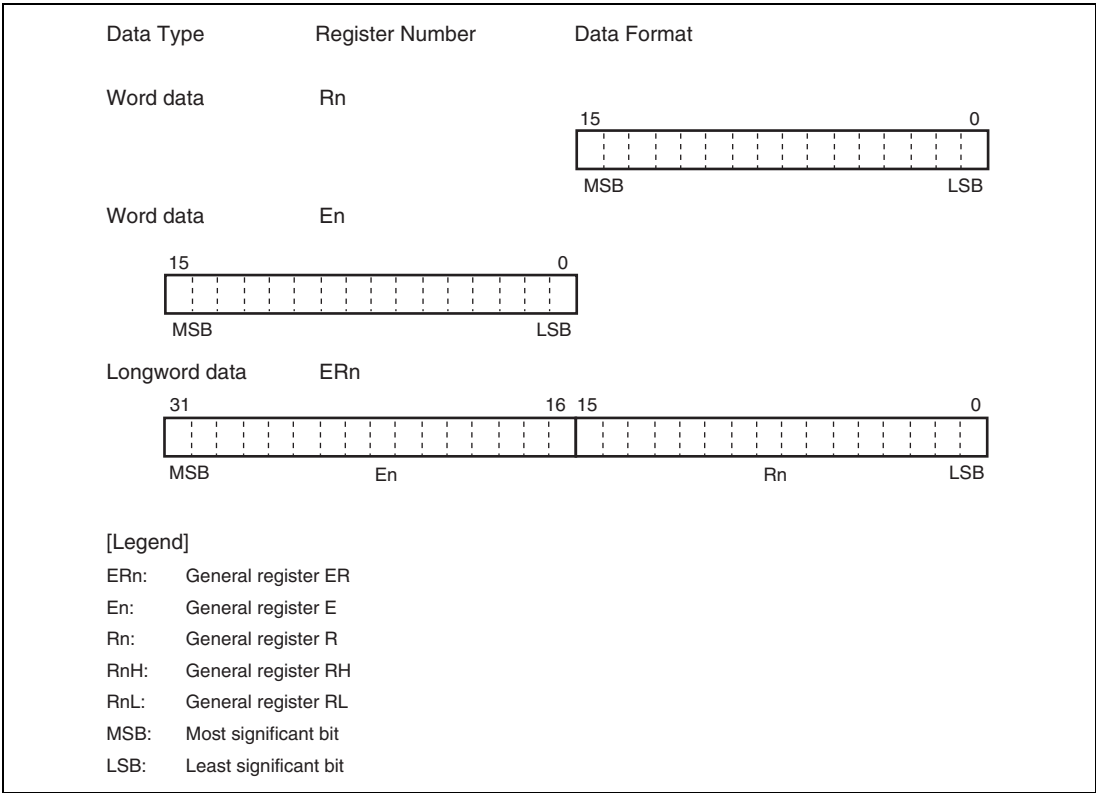


Figure 2.9 General Register Data Formats (1)

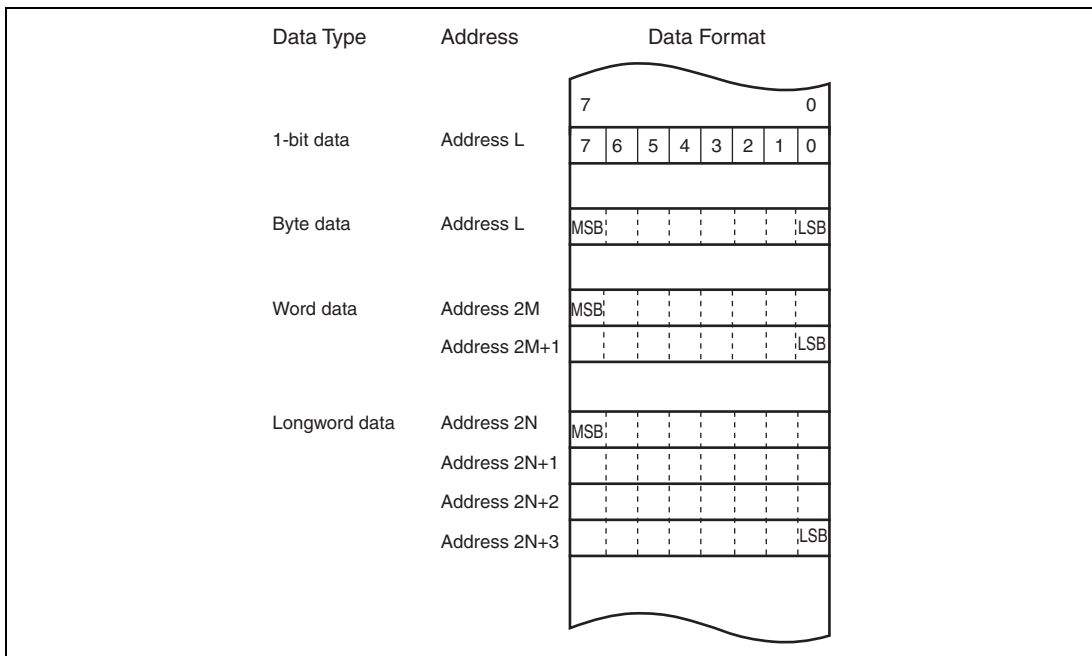


**Figure 2.9 General Register Data Formats (2)**

## 2.5.2 Memory Data Formats

Figure 2.10 shows the data formats in memory. The H8S/2600 CPU can access word data and longword data in memory, however word or longword data must begin at an even address. If an attempt is made to access word or longword data at an odd address, an address error does not occur, however the least significant bit of the address is regarded as 0, so access begins the preceding address. This also applies to instruction fetches.

When ER7 is used as an address register to access the stack, the operand size should be word or longword.



**Figure 2.10 Memory Data Formats**

## 2.6 Instruction Set

The H8S/2600 CPU has 69 instructions. The instructions are classified by function in table 2.1.

**Table 2.1 Instruction Classification**

Function	Instructions	Size	Types
Data transfer	MOV	B/W/L	5
	POP* <sup>1</sup> , PUSH* <sup>1</sup>	W/L	
	LDM, STM	L	
	MOVFPE* <sup>3</sup> , MOVTPE* <sup>3</sup>	B	
Arithmetic operation	ADD, SUB, CMP, NEG	B/W/L	23
	ADDX, SUBX, DAA, DAS	B	
	INC, DEC	B/W/L	
	ADDS, SUBS	L	
	MULXU, DIVXU, MULXS, DIVXS	B/W	
	EXTU, EXTS	W/L	
	TAS* <sup>4</sup>	B	
	MAC, LDMAC, STMAC, CLRMAC	—	
Logic operations	AND, OR, XOR, NOT	B/W/L	4
Shift	SHAL, SHAR, SHLL, SHLR, ROTL, ROTR, ROTXL, ROTXR	B/W/L	8
Bit manipulation	BSET, BCLR, BNOT, BTST, BLD, BILD, BST, BIST, BAND, BIAND, BOR, BIOR, BXOR, BIXOR	B	14
Branch	Bcc* <sup>2</sup> , JMP, BSR, JSR, RTS	—	5
System control	TRAPA, RTE, SLEEP, LDC, STC, ANDC, ORC, XORC, NOP	—	9
Block data transfer	EEPMOV	—	1

Total: 69

Notes: B-byte; W-word; L-longword.

1. POP.W Rn and PUSH.W Rn are identical to MOV.W @SP+,Rn and MOV.W Rn,@-SP. POP.L ERn and PUSH.L ERn are identical to MOV.L @SP+,ERn and MOV.L ERn,@-SP.
2. Bcc is the general name for conditional branch instructions.
3. Cannot be used in this LSI.
4. Only register ER0, ER1, ER4, or ER5 should be used when using the TAS instruction.

## 2.6.1 Table of Instructions Classified by Function

Tables 2.3 to 2.10 summarize the instructions in each functional category. The notation used in tables 2.3 to 2.10 is defined below.

**Table 2.2 Operation Notation**

Symbol	Description
Rd	General register (destination)*
Rs	General register (source)*
Rn	General register*
ERn	General register (32-bit register)
MAC	Multiply-accumulate register (32-bit register)
(EAd)	Destination operand
(EAs)	Source operand
EXR	Extended control register
CCR	Condition-code register
N	N (negative) flag in CCR
Z	Z (zero) flag in CCR
V	V (overflow) flag in CCR
C	C (carry) flag in CCR
PC	Program counter
SP	Stack pointer
#IMM	Immediate data
disp	Displacement
+	Addition
−	Subtraction
×	Multiplication
÷	Division
^	Logical AND
∨	Logical OR
⊕	Logical XOR
→	Move
~	NOT (logical complement)
:8/:16/:24/:32	8-, 16-, 24-, or 32-bit length

Note: \* General registers include 8-bit registers (R0H to R7H, R0L to R7L), 16-bit registers (R0 to R7, E0 to E7), and 32-bit registers (ER0 to ER7).

**Table 2.3 Data Transfer Instructions**

Instruction	Size*	Function
MOV	B/W/L	(EAs) → Rd, Rs → (EAd) Moves data between two general registers or between a general register and memory, or moves immediate data to a general register.
MOVFPPE	B	Cannot be used in this LSI.
MOVTPE	B	Cannot be used in this LSI.
POP	W/L	@SP+ → Rn Pops a general register from the stack. POP.W Rn is identical to MOV.W @SP+, Rn. POP.L ERn is identical to MOV.L @SP+, ERn.
PUSH	W/L	Rn → @-SP Pushes a general register onto the stack. PUSH.W Rn is identical to MOV.W Rn, @-SP. PUSH.L ERn is identical to MOV.L ERn, @-SP.
LDM	L	@SP+ → Rn (register list) Pops two or more general registers from the stack.
STM	L	Rn (register list) → @-SP Pushes two or more general registers onto the stack.

Note: \* Refers to the operand size.

B: Byte

W: Word

L: Longword

**Table 2.4 Arithmetic Operations Instructions (1)**

<b>Instruction</b>	<b>Size*</b>	<b>Function</b>
ADD SUB	B/W/L	$Rd \pm Rs \rightarrow Rd$ , $Rd \pm \#IMM \rightarrow Rd$ Performs addition or subtraction on data in two general registers, or on immediate data and data in a general register (immediate byte data cannot be subtracted from byte data in a general register. Use the SUBX or ADD instruction.)
ADDX SUBX	B	$Rd \pm Rs \pm C \rightarrow Rd$ , $Rd \pm \#IMM \pm C \rightarrow Rd$ Performs addition or subtraction with carry on byte data in two general registers, or on immediate data and data in a general register.
INC DEC	B/W/L	$Rd \pm 1 \rightarrow Rd$ , $Rd \pm 2 \rightarrow Rd$ Increments or decrements a general register by 1 or 2. (Byte operands can be incremented or decremented by 1 only.)
ADDS SUBS	L	$Rd \pm 1 \rightarrow Rd$ , $Rd \pm 2 \rightarrow Rd$ , $Rd \pm 4 \rightarrow Rd$ Adds or subtracts the value 1, 2, or 4 to or from data in a 32-bit register.
DAA DAS	B	$Rd$ decimal adjust $\rightarrow Rd$ Decimal-adjusts an addition or subtraction result in a general register by referring to the CCR to produce 4-bit BCD data.
MULXU	B/W	$Rd \times Rs \rightarrow Rd$ Performs unsigned multiplication on data in two general registers: either 8 bits $\times$ 8 bits $\rightarrow$ 16 bits or 16 bits $\times$ 16 bits $\rightarrow$ 32 bits.
MULXS	B/W	$Rd \times Rs \rightarrow Rd$ Performs signed multiplication on data in two general registers: either 8 bits $\times$ 8 bits $\rightarrow$ 16 bits or 16 bits $\times$ 16 bits $\rightarrow$ 32 bits.
DIVXU	B/W	$Rd \div Rs \rightarrow Rd$ Performs unsigned division on data in two general registers: either 16 bits $\div$ 8 bits $\rightarrow$ 8-bit quotient and 8-bit remainder or 32 bits $\div$ 16 bits $\rightarrow$ 16-bit quotient and 16-bit remainder.

Note: \* Refers to the operand size.

B: Byte

W: Word

L: Longword



**Table 2.4 Arithmetic Operations Instructions (2)**

Instruction	Size* <sup>1</sup>	Function
DIVXS	B/W	$Rd \div Rs \rightarrow Rd$ Performs signed division on data in two general registers: either 16 bits $\div$ 8 bits $\rightarrow$ 8-bit quotient and 8-bit remainder or 32 bits $\div$ 16 bits $\rightarrow$ 16-bit quotient and 16-bit remainder.
CMP	B/W/L	$Rd - Rs$ , $Rd - \#IMM$ Compares data in a general register with data in another general register or with immediate data, and sets CCR bits according to the result.
NEG	B/W/L	$0 - Rd \rightarrow Rd$ Takes the two's complement (arithmetic complement) of data in a general register.
EXTU	W/L	$Rd$ (zero extension) $\rightarrow Rd$ Extends the lower 8 bits of a 16-bit register to word size, or the lower 16 bits of a 32-bit register to longword size, by padding with zeros on the left.
EXTS	W/L	$Rd$ (sign extension) $\rightarrow Rd$ Extends the lower 8 bits of a 16-bit register to word size, or the lower 16 bits of a 32-bit register to longword size, by extending the sign bit.
TAS* <sup>2</sup>	B	$@ERd - 0, 1 \rightarrow (<bit\ 7> \text{ of } @ERd)$ Tests memory contents, and sets the most significant bit (bit 7) to 1.
MAC	—	$(EAs) \times (EAd) + MAC \rightarrow MAC$ Performs signed multiplication on memory contents and adds the result to the multiply-accumulate register. The following operations can be performed: 16 bits $\times$ 16 bits + 32 bits $\rightarrow$ 32 bits, saturating 16 bits $\times$ 16 bits + 42 bits $\rightarrow$ 42 bits, non-saturating
CLRMAC	—	$0 \rightarrow MAC$ Clears the multiply-accumulate register to zero.
LDMAC STMAC	L	$Rs \rightarrow MAC$ , $MAC \rightarrow Rd$ Transfers data between a general register and a multiply-accumulate register.

Note: 1. Refers to the operand size.

B: Byte

W: Word

L: Longword

2. Only register ER0, ER1, ER4, or ER5 should be used when using the TAS instruction.

**Table 2.5 Logic Operations Instructions**

Instruction	Size*	Function
AND	B/W/L	$Rd \wedge Rs \rightarrow Rd$ , $Rd \wedge \#IMM \rightarrow Rd$ Performs a logical AND operation on a general register and another general register or immediate data.
OR	B/W/L	$Rd \vee Rs \rightarrow Rd$ , $Rd \vee \#IMM \rightarrow Rd$ Performs a logical OR operation on a general register and another general register or immediate data.
XOR	B/W/L	$Rd \oplus Rs \rightarrow Rd$ , $Rd \oplus \#IMM \rightarrow Rd$ Performs a logical exclusive OR operation on a general register and another general register or immediate data.
NOT	B/W/L	$\sim(Rd) \rightarrow (Rd)$ Takes the one's complement (logical complement) of general register contents.

Note: \* Refers to the operand size.

B: Byte

W: Word

L: Longword

**Table 2.6 Shift Instructions**

Instruction	Size*	Function
SHAL SHAR	B/W/L	$Rd \text{ (shift)} \rightarrow Rd$ Performs an arithmetic shift on general register contents. 1-bit or 2-bit shifts are possible.
SHLL SHLR	B/W/L	$Rd \text{ (shift)} \rightarrow Rd$ Performs a logical shift on general register contents. 1-bit or 2-bit shifts are possible.
ROTL ROTR	B/W/L	$Rd \text{ (rotate)} \rightarrow Rd$ Rotates general register contents. 1-bit or 2-bit rotations are possible.
ROTXL ROTXR	B/W/L	$Rd \text{ (rotate)} \rightarrow Rd$ Rotates general register contents through the carry flag. 1-bit or 2-bit rotations are possible.

Note: \* Refers to the operand size.

B: Byte

W: Word

L: Longword

**Table 2.7 Bit Manipulation Instructions (1)**

Instruction	Size*	Function
BSET	B	$1 \rightarrow \langle \text{bit-No.} \rangle \text{ of } \langle \text{EAd} \rangle$ Sets a specified bit in a general register or memory operand to 1. The bit number is specified by 3-bit immediate data or the lower three bits of a general register.
BCLR	B	$0 \rightarrow \langle \text{bit-No.} \rangle \text{ of } \langle \text{EAd} \rangle$ Clears a specified bit in a general register or memory operand to 0. The bit number is specified by 3-bit immediate data or the lower three bits of a general register.
BNOT	B	$\sim \langle \text{bit-No.} \rangle \text{ of } \langle \text{EAd} \rangle \rightarrow \langle \text{bit-No.} \rangle \text{ of } \langle \text{EAd} \rangle$ Inverts a specified bit in a general register or memory operand. The bit number is specified by 3-bit immediate data or the lower three bits of a general register.
BTST	B	$\sim \langle \text{bit-No.} \rangle \text{ of } \langle \text{EAd} \rangle \rightarrow Z$ Tests a specified bit in a general register or memory operand and sets or clears the Z flag accordingly. The bit number is specified by 3-bit immediate data or the lower three bits of a general register.
BAND	B	$C \wedge \langle \text{bit-No.} \rangle \text{ of } \langle \text{EAd} \rangle \rightarrow C$ ANDs the carry flag with a specified bit in a general register or memory operand and stores the result in the carry flag.
BIAND	B	$C \wedge [\sim \langle \text{bit-No.} \rangle \text{ of } \langle \text{EAd} \rangle] \rightarrow C$ ANDs the carry flag with the inverse of a specified bit in a general register or memory operand and stores the result in the carry flag. The bit number is specified by 3-bit immediate data.
BOR	B	$C \vee \langle \text{bit-No.} \rangle \text{ of } \langle \text{EAd} \rangle \rightarrow C$ ORs the carry flag with a specified bit in a general register or memory operand and stores the result in the carry flag.
BIOR	B	$C \vee [\sim \langle \text{bit-No.} \rangle \text{ of } \langle \text{EAd} \rangle] \rightarrow C$ ORs the carry flag with the inverse of a specified bit in a general register or memory operand and stores the result in the carry flag. The bit number is specified by 3-bit immediate data.

Note: \* Refers to the operand size.

B: Byte

**Table 2.7 Bit Manipulation Instructions (2)**

<b>Instruction</b>	<b>Size*<sup>1</sup></b>	<b>Function</b>
BXOR	B	$C \oplus (\text{<bit-No.> of <EAd>}) \rightarrow C$ XORs the carry flag with a specified bit in a general register or memory operand and stores the result in the carry flag.
BIXOR	B	$C \oplus [\sim(\text{<bit-No.> of <EAd>})] \rightarrow C$ XORs the carry flag with the inverse of a specified bit in a general register or memory operand and stores the result in the carry flag. The bit number is specified by 3-bit immediate data.
BLD	B	$(\text{<bit-No.> of <EAd>}) \rightarrow C$ Transfers a specified bit in a general register or memory operand to the carry flag.
BILD	B	$\sim(\text{<bit-No.> of <EAd>}) \rightarrow C$ Transfers the inverse of a specified bit in a general register or memory operand to the carry flag. The bit number is specified by 3-bit immediate data.
BST	B	$C \rightarrow (\text{<bit-No.> of <EAd>})$ Transfers the carry flag value to a specified bit in a general register or memory operand.
BIST	B	$\sim C \rightarrow (\text{<bit-No.> of <EAd>})$ Transfers the inverse of the carry flag value to a specified bit in a general register or memory operand. The bit number is specified by 3-bit immediate data.

Note: \* Refers to the operand size.

B: Byte

**Table 2.8 Branch Instructions**

<b>Instruction</b>	<b>Size</b>	<b>Function</b>																																																			
Bcc	—	Branches to a specified address if a specified condition is true. The branching conditions are listed below.																																																			
		<table border="1"> <thead> <tr> <th><b>Mnemonic</b></th> <th><b>Description</b></th> <th><b>Condition</b></th> </tr> </thead> <tbody> <tr> <td>BRA(BT)</td> <td>Always (true)</td> <td>Always</td> </tr> <tr> <td>BRN(BF)</td> <td>Never (false)</td> <td>Never</td> </tr> <tr> <td>BHI</td> <td>High</td> <td><math>C \vee Z = 0</math></td> </tr> <tr> <td>BLS</td> <td>Low or same</td> <td><math>C \vee Z = 1</math></td> </tr> <tr> <td>BCC(BHS)</td> <td>Carry clear (high or same)</td> <td><math>C = 0</math></td> </tr> <tr> <td>BCS(BLO)</td> <td>Carry set (low)</td> <td><math>C = 1</math></td> </tr> <tr> <td>BNE</td> <td>Not equal</td> <td><math>Z = 0</math></td> </tr> <tr> <td>BEQ</td> <td>Equal</td> <td><math>Z = 1</math></td> </tr> <tr> <td>BVC</td> <td>Overflow clear</td> <td><math>V = 0</math></td> </tr> <tr> <td>BVS</td> <td>Overflow set</td> <td><math>V = 1</math></td> </tr> <tr> <td>BPL</td> <td>Plus</td> <td><math>N = 0</math></td> </tr> <tr> <td>BMI</td> <td>Minus</td> <td><math>N = 1</math></td> </tr> <tr> <td>BGE</td> <td>Greater or equal</td> <td><math>N \oplus V = 0</math></td> </tr> <tr> <td>BLT</td> <td>Less than</td> <td><math>N \oplus V = 1</math></td> </tr> <tr> <td>BGT</td> <td>Greater than</td> <td><math>Z \vee (N \oplus V) = 0</math></td> </tr> <tr> <td>BLE</td> <td>Less or equal</td> <td><math>Z \vee (N \oplus V) = 1</math></td> </tr> </tbody> </table>	<b>Mnemonic</b>	<b>Description</b>	<b>Condition</b>	BRA(BT)	Always (true)	Always	BRN(BF)	Never (false)	Never	BHI	High	$C \vee Z = 0$	BLS	Low or same	$C \vee Z = 1$	BCC(BHS)	Carry clear (high or same)	$C = 0$	BCS(BLO)	Carry set (low)	$C = 1$	BNE	Not equal	$Z = 0$	BEQ	Equal	$Z = 1$	BVC	Overflow clear	$V = 0$	BVS	Overflow set	$V = 1$	BPL	Plus	$N = 0$	BMI	Minus	$N = 1$	BGE	Greater or equal	$N \oplus V = 0$	BLT	Less than	$N \oplus V = 1$	BGT	Greater than	$Z \vee (N \oplus V) = 0$	BLE	Less or equal	$Z \vee (N \oplus V) = 1$
<b>Mnemonic</b>	<b>Description</b>	<b>Condition</b>																																																			
BRA(BT)	Always (true)	Always																																																			
BRN(BF)	Never (false)	Never																																																			
BHI	High	$C \vee Z = 0$																																																			
BLS	Low or same	$C \vee Z = 1$																																																			
BCC(BHS)	Carry clear (high or same)	$C = 0$																																																			
BCS(BLO)	Carry set (low)	$C = 1$																																																			
BNE	Not equal	$Z = 0$																																																			
BEQ	Equal	$Z = 1$																																																			
BVC	Overflow clear	$V = 0$																																																			
BVS	Overflow set	$V = 1$																																																			
BPL	Plus	$N = 0$																																																			
BMI	Minus	$N = 1$																																																			
BGE	Greater or equal	$N \oplus V = 0$																																																			
BLT	Less than	$N \oplus V = 1$																																																			
BGT	Greater than	$Z \vee (N \oplus V) = 0$																																																			
BLE	Less or equal	$Z \vee (N \oplus V) = 1$																																																			
JMP	—	Branches unconditionally to a specified address.																																																			
BSR	—	Branches to a subroutine at a specified address.																																																			
JSR	—	Branches to a subroutine at a specified address.																																																			
RTS	—	Returns from a subroutine																																																			

**Table 2.9 System Control Instructions**

<b>Instruction</b>	<b>Size*</b>	<b>Function</b>
TRAPA	—	Starts trap-instruction exception handling.
RTE	—	Returns from an exception-handling routine.
SLEEP	—	Causes a transition to a power-down state.
LDC	B/W	(EAs) → CCR, (EAs) → EXR Moves general register or memory contents or immediate data to CCR or EXR. Although CCR and EXR are 8-bit registers, word-size transfers are performed between them and memory. The upper 8 bits are valid.
STC	B/W	CCR → (EAd), EXR → (EAd) Transfers CCR or EXR contents to a general register or memory. Although CCR and EXR are 8-bit registers, word-size transfers are performed between them and memory. The upper 8 bits are valid.
ANDC	B	CCR ∧ #IMM → CCR, EXR ∧ #IMM → EXR Logically ANDs the CCR or EXR contents with immediate data.
ORC	B	CCR ∨ #IMM → CCR, EXR ∨ #IMM → EXR Logically ORs the CCR or EXR contents with immediate data.
XORC	B	CCR ⊕ #IMM → CCR, EXR ⊕ #IMM → EXR Logically XORs the CCR or EXR contents with immediate data.
NOP	—	PC + 2 → PC Only increments the program counter.

Note: \* Refers to the operand size.

B: Byte

W: Word

**Table 2.10 Block Data Transfer Instructions**

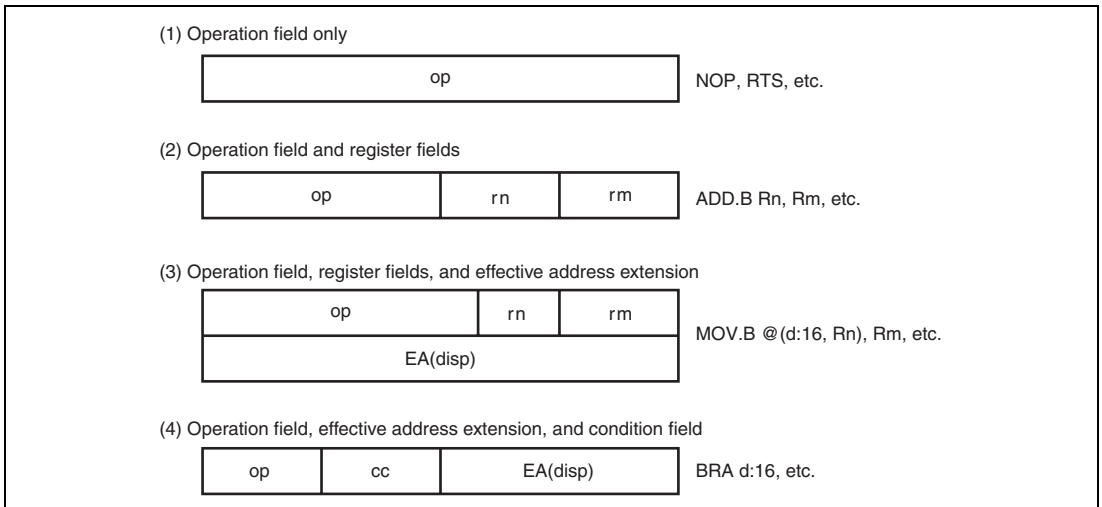
<b>Instruction</b>	<b>Size</b>	<b>Function</b>
EEPMOV.B	—	<pre> if R4L ≠ 0 then   Repeat @ER5+ → @ER6+     R4L-1 → R4L   Until R4L = 0 else next; </pre>
EEPMOV.W	—	<pre> if R4 ≠ 0 then   Repeat @ER5+ → @ER6+     R4-1 → R4   Until R4 = 0 else next; </pre> <p>Transfers a data block. Starting from the address set in ER5, transfers data for the number of bytes set in R4L or R4 to the address location set in ER6.</p> <p>Execution of the next instruction begins as soon as the transfer is completed.</p>

## 2.6.2 Basic Instruction Formats

The H8S/2600 CPU instructions consist of 2-byte (1-word) units. An instruction consists of an operation field (op field), a register field (r field), an effective address extension (EA field), and a condition field (cc).

Figure 2.11 shows examples of instruction formats.

- **Operation Field**  
Indicates the function of the instruction, the addressing mode, and the operation to be carried out on the operand. The operation field always includes the first four bits of the instruction. Some instructions have two operation fields.
- **Register Field**  
Specifies a general register. Address registers are specified by 3 bits, and data registers by 3 bits or 4 bits. Some instructions have two register fields. Some have no register field.
- **Effective Address Extension**  
8, 16, or 32 bits specifying immediate data, an absolute address, or a displacement.
- **Condition Field**  
Specifies the branching condition of Bcc instructions.



**Figure 2.11 Instruction Formats (Examples)**



## 2.7 Addressing Modes and Effective Address Calculation

The H8S/2600 CPU supports the eight addressing modes listed in table 2.11. Each instruction uses a subset of these addressing modes. Arithmetic and logic instructions can use the register direct and immediate modes. Data transfer instructions can use all addressing modes except program-counter relative and memory indirect. Bit manipulation instructions use register direct, register indirect, or the absolute addressing mode to specify an operand, and register direct (BSET, BCLR, BNOT, and BTST instructions) or immediate (3-bit) addressing mode to specify a bit number in the operand.

**Table 2.11 Addressing Modes**

No.	Addressing Mode	Symbol
1	Register direct	Rn
2	Register indirect	@ERn
3	Register indirect with displacement	@(d:16,ERn)/@(d:32,ERn)
4	Register indirect with post-increment Register indirect with pre-decrement	@ERn+ @-ERn
5	Absolute address	@aa:8/@aa:16/@aa:24/@aa:32
6	Immediate	#xx:8/#xx:16/#xx:32
7	Program-counter relative	@(d:8,PC)/@(d:16,PC)
8	Memory indirect	@@aa:8

### 2.7.1 Register Direct—Rn

The register field of the instruction specifies an 8-, 16-, or 32-bit general register containing the operand. R0H to R7H and R0L to R7L can be specified as 8-bit registers. R0 to R7 and E0 to E7 can be specified as 16-bit registers. ER0 to ER7 can be specified as 32-bit registers.

### 2.7.2 Register Indirect—@ERn

The register field of the instruction code specifies an address register (ERn) which contains the address of the operand on memory. If the address is a program instruction address, the lower 24 bits are valid and the upper 8 bits are all assumed to be 0 (H'00).

### 2.7.3 Register Indirect with Displacement—@(**d:16**, ERn) or @(**d:32**, ERn)

A 16-bit or 32-bit displacement contained in the instruction is added to an address register (ERn) specified by the register field of the instruction, and the sum gives the address of a memory operand. A 16-bit displacement is sign-extended when added.

### 2.7.4 Register Indirect with Post-Increment or Pre-Decrement—@ERn+ or @-ERn

**Register indirect with post-increment—@ERn+:** The register field of the instruction code specifies an address register (ERn) which contains the address of a memory operand. After the operand is accessed, 1, 2, or 4 is added to the address register contents and the sum is stored in the address register. The value added is 1 for byte access, 2 for word transfer instruction, or 4 for longword transfer instruction. For the word or longword transfer instructions, the register value should be even.

**Register indirect with pre-decrement—@-ERn:** The value 1, 2, or 4 is subtracted from an address register (ERn) specified by the register field in the instruction code, and the result is the address of a memory operand. The result is also stored in the address register. The value subtracted is 1 for byte access, 2 for word transfer instruction, or 4 for longword transfer instruction. For the word or longword transfer instructions, the register value should be even.

### 2.7.5 Absolute Address—@aa:8, @aa:16, @aa:24, or @aa:32

The instruction code contains the absolute address of a memory operand. The absolute address may be 8 bits long (@aa:8), 16 bits long (@aa:16), 24 bits long (@aa:24), or 32 bits long (@aa:32). Table 2.12 indicates the accessible absolute address ranges.

To access data, the absolute address should be 8 bits (@aa:8), 16 bits (@aa:16), or 32 bits (@aa:32) long. For an 8-bit absolute address, the upper 24 bits are all assumed to be 1 (H'FFFF). For a 16-bit absolute address the upper 16 bits are a sign extension. A 32-bit absolute address can access the entire address space.

A 24-bit absolute address (@aa:24) indicates the address of a program instruction. The upper 8 bits are all assumed to be 0 (H'00).

**Table 2.12 Absolute Address Access Ranges**

<b>Absolute Address</b>		<b>Normal Mode*</b>	<b>Advanced Mode</b>
Data address	8 bits (@aa:8)	H'FFF0 to H'FFFF	H'FFFFF0 to H'FFFFFF
	16 bits (@aa:16)	H'0000 to H'FFFF	H'000000 to H'007FFF, H'FF8000 to H'FFFFFF
	32 bits (@aa:32)		H'000000 to H'FFFFFF
Program instruction address	24 bits (@aa:24)		

Note: Normal mode is not available in this LSI.

### 2.7.6 Immediate—#xx:8, #xx:16, or #xx:32

The instruction contains 8-bit (#xx:8), 16-bit (#xx:16), or 32-bit (#xx:32) immediate data as an operand.

The ADDS, SUBS, INC, and DEC instructions contain immediate data implicitly. Some bit manipulation instructions contain 3-bit immediate data in the instruction code, specifying a bit number. The TRAPA instruction contains 2-bit immediate data in its instruction code, specifying a vector address.

### 2.7.7 Program-Counter Relative—@(d:8, PC) or @(d:16, PC)

This mode is used in the Bcc and BSR instructions. An 8-bit or 16-bit displacement contained in the instruction is sign-extended and added to the 24-bit PC contents to generate a branch address. Only the lower 24 bits of this branch address are valid; the upper 8 bits are all assumed to be 0 (H'00). The PC value to which the displacement is added is the address of the first byte of the next instruction, so the possible branching range is -126 to +128 bytes (-63 to +64 words) or -32766 to +32768 bytes (-16383 to +16384 words) from the branch instruction. The resulting value should be an even number.

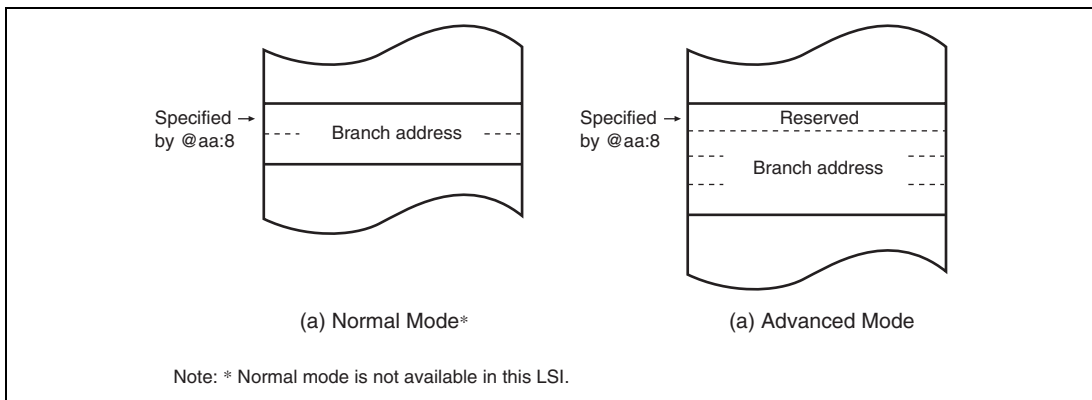
### 2.7.8 Memory Indirect—@@aa:8

This mode can be used by the JMP and JSR instructions. The instruction code contains an 8-bit absolute address specifying a memory operand. This memory operand contains a branch address. The upper bits of the absolute address are all assumed to be 0, so the address range is 0 to 255 (H'0000 to H'00FF in normal mode, H'000000 to H'0000FF in advanced mode). In normal mode, the memory operand is a word operand and the branch address is 16 bits long. In advanced mode, the memory operand is a longword operand, the first byte of which is assumed to be 0 (H'00).

Note that the first part of the address range is also the exception vector area. For further details, refer to section 4, Exception Handling.

If an odd address is specified in word or longword memory access, or as a branch address, the least significant bit is regarded as 0, causing data to be accessed or instruction code to be fetched at the address preceding the specified address. (For further information, see section 2.5.2, Memory Data Formats.)

Note: Normal mode is not available in this LSI.






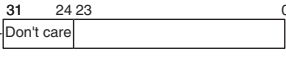
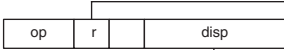
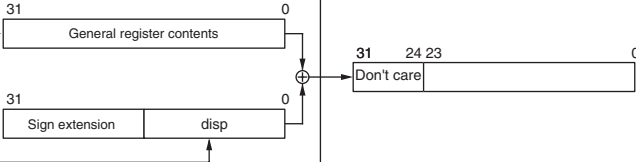
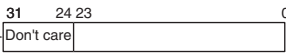


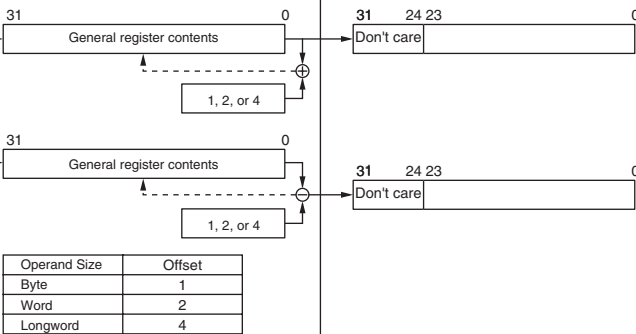
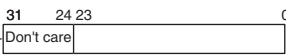

**Figure 2.12 Branch Address Specification in Memory Indirect Mode**

### 2.7.9 Effective Address Calculation

Table 2.13 indicates how effective addresses are calculated in each addressing mode. In normal mode the upper 8 bits of the effective address are ignored in order to generate a 16-bit address.

Note: Normal mode is not available in this LSI.

**Table 2.13 Effective Address Calculation (1)**

No	Addressing Mode and Instruction Format	Effective Address Calculation	Effective Address (EA)								
1	Register direct(Rn) 		Operand is general register contents.								
2	Register indirect(@ERn) 										
3	Register indirect with displacement @(d:16,ERn) or @(d:32,ERn) 										
4	Register indirect with post-increment or pre-decrement •Register indirect with post-increment @ERn+  •Register indirect with pre-decrement @-ERn 	 <table border="1" style="margin-left: auto; margin-right: auto;"> <thead> <tr> <th>Operand Size</th> <th>Offset</th> </tr> </thead> <tbody> <tr> <td>Byte</td> <td>1</td> </tr> <tr> <td>Word</td> <td>2</td> </tr> <tr> <td>Longword</td> <td>4</td> </tr> </tbody> </table>	Operand Size	Offset	Byte	1	Word	2	Longword	4	 
Operand Size	Offset										
Byte	1										
Word	2										
Longword	4										

**Table 2.13 Effective Address Calculation (2)**

No	Addressing Mode and Instruction Format	Effective Address Calculation	Effective Address (EA)
5	Absolute address @aa:8 		
	@aa:16 		
	@aa:24 		
	@aa:32 		
6	Immediate #xx:8/#xx:16/#xx:32 		Operand is immediate data.
7	Program-counter relative @(d:8,PC)/@(d:16,PC) 		
8	Memory indirect @aa:8 • Normal mode* 		
	• Advanced mode 		

Note: \* Normal mode is not available in this LSI.

## 2.8 Processing States

The H8S/2600 CPU has five main processing states: the reset state, exception handling state, program execution state, bus-released state, and power-down state. Figure 2.13 indicates the state transitions.

- **Reset State**

In this state, the CPU and all on-chip peripheral modules are initialized and not operating. When the  $\overline{\text{RES}}$  input goes low, all current processing stops and the CPU enters the reset state. All interrupts are masked in the reset state. Reset exception handling starts when the  $\overline{\text{RES}}$  signal changes from low to high. For details, refer to section 4, Exception Handling.

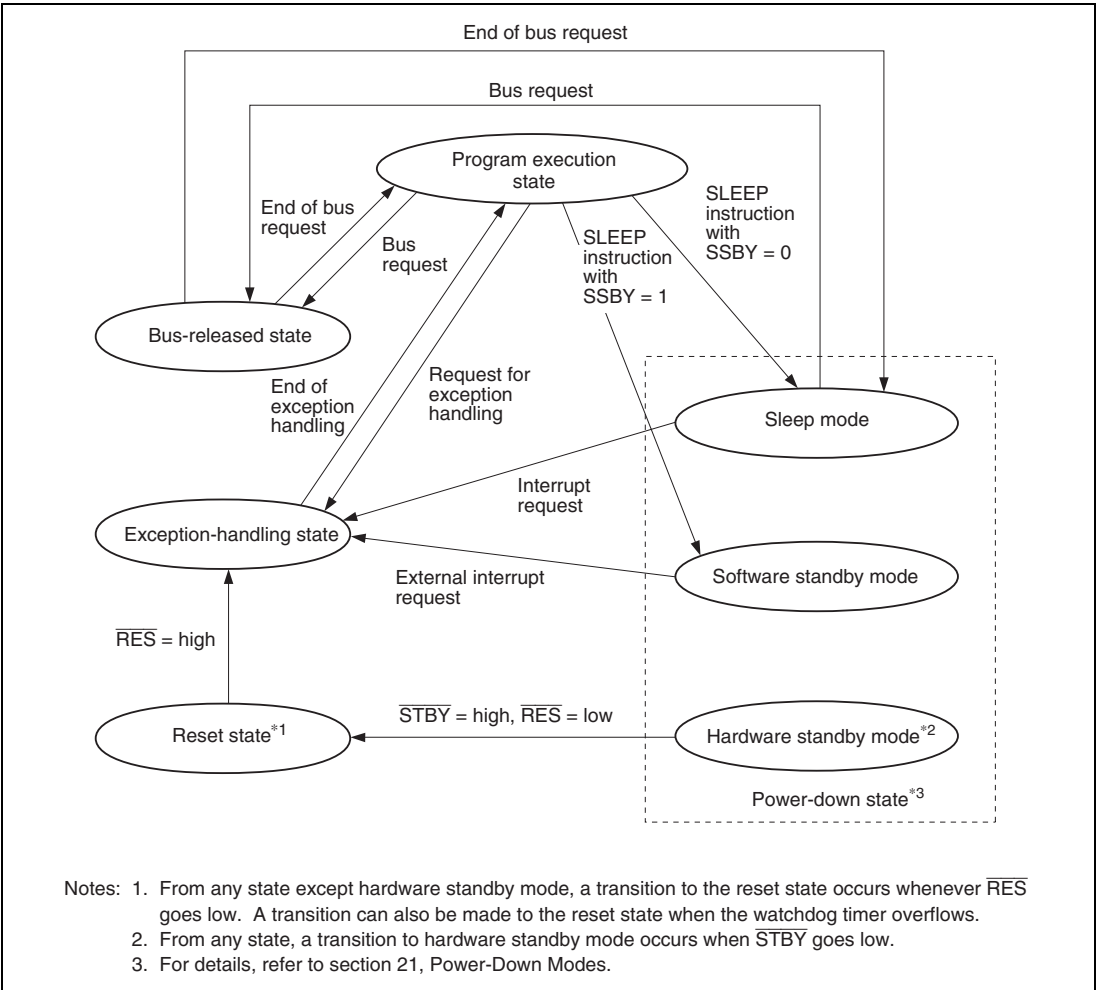
The reset state can also be entered by a watchdog timer overflow.
- **Exception-Handling State**

The exception-handling state is a transient state that occurs when the CPU alters the normal processing flow due to an exception source, such as a reset, trace, interrupt, or trap instruction. The CPU fetches a start address (vector) from the exception vector table and branches to that address. For further details, refer to section 4, Exception Handling.
- **Program Execution State**

In this state, the CPU executes program instructions in sequence.
- **Bus-Released State**

The bus has been released in response to a bus request from a bus master other than the CPU. While the bus is released, the CPU halts operations.
- **Program stop state**

This is a power-down state in which the CPU stops operating. The program stop state occurs when a SLEEP instruction is executed or the CPU enters hardware standby mode. For further details, refer to section 21, Power-Down Modes.



**Figure 2.13 State Transitions**



## 2.9 Usage Note

### 2.9.1 Notes on Using the Bit Operation Instruction

Instructions BSET, BCLR, BNOT, BST, and BIST read data in byte units, and write data in byte units after bit operation. Therefore, attention must be paid when these instructions are used for ports or registers including write-only bits.

Instruction BCLR can be used to clear the flag in the internal I/O register to 0. If it is obvious that the flag has been set to 1 by the interrupt processing routine, it is unnecessary to read the flag beforehand.



## Section 3 MCU Operating Modes

### 3.1 Operating Mode Selection

This LSI supports four operating modes (modes 4 to 7). These modes are determined by the mode pin (MD2 to MD0) setting. Do not change the mode pin settings during operation.

**Table 3.1 MCU Operating Mode Selection**

MCU Operating Mode	MD2	MD1	MD0	CPU Operating Mode	Description	On-Chip ROM
4	1	0	0	Advanced mode	Expanded mode with on-chip ROM disabled	Disabled
5	1	0	1	Advanced mode	Expanded mode with on-chip ROM disabled	Disabled
6	1	1	0	Advanced mode	Expanded mode with on-chip ROM enabled	Enabled
7	1	1	1	Advanced mode	Single-chip mode	Enabled

## 3.2 Register Descriptions

The following registers are related to the operating mode.

- Mode control register (MDCR)
- System control register (SYSCR)

### 3.2.1 Mode Control Register (MDCR)

Bit	Bit Name	Initial Value	R/W	Descriptions
7	—	1	—	Reserved This bit is always read as 1 and cannot be modified.
6 to 3	—	All 0	—	Reserved These bits are always read as 0 and cannot be modified.
2	MDS2	—*	R	Mode select 2 to 0
1	MDS1	—*	R	These bits indicate the input levels at pins MD2 to MD0 (the current operating mode). Bits MDS2 to MDS0 correspond to MD2 to MD0. MDS2 to MDS0 are read-only bits and they cannot be written to. The mode pin (MD2 to MD0) input levels are latched into these bits when MDCR is read. These latches are canceled by a reset. These latches are canceled by a power-on reset.
0	MDS0	—*	R	

Note: \* Determined by pins MD2 to MD0.

### 3.2.2 System Control Register (SYSCR)

SYSCR selects saturating or non-saturating calculation for the MAC instruction, selects the interrupt control mode and the detected edge for NMI, and enables or disables on-chip RAM.

Bit	Bit Name	Initial Value	R/W	Descriptions
7	MACS	0	R/W	<p>MAC Saturation</p> <p>Selects either saturating or non-saturating calculation for the MAC instruction.</p> <p>0: Non-saturating calculation for the MAC instruction</p> <p>1: Saturating calculation for the MAC instruction</p>
6	—	0	—	<p>Reserved</p> <p>This bit is always read as 0 and cannot be modified.</p>
5	INTM1	0	R/W	<p>These bits select the control mode of the interrupt controller. For details of the interrupt control modes, see section 5.6, Interrupt Control Modes and Interrupt Operation.</p> <p>00: Interrupt control mode 0</p> <p>01: Setting prohibited</p> <p>10: Interrupt control mode 2</p> <p>11: Setting prohibited</p>
4	INTM0	0	R/W	
3	NMIEG	0	R/W	<p>NMI Edge Select</p> <p>Selects the valid edge of the NMI interrupt input.</p> <p>0: An interrupt is requested at the falling edge of NMI input</p> <p>1: An interrupt is requested at the rising edge of NMI input</p>
2, 1	—	All 0	—	<p>Reserved</p> <p>These bits are always read as 0 and cannot be modified.</p>
0	RAME	1	R/W	<p>RAM Enable</p> <p>Enables or disables on-chip RAM. The RAME bit is initialized when the reset status is released.</p> <p>0: On-chip RAM is disabled</p> <p>1: On-chip RAM is enabled</p>

## 3.3 Operating Mode Descriptions

### 3.3.1 Mode 4

The CPU can access a 16-Mbyte address space in advanced mode. The on-chip ROM is disabled. Ports A, B, and C function as an address bus, ports D and E function as a data bus, and part of port F carries bus control signals.

The bus mode immediately after a reset is 16 bits, with 16-bit access to all areas. However, note that if 8-bit access is designated by the bus controller for all areas, the bus mode switches to 8 bits.

### 3.3.2 Mode 5

The CPU can access a 16-Mbyte address space in advanced mode. The on-chip ROM is disabled. Ports A, B, and C function as an address bus, port D functions as a data bus, and part of port F carries bus control signals.

The bus mode immediately after a reset is 8 bits, with 8-bit access to all areas. However, note that if 16-bit access is designated by the bus controller for any area, the bus mode switches to 16 bits and port E becomes a data bus.

### 3.3.3 Mode 6

The CPU can access a 16-Mbyte address space in advanced mode. The on-chip ROM is enabled. Ports A, B, and C function as input port pins immediately after a reset. Address output can be performed by setting the corresponding DDR (data direction register) bits to 1. Port D functions as a data bus, and part of port F carries bus control signals.

The bus mode immediately after a reset is 8 bits, with 8-bit access to all areas. However, note that if 16-bit access is designated by the bus controller for any area, the bus mode switches to 16 bits and port E becomes a data bus.

### 3.3.4 Mode 7

The CPU can access a 16-Mbyte address space in advanced mode. The on-chip ROM is enabled, but external addresses cannot be accessed. All I/O ports are available for use as input/output ports.

### 3.4 Pin Functions in Each Operating Mode

The pin functions of ports A to F vary depending on the operating mode. Table 3.2 shows their functions in each operating mode.

**Table 3.2 Pin Functions in Each Mode**

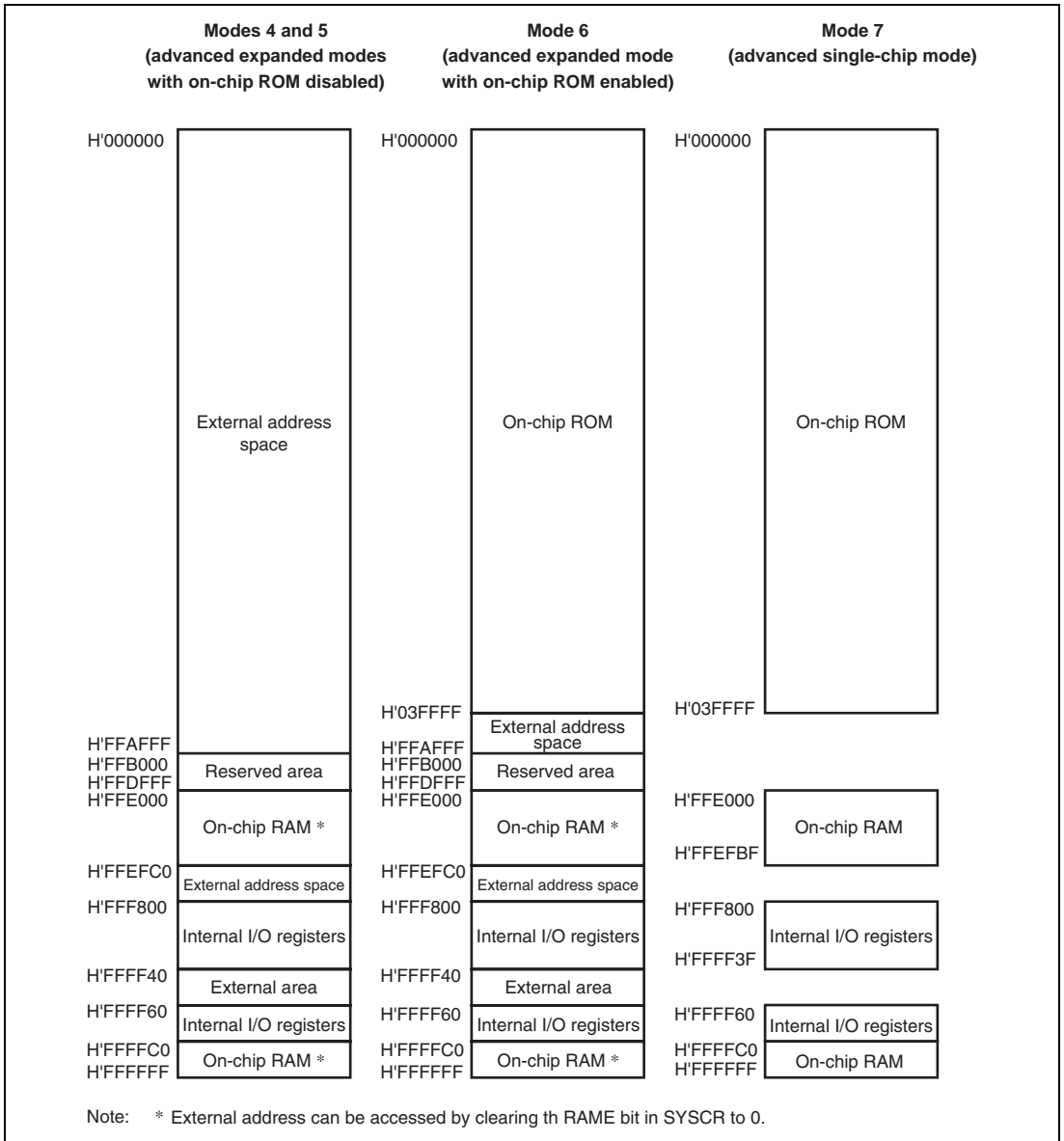
Port		Mode 4	Mode 5	Mode 6	Mode 7
Port A		A	A	P*/A	P
Port B		A	A	P*/A	P
Port C		A	A	P*/A	P
Port D		D	D	D	P
Port E		P/D*	P*/D	P*/D	P
Port F	PF7	P/C*	P/C*	P/C*	P*/C
	PF6 to PF4	C	C	C	P
	PF3	P/C*	P*/C	P*/C	
	PF2, PF0	P*/C	P*/C	P*/C	
Port K		P	P	P	P

[Legend]

- P: I/O port
- A: Address bus output
- D: Data bus I/O
- C: Control signals, clock I/O
- \*: After reset

### 3.5 Address Map

Figure 3.1 shows the address map in each operating mode.



**Figure 3.1 Address Map**



## Section 4 Exception Handling

### 4.1 Exception Handling Types and Priority

As shown in table 4.1, exception handling may be caused by a reset, trace, interrupt, or trap instruction. Exception handling is prioritized as shown in table 4.1. If two or more exceptions occur simultaneously, they are accepted and processed in order of priority. Exception sources, the stack structure, and operation of the CPU vary depending on the interrupt control mode. For details on the interrupt control mode, refer to section 5, Interrupt Controller.

**Table 4.1 Exception Types and Priority**

Priority	Exception Type	Start of Exception Handling
High ↑	Reset	Starts immediately after a low-to-high transition at the $\overline{\text{RES}}$ pin, or when the watchdog timer overflows. The CPU enters the reset state when the $\overline{\text{RES}}$ pin is low.
	Trace* <sup>1</sup>	Starts when execution of the current instruction or exception handling ends, if the trace (T) bit in EXR is set to 1.
	Direct transition	Starts when a direction transition occurs as the result of SLEEP instruction execution.
	Interrupt	Starts when execution of the current instruction or exception handling ends, if an interrupt request has been issued.* <sup>2</sup>
Low	Trap instruction * <sup>3</sup>	Started by execution of a trap instruction (TRAPA).

- Notes:
1. Traces are enabled only in interrupt control mode 2. Trace exception handling is not executed after execution of an RTE instruction.
  2. Interrupt detection is not performed on completion of ANDC, ORC, XORC, or LDC instruction execution, or on completion of reset exception handling.
  3. Trap instruction exception handling requests are accepted at all times in program execution state.

## 4.2 Exception Sources and Exception Vector Table

Different vector addresses are assigned to different exception sources. Table 4.2 lists the exception sources and their vector addresses. Since the usable modes differ depending on the product, for details on each product, refer to section 3, MCU Operating Modes.

**Table 4.2 Exception Handling Vector Table**

Exception Source	Vector Number	Vector Address* <sup>1</sup>		
		Normal Mode* <sup>2</sup>	Advanced Mode	
Power-on reset	0	H'0000 to H'0001	H'0000 to H'0003	
Reserved for system use	1	H'0002 to H'0003	H'0004 to H'0007	
	2	H'0004 to H'0005	H'0008 to H'000B	
	3	H'0006 to H'0007	H'000C to H'000F	
	4	H'0008 to H'0019	H'0010 to H'0013	
Trace	5	H'000A to H'000B	H'0014 to H'0017	
Interrupt (direct transitions)* <sup>4</sup>	6	H'000C to H'000D	H'0018 to H'001B	
Interrupt (NMI)	7	H'000E to H'000F	H'001C to H'001F	
Trap instruction (#0)	8	H'0010 to H'0011	H'0020 to H'0023	
	(#1)	9	H'0012 to H'0013	H'0024 to H'0027
	(#2)	10	H'0014 to H'0015	H'0028 to H'002B
	(#3)	11	H'0016 to H'0017	H'002C to H'002F
Reserved for system use	12	H'0018 to H'0019	H'0030 to H'0033	
	13	H'001A to H'001B	H'0034 to H'0037	
	14	H'001C to H'001D	H'0038 to H'003B	
	15	H'001E to H'001F	H'003C to H'003F	
External interrupt	IRQ0	16	H'0020 to H'0021	H'0040 to H'0043
	IRQ1	17	H'0022 to H'0023	H'0044 to H'0047
	IRQ2	18	H'0024 to H'0025	H'0048 to H'004B
	IRQ3	19	H'0026 to H'0027	H'004C to H'004F
	IRQ4	20	H'0028 to H'0029	H'0050 to H'0053
	IRQ5	21	H'002A to H'002B	H'0054 to H'0057
Reserved for system use	22	H'002C to H'002D	H'0058 to H'005B	
	23	H'002E to H'002F	H'005C to H'005F	

Exception Source	Vector Number	Vector Address* <sup>1</sup>	
		Normal Mode* <sup>2</sup>	Advanced Mode
Internal interrupt* <sup>3</sup>	24	H'0030 to H'0031	H'0060 to H'0063
	127	H'00FE to H'00FF	H'01FC to H'01FF

- Notes:
1. Lower 16 bits of the address.
  2. Not available in this LSI.
  3. For details of internal interrupt vectors, see section 5.5, Interrupt Exception Handling Vector Table.
  4. For direct transitions, see section 21.10, Direct Transitions

## 4.3 Reset

A reset has the highest exception priority.

When the  $\overline{\text{RES}}$  pin goes low, all processing halts and this LSI enters the reset state. To ensure that this LSI is reset, hold the  $\overline{\text{RES}}$  pin low for at least 20 ms at power-up. To reset the chip during operation, hold the  $\overline{\text{RES}}$  pin low for at least 20 states. A reset initializes the internal state of the CPU and the registers of on-chip peripheral modules.

The chip can also be reset by overflow of the watchdog timer. For details, see section 12, Watchdog Timer (WDT).

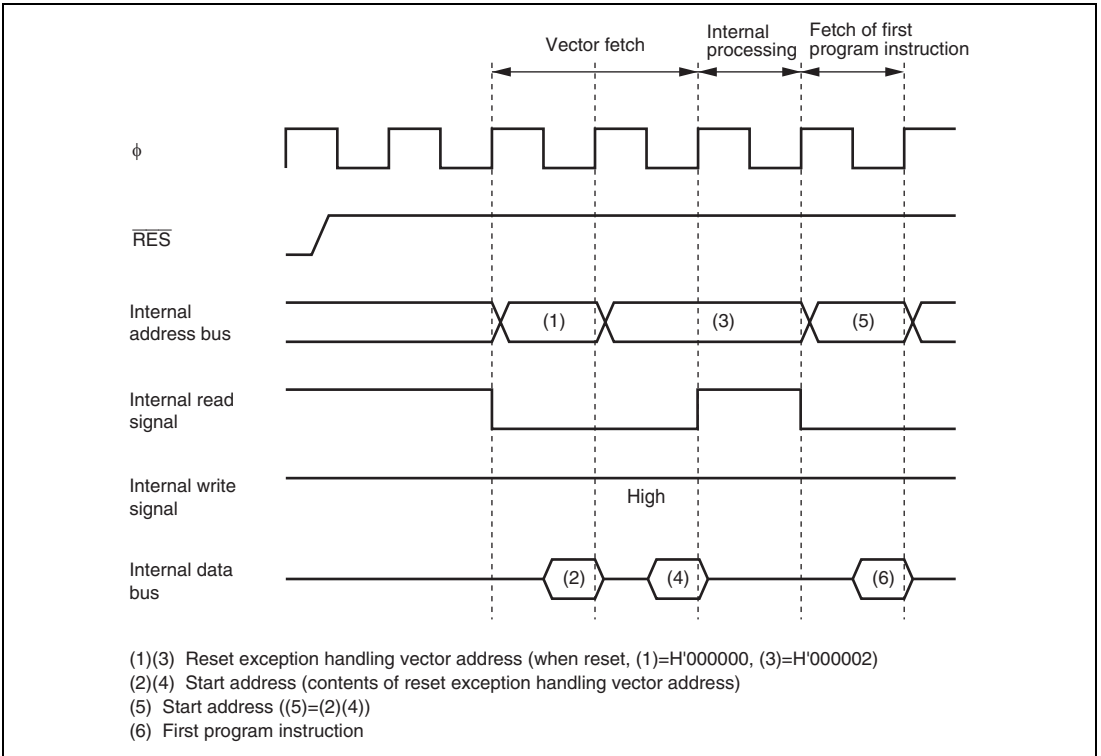
The interrupt control mode is 0 immediately after reset.

### 4.3.1 Reset Exception Handling

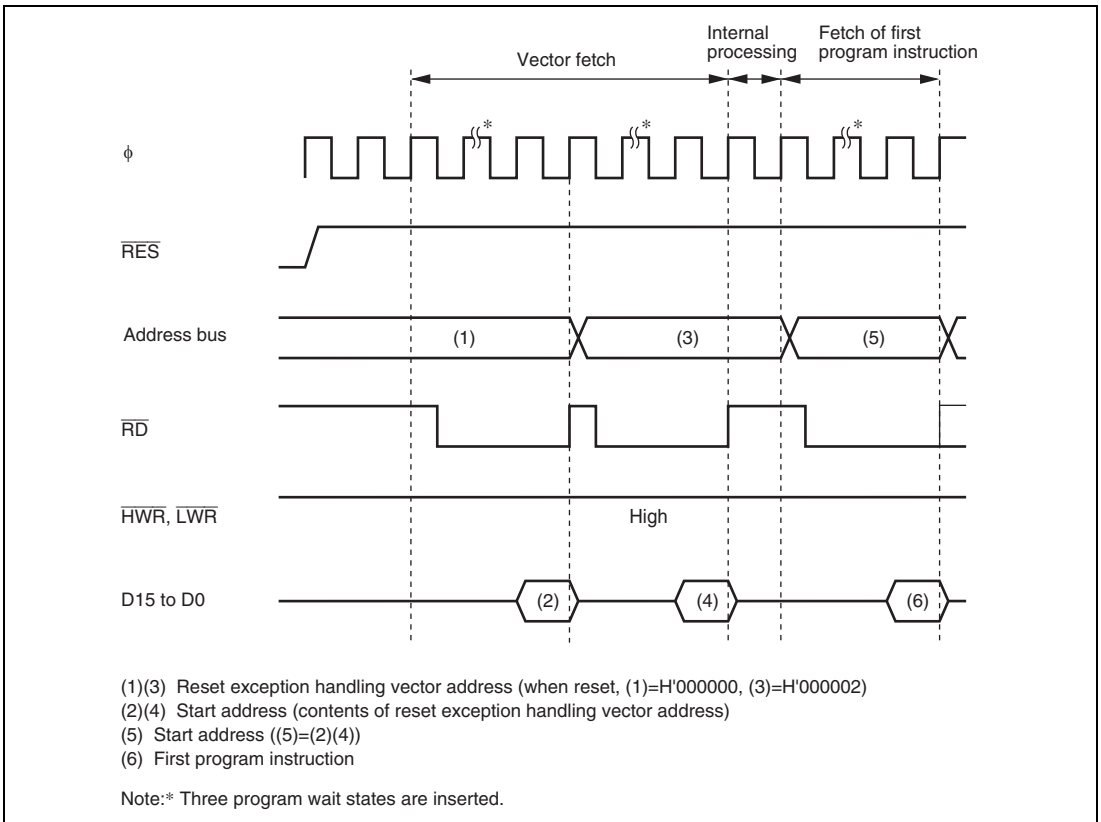
When the  $\overline{\text{RES}}$  pin goes high after being held low for the necessary period, this LSI starts reset exception handling as follows:

1. The internal state of the CPU and the registers of the on-chip peripheral modules are initialized, the T bit in EXR is cleared to 0, and the I bit in EXR and CCR is set to 1.
2. The reset exception handling vector address is read and transferred to the PC, and program execution starts from the address indicated by the PC.

Figures 4.1 and 4.2 show examples of the reset sequence.



**Figure 4.1 Reset Sequence (Advanced Mode with On-chip ROM Enabled)**



**Figure 4.2 Reset Sequence (Advanced Mode with On-chip ROM Disabled)**

### 4.3.2 Interrupts after Reset

If an interrupt is accepted immediately after a reset and before the stack pointer (SP) is initialized, the PC and CCR will not be saved correctly, leading to a program crash. To prevent this, all interrupt requests, including NMI, are disabled immediately after a reset exception handling is executed. Since the first instruction of a program is always executed immediately after the reset, make sure that this instruction initializes the stack pointer (example: MOV.L #xx: 32, SP).

### 4.3.3 State of On-Chip Peripheral Modules after Reset Release

After reset release, MSTPCRA to MSTPCRA are initialized to H'3F, H'FF, and H'FF, and B'11xxxxxx respectively, and all modules except the DTC enter module stop mode. Consequently, on-chip peripheral module registers cannot be read or written to. Register reading and writing is enabled when the module stop mode is cancelled.

Note: The initial values of bits 5 to 0 in MSTPCRD are undefined.

## 4.4 Traces

Traces are enabled in interrupt control mode 2. Trace mode is not activated in interrupt control mode 0, irrespective of the state of the T bit. For details of interrupt control modes, see section 5, Interrupt Controller.

If the T bit in EXR is set to 1, trace mode is activated. In trace mode, a trace exception occurs on completion of each instruction. Trace mode is not affected by interrupt mask bit in CCR. Table 4.3 shows the states of CCR and EXR after execution of trace exception handling. Trace mode is cancelled by clearing the T bit in EXR to 0 with the trace exception handling. The T bit saved on the stack retains its value of 1, and when control is returned from the trace exception handling routine by the RTE instruction, trace mode resumes. Trace exception handling is not carried out after execution of the RTE instruction.

Interrupts are accepted even within the trace exception handling routine.

**Table 4.3** Statuses of CCR and EXR after Trace Exception Handling

Interrupt Control Mode	CCR		EXR	
	I	UI	I2 to I0	T
0	Trace exception handling cannot be used.			
2	1	—	—	0

[Legend]

- 1: Set to 1
- 0: Cleared to 0
- : Retains value prior to execution

## 4.5 Interrupts

Interrupts are controlled by the interrupt controller. The interrupt controller has two interrupt control modes and can assign interrupts other than NMI to eight priority/mask levels to enable multiplexed interrupt control. The source to start interrupt exception handling and the vector address differ depending on the product. For details, refer to section 5, Interrupt Controller.

Interrupt exception handling is conducted as follows:

1. The values in the program counter (PC), condition code register (CCR), and extended control register (EXR) are saved to the stack.
2. The interrupt mask bit is updated and the T bit is cleared to 0.
3. A vector address corresponding to the interrupt source is generated, the start address is loaded from the vector table to the PC, and program execution begins from that address.

## 4.6 Trap Instruction

Trap instruction exception handling starts when a TRAPA instruction is executed. Trap instruction exception handling can be executed at all times in the program execution state.

Trap instruction exception handling is conducted as follows:

1. The values in the program counter (PC), condition code register (CCR), and extended control register (EXR) are saved to the stack.
2. The interrupt mask bit is updated and the T bit is cleared to 0.
3. A vector address corresponding to the interrupt source is generated, the start address is loaded from the vector table to the PC, and program execution starts from that address.

The TRAPA instruction fetches a start address from a vector table entry corresponding to a vector number from 0 to 3, as specified in the instruction code.

Table 4.4 shows the statuses of CCR and EXR after execution of trap instruction exception handling.

**Table 4.4 Statures of CCR and EXR after Trap Instruction Exception Handling**

Interrupt Control Mode	CCR		EXR	
	I	UI	I2 to I0	T
0	1	—	—	—
2	1	—	—	0

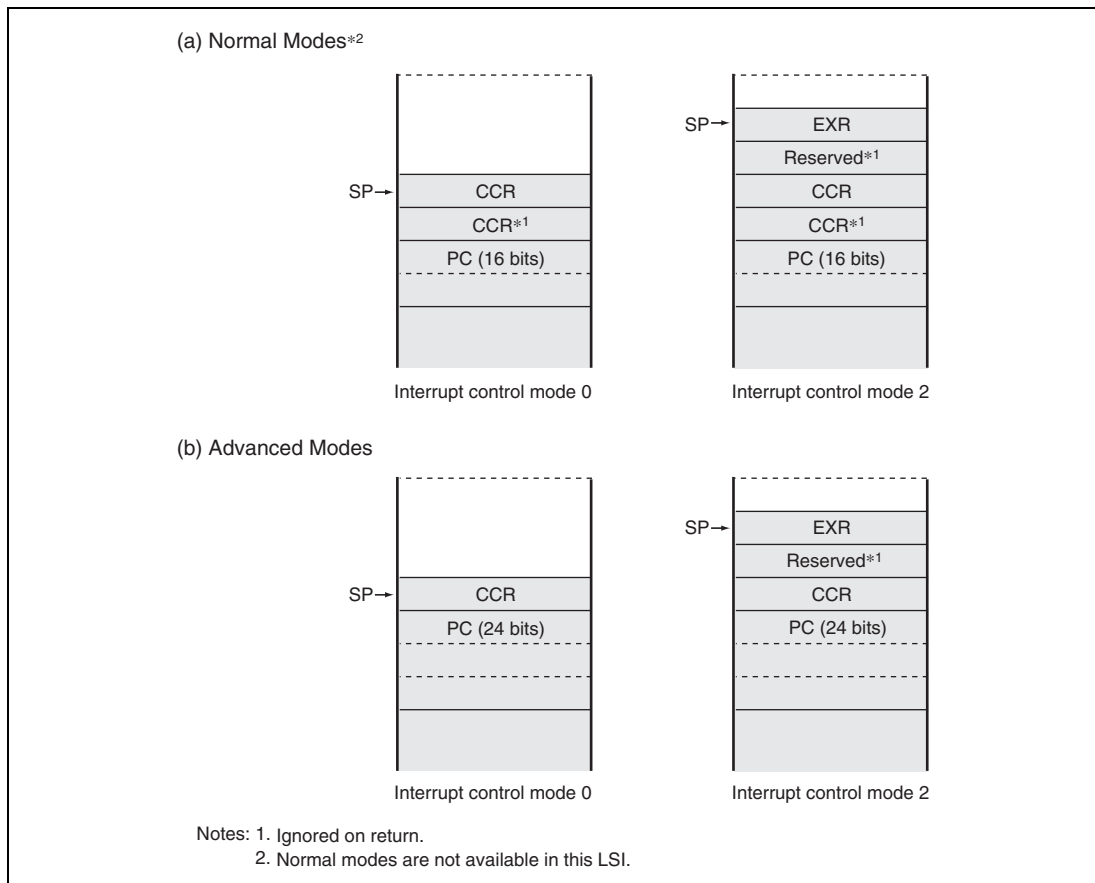
[Legend]

- 1: Set to 1
- 0: Cleared to 0
- : Retains value prior to execution



## 4.7 Stack Status after Exception Handling

Figure 4.3 shows the stack after completion of trap instruction exception handling and interrupt exception handling.



**Figure 4.3 Stack Status after Exception Handling**

## 4.8 Usage Note

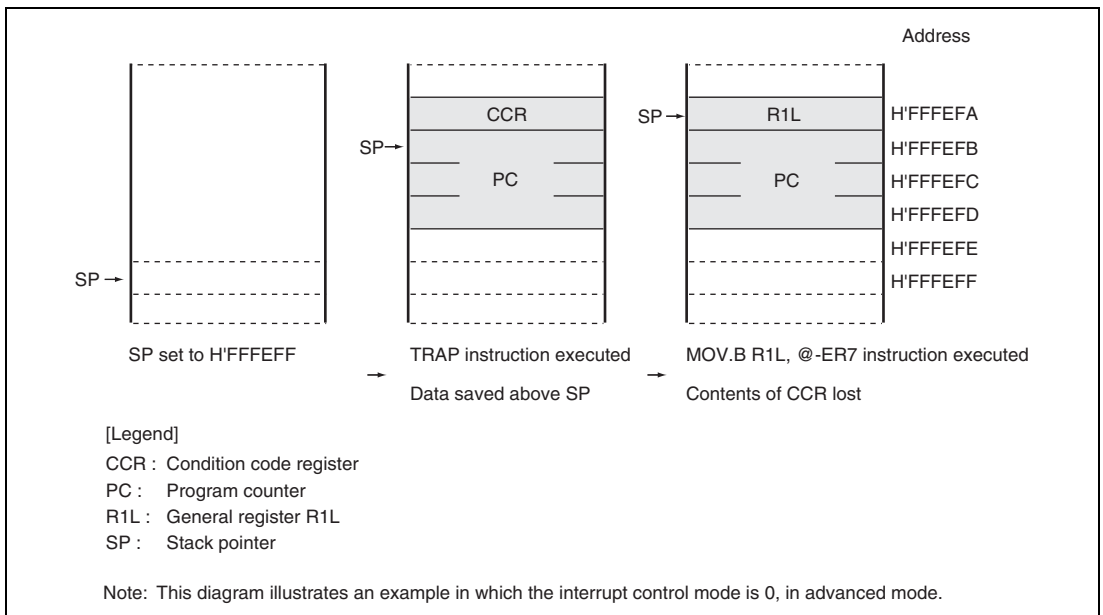
When accessing word data or longword data, this LSI assumes that the lowest address bit is 0. The stack should always be accessed by word transfer instruction or longword transfer instruction, and the value of the stack pointer (SP: ER7) should always be kept even. Use the following instructions to save registers:

```
PUSH.W   Rn    (or MOV.W Rn, @-SP)
PUSH.L   ERn   (or MOV.L ERn, @-SP)
```

Use the following instructions to restore registers:

```
POP.W    Rn    (or MOV.W @SP+, Rn)
POP.L    ERn   (or MOV.L @SP+, ERn)
```

Setting SP to an odd value may lead to a malfunction. Figure 4.4 shows an example of what happens when the SP value is odd.



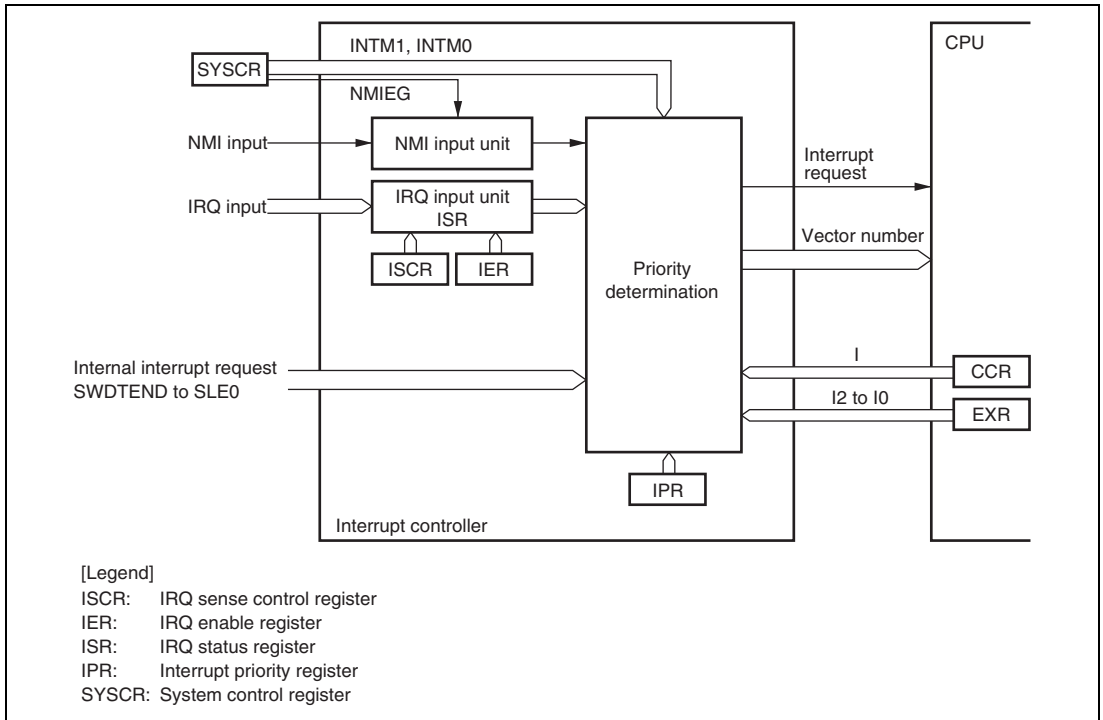
**Figure 4.4 Operation when SP Value Is Odd**

## Section 5 Interrupt Controller

### 5.1 Features

- Two interrupt control modes
  - Any of two interrupt control modes can be set by means of the INTM1 and INTM0 bits in the system control register (SYSCR).
- Priorities settable with IPR
  - An interrupt priority register (IPR) is provided for setting interrupt priorities. Eight priority levels can be set for each module for all interrupts except NMI. NMI is assigned the highest priority level of 8, and can be accepted at all times.
- Independent vector addresses
  - All interrupt sources are assigned independent vector addresses, making it unnecessary for the source to be identified in the interrupt handling routine.
- Seven external interrupts
  - NMI is the highest-priority interrupt, and is accepted at all times. Rising edge or falling edge can be selected for NMI. Falling edge, rising edge, or both edge detection, or level sensing, can be selected for  $\overline{\text{IRQ5}}$  to  $\overline{\text{IRQ0}}$ .
- DTC control
  - The DTC can be activated by an interrupt request.

A block diagram of the interrupt controller is shown in figure 5.1.



**Figure 5.1 Block Diagram of Interrupt Controller**

## 5.2 Input/Output Pins

Table 5.1 summarizes the pins of the interrupt controller.

**Table 5.1 Pin Configuration**

<b>Name</b>	<b>I/O</b>	<b>Function</b>
NMI	Input	Nonmaskable external interrupt Rising or falling edge can be selected
$\overline{\text{IRQ5}}$	Input	Maskable external interrupts
$\overline{\text{IRQ4}}$	Input	Rising, falling, or both edges, or level sensing, can be selected
$\overline{\text{IRQ3}}$	Input	
$\overline{\text{IRQ2}}$	Input	
$\overline{\text{IRQ1}}$	Input	
$\overline{\text{IRQ0}}$	Input	

### 5.3 Register Descriptions

The interrupt controller has the following registers. For the system control register (SYSCR), refer to section 3.2.2, System Control Register (SYSCR).

- System control register (SYSCR)
- IRQ sense control register H (ISCRH)
- IRQ sense control register L (ISCR L)
- IRQ enable register (IER)
- IRQ status register (ISR)
- Interrupt priority register A (IPRA)
- Interrupt priority register B (IPRB)
- Interrupt priority register C (IPRC)
- Interrupt priority register D (IPRD)
- Interrupt priority register E (IPRE)
- Interrupt priority register F (IPRF)
- Interrupt priority register G (IPRG)
- Interrupt priority register H (IPRH)
- Interrupt priority register J (IPRJ)
- Interrupt priority register K (IPRK)
- Interrupt priority register M (IPRM)
- Interrupt priority register O (IPRO)

### 5.3.1 Interrupt Priority Registers A to H, J, K, M, and O (IPRA to IPRH, IPRJ, IPRK, IPRM, and IPRO)

The IPR registers set priorities (levels 7 to 0) for interrupts other than NMI.

The correspondence between interrupt sources and IPR settings is shown in table 5.2. Setting a value in the range from H'0 to H'7 in the 3-bit groups of bits 0 to 2 and 4 to 6 sets the priority of the corresponding interrupt.

Bit	Bit Name	Initial Value	R/W	Description
7	—	0	—	Reserved These bits are always read as 0.
6	IPR6	1	R/W	Sets the priority of the corresponding interrupt source.
5	IPR5	1	R/W	000: Priority level 0 (Lowest)
4	IPR4	1	R/W	001: Priority level 1 010: Priority level 2 011: Priority level 3 100: Priority level 4 101: Priority level 5 110: Priority level 6 111: Priority level 7 (Highest)
3	—	0	—	Reserved These bits are always read as 0.
2	IPR2	1	R/W	Sets the priority of the corresponding interrupt source.
1	IPR1	1	R/W	000: Priority level 0 (Lowest)
0	IPR0	1	R/W	001: Priority level 1 010: Priority level 2 011: Priority level 3 100: Priority level 4 101: Priority level 5 110: Priority level 6 111: Priority level 7 (Highest)

### 5.3.2 IRQ Enable Register (IER)

IER is an 8-bit readable/writable register that controls the enabling and disabling of interrupt requests IRQ0 to IRQ5.

Bit	Bit Name	Initial Value	R/W	Description
7, 6	—	All 0	R/W	Reserved The write value should always be 0.
5	IRQ5E	0	R/W	IRQ5 Enable The IRQ5 interrupt request is enabled when this bit is 1.
4	IRQ4E	0	R/W	IRQ4 Enable The IRQ4 interrupt request is enabled when this bit is 1.
3	IRQ3E	0	R/W	IRQ3 Enable The IRQ3 interrupt request is enabled when this bit is 1.
2	IRQ2E	0	R/W	IRQ2 Enable The IRQ2 interrupt request is enabled when this bit is 1.
1	IRQ1E	0	R/W	IRQ1 Enable The IRQ1 interrupt request is enabled when this bit is 1.
0	IRQ0E	0	R/W	IRQ0 Enable The IRQ0 interrupt request is enabled when this bit is 1.



### 5.3.3 IRQ Sense Control Registers H and L (ISCRH, ISCR L)

The ISCR registers select the source that generates an interrupt request at pins  $\overline{\text{IRQ0}}$  to  $\overline{\text{IRQ5}}$ .

- ISCRH

Bit	Bit Name	Initial Value	R/W	Description
15 to 12	—	All 0	R/W	Reserved The write value should always be 0.
11	IRQ5SCB	0	R/W	IRQ5 Sense Control B
10	IRQ5SCA	0	R/W	IRQ5 Sense Control A 00: Interrupt request generated at $\overline{\text{IRQ5}}$ input level low 01: Interrupt request generated at falling edge of $\overline{\text{IRQ5}}$ input 10: Interrupt request generated at rising edge of $\overline{\text{IRQ5}}$ input 11: Interrupt request generated at both falling and rising edges of $\overline{\text{IRQ5}}$ input
9	IRQ4SCB	0	R/W	IRQ4 Sense Control B
8	IRQ4SCA	0	R/W	IRQ4 Sense Control A 00: Interrupt request generated at $\overline{\text{IRQ4}}$ input level low 01: Interrupt request generated at falling edge of $\overline{\text{IRQ4}}$ input 10: Interrupt request generated at rising edge of $\overline{\text{IRQ4}}$ input 11: Interrupt request generated at both falling and rising edges of $\overline{\text{IRQ4}}$ input

- ISCRL

Bit	Bit Name	Initial Value	R/W	Description
7	IRQ3SCB	0	R/W	IRQ3 Sense Control B
6	IRQ3SCA	0	R/W	IRQ3 Sense Control A 00: Interrupt request generated at $\overline{\text{IRQ3}}$ input level low 01: Interrupt request generated at falling edge of $\overline{\text{IRQ3}}$ input 10: Interrupt request generated at rising edge of $\overline{\text{IRQ3}}$ input 11: Interrupt request generated at both falling and rising edges of $\overline{\text{IRQ3}}$ input
5	IRQ2SCB	0	R/W	IRQ2 Sense Control B
4	IRQ2SCA	0	R/W	IRQ2 Sense Control A 00: Interrupt request generated at $\overline{\text{IRQ2}}$ input level low 01: Interrupt request generated at falling edge of $\overline{\text{IRQ2}}$ input 10: Interrupt request generated at rising edge of $\overline{\text{IRQ2}}$ input 11: Interrupt request generated at both falling and rising edges of $\overline{\text{IRQ2}}$ input
3	IRQ1SCB	0	R/W	IRQ1 Sense Control B
2	IRQ1SCA	0	R/W	IRQ1 Sense Control A 00: Interrupt request generated at $\overline{\text{IRQ1}}$ input level low 01: Interrupt request generated at falling edge of $\overline{\text{IRQ1}}$ input 10: Interrupt request generated at rising edge of $\overline{\text{IRQ1}}$ input 11: Interrupt request generated at both falling and rising edges of $\overline{\text{IRQ1}}$ input
1	IRQ0SCB	0	R/W	IRQ0 Sense Control B
0	IRQ0SCA	0	R/W	IRQ0 Sense Control A 00: Interrupt request generated at $\overline{\text{IRQ0}}$ input level low 01: Interrupt request generated at falling edge of $\overline{\text{IRQ0}}$ input 10: Interrupt request generated at rising edge of $\overline{\text{IRQ0}}$ input 11: Interrupt request generated at both falling and rising edges of $\overline{\text{IRQ0}}$ input

### 5.3.4 IRQ Status Register (ISR)

ISR indicates the status of IRQ0 to IRQ5 interrupt requests.

Bit	Bit Name	Initial Value	R/W	Description
7, 6	—	All 0	R/W*	Reserved These bits are always read as 0.
5	IRQ5F	0	R/W*	[Setting conditions]
4	IRQ4F	0	R/W*	When the interrupt source selected by the ISCR registers occurs
3	IRQ3F	0	R/W*	[Clearing conditions]
2	IRQ2F	0	R/W*	
1	IRQ1F	0	R/W*	<ul style="list-style-type: none"> <li>• Cleared by reading IRQnF flag when IRQnF = 1, then writing 0 to IRQnF flag</li> </ul>
0	IRQ0F	0	R/W*	<ul style="list-style-type: none"> <li>• When interrupt exception handling is executed when low-level detection is set and <math>\overline{\text{IRQn}}</math> input is high</li> <li>• When IRQn interrupt exception handling is executed when falling, rising, or both-edge detection is set</li> <li>• When the DTC is activated by an IRQn interrupt, and the DISEL bit in MRB of the DTC is cleared to 0</li> </ul>

Note: \* Only 0 can be written to clear the flag.

## 5.4 Interrupt Sources

### 5.4.1 External Interrupts

There are seven external interrupts: NMI and IRQ0 to IRQ5. These interrupts can be used to restore this LSI from software standby mode.

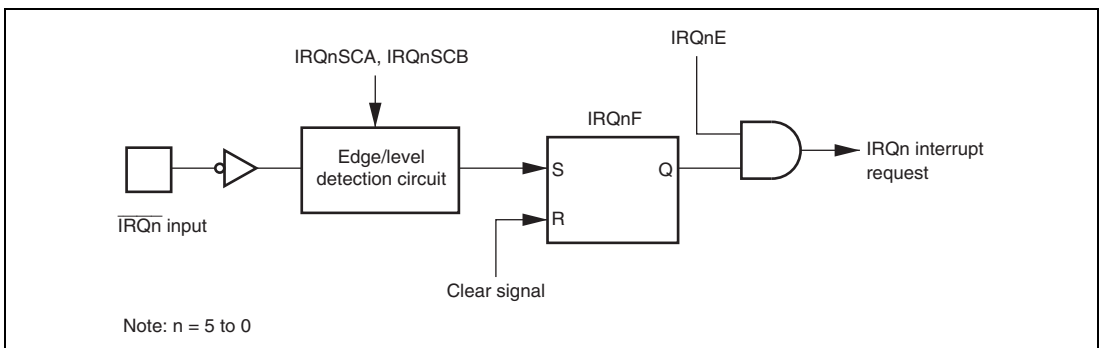
**NMI Interrupt:** NMI is the highest-priority interrupt, and is always accepted by the CPU regardless of the interrupt control mode or the status of the CPU interrupt mask bits. The NMIEG bit in SYSCR can be used to select whether an interrupt is requested at a rising edge or a falling edge on the NMI pin.

**IRQ0 to IRQ5 Interrupts:** Interrupts IRQ0 to IRQ5 are requested by an input signal at pins  $\overline{\text{IRQ0}}$  to  $\overline{\text{IRQ5}}$ . Interrupts IRQ0 to IRQ5 have the following features:

- Using ISCR, it is possible to select whether an interrupt is generated by a low level, falling edge, rising edge, or both edges, at pins  $\overline{\text{IRQ0}}$  to  $\overline{\text{IRQ5}}$ .
- Enabling or disabling of interrupt requests IRQ0 to IRQ5 can be selected with IER.
- The interrupt priority level can be set with IPR.
- The status of interrupt requests IRQ0 to IRQ5 is indicated in ISR. ISR flags can be cleared to 0 by software.

The detection of IRQ0 to IRQ5 interrupts does not depend on whether the relevant pin has been set for input or output. However, when a pin is used as an external interrupt input pin, do not clear the corresponding DDR to 0; and use the pin as an I/O pin for another function.

A block diagram of interrupts IRQ0 to IRQ5 is shown in figure 5.2.



**Figure 5.2 Block Diagram of Interrupts IRQ0 to IRQ5**

## 5.4.2 Internal Interrupts

The sources for internal interrupts from on-chip peripheral modules have the following features:

- For each on-chip peripheral module there are flags that indicate the interrupt request status, and enable bits that select enabling or disabling of these interrupts. If both of these are set to 1 for a particular interrupt source, an interrupt request is issued to the interrupt controller.
- The interrupt priority level can be set by means of IPR.
- The DTC can be activated by a TPU, SCI, or other interrupt request.
- When the DTC is activated by an interrupt request, it is not affected by the interrupt control mode or CPU interrupt mask bit.

## 5.5 Interrupt Exception Handling Vector Table


Table 5.2 shows interrupt exception handling sources, vector addresses, and interrupt priorities.

For default priorities, the lower the vector number, the higher the priority. Priorities among modules can be set by means of IPR. Modules set at the same priority will conform to their default priorities. Priorities within a module are fixed.

**Table 5.2 Interrupt Sources, Vector Addresses, and Interrupt Priorities**

Interrupt Source	Origin of Interrupt Source	Vector Number	Vector Address*		Priority
			Advanced Mode	IPR	
External pin	NMI	7	H'001C	—	High ↑
	IRQ0	16	H'0040	IPRA6 to IPRA4	
	IRQ1	17	H'0044	IPRA2 to IPRA0	
	IRQ2	18	H'0048	IPRB6 to IPRB4	
	IRQ3	19	H'004C		
	IRQ4	20	H'0050	IPRB2 to IPRB0	
	IRQ5	21	H'0054		
—	Reserved for system use	22	H'0058	—	↓ Low
	Reserved for system use	23	H'005C	—	
DTC	SWDTEND	24	H'0060	IPRC2 to IPRC0	
WDT_0	WOVI0	25	H'0064	IPRD6 to IPRD4	
PC break control	PC break	27	H'006C	IPRE6 to IPRE4	
A/D	ADI	28	H'0070	IPRE2 to IPRE0	
WDT_1	WOVI1	29	H'0074		
TPU_0	TGIA_0	32	H'0080	IPRF6 to IPRF4	
	TGIB_0	33	H'0084		
	TGIC_0	34	H'0088		
	TGID_0	35	H'008C		
	TCIV_0	36	H'0090		
TPU_1	TGIA_1	40	H'00A0	IPRF2 to IPRF0	
	TGIB_1	41	H'00A4		
	TCIV_1	42	H'00A8		
	TCIU_1	43	H'00AC		
TPU_2	TGIA_2	44	H'00B0	IPRG6 to IPRG4	
	TGIB_2	45	H'00B4		
	TCIV_2	46	H'00B8		
	TCIU_2	47	H'00BC		

Interrupt Source	Origin of Interrupt Source	Vector Number	Vector Address*	IPR	Priority
			Advanced Mode		
TPU_3	TGIA_3	48	H'00C0	IPRG2 to IPRG0	High
	TGIB_3	49	H'00C4		
	TGIC_3	50	H'00C8		
	TGID_3	51	H'00CC		
	TCIV_3	52	H'00D0		
TPU_4	TGIA_4	56	H'00E0	IPRH6 to IPRH4	
	TGIB_4	57	H'00E4		
	TCIV_4	58	H'00E8		
	TCIU_4	59	H'00EC		
TPU_5	TGIA_5	60	H'00F0	IPRH2 to IPRH0	
	TGIB_5	61	H'00F4		
	TCIV_5	62	H'00F8		
	TCIU_5	63	H'00FC		
SCI_0	ERI_0	80	H'0140	IPRJ2 to IPRJ0	
	RXI_0	81	H'0144		
	TXI_0	82	H'0148		
	TEI_0	83	H'014C		
SCI_1	ERI_1	84	H'0150	IPRK6 to IPRK4	
	RXI_1	85	H'0154		
	TXI_1	86	H'0158		
	TEI_1	87	H'015C		
SCI_2	ERI_2	88	H'0160	IPRK2 to IPRK0	
	RXI_2	89	H'0164		
	TXI_2	90	H'0168		
	TEI_2	91	H'016C		
Motor control PWM timer	CMI_1	104	H'01A0	IPRM6 to IPRM4	
	CMI_2	105	H'01A4		
					Low

Interrupt Source	Origin of Interrupt Source	Vector Number	Vector Address*	IPR	Priority
			Advanced Mode		
HCAN_1	ERS0, OVR0, RM1, SLE0 RM0	106	H'01A8	IPRM6 to IPRM4	
		107	H'01AC		
HCAN_0	ERS0, OVR0, RM1, SLE0 RM0	108	H'01B0	IPRM2 to IPRM0	
		109	H'01B4		
SCI_4	ERI_4 RXI_4 TXI_4 TEI_4	124	H'01F0	IPRO2 to IPRO0	
		125	H'01F4		
		126	H'01F8		
		127	H'01FC		

Note: \* Lower 16 bits of the start address.



## 5.6 Interrupt Control Modes and Interrupt Operation

The interrupt controller has two modes: interrupt control mode 0 and interrupt control mode 2. Interrupt operations differ depending on the interrupt control mode. The interrupt control mode is selected by SYSCR. Table 5.3 shows the differences between interrupt control mode 0 and interrupt control mode 2.

**Table 5.3 Interrupt Control Modes**

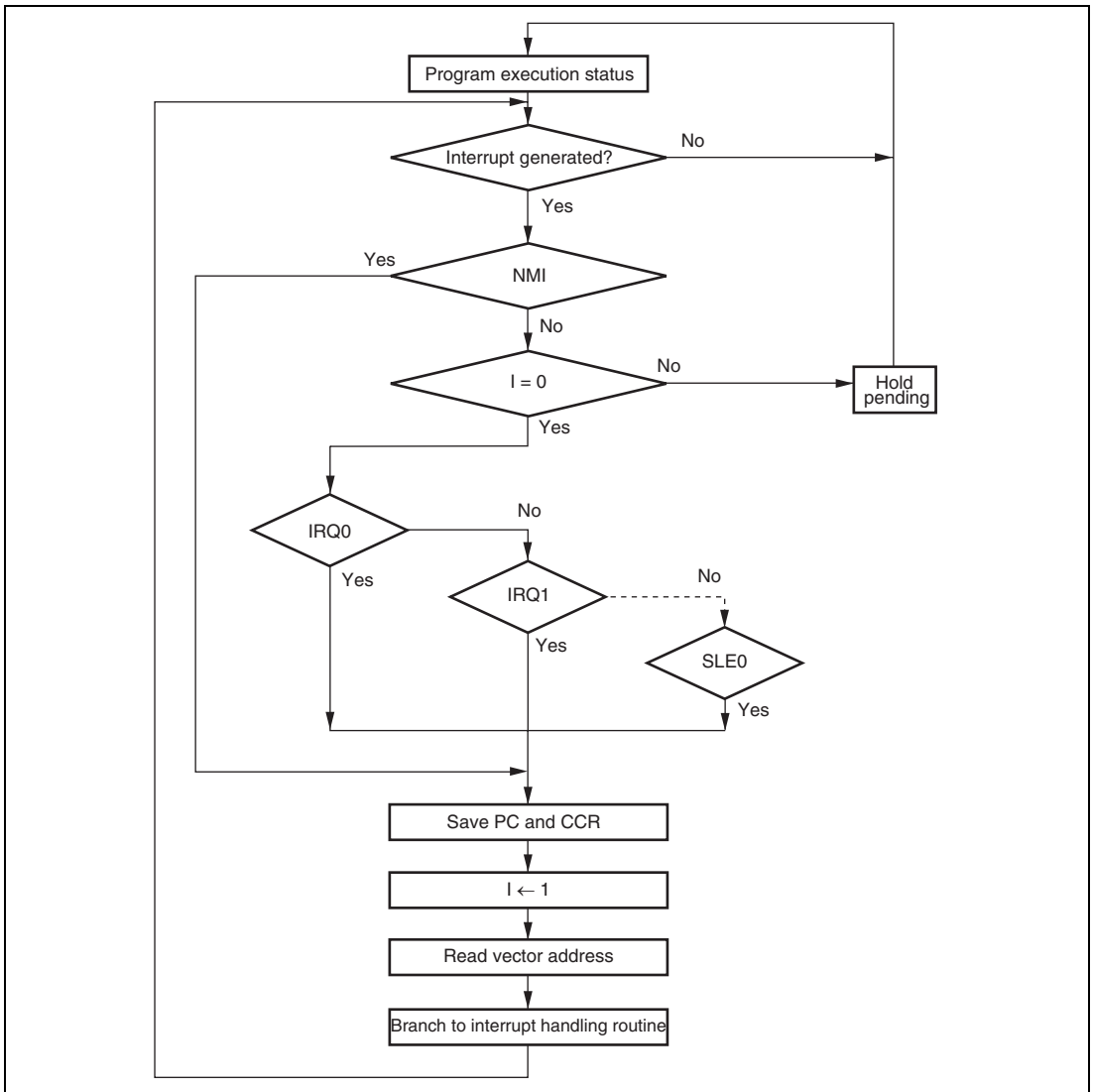
Interrupt Control Mode	Priority Setting Registers	Interrupt Mask Bits	Description
0	Default	I	The priorities of interrupt sources are fixed at the default settings. Interrupt sources, except for NMI, are masked by the I bit.
2	IPR	I2 to I0	8 priority levels other than NMI can be set with IPR. 8-level interrupt mask control is performed by bits I2 to I0.

### 5.6.1 Interrupt Control Mode 0

In interrupt control mode 0, interrupt requests other than for NMI are masked by the I bit in CCR in the CPU. Figure 5.3 shows a flowchart of the interrupt acceptance operation in this case.

1. If an interrupt source occurs when the corresponding interrupt enable bit is set to 1, an interrupt request is sent to the interrupt controller.
2. If the I bit in CCR is set to 1, only an NMI interrupt is accepted, and other interrupt requests are held pending. If the I bit is cleared, an interrupt request is accepted.
3. When interrupt requests are sent to the interrupt controller, the interrupt with the highest priority according to the interrupt priority levels is selected and other interrupt requests are held pending.
4. When the CPU accepts an interrupt request, it starts interrupt exception handling after execution of the current instruction has been completed.
5. The PC and CCR are saved to the stack area by interrupt exception handling. The PC saved on the stack shows the address of the first instruction to be executed after returning from the interrupt handling routine.
6. Next, the I bit in CCR is set to 1. This masks all interrupts except NMI.

7. The CPU generates a vector address for the accepted interrupt and starts execution of the interrupt handling routine at the address indicated by the contents of the vector address in the vector table.

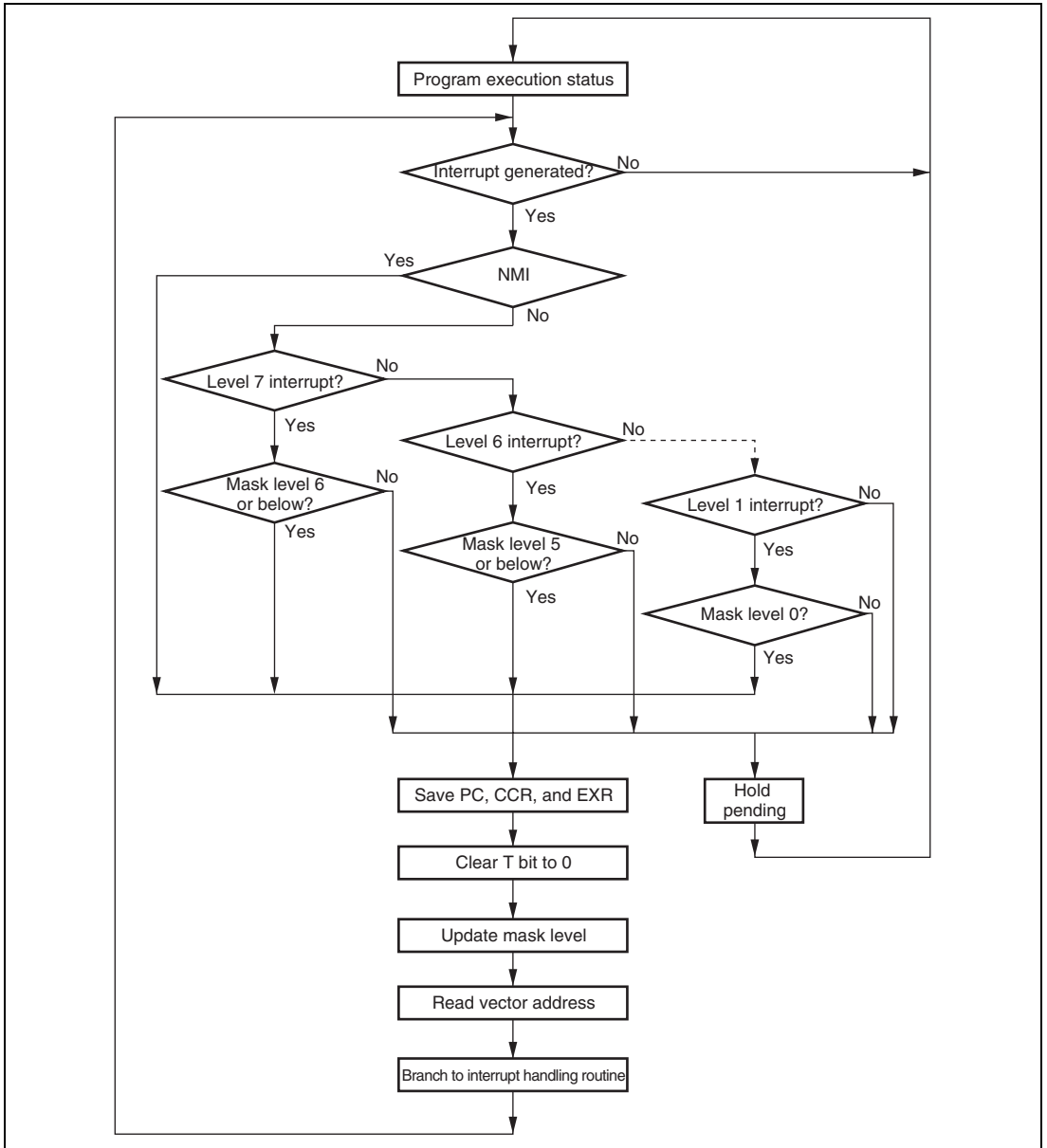


**Figure 5.3 Flowchart of Procedure up to Interrupt Acceptance in Interrupt Control Mode 0**

## 5.6.2 Interrupt Control Mode 2

In interrupt control mode 2, mask control is applied to eight levels for interrupt requests other than NMI by comparing the EXR interrupt mask level (I2 to I0 bits) in the CPU and the IPR setting. Figure 5.4 shows a flowchart of the interrupt acceptance operation in this case.

1. If an interrupt source occurs when the corresponding interrupt enable bit is set to 1, an interrupt request is sent to the interrupt controller.
2. When interrupt requests are sent to the interrupt controller, the interrupt with the highest priority according to the interrupt priority levels set in IPR is selected, and lower-priority interrupt requests are held pending. If a number of interrupt requests with the same priority are generated at the same time, the interrupt request with the highest priority according to the priority system shown in table 5.2 is selected.
3. Next, the priority of the selected interrupt request is compared with the interrupt mask level set in EXR. An interrupt request with a priority no higher than the mask level set at that time is held pending, and only an interrupt request with a priority higher than the interrupt mask level is accepted.
4. When the CPU accepts an interrupt request, it starts interrupt exception handling after execution of the current instruction has been completed.
5. The PC, CCR, and EXR are saved to the stack area by interrupt exception handling. The PC saved on the stack shows the address of the first instruction to be executed after returning from the interrupt handling routine.
6. The T bit in EXR is cleared to 0. The interrupt mask level is rewritten with the priority level of the accepted interrupt. If the accepted interrupt is NMI, the interrupt mask level is set to H'7.
7. The CPU generates a vector address for the accepted interrupt and starts execution of the interrupt handling routine at the address indicated by the contents of the vector address in the vector table.



**Figure 5.4 Flowchart of Procedure Up to Interrupt Acceptance in Control Mode 2**

### 5.6.3 Interrupt Exception Handling Sequence

Figure 5.5 shows the interrupt exception handling sequence. The example shown is for the case where interrupt control mode 0 is set in advanced mode, and the program area and stack area are in on-chip memory.

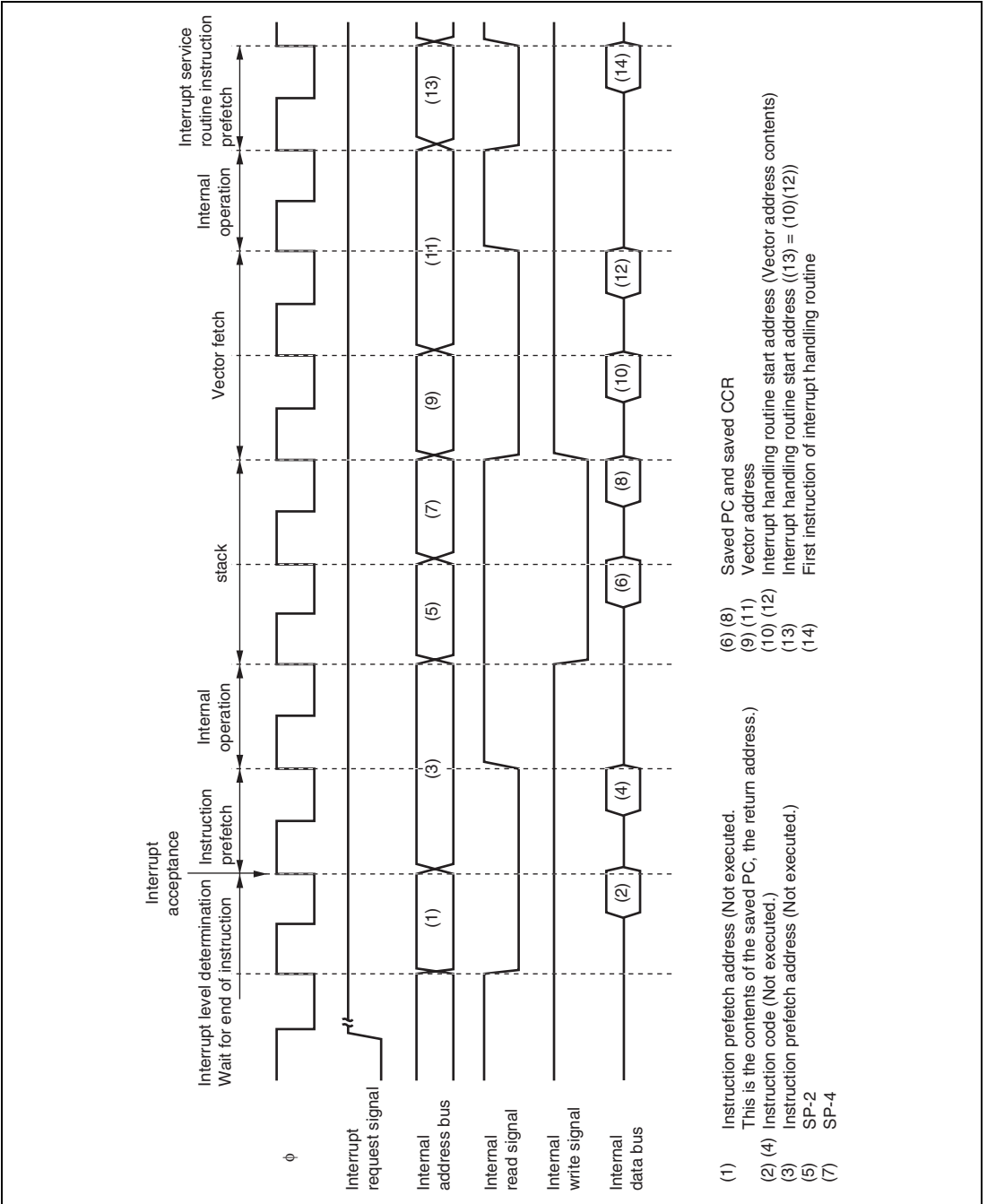


Figure 5.5 Interrupt Exception Handling

## 5.6.4 Interrupt Response Times

Table 5.4 shows interrupt response times - the interval between generation of an interrupt request and execution of the first instruction in the interrupt handling routine. The execution status symbols used in table 5.4 are explained in table 5.5.

This LSI is capable of fast word transfer to on-chip memory, has the program area in on-chip ROM and the stack area in on-chip RAM, enabling high-speed processing.

**Table 5.4 Interrupt Response Times**

No.	Execution Status	Normal Mode* <sup>5</sup>		Advanced Mode	
		Interrupt control mode 0	Interrupt control mode 2	Interrupt control mode 0	Interrupt control mode 2
1	Interrupt priority determination* <sup>1</sup>	3	3	3	3
2	Number of wait states until executing instruction ends* <sup>2</sup>	1 to 19 +2·S <sub>i</sub>	1 to 19+2·S <sub>i</sub>	1 to 19+2·S <sub>i</sub>	1 to 19+2·S <sub>i</sub>
3	PC, CCR, EXR stack save	2·S <sub>k</sub>	3·S <sub>k</sub>	2·S <sub>k</sub>	3·S <sub>k</sub>
4	Vector fetch	S <sub>i</sub>	S <sub>i</sub>	2·S <sub>i</sub>	2·S <sub>i</sub>
5	Instruction fetch* <sup>3</sup>	2·S <sub>i</sub>	2·S <sub>i</sub>	2·S <sub>i</sub>	2·S <sub>i</sub>
6	Internal processing* <sup>4</sup>	2	2	2	2
Total (using on-chip memory)		11 to 31	12 to 32	12 to 32	13 to 33

Notes: 1. Two states in case of internal interrupt.

2. Refers to MULXS and DIVXS instructions.

3. Prefetch after interrupt acceptance and interrupt handling routine prefetch.

4. Internal processing after interrupt acceptance and internal processing after vector fetch.

5. Not available in this LSI.

**Table 5.5 Number of States in Interrupt Handling Routine Execution Status**

Symbol		Object of Access				
		Internal Memory	External Device *			
			8-Bit Bus		16-Bit Bus	
			2-State Access	3-State Access	2-State Access	3-State Access
Instruction fetch	$S_i$	1	4	6+2m	2	3+m
Branch address read	$S_j$					
Stack manipulation	$S_k$					

[Legend]

m: Number of wait states in an external device access.

Note: \* Not available in this LSI.

### 5.6.5 DTC Activation by Interrupt

The DTC can be activated by an interrupt. For details, see section 8, Data Transfer Controller (DTC).



## 5.7 Usage Notes

### 5.7.1 Conflict between Interrupt Generation and Disabling

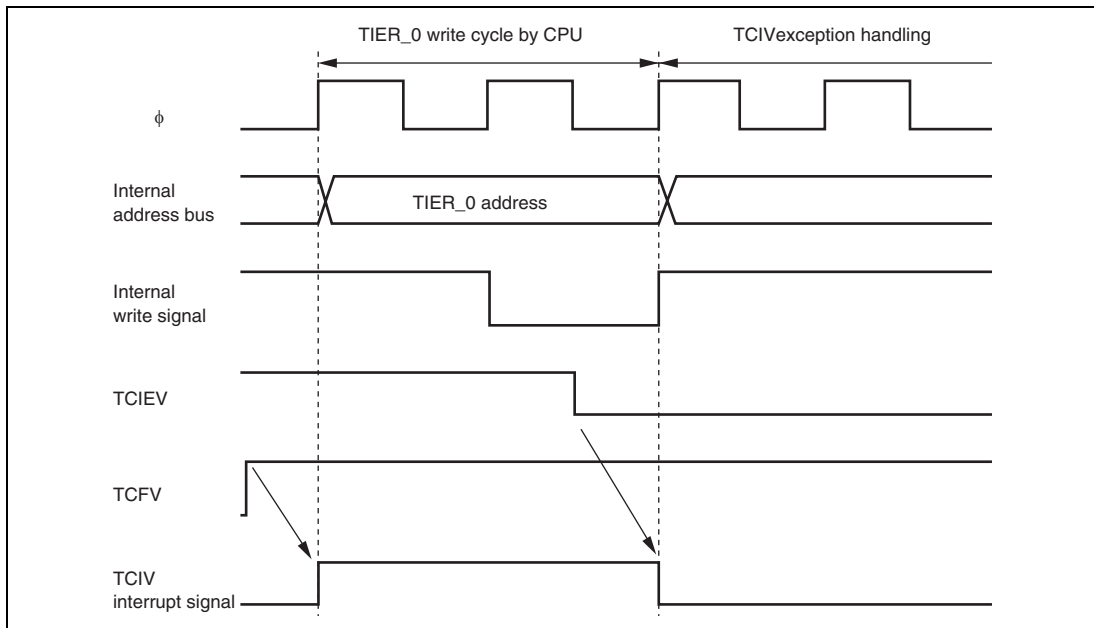
When an interrupt enable bit is cleared to 0 to disable interrupts, the disabling becomes effective after execution of the instruction.

When an interrupt enable bit is cleared to 0 by an instruction such as BCLR or MOV, and if an interrupt is generated during execution of the instruction, the interrupt concerned will still be enabled on completion of the instruction, and so interrupt exception handling for that interrupt will be executed on completion of the instruction. However, if there is an interrupt request of higher priority than that interrupt, interrupt exception handling will be executed for the higher-priority interrupt, and the lower-priority interrupt will be ignored.

The same also applies when an interrupt source flag is cleared to 0.

Figure 5.6 shows an example in which the TCIEV bit in TIER\_0 of the TPU is cleared to 0.

The above conflict will not occur if an enable bit or interrupt source flag is cleared to 0 while the interrupt is masked.



**Figure 5.6 Conflict between Interrupt Generation and Disabling**

### 5.7.2 Instructions that Disable Interrupts

The instructions that disable interrupts are LDC, ANDC, ORC, and XORC. After any of these instructions are executed, all interrupts including NMI are disabled and the next instruction is always executed. When the I bit is set by one of these instructions, the new value becomes valid two states after execution of the instruction ends.

### 5.7.3 When Interrupts Are Disabled

There are times when interrupt acceptance is disabled by the interrupt controller.

The interrupt controller disables interrupt acceptance for a 3-state period after the CPU has updated the mask level with an LDC, ANDC, ORC, or XORC instruction.

### 5.7.4 Interrupts during Execution of EEPMOV Instruction

Interrupt operation differs between the EEPMOV.B instruction and the EEPMOV.W instruction.

With the EEPMOV.B instruction, an interrupt request (including NMI) issued during the transfer is not accepted until the transfer is completed.

With the EEPMOV.W instruction, if an interrupt request is issued during the transfer, interrupt exception handling starts at a break in the transfer cycle. The PC value saved on the stack in this case is the address of the next instruction.

Therefore, if an interrupt is generated during execution of an EEPMOV.W instruction, the following coding should be used.

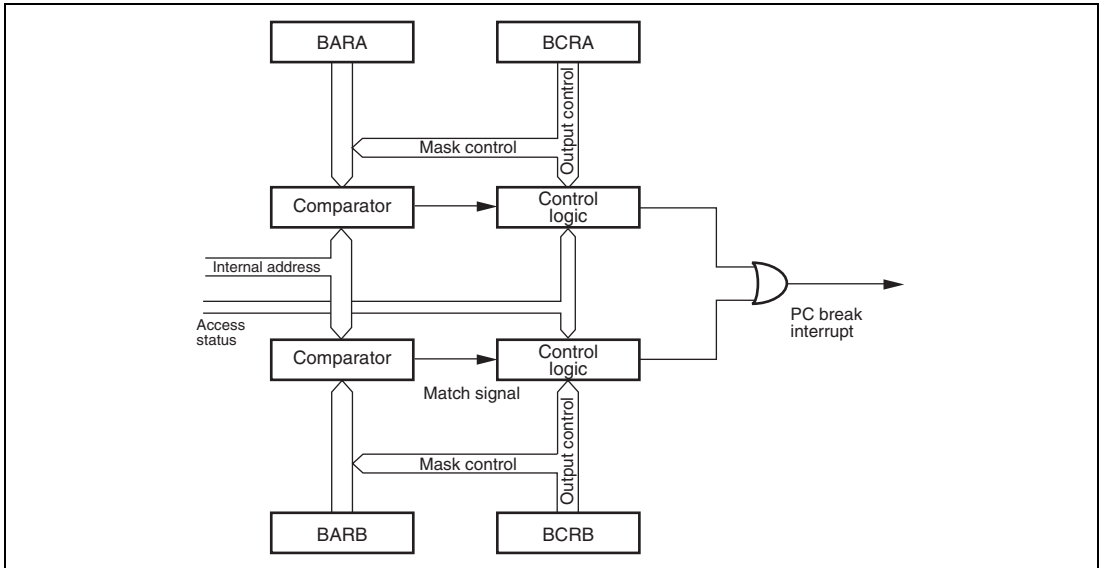
```
L1:   EEPMOV.W
      MOV.W   R4,R4
      BNE    L1
```

## Section 6 PC Break Controller (PBC)

The PC break controller (PBC) provides functions that simplify program debugging. Using these functions, it is easy to create a self-monitoring debugger, enabling programs to be debugged with the chip alone, without using an in-circuit emulator. A block diagram of the PC break controller is shown in figure 6.1.

### 6.1 Features

- Two break channels (A and B)
- 24-bit break address
  - Bit masking possible
- Four types of break compare conditions
  - Instruction fetch
  - data read
  - data write
  - data read/write
- Bus master
  - Either CPU or CPU/DTC can be selected
- The timing of PC break exception handling after the occurrence of a break condition is as follows:
  - Immediately before execution of the instruction fetched at the set address (instruction fetch)
  - Immediately after execution of the instruction that accesses data at the set address (data access)
- Module stop mode can be set



**Figure 6.1 Block Diagram of PC Break Controller**

## 6.2 Register Descriptions

The PC break controller has the following registers.

- Break address register A (BARA)
- Break address register B (BARB)
- Break control register A (BCRA)
- Break control register B (BCRB)

### 6.2.1 Break Address Register A (BARA)

BARA is a 32-bit readable/writable register that specifies the channel A break address.

Bit	Bit Name	Initial Value	R/W	Description
31 to 24	—	Undefined	—	Reserved These bits are read as an undefined value and cannot be modified.
23 to 0	BAA23 to BAA0	H'000000	R/W	These bits set the channel A PC break address.

## 6.2.2 Break Address Register B (BARB)

BARB is the channel B break address register. The bit configuration is the same as for BARA.

## 6.2.3 Break Control Register A (BCRA)

BCRA controls channel A PC breaks. BCRA also contains a condition match flag.

Bit	Bit Name	Initial Value	R/W	Description
7	CMFA	0	R/W	Condition Match Flag A [Setting condition] When a condition set for channel A is satisfied [Clearing condition] When 0 is written to CMFA after reading CMFA = 1
6	CDA	0	R/W	CPU Cycle/DTC Cycle Select A Selects the channel A break condition bus master. 0: CPU 1: CPU or DTC
5	BAMRA2	0	R/W	Break Address Mask Register A2 to A0
4	BAMRA1	0	R/W	These bits specify which bits of the break address set in BARA are to be masked.
3	BAMRA0	0	R/W	000: BAA23 to BAA0 (All bits are unmasked) 001: BAA23 to BAA1 (Lowest bit is masked) 010: BAA23 to BAA2 (Lower 2 bits are masked) 011: BAA23 to BAA3 (Lower 3 bits are masked) 100: BAA23 to BAA4 (Lower 4 bits are masked) 101: BAA23 to BAA8 (Lower 8 bits are masked) 110: BAA23 to BAA12 (Lower 12 bits are masked) 111: BAA23 to BAA16 (Lower 16 bits are masked)

Bit	Bit Name	Initial Value	R/W	Description
2	CSELA1	0	R/W	Break Condition Select A
1	CSELA0	0	R/W	Selects break condition of channel A. 00: Instruction fetch is used as break condition 01: Data read cycle is used as break condition 10: Data write cycle is used as break condition 11: Data read/write cycle is used as break condition
0	BIEA	0	R/W	Break Interrupt Enable A When this bit is 1, the PC break interrupt request of channel A is enabled.

#### 6.2.4 Break Control Register B (BCRB)

BCRB is the channel B break control register. The bit configuration is the same as for BCRA.

### 6.3 Operation

The operation flow from break condition setting to PC break interrupt exception handling is shown in section 6.3.1, PC Break Interrupt Due to Instruction Fetch, and 6.3.2, PC Break Interrupt Due to Data Access, taking the example of channel A.

#### 6.3.1 PC Break Interrupt Due to Instruction Fetch

1. Set the break address in BARA.  
For a PC break caused by an instruction fetch, set the address of the first instruction byte as the break address.
2. Set the break conditions in BCR.  
Set bit 6 (CDA) to 0 to select the CPU because the bus master must be the CPU for a PC break caused by an instruction fetch. Set the address bits to be masked to bits 3 to 5 (BAMA0 to BAMA2). Set bits 1 and 2 (CSELA0 and CSELA1) to 00 to specify an instruction fetch as the break condition. Set bit 0 (BIEA) to 1 to enable break interrupts.
3. When the instruction at the set address is fetched, a PC break request is generated immediately before execution of the fetched instruction, and the condition match flag (CMFA) is set.
4. After priority determination by the interrupt controller, PC break interrupt exception handling is started.

### 6.3.2 PC Break Interrupt Due to Data Access

1. Set the break address in BARA.

For a PC break caused by a data access, set the target ROM, RAM, I/O, or external address space address as the break address. Stack operations and branch address reads are included in data accesses.

2. Set the break conditions in BCRA.

Select the bus master with bit 6 (CDA). Set the address bits to be masked to bits 3 to 5 (BAMA BAMA0 to BAMA2). Set bits 1 and 2 (CSELA0 and CSELA1) to 01, 10, or 11 to specify data access as the break condition. Set bit 0 (BIEA) to 1 to enable break interrupts.

3. After execution of the instruction that performs a data access on the set address, a PC break request is generated and the condition match flag (CMFA) is set.
4. After priority determination by the interrupt controller, PC break interrupt exception handling is started.

### 6.3.3 PC Break Operation at Consecutive Data Transfer

- When a PC break interrupt is generated at the transfer address of an EEPMOV.B instruction PC break exception handling is executed after all data transfers have been completed and the EEPMOV.B instruction has ended.
- When a PC break interrupt is generated at a DTC transfer address PC break exception handling is executed after the DTC has completed the specified number of data transfers, or after data for which the DISEL bit is set to 1 has been transferred.

### 6.3.4 Operation in Transitions to Power-Down Modes

The operation when a PC break interrupt is set for an instruction fetch at the address after a SLEEP instruction is shown below.

1. When the SLEEP instruction causes a transition from high-speed (medium-speed) mode to sleep mode, or from subactive mode to subsleep mode:

After execution of the SLEEP instruction, a transition is not made to sleep mode or subsleep mode, and PC break interrupt handling is executed. After execution of PC break interrupt handling, the instruction at the address after the SLEEP instruction is executed (figure 6-2 (A)).

2. When the SLEEP instruction causes a transition from high-speed (medium-speed) mode to subactive mode:

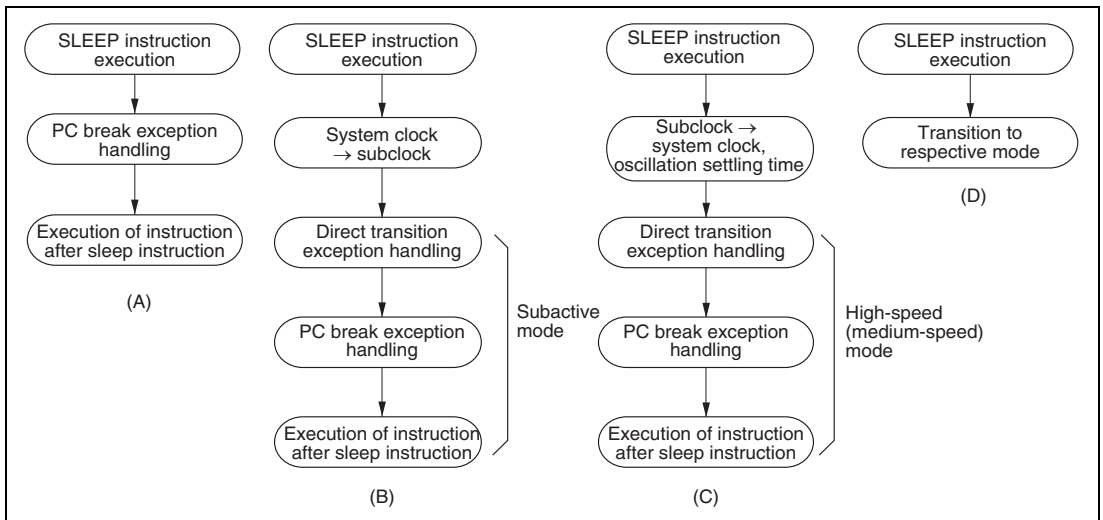
After execution of the SLEEP instruction, a transition is made to subactive mode via direct transition exception handling. After the transition, PC break interrupt handling is executed, then the instruction at the address after the SLEEP instruction is executed (figure 6-2 (B)).

3. When the SLEEP instruction causes a transition from subactive mode to high-speed (medium-speed) mode:

After execution of the SLEEP instruction, and following the clock oscillation settling time, a transition is made to high-speed (medium-speed) mode via direct transition exception handling. After the transition, PC break interrupt handling is executed, then the instruction at the address after the SLEEP instruction is executed (figure 6.2 (C)).

4. When the SLEEP instruction causes a transition to software standby mode or watch mode:

After execution of the SLEEP instruction, a transition is made to the respective mode, and PC break interrupt handling is not executed. However, the CMFA or CMFB flag is set (figure 6.2 (D)).



**Figure 6.2 Operation in Power-Down Mode Transitions**



### 6.3.5 When Instruction Execution Is Delayed by One State

While the break interrupt enable bit is set to 1, instruction execution is one state later than usual.

- For 1-word branch instructions (Bcc d:8, BSR, JSR, JMP, TRAPA, RTE, and RTS) in on-chip ROM or RAM.
- When break interrupt by instruction fetch is set, the set address indicates on-chip ROM or RAM space, and that address is used for data access, the instruction will be one state later than in normal operation.
- When break interrupt by instruction fetch is set and a break interrupt is generated, if the executing instruction immediately preceding the set instruction has one of the addressing modes shown below, and that address indicates on-chip ROM or RAM, the instruction will be one state later than in normal operation.

Addressing modes: @ERn, @(d:16,ERn), @(d:32,ERn), @-ERn/ERn+, @aa:8, @aa:24, @aa:32, @(d:8,PC), @(d:16,PC), @@aa:8

- When break interrupt by instruction fetch is set and a break interrupt is generated, if the executing instruction immediately preceding the set instruction is NOP or SLEEP, or has #xx,Rn as its addressing mode, and that instruction is located in on-chip ROM or RAM, the instruction will be one state later than in normal operation.

## 6.4 Usage Notes

### 6.4.1 Module Stop Mode Setting

PBC operation can be disabled or enabled using the module stop control register. The initial setting is for PBC operation to be halted. Register access is enabled by clearing module stop mode. For details, refer to section 21, Power-Down Modes.

### 6.4.2 PC Break Interrupts

The PC break interrupt is shared by channels A and B. The channel from which the request was issued must be determined by the interrupt handler.

### 6.4.3 CMFA and CMFB

The CMFA and CMFB flags are not automatically cleared to 0, so 0 must be written to CMFA or CMFB after first reading the flag while it is set to 1. If the flag is left set to 1, another interrupt will be requested after interrupt handling ends.

### 6.4.4 PC Break Interrupt when DTC Is Bus Master

A PC break interrupt generated when the DTC is the bus master is accepted after the bus mastership has been transferred to the CPU by the bus controller.

### 6.4.5 PC Break Set for Instruction Fetch at Address Following BSR, JSR, JMP, TRAPA, RTE, or RTS Instruction

Even if the instruction at the address following a BSR, JSR, JMP, TRAPA, RTE, or RTS instruction is fetched, it is not executed, and so a PC break interrupt is not generated by the instruction fetch at the next address.

### 6.4.6 I Bit Set by LDC, ANDC, ORC, or XORC Instruction

When the I bit is set by an LDC, ANDC, ORC, or XORC instruction, a PC break interrupt becomes valid two states after the end of the instruction execution. If a PC break interrupt is set for the instruction following one of these instructions, since interrupts, including NMI, are disabled for a 3-state period in the case of LDC, ANDC, ORC, and XOR, the next instruction is always executed. For details, see section 5, Interrupt Controller.

#### **6.4.7 PC Break Set for Instruction Fetch at Address Following Bcc Instruction**

A PC break interrupt is generated if the instruction at the next address is executed in accordance with the branch condition, and is not generated if the instruction at the next address is not executed.

#### **6.4.8 PC Break Set for Instruction Fetch at Branch Destination Address of Bcc Instruction**

A PC break interrupt is generated if the instruction at the branch destination is executed in accordance with the branch condition, and is not generated if the instruction at the branch destination is not executed.



## Section 7 Bus Controller (BSC)

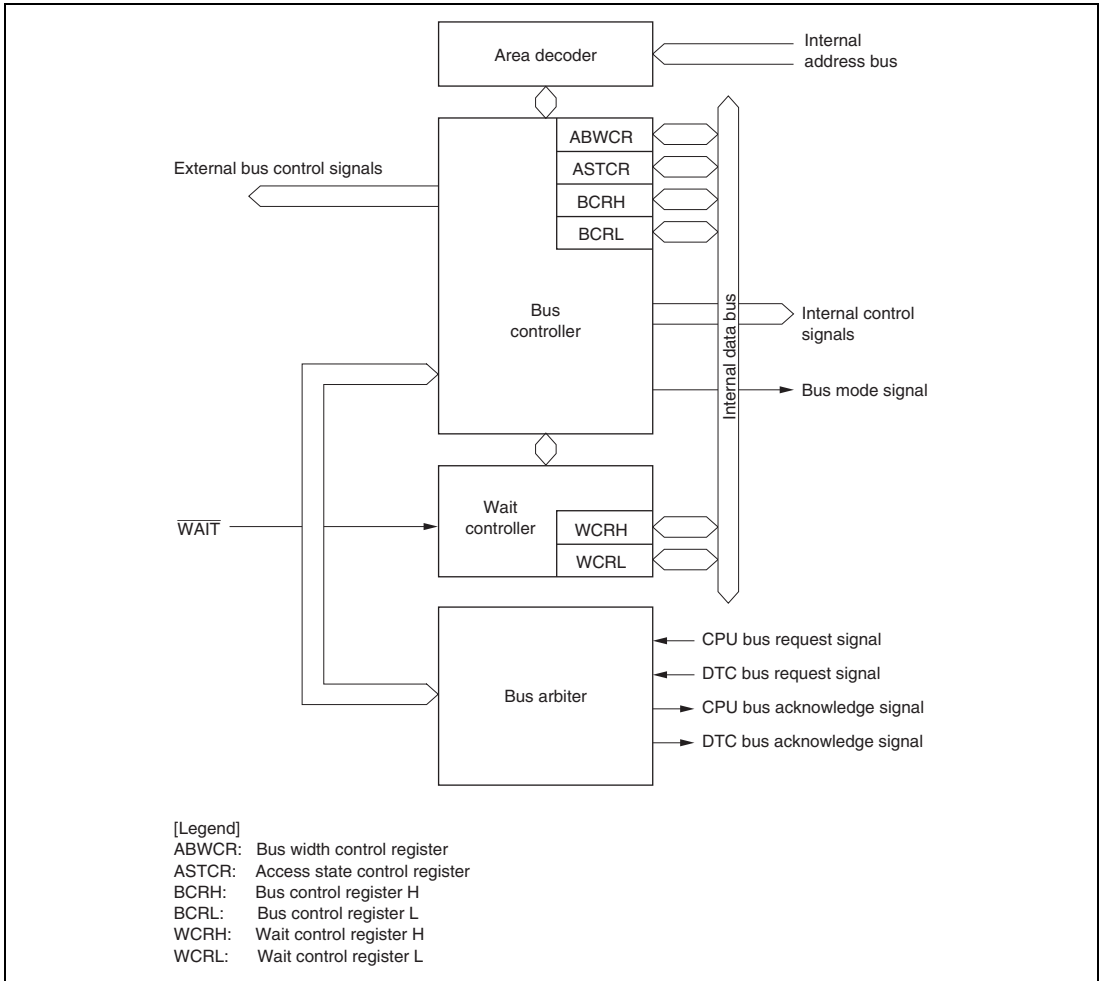
This LSI has an on-chip bus controller (BSC) that manages the external address space divided into eight areas.

The bus controller also has a bus arbitration function, and controls the operation of the bus masterhips—the CPU and data transfer controller (DTC).

### 7.1 Features

- **Manages external address space in area units**  
Manages the external address space divided into eight areas of 2 Mbytes  
Bus specifications can be set independently for each area  
Burst ROM interface can be set
- **Basic bus interface**  
8-bit access or 16-bit access can be selected for each area  
2-state access or 3-state access can be selected for each area  
Program wait states can be inserted for each area
- **Burst ROM interface**  
Burst ROM interface can be set for area 0  
Choice of 1- or 2-state burst access
- **Idle cycle insertion**  
An idle cycle can be inserted between external read cycles for different areas  
An idle cycle can be inserted before an external write cycle immediately after an external read cycle
- **Bus arbitration function**  
Includes a bus arbiter that arbitrates bus mastership between the CPU and DTC

A block diagram of the bus controller is shown in figure 7.1.



**Figure 7.1 Block Diagram of Bus Controller**

## 7.2 Input/Output Pins

Table 7.1 summarizes the pin configuration of the bus controller.

**Table 7.1 Pin Configuration**

Name	Symbol	I/O	Function
Address strobe	$\overline{AS}$	Output	Strobe signal indicating that an external address space is accessed and address output on address bus is enabled.
Read	$\overline{RD}$	Output	Strobe signal indicating that an external address space is being read.
High write	$\overline{HWR}$	Output	Strobe signal indicating that an external address space is written to, and upper half (D15 to D8) of data bus is enabled.
Low write	$\overline{LWR}$	Output	Strobe signal indicating that an external address space is written to, and lower half (D7 to D0) of data bus is enabled.
Wait	$\overline{WAIT}$	Input	Wait request signal when accessing external address space.

## 7.3 Register Descriptions

The bus controller has the following registers.

- Bus width control register (ABWCR)
- Access state control register (ASTCR)
- Wait control register H (WTCRH)
- Wait control register L (WTCRL)
- Bus control register H (BCRH)
- Bus control register L (BCRL)
- Pin function control register (PFCR)

### 7.3.1 Bus Width Control Register (ABWCR)

ABWCR designates each area in the external address space as either 8-bit access space or 16-bit access space.

Bit	Bit Name	Initial Value	R/W	Description
7	ABW7	1/0	R/W	Area 7 to 0 Bus Width Control
6	ABW6	1/0	R/W	These bits select whether the corresponding area is to be designated as 8-bit access space or 16-bit access space. 0: Area n is designated as 16-bit access space 1: Area n is designated as 8-bit access space (n = 7 to 0)
5	ABW5	1/0	R/W	
4	ABW4	1/0	R/W	
3	ABW3	1/0	R/W	
2	ABW2	1/0	R/W	
1	ABW1	1/0	R/W	
0	ABW0	1/0	R/W	

### 7.3.2 Access State Control Register (ASTCR)

ASTCR designates each area in the external address space as either 2-state access space or 3-state access space.

Bit	Bit Name	Initial Value	R/W	Description
7	AST7	1	R/W	Area 7 to 0 Access State Control
6	AST6	1	R/W	These bits select whether the corresponding area is to be designated as 2-state access space or 3-state access space. Wait state insertion is enabled or disabled at the same time. 0: Area n is designated as 2-state access space Wait state insertion in area n access is disabled 1: Area n is designated as 3-state access space Wait state insertion in area n access is enabled (n = 7 to 0)
5	AST5	1	R/W	
4	AST4	1	R/W	
3	AST3	1	R/W	
2	AST2	1	R/W	
1	AST1	1	R/W	
0	AST0	1	R/W	



### 7.3.3 Wait Control Registers H and L (WCRH and WCRL)

WCRH and WCRL select the number of program wait states for each area in the external address space.

- WCRH

Bit	Bit Name	Initial Value	R/W	Description
7	W71	1	R/W	Area 7 Wait Control 1 and 0
6	W70	1	R/W	These bits select the number of program wait states when accessing area 7 while AST7 bit in ASTCR = 1. 00: Program wait not inserted 01: 1 program wait state inserted 10: 2 program wait states inserted 11: 3 program wait states inserted
5	W61	1	R/W	Area 6 Wait Control 1 and 0
4	W60	1	R/W	These bits select the number of program wait states when accessing area 6 while AST6 bit in ASTCR = 1. 00: Program wait not inserted 01: 1 program wait state inserted 10: 2 program wait states inserted 11: 3 program wait states inserted
3	W51	1	R/W	Area 5 Wait Control 1 and 0
2	W50	1	R/W	These bits select the number of program wait states when accessing area 5 while AST5 bit in ASTCR = 1. 00: Program wait not inserted 01: 1 program wait state inserted 10: 2 program wait states inserted 11: 3 program wait states inserted
1	W41	1	R/W	Area 4 Wait Control 1 and 0
0	W40	1	R/W	These bits select the number of program wait states when accessing area 4 while AST4 bit in ASTCR = 1. 00: Program wait not inserted 01: 1 program wait state inserted 10: 2 program wait states inserted 11: 3 program wait states inserted

- WCRL

Bit	Bit Name	Initial Value	R/W	Description
7	W31	1	R/W	Area 3 Wait Control 1 and 0
6	W30	1	R/W	These bits select the number of program wait states when accessing area 3 while AST3 bit in ASTCR = 1. 00: Program wait not inserted 01: 1 program wait state inserted 10: 2 program wait states inserted 11: 3 program wait states inserted
5	W21	1	R/W	Area 2 Wait Control 1 and 0
4	W20	1	R/W	These bits select the number of program wait states when accessing area 2 while AST2 bit in ASTCR = 1. 00: Program wait not inserted 01: 1 program wait state inserted 10: 2 program wait states inserted 11: 3 program wait states inserted
3	W11	1	R/W	Area 1 Wait Control 1 and 0
2	W10	1	R/W	These bits select the number of program wait states when accessing area 1 while AST1 bit in ASTCR = 1. 00: Program wait not inserted 01: 1 program wait state inserted 10: 2 program wait states inserted 11: 3 program wait states inserted
1	W01	1	R/W	Area 0 Wait Control 1 and 0
0	W00	1	R/W	These bits select the number of program wait states when accessing area 0 while AST0 bit in ASTCR = 1. 00: Program wait not inserted 01: 1 program wait state inserted 10: 2 program wait states inserted 11: 3 program wait states inserted

### 7.3.4 Bus Control Register H (BCRH)

BCRH enables or disables idle cycle insertion and specifies the burst ROM interface.

Bit	Bit Name	Initial Value	R/W	Description
7	ICIS1	1	R/W	Idle Cycle Insert 1 When consecutive external read cycles are performed in different areas, an idle cycle can be inserted between the bus cycles. 0: Idle cycle not inserted 1: Idle cycle inserted
6	ICIS0	1	R/W	Idle Cycle Insert 0 When an external read cycle and an external write cycle are performed consecutively, an idle cycle can be inserted between the bus cycles. 0: Idle cycle not inserted 1: Idle cycle inserted
5	BRSTRM	0	R/W	Burst ROM Enable Selects whether the burst ROM interface is used for area 0. 0: Basic bus interface for area 0 1: Burst ROM interface for area 0
4	BRSTS1	1	R/W	Burst Cycle Select 1 Selects the number of burst cycles for the burst ROM interface. 0: 1 state for a burst cycle 1: 2 states for a burst cycle
3	BRSTS0	0	R/W	Burst Cycle Select 0 Selects the number of words that can be accessed in a burst access with the burst ROM interface. 0: Maximum four words in burst access 1: Maximum eight words in burst access
2 to 0	—	All 0	R/W	Reserved The write value should always be 0.

### 7.3.5 Bus Control Register L (BCRL)

BCRL selects the write data buffer function and enables or disables input to the  $\overline{\text{WAIT}}$  pin.

Bit	Bit Name	Initial Value	R/W	Description
7	—	0	R/W	Reserved
6	—	0	R/W	The write value should always be 0.
5	—	0	—	Reserved This bit is always read as 0 and cannot be modified.
4	—	0	R/W	Reserved The write value should always be 0.
3	—	1	R/W	Reserved The write value should always be 1.
2	—	0	R/W	Reserved The write value should always be 0.
1	WDBE	0	R/W	Write Data Buffer Enable Selects the write data buffer function for an external write cycle. 0: Write data buffer function not used 1: Write data buffer function used
0	WAITE	0	R/W	$\overline{\text{WAIT}}$ Pin Enable Enables or disables wait signal input through the $\overline{\text{WAIT}}$ pin. 0: Wait input through $\overline{\text{WAIT}}$ pin disabled $\overline{\text{WAIT}}$ pin can be used as I/O port 1: Wait input through $\overline{\text{WAIT}}$ pin enabled

### 7.3.6 Pin Function Control Register (PFCR)

PFCR controls the address output in expanded mode with on-chip ROM enabled.

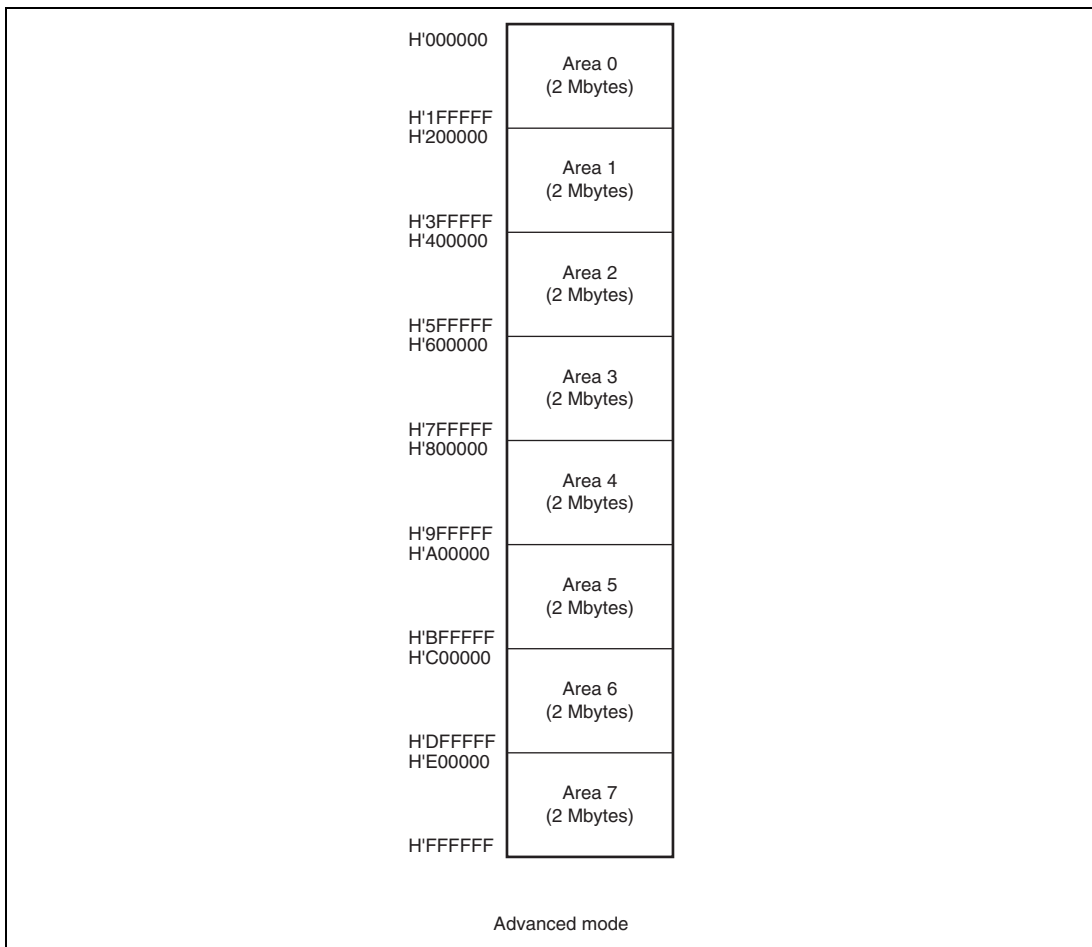
Bit	Bit Name	Initial Value	R/W	Description
7 to 4	—	All 0	—	Reserved The write value should always be 0.
3	AE3	0/1*	R/W	Address Output Enable 3 to 0
2	AE2	0/1*	R/W	These bits enable or disable address outputs A8 to A23 in expanded mode with on-chip ROM. When a pin is enabled for address output, the address is output regardless of the corresponding DDR setting. For a pin disabled for address output, each becomes an output port when the corresponding DDR bit is set to 1. For pins A7 to A0, each becomes an address output when the corresponding DDR bit is set to 1.  0000: A8 to A23 output disabled 0001: A8 output enabled; A9 to A23 output disabled 0010: A8 and A9 output enabled; A10 to A23 output disabled 0011: A8 to A10 output enabled; A11 to A23 output disabled 0100: A8 to A11 output enabled; A12 to A23 output disabled 0101: A8 to A12 output enabled; A13 to A23 output disabled 0110: A8 to A13 output enabled; A14 to A23 output disabled 0111: A8 to A14 output enabled; A15 to A23 output disabled 1000: A8 to A15 output enabled; A16 to A23 output disabled 1001: A8 to A16 output enabled; A17 to A23 output disabled 1010: A8 to A17 output enabled; A18 to A23 output disabled 1011: A8 to A18 output enabled; A19 to A23 output disabled 1100: A8 to A19 output enabled; A20 to A23 output disabled 1101: A8 to A20 output enabled; A21 to A23 output disabled 1110: A8 to A21 output enabled; A22 and A23 output disabled 1111: A8 to A23 output enabled
1	AE1	0	R/W	
0	AE0	0/1*	R/W	

Note: \* In expanded mode with on-chip ROM enabled, bits 3 to 0 are initialized to B'0000. In expanded mode with on-chip ROM disabled, bits 3 to 0 are initialized to B'1101.

## 7.4 Bus Control

### 7.4.1 Area Division

The bus controller divides the 16-Mbyte address space into eight areas, 0 to 7, in 2-Mbyte units, and performs bus control for external address space in area units. Figure 7.2 shows an outline of the memory map.



**Figure 7.2 Area Divisions**

## 7.4.2 Bus Specifications

The external address space bus specifications consist of three elements: bus width, number of access states, and number of program wait states. The bus width and number of access states for on-chip memory and internal I/O registers are fixed, and are not affected by the bus controller.

**Bus Width:** A bus width of 8 or 16 bits can be selected with ABWCR. An area for which an 8-bit bus is selected functions as an 8-bit access space, and an area for which a 16-bit bus is selected functions as a 16-bit access space. If all areas are designated as 8-bit access space, 8-bit bus mode is set; if any area is designated as 16-bit access space, 16-bit bus mode is set.

**Number of Access States:** Two or three access states can be selected with ASTCR. An area for which 2-state access is selected functions as a 2-state access space, and an area for which 3-state access is selected functions as a 3-state access space.

When 2-state access space is designated, wait insertion is disabled. When 3-state access space is designated, it is possible to insert program waits by means of the WCRH and WCRL, and external waits by means of the  $\overline{\text{WAIT}}$  pin.

**Number of Program Wait States:** When 3-state access space is designated by ASTCR, the number of program wait states to be inserted automatically is selected with WCRH and WCRL. From 0 to 3 program wait states can be selected.

Table 7.2 shows the bus specifications (bus width, number of access states, and program wait states) for each basic bus interface area.

**Table 7.2 Bus Specifications for Each Area (Basic Bus Interface)**

ABWCR	ASTCR	WCRH, WCRL		Bus Specifications (Basic Bus Interface)		
		ABWn	ASTn	Wn1	Wn0	Bus Width
0	0	—	—	16	2	0
	1	0	0		3	0
		1	1		1	
		1	0		2	
		1	1		3	
		1	0		0	
1	1	0				
1	0	—	—	8	2	0
	1	0	0		3	0
		1	1		1	
		1	0		2	
		1	0		3	
		1	1		0	
1	1	1				

(n = 0 to 7)

### 7.4.3 Memory Interfaces

The memory interfaces in this LSI allow direct connection of ROM, SRAM, and so on.

The initial state of each area is 3-state access space with the basic bus interface. The initial bus width is selected according to the operating mode.

**Area 0:** Area 0 includes on-chip ROM in expanded mode with on-chip ROM enabled and the space excluding on-chip ROM is external address space. In expanded mode with on-chip ROM disabled, all of area 0 is external address space.

Either basic bus interface or burst ROM interface can be selected for area 0.

**Areas 1 to 6:** In externally expanded mode, areas 1 to 6 are all external address space.

Only the basic bus interface can be used for areas 1 to 6.



**Area 7:** Area 7 includes the on-chip RAM and internal I/O registers. In externally expanded mode, the space excluding the on-chip RAM and internal I/O registers is external address space. The on-chip RAM is enabled when the RAME bit is set to 1 in the system control register (SYSCR); when the RAME bit is cleared to 0, the on-chip RAM is disabled and the corresponding addresses are in external address space.

Only the basic bus interface can be used for area 7.

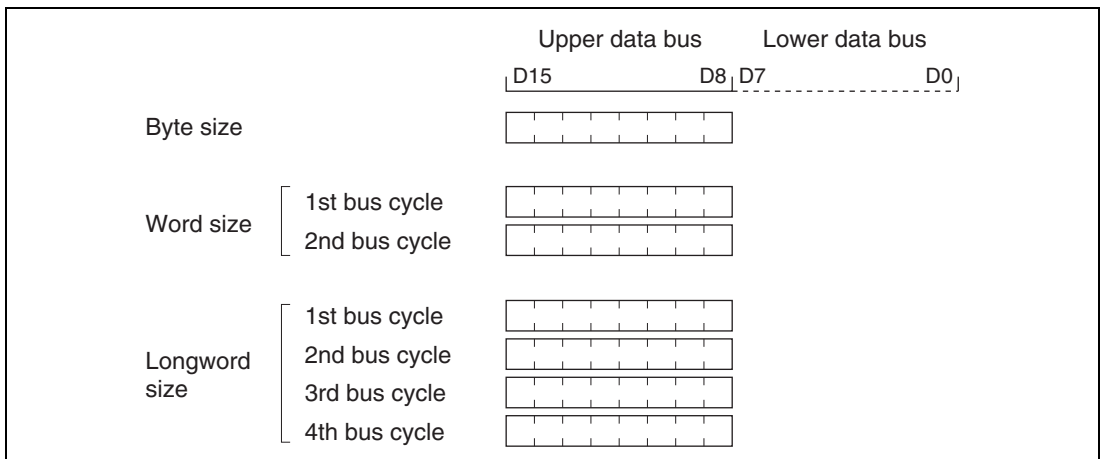
## 7.5 Basic Bus Interface

The basic bus interface enables direct connection of ROM, SRAM, and so on.

### 7.5.1 Data Size and Data Alignment

Data sizes for the CPU and other internal bus masters are byte, word, and longword. The bus controller has a data alignment function, and when accessing external address space, controls whether the upper data bus (D15 to D8) or lower data bus (D7 to D0) is used according to the bus specifications for the area being accessed (8-bit access space or 16-bit access space) and the data size.

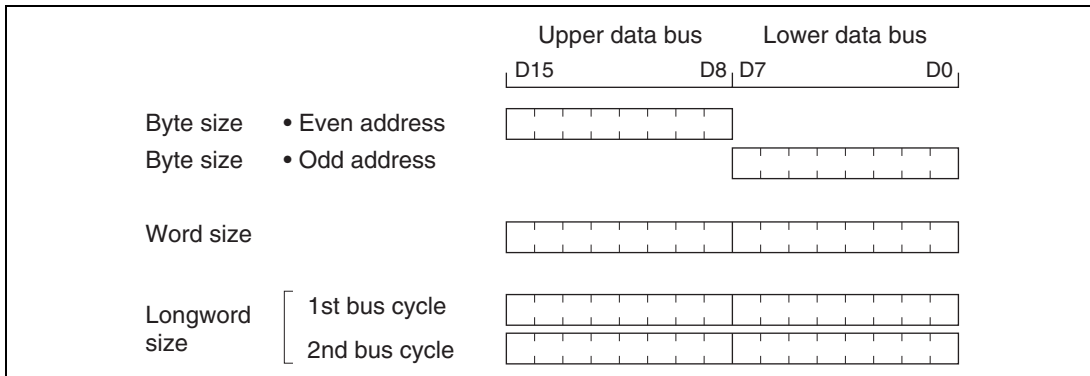
**8-Bit Access Space:** Figure 7.3 illustrates data alignment control for the 8-bit access space. With the 8-bit access space, the upper data bus (D15 to D8) is always used for accesses. The amount of data that can be accessed at one time is one byte: a word access is performed as two byte accesses, and a longword access, as four byte accesses.



**Figure 7.3 Access Sizes and Data Alignment Control (8-Bit Access Space)**

**16-Bit Access Space:** Figure 7.4 illustrates data alignment control for the 16-bit access space. With the 16-bit access space, the upper data bus (D15 to D8) and lower data bus (D7 to D0) are used for accesses. The amount of data that can be accessed at one time is one byte or one word, and a longword access is executed as two word accesses.

In byte access, whether the upper or lower data bus is used is determined by whether the address is even or odd. The upper data bus is used for an even address, and the lower data bus for an odd address.



**Figure 7.4 Access Sizes and Data Alignment Control (16-bit Access Space)**

## 7.5.2 Valid Strobes

Table 7.3 shows the data buses used and valid strobes for the access spaces.

In a read, the  $\overline{RD}$  signal is valid for both the upper and the lower half of the data bus. In a write, the  $\overline{HWR}$  signal is valid for the upper half of the data bus, and the  $\overline{LWR}$  signal for the lower half.

**Table 7.3 Data Buses Used and Valid Strobes**

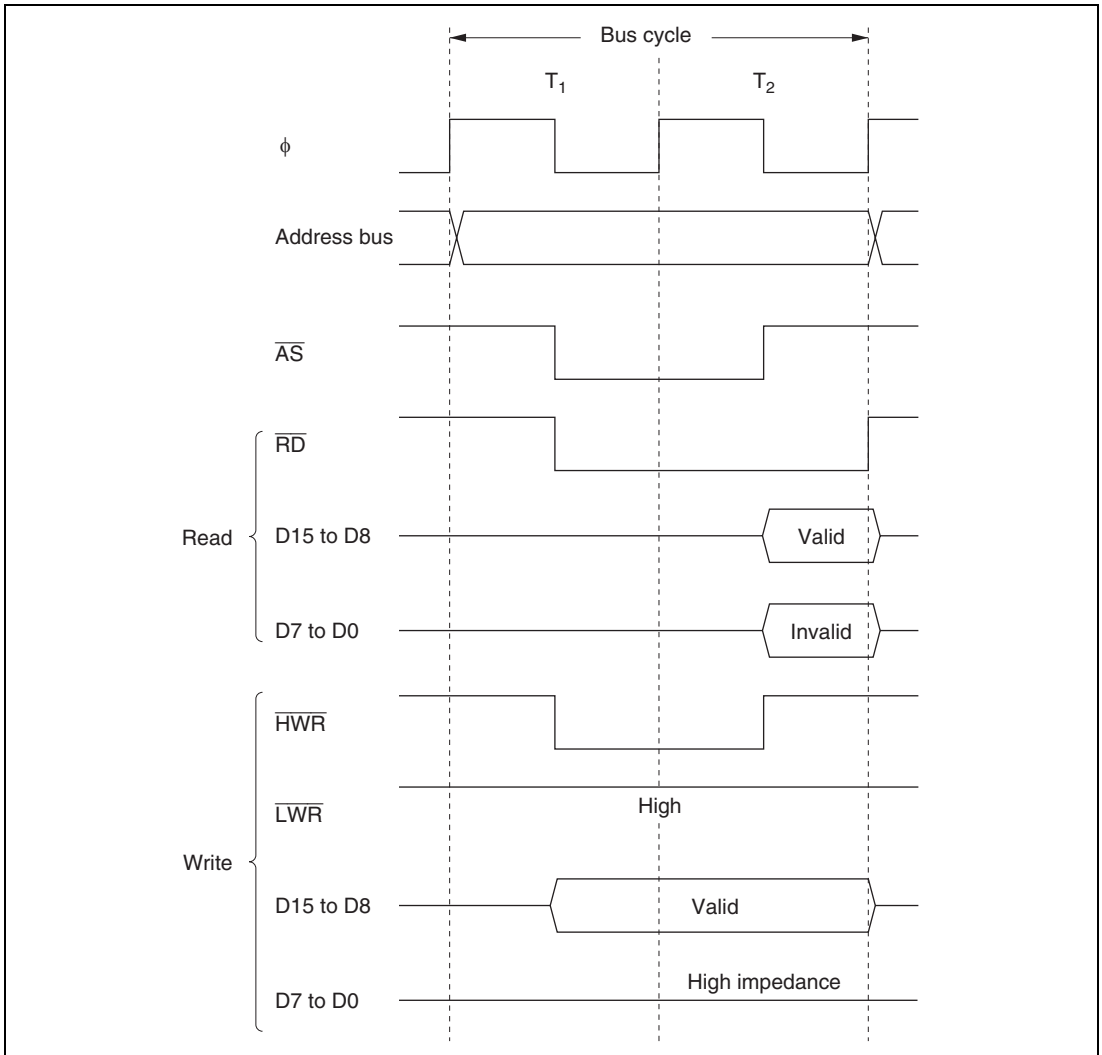
Area	Access Size	Read/Write	Address	Valid Strobe	Upper Data Bus (D15 to D8)	Lower Data Bus (D7 to D0)
8-bit access space	Byte	Read	—	$\overline{RD}$	Valid	Invalid
		Write	—	$\overline{HWR}$		Hi-Z
16-bit access space	Byte	Read	Even	$\overline{RD}$	Valid	Invalid
			Odd		Invalid	Valid
		Write	Even	$\overline{HWR}$	Valid	Hi-Z
			Odd	$\overline{LWR}$	Hi-Z	Valid
Word	Read	—	$\overline{RD}$	Valid	Valid	
	Write	—		$\overline{HWR}, \overline{LWR}$	Valid	Valid

Note: Hi-Z: High-impedance state

Invalid: Input state; input value is ignored.

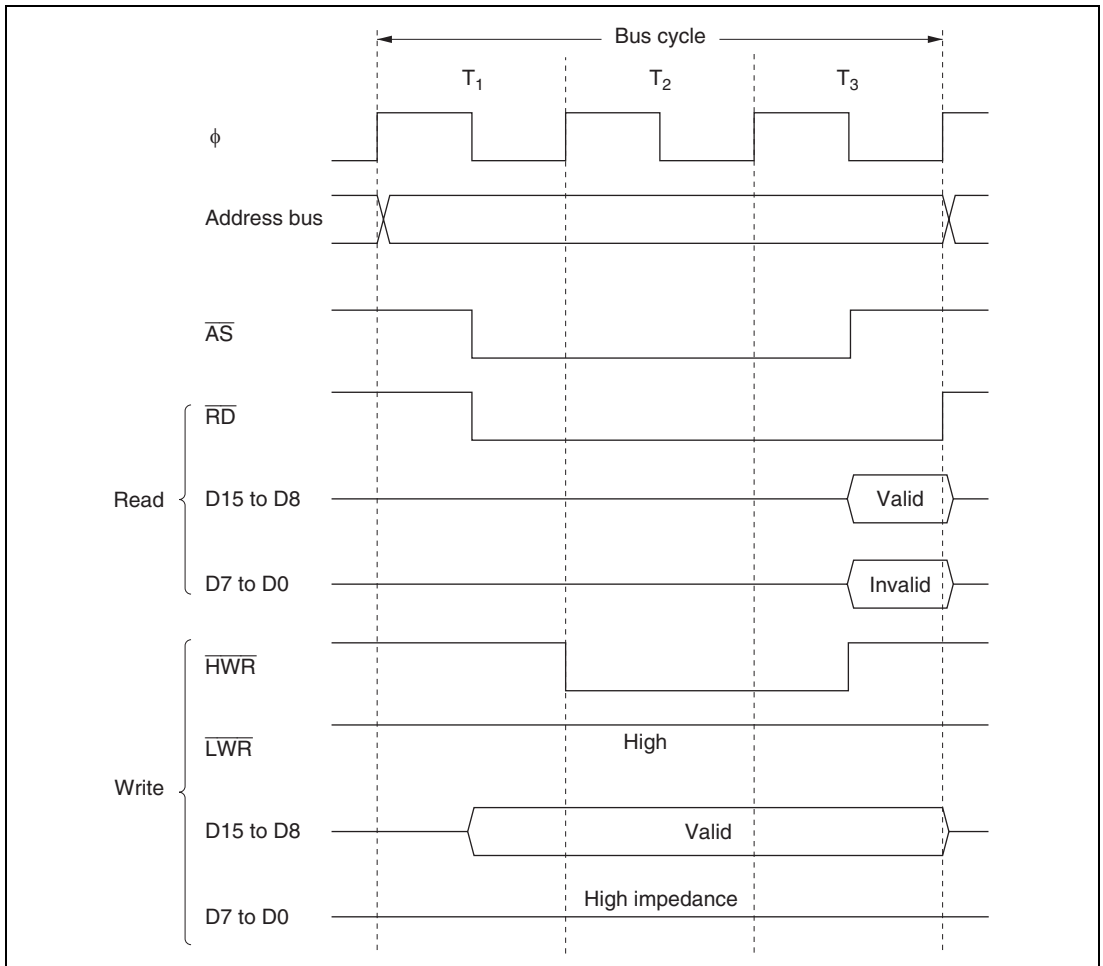
### 7.5.3 Basic Timing

**8-Bit, 2-State Access Space:** Figure 7.5 shows the bus timing for an 8-bit, 2-state access space. When an 8-bit access space is accessed, the upper half (D15 to D8) of the data bus is used. The  $\overline{\text{LWR}}$  pin is always fixed high. Wait states cannot be inserted.



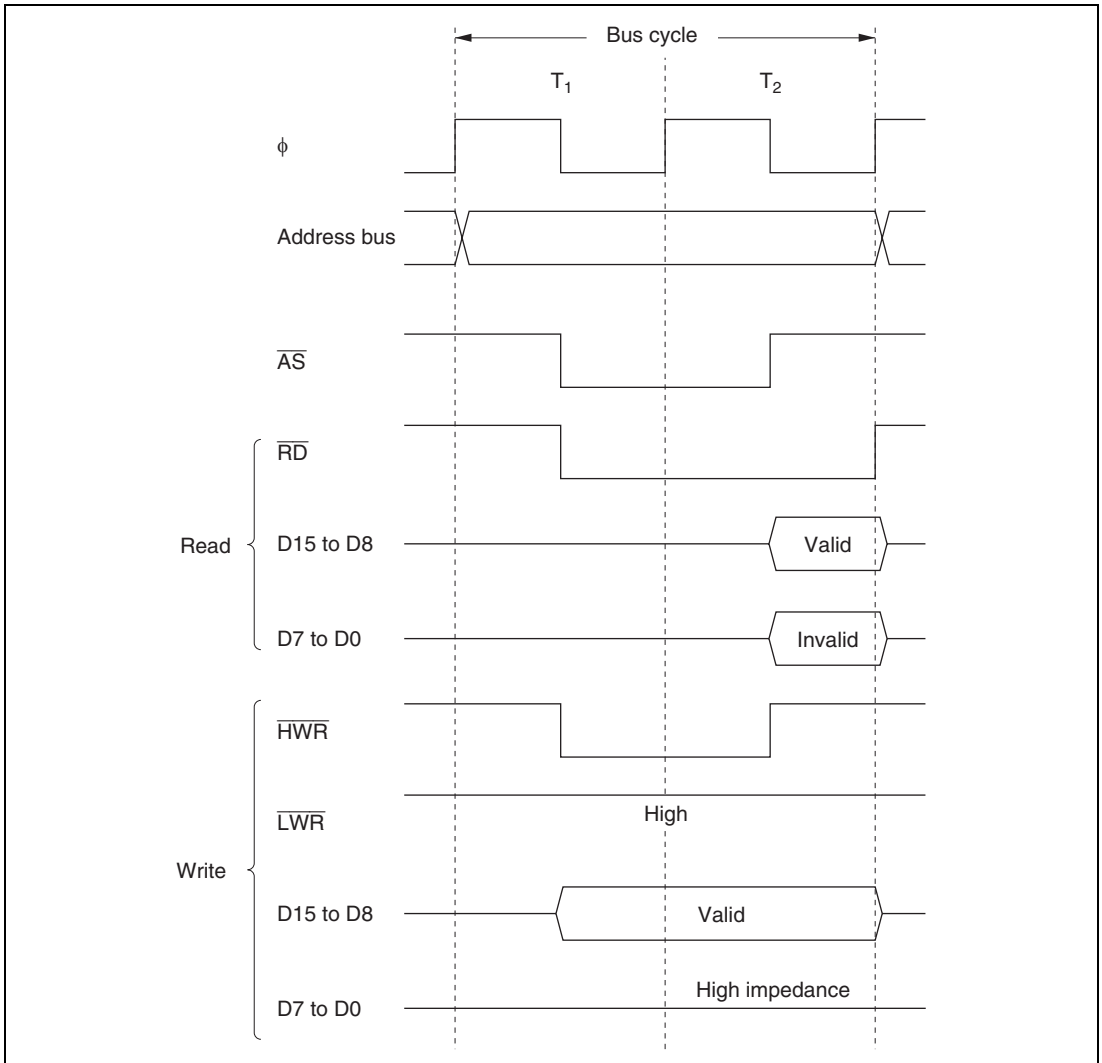
**Figure 7.5 Bus Timing for 8-Bit, 2-State Access Space**

**8-Bit, 3-State Access Space:** Figure 7.6 shows the bus timing for an 8-bit, 3-state access space. When an 8-bit access space is accessed, the upper half (D15 to D8) of the data bus is used. The  $\overline{\text{LWR}}$  pin is always fixed high. Wait states can be inserted.

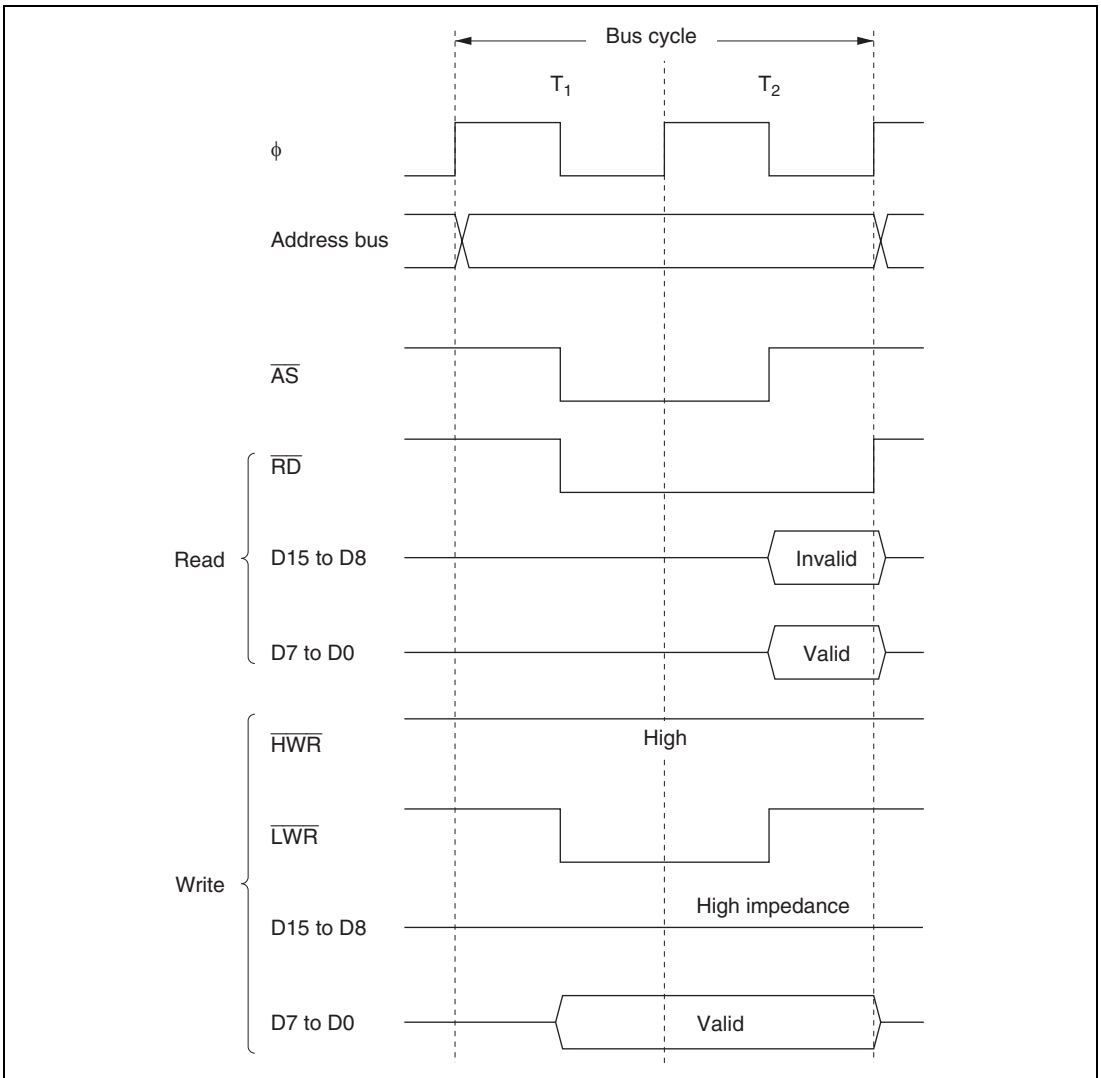


**Figure 7.6 Bus Timing for 8-Bit, 3-State Access Space**

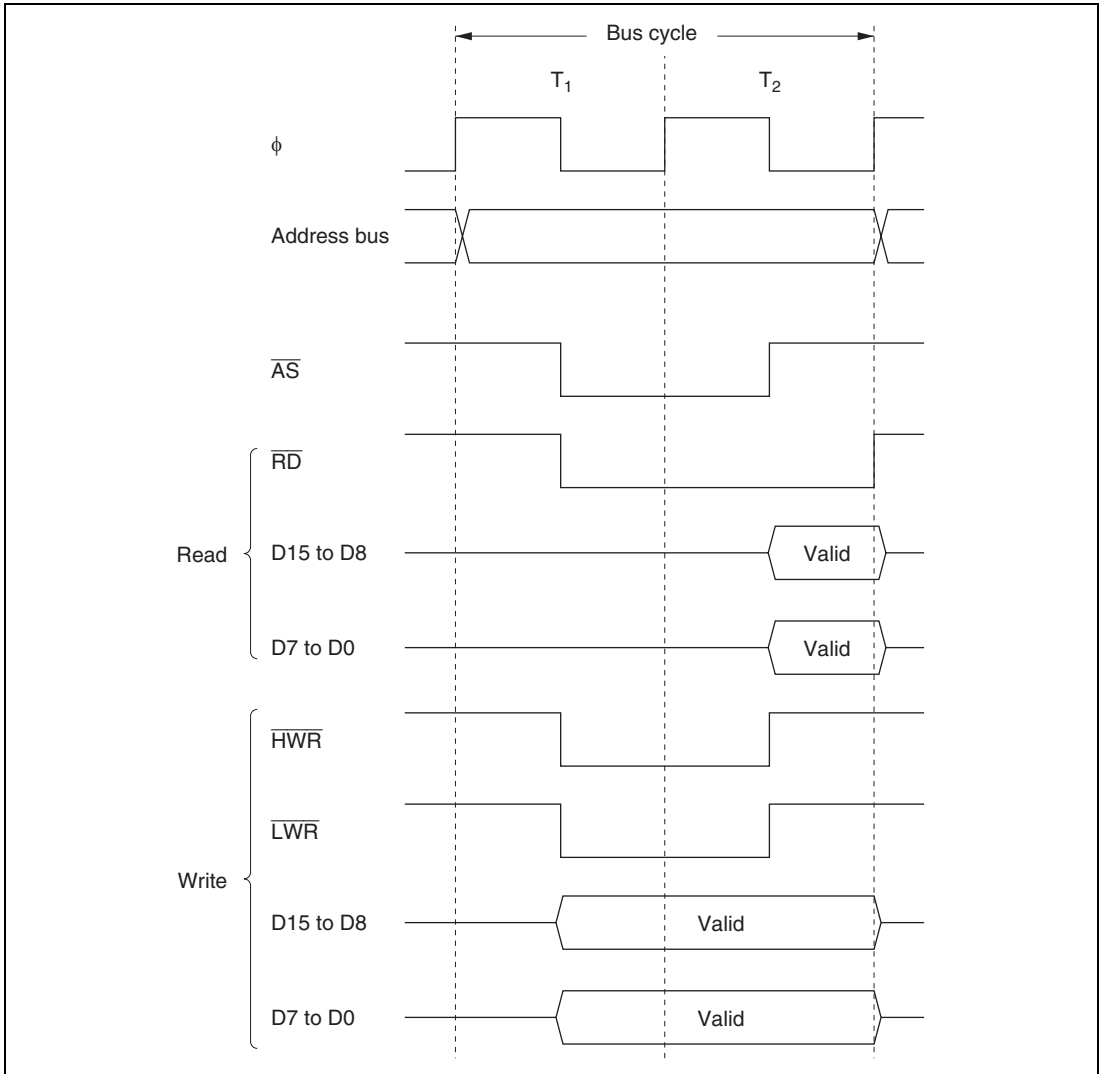
**16-Bit, 2-State Access Space:** Figures 7.7 to 7.9 show bus timings for a 16-bit, 2-state access space. When a 16-bit access space is accessed, the upper half (D15 to D8) of the data bus is used for odd addresses, and the lower half (D7 to D0) for even addresses. Wait states cannot be inserted.



**Figure 7.7 Bus Timing for 16-Bit, 2-State Access Space  
(Even Address Byte Access)**



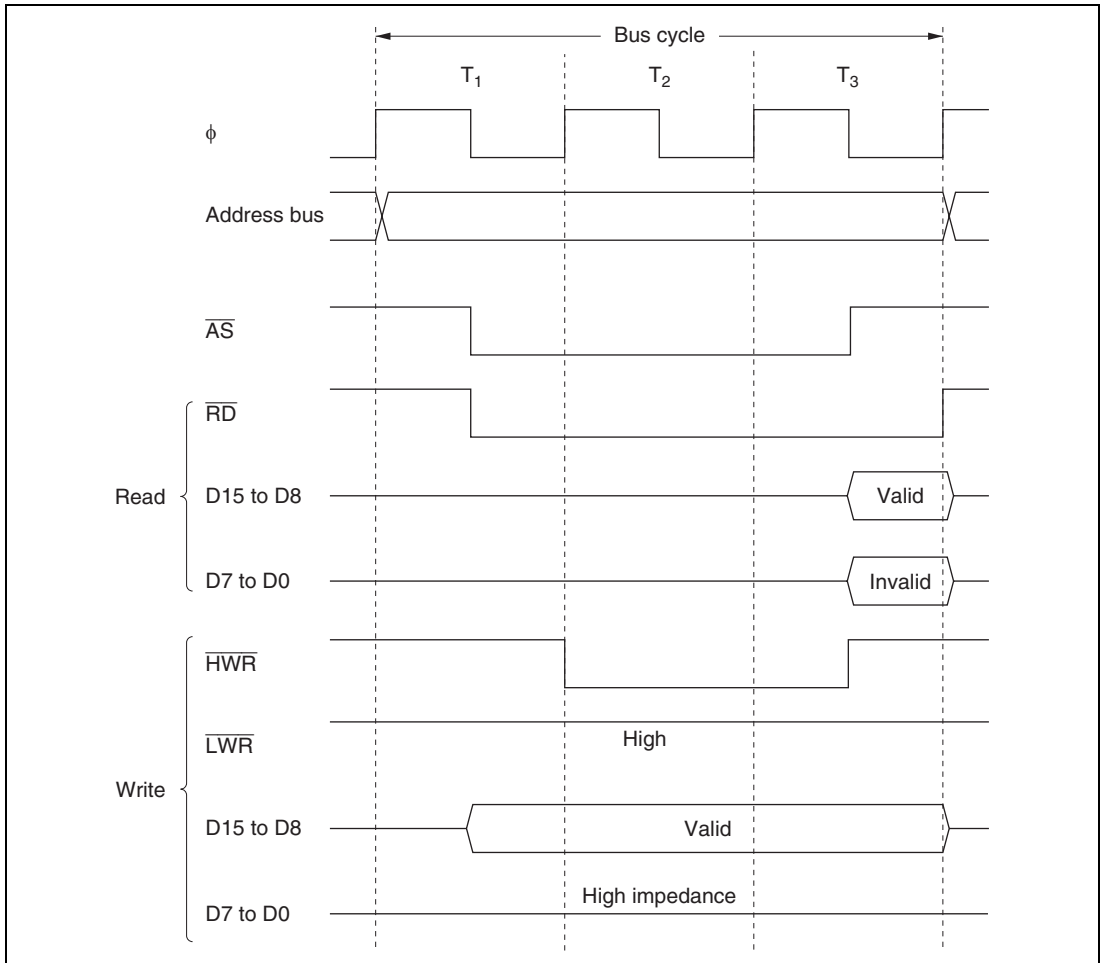
**Figure 7.8 Bus Timing for 16-Bit, 2-State Access Space  
(Odd Address Byte Access)**



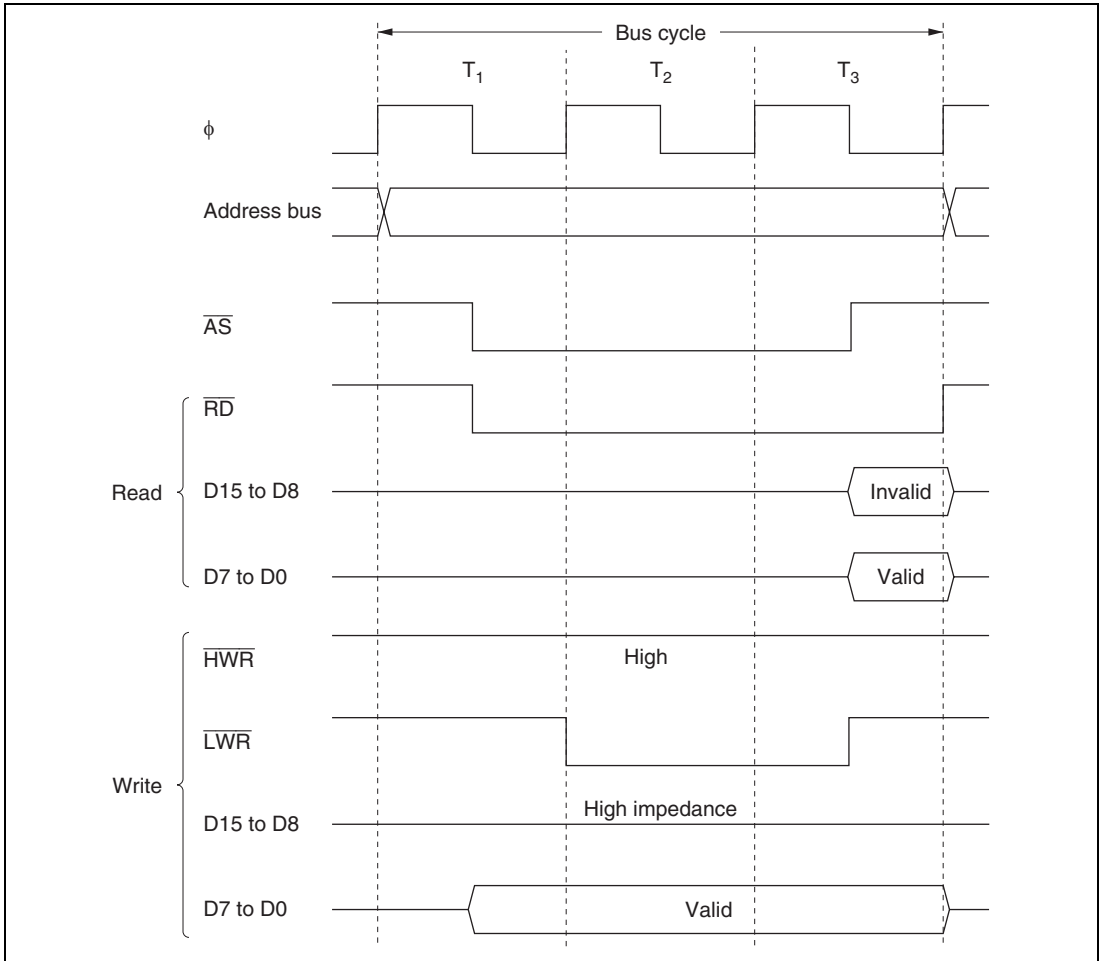
**Figure 7.9 Bus Timing for 16-Bit, 2-State Access Space (Word Access)**



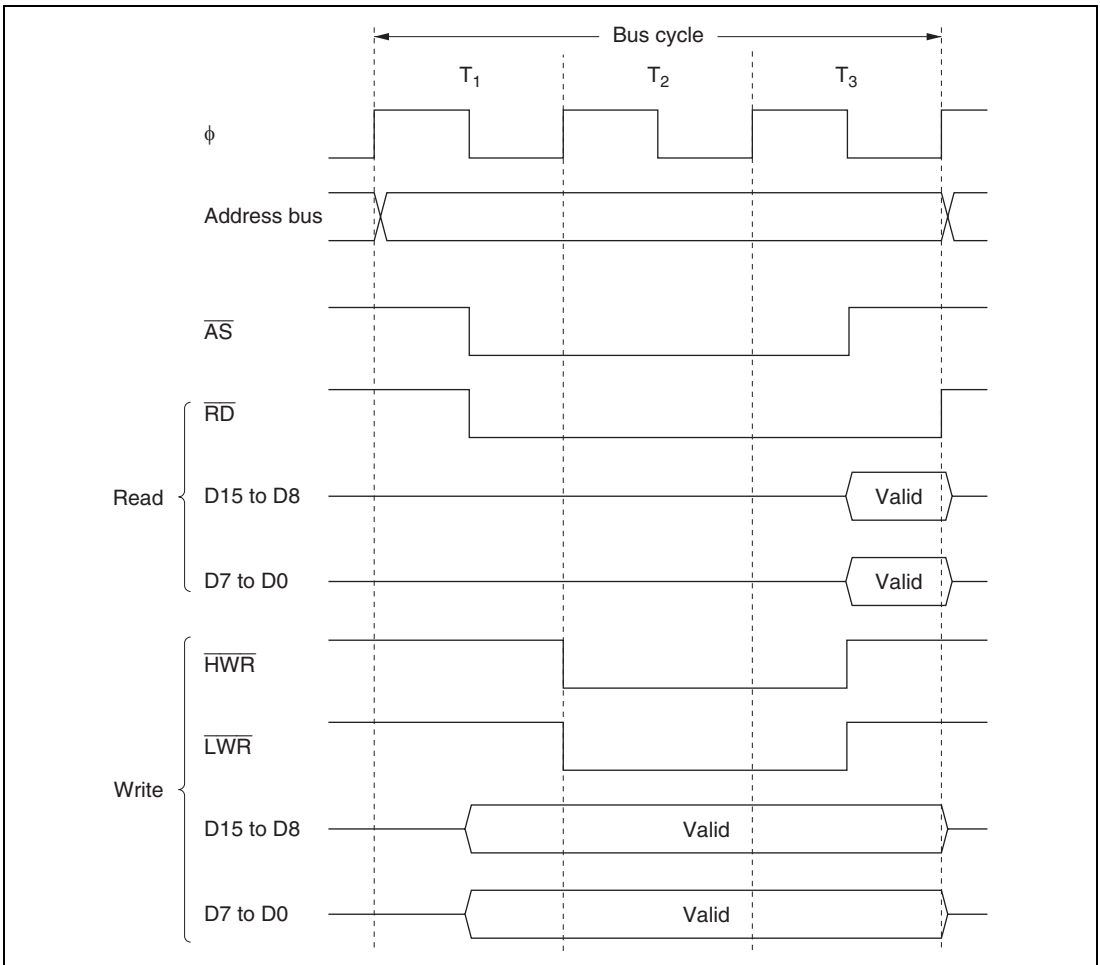
**16-Bit, 3-State Access Space:** Figures 7.10 to 7.12 show bus timings for a 16-bit, 3-state access space. When a 16-bit access space is accessed, the upper half (D15 to D8) of the data bus is used for the even address, and the lower half (D7 to D0) for the odd address. Wait states can be inserted.



**Figure 7.10 Bus Timing for 16-Bit, 3-State Access Space  
(Even Address Byte Access)**



**Figure 7.11 Bus Timing for 16-Bit, 3-State Access Space (Odd Address Byte Access)**



**Figure 7.12 Bus Timing for 16-Bit, 3-State Access Space  
(Word Access)**

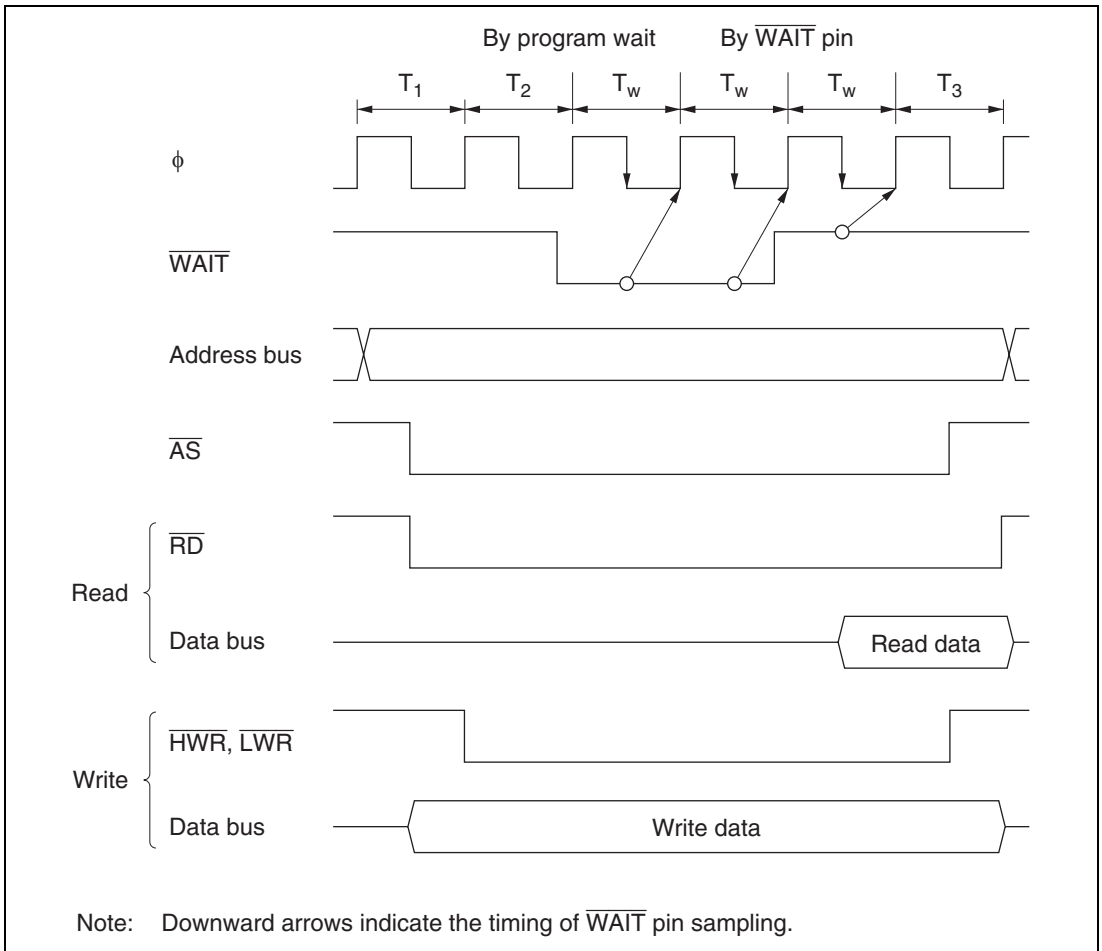
### 7.5.4 Wait Control

When accessing external space, this LSI can extend the bus cycle by inserting one or more wait states ( $T_w$ ). There are two ways of inserting wait states: program wait insertion and pin wait insertion using the  $\overline{WAIT}$  pin.

**Program Wait Insertion:** From 0 to 3 wait states can be inserted automatically between the  $T_2$  state and  $T_3$  state on an individual area basis in 3-state access space, according to the settings in  $WCRH$  and  $WCRL$ .

**Pin Wait Insertion:** Setting the WAITE bit to 1 in BCRH enables wait input by means of the  $\overline{\text{WAIT}}$  pin. When an external address space is accessed in this state, a program wait is first inserted in accordance with the settings in WCRH and WCRL. If the  $\overline{\text{WAIT}}$  pin is low at the falling edge of  $\phi$  in the last  $T_2$  or  $T_w$  state, another  $T_w$  state is inserted. If the  $\overline{\text{WAIT}}$  pin is held low,  $T_w$  states are inserted until it goes high. This is useful when inserting four or more  $T_w$  states, or when changing the number of  $T_w$  states to be inserted for different external devices. The WAITE bit setting applies to all areas. Figure 7.13 shows an example of wait state insertion timing.

The settings after a power-on reset are: 3-state access, insertion of three program wait states, and  $\overline{\text{WAIT}}$  input disabled.



**Figure 7.13 Example of Wait State Insertion Timing**

## 7.6 Burst ROM Interface

In this LSI, external space area 0 can be designated as burst ROM space, and burst ROM interfacing performed. The burst ROM space interface enables ROM with burst access capability to be accessed at high speed.

Area 0 can be designated as burst ROM space by means of bit BSTRM in BCRH. Continuous burst accesses of four or eight words can be performed, according to the setting of the BRSTS0 bit in BCRH. One or two states can be selected for burst access.

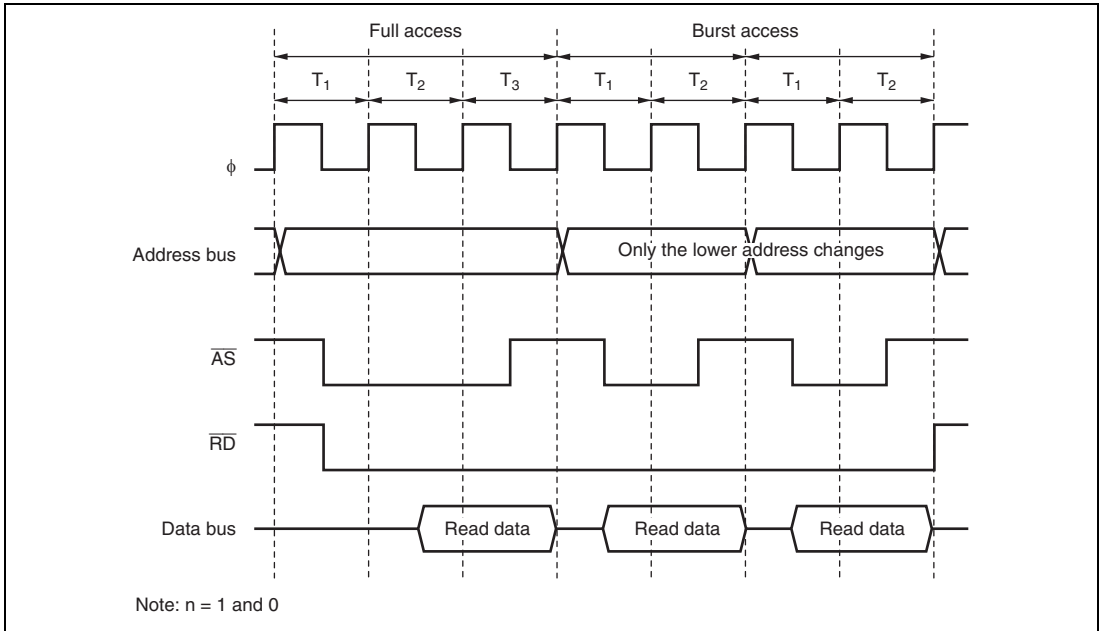
In burst ROM interface space, burst access covers only CPU read accesses.

### 7.6.1 Basic Timing

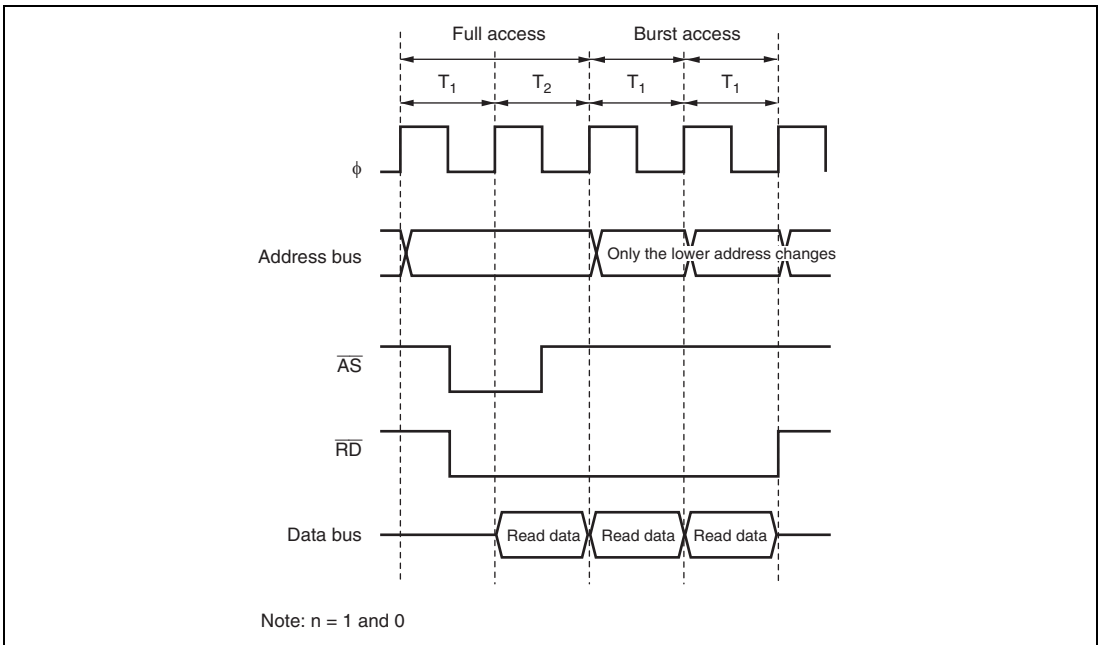
The number of access states in the initial cycle (full access) with the burst ROM interface is determined by the AST0 setting in ASTCR. Wait states can be inserted when the AST0 bit is set to 1. One or two states can be selected for the burst cycle according to the BRSTS1 bit setting in BCRH. Wait states cannot be inserted. When area 0 is designated as burst ROM space, area 0 is a 16-bit access space regardless of the ABW0 bit setting in ABWCR.

When the BRSTS0 bit in BCRH is cleared to 0, burst access of up to four words is performed. When the BRSTS0 bit is set to 1, burst access of up to eight words is performed.

The basic access timing for burst ROM space is shown in figures 7.14 and 7.15.



**Figure 7.14 Example of Burst ROM Access Timing**  
(AST0 = 1 and BRSTS0 = 1)



**Figure 7.15 Example of Burst ROM Access Timing**  
( $AST0 = 0$  and  $BRSTS1 = 0$ )

## 7.6.2 Wait Control

As with the basic bus interface, either program wait insertion or pin wait insertion using the  $\overline{WAIT}$  pin can be used in the initial cycle (full access) on the burst ROM interface. See section 7.5.4, Wait Control. Wait states cannot be inserted in a burst cycle.

## 7.6.3 Write Access

When a write access to burst ROM interface space is executed, burst access is interrupted at that point and the write access is executed in line with the basic bus interface settings. Write accesses are not performed in burst mode even though burst ROM space is designated.

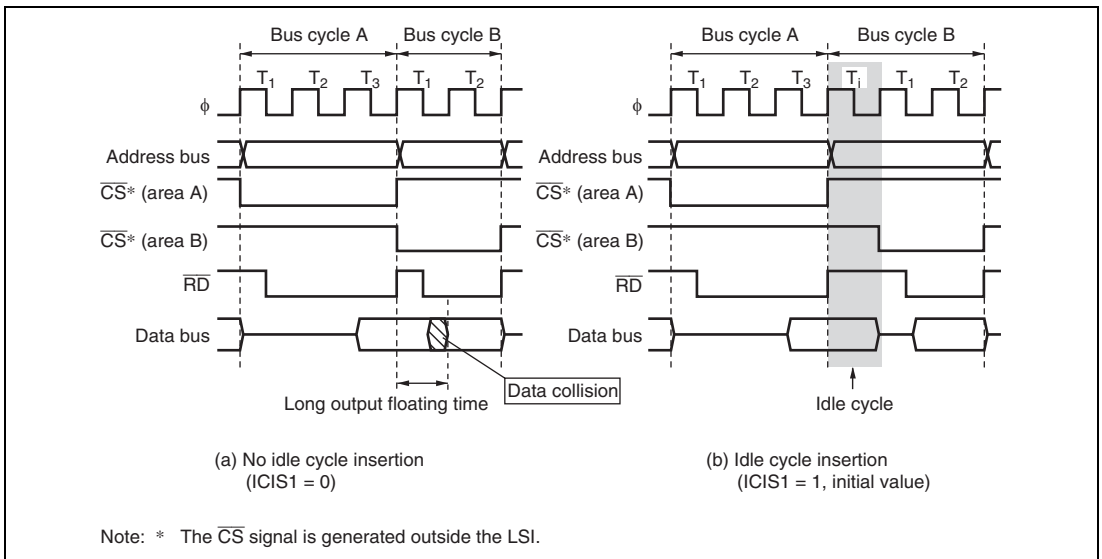
## 7.7 Idle Cycle

### 7.7.1 Operation

When this LSI accesses external address space, it can insert a 1-state idle cycle ( $T_i$ ) between bus cycles in the following two cases: (1) when read accesses in different areas occur consecutively and (2) when a write cycle occurs immediately after a read cycle. By inserting an idle cycle, it is possible, for example, to avoid data collisions between memory with a long output floating time (such as ROM) and high-speed memory, I/O interfaces, and so on.

**Consecutive Reads in Different Areas:** If consecutive reads in different areas occur while the ICIS1 bit is set to 1 in BCRH, an idle cycle is inserted at the start of the second read cycle.

Figure 7.16 shows an example of the operation in this case. In this example, bus cycle A is a read cycle for ROM with a long output floating time, and bus cycle B is a read cycle for SRAM, each being located in a different area. In (a), an idle cycle is not inserted, and a collision occurs in bus cycle B between the read data from ROM and that from SRAM. In (b), an idle cycle is inserted, and a data collision is prevented.

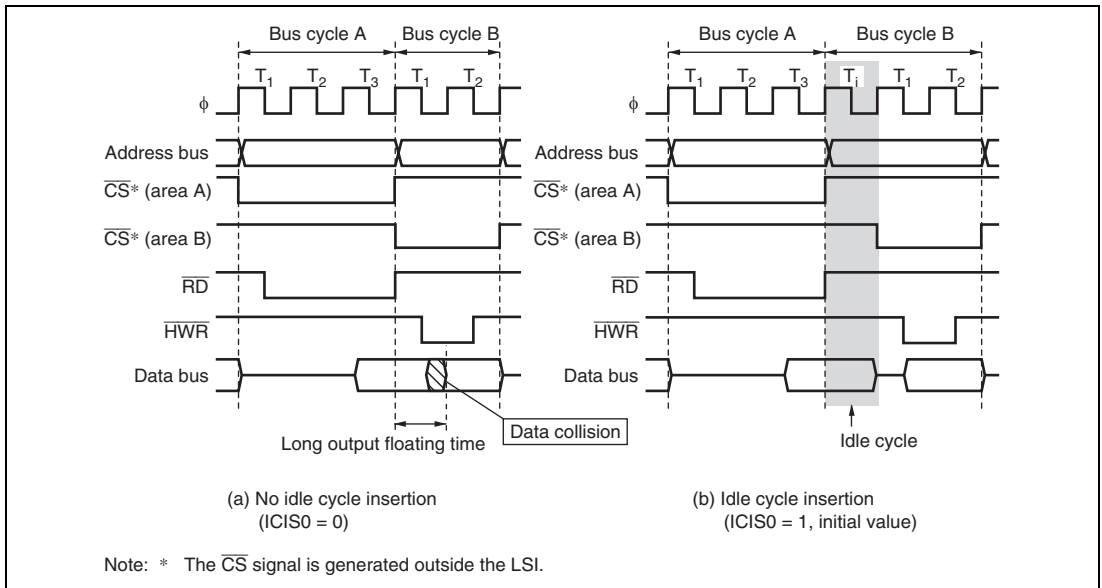


**Figure 7.16 Example of Idle Cycle Operation  
(Consecutive Reads in Different Areas)**



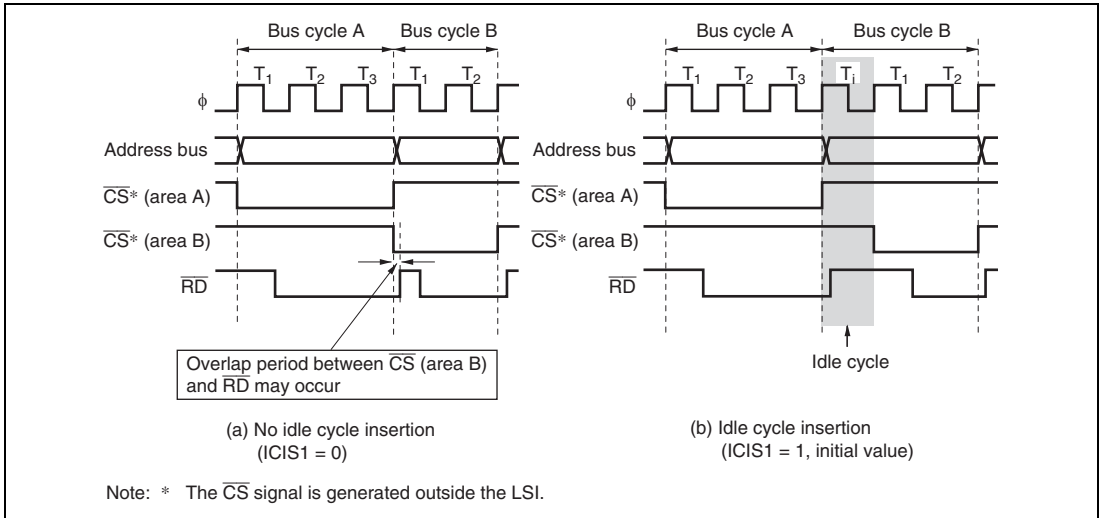
**Write after Read:** If an external write occurs after an external read while the ICIS0 bit is set to 1 in BCRH, an idle cycle is inserted at the start of the write cycle.

Figure 7.17 shows an example of the operation in this case. In this example, bus cycle A is a read cycle for ROM with a long output floating time, and bus cycle B is a CPU write cycle. In (a), an idle cycle is not inserted, and a collision occurs in bus cycle B between the data read from ROM and the CPU write data. In (b), an idle cycle is inserted, and a data collision is prevented.



**Figure 7.17 Example of Idle Cycle Operation (Write after Read)**

**Relationship between Chip Select ( $\overline{CS}$ ) Signal and Read ( $\overline{RD}$ ) Signal:** Depending on the system's load conditions, the  $\overline{RD}$  signal may lag behind the  $\overline{CS}$  signal (generated outside the LSI). An example is shown in figure 7.18. In this case, with the setting of no idle cycle insertion (a), there may be a period of overlap between the bus cycle A  $\overline{RD}$  signal and the bus cycle B  $\overline{CS}$  signal. Setting idle cycle insertion, as in (b), however, will prevent any overlap between the  $\overline{RD}$  and  $\overline{CS}$  signals. In the initial state after reset release, idle cycle insertion (b) is set.



**Figure 7.18 Relationship between Chip Select ( $\overline{CS}$ ) and Read ( $\overline{RD}$ )**

### 7.7.2 Pin States in Idle Cycle

Table 7.4 shows the pin states in an idle cycle.

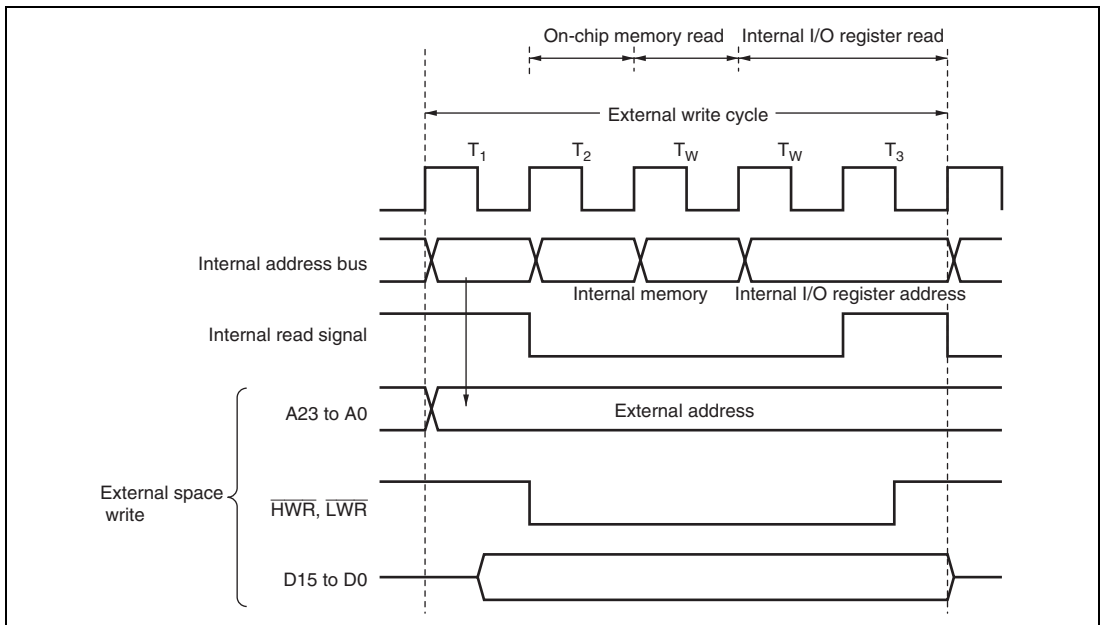
**Table 7.4 Pin States in Idle Cycle**

Pins	Pin State
A23 to A0	Contents of following bus cycle
D15 to D0	High impedance
$\overline{AS}$	High
$\overline{RD}$	High
$\overline{HWR}$ , $\overline{LWR}$	High

## 7.8 Write Data Buffer Function

This LSI has a write data buffer function for the external data bus. Using the write data buffer function enables external writes to be executed in parallel with internal accesses. The write data buffer function is made available by setting the WDBE bit to 1 in BCRL.

Figure 7.19 shows an example of the timing when the write data buffer function is used. When this function is used, if an external address space write continues for two states or longer, and there is an internal access next, an external write only is executed in the first state, but from the next state onward an internal access (on-chip memory or internal I/O register read/write) is executed in parallel with the external address space write rather than waiting until it ends.



**Figure 7.19 Example of Timing when Write Data Buffer Function is Used**

## 7.9 Bus Arbitration

This LSI has a bus arbiter that arbitrates bus mastership operations (bus arbitration).

There are two bus masters—the CPU and DTC—that perform read/write operations when they have the bus mastership. Each bus master requests the bus by means of a bus request signal. The bus arbiter determines priorities at the prescribed timing, and permits use of the bus by means of a bus request acknowledge signal. The selected bus master then takes the bus mastership and begins its operation.

### 7.9.1 Operation

The bus arbiter detects the bus masters' bus request signals, and if the bus is requested, sends a bus request acknowledge signal to the bus master. If there are bus requests from more than one bus master, the bus request acknowledge signal is sent to the one with the highest priority. When a bus master receives the bus request acknowledge signal, it takes the bus mastership until that signal is canceled.

The order of priority of the bus masterships is as follows:

(High) DTC > CPU (Low)

### 7.9.2 Bus Transfer Timing

Even if a bus request is received from a bus master with a higher priority than that of the bus master that has acquired the bus and is currently operating, the bus is not necessarily transferred immediately. There are specific timings at which each bus master can relinquish the bus.

**CPU:** The CPU is the lowest-priority bus master, and if a bus request is received from the DTC, the bus arbiter transfers the bus to the bus master that issued the request. The timing for transfer of the bus is as follows:

- The bus is transferred at a break between bus cycles. However, if a bus cycle is executed in discrete operations, as in the case of a longword-size access, the bus is not transferred between the component operations.
- With bit manipulation instructions such as BSET and BCRL, the sequence of operations is: data read (read), relevant bit manipulation operation (modify), write-back (write). The bus is not transferred during this read-modify-write cycle, which is executed as a series of bus cycles.
- If the CPU is in sleep mode, the bus is transferred immediately.

**DTC:** The DTC sends the bus arbiter a request for the bus when an activation request is generated.

The DTC can release the bus after a vector read, a register information read (3 states), a single data transfer, or a register information write (3 states). It does not release the bus during a register information read (3 states), a single data transfer, or a register information write (3 states).

## **7.10 Bus Controller Operation in Reset**

In a power-on reset, this LSI, including the bus controller, enters the reset state immediately, and any executing bus cycle is aborted.



## Section 8 Data Transfer Controller (DTC)

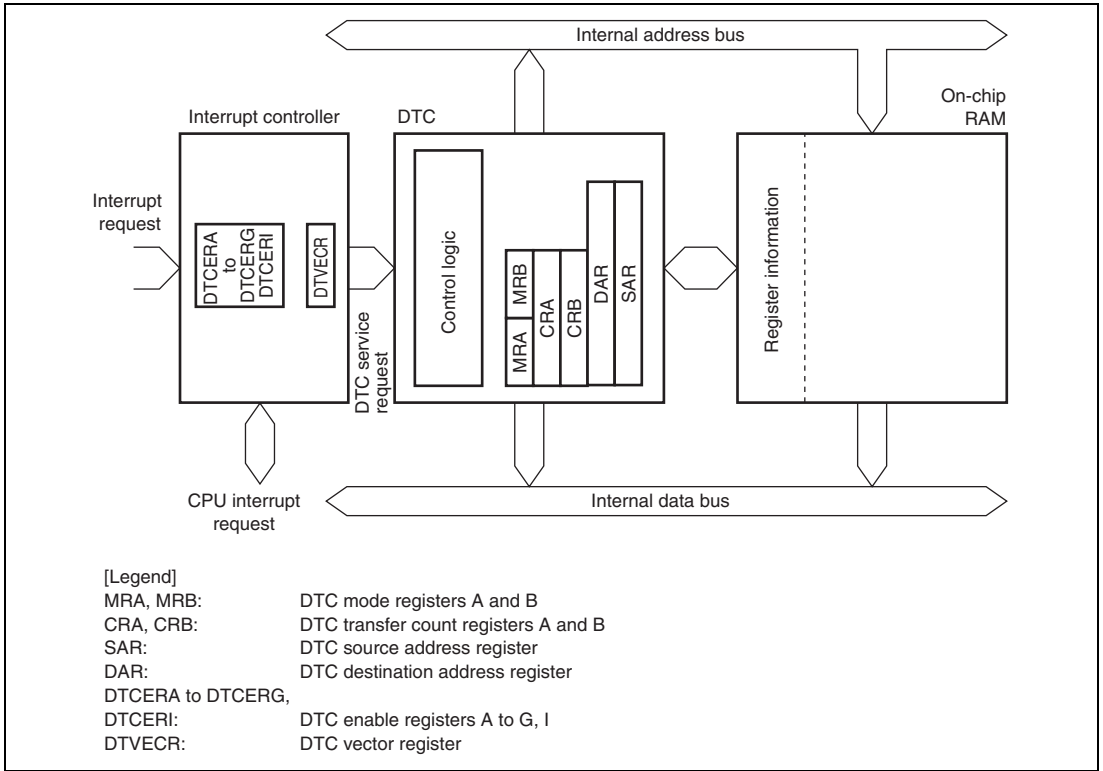
This LSI includes a data transfer controller (DTC). The DTC can be activated by an interrupt or software, to transfer data.

Figure 8.1 shows a block diagram of the DTC.

The DTC's register information is stored in the on-chip RAM. When the DTC is used, the RAME bit in SYSCR must be set to 1. A 32-bit bus connects the DTC to the on-chip RAM (1 kbyte), enabling 32-bit/1-state reading and writing of the DTC register information.

### 8.1 Features

- Transfer is possible over any number of channels
- Three transfer modes
  - Normal, repeat, and block transfer modes are available
- One activation source can trigger a number of data transfers (chain transfer)
- The direct specification of 16-Mbyte address space is possible
- Activation by software is possible
- Transfer can be set in byte or word units
- A CPU interrupt can be requested for the interrupt that activated the DTC
- Module stop mode can be set



**Figure 8.1 Block Diagram of DTC**



## 8.2 Register Descriptions

The DTC has the following registers.

- DTC mode register A (MRA)
- DTC mode register B (MRB)
- DTC source address register (SAR)
- DTC destination address register (DAR)
- DTC transfer count register A (CRA)
- DTC transfer count register B (CRB)

These six registers cannot be directly accessed from the CPU.

When activated, the DTC reads a set of register information that is stored in on-chip RAM to the corresponding DTC registers and transfers data. After the data transfer, it writes a set of updated register information back to the RAM.

- DTC enable registers A to G, and I (DTCERA to DTCERG, DTCERI)
- DTC vector register (DTVECR)

### 8.2.1 DTC Mode Register A (MRA)

MRA is an 8-bit register that selects the DTC operating mode.

Bit	Bit Name	Initial Value	R/W	Description
7	SM1	Undefined	—	Source Address Mode 1 and 0
6	SM0	Undefined	—	These bits specify an SAR operation after a data transfer. 0X: SAR is fixed 10: SAR is incremented after a transfer (by +1 when Sz = 0; by +2 when Sz = 1) 11: SAR is decremented after a transfer (by -1 when Sz = 0; by -2 when Sz = 1)
5	DM1	Undefined	—	Destination Address Mode 1 and 0
4	DM0	Undefined	—	These bits specify a DAR operation after a data transfer. 0X: DAR is fixed 10: DAR is incremented after a transfer (by +1 when Sz = 0; by +2 when Sz = 1) 11: DAR is decremented after a transfer (by -1 when Sz = 0; by -2 when Sz = 1)
3	MD1	Undefined	—	DTC Mode
2	MD0	Undefined	—	These bits specify the DTC transfer mode. 00: Normal mode 01: Repeat mode 10: Block transfer mode 11: Setting prohibited
1	DTS	Undefined	—	DTC Transfer Mode Select Specifies whether the source side or the destination side is set to be a repeat area or block area, in repeat mode or block transfer mode. 0: Destination side is repeat area or block area 1: Source side is repeat area or block area

Bit	Bit Name	Initial Value	R/W	Description
0	Sz	Undefined	—	DTC Data Transfer Size Specifies the size of data to be transferred. 0: Byte-size transfer 1: Word-size transfer

[Legend]

X: Don't care

### 8.2.2 DTC Mode Register B (MRB)

MRB is an 8-bit register that selects the DTC operating mode.

Bit	Bit Name	Initial Value	R/W	Description
7	CHNE	Undefined	—	DTC Chain Transfer Enable When this bit is set to 1, a chain transfer will be performed. For details, refer to 8.5.4, Chain Transfer. In data transfer with CHNE set to 1, determination of the end of the specified number of transfers, clearing of the interrupt source flag, and clearing of DTCER, are not performed.
6	DISEL	Undefined	—	DTC Interrupt Select When this bit is set to 1, a CPU interrupt request is generated every time after the end of a data transfer. When this bit is set to 0, a CPU interrupt request is generated at the time when the specified number of data transfer ends.
5 to 0	—	Undefined	—	Reserved These bits have no effect on DTC operation. Only 0 should be written to these bits.

### **8.2.3 DTC Source Address Register (SAR)**

SAR is a 24-bit register that designates the source address of data to be transferred by the DTC. For word-size transfer, specify an even source address.

### **8.2.4 DTC Destination Address Register (DAR)**

DAR is a 24-bit register that designates the destination address of data to be transferred by the DTC. For word-size transfer, specify an even destination address.

### **8.2.5 DTC Transfer Count Register A (CRA)**

CRA is a 16-bit register that designates the number of times data is to be transferred by the DTC.

In normal mode, the entire CRA functions as a 16-bit transfer counter (1 to 65536). It is decremented by 1 every time data is transferred, and transfer ends when the count reaches H'0000.

In repeat mode or block transfer mode, the CRA is divided into two parts; the upper 8 bits (CRAH) and the lower 8 bits (CRAL). CRAH holds the number of transfers while CRAL functions as an 8-bit transfer counter (1 to 256). CRAL is decremented by 1 every time data is transferred, and the contents of CRAH are sent when the count reaches H'00.

### **8.2.6 DTC Transfer Count Register B (CRB)**

CRB is a 16-bit register that designates the number of times data is to be transferred by the DTC in block transfer mode. It functions as a 16-bit transfer counter (1 to 65536) that is decremented by 1 every time data is transferred, and transfer ends when the count reaches H'0000.

### 8.2.7 DTC Enable Registers A to G, and I (DTCERA to DTCERG, and DTCERI)

DTCER is comprised of seven registers; DTCERA to DTCERG, and DTCERI, and is a register that specifies DTC activation interrupt sources. The correspondence between interrupt sources and DTCE bits is shown in table 8.1. For DTCE bit setting, use bit manipulation instructions such as BSET and BCLR for reading and writing. If all interrupts are masked, multiple activation sources can be set at one time (only at the initial setting) by writing data after executing a dummy read on the relevant register.

Bit	Bit Name	Initial Value	R/W	Description
7	DTCE7	0	R/W	DTC Activation Enable
6	DTCE6	0	R/W	Setting this bit to 1 specifies a relevant interrupt source as a DTC activation source.
5	DTCE5	0	R/W	[Clearing conditions]
4	DTCE4	0	R/W	
3	DTCE3	0	R/W	• When the DISEL bit in MRB is 1 and the data transfer has ended
2	DTCE2	0	R/W	• When the specified number of transfers have ended
1	DTCE1	0	R/W	
0	DTCE0	0	R/W	These bits are not cleared when the DISEL bit is 0 and the specified number of transfers have not been completed.

### 8.2.8 DTC Vector Registers A to G (DTVECRA to DTVECRG)

DTVECR is an 8-bit readable/writable register that enables or disables DTC activation by software, and sets a vector number for the software activation interrupt.

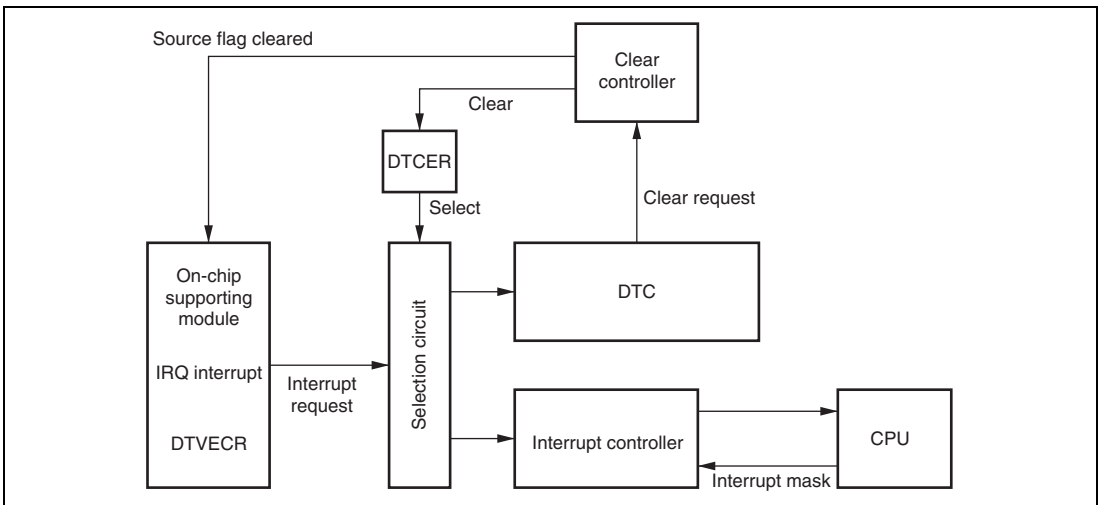
Bit	Bit Name	Initial Value	R/W	Description
7	SWDTE	0	R/W	<p>DTC Software Activation Enable</p> <p>Setting this bit to 1 activates DTC. Only 1 can be written to this bit.</p> <p>[Clearing conditions]</p> <ul style="list-style-type: none"> <li>• When the DISEL bit is 0 and the specified number of transfers have not ended</li> <li>• When 0 is written to the DISEL bit after a software-activated data transfer end interrupt (SWDTEND) request has been sent to the CPU.</li> </ul> <p>When the DISEL bit is 1 and data transfer has ended or when the specified number of transfers have ended, this bit will not be cleared.</p>
6	DTVEC6	0	R/W	DTC Software Activation Vectors 0 to 6
5	DTVEC5	0	R/W	These bits specify a vector number for DTC software activation.
4	DTVEC4	0	R/W	
3	DTVEC3	0	R/W	The vector address is expressed as H'0400 + (vector number × 2). For example, when DTVEC6 to DTVEC0 = H'10, the vector address is H'0420. When the bit SWDTE is 0, these bits can be written.
2	DTVEC2	0	R/W	
1	DTVEC1	0	R/W	
0	DTVEC0	0	R/W	

### 8.3 Activation Sources

The DTC operates when activated by an interrupt or by a write to DTVECR by software. An interrupt request can be directed to the CPU or DTC, as designated by the corresponding DTCER bit. At the end of a data transfer (or the last consecutive transfer in the case of chain transfer), the activation source or corresponding DTCER bit is cleared. The activation source flag, in the case of RXI\_0, for example, is the RDRF flag of SCI\_0.

When an interrupt has been designated a DTC activation source, the existing CPU mask level and interrupt controller priorities have no effect. If there is more than one activation source at the same time, the DTC operates in accordance with the default priorities.

Figure 8.2 shows a block diagram of DTC activation source control. For details, see section 5, Interrupt Controller.



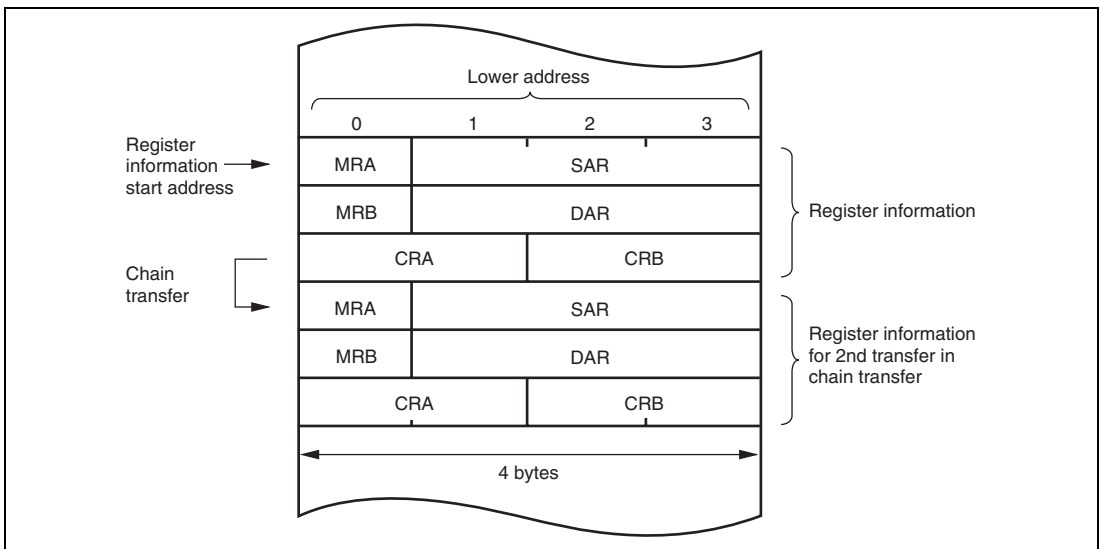
**Figure 8.2 Block Diagram of DTC Activation Source Control**

## 8.4 Location of Register Information and DTC Vector Table

Locate the register information in the on-chip RAM (addresses: H'FFFEBC0 to H'FFFEFBF). Register information should be located at an address that is a multiple of four within the range. Locating the register information in address space is shown in figure 8.3. Locate the MRA, SAR, MRB, DAR, CRA, and CRB registers, in that order, from the start address of the register information.

In the case of chain transfer, register information should be located in consecutive areas and the register information start address should be located at the vector address corresponding to the interrupt source as shown in figure 8.3. The DTC reads the start address of the register information from the vector address set for each activation source, and then reads the register information from that start address.

When the DTC is activated by software, the vector address is obtained from:  $H'0400 + (DTVECR[6:0] \times 2)$ . For example, if DTVECR is H'10, the vector address is H'0420. The configuration of the vector address is the same in both normal and advanced modes, a 2-byte unit being used in both cases. These two bytes specify the lower bits of the register information start address.



**Figure 8.3 Location of DTC Register Information in Address Space**



**Table 8.1 Interrupt Sources, DTC Vector Addresses, and Corresponding DTCEs**

Interrupt Source	Origin of Interrupt Source	Vector Number	DTC Vector Address	DTCE*	Priority
Software	Write to DTVECR	DTVECR	H'0400 + (vector number × 2)	—	High
External pin	IRQ0	16	H'0420	DTCEA7	↑ ↓
	IRQ1	17	H'0422	DTCEA6	
	IRQ2	18	H'0424	DTCEA5	
	IRQ3	19	H'0426	DTCEA4	
	IRQ4	20	H'0428	DTCEA3	
	IRQ5	21	H'042A	DTCEA2	
—	Reserved for system use	22	H'042C	DTCEA1	
		23	H'042E	DTCEA0	
A/D counter	ADI (A/D conversion end)	28	H'0438	DTCEB6	
TPU_0	TGIA_0	32	H'0440	DTCEB5	
	TGIB_0	33	H'0442	DTCEB4	
	TGIC_0	34	H'0444	DTCEB3	
	TGID_0	35	H'0446	DTCEB2	
TPU_1	TGIA_1	40	H'0450	DTCEB1	
	TGIB_1	41	H'0452	DTCEB0	
TPU_2	TGIA_2	44	H'0458	DTCEC7	
	TGIB_2	45	H'045A	DTCEC6	
TPU_3	TGIA_3	48	H'0460	DTCEC5	
	TGIB_3	49	H'0462	DTCEC4	
	TGIC_3	50	H'0464	DTCEC3	
	TGID_3	51	H'0466	DTCEC2	
TPU_4	TGIA_4	56	H'0470	DTCEC1	
	TGIB_4	57	H'0472	DTCEC0	
TPU_5	TGIA_5	60	H'0478	DTCED5	
	TGIB_5	61	H'047A	DTCED4	Low

<b>Interrupt Source</b>	<b>Origin of Interrupt Source</b>	<b>Vector Number</b>	<b>DTC Vector Address</b>	<b>DTCE*</b>	<b>Priority</b>
—	Reserved for system use	64	H'0480	DTCED3	High
		65	H'0482	DTCED2	
		68	H'0488	DTCED1	
		69	H'048A	DTCED0	
—	Reserved for system use	72	H'0490	DTCEE7	↑ ↓
		73	H'0492	DTCEE6	
		74	H'0494	DTCEE5	
		75	H'0496	DTCEE4	
SCI_0	RXI_0	81	H'04A2	DTCEE3	
	TXI_0	82	H'04A4	DTCEE2	
SCI_1	RXI_1	85	H'04A8	DTCEE1	
	TXI_1	86	H'04AA	DTCEE0	
SCI_2	RXI_2	89	H'04B2	DTCEF7	
	TXI_2	90	H'04B4	DTCEF6	
—	Reserved for system use	92	H'04B8	DTCEF5	
		93	H'04BA	DTCEF4	
—	Reserved for system use	96	H'04C0	DTCEF3	
		97	H'04C2	DTCEF2	
Motor control PWM	CMI1	104	H'04D0	DTCEG7	
	CMI2	105	H'04D2	DTCEG6	
Hcan_1	Reserved for system use	106	H'04D4	DTCEG5	
		RM0	107	H'04D6	DTCEG4
HCAN_0	Reserved for system use	108	H'04D8	DTCEG3	
		RM0	109	H'04DA	DTCEG2
SCI_4	RXI_4	125	H'04FA	DTCEI5	
	TXI_4	126	H'04FC	DTCEI4	Low

Note: \* DTCE bits with no corresponding interrupt are reserved, and the write value should always be 0.

## 8.5 Operation

Register information is stored in on-chip RAM. When activated, the DTC reads register information in on-chip RAM and transfers data. After the data transfer, the DTC writes updated register information back to the on-chip RAM.

The pre-storage of register information in the on-chip RAM makes it possible to transfer data over any required number of channels. The transfer mode can be specified as normal, repeat, and block transfer mode. Setting the CHNE bit in MRB to 1 makes it possible to perform a number of transfers with a single activation source (chain transfer).

The 24-bit SAR designates the DTC transfer source address, and the 24-bit DAR designates the transfer destination address. After each transfer, SAR and DAR are independently incremented, decremented, or left fixed depending on its register information.

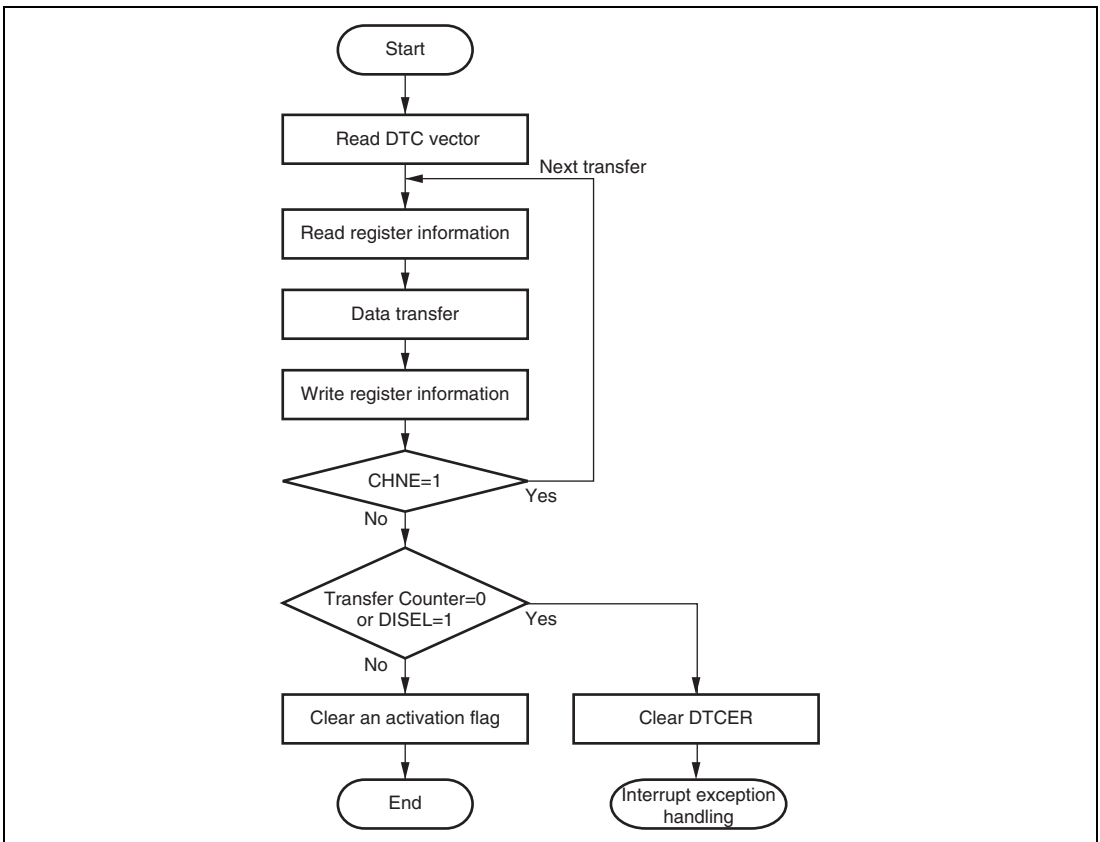


Figure 8.4 Flowchart of DTC Operation

### 8.5.1 Normal Mode

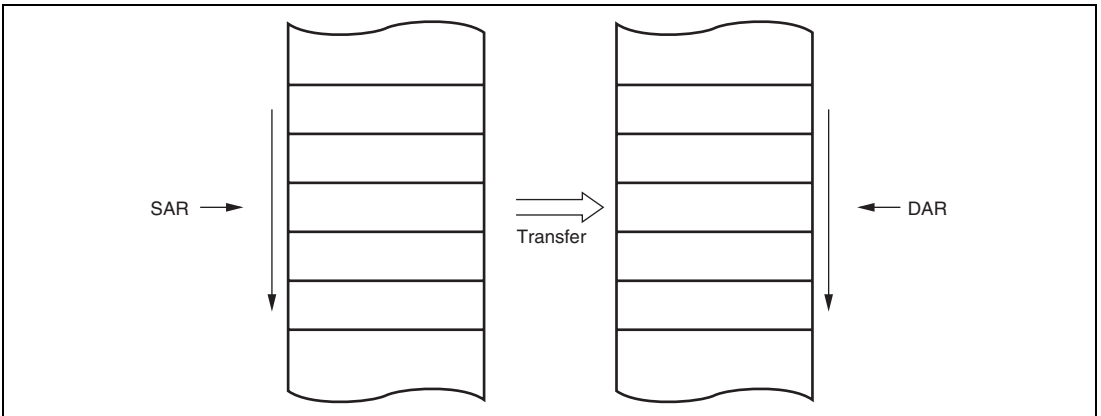
In normal mode, one operation transfers one byte or one word of data.

Table 8.2 lists the register information in normal mode.

From 1 to 65,536 transfers can be specified. Once the specified number of transfers have been completed, a CPU interrupt can be requested.

**Table 8.2 Register Information in Normal Mode**

Name	Abbreviation	Function
DTC source address register	SAR	Designates source address
DTC destination address register	DAR	Designates destination address
DTC transfer count register A	CRA	Designates transfer count
DTC transfer count register B	CRB	Not used



**Figure 8.5 Memory Mapping in Normal Mode**

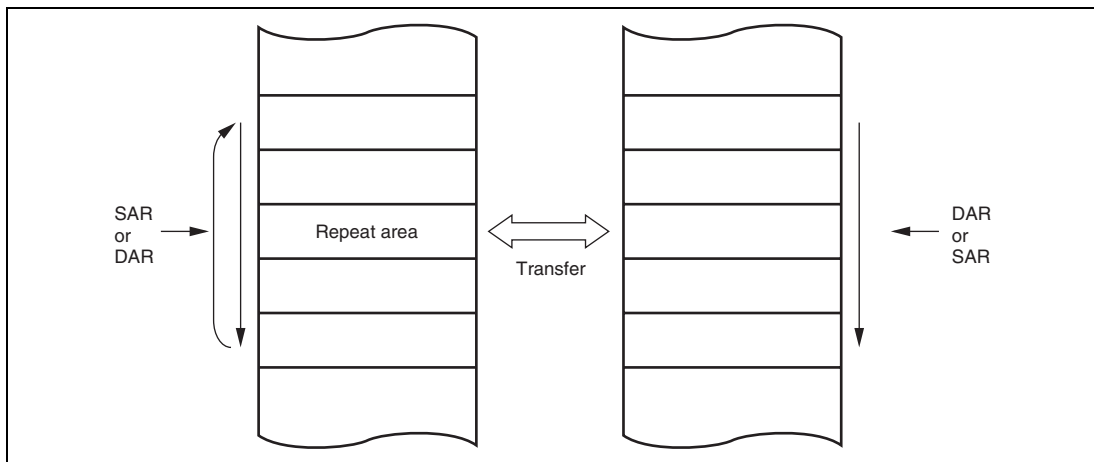
### 8.5.2 Repeat Mode

In repeat mode, one operation transfers one byte or one word of data. Table 8.3 lists the register information in repeat mode.

From 1 to 256 transfers can be specified. Once the specified number of transfers have ended, the initial state of the transfer counter and the address register specified as the repeat area is restored, and transfer is repeated. In repeat mode the transfer counter value does not reach H'00, and therefore CPU interrupts cannot be requested when DISEL = 0.

**Table 8.3 Register Information in Repeat Mode**

Name	Abbreviation	Function
DTC source address register	SAR	Designates source address
DTC destination address register	DAR	Designates destination address
DTC transfer count register AH	CRAH	Holds number of transfers
DTC transfer count register AL	CRAL	Designates transfer count
DTC transfer count register B	CRB	Not used



**Figure 8.6 Memory Mapping in Repeat Mode**

### 8.5.3 Block Transfer Mode

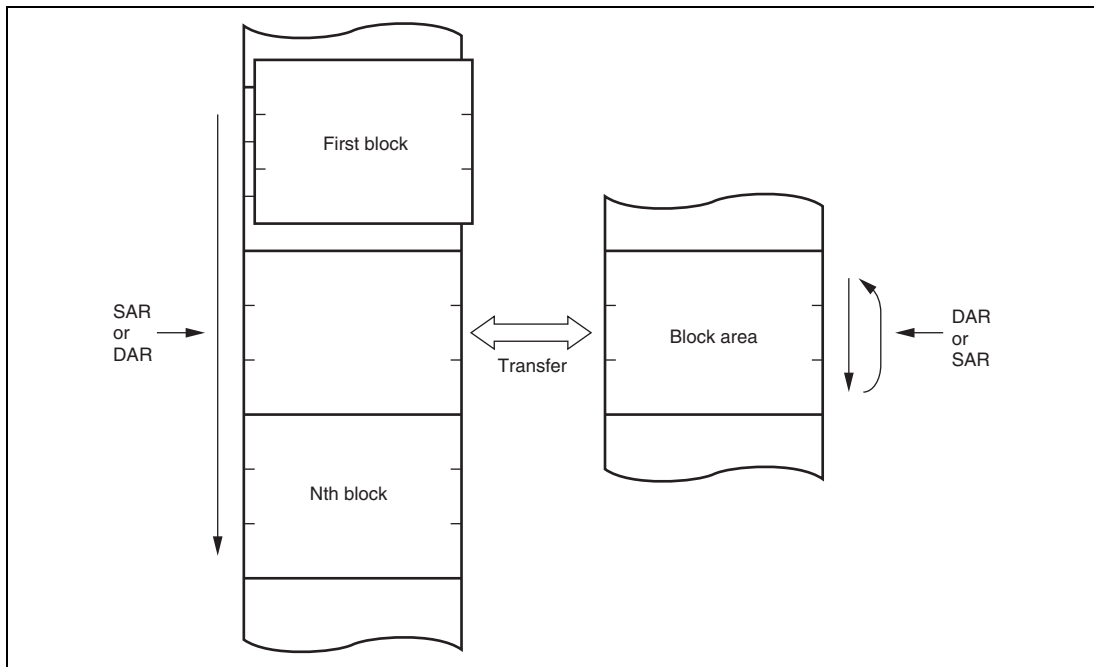
In block transfer mode, one operation transfers one block of data. Either the transfer source or the transfer destination is designated as a block area. Table 8.4 lists the register information in block transfer mode.

The block size can be between 1 and 256. When the transfer of one block ends, the initial state of the block size counter and the address register specified as the block area is restored. The other address register is then incremented, decremented, or left fixed.

From 1 to 65,536 transfers can be specified. Once the specified number of transfers have been completed, a CPU interrupt is requested.

**Table 8.4 Register Information in Block Transfer Mode**

<b>Name</b>	<b>Abbreviation</b>	<b>Function</b>
DTC source address register	SAR	Designates source address
DTC destination address register	DAR	Designates destination address
DTC transfer count register AH	CRAH	Holds block size
DTC transfer count register AL	CRAL	Designates block size count
DTC transfer count register B	CRB	Transfer count



**Figure 8.7 Memory Mapping in Block Transfer Mode**

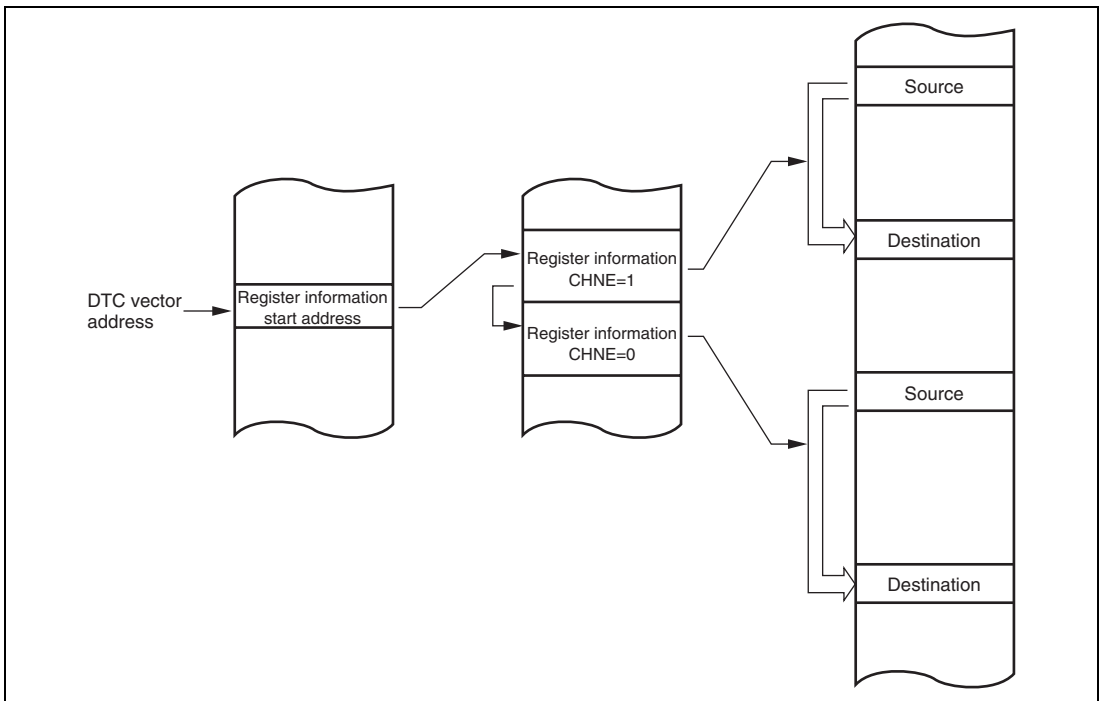
### 8.5.4 Chain Transfer

Setting the CHNE bit in MRB to 1 enables a number of data transfers to be performed consecutively in response to a single transfer request. SAR, DAR, CRA, CRB, MRA, and MRB, which define data transfers, can be set independently.

Figure 8.8 shows the outline of the chain transfer operation.

When activated, the DTC reads the register information start address stored at the vector address corresponding to the activation source, and then reads the first register information at that start address. After data transfer ends, the CHNE bit will be tested. When it has been set to 1, DTC reads the next register information located in a consecutive area and performs the data transfer. These sequences are repeated until the CHNE bit is cleared to 0.

In the case of transfer with CHNE set to 1, an interrupt request to the CPU is not generated at the end of the specified number of transfers or by setting of the DISEL bit to 1, and the interrupt source flag for the activation source is not affected.



**Figure 8.8 Chain Transfer Operation**



### 8.5.5 Interrupts

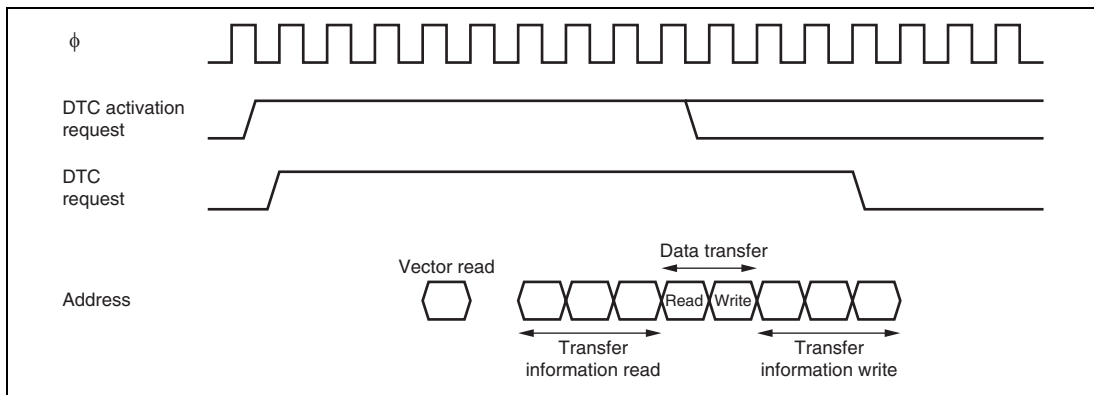
An interrupt request is issued to the CPU when the DTC has completed the specified number of data transfers, or a data transfer for which the DISEL bit was set to 1. In the case of interrupt activation, the interrupt set as the activation source is generated. These interrupts to the CPU are subject to CPU mask level and interrupt controller priority level control.

In the case of software activation, a software-activated data transfer end interrupt (SWDTEND) is generated.

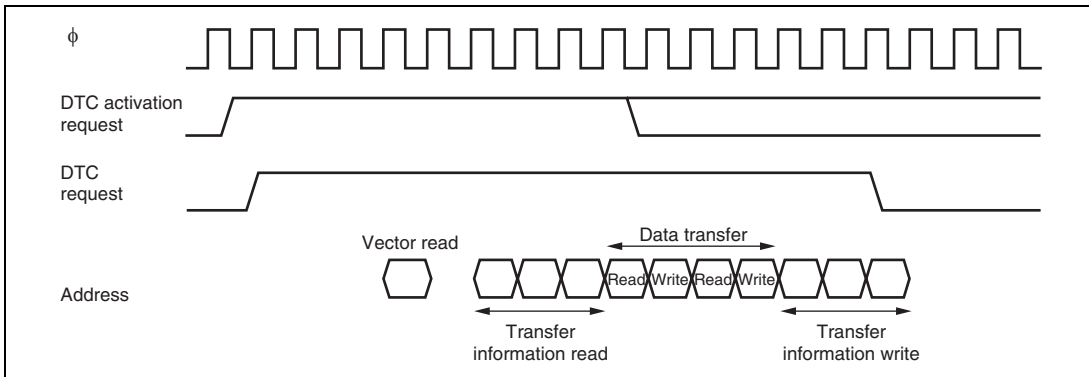
When the DISEL bit is 1 and one data transfer has been completed, or the specified number of transfers have been completed, after data transfer ends the SWDTE bit is held at 1 and an SWDTEND interrupt is generated. The interrupt handling routine will then clear the SWDTE bit to 0.

When the DTC is activated by software, an SWDTEND interrupt is not generated during a data transfer wait or during data transfer even if the SWDTE bit is set to 1.

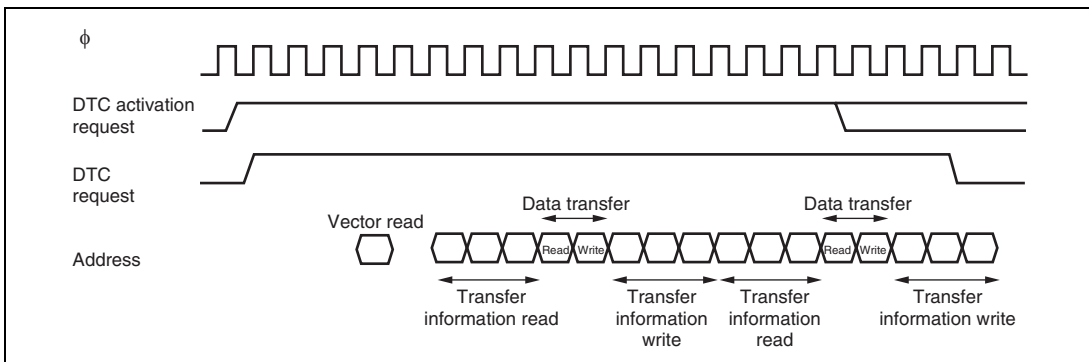
### 8.5.6 Operation Timing



**Figure 8.9 DTC Operation Timing (Example in Normal Mode or Repeat Mode)**



**Figure 8.10 DTC Operation Timing (Example of Block Transfer Mode, with Block Size of 2)**



**Figure 8.11 DTC Operation Timing (Example of Chain Transfer)**

### 8.5.7 Number of DTC Execution States

Table 8.5 lists execution status for a single DTC data transfer, and table 8.6 shows the number of states required for each execution status.

**Table 8.5 DTC Execution Status**

Mode	Vector Read	Register Information	Data Read	Data Write	Internal
	I	Read/Write J	K	L	Operations M
Normal	1	6	1	1	3
Repeat	1	6	1	1	3
Block transfer	1	6	N	N	3

[Legend]

N: Block size (initial setting of CRAH and CRAL)

**Table 8.6 Number of States Required for Each Execution Status**

Object to be Accessed		On-Chip	On-Chip	On-Chip I/O		External Devices*			
		RAM	ROM	Registers					
Bus width		32	16	8	16	8		16	
Access states		1	1	2	2	2	3	2	3
Execution status	Vector read $S_I$	—	1	—	—	4	6+2m	2	3+m
	Register information read/write $S_J$	1	—	—	—	—	—	—	—
	Byte data read $S_K$	1	1	2	2	2	3+m	2	3+m
	Word data read $S_K$	1	1	4	2	4	6+2m	2	3+m
	Byte data write $S_L$	1	1	2	2	2	3+m	2	3+m
	Word data write $S_L$	1	1	4	2	4	6+2m	2	3+m
Internal operation $S_M$		1							

Note: \* Not available in this LSI.

The number of execution states is calculated from using the formula below. Note that  $\Sigma$  is the sum of all transfers activated by one activation source (the number in which the CHNE bit is set to 1, plus 1).

$$\text{Number of execution states} = I \cdot (1 + S_I) + \Sigma (J \cdot S_J + K \cdot S_K + L \cdot S_L) + M \cdot S_M$$

For example, when the DTC vector address table is located in the on-chip ROM, normal mode is set, and data is transferred from on-chip ROM to an internal I/O register, then the time required for the DTC operation is 13 states. The time from activation to the end of the data write is 10 states.

## 8.6 Procedures for Using DTC

### 8.6.1 Activation by Interrupt

The procedure for using the DTC with interrupt activation is as follows:

1. Set the MRA, MRB, SAR, DAR, CRA, and CRB register information in on-chip RAM.
2. Set the start address of the register information in the DTC vector address.
3. Set the corresponding bit in DTCE to 1.
4. Set the enable bits for the interrupt sources to be used as the activation sources to 1. The DTC is activated when an interrupt used as an activation source is generated.
5. After one data transfer has been completed, or after the specified number of data transfers have been completed, the DTCE bit is cleared to 0 and a CPU interrupt is requested. If the DTC is to continue transferring data, set the DTCE bit to 1.

### 8.6.2 Activation by Software

The procedure for using the DTC with software activation is as follows:

1. Set the MRA, MRB, SAR, DAR, CRA, and CRB register information in on-chip RAM.
2. Set the start address of the register information in the DTC vector address.
3. Check that the SWDTE bit is 0.
4. Write 1 to SWDTE bit and the vector number to DTVECR.
5. Check the vector number written to DTVECR.
6. After one data transfer has been completed, if the DISEL bit is 0 and a CPU interrupt is not requested, the SWDTE bit is cleared to 0. If the DTC is to continue transferring data, set the SWDTE bit to 1. When the DISEL bit is 1, or after the specified number of data transfers have been completed, the SWDTE bit is held at 1 and a CPU interrupt is requested.

## 8.7 Examples of Use of the DTC

### 8.7.1 Normal Mode

An example is shown in which the DTC is used to receive 128 bytes of data via the SCI.

1. Set MRA to a fixed source address ( $SM1 = SM0 = 0$ ), incrementing destination address ( $DM1 = 1$ ,  $DM0 = 0$ ), normal mode ( $MD1 = MD0 = 0$ ), and byte size ( $Sz = 0$ ). The DTS bit can have any value. Set MRB for one data transfer by one interrupt ( $CHNE = 0$ ,  $DISEL = 0$ ). Set the SCI RDR address in SAR, the start address of the RAM area where data will be received in DAR, and 128 (H'0080) in CRA. CRB can be set to any value.
2. Set the start address of the register information at the DTC vector address.
3. Set the corresponding bit in DTCER to 1.
4. Set the SCI to the appropriate receive mode. Set the RIE bit in SCR to 1 to enable the reception complete (RXI) interrupt. Since the generation of a receive error during the SCI reception operation will disable subsequent reception, the CPU should be enabled to accept receive error interrupts.
5. Each time the reception of one byte of data has been completed on the SCI, the RDRF flag in SSR is set to 1, an RXI interrupt is generated, and the DTC is activated. The receive data is transferred from RDR to RAM by the DTC. DAR is incremented and CRA is decremented. The RDRF flag is automatically cleared to 0.
6. When CRA becomes 0 after the 128 data transfers have been completed, the RDRF flag is held at 1, the DTCE bit is cleared to 0, and an RXI interrupt request is sent to the CPU. The interrupt handling routine will perform wrap-up processing.

### 8.7.2 Chain Transfer

An example of DTC chain transfer is shown in which pulse output is performed using the PPG. Chain transfer can be used to perform pulse output data transfer and PPG output trigger cycle updating. Repeat mode transfer to the PPG's NDR is performed in the first half of the chain transfer, and normal mode transfer to the TPU's TGR in the second half. This is because clearing of the activation source and interrupt generation at the end of the specified number of transfers are restricted to the second half of the chain transfer (transfer when CHNE = 0).

1. Perform settings for transfer to the PPG's NDR. Set MRA to incrementing source address (SM1 = 1, SM0 = 0), a fixed destination address (DM1 = DM0 = 0), repeat mode (MD1 = 0, MD0 = 1), and word size (Sz = 1). Set the source side as a repeat area (DTS = 1). Set MRB to chain mode (CHNE = 1, DIESEL = 0). Set the data table start address in SAR, the NDRH address in DAR, and the data table size in CRAH and CRAL. CRB can be set to any value.
2. Perform settings for transfer to the TPU's TGR. Set MRA to incrementing source address (SM1 = 1, SM0 = 0), a fixed destination address (DM1 = DM0 = 0), normal mode (MD1 = MD0 = 0), and word size (Sz = 1). Set the data table start address in SAR, the TGRA address in DAR, and the data table size in CRA. CRB can be set to any value.
3. Locate the TPU transfer register information consecutively after the NDR transfer register information.
4. Set the start address of the NDR transfer register information to the DTC vector address.
5. Set the bit corresponding to TGIA in DTCER to 1.
6. Set TGRA as an output compare register (output disabled) with TIOR, and enable the TGIA interrupt with TIER.
7. Set the initial output value in PODR, and the next output value in NDR. Set bits in DDR and NDER for which output is to be performed to 1. Using PCR, select the TPU compare match to be used as the output trigger.
8. Set the CST bit in TSTR to 1, and start the TCNT count operation.
9. Each time a TGRA compare match occurs, the next output value is transferred to NDR and the set value of the next output trigger period is transferred to TGRA. The activation source TGFA flag is cleared.
10. When the specified number of transfers are completed (the TPU transfer CRA value is 0), the TGFA flag is held at 1, the DTCE bit is cleared to 0, and a TGIA interrupt request is sent to the CPU. Termination processing should be performed in the interrupt handling routine.

### 8.7.3 Software Activation

An example is shown in which the DTC is used to transfer a block of 128 bytes of data by means of software activation. The transfer source address is H'1000 and the destination address is H'2000. The vector number is H'60, so the vector address is H'04C0.

1. Set MRA to incrementing source address (SM1 = 1, SM0 = 0), incrementing destination address (DM1 = 1, DM0 = 0), block transfer mode (MD1 = 1, MD0 = 0), and byte size (Sz = 0). The DTS bit can have any value. Set MRB for one block transfer by one interrupt (CHNE = 0). Set the transfer source address (H'1000) in SAR, the destination address (H'2000) in DAR, and 128 (H'8080) in CRA. Set 1 (H'0001) in CRB.
2. Set the start address of the register information at the DTC vector address (H'04C0).
3. Check that the SWDTE bit in DTVECR is 0. Check that there is currently no transfer activated by software.
4. Write 1 to the SWDTE bit and the vector number (H'60) to DTVECR. The write data is H'E0.
5. Read DTVECR again and check that it is set to the vector number (H'60). If it is not, this indicates that the write failed. This is presumably because an interrupt occurred between steps 3 and 4 and led to a different software activation. To activate this transfer, go back to step 3.
6. If the write was successful, the DTC is activated and a block of 128 bytes of data is transferred.
7. After the transfer, an SWDTEND interrupt occurs. The interrupt handling routine should clear the SWDTE bit to 0 and perform other wrap-up processing.

## **8.8 Usage Notes**

### **8.8.1 Module Stop Mode Setting**

DTC operation can be disabled or enabled using the module stop control register. The initial setting is for DTC operation to be enabled. Register access is disabled by setting module stop mode. Note that module stop mode cannot be set during DTC being activated. For details, refer to section 21, Power-Down Modes.

### **8.8.2 On-Chip RAM**

The MRA, MRB, SAR, DAR, CRA, and CRB registers are all located in on-chip RAM. When the DTC is used, the RAME bit in SYSCR must not be cleared to 0.

### **8.8.3 DTCE Bit Setting**

For DTCE bit setting, use bit manipulation instructions such as BSET and BCLR. If all interrupts are masked, multiple activation sources can be set at one time (only at the initial setting) by writing data after executing a dummy read on the relevant register.



---

## Section 9 I/O Ports

This LSI has 13 I/O ports (ports 1 to 3, 5, A to F, H, J, and K), and two input-only port (ports 4 and 9).

Table 9.1 shows the port functions. The pins of each port also have other functions.

Each I/O port includes a data direction register (DDR) that controls input/output, a data register (DR) that stores output data, and a port register (PORT) used to read the pin states. The input-only ports do not have a DR or DDR register.

Ports A to E have a built-in pull-up MOS function, and in addition to DR and DDR, have a MOS input pull-up control register (PCR) to control the on/off state of MOS input pull-up.

Ports 3, and A to C include an open-drain control register (ODR) that controls the on/off state of the output buffer PMOS.

When ports A to F are used as the output pins for expanded bus control signals, they can drive one TTL load plus a 50pF capacitance load. Ports other than A to F can drive one TTL load and a 30pF capacitance load. All I/O ports can drive Darlington transistors when set to output. Ports 1 and A to C can drive a LED (10 mA sink current), and some of the pins in ports B, C, and E and A, D, and F can be used as LCD driver pins.

Port 1 pins P16 and P14 are Schmitt-trigger inputs.

**Table 9.1 Port Functions**

Port	Description	Mode 4	Mode 5	Mode 6	Mode 7	Input/Output Type
Port 1	General I/O port also functioning as TPU I/O pins, PPG output pins, and interrupt input pins	P17/PO15/TIOCB2/TCLKD P16/PO14/TIOCA2/ $\overline{\text{IRQ1}}$ P15/PO13/TIOCB1/TCLKC P14/PO12/TIOCA1/ $\overline{\text{IRQ0}}$ P13/PO11/TIOCD0/TCLKB P12/PO10/TIOCC0/TCLKA P11/PO9/TIOCB0 P10/PO8/TIOCA0				
Port 2	General I/O port also functioning as TPU I/O pins	P27/TIOCB5 P26/TIOCA5 P25/TIOCB4 P24/TIOCA4 P23/TIOCD3 P22/TIOCC3 P21/TIOCB3 P20/TIOCA3				
Port 3	General I/O port also functioning as SCI I/O pins and interrupt input pins	P37/TxD4 P36/RxD4 P35/SCK1/SCK4/ $\overline{\text{IRQ5}}$ P34/RxD1 P33/TxD1 P32/SCK0/ $\overline{\text{IRQ4}}$ P31/RxD0 P30/TxD0				Open-drain output

Port	Description	Mode 4	Mode 5	Mode 6	Mode 7	Input/Output Type
Port 4	General input port also functioning as analog input pins	P47/AN7				
		P46/AN6				
		P45/AN5				
		P44/AN4				
		P43/AN3				
		P42/AN2				
		P41/AN1				
P40/AN0						
Port 5	General I/O port also functioning as SCI I/O pins	P52/SCK2				
		P51/RxD2				
		P50/TxD2				
Port 9	General input port also functioning as analog input pins	P97/AN15				
		P96/AN14				
		P95/AN13				
		P94/AN12				
		P93/AN11				
		P92/AN10				
		P91/AN9				
P90/AN8						
Port A	General I/O port also functioning as LCD segment output pins, common output pins, and address output pins	PA7/A23/SEG40			PA7/SEG40	Built-in pull-up MOS Open-drain output
		PA6/A22/SEG39			PA6/SEG39	
		PA5/A21/SEG38			PA5/SEG38	
		PA4/A20/SEG37			PA4/SEG37	
		PA3/A19/COM4			PA3/COM4	
		PA2/A18/COM3			PA2/COM3	
		PA1/A17/COM2			PA1/COM2	
PA0/A16/COM1			PA0/COM1			

Port	Description	Mode 4	Mode 5	Mode 6	Mode 7	Input/Output Type
Port B	General I/O port also functioning as LCD segment output pins, address output pins	PB7/A15/SEG32			PB7/SEG32	
		PB6/A14/SEG31			PB6/SEG31	
		PB5/A13/SEG30			PB5/SEG30	
		PB4/A12/SEG29			PB4/SEG29	
		PB3/A11/SEG28			PB3/SEG28	
		PB2/A10/SEG27			PB2/SEG27	
		PB1/A9/SEG26			PB1/SEG26	
		PB0/A8/SEG25			PB0/SEG25	
Port C	General I/O port also functioning as LCD segment output pins and address output pins	PC7/A7		PC7/A7/SEG24	PC7/SEG24	
		PC7/A6		PC6/A6/SEG23	PC6/SEG23	
		PC7/A5		PC5/A5/SEG22	PC5/SEG22	
		PC7/A4		PC4/A4/SEG21	PC4/SEG21	
		PC7/A3		PC3/A3/SEG20	PC3/SEG20	
		PC7/A2		PC2/A2/SEG19	PC2/SEG19	
		PC7/A1		PC1/A1/SEG18	PC1/SEG18	
		PC7/A0		PC0/A0/SEG17	PC0/SEG17	
Port D	General I/O port also functioning as LCD segment output pins and data I/O pins	D15		D15/SEG16	PD7/SEG16	Built-in pull-up MOS
		D14		D14/SEG15	PD6/SEG15	
		D13		D13/SEG14	PD5/SEG14	
		D12		D12/SEG13	PD4/SEG13	
		D11		D11/SEG12	PD3/SEG12	
		D10		D10/SEG11	PD2/SEG11	
		D9		D9/SEG10	PD1/SEG10	
		D8		D8/SEG9	PD0/SEG9	
Port E	General I/O port also functioning as LCD segment output pins and data I/O pins	PE7/D7/SEG8			PE7/SEG8	Built-in pull-up MOS
		PE6/D6/SEG7			PE6/SEG7	
		PE5/D5/SEG6			PE5/SEG6	
		PE4/D4/SEG5			PE4/SEG5	
		PE3/D3/SEG4			PE3/SEG4	
		PE2/D2/SEG3			PE2/SEG3	
		PE1/D1/SEG2			PE1/SEG2	
		PE0/D0/SEG1		PE0/SEG1		

Port	Description	Mode 4	Mode 5	Mode 6	Mode 7	Input/Output Type
Port F	General I/O port also functioning as $\phi$ output pin, bus control I/O pins, LCD segment output pins, and interrupt input pins	PF7/ $\phi$			PF7/ $\phi$	
		PF6/ $\overline{AS}$ /SEG36			PF6/SEG36	
		PF5/ $\overline{RD}$ /SEG35			PF5/SEG35	
		PF4/ $\overline{HWR}$ /SEG34			PF4/SEG34	
		PF3/ $\overline{LWR}$ / $\overline{ADTRG}$ / $\overline{IRQ3}$			PF3/ $\overline{ADTRG}$ / $\overline{IRQ3}$	
		PF2/ $\overline{WAIT}$ /SEG33			PF2/SEG33	
		PF0/ $\overline{IRQ2}$			PF0/ $\overline{IRQ2}$	
Port H	General I/O port also functioning as PWM output pins	PH7/PWM1H				
		PH6/PWM1G				
		PH5/PWM1F				
		PH4/PWM1E				
		PH3/PWM1D				
		PH2/PWM1C				
		PH1/PWM1B				
		PH0/PWM1A				
Port J	General I/O port also functioning as PWM output pins	PJ7/PWM2H				
		PJ6/PWM2G				
		PJ5/PWM2F				
		PJ4/PWM2E				
		PJ3/PWM2D				
		PJ2/PWM2C				
		PJ1/PWM2B				
		PJ0/PWM2A				
Port K	General I/O port also functioning as HCAN I/O pins	PK7/HRxD1				
		PK6/HTxD1				

## 9.1 Port 1

Port 1 is an 8-bit I/O port. Port 1 pins also function as PPG output pins, TPU I/O pins, and external interrupt pins.

- Port 1 data direction register (P1DDR)
- Port 1 data register (P1DR)
- Port 1 register (PORT1)

### 9.1.1 Port 1 Data Direction Register (P1DDR)

P1DDR is a write-only register, the individual bits of which specify input or output for the pins of port 1. P1DDR cannot be read; if it is, an undefined value will be read.

Bit	Bit Name	Initial Value	R/W	Description
7	P17DDR	0	W	Setting a P1DDR bit to 1 makes the corresponding port 1 pin an output pin, while clearing the bit to 0 makes the pin an input pin.
6	P16DDR	0	W	
5	P15DDR	0	W	
4	P14DDR	0	W	
3	P13DDR	0	W	
2	P12DDR	0	W	
1	P11DDR	0	W	
0	P10DDR	0	W	

### 9.1.2 Port 1 Data Register (P1DR)

P1DR stores output data for the port 1 pins.

Bit	Bit Name	Initial Value	R/W	Description
7	P17DR	0	R/W	An output data for a pin is stored when the pin function is specified to a general purpose output port.
6	P16DR	0	R/W	
5	P15DR	0	R/W	
4	P14DR	0	R/W	
3	P13DR	0	R/W	
2	P12DR	0	R/W	
1	P11DR	0	R/W	
0	P10DR	0	R/W	

### 9.1.3 Port 1 Register (PORT1)

PORT1 shows the pin states. It cannot be modified.

Bit	Bit Name	Initial Value	R/W	Description
7	P17	—*	R	If this register read is performed while P1DDR bits are set to 1, the P1DR values are read. If this register read is performed while P1DDR bits are cleared to 0, the pin states are read.
6	P16	—*	R	
5	P15	—*	R	
4	P14	—*	R	
3	P13	—*	R	
2	P12	—*	R	
1	P11	—*	R	
0	P10	—*	R	

Note: \* Determined by state of pins P17 to P10.

### 9.1.4 Pin Functions

The correspondence between the register specification and the pin functions is shown below.

- P17/PO15/TIOCB2/TCLKD

The pin function is switched as shown below according to the combination of the TPU channel 2 setting (by bits MD3 to MD0 in TMDR\_2, bits IOB3 to IOB0 in TIOR\_2, and bits CCLR1 and CCLR0 in TCR\_2), bits TPSC2 to TPSC0 in TCR\_0 and TCR\_5, bit NDER15 in NDERH, and bit P17DDR.

TPU channel 2 setting	Table below (1)	Table below (2)		
		P17DDR	—	0
NDER15	—	—	0	1
Pin function	TIOCB2 output	P17 input	P17 output	PO15 output
		TIOCB2 input * <sup>1</sup>		
	TCLKD input * <sup>2</sup>			

TPU channel 2 setting	(2)	(1)	(2)	(2)	(1)	(2)
MD3 to MD0	B'0000, B'0010		B'0010	B'0010		
IOB3 to IOB0	B'0000 B'0100 B'1xxx	B'0001 to B'0011 B'0101 to B'0111	—	B'xx10	Other than B'xx10	
CCLR1, CCLR0	—	—	—	—	Other than B'10	B'10
Output function	—	Output compare output	—	—	PWM mode 2 output	—

[Legend]

x: Don't care

- Notes:
1. TIOCB2 input when MD3 to MD0 = B'0000 or B'01xx, and IOB3 = 1.
  2. TCLKD input when the setting for either TCR\_0 or TCR\_5 is: TPSC2 to TPSC0 = B'111.  
TCLKD input when channels 2 and 4 are set to phase counting mode.



- P16/PO14/TIOCA2/ $\overline{\text{IRQ1}}$

The pin function is switched as shown below according to the combination of the TPU channel 2 setting (by bits MD3 to MD0 in TMDR\_2, bits IOA3 to IOA0 in TIOR\_2, and bits CCLR1 and CCLR0 in TCR\_2), bit NDER14 in NDERH, and bit P16DDR.

TPU channel 2 setting	Table below (1)	Table below (2)		
P16DDR	—	0	1	1
NDER14	—	—	0	1
Pin function	TIOCA2 output	P16 input	P16 output	PO14 output
		TIOCB2 input *1		
	$\overline{\text{IRQ1}}$ input			

TPU channel 2 setting	(2)	(1)	(2)	(1)	(1)	(2)
MD3 to MD0	B'0000, B'01xx		B'001x	B'0010	B'0011	
IOA3 to IOA0	B'0000 B'0100 B'1xxx	B'0001 to B'0011 B'0101 to B'0111	B'xx00	Other than B'xx00	Other than B'xx00	
CCLR1, CCLR0	—	—	—	—	Other than B'01	B'01
Output function	—	Output compare output	—	PWM mode 1 output *2	PWM mode 2 output	—

[Legend]

x: Don't care

Notes: 1. TIOCA2 input when MD3 to MD0 = B'0000 or B'01xx, and IOA3 = 1.

2. TIOCB2 output is disabled.

- P15/PO13/TIOCB1/TCLKC

The pin function is switched as shown below according to the combination of the TPU channel 1 setting (by bits MD3 to MD0 in TMDR\_1, bits IOB3 to IOB0 in TIOR\_1, and bits CCLR1 and CCLR0 in TCR\_1), bits TPSC2 to TPSC0 in TCR\_0, TCR\_2, TCR\_4, and TCR\_5, bit NDER13 in NDERH, and bit P15DDR.

TPU channel 1 setting	Table below (1)	Table below (2)		
		P15DDR	—	0
NDER13	—	—	0	1
Pin function	TIOCB1 output	P15 input	P15 output	PO13 output
		TIOCB1 input * <sup>1</sup>		
	TCLKC input * <sup>2</sup>			

TPU channel 1 setting	(2)	(1)	(2)	(2)	(1)	(2)
MD3 to MD0	B'0000, B'01xx		B'0010	B'0011		
IOB3 to IOB0	B'0000 B'0100 B'1xxx	B'0001 to B'0011 B'0101 to B'0111	—	B'xx00	Other than B'xx00	
CCLR1, CCLR0	—	—	—	—	Other than B'10	B'10
Output function	—	Output compare output	—	—	PWM mode 2 output	—

[Legend]

x: Don't care

- Notes: 1. TIOCB1 input when MD3 to MD0 = B'0000 or B'01xx, and IOB3 to IOB0 = B'10xx.  
 2. TCLKC input when the setting for either TCR\_0 or TCR\_2 is: TPSC2 to TPSC0 = B'110; or when the setting for either TCR\_4 or TCR\_5 is TPSC2 to TPSC0 = B'101.  
 TCLKC input when channels 2 and 4 are set to phase counting mode.

- P14/PO12/TIOCA1/ $\overline{\text{IRQ0}}$

The pin function is switched as shown below according to the combination of the TPU channel 1 setting (by bits MD3 to MD0 in TMDR\_1, bits IOA3 to IOA0 in TIOR\_1, and bits CCLR1 and CCLR0 in TCR\_1), bit NDER12 in NDERH, and bit P14DDR.

TPU channel 1 setting	Table below (1)	Table below (2)		
		P14DDR	—	0
NDER12	—	—	0	1
Pin function	TIOCA1 output	P14 input	P14 output	PO12 output
		TIOCA1 input *1		
	$\overline{\text{IRQ0}}$ input			

TPU channel 1 setting	(2)	(1)	(2)	(1)	(1)	(2)
MD3 to MD0	B'0000, B'01xx		B'001x	B'0010	B'0011	
IOA3 to IOA0	B'0000 B'0100 B'1xxx	B'0001 to B'0011 B'0101 to B'0111	B'xx00	Other than B'xx00	Other than B'xx00	
CCLR1, CCLR0	—	—	—	—	Other than B'01	B'01
Output function	—	Output compare output	—	PWM mode 1 output*2	PWM mode 2 output	—

[Legend]

x: Don't care

Notes: 1. TIOCA1 input when MD3 to MD0 = B'0000 or B'01xx, and IOA3 to IOA0 = B'10xx.

2. TIOCB1 output is disabled.

- P13/PO11/TIOCD0/TCLKB

The pin function is switched as shown below according to the combination of the TPU channel 0 setting (by bits MD3 to MD0 in TMDR\_0, bits IOD3 to IOD0 in TIORL\_0, and bits CCLR2 to CCLR0 in TCR0), bits TPSC2 to TPSC0 in TCR\_0 to TCR\_2, bit NDER11 in NDERH, and bit P13DDR.

TPU channel 0 setting	Table below (1)	Table below (2)		
		P13DDR	—	0
NDER11	—	—	0	1
Pin function	TIOCD0 output	P13 input	P13 output	PO11 output
		TIOCD0 input * <sup>1</sup>		
	TCLKB input * <sup>2</sup>			

TPU channel 0 setting	(2)	(1)	(2)	(2)	(1)	(2)
MD3 to MD0	B'0000, B'01xx		B'0010	B'0011		
IOD3 to IOD0	B'0000 B'0100 B'1xxx	B'0001 to B'0011 B'0101 to B'0111	—	B'xx00	Other than B'xx00	
CCLR2 to CCLR0	—	—	—	—	Other than B'110	B'110
Output function	—	Output compare output	—	—	PWM mode 2 output	—

[Legend]

x: Don't care

- Notes: 1. TIOCD0 input when MD3 to MD0 = B'0000, and IOD3 to IOD0 = B'10xx.  
 2. TCLKB input when the setting for TCR\_0 to TCR\_2 is: TPSC2 to TPSC0 = B'101.  
 TCLKB input when channels 1 and 5 are set to phase counting mode.

- P12/PO10/TIOCC0/TCLKA

The pin function is switched as shown below according to the combination of the TPU channel 0 setting (by bits MD3 to MD0 in TMDR0, bits IOC3 to IOC0 in TIORL\_0, and bits CCLR2 to CCLR0 in TCR\_0), bits TPSC2 to TPSC0 in TCR\_0 to TCR\_5, bit NDER10 in NDERH, and bit P12DDR.

TPU channel 0 setting	Table below (1)	Table below (2)		
		0	1	1
P12DDR	—	0	1	1
NDER10	—	—	0	1
Pin function	TIOCC0 output	P12 input	P12 output	PO10 output
		TIOCC0 input *1		
	TCLKA input *2			

TPU channel0 setting	(2)	(1)	(2)	(1)	(1)	(2)
MD3 to MD0	B'0000, B'01xx		B'001x	B'0010	B'0011	
IOC3 to IOC0	B'0000 B'0100 B'1xxx	B'0001 to B'0011 B'0101 to B'0111	B'xx00	Other than B'xx00	Other than B'xx00	
CCLR2 to CCLR0	—	—	—	—	Other than B'01	B'01
Output function	—	Output compare output	—	PWM mode 1 output*3	PWM mode 2 output	—

[Legend]

x: Don't care

- Notes:
1. TIOCC0 input when MD3 to MD0 = B'0000, and IOC3 to IOC0 = B'10xx.
  2. TCLKA input when the setting for TCR\_0 to TCR\_5 is: TPSC2 to TPSC0 = B'100. TCLKA input when channels 1 and 5 are set to phase counting mode.
  3. TIOCC0 output is disabled.  
When BFA = 1 or BFB = 1 in TMDR\_0, output is disabled and setting (2) applies.

- P11/PO9/TIOCB0

The pin function is switched as shown below according to the combination of the operating mode, and the TPU channel 0 setting (by bits MD3 to MD0 in TMDR\_0, and bits IOB3 to IOB0 in TIORH\_0), bit NDER9 in NDERH, and bit P11DDR.

TPU channel 0 setting	Table Below (1)	Table Below (2)		
		P11DDR	—	0
NDER9	—	—	0	1
Pin function	TIOCB0 output	P11 input	P11 output	PO9 output
		TIOCB0 input *		

TPU channel 0 setting	(2)	(1)	(2)	(2)	(1)	(2)
MD3 to MD0	B'0000		B'0010	B'0011		
IOB3 to IOB0	B'0000 B'0100 B'1xxx	B'0001 to B'0011 B'0101 to B'0111	—	B'xx00	Other than B'xx00	
CCLR2 to CCLR0	—	—	—	—	Other than B'010	B'010
Output function	—	Output compare output	—	—	PWM mode 2 output	—

[Legend]

x: Don't care

Note: \* TIOCB0 input when MD3 to MD0 = B'0000, and IOB3 to IOB0 = B'10xx.

- P10/PO8/TIOCA0

The pin function is switched as shown below according to the combination of the operating mode, and the TPU channel 0 setting (by bits MD3 to MD0 in TMDR\_0, bits IOA3 to IOA0 in TIORH\_0, and bits CCLR2 to CCLR0 in TCR\_0), bit NDER8 in NDERH, and bit P10DDR.

TPU channel 0 setting	Table Below (1)	Table Below (2)		
		0	1	1
P10DDR	—	0	1	1
NDER8	—	—	0	1
Pin function	TIOCA0 output	P10 input	P10 output	PO8 output
		TIOCA0 input *1		

TPU channel 0 setting	(2)	(1)	(2)	(1)	(1)	(2)
MD3 to MD0	B'0000		B'001x	B'0010	B'0011	
IOA3 to IOA0	B'0000 B'0100 B'1xxx	B'0001 to B'0011 B'0101 to B'0111	B'xx00	Other than B'xx00		
CCLR2 to CCLR0	—	—	—	—	Other than B'001	B'001
Output function	—	Output compare output	—	PWM mode 1 output*2	PWM mode 2 output	—

[Legend]

x: Don't care

- Notes: 1. TIOCA0 input when MD3 to MD0 = B'0000, and IOA3 to IOA0 = B'10xx.  
2. TIOCBO output is disabled.

## 9.2 Port 2

Port 2 is an 8-bit I/O port. Port 2 pins also function as TPU I/O pins. The pin functions of port 2 change with the operating mode.

- Port 2 data direction register (P2DDR)
- Port 2 data register (P2DR)
- Port 2 register (PORT2)

### 9.2.1 Port 2 Data Direction Register (P2DDR)

P2DDR is a write-only register, the individual bits of which specify input or output for the pins of port 2. P2DDR cannot be read; if it is, an undefined value will be read.

Bit	Bit Name	Initial Value	R/W	Description
7	P27DDR	0	W	Setting a P2DDR bit to 1 makes the corresponding port 2 pin an output pin, while clearing the bit to 0 makes the pin an input pin.
6	P26DDR	0	W	
5	P25DDR	0	W	
4	P24DDR	0	W	
3	P23DDR	0	W	
2	P22DDR	0	W	
1	P21DDR	0	W	
0	P20DDR	0	W	



### 9.2.2 Port 2 Data Register (P2DR)

P2DR stores output data for the port 2 pins.

Bit	Bit Name	Initial Value	R/W	Description
7	P27DR	0	R/W	An output data for a pin is stored when the pin function is specified to a general purpose output port.
6	P26DR	0	R/W	
5	P25DR	0	R/W	
4	P24DR	0	R/W	
3	P23DR	0	R/W	
2	P22DR	0	R/W	
1	P21DR	0	R/W	
0	P20DR	0	R/W	

### 9.2.3 Port 2 Register (PORT2)

PORT2 shows the pin states. It cannot be modified.

Bit	Bit Name	Initial Value	R/W	Description
7	P27	—*	R	If this register read is performed while P2DDR bits are set to 1, the P2DR values are read. If this port read is performed while P2DDR bits are cleared to 0, the pin states are read.
6	P26	—*	R	
5	P25	—*	R	
4	P24	—*	R	
3	P23	—*	R	
2	P22	—*	R	
1	P21	—*	R	
0	P20	—*	R	

Note: \* Determined by state of pins P27 to P20.

## 9.2.4 Pin Functions

The correspondence between the register specification and the pin functions is shown below.

- P27/TIOCB5

The pin function is switched as shown below according to the combination of the TPU channel 5 setting (by bits MD3 to MD0 in TMDR\_5, bits IOB3 to IOB0 in TIOR\_5, and bits CCLR1 and CCLR0 in TCR\_5), bits TPSC2 to TPSC0 in TCR\_0 and TCR\_5, and bit P17DDR.

TPU channel 5 setting	Table below (1)	Table below (2)	
P27DDR	—	0	1
Pin function	TIOCB5 output	P27 input	P27 output
		TIOCB5 input*	

TPU channel 5 setting	(2)	(1)	(2)	(2)	(1)	(2)
MD3 to MD0	B'0000, B'01xx		B'0010	B'0011		
IOB3 to IOB0	B'0000 B'0100 B'1xxx	B'0001 to B'0011 B'0101 to B'0111	—	B'xx00	Other than B'xx00	
CCLR1, CCLR0	—	—	—	—	Other than B'10	B'10
Output function	—	Output compare output	—	—	PWM mode 2 output	—

[Legend]

x: Don't care

Note: \* TIOCB5 input if MD3 to MD0 = B'0000 or B'01xx, and IOB = 1.

- P26/TIOCA5

The pin function is switched as shown below according to the combination of the TPU channel 5 setting (by bits MD3 to MD0 in TMDR\_5, bits IOA3 to IOA0 in TIOR\_5, and bits CCLR1 and CCLR0 in TCR\_5), and bit P26DDR.

TPU channel 5 setting	Table below (1)	Table below (2)	
P26DDR	—	0	1
Pin function	TIOCA5 output	P26 input	P26 output
		TIOCA5 input	

TPU channel 5 setting	(2)	(1)	(2)	(1)	(1)	(2)
MD3 to MD0	B'0000, B'01xx		B'001x	B'0010	B'0011	
IOA3 to IOA0	B'0000 B'0100 B'1xxx	B'0001 to B'0011 B'0101 to B'0111	B'xx00	Other than B'xx00	Other than B'xx00	
CCLR1, CCLR0	—	—	—	—	Other than B'01	B'01
Output function	—	Output compare output	—	PWM mode 1 output *	PWM mode 2 output	—

[Legend]

x: Don't care

Note: \* TIOCB5 output prohibited.

- P25/TIOCB4

The pin function is switched as shown below according to the combination of the TPU channel 4 setting (by bits MD3 to MD0 in TMDR\_4, bits IOB3 to IOB0 in TIOR\_4, and bits CCLR1 and CCLR0 in TCR\_4) and bit P25DDR.

TPU channel 4 setting	Table below (1)	Table below (2)	
		0	1
P25DDR	—		
Pin function	TIOCB4 output	P25 input	P25 output
		TIOCB4 input	

TPU channel 4 setting	(2)	(1)	(2)	(2)	(1)	(2)
MD3 to MD0	B'0000, B'01xx		B'0010	B'0011		
IOB3 to IOB0	B'0000 B'0100 B'1xxx	B'0001 to B'0011 B'0101 to B'0111	—	B'xx00	Other than B'xx00	
CCLR1, CCLR0	—	—	—	—	Other than B'10	B'10
Output function	—	Output compare output	—	—	PWM mode 2 output	—

[Legend]

x: Don't care

- P24/TIOCA4

The pin function is switched as shown below according to the combination of the TPU channel 4 setting (by bits MD3 to MD0 in TMDR\_4, bits IOA3 to IOA0 in TIOR\_4, and bits CCLR1 and CCLR0 in TCR\_4), and bit P24DDR.

TPU channel 4 setting	Table below (1)	Table below (2)	
P24DDR	—	0	1
Pin function	TIOCA4 output	P24 input	P24 output
		TIOCA4 input	

TPU channel 4 setting	(2)	(1)	(2)	(1)	(1)	(2)
MD3 to MD0	B'0000, B'01xx		B'001x	B'0010	B'0011	
IOA3 to IOA0	B'0000 B'0100 B'1xxx	B'0001 to B'0011 B'0101 to B'0111	B'xx00	Other than B'xx00	Other than B'xx00	
CCLR1, CCLR0	—	—	—	—	Other than B'01	B'01
Output function	—	Output compare output	—	PWM mode 1 output*	PWM mode 2 output	—

[Legend]

x: Don't care

Note: \* TIOCB4 output prohibited.

- P23/TIOCD3

The pin function is switched as shown below according to the combination of the TPU channel 3 setting (by bits MD3 to MD0 in TMDR\_3, bits IOD3 to IOD0 in TIORL\_3, and bits CCLR2 to CCLR0 in TCR\_3) and bit P23DDR.

TPU channel 3 setting	Table below (1)	Table below (2)	
		0	1
P23DDR	—		
Pin function	TIOCD3 output	P23 input	P23 output
		TIOCD3 input	

TPU channel 3 setting	(2)	(1)	(2)	(2)	(1)	(2)
MD3 to MD0	B'0000		B'001x	B'0010	B'0011	
IOD3 to IOD0	B'0000 B'0100 B'1xxx	B'0001 to B'0011 B'0101 to B'0111	B'xx00	Other than B'xx00	Other than B'xx00	
CCLR2 to CCLR0	—	—	—	—	Other than B'101	B'101
Output function	—	Output compare output	—	—	PWM mode 2 output	—

[Legend]

x: Don't care

- P22/TIOCC3

The pin function is switched as shown below according to the combination of the TPU channel 3 setting (by bits MD3 to MD0 in TMDR\_3, bits IOC3 to IOC0 in TIORL\_3, and bits CCLR2 to CCLR0 in TCR\_3) and bit P22DDR.

TPU channel 3 setting	Table below (1)	Table below (2)	
P22DDR	—	0	1
Pin function	TIOCC3 output	P22 input	P22 output
		TIOCC3 input	

TPU channel 3 setting	(2)	(1)	(2)	(1)	(1)	(2)
MD3 to MD0	B'0000, B'01xx		B'001x	B'0010	B'0011	
IOC3 to IOC0	B'0000 B'0100 B'1xxx	B'0001 to B'0011 B'0101 to B'0111	B'xx00	Other than B'xx00	Other than B'xx00	
CCLR2 to CCLR0	—	—	—	—	Other than B'101	B'101
Output function	—	Output compare output	—	PWM mode 1 output*	PWM mode 2 output	—

[Legend]

x: Don't care

Note: \* TIOCD3 output prohibited.

- P21/TIOCB3

The pin function is switched as shown below according to the combination of the TPU channel 3 setting (by bits MD3 to MD0 in TMDR\_3, bits IOB3 to IOB0 in TIORL\_3, and bits CCLR2 to CCLR0 in TCR\_3) and bit P21DDR.

TPU channel 3 setting	Table Below (1)	Table Below (2)	
		0	1
P21DDR	—	P21 input	P21 output
Pin function	TIOCB3 output	TIOCB3 input	

TPU channel 3 setting	(2)	(1)	(2)	(2)	(1)	(2)
MD3 to MD0	B'0000		B'0010	B'0011		
IOB3 to IOB0	B'0000 B'0100 B'1xxx	B'0001 to B'0011 B'0101 to B'0111	—	B'xx00	Other than B'xx00	
CCLR2 to CCLR0	—	—	—	—	Other than B'010	B'010
Output function	—	Output compare output	—	—	PWM mode 2 output	—

[Legend]

x: Don't care



- P20/TIOCA3

The pin function is switched as shown below according to the combination of the TPU channel 3 setting (by bits MD3 to MD0 in TMDR\_3, bits IOA3 to IOA0 in TIORL\_3, and bits CCLR2 to CCLR0 in TCR\_3) and bit P20DDR.

TPU channel 3 setting	Table below (1)	Table below (2)	
P20DDR	—	0	1
Pin function	TIOCA3 output	P20 input	P20 output
		TIOCA3 input	

TPU channel 3 setting	(2)	(1)	(2)	(1)	(1)	(2)
MD3 to MD0	B'0000		B'001x	B'0010	B'0011	
IOA3 to IOA0	B'0000 B'0100 B'1xxx	B'0001 to B'0011 B'0101 to B'0111	B'xx00	Other than B'xx00	Other than B'xx00	
CCLR2 to CCLR0	—	—	—	—	Other than B'001	B'001
Output function	—	Output compare output	—	PWM mode 1 output*	PWM mode 2 output	—

[Legend]

x: Don't care

Note: \* TIOCB3 output prohibited.

## 9.3 Port 3

Port 3 is an 8-bit I/O port. Port 3 pins also function as SCI I/O pins and external interrupt input pins. All of the port 3 pin functions have the same operating mode.

- Port 3 data direction register (P3DDR)
- Port 3 data register (P3DR)
- Port 3 register (PORT3)
- Port 3 open-drain control register (PORT3)

### 9.3.1 Port 3 Data Direction Register (P3DDR)

P3DDR is a write-only register, the individual bits of which specify input or output for the pins of port 3. P3DDR cannot be read; if it is, an undefined value will be read.

Bit	Bit Name	Initial Value	R/W	Description
7	P37DDR	0	W	Setting a P3DDR bit to 1 makes the corresponding port 3 pin an output pin, while clearing the bit to 0 makes the pin an input pin.
6	P36DDR	0	W	
5	P35DDR	0	W	
4	P34DDR	0	W	
3	P33DDR	0	W	
2	P32DDR	0	W	
1	P31DDR	0	W	
0	P30DDR	0	W	

### 9.3.2 Port 3 Data Register (P3DR)

P3DR stores output data for the port 3 pins.

Bit	Bit Name	Initial Value	R/W	Description
7	P37DR	0	R/W	An output data for a pin is stored when the pin function is specified to a general purpose output port.
6	P36DR	0	R/W	
5	P35DR	0	R/W	
4	P34DR	0	R/W	
3	P33DR	0	R/W	
2	P32DR	0	R/W	
1	P31DR	0	R/W	
0	P30DR	0	R/W	

### 9.3.3 Port 3 Register (PORT3)

PORT3 shows the pin states. It cannot be modified.

Bit	Bit Name	Initial Value	R/W	Description
7	P37	—*	R	If this register read is performed while P3DDR bits are set to 1, the P3DR values are read. If this register read is performed while P3DDR bits are cleared to 0, the pin states are read.
6	P36	—*	R	
5	P35	—*	R	
4	P34	—*	R	
3	P33	—*	R	
2	P32	—*	R	
1	P31	—*	R	
0	P30	—*	R	

Note: \* Determined by state of pins P37 to P30.

### 9.3.4 Port 3 Open-Drain Control Register (P3ODR)

P3ODR controls output of port 3.

Bit	Bit Name	Initial Value	R/W	Description
7	P37ODR	0	R	By setting P3ODR to 1, the port 3 pins become an NMOS open drain output, and when cleared to 0 they become CMOS output.
6	P36ODR	0	R	
5	P35ODR	0	R	
4	P34ODR	0	R	
3	P33ODR	0	R	
2	P32ODR	0	R	
1	P31ODR	0	R	
0	P30ODR	0	R	

### 9.3.5 Pin Functions

The correspondence between the register specification and the pin functions is shown below.

- P37/TxD4

The pin function is switched as shown below according to the combination of the TE bit in SCR of SCI\_4 and P37DDR bit.

TE	0		1
P37DDR	0	1	—
Pin function	P37 input pin	P37 output pin*	TxD4 output pin

Note: \* When P37ODR = 1, it becomes NMOS open drain output.

- P36/RxD4

The pin function is switched as shown below according to the combination of the RE bit in SCR of SCI4 and P36DDR bit.

RE	0		1
P36DDR	0	1	—
Pin function	P36 input pin	P36 output pin*	RxD4 input pin

Note: \* When P36ODR = 1, it becomes NMOS open drain output.

- P35/SCK1/SCK4/ $\overline{\text{IRQ5}}$

The pin function is switched as shown below according to the combination of the  $\overline{\text{C/A}}$  bit in SMR of SCI\_1 or SCI\_4, the CKE0 and CKE1 bits in SCR, and the P35DDR bit. Do not set simultaneously SCK1 and SCK4 to output.

CKE1	0				1
$\overline{\text{C/A}}$	0			1	—
CKE0	0		1	—	—
P35DDR	0	1	—	—	—
Pin function	P35 input pin	P35 output pin	SCK1/SCK4 output pin*	SCK1/SCK4 output pin*	SCK1/SCK4 input pin
	$\overline{\text{IRQ5}}$ input				

Note: \* When P35ODR = 1, it becomes NMOS open drain output.

- P34/RxD1

The pin function is switched as shown below according to the combination of the RE bit in SCR of SCI\_1 and P34DDR bit.

RE	0		1
P34DDR	0	1	—
Pin function	P34 input pin	P34 output pin*	RxD1 input pin

Note: \* When P34ODR = 1, it becomes NMOS open drain output.

- P33/TxD1

The pin function is switched as shown below according to the combination of the TE bit in SCR of SCI\_1 and P33DDR bit.

TE	0		1
P33DDR	0	1	—
Pin function	P33 input pin	P33 output pin*	TxD1 output pin

Note: \* When P33ODR = 1, it becomes NMOS open drain output.

- P32/SCK0/ $\overline{\text{IRQ4}}$

The pin function is switched as shown below according to the combination of the C/ $\overline{\text{A}}$  bit in SMR of SCI\_0, the CKE0 and CKE1 bits in SCR, and the P32DDR bit.

CKE1	0				1
C/ $\overline{\text{A}}$	0		1	—	
CKE0	0		1	—	—
P32DDR	0	1	—	—	—
Pin function	P32 input pin	P32 output pin	SCK0 output pin*	SCK0 output pin*	SCK0 input pin
	$\overline{\text{IRQ4}}$ input				

Note: \* When P32ODR = 1, it becomes NMOS open drain output.

- P31/RxD0

The pin function is switched as shown below according to the combination of the RE bit in SCR of SCI\_0 and P31DDR bit.

RE	0		1
P31DDR	0	1	—
Pin function	P31 input pin	P31 output pin*	RxD0 input pin

Note: \* When P31ODR = 1, it becomes NMOS open drain output.

- P30/TxD0

The pin function is switched as shown below according to the combination of the TE bit in SCR of SCI\_0 and P30DDR bit.

TE	0		1
P30DDR	0	1	—
Pin function	P30 input pin	P30 output pin*	TxD0 output pin

Note: \* When P30ODR = 1, it becomes NMOS open drain output.

## 9.4 Port 4

Port 4 is an 8-bit input-only port. Port 4 pins also function as A/D converter analog input pins. Port 4 pin functions are the same in all operating modes.

- Port 4 Register (PORT4)

### 9.4.1 Port 4 Register (PORT4)

PORT4 is a read-only register that shows the pin states.

Bit	Bit Name	Initial Value	R/W	Description
7	P47	—*	R	The pin states are always read when PORT4 read is performed.
6	P46	—*	R	
5	P45	—*	R	
4	P44	—*	R	
3	P43	—*	R	
2	P42	—*	R	
1	P41	—*	R	
0	P40	—*	R	

Note: \* Determined by state of pins P47 to P40.

### 9.4.2 Pin Functions

Port 4 pins also function as A/D converter analog input pins.

## 9.5 Port 5

Port 5 is a 3-bit I/O port. Port 5 pins also function as SCI I/O pins. The pin functions of port 5 are the same in all operating modes.

- Port 5 data direction register (P5DDR)
- Port 5 data register (P5DR)
- Port 5 register (PORT5)

### 9.5.1 Port 5 Data Direction Register (P5DDR)

P5DDR is a register, the individual bits of which specify input or output for the pins in port 5. P5DDR cannot be read; if it is, an undefined value will be read.

Bit	Bit Name	Initial Value	R/W	Description
7 to 3	—	Undefined	—	Reserved
2	P52DDR	0	W	Setting a P5DDR bit to 1 makes the corresponding port 5 pin an output pin, while clearing the bit to 0 makes the pin an input pin.
1	P51DDR	0	W	
0	P50DDR	0	W	

### 9.5.2 Port 5 Data Register (P5DR)

P5DR stores output data for the port 5 pins.

Bit	Bit Name	Initial Value	R/W	Description
7 to 3	—	Undefined	—	Reserved
2	P52DR	0	R/W	An output data for a pin is stored when the pin function is specified to a general purpose output port.
1	P51DR	0	R/W	
0	P50DR	0	R/W	



### 9.5.3 Port 5 Register (PORT5)

PORT5 shows the pin states. It cannot be modified.

Bit	Bit Name	Initial Value	R/W	Description
7 to 3	—	Undefined	—	Reserved
2	P52	—*	R	If this register read is performed while P5DDR bits are set to 1, the P5DR values are read. If this register read is performed while P5DDR bits are cleared to 0, the pin states are read.
1	P51	—*	R	
0	P50	—*	R	

Note: \* Determined by state of pins P52 to P50.

### 9.5.4 Pin Functions

The correspondence between the register specification and the pin functions is shown below.

- P52/SCK2

The pin function is switched as shown below according to a combination of the  $\overline{C/A}$  bit in SMR and bits CKE0 and CKE1 in SCR of SCI\_2, and the P52DDR bit.

CKE1	0				1
$\overline{C/A}$	0			1	—
CK0	0		1	—	—
P52DDR	0	1	—	—	—
Pin function	P52 input pin	P52 output pin	SCK2 output pin	SCK2 output pin	SCK2 input pin

- P51/RxD2

The pin function is switched as shown below according to a combination of the RE bit in SCR of SCI\_2 and the P51DDR bit.

RE	0			1
P51DDR	0		1	—
Pin function	P51 input pin		P51 output pin	RxD2 input pin

- P50/TxD2

The pin function is switched as shown below according to a combination of the TE bit in SCR of SCI\_2 and the P50DDR bit.

TE	0		1
P50DDR	0	1	—
Pin function	P50 input pin	P50 output pin	TxD2 output pin

## 9.6 Port 9

Port 9 is an 8-bit input-only port. Port 9 pins also function as A/D converter analog input pins. Port 9 pin functions are the same in all operating modes.

- Port 9 Register (PORT9)

### 9.6.1 Port 9 Register (PORT9)

PORT9 is a read-only register that shows the pin states.

Bit	Bit Name	Initial Value	R/W	Description
7	P97	—*	R	The pin states are always read when PORT9 read is performed.
6	P96	—*	R	
5	P95	—*	R	
4	P94	—*	R	
3	P93	—*	R	
2	P92	—*	R	
1	P91	—*	R	
0	P90	—*	R	

Note: \* Determined by state of pins P97 to P90.

### 9.6.2 Pin Functions

Port 9 pins also function as A/D converter analog input pins.

## 9.7 Port A

Port A is an 8-bit I/O port. Port A pins also function as address bus outputs and LCD driver output pins. The pin functions change according to the operating mode.

Port A has a built-in MOS input pull-up function that can be controlled by software.

- Port A data direction register (PADDR)
- Port A data register (PADR)
- Port A register (PORTA)
- Port A pull-up MOS control register (PAPCR)
- Port A open-drain control register (PAODR)

### 9.7.1 Port A Data Direction Register (PADDR)

PADDR is a register, the individual bits of which specify input or output for the pins of port A. PADDR cannot be read; if it is, an undefined value will be read.

Bit	Bit Name	Initial Value	R/W	Description
7	PA7DDR	0	W	Mode 7:
6	PA6DDR	0	W	These function as segment pins if the values of bits SGS in LPCR are other than B'0000. If the values of bits SGS are B'0000, setting a PADDR bit to 1 makes the corresponding port A pin an output port, and clearing a bit to 0 makes the corresponding pin an input port.
5	PA5DDR	0	W	
4	PA4DDR	0	W	
3	PA3DDR	0	W	
2	PA2DDR	0	W	Modes 4 to 6:
1	PA1DDR	0	W	
0	PA0DDR	0	W	

### 9.7.2 Port A Data Register (PADR)

PADR stores output data for the port A pins.

Bit	Bit Name	Initial Value	R/W	Description
7	PA7DR	0	R/W	An output data for a pin is stored when the pin function is specified to a general purpose output port.
6	PA6DR	0	R/W	
5	PA5DR	0	R/W	
4	PA4DR	0	R/W	
3	PA3DR	0	R/W	
2	PA2DR	0	R/W	
1	PA1DR	0	R/W	
0	PA0DR	0	R/W	

### 9.7.3 Port A Register (PORTA)

PORTA shows the pin states. It cannot be modified.

Bit	Bit Name	Initial Value	R/W	Description
7	PA7	—*	R	If this register read is performed while PADDR bits are set to 1, the PADR values are read. If this register read is performed while PADDR bits are cleared to 0, the pin states are read.
6	PA6	—*	R	
5	PA5	—*	R	
4	PA4	—*	R	
3	PA3	—*	R	
2	PA2	—*	R	
1	PA1	—*	R	
0	PA0	—*	R	

Note: \* Determined by state of pins PA7 to PA0.

### 9.7.4 Port A Pull-Up MOS Control Register (PAPCR)

PAPCR controls the MOS input pull-up function incorporated into port A on an individual bit basis.

Bit	Bit Name	Initial Value	R/W	Description
7	PA7PCR	0	R/W	In modes 4 to 6, if a pin is in the input state in accordance with the settings in PFCR, in LPCR, and in DDR, setting the corresponding PAPCR bit to 1 turns on the MOS input pull-up for that pin.
6	PA6PCR	0	R/W	
5	PA5PCR	0	R/W	
4	PA4PCR	0	R/W	
3	PA3PCR	0	R/W	In mode 7, if a pin is in the input state in accordance with the settings in LPCR and DDR, setting the corresponding PAPCR bit to 1 turns on the MOS input pull-up for that pin.
2	PA2PCR	0	R/W	
1	PA1PCR	0	R/W	
0	PA0PCR	0	R/W	

### 9.7.5 Port A Open-Drain Control Register (PAODR)

PAODR controls output of port A.

Bit	Bit Name	Initial Value	R/W	Description
7	PA7ODR	0	R/W	When pins are not address and LCD outputs in accordance with the setting of bits AE3 to AE0 in PFCR, setting a PAODR bit makes the corresponding port A pin an NMOS open-drain output, while clearing the bit to 0 makes the pin a CMOS output.
6	PA6ODR	0	R/W	
5	PA5ODR	0	R/W	
4	PA4ODR	0	R/W	
3	PA3ODR	0	R/W	
2	PA2ODR	0	R/W	
1	PA1ODR	0	R/W	
0	PA0ODR	0	R/W	

### 9.7.6 Pin Functions

The correspondence between the register specification and the pin functions is shown below.

- PA7/A23/SEG40 to PA4/A20/SEG37

The pin function is switched as shown below according to the combinations of bits SGS3 to SGS0 of LCD driver LPCR, bits AE3 to AE0 in PFGR, and bits PA7DDR to PA4DDR in PADDR.

Setting of SGS3 to SGS0	Port					SEG output
Operating mode	Modes 4 to 6			Mode 7		—
Setting of AE3 to AE0	Address output enabled	Address output disabled		—		—
PAnDDR	—	0	1	0	1	—
Pin function	A23 to A20 output	PA7 to PA4 input	PA7 to PA4 output	PA7 to PA4 input	PA7 to PA4 output	SEG40 to SEG37 output

(n = 7 to 4)

- PA3/A19/COM4 to PA0/A16/COM1

The pin function is switched as shown below according to the combinations of bits SGS3 to SGS0 in LPCR of LCD driver, bits AE3 to AE0 in PFGR, and bits PA3DDR to PA0DDR of PADDR.

Setting of SGS3 to SGS0	B'0000					Other than B'0000
Operating mode	Modes 4 to 6			Mode 7		—
Setting of AE3 to AE0	Address output enabled	Address output disabled		—		—
PAnDDR	—	0	1	0	1	—
Pin function	A19 to A16 output	PA3 to PA0 input	PA3 to PA0 output	PA3 to PA0 input	PA3 to PA0 output	COM1 to COM4 output

(n = 3 to 0)

### 9.7.7 MOS Input Pull-Up Function

Port A has a built-in MOS input pull-up function that can be controlled by software. MOS input pull-up can be specified as on or off on an individual bit basis.

Table 9.2 shows the MOS input pull-up states.

**Table 9.2 MOS Input Pull-Up States (Port A)**

Pin States	Reset	Hardware Standby Mode	Software Standby Mode	In Other Operations
Address output or SCI output	OFF	OFF	OFF	OFF
Other than above			ON/OFF	ON/OFF

[Legend]

OFF: MOS input pull-up is always off.

ON/OFF: On when PADDR = 0 and PAODR = 1; otherwise off.

## 9.8 Port B

Port B is an 8-bit I/O port. Port B also functions as LCD driver output pins and as address bus outputs. The pin functions are determined by the operating mode.

Port B has a built-in MOS input pull-up function that can be controlled by software.

- Port B data direction register (PBDDR)
- Port B data register (PBDR)
- Port B register (PORTB)
- Port B pull-up MOS control register (PBPCR)
- Port B open-drain control register (PBODR)

### 9.8.1 Port B Data Direction Register (PBDDR)

PBDDR is a write-only register, the individual bits of which specify input or output for the pins of port B. PBDDR cannot be read; if it is, an undefined value will be read.

Bit	Bit Name	Initial Value	R/W	Description
7	PB7DDR	0	W	Setting a PBDDR bit to 1 makes the corresponding port B pin an output pin, while clearing the bit to 0 makes the pin an input pin.
6	PB6DDR	0	W	
5	PB5DDR	0	W	
4	PB4DDR	0	W	
3	PB3DDR	0	W	
2	PB2DDR	0	W	
1	PB1DDR	0	W	
0	PB0DDR	0	W	

---



### 9.8.2 Port B Data Register (PBDR)

PBDR stores output data for the port B pins.

Bit	Bit Name	Initial Value	R/W	Description
7	PB7DR	0	R/W	An output data for a pin is stored when the pin function is specified to a general purpose output port.
6	PB6DR	0	R/W	
5	PB5DR	0	R/W	
4	PB4DR	0	R/W	
3	PB3DR	0	R/W	
2	PB2DR	0	R/W	
1	PB1DR	0	R/W	
0	PB0DR	0	R/W	

### 9.8.3 Port B Register (PORTB)

PORTB shows the pin states. It cannot be modified.

Bit	Bit Name	Initial Value	R/W	Description
7	PB7	—*	R	If this register read is performed while PBDDR bits are set to 1, the PBDR values are read. If this register read is performed while PBDDR bits are cleared to 0, the pin states are read.
6	PB6	—*	R	
5	PB5	—*	R	Reading a pin being used as an LCD driver returns an undefined value.
4	PB4	—*	R	
3	PB3	—*	R	
2	PB2	—*	R	
1	PB1	—*	R	
0	PB0	—*	R	

Note: \* Determined by state of pins PB7 to PB0.

### 9.8.4 Port B Pull-Up MOS Control Register (PBPCR)

PBPCR controls the MOS input pull-up function incorporated into port B on an individual bit basis.

Bit	Bit Name	Initial Value	R/W	Description
7	PB7PCR	0	R/W	In modes 4 to 6, if a pin is in the input state in accordance with the settings in the LCD driver's LPCR and in DDR, setting the corresponding PBPCR bit to 1 turns on the MOS input pull-up for that pin.
6	PB6PCR	0	R/W	
5	PB5PCR	0	R/W	
4	PB4PCR	0	R/W	
3	PB3PCR	0	R/W	In mode 7, if a pin is in the input state in accordance with the settings in the LCD driver's LPCR and in DDR, setting the corresponding PBPCR bit to 1 turns on the MOS input pull-up for that pin.
2	PB2PCR	0	R/W	
1	PB1PCR	0	R/W	
0	PB0PCR	0	R/W	

### 9.8.5 Port B Open-Drain Control Register (PBODR)

PBODR controls output of port B.

Bit	Bit Name	Initial Value	R/W	Description
7	PB7ODR	0	R/W	When pins are not address and LCD outputs in accordance with the setting of bits AE3 to AE0 in PFCR, setting a PBODR bit makes the corresponding port A pin an NMOS open-drain output, while clearing the bit to 0 makes the pin a CMOS output. Do not set this register to 1 when the pins are used as the LCD driver pins.
6	PB6ODR	0	R/W	
5	PB5ODR	0	R/W	
4	PB4ODR	0	R/W	
3	PB3ODR	0	R/W	
2	PB2ODR	0	R/W	
1	PB1ODR	0	R/W	
0	PB0ODR	0	R/W	

## 9.8.6 Pin Functions

The correspondence between the register specification and the pin functions is shown below.

Setting of SGS3 to SGS0	Port					SEG output
	Modes 4 to 6			Mode 7		
Operating mode	Modes 4 to 6			Mode 7		—
Setting of AE3 to AE0	Address output enabled	Address output disabled		—		—
PBDDR	—	0	1	0	1	—
Pin function	A15 to A8 output	PB7 to PB0 input	PB7 to PB0 output	PB7 to PB0 input	PB7 to PB0 output	SEG32 to SEG25 output

## 9.8.7 MOS Input Pull-Up Function

Port B has a built-in MOS input pull-up function that can be controlled by software.

Table 9.3 shows the MOS input pull-up states.

**Table 9.3 MOS Input Pull-Up States (Port B)**

Pin States	Reset	Hardware Standby Mode	Software Standby Mode	In Other Operations
Address output or LCD output	OFF	OFF	OFF	OFF
Other than above			ON/OFF	ON/OFF

[Legend]

OFF: MOS input pull-up is always off.

ON/OFF: On when PBDDR = 0 and PBPCR = 1; otherwise off.

## 9.9 Port C

Port C is an 8-bit I/O port. Port C also functions as LCD driver output pins and as address bus outputs. The pin functions are determined by the operating mode.

Port C has a built-in MOS input pull-up function that can be controlled by software.

- Port C data direction register (PCDDR)
- Port C data register (PCDR)
- Port C register (PORTC)
- Port C pull-up MOS control register (PCPCR)
- Port C open-drain control register (PCODR)

### 9.9.1 Port C Data Direction Register (PCDDR)

PCDDR is a write-only register, the individual bits of which specify input or output for the pins of port C. PCDDR cannot be read; if it is, an undefined value will be read.

Bit	Bit Name	Initial Value	R/W	Description
7	PC7DDR	0	W	Setting a PCDDR bit to 1 makes the corresponding port C pin an output pin, while clearing the bit to 0 makes the pin an input pin.
6	PC6DDR	0	W	
5	PC5DDR	0	W	
4	PC4DDR	0	W	
3	PC3DDR	0	W	
2	PC2DDR	0	W	
1	PC1DDR	0	W	
0	PC0DDR	0	W	

---

### 9.9.2 Port C Data Register (PCDR)

PCDR stores output data for the port C pins.

Bit	Bit Name	Initial Value	R/W	Description
7	PC7DR	0	R/W	An output data for a pin is stored when the pin function is specified to a general purpose output port.
6	PC6DR	0	R/W	
5	PC5DR	0	R/W	
4	PC4DR	0	R/W	
3	PC3DR	0	R/W	
2	PC2DR	0	R/W	
1	PC1DR	0	R/W	
0	PC0DR	0	R/W	

### 9.9.3 Port C Register (PORTC)

PORTC shows the pin states. It cannot be modified.

Bit	Bit Name	Initial Value	R/W	Description
7	PC7	—*	R	If this register read is performed while PCDDR bits are set to 1, the PCDR values are read. If this register read is performed while PCDDR bits are cleared to 0, the pin states are read.
6	PC6	—*	R	
5	PC5	—*	R	Reading a pin being used as an LCD driver returns an undefined value.
4	PC4	—*	R	
3	PC3	—*	R	
2	PC2	—*	R	
1	PC1	—*	R	
0	PC0	—*	R	

Note: \* Determined by state of pins PC7 to PC0.

### 9.9.4 Port C Pull-Up MOS Control Register (PCPCR)

PCPCR controls the MOS input pull-up function incorporated into port C on an individual bit basis.

Bit	Bit Name	Initial Value	R/W	Description
7	PC7PCR	0	R/W	In modes 6 and 7, if PCPCR is set to 1 when the port is in the input state in accordance with the settings of the LCD driver LPCR and PCDDR, the MOS input pull-up is set to ON.
6	PC6PCR	0	R/W	
5	PC5PCR	0	R/W	
4	PC4PCR	0	R/W	
3	PC3PCR	0	R/W	
2	PC2PCR	0	R/W	
1	PC1PCR	0	R/W	
0	PC0PCR	0	R/W	

### 9.9.5 Port C Open-Drain Control Register (PCODR)

PCODR controls output of port C.

Bit	Bit Name	Initial Value	R/W	Description
7	PC7ODR	0	R/W	If PCODR is set to 1 by setting AE3 to AE0 in PFCR in mode other than address output mode, port C pins function as NMOS open drain outputs and when the setting is cleared to 0, the pins function as CMOS outputs.
6	PC6ODR	0	R/W	
5	PC5ODR	0	R/W	
4	PC4ODR	0	R/W	
3	PC3ODR	0	R/W	Do not set PCODR to 1 if the pins are being used for LCD driver output.
2	PC2ODR	0	R/W	
1	PC1ODR	0	R/W	
0	PC0ODR	0	R/W	

## 9.9.6 Pin Functions

The correspondence between the register specification and the pin functions is shown below.

Setting of SGS3 to SGS0	Port						SEG output
	Modes 4 and 5	Mode 6			Mode 7		
Operating mode	Modes 4 and 5	Mode 6			Mode 7		—
PCDDR	—	—	0	1	0	1	—
Pin function	A7 to A0 output	A7 to A0 output	PC7 to PC0 input	A7 to A0 output	PC7 to PC0 input	PC7 to PC0 output	SEG24 to SEG17 output

Note: Modes 4 and 5 are extended modes in which the internal ROM is disabled. Address output is disabled when port C is set to segment output, so it is not possible to interface with external ROM. Therefore port C must not be set to segment output in mode 4 or mode 5.

## 9.9.7 MOS Input Pull-Up Function

Port C has a built-in MOS input pull-up function that can be controlled by software.

Table 9.4 shows the MOS input pull-up states.

**Table 9.4 MOS Input Pull-Up States (Port C)**

Pin States	Reset	Hardware Standby Mode	Software Standby Mode	In Other Operations
Address output	OFF	OFF	OFF	OFF
Other than above			ON/OFF	ON/OFF

[Legend]

OFF: MOS input pull-up is always off.

ON/OFF: On when PCDDR = 0 and PCPCR = 1; otherwise off.

## 9.10 Port D

Port D is an 8-bit I/O port. Port D has a data bus I/O function, and the pin functions change according to the operating mode.

Port D has a built-in MOS input pull-up function that can be controlled by software.

- Port D data direction register (PDDDR)
- Port D data register (PDDR)
- Port D register (PORTD)
- Port D pull-up MOS control register (PDPCR)

### 9.10.1 Port D Data Direction Register (PDDDR)

PDDDR is a write-only register, the individual bits of which specify input or output for the pins of port D. PDDDR cannot be read; if it is, an undefined value will be read.

Bit	Bit Name	Initial Value	R/W	Description
7	PD7DDR	0	W	Setting a PDDDR bit to 1 makes the corresponding port D pin an output pin, while clearing the bit to 0 makes the pin an input pin.
6	PD6DDR	0	W	
5	PD5DDR	0	W	
4	PD4DDR	0	W	
3	PD3DDR	0	W	
2	PD2DDR	0	W	
1	PD1DDR	0	W	
0	PD0DDR	0	W	



### 9.10.2 Port D Data Register (PDDR)

PDDR stores output data for the port D pins.

Bit	Bit Name	Initial Value	R/W	Description
7	PD7DR	0	R/W	An output data for a pin is stored when the pin function is specified to a general purpose output port.
6	PD6DR	0	R/W	
5	PD5DR	0	R/W	
4	PD4DR	0	R/W	
3	PD3DR	0	R/W	
2	PD2DR	0	R/W	
1	PD1DR	0	R/W	
0	PD0DR	0	R/W	

### 9.10.3 Port D Register (PORTD)

PORTD shows the pin states. It cannot be modified.

Bit	Bit Name	Initial Value	R/W	Description
7	PD7	—*	R	If this register read is performed while PDDDR bits are set to 1, the PDDR values are read. If this register read is performed while PDDDR bits are cleared to 0, the pin states are read.
6	PD6	—*	R	
5	PD5	—*	R	Reading a pin being used as an LCD driver returns an undefined value.
4	PD4	—*	R	
3	PD3	—*	R	
2	PD2	—*	R	
1	PD1	—*	R	
0	PD0	—*	R	

Note: \* Determined by state of pins PD7 to PD0.

### 9.10.4 Port D Pull-Up MOS Control Register (PDPCR)

PDPCR controls the MOS input pull-up function incorporated into port D on an individual bit basis.

Bit	Bit Name	Initial Value	R/W	Description
7	PD7PCR	0	R/W	In mode 7, if a pin is in the input state in accordance with the settings in PDDDR and LPCR, setting the corresponding PDPCR bit to 1 turns on the MOS input pull-up for that pin.
6	PD6PCR	0	R/W	
5	PD5PCR	0	R/W	
4	PD4PCR	0	R/W	
3	PD3PCR	0	R/W	
2	PD2PCR	0	R/W	
1	PD1PCR	0	R/W	
0	PD0PCR	0	R/W	

### 9.10.5 Pin Functions

The correspondence between the register specification and the pin functions is shown below.

Setting of SGS3 to SGS0	Port			SEG output
Operating mode	Mode 4 to 6	Mode 7		—
PEDDR	—	0	1	—
Pin function	D15 to D12 I/O	PD7 to PD4 input	PD7 to PD4 output	SEG16 to SEG9 output

Note: Modes 4 and 5 are expanded modes with on-chip ROM disabled.

If segment output is selected, data input/output and interfacing to external ROM are no longer possible. Therefore segment output settings should not be made in these modes.

### 9.10.6 MOS Input Pull-Up Function

Port D has a built-in MOS input pull-up function that can be controlled by software. This MOS input pull-up function can be used in mode 7, and can be specified as on or off on an individual bit basis.

Table 9.5 shows the MOS input pull-up states.

**Table 9.5 MOS Input Pull-Up States (Port D)**

Pin States	Reset	Hardware Standby Mode	Software Standby Mode	In Other Operations
4 to 6	OFF	OFF	OFF	OFF
7			ON/OFF	ON/OFF

[Legend]

OFF: MOS input pull-up is always off.

ON/OFF: On when PDDDR = 0, PDPCR = 1, and the pin is not used as a segment driver; otherwise off.

## 9.11 Port E

Port E is an 8-bit I/O port. Port E has a data bus I/O function, and the pin functions change according to the operating mode and whether 8-bit or 16-bit bus mode is selected.

Port E has a built-in MOS input pull-up function that can be controlled by software.

- Port E data direction register (PEDDR)
- Port E data register (PEDR)
- Port E register (PORTE)
- Port E pull-up MOS control register (PEPCR)

### 9.11.1 Port E Data Direction Register (PEDDR)

PEDDR is a write-only register, the individual bits of which specify input or output for the pins of port E. PEDDR cannot be read; if it is, an undefined value will be read.

Bit	Bit Name	Initial Value	R/W	Description
7	PE7DDR	0	W	Setting a PEDDR bit to 1 makes the corresponding port E pin an output pin, while clearing the bit to 0 makes the pin an input pin.
6	PE6DDR	0	W	
5	PE5DDR	0	W	
4	PE4DDR	0	W	
3	PE3DDR	0	W	
2	PE2DDR	0	W	
1	PE1DDR	0	W	
0	PE0DDR	0	W	

### 9.11.2 Port E Data Register (PEDR)

PEDR stores output data for the port E pins.

Bit	Bit Name	Initial Value	R/W	Description
7	PE7DR	0	R/W	An output data for a pin is stored when the pin function is specified to a general purpose output port.
6	PE6DR	0	R/W	
5	PE5DR	0	R/W	
4	PE4DR	0	R/W	
3	PE3DR	0	R/W	
2	PE2DR	0	R/W	
1	PE1DR	0	R/W	
0	PE0DR	0	R/W	

### 9.11.3 Port E Register (PORTE)

PORTE shows the pin states. It cannot be modified.

Bit	Bit Name	Initial Value	R/W	Description
7	PE7	—*	R	If this register read is performed while PEDDR bits are set to 1, the PEDR values are read. If this register read is performed while PEDDR bits are cleared to 0, the pin states are read.
6	PE6	—*	R	
5	PE5	—*	R	
4	PE4	—*	R	
3	PE3	—*	R	
2	PE2	—*	R	
1	PE1	—*	R	
0	PE0	—*	R	

Note: \* Determined by state of pins PE7 to PE0.

### 9.11.4 Port E Pull-Up MOS Control Register (PEPCR)

PEPCR controls the MOS input pull-up function incorporated into port E on an individual bit basis.

Bit	Bit Name	Initial Value	R/W	Description
7	PE7PCR	0	R/W	In modes 4 to 6 with 8-bit-bus mode selected, or in mode 7, if a pin is in the input state in accordance with the settings in PEDDR and PEDDR, setting the corresponding PEPCR bit to 1 turns on the MOS input pull-up for that pin.
6	PE6PCR	0	R/W	
5	PE5PCR	0	R/W	
4	PE4PCR	0	R/W	
3	PE3PCR	0	R/W	
2	PE2PCR	0	R/W	
1	PE1PCR	0	R/W	
0	PE0PCR	0	R/W	

### 9.11.5 Pin Functions

The correspondence between the register specification and the pin functions is shown below.

Setting of SEG3 to SEG0	Port					SEG output
	Modes 4 to 6			Mode 7		
Operating mode	Modes 4 to 6			Mode 7		—
Bus width setting	16-bit mode	8-bit mode		—		—
PEDDR	—	0	1	0	1	—
Pin function	D7 to D0 I/O	PE7 to PE0 input	PE7 to PE0 output	PE7 to PE0 input	PE7 to PE0 output	SEG8 to SEG1 output

### 9.11.6 MOS Input Pull-Up Function

Port D has a built-in MOS input pull-up function that can be controlled by software. This MOS input pull-up function can be used in mode 7, and can be specified as on or off on an individual bit basis.

Table 9.6 shows the MOS input pull-up states.

**Table 9.6 MOS Input Pull-Up States (Port E)**

Pin States	Reset	Hardware Standby Mode	Software Standby Mode	In Other Operations
7	OFF	OFF	ON/OFF	ON/OFF
4 to 6				
8-bit bus				
16-bit bus			OFF	OFF

[Legend]

OFF: MOS input pull-up is always off.

ON/OFF: On when PEDDR = 0, PEPCR = 1, and the pin is not used as a segment driver; otherwise off.

## 9.12 Port F

Port F is a 7-bit I/O port. Port F also functions as LCD driver output pins, external interrupt input pins, the A/D trigger input pin, bus control signal I/O pins, and as the system clock output pin.

- Port F data direction register (PFDDR)
- Port F data register (PFDR)
- Port F register (PORTF)

### 9.12.1 Port F Data Direction Register (PFDDR)

PFDDR is an 8-bit write-only register, the individual bits of which specify input or output for the pins of port F. PFDDR cannot be read; if it is, an undefined value will be read.

Bit	Bit Name	Initial Value	R/W	Description
7	PF7DDR	1*	W	Setting a PFDDR bit to 1 makes the PF7 pin a $\phi$ output pin, while clearing the bit to 0 makes the pin an input pin.
6	PF6DDR	0	W	Setting a PFDDR bit to 1 makes the corresponding port F pin an output port, while clearing the bit to 0 makes the pin an input port.
5	PF5DDR	0	W	
4	PF4DDR	0	W	
3	PF3DDR	0	W	
2	PF2DDR	0	W	
1	—	Undefined	—	Reserved
0	PF0DDR	0	W	Setting a PFDDR bit to 1 makes the corresponding port F pin an output port, while clearing the bit to 0 makes the pin an input port.

Note: \* The initial value is 0 in mode 7.



### 9.12.2 Port F Data Register (PFDR)

PFDR stores output data for the port F pins.

Bit	Bit Name	Initial Value	R/W	Description
7	PF7DR	0	R/W	An output data for a pin is stored when the pin function is specified to a general purpose output port.
6	PF6DR	0	R/W	
5	PF5DR	0	R/W	
4	PF4DR	0	R/W	
3	PF3DR	0	R/W	
2	PF2DR	0	R/W	
1	—	Undefined	—	Reserved
0	PF0DR	0	R/W	An output data for a pin is stored when the pin function is specified to a general purpose output port.

### 9.12.3 Port F Register (PORTF)

PORTF shows the pin states. It cannot be modified.

Bit	Bit Name	Initial Value	R/W	Description
7	PF7	—*	R	If this register read is performed while PFDDR bits are set to 1, the PFDR values are read. If this register read is performed while PFDDR bits are cleared to 0, the pin states are read.
6	PF6	—*	R	
5	PF5	—*	R	Reading a pin being used as an LCD driver returns an undefined value.
4	PF4	—*	R	
3	PF3	—*	R	
2	PF2	—*	R	
1	—	Undefined	—	Reserved
0	PF0	—*	R	

Note: \* Determined by state of pins PF7 to PF2, and PF0.

### 9.12.4 Pin Functions

The correspondence between the register specification and the pin functions is shown below.

- PF7/ $\phi$

The pin function is switched as shown below according to bit PF7DDR.

PF7DDR	0	1
Pin function	PF7 input pin	$\phi$ output pin

- PF6/ $\overline{AS}$ /SEG36

The pin function is switched as shown below according to the operating mode and the setting of SGS3 to SGS0 bits in LPCR and PF6DDR bit.

Operating Mode	Modes 4 to 6		Mode 7		
	SEG output	Port	SEG output	Port	
Setting of SGS3 to SGS0					
PF6DDR	—	—	—	0	1
Pin function	SEG36 output	$\overline{AS}$ output	SEG36 output	PF6 input	PF6 output

- PF5/ $\overline{RD}$ /SEG35

The pin function is switched as shown below according to the operating mode and the setting of SGS3 to SGS0 bits in LPCR and PF5DDR bit.

Operating Mode	Modes 4 to 6		Mode 7		
	SEG output	Port	SEG output	Port	
Setting of SGS3 to SGS0					
PF5DDR	—	—	—	0	1
Pin function	SEG35 output	$\overline{RD}$ output	SEG35 output	PF5 input	PF5 output

- PF4/ $\overline{\text{HWR}}$ /SEG34

The pin function is switched as shown below according to the operating mode and the setting of SGS3 to SGS0 bits in LPCR and PF4DDR bit.

Operating Mode	Modes 4 to 6		Mode 7		
Setting of SGS3 to SGS0	SEG output	Port	SEG output	Port	
PF4DDR	—	—	—	0	1
Pin function	SEG34 output	$\overline{\text{HWR}}$ output	SEG34 output	PF4 input	PF4 output

- PF3/ $\overline{\text{LWR}}$ / $\overline{\text{ADTRG}}$ / $\overline{\text{IRQ3}}$

The pin function is switched as shown below according to the operating mode and the setting of bits TRGS1 and TRGS0 bits in ADCR and PF3DDR bit.

Operating Mode	Modes 4 to 6			Mode 7	
Bus Mode	16	8			
PF3DDR	—	0	1	0	1
Pin function	LWR output pin	PF3 input pin	PF3 output pin	PF3 input pin	PF3 output pin
	$\overline{\text{ADTRG}}$ input pin* <sup>1</sup>				
	$\overline{\text{IRQ3}}$ input pin* <sup>2</sup>				

Note: 1.  $\overline{\text{ADTRG}}$  input when TRGS0=TRGS1=1.  
2. Do not use this pin for other functions when this pin is used as an external interrupt pin.

- PF2/ $\overline{\text{WAIT}}$ /SEG33

The pin function is switched as shown below according to the operating mode, and the setting of SGS3 to SGS0 bits and WAITE bit in LPCR, and PF2DDR bit.

Operating Mode	Modes 4 to 6				Mode 7		
Setting of SGS3 to SGS0	SEG output	Port			SEG output	Port	
WAITE	—	0		1	—	—	
PF2DDR	—	0	1	—	0	1	—
Pin function	SEG33 output	PF2 input	PF2 output	$\overline{\text{WAIT}}$ input	SEG33 output	PF2 input	PF2 output

- PF0/ $\overline{\text{IRQ2}}$

The pin function is switched as shown below according to the PF0DDR bit.

PF0DDR	0	1
Pin function	PF0 input	PF0 output
	$\overline{\text{IRQ2}}$ input	

## 9.13 Port H

Port H is an 8-bit I/O port. Port H pins also function as motor control PWM timer output pins.

- Port H data direction register (PHDDR)
- Port H data register (PHDR)
- Port H register (PORTH)

### 9.13.1 Port H Data Direction Register (PHDDR)

PHDDR is a write-only register, the individual bits of which specify input or output for the pins of port H. PHDDR cannot be read; if it is, an undefined value will be read.

Bit	Bit Name	Initial Value	R/W	Description
7	PH7DDR	0	W	Setting a PHDDR bit to 1 makes the corresponding port H pin an output pin, while clearing the bit to 0 makes the pin an input pin.
6	PH6DDR	0	W	
5	PH5DDR	0	W	
4	PH4DDR	0	W	
3	PH3DDR	0	W	
2	PH2DDR	0	W	
1	PH1DDR	0	W	
0	PH0DDR	0	W	

### 9.13.2 Port H Data Register (PHDR)

PHDR stores output data for the port H pins.

Bit	Bit Name	Initial Value	R/W	Description
7	PH7DR	0	R/W	An output data for a pin is stored when the pin function is specified to a general purpose output port.
6	PH6DR	0	R/W	
5	PH5DR	0	R/W	
4	PH4DR	0	R/W	
3	PH3DR	0	R/W	
2	PH2DR	0	R/W	
1	PH1DR	0	R/W	
0	PH0DR	0	R/W	

### 9.13.3 Port H Register (PORTH)

PORTH shows the pin states. It cannot be modified.

If a port H read is performed while PHDDR bits are set to 1, the PHDR values are read. If a port H read is performed while PHDDR bits are cleared to 0, the pin states are read.

Bit	Bit Name	Initial Value	R/W	Description
7	PH7	—*	R	If this register read is performed while PHDDR bits are set to 1, the PHDR values are read. If this register read is performed while PHDDR bits are cleared to 0, the pin states are read.
6	PH6	—*	R	
5	PH5	—*	R	
4	PH4	—*	R	
3	PH3	—*	R	
2	PH2	—*	R	
1	PH1	—*	R	
0	PH0	—*	R	

Note: \* Determined by state of pins PH7 to PH0.

### 9.13.4 Pin Functions

The correspondence between the register specification and the pin functions is shown below.

OE1A to OE1H	1	0	
PHDDR	—	0	1
Pin function	Motor control PWM timer output	PH7 to PH0 input	PH7 to PH0 output

## 9.14 Port J

Port J is an 8-bit I/O port. Port J pins also function as motor control PWM timer output pins.

- Port J data direction register (PJDDR)
- Port J data register (PJDR)
- Port J register (PORTJ)

### 9.14.1 Port J Data Direction Register (PJDDR)

PJDDR is a write-only register, the individual bits of which specify input or output for the pins of port J. PJDDR cannot be read; if it is, an undefined value will be read.

Bit	Bit Name	Initial Value	R/W	Description
7	PJ7DDR	0	W	Setting a PJDDR bit to 1 makes the corresponding port J pin an output pin, while clearing the bit to 0 makes the pin an input pin.
6	PJ6DDR	0	W	
5	PJ5DDR	0	W	
4	PJ4DDR	0	W	
3	PJ3DDR	0	W	
2	PJ2DDR	0	W	
1	PJ1DDR	0	W	
0	PJ0DDR	0	W	

### 9.14.2 Port J Data Register (PJDR)

PJDR stores output data for the port J pins.

Bit	Bit Name	Initial Value	R/W	Description
7	PJ7DR	0	R/W	An output data for a pin is stored when the pin function is specified to a general purpose output port.
6	PJ6DR	0	R/W	
5	PJ5DR	0	R/W	
4	PJ4DR	0	R/W	
3	PJ3DR	0	R/W	
2	PJ2DR	0	R/W	
1	PJ1DR	0	R/W	
0	PJ0DR	0	R/W	

### 9.14.3 Port J Register (PORTJ)

PORTJ shows the pin states. It cannot be modified.

Writing of output data for the port J pins must always be performed on PJDR.

Bit	Bit Name	Initial Value	R/W	Description
7	PJ7	—*	R	If this register read is performed while PJDDR bits are set to 1, the PJDR values are read. If this register read is performed while PJDDR bits are cleared to 0, the pin states are read.
6	PJ6	—*	R	
5	PJ5	—*	R	
4	PJ4	—*	R	
3	PJ3	—*	R	
2	PJ2	—*	R	
1	PJ1	—*	R	
0	PJ0	—*	R	

Note: \* Determined by state of pins PJ7 to PJ0.



### 9.14.4 Pin Functions

The correspondence between the register specification and the pin functions is shown below.

OE2A to OE2H	1	0	
PJDDR	—	0	1
Pin function	Motor control PWM timer output	PJ7 to PJ0 input	PJ7 to PH0 output

## 9.15 Port K

Port K is a 2-bit I/O port. Port K pins also function as HCAN pins.

- Port K data direction register (PKDDR)
- Port K data register (PKDR)
- Port K register (PORTK)

### 9.15.1 Port K Data Direction Register (PKDDR)

PKDDR is a write-only register, the individual bits of which specify input or output for the pins of port K. PKDDR cannot be read; if it is, an undefined value will be read.

Bit	Bit Name	Initial Value	R/W	Description
7	PK7DDR	0	W	Setting a PKDDR bit to 1 makes the corresponding port K pin an output pin, while clearing the bit to 0 makes the pin an input pin.
6	PK6DDR	0	W	
5 to 0	—	Undefined	—	Reserved

### 9.15.2 Port K Data Register (PKDR)

PKDR stores output data for the port K pins.

Bit	Bit Name	Initial Value	R/W	Description
7	PK7DR	0	R/W	An output data for a pin is stored when the pin function is specified to a general purpose output port.
6	PK6DR	0	R/W	
5 to 0	—	Undefined	—	Reserved

### 9.15.3 Port K Register (PORTK)

PORTK shows the pin states. It cannot be modified.

Bit	Bit Name	Initial Value	R/W	Description
7	PK7	—*	R	If this register read is performed while PKDDR bits are set to 1, the PKDR values are read. If this register read is performed while PKDDR bits are cleared to 0, the pin states are read.
6	PK6	—*	R	
5 to 0	—	Undefined	—	Reserved

Note: \* Determined by state of pins PK7 and PK6.

### 9.15.4 Pin Functions

The correspondence between the register specification and the pin functions is shown below.

PKFE*	1	0	
PKDDR	—	0	1
Pin Function	HRxD1, HTxD1	PK7 and PK6 input	PK7 and PK6 output

Note: \* The PKFE bit supports only HCAN\_1.

## Section 10 16-Bit Timer Pulse Unit (TPU)

This LSI has an on-chip 16-bit timer pulse unit (TPU) comprised of six 16-bit timer channels.

The function list of the 16-bit timer unit and its block diagram are shown in table 10.1 and figure 10.1, respectively.

### 10.1 Features

- Maximum 16-pulse input/output
- Selection of 8 counter input clocks for each channel
- The following operations can be set for each channel:
  - Waveform output at compare match
  - Input capture function
  - Counter clear operation
  - Synchronous operation:
    - Multiple timer counters (TCNT) can be written to simultaneously
    - Simultaneous clearing by compare match and input capture is possible
    - Register simultaneous input/output is possible by synchronous counter operation
  - A maximum 15-phase PWM output is possible in combination with synchronous operation
- Buffer operation settable for channels 0 and 3
- Phase counting mode settable independently for each of channels 1, 2, 4, and 5
- Cascaded operation
- Fast access via internal 16-bit bus
- 26 interrupt sources
- Automatic transfer of register data
- Programmable pulse generator (PPG) output trigger can be generated
- A/D converter conversion start trigger can be generated
- Module stop mode can be set

**Table 10.1 TPU Functions**

Item	Channel 0	Channel 1	Channel 2	Channel 3	Channel 4	Channel 5
Count clock	$\phi/1$	$\phi/1$	$\phi/1$	$\phi/1$	$\phi/1$	$\phi/1$
	$\phi/4$	$\phi/4$	$\phi/4$	$\phi/4$	$\phi/4$	$\phi/4$
	$\phi/16$	$\phi/16$	$\phi/16$	$\phi/16$	$\phi/16$	$\phi/16$
	$\phi/64$	$\phi/64$	$\phi/64$	$\phi/64$	$\phi/64$	$\phi/64$
	TCLKA	$\phi/256$	$\phi/1024$	$\phi/256$	$\phi/1024$	$\phi/256$
	TCLKB	TCLKA	TCLKA	$\phi/1024$	TCLKA	TCLKA
	TCLKC	TCLKB	TCLKB	$\phi/4096$	TCLKC	TCLKC
TCLKD		TCLKC	TCLKA		TCLKD	
General registers (TGR)	TGRA_0	TGRA_1	TGRA_2	TGRA_3	TGRA_4	TGRA_5
	TGRB_0	TGRB_1	TGRB_2	TGRB_3	TGRB_4	TGRB_5
General registers/ buffer registers	TGRC_0	—	—	TGRC_3	—	—
	TGRD_0			TGRD_3		
I/O pins	TIOCA0	TIOCA1	TIOCA2	TIOCA3	TIOCA4	TIOCA5
	TIOCB0	TIOCB1	TIOCB2	TIOCB3	TIOCB4	TIOCB5
	TIOCC0			TIOCC3		
	TIOCD0			TIOCD3		
Counter clear function	TGR compare match or input capture	TGR compare match or input capture	TGR compare match or input capture	TGR compare match or input capture	TGR compare match or input capture	TGR compare match or input capture
Compare match output	0 output	○	○	○	○	○
	1 output	○	○	○	○	○
	Toggle output	○	○	○	○	○
Input capture function	○	○	○	○	○	○
Synchronous operation	○	○	○	○	○	○
PWM mode	○	○	○	○	○	○
Phase counting mode	—	○	○	—	○	○
Buffer operation	○	—	—	○	—	—

Item	Channel 0	Channel 1	Channel 2	Channel 3	Channel 4	Channel 5
DTC activation	TGR compare match or input capture	TGR compare match or input capture	TGR compare match or input capture	TGR compare match or input capture	TGR compare match or input capture	TGR compare match or input capture
A/D converter trigger	TGRA_0 compare match or input capture	TGRA_1 compare match or input capture	TGRA_2 compare match or input capture	TGRA_3 compare match or input capture	TGRA_4 compare match or input capture	TGRA_5 compare match or input capture
PPG trigger	TGRA_0/ TGRB_0 compare match or input capture	TGRA_1/ TGRB_1 compare match or input capture	TGRA_2/ TGRB_2 compare match or input capture	TGRA_3/ TGRB_3 compare match or input capture	—	—

Item	Channel 0	Channel 1	Channel 2	Channel 3	Channel 4	Channel 5
Interrupt sources	5 sources	4 sources	4 sources	5 sources	4 sources	4 sources
	<ul style="list-style-type: none"> <li>Compare match or input capture 0A</li> <li>Compare match or input capture 0B</li> <li>Compare match or input capture 0C</li> <li>Compare match or input capture 0D</li> <li>Overflow</li> </ul>	<ul style="list-style-type: none"> <li>Compare match or input capture 1A</li> <li>Compare match or input capture 1B</li> <li>Overflow</li> <li>Underflow</li> </ul>	<ul style="list-style-type: none"> <li>Compare match or input capture 2A</li> <li>Compare match or input capture 2B</li> <li>Overflow</li> <li>Underflow</li> </ul>	<ul style="list-style-type: none"> <li>Compare match or input capture 3A</li> <li>Compare match or input capture 3B</li> <li>Compare match or input capture 3C</li> <li>Compare match or input capture 3D</li> <li>Overflow</li> </ul>	<ul style="list-style-type: none"> <li>Compare match or input capture 4A</li> <li>Compare match or input capture 4B</li> <li>Overflow</li> <li>Underflow</li> </ul>	<ul style="list-style-type: none"> <li>Compare match or input capture 5A</li> <li>Compare match or input capture 5B</li> <li>Overflow</li> <li>Underflow</li> </ul>

## [Legend]

○: Possible

—: Not possible

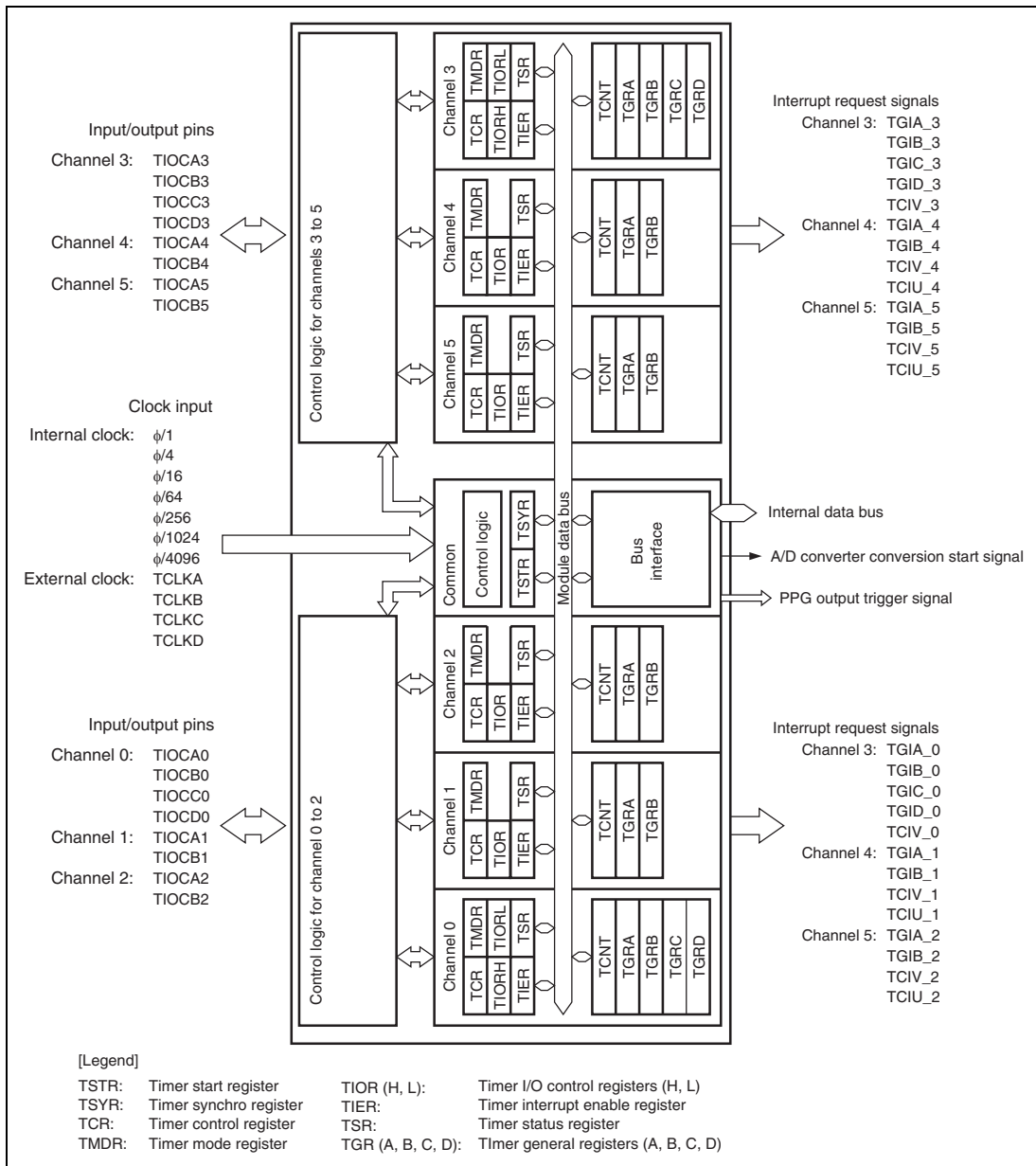


Figure 10.1 Block Diagram of TPU

## 10.2 Input/Output Pins

**Table 10.2 TPU Pins**

Channel	Symbol	I/O	Function
All	TCLKA	Input	External clock A input pin (Channel 1 and 5 phase counting mode A phase input)
	TCLKB	Input	External clock B input pin (Channel 1 and 5 phase counting mode B phase input)
	TCLKC	Input	External clock C input pin (Channel 2 and 4 phase counting mode A phase input)
	TCLKD	Input	External clock D input pin (Channel 2 and 4 phase counting mode B phase input)
0	TIOCA0	I/O	TGRA_0 input capture input/output compare output/PWM output pin
	TIOCB0	I/O	TGRB_0 input capture input/output compare output/PWM output pin
	TIOCC0	I/O	TGRC_0 input capture input/output compare output/PWM output pin
	TIOCD0	I/O	TGRD_0 input capture input/output compare output/PWM output pin
1	TIOCA1	I/O	TGRA_1 input capture input/output compare output/PWM output pin
	TIOCB1	I/O	TGRB_1 input capture input/output compare output/PWM output pin
2	TIOCA2	I/O	TGRA_2 input capture input/output compare output/PWM output pin
	TIOCB2	I/O	TGRB_2 input capture input/output compare output/PWM output pin
3	TIOCA3	I/O	TGRA_3 input capture input/output compare output/PWM output pin
	TIOCB3	I/O	TGRB_3 input capture input/output compare output/PWM output pin
	TIOCC3	I/O	TGRC_3 input capture input/output compare output/PWM output pin
	TIOCD3	I/O	TGRD_3 input capture input/output compare output/PWM output pin
4	TIOCA4	I/O	TGRA_4 input capture input/output compare output/PWM output pin
	TIOCB4	I/O	TGRB_4 input capture input/output compare output/PWM output pin
5	TIOCA5	I/O	TGRA_5 input capture input/output compare output/PWM output pin
	TIOCB5	I/O	TGRB_5 input capture input/output compare output/PWM output pin



## 10.3 Register Descriptions

The TPU has the following registers. To distinguish registers in each channel, an underscore and the channel number are added as a suffix to the register name; TCR for channel 0 is expressed as TCR\_0.

- Timer control register\_0 (TCR\_0)
- Timer mode register\_0 (TMDR\_0)
- Timer I/O control register H\_0 (TIORH\_0)
- Timer I/O control register L\_0 (TIORL\_0)
- Timer interrupt enable register\_0 (TIER\_0)
- Timer status register\_0 (TSR\_0)
- Timer counter\_0 (TCNT\_0)
- Timer general register A\_0 (TGRA\_0)
- Timer general register B\_0 (TGRB\_0)
- Timer general register C\_0 (TGRC\_0)
- Timer general register D\_0 (TGRD\_0)
- Timer control register\_1 (TCR\_1)
- Timer mode register\_1 (TMDR\_1)
- Timer I/O control register \_1 (TIOR\_1)
- Timer interrupt enable register\_1 (TIER\_1)
- Timer status register\_1 (TSR\_1)
- Timer counter\_1 (TCNT\_1)
- Timer general register A\_1 (TGRA\_1)
- Timer general register B\_1 (TGRB\_1)
- Timer control register\_2 (TCR\_2)
- Timer mode register\_2 (TMDR\_2)
- Timer I/O control register\_2 (TIOR\_2)
- Timer interrupt enable register\_2 (TIER\_2)
- Timer status register\_2 (TSR\_2)
- Timer counter\_2 (TCNT\_2)
- Timer general register A\_2 (TGRA\_2)
- Timer general register B\_2 (TGRB\_2)
- Timer control register\_3 (TCR\_3)
- Timer mode register\_3 (TMDR\_3)

- Timer I/O control register H\_3 (TIORH\_3)
- Timer I/O control register L\_3 (TIORL\_3)
- Timer interrupt enable register\_3 (TIER\_3)
- Timer status register\_3 (TSR\_3)
- Timer counter\_3 (TCNT\_3)
- Timer general register A\_3 (TGRA\_3)
- Timer general register B\_3 (TGRB\_3)
- Timer general register C\_3 (TGRC\_3)
- Timer general register D\_3 (TGRD\_3)
- Timer control register\_4 (TCR\_4)
- Timer mode register\_4 (TMDR\_4)
- Timer I/O control register\_4 (TIOR\_4)
- Timer interrupt enable register\_4 (TIER\_4)
- Timer status register\_4 (TSR\_4)
- Timer counter\_4 (TCNT\_4)
- Timer general register A\_4 (TGRA\_4)
- Timer general register B\_4 (TGRB\_4)
- Timer control register\_5 (TCR\_5)
- Timer mode register\_5 (TMDR\_5)
- Timer I/O control register\_5 (TIOR\_5)
- Timer interrupt enable register\_5 (TIER\_5)
- Timer status register\_5 (TSR\_5)
- Timer counter\_5 (TCNT\_5)
- Timer general register A\_5 (TGRA\_5)
- Timer general register B\_5 (TGRB\_5)

#### Common Registers

- Timer start register (TSTR)
- Timer synchro register (TSYR)

### 10.3.1 Timer Control Register (TCR)

The TCR registers are 8-bit readable/writable registers that control the TCNT operation for each channel. The TPU has a total of six TCR registers, one for each channel (channel 0 to 5). TCR register settings should be conducted only when TCNT operation is stopped.

Bit	Bit Name	Initial value	R/W	Description
7	CCLR2	0	R/W	Counter Clear 0 to 2
6	CCLR1	0	R/W	These bits select the TCNT counter clearing source. See tables 10.3 and 10.4 for details.
5	CCLR0	0	R/W	
4	CKEG1	0	R/W	Clock Edge 0 and 1
3	CKEG0	0	R/W	These bits select the input clock edge. When the input clock is counted using both edges, the input clock period is halved (e.g. $\phi/4$ both edges = $\phi/2$ rising edge). If phase counting mode is used on channels 1, 2, 4, and 5, this setting is ignored and the phase counting mode setting has priority. Internal clock edge selection is valid when the input clock is $\phi/4$ or slower. This setting is ignored if the input clock is $\phi/1$ , or when overflow/underflow of another channel is selected. 00: Count at rising edge 01: Count at falling edge 1X: Count at both edges [Legend] X: Don't care
2	TPSC2	0	R/W	Time Prescaler 0 to 2
1	TPSC1	0	R/W	These bits select the TCNT counter clock. The clock source can be selected independently for each channel. See tables 10.5 to 10.10 for details.
0	TPSC0	0	R/W	

**Table 10.3 CCLR0 to CCLR2 (Channels 0 and 3)**

Channel	Bit 7 CCLR2	Bit 6 CCLR1	Bit 5 CCLR0	Description
0, 3	0	0	0	TCNT clearing disabled
			1	TCNT cleared by TGRA compare match/input capture
			1	TCNT cleared by TGRB compare match/input capture
	1	0	0	TCNT clearing disabled
			1	TCNT cleared by TGRC compare match/input capture* <sup>2</sup>
			1	TCNT cleared by TGRD compare match/input capture* <sup>2</sup>
1	1	0	TCNT clearing disabled	
		1	TCNT cleared by counter clearing for another channel performing synchronous clearing/synchronous operation* <sup>1</sup>	
		1	TCNT cleared by counter clearing for another channel performing synchronous clearing/synchronous operation* <sup>1</sup>	

Notes: 1. Synchronous operation is set by setting the SYNC bit in TSYR to 1.

2. When TGRC or TGRD is used as a buffer register, TCNT is not cleared because the buffer register setting has priority, and compare match/input capture does not occur.

**Table 10.4 CCLR0 to CCLR2 (Channels 1, 2, 4, and 5)**

Channel	Bit 7 Reserved* <sup>2</sup>	Bit 6 CCLR1	Bit 5 CCLR0	Description
1, 2, 4, 5	0	0	0	TCNT clearing disabled
			1	TCNT cleared by TGRA compare match/input capture
			1	TCNT cleared by TGRB compare match/input capture
			1	TCNT cleared by counter clearing for another channel performing synchronous clearing/synchronous operation* <sup>1</sup>
			1	TCNT cleared by counter clearing for another channel performing synchronous clearing/synchronous operation* <sup>1</sup>
			1	TCNT cleared by counter clearing for another channel performing synchronous clearing/synchronous operation* <sup>1</sup>

Notes: 1. Synchronous operation is selected by setting the SYNC bit in TSYR to 1.

2. Bit 7 is reserved in channels 1, 2, 4, and 5. It is always read as 0 and cannot be modified.

**Table 10.5 TPSC0 to TPSC2 (Channel 0)**

Channel	Bit 2 TPSC2	Bit 1 TPSC1	Bit 0 TPSC0	Description
0	0	0	0	Internal clock: counts on $\phi/1$
			1	Internal clock: counts on $\phi/4$
		1	0	Internal clock: counts on $\phi/16$
			1	Internal clock: counts on $\phi/64$
	1	0	0	External clock: counts on TCLKA pin input
			1	External clock: counts on TCLKB pin input
		1	0	External clock: counts on TCLKC pin input
			1	External clock: counts on TCLKD pin input

**Table 10.6 TPSC0 to TPSC2 (Channel 1)**

Channel	Bit 2 TPSC2	Bit 1 TPSC1	Bit 0 TPSC0	Description
1	0	0	0	Internal clock: counts on $\phi/1$
			1	Internal clock: counts on $\phi/4$
		1	0	Internal clock: counts on $\phi/16$
			1	Internal clock: counts on $\phi/64$
	1	0	0	External clock: counts on TCLKA pin input
			1	External clock: counts on TCLKB pin input
		1	0	Internal clock: counts on $\phi/256$
			1	Counts on TCNT2 overflow/underflow

Note: This setting is ignored when channel 1 is in phase counting mode.

**Table 10.7 TPSC0 to TPSC2 (Channel 2)**

Channel	Bit 2 TPSC2	Bit 1 TPSC1	Bit 0 TPSC0	Description
2	0	0	0	Internal clock: counts on $\phi/1$
			1	Internal clock: counts on $\phi/4$
		1	0	Internal clock: counts on $\phi/16$
			1	Internal clock: counts on $\phi/64$
1	1	0	0	External clock: counts on TCLKA pin input
			1	External clock: counts on TCLKB pin input
		1	0	External clock: counts on TCLKC pin input
			1	Internal clock: counts on $\phi/1024$

Note: This setting is ignored when channel 2 is in phase counting mode.

**Table 10.8 TPSC0 to TPSC2 (Channel 3)**

Channel	Bit 2 TPSC2	Bit 1 TPSC1	Bit 0 TPSC0	Description
3	0	0	0	Internal clock: counts on $\phi/1$
			1	Internal clock: counts on $\phi/4$
		1	0	Internal clock: counts on $\phi/16$
			1	Internal clock: counts on $\phi/64$
1	1	0	0	External clock: counts on TCLKA pin input
			1	Internal clock: counts on $\phi/1024$
		1	0	Internal clock: counts on $\phi/256$
			1	Internal clock: counts on $\phi/4096$

**Table 10.9 TPSC0 to TPSC2 (Channel 4)**

Channel	Bit 2 TPSC2	Bit 1 TPSC1	Bit 0 TPSC0	Description
4	0	0	0	Internal clock: counts on $\phi/1$
			1	Internal clock: counts on $\phi/4$
		1	0	Internal clock: counts on $\phi/16$
			1	Internal clock: counts on $\phi/64$
	1	0	0	External clock: counts on TCLKA pin input
			1	External clock: counts on TCLKC pin input
		1	0	Internal clock: counts on $\phi/1024$
			1	Counts on TCNT5 overflow/underflow

Note: This setting is ignored when channel 4 is in phase counting mode.

**Table 10.10 TPSC0 to TPSC2 (Channel 5)**

Channel	Bit 2 TPSC2	Bit 1 TPSC1	Bit 0 TPSC0	Description
5	0	0	0	Internal clock: counts on $\phi/1$
			1	Internal clock: counts on $\phi/4$
		1	0	Internal clock: counts on $\phi/16$
			1	Internal clock: counts on $\phi/64$
	1	0	0	External clock: counts on TCLKA pin input
			1	External clock: counts on TCLKC pin input
		1	0	Internal clock: counts on $\phi/256$
			1	External clock: counts on TCLKD pin input

Note: This setting is ignored when channel 5 is in phase counting mode.

### 10.3.2 Timer Mode Register (TMDR)

The TMDR registers are 8-bit readable/writable registers that are used to set the operating mode of each channel. The TPU has six TMDR registers, one for each channel. TMDR register settings should be changed only when TCNT operation is stopped.

Bit	Bit Name	Initial value	R/W	Description
7, 6	—	All 1	—	Reserved These bits are always read as 1 and cannot be modified.
5	BFB	0	R/W	Buffer Operation B Specifies whether TGRB is to operate in the normal way, or TGRB and TGRD are to be used together for buffer operation. When TGRD is used as a buffer register, TGRD input capture/output compare is not generated. In channels 1, 2, 4, and 5, which have no TGRD, bit 5 is reserved. It is always read as 0 and cannot be modified. 0: TGRB operates normally 1: TGRB and TGRD used together for buffer operation
4	BFA	0	R/W	Buffer Operation A Specifies whether TGRA is to operate in the normal way, or TGRA and TGRC are to be used together for buffer operation. When TGRC is used as a buffer register, TGRC input capture/output compare is not generated. In channels 1, 2, 4, and 5, which have no TGRC, bit 4 is reserved. It is always read as 0 and cannot be modified. 0: TGRA operates normally 1: TGRA and TGRC used together for buffer operation
3	MD3	0	R/W	Modes 0 to 3
2	MD2	0	R/W	These bits are used to set the timer operating mode.
1	MD1	0	R/W	
0	MD0	0	R/W	MD3 is a reserved bit. In a write, it should always be written with 0. See table 10.11 for details.



**Table 10.11 MD0 to MD3**

Bit 3 MD3* <sup>1</sup>	Bit 2 MD2* <sup>2</sup>	Bit 1 MD1	Bit 0 MD0	Description	
0	0	0	0	Normal operation	
			1	Reserved	
	1	0	1	0	PWM mode 1
				1	PWM mode 2
			1	0	Phase counting mode 1
				1	Phase counting mode 2
		1	1	0	Phase counting mode 3
				1	Phase counting mode 4
1	X	X	X	—	

[Legend]

X: Don't care

- Notes:
1. MD3 is a reserved bit. In a write, it should always be written with 0.
  2. Phase counting mode cannot be set for channels 0 and 3. In this case, 0 should always be written to MD2.

### 10.3.3 Timer I/O Control Register (TIOR)

The TIOR registers are 8-bit readable/writable registers that control the TGR registers. The TPU has eight TIOR registers, two each for channels 0 and 3, and one each for channels 1, 2, 4, and 5.

Care is required as TIOR is affected by the TMDR setting. The initial output specified by TIOR is valid when the counter is stopped (the CST bit in TSTR is cleared to 0). Note also that, in PWM mode 2, the output at the point at which the counter is cleared to 0 is specified.

When TGRC or TGRD is designated for buffer operation, this setting is invalid and the register operates as a buffer register.

- TIORH\_0, TIOR\_1, TIOR\_2, TIORH\_3, TIOR\_4, TIOR\_5

Bit	Bit Name	Initial value	R/W	Description
7	IOB3	0	R/W	I/O Control B0 to B3
6	IOB2	0	R/W	Specify the function of TGRB.
5	IOB1	0	R/W	
4	IOB0	0	R/W	
3	IOA3	0	R/W	
2	IOA2	0	R/W	Specify the function of TGRA.
1	IOA1	0	R/W	
0	IOA0	0	R/W	

- TIORL\_0, TIORL\_3

Bit	Bit Name	Initial value	R/W	Description
7	IOD3	0	R/W	I/O Control D0 to D3
6	IOD2	0	R/W	Specify the function of TGRD.
5	IOD1	0	R/W	
4	IOD0	0	R/W	
3	IOC3	0	R/W	
2	IOC2	0	R/W	Specify the function of TGRC.
1	IOC1	0	R/W	
0	IOC0	0	R/W	

Table 10.12 TIORH\_0 (Channel 0)

Bit 7 IOB3	Bit 6 IOB2	Bit 5 IOB1	Bit 4 IOB0	Description		
				TGRB_0 Function	TIOCB0 Pin Function	
0	0	0	0	Output compare register	Output disabled	
			1		Initial output is 0 0 output at compare match	
		1	0		Initial output is 0 1 output at compare match	
			1		Initial output is 0 Toggle output at compare match	
		1	0		0	Output disabled
					1	Initial output is 1 0 output at compare match
	1	0	0	Initial output is 1 1 output at compare match		
			1	Initial output is 1 Toggle output at compare match		
	1	0	0	0	Input capture register	Capture input source is the TIOCB0 pin Input capture at rising edge
				1		Capture input source is the TIOCB0 pin Input capture at falling edge
			1	X		Capture input source is the TIOCB0 pin Input capture at both edges.
		1	X	X		Capture input source is channel 1/count clock Input capture at TCNT_1 count-up/count-down*

[Legend]

X: Don't care

Note: \* When bits TPSC0 to TPSC2 in TCR\_1 are set to B'000 and  $\phi/1$  is used as the TCNT\_1 count clock, this setting is invalid and input capture is not generated.

**Table 10.13 TIORL\_0 (Channel 0)**

Bit 7 IOD3	Bit 6 IOD2	Bit 5 IOD1	Bit 4 IOD0	Description		
				TGRD_0 Function	TIOCD0 Pin Function	
0	0	0	0	Output compare register* <sup>2</sup>	Output disabled	
			1		Initial output is 0 0 output at compare match	
		1	0		Initial output is 0 1 output at compare match	
			1		Initial output is 0 Toggle output at compare match	
	1	0	0	0	Output disabled	
				1	Initial output is 1 0 output at compare match	
			1	0	Initial output is 1 1 output at compare match	
				1	Initial output is 1 Toggle output at compare match	
		X	X	0	Input capture register* <sup>2</sup>	Capture input source is the TIOCD0 pin Input capture at rising edge
				1	Capture input source is the TIOCD0 pin Input capture at falling edge	
			X	1	X	Capture input source is the TIOCD0 pin Input capture at both edges
				X	X	Capture input source is channel 1/count clock Input capture at TCNT_1 count-up/count-down* <sup>1</sup>

## [Legend]

X: Don't care

- Notes: 1. When bits TPSC0 to TPSC2 in TCR\_1 are set to B'000 and  $\phi/1$  is used as the TCNT\_1 count clock, this setting is invalid and input capture is not generated.
2. When the BFB bit in TMDR\_0 is set to 1 and TGRD\_0 is used as a buffer register, this setting is invalid and input capture/output compare is not generated.

Table 10.14 TIOR\_1 (Channel 1)

Bit 7 IOB3	Bit 6 IOB2	Bit 5 IOB1	Bit 4 IOB0	Description		
				TGRB_1 Function	TIOCB1 Pin Function	
0	0	0	0	Output compare register	Output disabled	
			1		Initial output is 0 0 output at compare match	
		1	0		Initial output is 0 1 output at compare match	
			1		Initial output is 0 Toggle output at compare match	
		1	0		0	Output disabled
					1	Initial output is 1 0 output at compare match
	1	0	0	Initial output is 1 1 output at compare match		
			1	Initial output is 1 Toggle output at compare match		
	1	0	0	0	Input capture register	Capture input source is the TIOCB1 pin Input capture at rising edge
				1		Capture input source is the TIOCB1 pin Input capture at falling edge
			1	X		Capture input source is the TIOCB1 pin Input capture at both edges
		1	X	X		TGRC_0 compare match/ input capture Input capture at generation of TGRC_0 compare match/input capture

[Legend]

X: Don't care

Table 10.15 TIOR\_2 (Channel 2)

Bit 7 IOB3	Bit 6 IOB2	Bit 5 IOB1	Bit 4 IOB0	Description		
				TGRB_2 Function	TIOCB2 Pin Function	
0	0	0	0	Output compare register	Output disabled	
			1		Initial output is 0 0 output at compare match	
		1	0		Initial output is 0 1 output at compare match	
			1		Initial output is 0 Toggle output at compare match	
	1	0	0	0	Output disabled	
				1	Initial output is 1 0 output at compare match	
			1	0	Initial output is 1 1 output at compare match	
				1	Initial output is 1 Toggle output at compare match	
		X	0	0	Input capture register	Capture input source is the TIOCB2 pin Input capture at rising edge
				1		Capture input source is the TIOCB2 pin Input capture at falling edge
			1	X		Capture input source is the TIOCB2 pin Input capture at both edges

[Legend]

X: Don't care

Table 10.16 TIORH\_3 (Channel 3)

Bit 7 IOB3	Bit 6 IOB2	Bit 5 IOB1	Bit 4 IOB0	Description		
				TGRB_3 Function	TIOCB3 Pin Function	
0	0	0	0	Output compare register	Output disabled	
			1		Initial output is 0 0 output at compare match	
		1	0		Initial output is 0 1 output at compare match	
			1		Initial output is 0 Toggle output at compare match	
		1	0		0	Output disabled
					1	Initial output is 1 0 output at compare match
	1	0	0	Initial output is 1 1 output at compare match		
			1	Initial output is 1 Toggle output at compare match		
	1	0	0	0	Input capture register	Capture input source is the TIOCB3 pin Input capture at rising edge
				1		Capture input source is the TIOCB3 pin Input capture at falling edge
			1	X		Capture input source is the TIOCB3 pin Input capture at both edges
		1	X	X		Capture input source is channel 4/count clock Input capture at TCNT_4 count-up/count-down*

[Legend]

X: Don't care

Note: \* When bits TPSC0 to TPSC2 in TCR\_4 are set to B'000 and  $\phi/1$  is used as the TCNT\_4 count clock, this setting is invalid and input capture is not generated.

Table 10.17 TIORL\_3 (Channel 3)

Bit 7 IOD3	Bit 6 IOD2	Bit 5 IOD1	Bit 4 IOD0	Description		
				TGRD_3 Function	TIOCD3 Pin Function	
0	0	0	0	Output compare register* <sup>2</sup>	Output disabled	
			1		Initial output is 0 0 output at compare match	
		1	0		Initial output is 0 1 output at compare match	
			1		Initial output is 0 Toggle output at compare match	
	1	0	0	0	Output disabled	
				1	Initial output is 1 0 output at compare match	
			1	0	Initial output is 1 1 output at compare match	
				1	Initial output is 1 Toggle output at compare match	
		X	X	0	Input capture register* <sup>2</sup>	Capture input source is the TIOCD3 pin Input capture at rising edge
				1	Capture input source is the TIOCD3 pin Input capture at falling edge	
			X	1	X	Capture input source is the TIOCD3 pin Input capture at both edges
				X	X	Capture input source is channel 4/count clock Input capture at TCNT_4 count-up/count-down* <sup>1</sup>

## [Legend]

X: Don't care

- Notes: 1. When bits TPSC0 to TPSC2 in TCR\_4 are set to B'000 and  $\phi/1$  is used as the TCNT\_4 count clock, this setting is invalid and input capture is not generated.
2. When the BFB bit in TMDR\_3 is set to 1 and TGRD\_3 is used as a buffer register, this setting is invalid and input capture/output compare is not generated.



Table 10.18 TIOR\_4 (Channel 4)

Bit 7 IOB3	Bit 6 IOB2	Bit 5 IOB1	Bit 4 IOB0	Description		
				TGRB_4 Function	TIOCB4 Pin Function	
0	0	0	0	Output compare register	Output disabled	
			1		Initial output is 0 0 output at compare match	
		1	0		Initial output is 0 1 output at compare match	
			1		Initial output is 0 Toggle output at compare match	
		1	0		0	Output disabled
					1	Initial output is 1 0 output at compare match
	1	0	0	Initial output is 1 1 output at compare match		
			1	Initial output is 1 Toggle output at compare match		
	1	0	0	0	Input capture register	Capture input source is the TIOCB4 pin Input capture at rising edge
				1		Capture input source is the TIOCB4 pin Input capture at falling edge
			1	X		Capture input source is the TIOCB4 pin Input capture at both edges
		1	X	X		Capture input source is TGRC_3 compare match/input capture
Input capture at generation of TGRC_3 compare match/input capture						

[Legend]

X: Don't care

Table 10.19 TIOR\_5 (Channel 5)

Bit 7 IOB3	Bit 6 IOB2	Bit 5 IOB1	Bit 4 IOB0	Description		
				TGRB_5 Function	TIOCB5 Pin Function	
0	0	0	0	Output compare register	Output disabled	
			1		Initial output is 0 0 output at compare match	
		1	0		Initial output is 0 1 output at compare match	
			1		Initial output is 0 Toggle output at compare match	
	1	0	0	0	Output disabled	
				1	Initial output is 1 0 output at compare match	
			1	0	Initial output is 1 1 output at compare match	
				1	Initial output is 1 Toggle output at compare match	
		X	0	0	Input capture register	Capture input source is the TIOCB5 pin Input capture at rising edge
				1		Capture input source is the TIOCB5 pin Input capture at falling edge
			1	X		Capture input source is the TIOCB5 pin Input capture at both edges

[Legend]

X: Don't care

Table 10.20 TIORH\_0 (Channel 0)

Bit 3 IOA3	Bit 2 IOA2	Bit 1 IOA1	Bit 0 IOA0	Description		
				TGRA_0 Function	TIOCA0 Pin Function	
0	0	0	0	Output compare register	Output disabled	
			1		Initial output is 0 0 output at compare match	
		1	0		Initial output is 0 1 output at compare match	
			1		Initial output is 0 Toggle output at compare match	
		1	0		0	Output disabled
					1	Initial output is 1 0 output at compare match
	1	0	0	Initial output is 1 1 output at compare match		
			1	Initial output is 1 Toggle output at compare match		
	1	0	0	0	Input capture register	Capture input source is the TIOCA0 pin Input capture at rising edge
				1		Capture input source is the TIOCA0 pin Input capture at falling edge
			1	X		Capture input source is the TIOCA0 pin Input capture at both edges
		1	X	X		Capture input source is channel 1/count clock Input capture at TCNT_1 count-up/count-down

[Legend]

X: Don't care

**Table 10.21 TIORL\_0 (Channel 0)**

Bit 3 IOC3	Bit 2 IOC2	Bit 1 IOC1	Bit 0 IOC0	Description		
				TGRC_0 Function	TIOCC0 Pin Function	
0	0	0	0	Output compare register*	Output disabled	
			1		Initial output is 0 0 output at compare match	
		1	0		Initial output is 0 1 output at compare match	
			1		Initial output is 0 Toggle output at compare match	
	1	0	0	0	Output disabled	
				1	Initial output is 1 0 output at compare match	
			1	0	Initial output is 1 1 output at compare match	
				1	Initial output is 1 Toggle output at compare match	
		1	X	X	Input capture register*	Capture input source is the TIOCC0 pin Input capture at rising edge
						Input capture source is the TIOCC0 pin Input capture at falling edge
			1	X		Capture input source is the TIOCC0 pin Input capture at both edges
				X		Capture input source is channel 1/count clock Input capture at TCNT_1 count-up/count-down

[Legend]

X: Don't care

Note: \* When the BFA bit in TMDR\_0 is set to 1 and TGRC\_0 is used as a buffer register, this setting is invalid and input capture/output compare is not generated.

Table 10.22 TIOR\_1 (Channel 1)

Bit 3 IOA3	Bit 2 IOA2	Bit 1 IOA1	Bit 0 IOA0	Description		
				TGRA_1 Function	TIOCA1 Pin Function	
0	0	0	0	Output compare register	Output disabled	
			1		Initial output is 0 0 output at compare match	
		1	0		Initial output is 0 1 output at compare match	
			1		Initial output is 0 Toggle output at compare match	
		1	0		0	Output disabled
					1	Initial output is 1 0 output at compare match
	1	0	0	Initial output is 1 1 output at compare match		
			1	Initial output is 1 Toggle output at compare match		
	1	0	0	0	Input capture register	Capture input source is the TIOCA1 pin Input capture at rising edge
				1		Capture input source is the TIOCA1 pin Input capture at falling edge
			1	X		Capture input source is the TIOCA1 pin Input capture at both edges
		1	X	X		Capture input source is TGRA_0 compare match/input capture
Input capture at generation of channel 0/TGRA_0 compare match/input capture						

[Legend]

X: Don't care

Table 10.23 TIOR\_2 (Channel 2)

Bit 3 IOA3	Bit 2 IOA2	Bit 1 IOA1	Bit 0 IOA0	Description		
				TGRA_2 Function	TIOCA2 Pin Function	
0	0	0	0	Output compare register	Output disabled	
			1		Initial output is 0 0 output at compare match	
		1	0		Initial output is 0 1 output at compare match	
			1		Initial output is 0 Toggle output at compare match	
	1	0	0	0	Output disabled	
				1	Initial output is 1 0 output at compare match	
			1	0	Initial output is 1 1 output at compare match	
				1	Initial output is 1 Toggle output at compare match	
		X	0	0	Input capture register	Capture input source is the TIOCA2 pin Input capture at rising edge
				1		Capture input source is the TIOCA2 pin Input capture at falling edge
			1	X		Capture input source is the TIOCA2 pin Input capture at both edges

[Legend]

X: Don't care

Table 10.24 TIORH\_3 (Channel 3)

Bit 3 IOA3	Bit 2 IOA2	Bit 1 IOA1	Bit 0 IOA0	Description		
				TGRA_3 Function	TIOCA3 Pin Function	
0	0	0	0	Output compare register	Output disabled	
			1		Initial output is 0 0 output at compare match	
		1	0		Initial output is 0 1 output at compare match	
			1		Initial output is 0 Toggle output at compare match	
		1	0		0	Output disabled
					1	Initial output is 1 0 output at compare match
	1	0	0	Initial output is 1 1 output at compare match		
			1	Initial output is 1 Toggle output at compare match		
	1	0	0	0	Input capture register	Capture input source is the TIOCA3 pin Input capture at rising edge
				1		Capture input source is the TIOCA3 pin Input capture at falling edge
			1	X		Capture input source is the TIOCA3 pin Input capture at both edges
		1	X	X		Capture input source is channel 4/count clock Input capture at TCNT_4 count-up/count-down

[Legend]

X: Don't care

Table 10.25 TIORL\_3 (Channel 3)

Bit 3 IOC3	Bit 2 IOC2	Bit 1 IOC1	Bit 0 IOC0	Description		
				TGRC_3 Function	TIOCC3 Pin Function	
0	0	0	0	Output compare register*	Output disabled	
			1		Initial output is 0 0 output at compare match	
			0		Initial output is 0 1 output at compare match	
		1	0		Initial output is 0 Toggle output at compare match	
			1		Output disabled	
			0		Initial output is 1 0 output at compare match	
	1	0	0	1	Initial output is 1 1 output at compare match	
				0	Initial output is 1 1 output at compare match	
				1	Initial output is 1 Toggle output at compare match	
		1	X	X	0	Capture input source is the TIOCC3 pin Input capture at rising edge
					1	Capture input source is the TIOCC3 pin Input capture at falling edge
					X	Capture input source is the TIOCC3 pin Input capture at both edges
1	X	X	0	Capture input source is channel 4/count clock Input capture at TCNT_4 count-up/count-down		
			1	Capture input source is channel 4/count clock Input capture at TCNT_4 count-up/count-down		

## [Legend]

X: Don't care

Note: \* When the BFA bit in TMDR\_3 is set to 1 and TGRC\_3 is used as a buffer register, this setting is invalid and input capture/output compare is not generated.



Table 10.26 TIOR\_4 (Channel 4)

Bit 3 IOA3	Bit 2 IOA2	Bit 1 IOA1	Bit 0 IOA0	Description		
				TGRA_4 Function	TIOCA4 Pin Function	
0	0	0	0	Output compare register	Output disabled	
			1		Initial output is 0 0 output at compare match	
		1	0		Initial output is 0 1 output at compare match	
			1		Initial output is 0 Toggle output at compare match	
		1	0		0	Output disabled
					1	Initial output is 1 0 output at compare match
	1	0	0	Initial output is 1 1 output at compare match		
			1	Initial output is 1 Toggle output at compare match		
	1	0	0	0	Input capture register	Capture input source is the TIOCA4 pin Input capture at rising edge
				1		Capture input source is the TIOCA4 pin Input capture at falling edge
			1	X		Capture input source is the TIOCA4 pin Input capture at both edges
		1	X	X		Capture input source is TGRA_3 compare match/input capture
Input capture at generation of TGRA_3 compare match/input capture						

[Legend]

X: Don't care

Table 10.27 TIOR\_5 (Channel 5)

Bit 3 IOA3	Bit 2 IOA2	Bit 1 IOA1	Bit 0 IOA0	Description		
				TGRA_5 Function	TIOCA5 Pin Function	
0	0	0	0	Output compare register	Output disabled	
			1		Initial output is 0 0 output at compare match	
		1	0		Initial output is 0 1 output at compare match	
			1		Initial output is 0 Toggle output at compare match	
	1	0	0	0	Output disabled	
				1	Initial output is 1 0 output at compare match	
			1	0	Initial output is 1 1 output at compare match	
				1	Initial output is 1 Toggle output at compare match	
		X	0	0	Input capture register	Capture input source is the TIOCA5 pin Input capture at rising edge
				1		Capture input source is the TIOCA5 pin Input capture at falling edge
			1	X		Capture input source is the TIOCA5 pin Input capture at both edges

[Legend]

X: Don't care

### 10.3.4 Timer Interrupt Enable Register (TIER)

The TIER registers are 8-bit readable/writable registers that control enabling or disabling of interrupt requests for each channel. The TPU has six TIER registers, one for each channel.

Bit	Bit Name	Initial value	R/W	Description
7	TTGE	0	R/W	<p>A/D Conversion Start Request Enable</p> <p>Enables or disables generation of A/D conversion start requests by TGRA input capture/compare match.</p> <p>0: A/D conversion start request generation disabled</p> <p>1: A/D conversion start request generation enabled</p>
6	—	1	—	<p>Reserved</p> <p>This bit is always read as 1 and cannot be modified.</p>
5	TCIEU	0	R/W	<p>Underflow Interrupt Enable</p> <p>Enables or disables interrupt requests (TCIU) by the TCFU flag when the TCFU flag in TSR is set to 1 in channels 1, 2, 4, and 5.</p> <p>In channels 0 and 3, bit 5 is reserved. It is always read as 0 and cannot be modified.</p> <p>0: Interrupt requests (TCIU) by TCFU disabled</p> <p>1: Interrupt requests (TCIU) by TCFU enabled</p>
4	TCIEV	0	R/W	<p>Overflow Interrupt Enable</p> <p>Enables or disables interrupt requests (TCIV) by the TCFV flag when the TCFV flag in TSR is set to 1.</p> <p>0: Interrupt requests (TCIV) by TCFV disabled</p> <p>1: Interrupt requests (TCIV) by TCFV enabled</p>
3	TGIED	0	R/W	<p>TGR Interrupt Enable D</p> <p>Enables or disables interrupt requests (TGID) by the TGFD bit when the TGFD bit in TSR is set to 1 in channels 0 and 3.</p> <p>In channels 1, 2, 4, and 5, bit 3 is reserved. It is always read as 0 and cannot be modified.</p> <p>0: Interrupt requests (TGID) by TGFD bit disabled</p> <p>1: Interrupt requests (TGID) by TGFD bit enabled</p>

Bit	Bit Name	Initial value	R/W	Description
2	TGIEC	0	R/W	<p>TGR Interrupt Enable C</p> <p>Enables or disables interrupt requests (TGIC) by the TGFC bit when the TGFC bit in TSR is set to 1 in channels 0 and 3.</p> <p>In channels 1, 2, 4, and 5, bit 2 is reserved. It is always read as 0 and cannot be modified.</p> <p>0: Interrupt requests (TGIC) by TGFC bit disabled 1: Interrupt requests (TGIC) by TGFC bit enabled</p>
1	TGIEB	0	R/W	<p>TGR Interrupt Enable B</p> <p>Enables or disables interrupt requests (TGIB) by the TGFB bit when the TGFB bit in TSR is set to 1.</p> <p>0: Interrupt requests (TGIB) by TGFB bit disabled 1: Interrupt requests (TGIB) by TGFB bit enabled</p>
0	TGIEA	0	R/W	<p>TGR Interrupt Enable A</p> <p>Enables or disables interrupt requests (TGIA) by the TGFA bit when the TGFA bit in TSR is set to 1.</p> <p>0: Interrupt requests (TGIA) by TGFA bit disabled 1: Interrupt requests (TGIA) by TGFA bit enabled</p>

### 10.3.5 Timer Status Register (TSR)

The TSR registers are 8-bit readable/writable registers that indicate the status of each channel. The TPU has six TSR registers, one for each channel.

Bit	Bit Name	Initial value	R/W	Description
7	TCFD	1	R	Count Direction Flag Status flag that shows the direction in which TCNT counts in channels 1, 2, 4, and 5. In channels 0 and 3, bit 7 is reserved. It is always read as 1 and cannot be modified. 0: TCNT counts down 1: TCNT counts up
6	—	1	—	Reserved This bit is always read as 1 and cannot be modified.
5	TCFU	0	R/(W)	Underflow Flag Status flag that indicates that TCNT underflow has occurred when channels 1, 2, 4, and 5 are set to phase counting mode. Only 0 can be written, for flag clearing. In channels 0 and 3, bit 5 is reserved. It is always read as 0 and cannot be modified. [Setting condition] When the TCNT value underflows (changes from H'0000 to H'FFFF) [Clearing condition] When 0 is written to TCFU after reading TCFU = 1
4	TCFV	0	R/(W)	Overflow Flag Status flag that indicates that TCNT overflow has occurred. Only 0 can be written, for flag clearing. [Setting condition] When the TCNT value overflows (changes from H'FFFF to H'0000) [Clearing condition] When 0 is written to TCFV after reading TCFV = 1

Bit	Bit Name	Initial value	R/W	Description
3	TGFD	0	R/(W)	<p>Input Capture/Output Compare Flag D</p> <p>Status flag that indicates the occurrence of TGRD input capture or compare match in channels 0 and 3. Only 0 can be written, for flag clearing. In channels 1, 2, 4, and 5, bit 3 is reserved. It is always read as 0 and cannot be modified.</p> <p>[Setting conditions]</p> <ul style="list-style-type: none"> <li>When TCNT = TGRD and TGRD is functioning as output compare register</li> <li>When TCNT value is transferred to TGRD by input capture signal and TGRD is functioning as input capture register</li> </ul> <p>[Clearing conditions]</p> <ul style="list-style-type: none"> <li>When DTC is activated by TGID interrupt and the DISEL bit of MRB in DTC is 0</li> <li>When 0 is written to TGFD after reading TGFD = 1</li> </ul>
2	TGFC	0	R/(W)	<p>Input Capture/Output Compare Flag C</p> <p>Status flag that indicates the occurrence of TGRC input capture or compare match in channels 0 and 3. Only 0 can be written, for flag clearing. In channels 1, 2, 4, and 5, bit 2 is reserved. It is always read as 0 and cannot be modified.</p> <p>[Setting conditions]</p> <ul style="list-style-type: none"> <li>When TCNT = TGRC and TGRC is functioning as output compare register</li> <li>When TCNT value is transferred to TGRC by input capture signal and TGRC is functioning as input capture register</li> </ul> <p>[Clearing conditions]</p> <ul style="list-style-type: none"> <li>When DTC is activated by TGIC interrupt and the DISEL bit of MRB in DTC is 0</li> <li>When 0 is written to TGFC after reading TGFC = 1</li> </ul>

Bit	Bit Name	Initial value	R/W	Description
1	TGFB	0	R/(W)	<p>Input Capture/Output Compare Flag B</p> <p>Status flag that indicates the occurrence of TGRB input capture or compare match. Only 0 can be written, for flag clearing.</p> <p>[Setting conditions]</p> <ul style="list-style-type: none"> <li>• When TCNT = TGRB and TGRB is functioning as output compare register</li> <li>• When TCNT value is transferred to TGRB by input capture signal and TGRB is functioning as input capture register</li> </ul> <p>[Clearing conditions]</p> <ul style="list-style-type: none"> <li>• When DTC is activated by TGIB interrupt and the DISEL bit of MRB in DTC is 0</li> <li>• When 0 is written to TGFB after reading TGFB = 1</li> </ul>
0	TGFA	0	R/(W)	<p>Input Capture/Output Compare Flag A</p> <p>Status flag that indicates the occurrence of TGRA input capture or compare match. Only 0 can be written, for flag clearing.</p> <p>[Setting conditions]</p> <ul style="list-style-type: none"> <li>• When TCNT = TGRA and TGRA is functioning as output compare register</li> <li>• When TCNT value is transferred to TGRA by input capture signal and TGRA is functioning as input capture register</li> </ul> <p>[Clearing conditions]</p> <ul style="list-style-type: none"> <li>• When DTC is activated by TGIA interrupt and the DISEL bit of MRB in DTC is 0</li> <li>• When 0 is written to TGFA after reading TGFA = 1</li> </ul>

### 10.3.6 Timer Counter (TCNT)

The TCNT registers are 16-bit readable/writable counters. The TPU has six TCNT counters, one for each channel.

The TCNT counters are initialized to H'0000 by a reset, and in hardware standby mode.

The TCNT counters cannot be accessed in 8-bit units; they must always be accessed as a 16-bit unit.

### 10.3.7 Timer General Register (TGR)

The TGR registers are dual function 16-bit readable/writable registers, functioning as either output compare or input capture registers. The TPU has 16 TGR registers, four each for channels 0 and 3 and two each for channels 1, 2, 4, and 5. TGRC and TGRD for channels 0 and 3 can also be designated for operation as buffer registers. The TGR registers cannot be accessed in 8-bit units; they must always be accessed as a 16-bit unit. TGR buffer register combinations are TGRA—TGRC and TGRB—TGRD.

### 10.3.8 Timer Start Register (TSTR)

TSTR is an 8-bit readable/writable register that selects operation/stoppage for channels 0 to 5. When setting the operating mode in TMDR or setting the count clock in TCR, first stop the TCNT counter.

Bit	Bit Name	Initial value	R/W	Description
7, 6	—	All 0	—	Reserved The write value should always be 0.
5	CST5	0	R/W	Counter Start 0 to 5 (CST0 to CST5)
4	CST4	0	R/W	These bits select operation or stoppage for TCNT. If 0 is written to the CST bit during operation with the TIOC pin designated for output, the counter stops but the TIOC pin output compare output level is retained. If TIOR is written to when the CST bit is cleared to 0, the pin output level will be changed to the set initial output value. 0: TCNT_0 to TCNT_5 count operation is stopped 1: TCNT_0 to TCNT_5 performs count operation
3	CST3	0	R/W	
2	CST2	0	R/W	
1	CST1	0	R/W	
0	CST0	0	R/W	



### 10.3.9 Timer Synchro Register (TSYR)

TSYR is an 8-bit readable/writable register that selects independent operation or synchronous operation for the channel 0 to 5 TCNT counters. A channel performs synchronous operation when the corresponding bit in TSYR is set to 1.

Bit	Bit Name	Initial value	R/W	Description
7, 6	—	All 0	R/W	Reserved The write value should always be 0.
5	SYNC5	0	R/W	Timer Synchro 0 to 5
4	SYNC4	0	R/W	These bits are used to select whether operation is independent of or synchronized with other channels. When synchronous operation is selected, the TCNT synchronous presetting of multiple channels, and synchronous clearing by counter clearing on another channel, are possible. To set synchronous operation, the SYNC bits for at least two channels must be set to 1. To set synchronous clearing, in addition to the SYNC bit, the TCNT clearing source must also be set by means of bits CCLR0 to CCLR2 in TCR. 0: TCNT_0 to TCNT_5 operates independently (TCNT presetting /clearing is unrelated to other channels) 1: TCNT_0 to TCNT_5 performs synchronous operation TCNT synchronous presetting/synchronous clearing is possible
3	SYNC3	0	R/W	
2	SYNC2	0	R/W	
1	SYNC1	0	R/W	
0	SYNC0	0	R/W	

## 10.4 Operation

### 10.4.1 Basic Functions

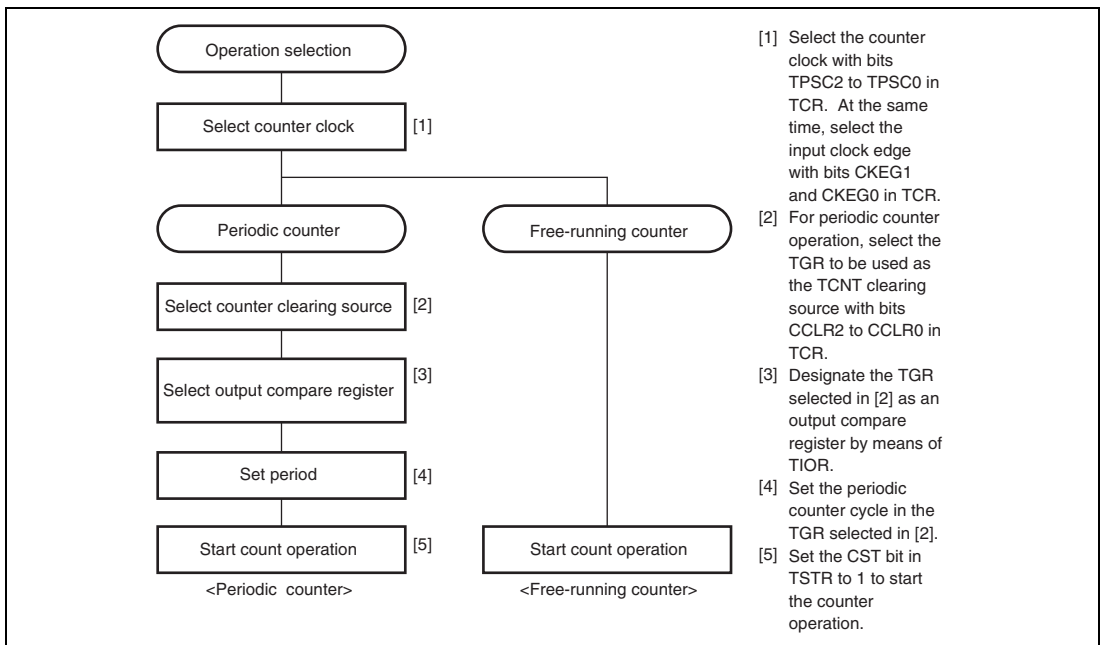
Each channel has a TCNT and TGR register. TCNT performs up-counting, and is also capable of free-running operation, periodic counting, and external event counting.

Each TGR can be used as an input capture register or output compare register.

**Counter Operation:** When one of bits CST0 to CST5 is set to 1 in TSTR, the TCNT counter for the corresponding channel begins counting. TCNT can operate as a free-running counter, periodic counter, for example.

#### 1. Example of count operation setting procedure

Figure 10.2 shows an example of the count operation setting procedure.

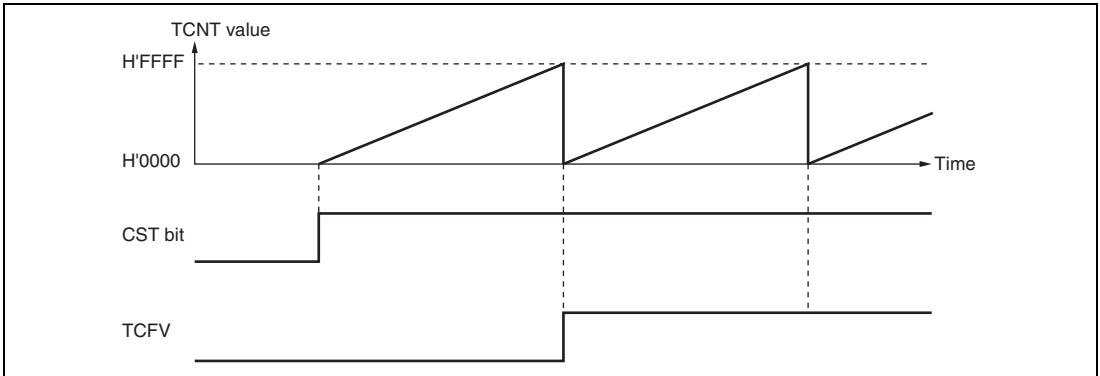


**Figure 10.2 Example of Counter Operation Setting Procedure**

## 2. Free-running count operation and periodic count operation

Immediately after a reset, the TPU's TCNT counters are all designated as free-running counters. When the relevant bit in TSTR is set to 1 the corresponding TCNT counter starts up-count operation as a free-running counter. When TCNT overflows (from H'FFFF to H'0000), the TCFV bit in TSR is set to 1. If the value of the corresponding TCIEV bit in TIER is 1 at this point, the TPU requests an interrupt. After overflow, TCNT starts counting up again from H'0000.

Figure 10.3 illustrates free-running counter operation.

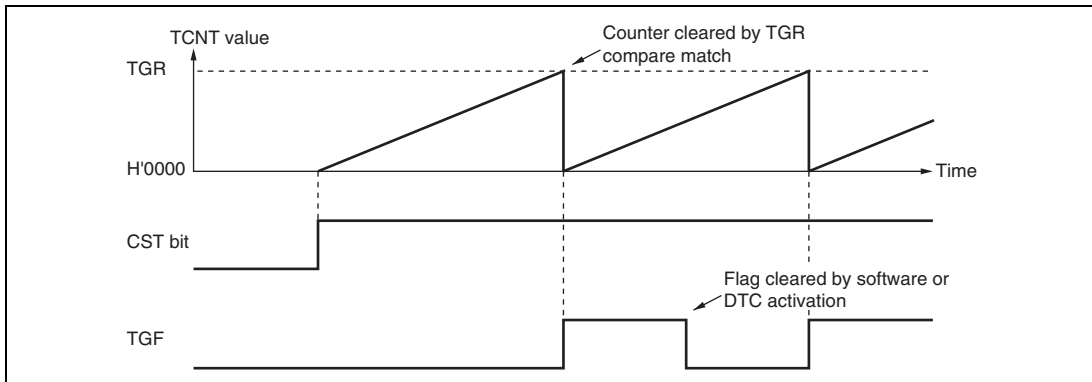


**Figure 10.3 Free-Running Counter Operation**

When compare match is selected as the TCNT clearing source, the TCNT counter for the relevant channel performs periodic count operation. The TGR register for setting the period is designated as an output compare register, and counter clearing by compare match is selected by means of bits CCLR0 to CCLR2 in TCR. After the settings have been made, TCNT starts up-count operation as a periodic counter when the corresponding bit in TSTR is set to 1. When the count value matches the value in TGR, the TGF bit in TSR is set to 1 and TCNT is cleared to H'0000.

If the value of the corresponding TGIE bit in TIER is 1 at this point, the TPU requests an interrupt. After a compare match, TCNT starts counting up again from H'0000.

Figure 10.4 illustrates periodic counter operation.

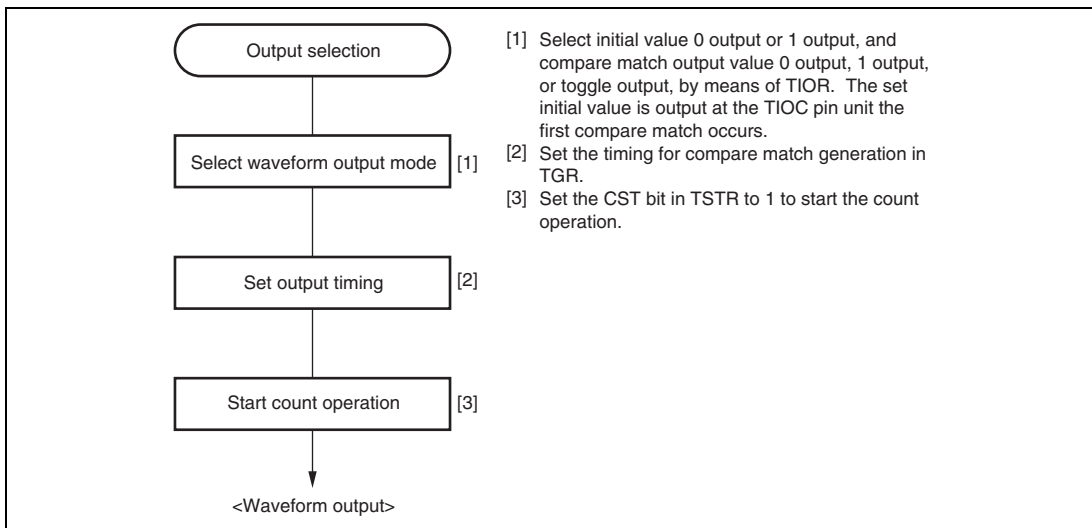


**Figure 10.4 Periodic Counter Operation**

**Waveform Output by Compare Match:** The TPU can perform 0, 1, or toggle output from the corresponding output pin using compare match.

1. Example of setting procedure for waveform output by compare match

Figure 10.5 shows an example of the setting procedure for waveform output by compare match

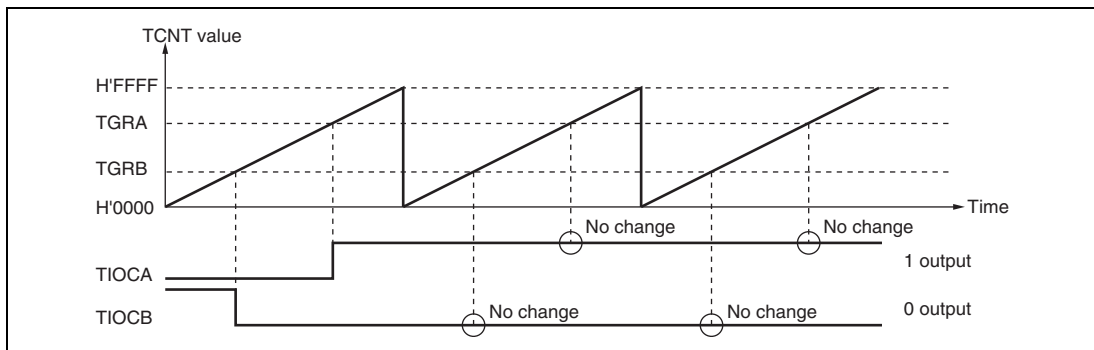


**Figure 10.5 Example of Setting Procedure for Waveform Output by Compare Match**

## 2. Examples of waveform output operation

Figure 10.6 shows an example of 0 output/1 output.

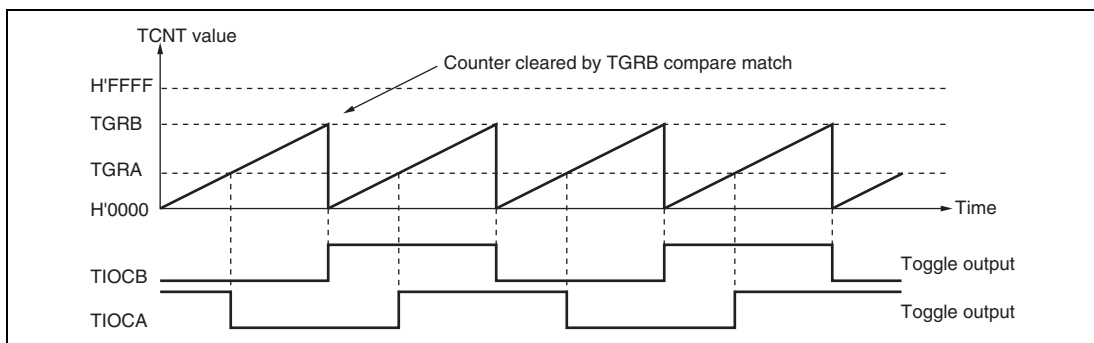
In this example TCNT has been designated as a free-running counter, and settings have been made such that 1 is output by compare match A, and 0 is output by compare match B. When the set level and the pin level coincide, the pin level does not change.



**Figure 10.6 Example of 0 Output/1 Output Operation**

Figure 10.7 shows an example of toggle output.

In this example, TCNT has been designated as a periodic counter (with counter clearing on compare match B), and settings have been made such that the output is toggled by both compare match A and compare match B.



**Figure 10.7 Example of Toggle Output Operation**

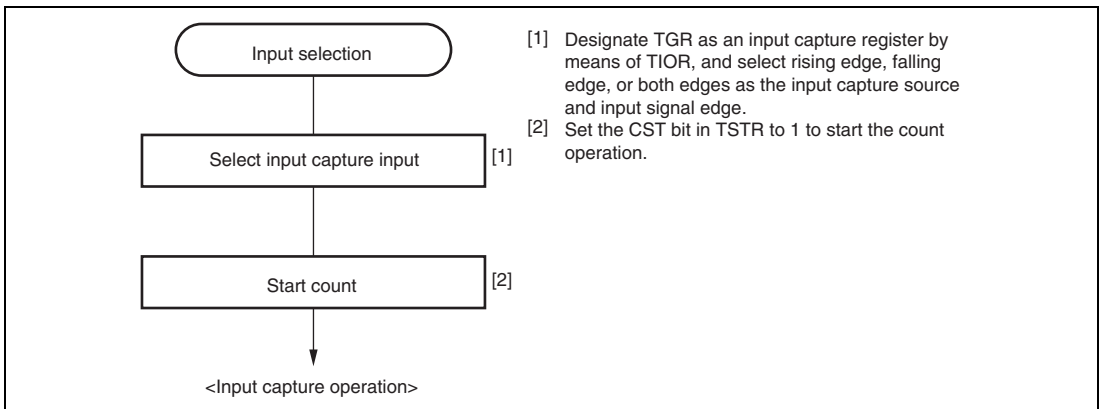
**Input Capture Function:** The TCNT value can be transferred to TGR on detection of the TIOC pin input edge.

Rising edge, falling edge, or both edges can be selected as the detected edge. For channels 0, 1, 3, and 4, it is also possible to specify another channel's counter input clock or compare match signal as the input capture source.

**Note:** When another channel's counter input clock is used as the input capture input for channels 0 and 3,  $\phi/1$  should not be selected as the counter input clock used for input capture input. Input capture will not be generated if  $\phi/1$  is selected.

#### 1. Example of input capture operation setting procedure

Figure 10.8 shows an example of the input capture operation setting procedure.

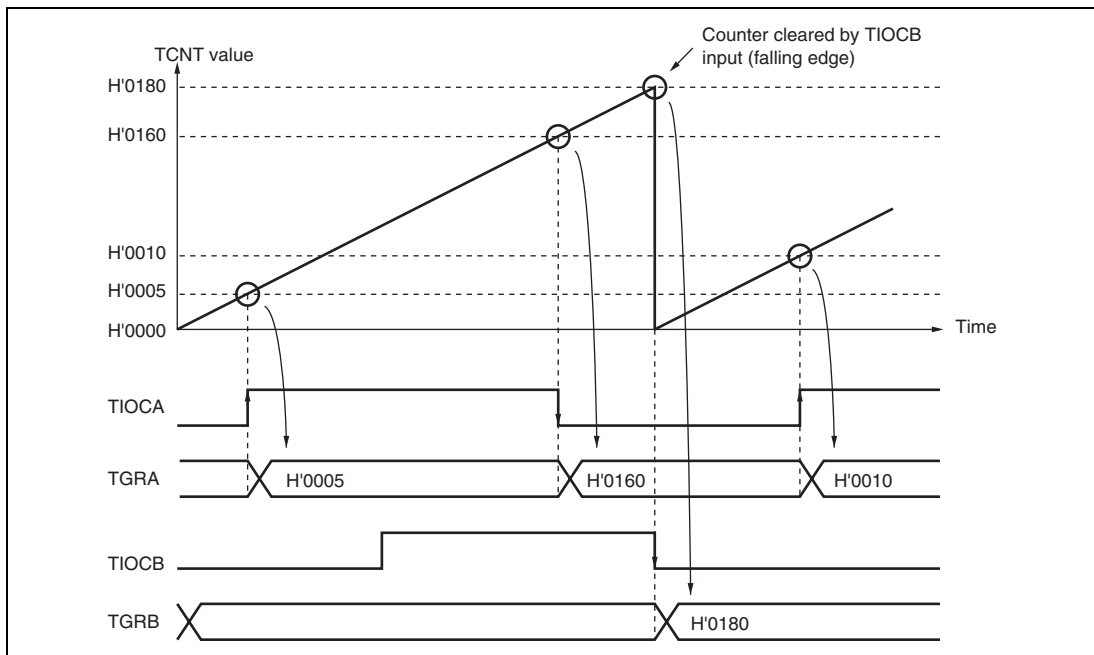


**Figure 10.8 Example of Input Capture Operation Setting Procedure**

## 2. Example of input capture operation

Figure 10.9 shows an example of input capture operation.

In this example both rising and falling edges have been selected as the TIOCA pin input capture input edge, the falling edge has been selected as the TIOCB pin input capture input edge, and counter clearing by TGRB input capture has been designated for TCNT.



**Figure 10.9 Example of Input Capture Operation**

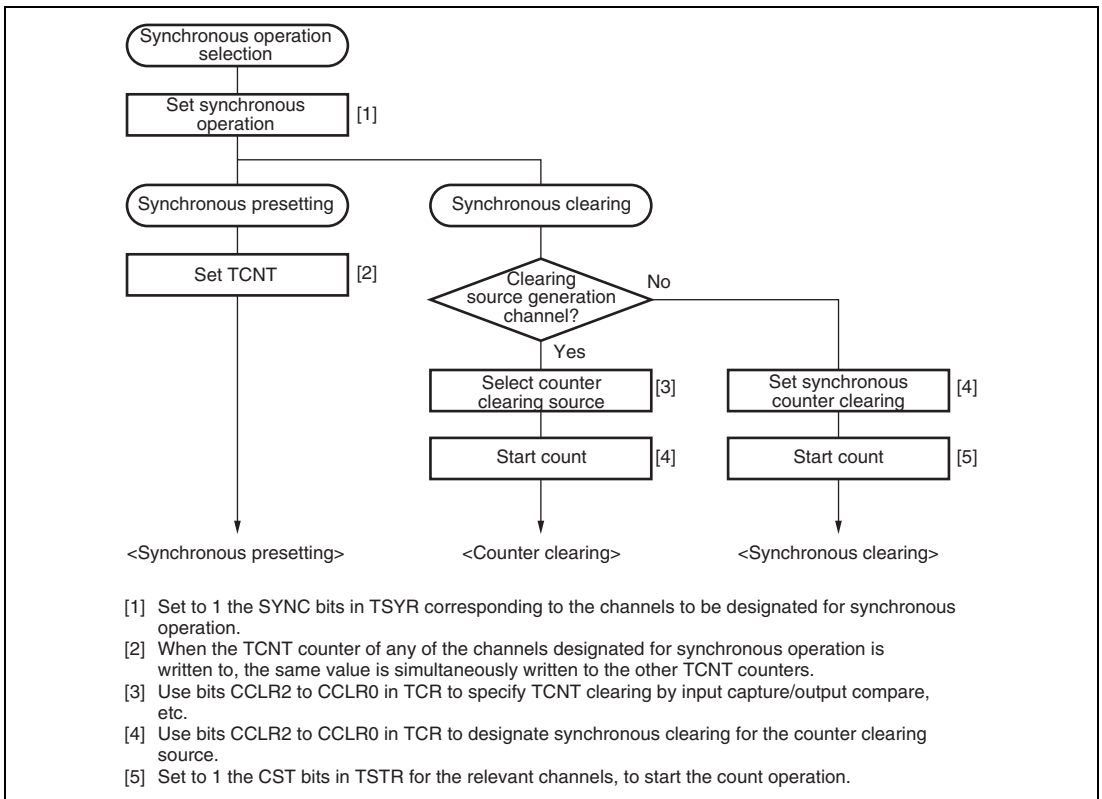
## 10.4.2 Synchronous Operation

In synchronous operation, the values in a number of TCNT counters can be rewritten simultaneously (synchronous presetting). Also, a number of TCNT counters can be cleared simultaneously by making the appropriate setting in TCR (synchronous clearing).

Synchronous operation enables TGR to be incremented with respect to a single time base.

Channels 0 to 5 can all be designated for synchronous operation.

**Example of Synchronous Operation Setting Procedure:** Figure 10.10 shows an example of the synchronous operation setting procedure.



**Figure 10.10 Example of Synchronous Operation Setting Procedure**

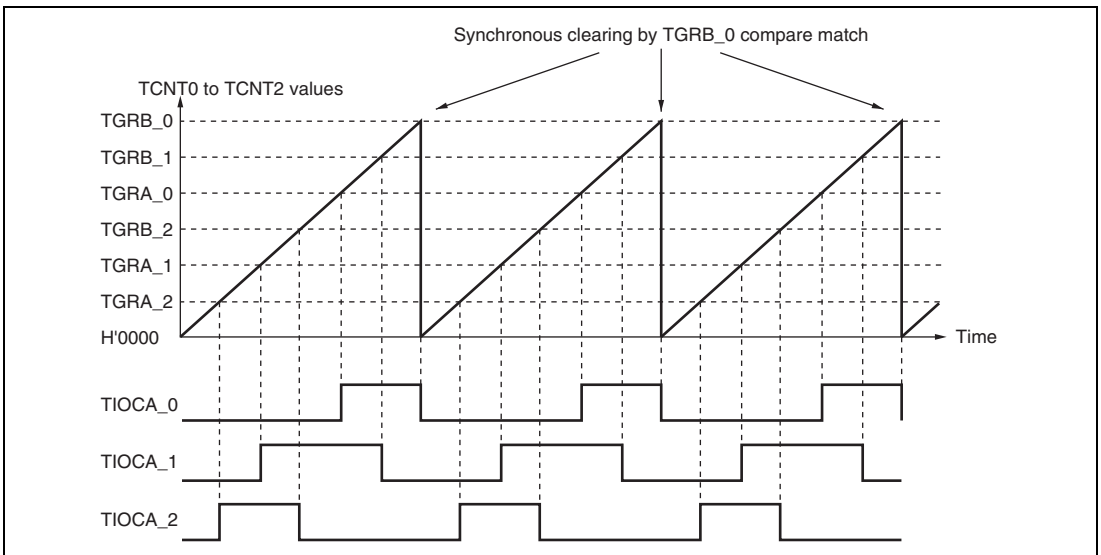


**Example of Synchronous Operation:** Figure 10.11 shows an example of synchronous operation.

In this example, synchronous operation and PWM mode 1 have been designated for channels 0 to 2, TGRB\_0 compare match has been set as the channel 0 counter clearing source, and synchronous clearing has been set for the channel 1 and 2 counter clearing source.

Three-phase PWM waveforms are output from pins TIOCA0, TIOCA1, and TIOCA2. At this time, synchronous presetting, and synchronous clearing by TGRB\_0 compare match, are performed for channel 0 to 2 TCNT counters, and the data set in TGRB\_0 is used as the PWM cycle.

For details of PWM modes, see section 10.4.5, PWM Modes.



**Figure 10.11 Example of Synchronous Operation**

### 10.4.3 Buffer Operation

Buffer operation, provided for channels 0 and 3, enables TGRC and TGRD to be used as buffer registers.

Buffer operation differs depending on whether TGR has been designated as an input capture register or as a compare match register.

Table 10.28 shows the register combinations used in buffer operation.

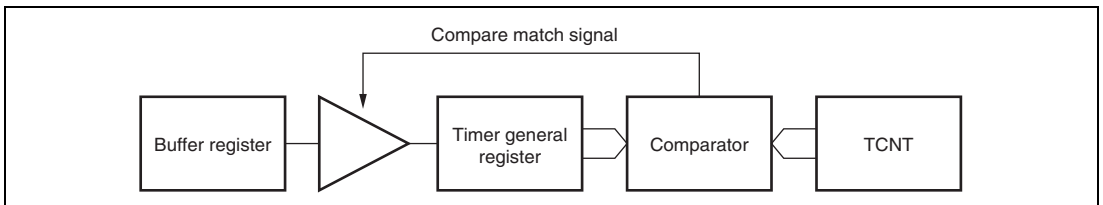
**Table 10.28 Register Combinations in Buffer Operation**

Channel	Timer General Register	Buffer Register
0	TGRA_0	TGRC_0
	TGRB_0	TGRD_0
3	TGRA_3	TGRC_3
	TGRB_3	TGRD_3

- When TGR is an output compare register

When a compare match occurs, the value in the buffer register for the corresponding channel is transferred to the timer general register.

This operation is illustrated in figure 10.12.

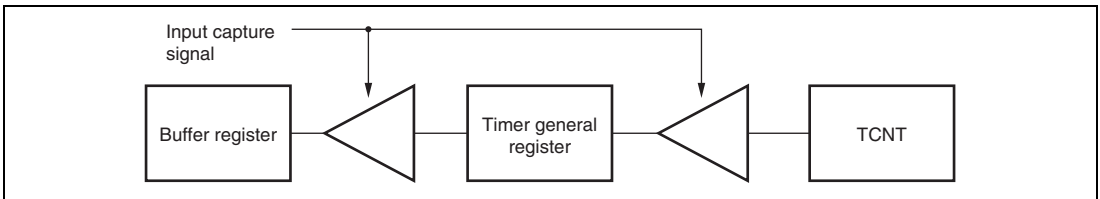


**Figure 10.12 Compare Match Buffer Operation**

- When TGR is an input capture register

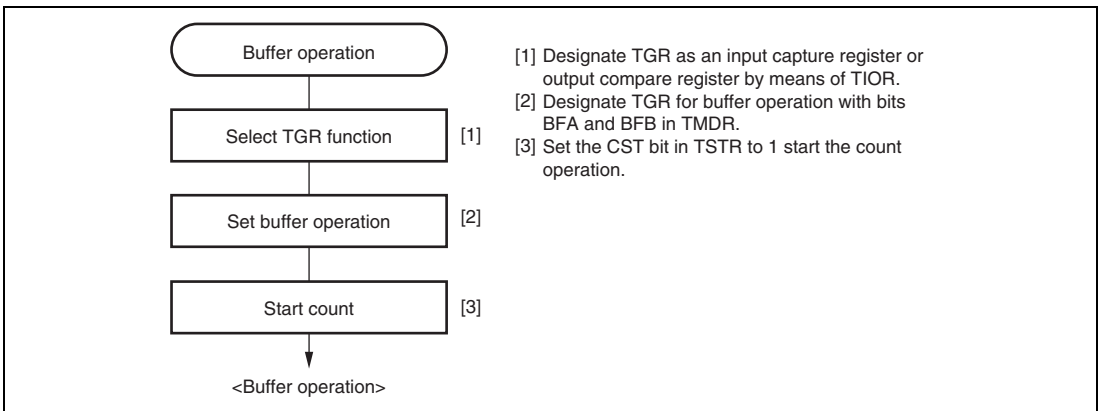
When input capture occurs, the value in TCNT is transferred to TGR and the value previously held in the timer general register is transferred to the buffer register.

This operation is illustrated in figure 10.13.



**Figure 10.13 Input Capture Buffer Operation**

**Example of Buffer Operation Setting Procedure:** Figure 10.14 shows an example of the buffer operation setting procedure.



**Figure 10.14 Example of Buffer Operation Setting Procedure**

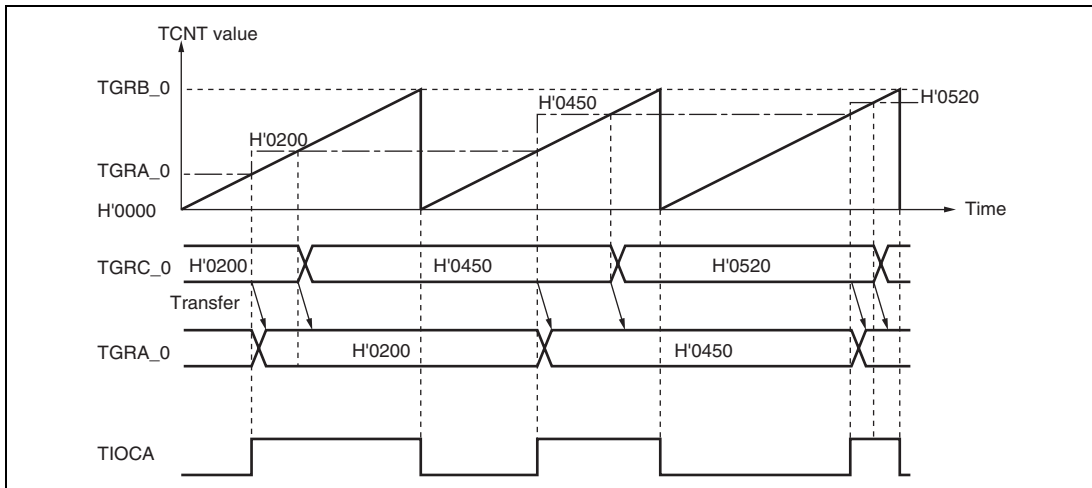
### Examples of Buffer Operation:

#### 1. When TGR is an output compare register

Figure 10.15 shows an operation example in which PWM mode 1 has been designated for channel 0, and buffer operation has been designated for TGRA and TGRC. The settings used in this example are TCNT clearing by compare match B, 1 output at compare match A, and 0 output at compare match B.

As buffer operation has been set, when compare match A occurs the output changes and the value in buffer register TGRC is simultaneously transferred to timer general register TGRA. This operation is repeated each time that compare match A occurs.

For details of PWM modes, see section 10.4.5, PWM Modes.



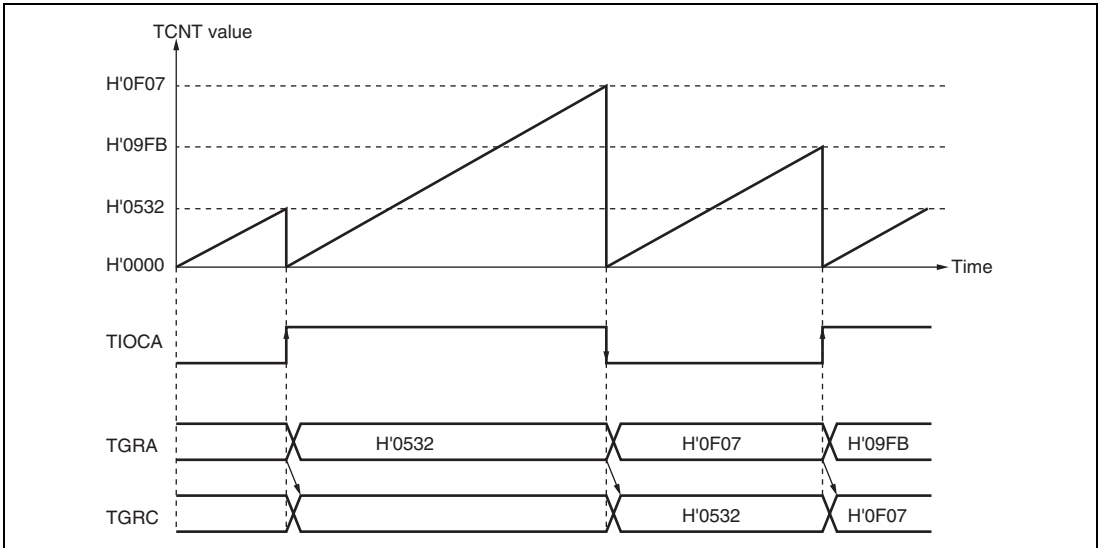
**Figure 10.15 Example of Buffer Operation (1)**

2. When TGR is an input capture register

Figure 10.16 shows an operation example in which TGRA has been designated as an input capture register, and buffer operation has been designated for TGRA and TGRC.

Counter clearing by TGRA input capture has been set for TCNT, and both rising and falling edges have been selected as the TIOCA pin input capture input edge.

As buffer operation has been set, when the TCNT value is stored in TGRA upon the occurrence of input capture A, the value previously stored in TGRA is simultaneously transferred to TGRC.



**Figure 10.16 Example of Buffer Operation (2)**

### 10.4.4 Cascaded Operation

In cascaded operation, two 16-bit counters for different channels are used together as a 32-bit counter.

This function works by counting the channel 1 (channel 4) counter clock upon overflow/underflow of TCNT\_2 (TCNT\_5) as set in bits TPSC0 to TPSC2 in TCR.

Underflow occurs only when the lower 16-bit TCNT is in phase-counting mode.

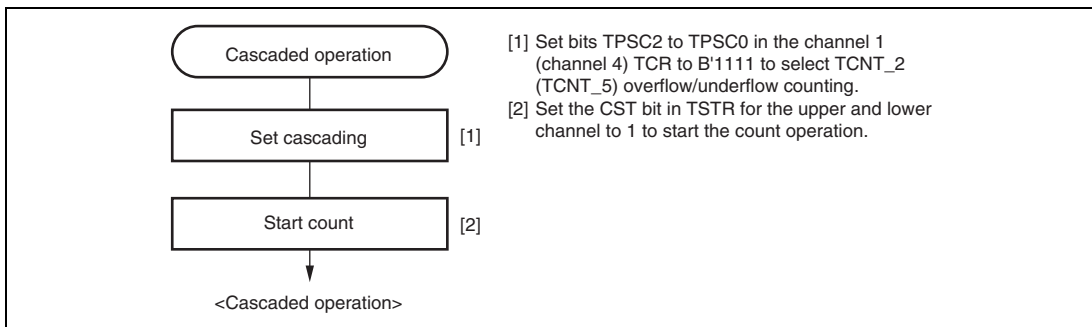
Table 10.29 shows the register combinations used in cascaded operation.

Note: When phase counting mode is set for channel 1 or 4, the counter clock setting is invalid and the counters operates independently in phase counting mode.

**Table 10.29 Cascaded Combinations**

Combination	Upper 16 Bits	Lower 16 Bits
Channels 1 and 2	TCNT_1	TCNT_2
Channels 4 and 5	TCNT_4	TCNT_5

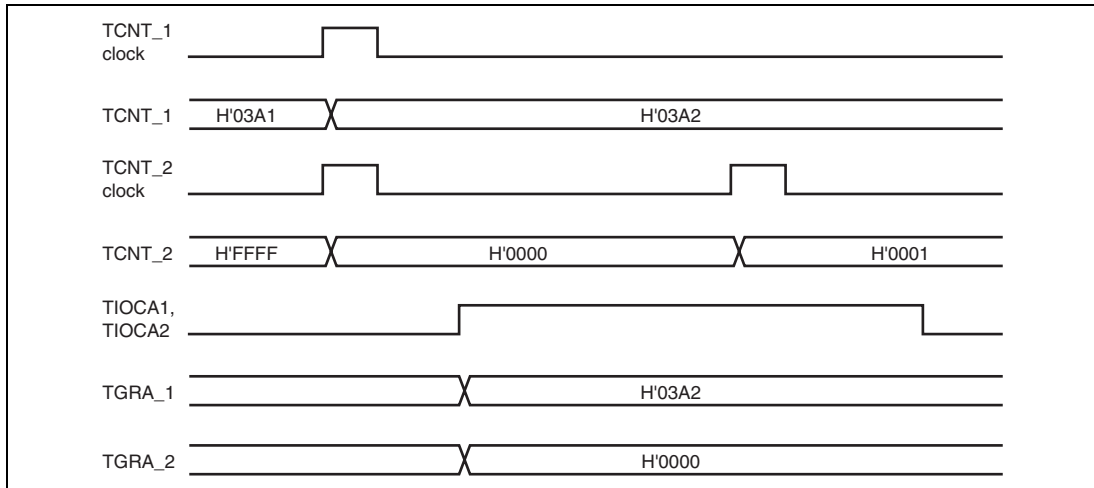
**Example of Cascaded Operation Setting Procedure:** Figure 10.17 shows an example of the setting procedure for cascaded operation.



**Figure 10.17 Cascaded Operation Setting Procedure**

**Examples of Cascaded Operation:** Figure 10.18 illustrates the operation when TCNT\_2 overflow/underflow counting has been set for TCNT\_1, when TGRA\_1 and TGRA\_2 have been designated as input capture registers, and when TIOC pin rising edge has been selected.

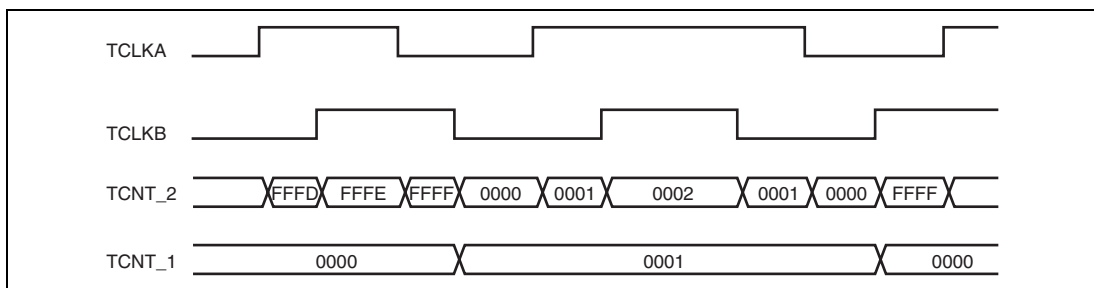
When a rising edge is input to the TIOCA1 and TIOCA2 pins simultaneously, the upper 16 bits of the 32-bit data are transferred to TGRA\_1, and the lower 16 bits to TGRA\_2.



**Figure 10.18 Example of Cascaded Operation (1)**

Figure 10.19 illustrates the operation when TCNT\_2 overflow/underflow counting has been set for TCNT\_1 and phase counting mode has been designated for channel 2.

TCNT\_1 is incremented by TCNT\_2 overflow and decremented by TCNT\_2 underflow.



**Figure 10.19 Example of Cascaded Operation (2)**

### 10.4.5 PWM Modes

In PWM mode, PWM waveforms are output from the output pins. The output level can be selected as 0, 1, or toggle output in response to a compare match of each TGR.

TGR registers settings can be used to output a PWM waveform in the range of 0% to 100% duty cycle.

Designating TGR compare match as the counter clearing source enables the period to be set in that register. All channels can be designated for PWM mode independently. Synchronous operation is also possible.

There are two PWM modes, as described below.

- PWM mode 1

PWM output is generated from the TIOCA and TIOCC pins by pairing TGRA with TGRB and TGRC with TGRD. The output specified by bits IOA0 to IOA3 and IOC0 to IOC3 in TIOR is output from the TIOCA and TIOCC pins at compare matches A and C, and the output specified by bits IOB0 to IOB3 and IOD0 to IOD3 in TIOR is output at compare matches B and D. The initial output value is the value set in TGRA or TGRC. If the set values of paired TGRs are identical, the output value does not change when a compare match occurs.

In PWM mode 1, a maximum 8-phase PWM output is possible.

- PWM mode 2

PWM output is generated using one TGR as the cycle register and the others as duty cycle registers. The output specified in TIOR is performed by means of compare matches. Upon counter clearing by a synchronization register compare match, the output value of each pin is the initial value set in TIOR. If the set values of the cycle and duty cycle registers are identical, the output value does not change when a compare match occurs.

In PWM mode 2, a maximum 15-phase PWM output is possible in combination use with synchronous operation.

The correspondence between PWM output pins and registers is shown in table 10.30.

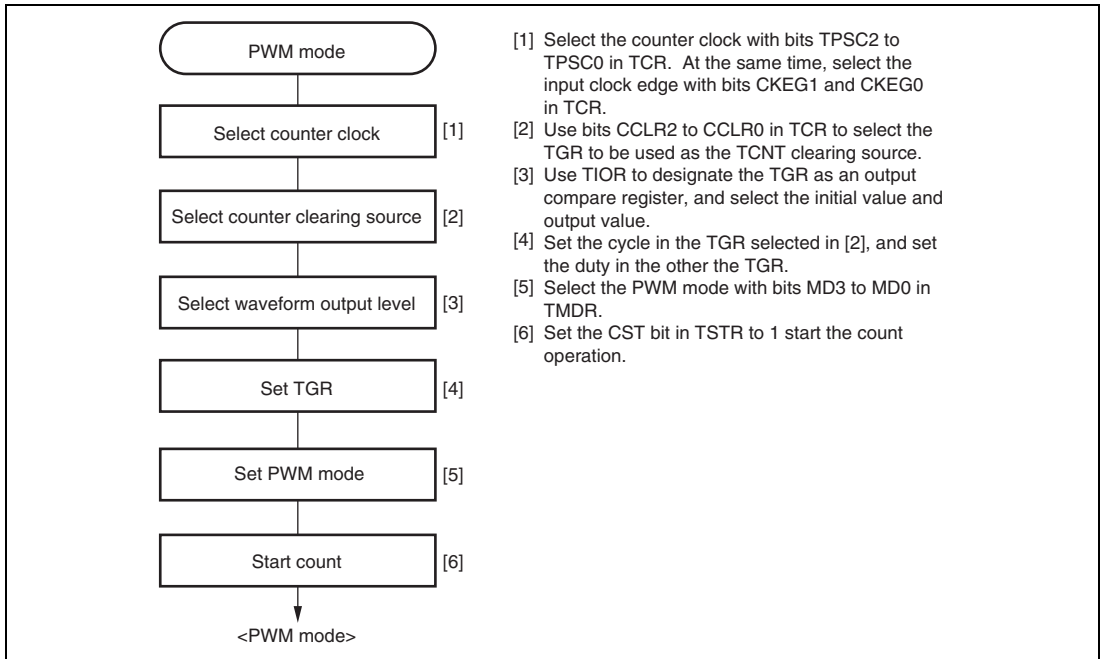


**Table 10.30 PWM Output Registers and Output Pins**

Channel	Registers	Output Pins	
		PWM Mode 1	PWM Mode 2
0	TGRA_0	TIOCA0	TIOCA0
	TGRB_0		TIOCB0
	TGRC_0	TIOCC0	TIOCC0
	TGRD_0		TIOCD0
1	TGRA_1	TIOCA1	TIOCA1
	TGRB_1		TIOCB1
2	TGRA_2	TIOCA2	TIOCA2
	TGRB_2		TIOCB2
3	TGRA_3	TIOCA3	TIOCA3
	TGRB_3		TIOCB3
	TGRC_3	TIOCC3	TIOCC3
	TGRD_3		TIOCD3
4	TGR4A_4	TIOCA4	TIOCA4
	TGR4B_4		TIOCB4
5	TGRA_5	TIOCA5	TIOCA5
	TGRB_5		TIOCB5

Note: \* In PWM mode 2, PWM output is not possible for the TGR register in which the period is set.

**Example of PWM Mode Setting Procedure:** Figure 10.20 shows an example of the PWM mode setting procedure.

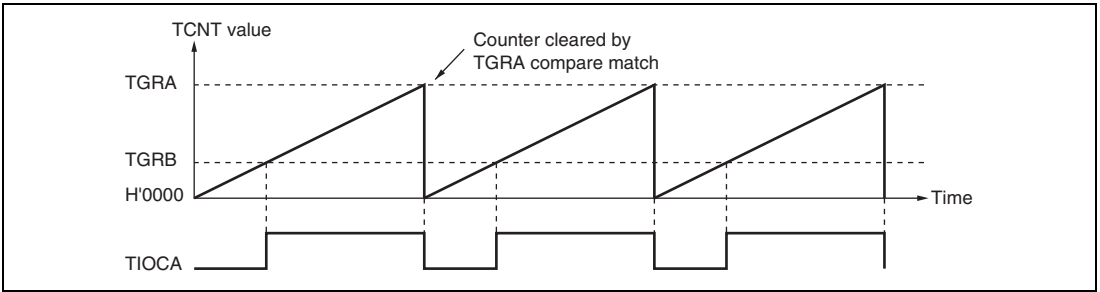


**Figure 10.20 Example of PWM Mode Setting Procedure**

**Examples of PWM Mode Operation:** Figure 10.21 shows an example of PWM mode 1 operation.

In this example, TGRA compare match is set as the TCNT clearing source, 0 is set for the TGRA initial output value and output value, and 1 is set as the TGRB output value.

In this case, the value set in TGRA is used as the period, and the values set in the TGRB registers are used as the duty cycle levels.

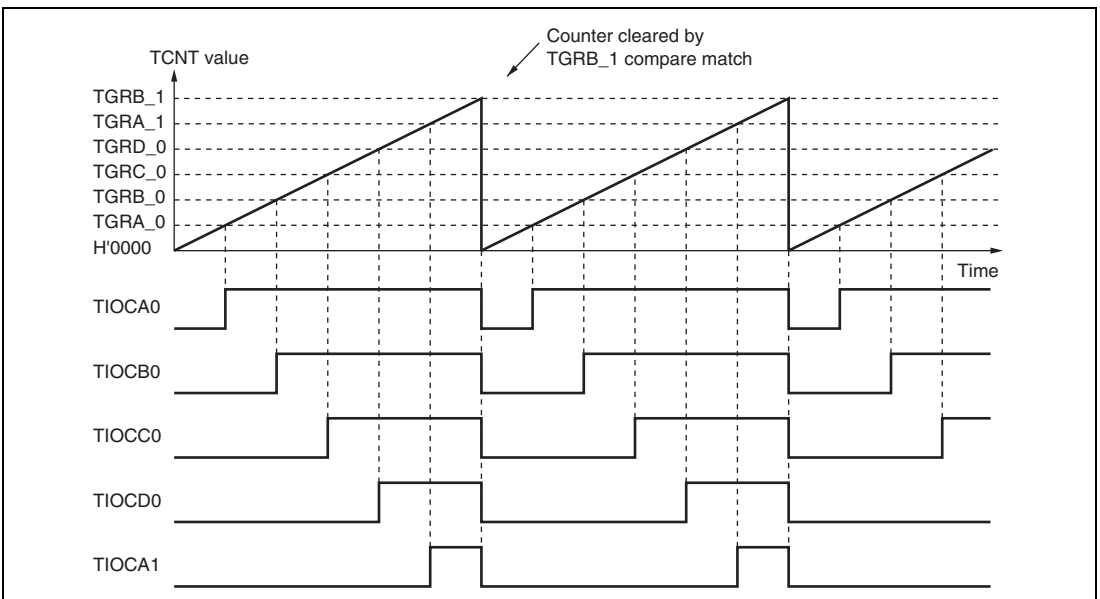


**Figure 10.21 Example of PWM Mode Operation (1)**

Figure 10.22 shows an example of PWM mode 2 operation.

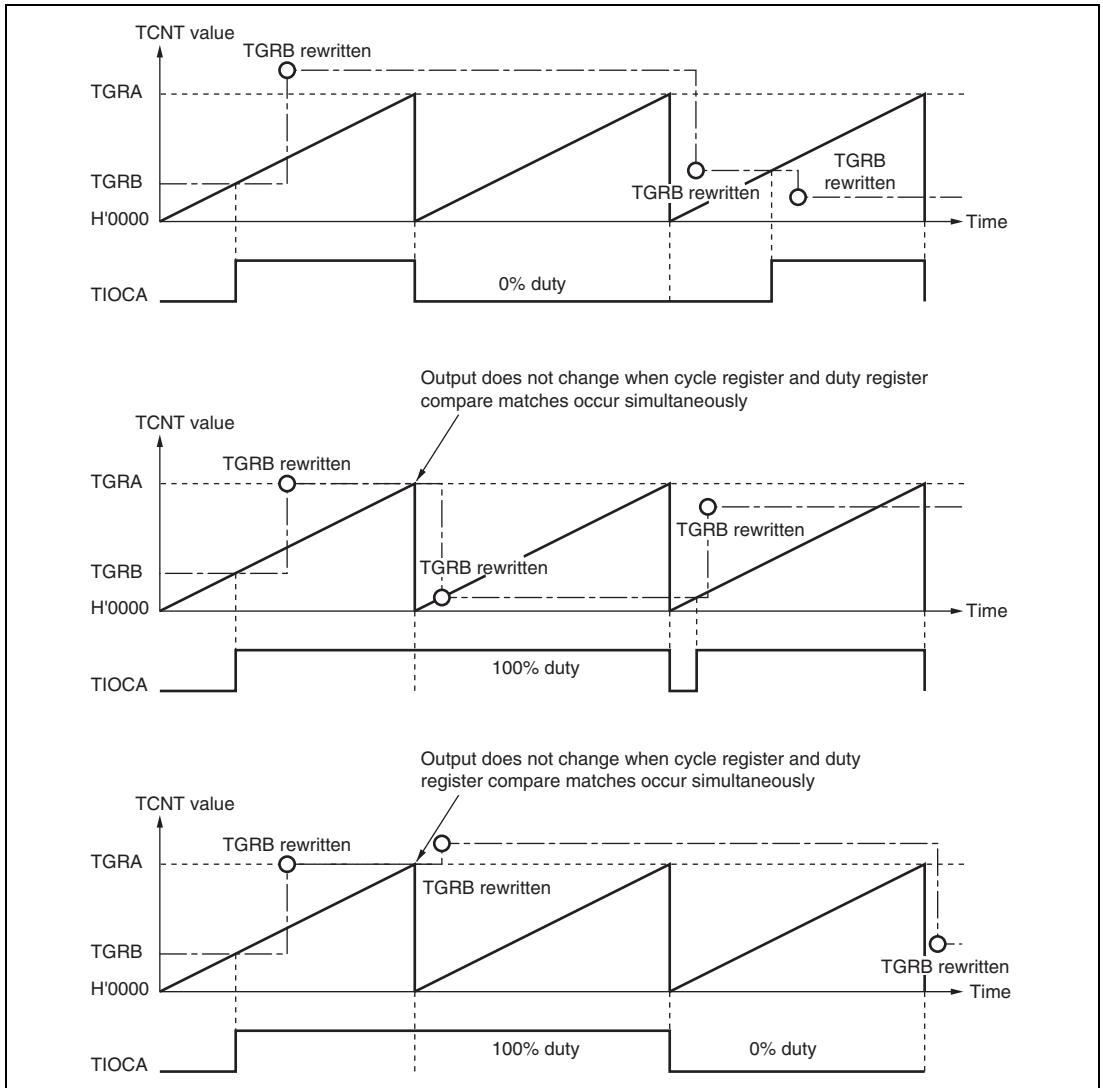
In this example, synchronous operation is designated for channels 0 and 1, TGRB\_1 compare match is set as the TCNT clearing source, and 0 is set for the initial output value and 1 for the output value of the other TGR registers (TGRA\_0 to TGRD\_0, TGRA\_1), outputting a 5-phase PWM waveform.

In this case, the value set in TGRB\_1 is used as the cycle, and the values set in the other TGRs are used as the duty cycle levels.



**Figure 10.22 Example of PWM Mode Operation (2)**

Figure 10.23 shows examples of PWM waveform output with 0% duty cycle and 100% duty cycle in PWM mode.



**Figure 10.23 Example of PWM Mode Operation (3)**

### 10.4.6 Phase Counting Mode

In phase counting mode, the phase difference between two external clock inputs is detected and TCNT is incremented/decremented accordingly. This mode can be set for channels 1, 2, 4, and 5.

When phase counting mode is set, an external clock is selected as the counter input clock and TCNT operates as an up/down-counter regardless of the setting of bits TPSC0 to TPSC2 and bits CKEG0 and CKEG1 in TCR. However, the functions of bits CCLR0 and CCLR1 in TCR, and of TIOR, TIER, and TGR, are valid, and input capture/compare match and interrupt functions can be used.

This can be used for two-phase encoder pulse input.

If overflow occurs when TCNT is counting up, the TCFV flag in TSR is set; if underflow occurs when TCNT is counting down, the TCFU flag is set.

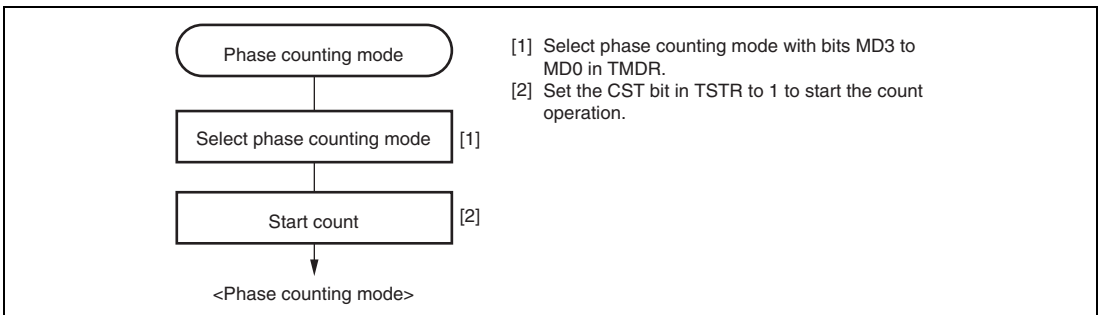
The TCFD bit in TSR is the count direction flag. Reading the TCFD flag reveals whether TCNT is counting up or down.

Table 10.31 shows the correspondence between external clock pins and channels.

**Table 10.31 Phase Counting Mode Clock Input Pins**

Channels	External Clock Pins	
	A-Phase	B-Phase
When channel 1 or 5 is set to phase counting mode	TCLKA	TCLKB
When channel 2 or 4 is set to phase counting mode	TCLKC	TCLKD

**Example of Phase Counting Mode Setting Procedure:** Figure 10.24 shows an example of the phase counting mode setting procedure.

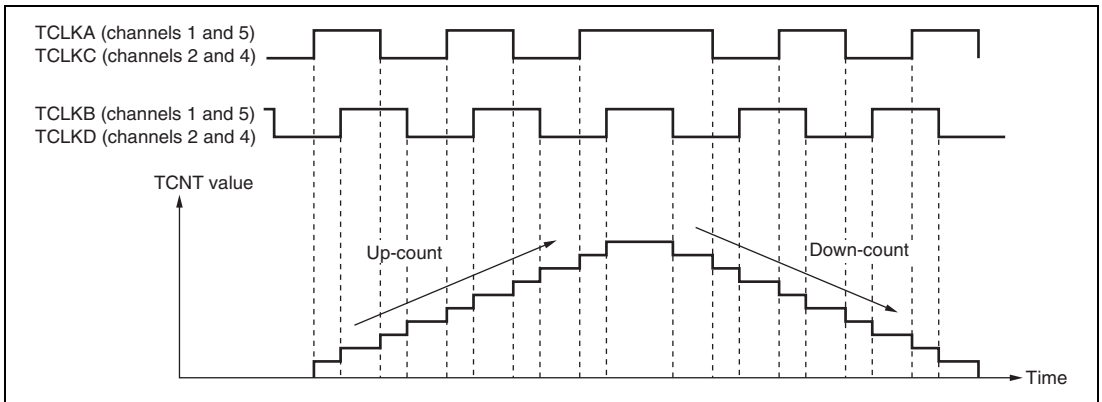


**Figure 10.24 Example of Phase Counting Mode Setting Procedure**

**Examples of Phase Counting Mode Operation:** In phase counting mode, TCNT counts up or down according to the phase difference between two external clocks. There are four modes, according to the count conditions.

### 1. Phase counting mode 1

Figure 10.25 shows an example of phase counting mode 1 operation, and table 10.32 summarizes the TCNT up/down-count conditions.



**Figure 10.25 Example of Phase Counting Mode 1 Operation**

**Table 10.32 Up/Down-Count Conditions in Phase Counting Mode 1**

TCLKA (Channels 1 and 5) TCLKC (Channels 2 and 4)	TCLKB (Channels 1 and 5) TCLKD (Channels 2 and 4)	Operation
High level		Up-count
Low level		
	Low level	
	High level	
High level		Down-count
Low level		
	High level	
	Low level	

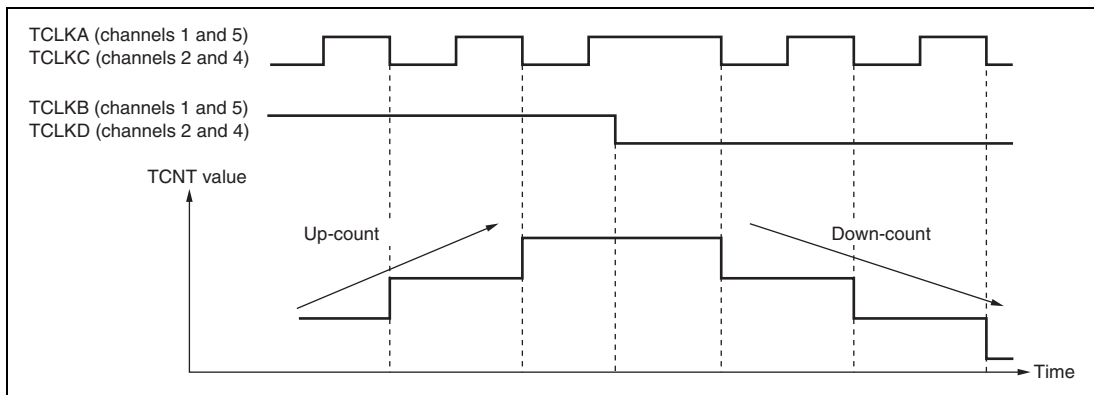
[Legend]

: Rising edge

: Falling edge

## 2. Phase counting mode 2

Figure 10.26 shows an example of phase counting mode 2 operation, and table 10.33 summarizes the TCNT up/down-count conditions.



**Figure 10.26 Example of Phase Counting Mode 2 Operation**

**Table 10.33 Up/Down-Count Conditions in Phase Counting Mode 2**

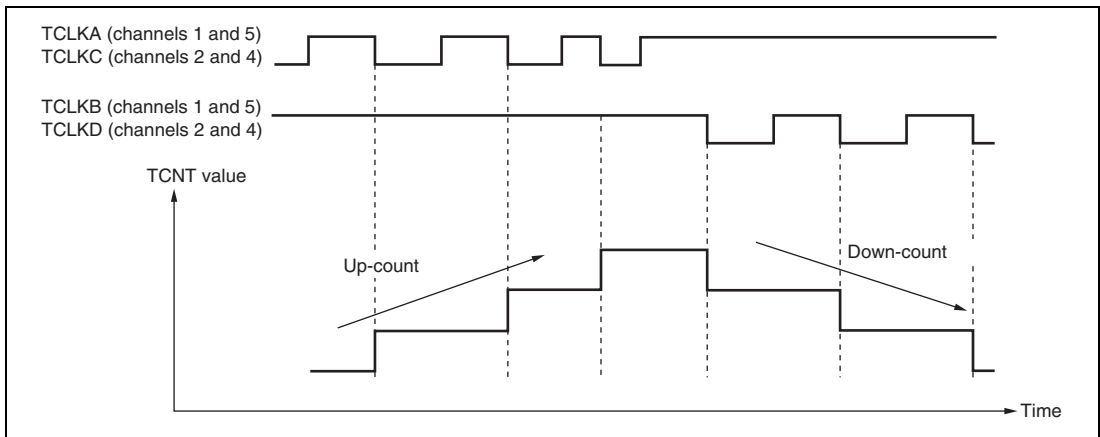
TCLKA (Channels 1 and 5) TCLKC (Channels 2 and 4)	TCLKB (Channels 1 and 5) TCLKD (Channels 2 and 4)	Operation
High level	$\uparrow$	Don't care
Low level	$\downarrow$	Don't care
$\uparrow$	Low level	Don't care
$\downarrow$	High level	Up-count
High level	$\downarrow$	Don't care
Low level	$\uparrow$	Don't care
$\uparrow$	High level	Don't care
$\downarrow$	Low level	Down-count

[Legend]

$\uparrow$  : Rising edge  
 $\downarrow$  : Falling edge

## 3. Phase counting mode 3

Figure 10.27 shows an example of phase counting mode 3 operation, and table 10.34 summarizes the TCNT up/down-count conditions.



**Figure 10.27 Example of Phase Counting Mode 3 Operation**

**Table 10.34 Up/Down-Count Conditions in Phase Counting Mode 3**

TCLKA (Channels 1 and 5) TCLKC (Channels 2 and 4)	TCLKB (Channels 1 and 5) TCLKD (Channels 2 and 4)	Operation
High level	$\uparrow$	Don't care
Low level	$\downarrow$	Don't care
$\uparrow$	Low level	Don't care
$\downarrow$	High level	Up-count
High level	$\downarrow$	Down-count
Low level	$\uparrow$	Don't care
$\uparrow$	High level	Don't care
$\downarrow$	Low level	Don't care

[Legend]

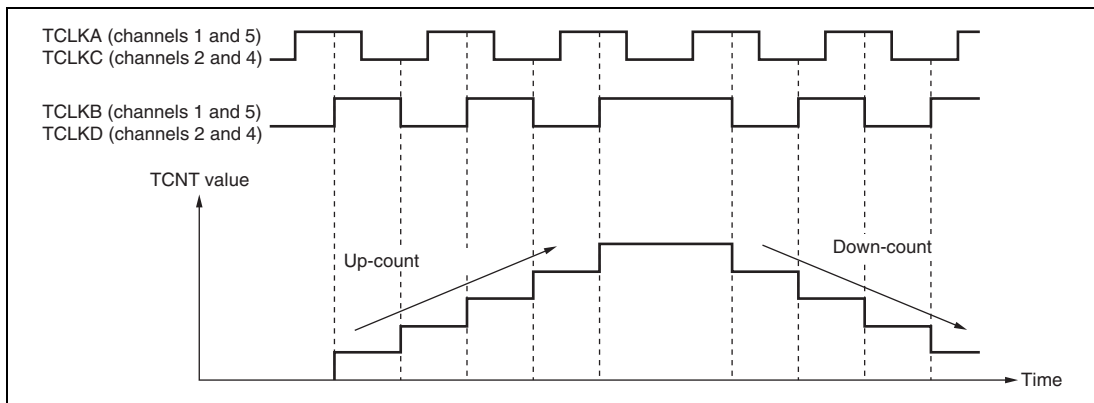
$\uparrow$  : Rising edge

$\downarrow$  : Falling edge



## 4. Phase counting mode 4

Figure 10.28 shows an example of phase counting mode 4 operation, and table 10.35 summarizes the TCNT up/down-count conditions.



**Figure 10.28 Example of Phase Counting Mode 4 Operation**

**Table 10.35 Up/Down-Count Conditions in Phase Counting Mode 4**

TCLKA (Channels 1 and 5) TCLKC (Channels 2 and 4)	TCLKB (Channels 1 and 5) TCLKD (Channels 2 and 4)	Operation
High level	$\uparrow$	Up-count
Low level	$\downarrow$	Up-count
$\uparrow$	Low level	Don't care
$\downarrow$	High level	Don't care
High level	$\downarrow$	Down-count
Low level	$\uparrow$	Down-count
$\uparrow$	High level	Don't care
$\downarrow$	Low level	Don't care

[Legend]

$\uparrow$  : Rising edge

$\downarrow$  : Falling edge

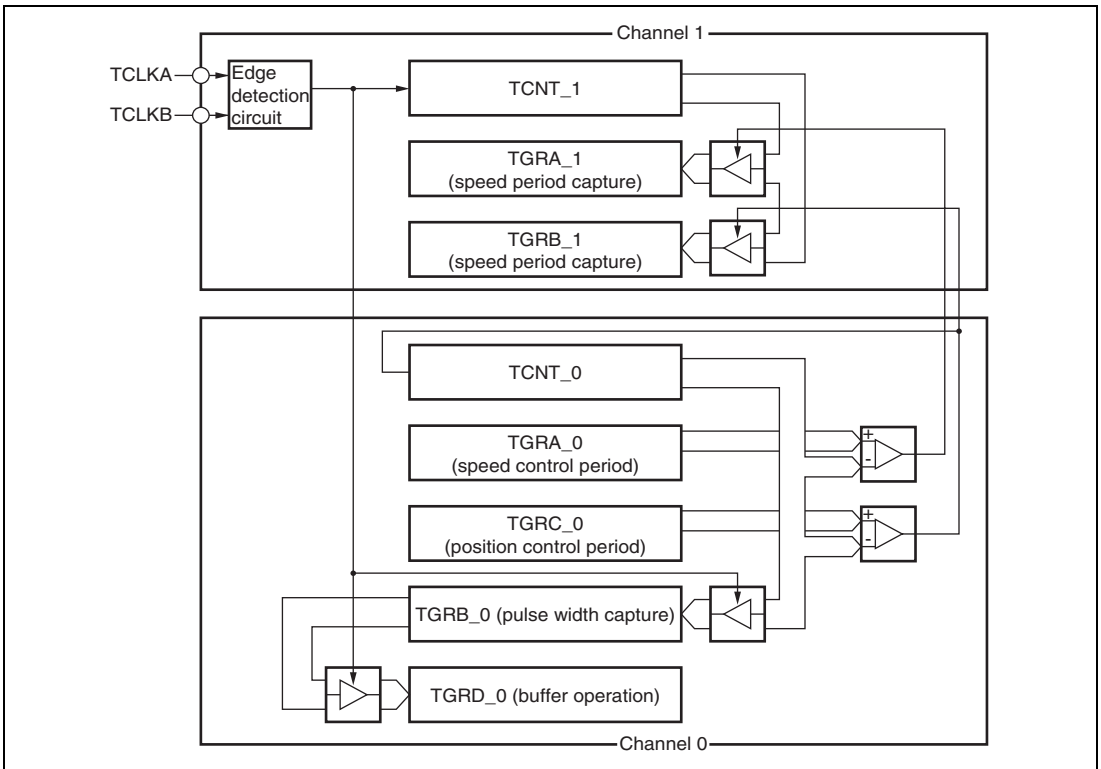
**Phase Counting Mode Application Example:** Figure 10.29 shows an example in which channel 1 is in phase counting mode, and channel 1 is coupled with channel 0 to input servo motor 2-phase encoder pulses in order to detect position or speed.

Channel 1 is set to phase counting mode 1, and the encoder pulse A-phase and B-phase are input to TCLKA and TCLKB.

Channel 0 operates with TCNT counter clearing by TGRC\_0 compare match; TGRA\_0 and TGRC\_0 are used for the compare match function and are set with the speed control period and position control period. TGRB\_0 is used for input capture, with TGRB\_0 and TGRD\_0 operating in buffer mode. The channel 1 counter input clock is designated as the TGRB\_0 input capture source, and the pulse widths of 2-phase encoder 4-multiplication pulses are detected.

TGRA\_1 and TGRB\_1 for channel 1 are designated for input capture, and channel 0 TGRA\_0 and TGRC\_0 compare matches are selected as the input capture source and store the up/down-counter values for the control periods.

This procedure enables the accurate detection of position and speed.



**Figure 10.29 Phase Counting Mode Application Example**

## 10.5 Interrupt Sources

There are three kinds of TPU interrupt source; TGR input capture/compare match, TCNT overflow, and TCNT underflow. Each interrupt source has its own status flag and enable/disable bit, allowing the generation of interrupt request signals to be enabled or disabled individually.

When an interrupt request is generated, the corresponding status flag in TSR is set to 1. If the corresponding enable/disable bit in TIER is set to 1 at this time, an interrupt is requested. The interrupt request is cleared by clearing the status flag to 0.

Relative channel priorities can be changed by the interrupt controller, however the priority order within a channel is fixed. For details, see section 5, Interrupt Controller.

Table 10.36 lists the TPU interrupt sources.

**Table 10.36 TPU Interrupts**

Channel	Name	Interrupt Source	Interrupt Flag	DTC Activation
0	TGIA_0	TGRA_0 input capture/compare match	TGFA_0	Possible
	TGIB_0	TGRB_0 input capture/compare match	TGFB_0	Possible
	TGIC_0	TGRC_0 input capture/compare match	TGFC_0	Possible
	TGID_0	TGRD_0 input capture/compare match	TGFD_0	Possible
	TCIV_0	TCNT_0 overflow	TCFV_0	Not possible
1	TGIA_1	TGRA_1 input capture/compare match	TGFA_1	Possible
	TGIB_1	TGRB_1 input capture/compare match	TGFB_1	Possible
	TCIV_1	TCNT_1 overflow	TCFV_1	Not possible
	TCIU_1	TCNT_1 underflow	TCFU_1	Not possible
2	TGIA_2	TGRA_2 input capture/compare match	TGFA_2	Possible
	TGIB_2	TGRB_2 input capture/compare match	TGFB_2	Possible
	TCIV_2	TCNT_2 overflow	TCFV_2	Not possible
	TCIU_2	TCNT_2 underflow	TCFU_2	Not possible
3	TGIA_3	TGRA_3 input capture/compare match	TGFA_3	Possible
	TGIB_3	TGRB_3 input capture/compare match	TGFB_3	Possible
	TGIC_3	TGRC_3 input capture/compare match	TGFC_3	Possible
	TGID_3	TGRD_3 input capture/compare match	TGFD_3	Possible
	TCIV_3	TCNT_3 overflow	TCFV_3	Not possible
4	TGIA_4	TGRA_4 input capture/compare match	TGFA_4	Possible
	TGIB_4	TGRB_4 input capture/compare match	TGFB_4	Possible
	TCIV_4	TCNT_4 overflow	TCFV_4	Not possible
	TCIU_4	TCNT_4 underflow	TCFU_4	Not possible
5	TGIA_5	TGRA_5 input capture/compare match	TGFA_5	Possible
	TGIB_5	TGRB_5 input capture/compare match	TGFB_5	Possible
	TCIV_5	TCNT_5 overflow	TCFV_5	Not possible
	TCIU_5	TCNT_5 underflow	TCFU_5	Not possible

Note: \* This table shows the initial state immediately after a reset. The relative channel priorities can be changed by the interrupt controller.

**Input Capture/Compare Match Interrupt:** An interrupt is requested if the TGIE bit in TIER is set to 1 when the TGF flag in TSR is set to 1 by the occurrence of a TGR input capture/compare match on a particular channel. The interrupt request is cleared by clearing the TGF flag to 0. The TPU has 16 input capture/compare match interrupts, four each for channels 0 and 3, and two each for channels 1, 2, 4, and 5.

**Overflow Interrupt:** An interrupt is requested if the TCIEV bit in TIER is set to 1 when the TCFV flag in TSR is set to 1 by the occurrence of TCNT overflow on a channel. The interrupt request is cleared by clearing the TCFV flag to 0. The TPU has six overflow interrupts, one for each channel.

**Underflow Interrupt:** An interrupt is requested if the TCIEU bit in TIER is set to 1 when the TCFU flag in TSR is set to 1 by the occurrence of TCNT underflow on a channel. The interrupt request is cleared by clearing the TCFU flag to 0. The TPU has four underflow interrupts, one each for channels 1, 2, 4, and 5.

## 10.6 DTC Activation

The DTC can be activated by the TGR input capture/compare match interrupt for a channel. For details, see section 8, Data Transfer Controller (DTC).

A total of 16 TPU input capture/compare match interrupts can be used as DTC activation sources, four each for channels 0 and 3, and two each for channels 1, 2, 4, and 5.

## 10.7 A/D Converter Activation

The A/D converter can be activated by the TGRA input capture/compare match for a channel.

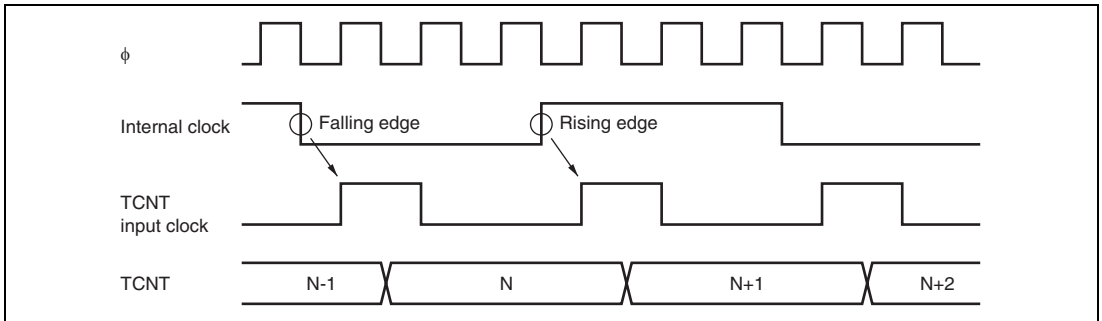
If the TTGE bit in TIER is set to 1 when the TGFA flag in TSR is set to 1 by the occurrence of a TGRA input capture/compare match on a particular channel, a request to begin A/D conversion is sent to the A/D converter. If the TPU conversion start trigger has been selected on the A/D converter side at this time, A/D conversion is begun.

In the TPU, a total of six TGRA input capture/compare match interrupts can be used as A/D converter conversion start sources, one for each channel.

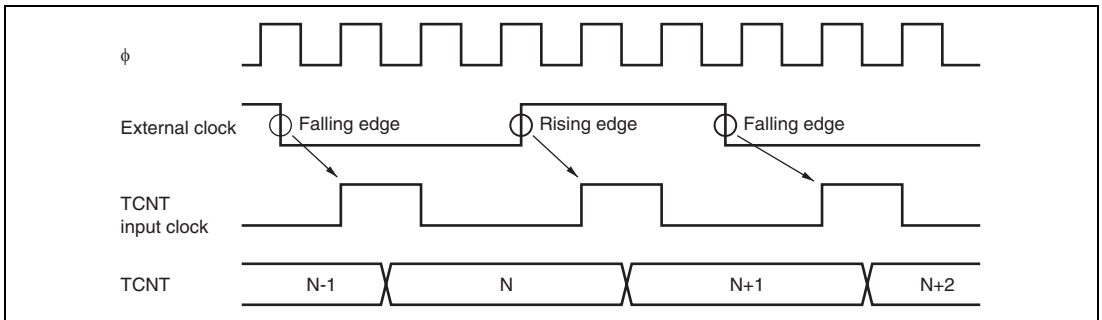
## 10.8 Operation Timing

### 10.8.1 Input/Output Timing

**TCNT Count Timing:** Figure 10.30 shows TCNT count timing in internal clock operation, and figure 10.31 shows TCNT count timing in external clock operation.



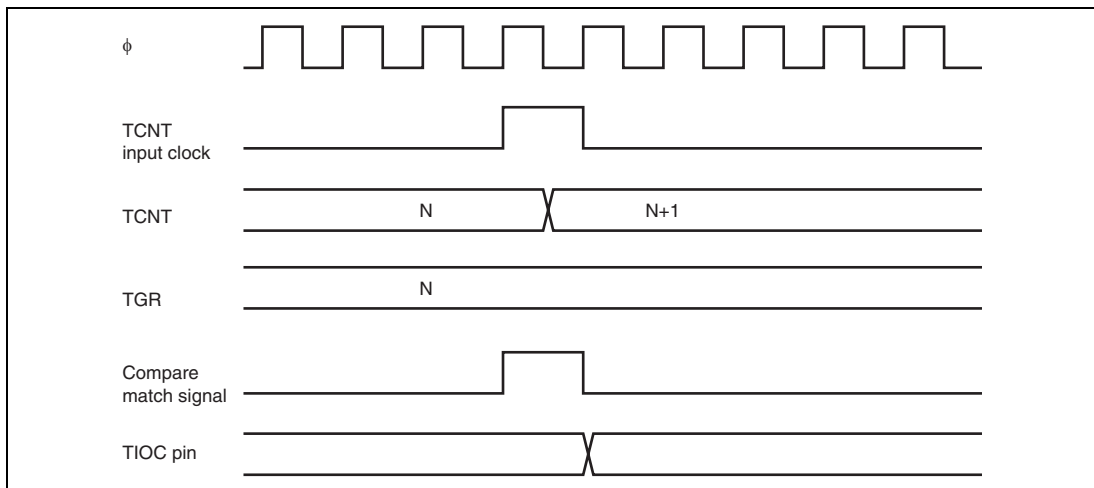
**Figure 10.30 Count Timing in Internal Clock Operation**



**Figure 10.31 Count Timing in External Clock Operation**

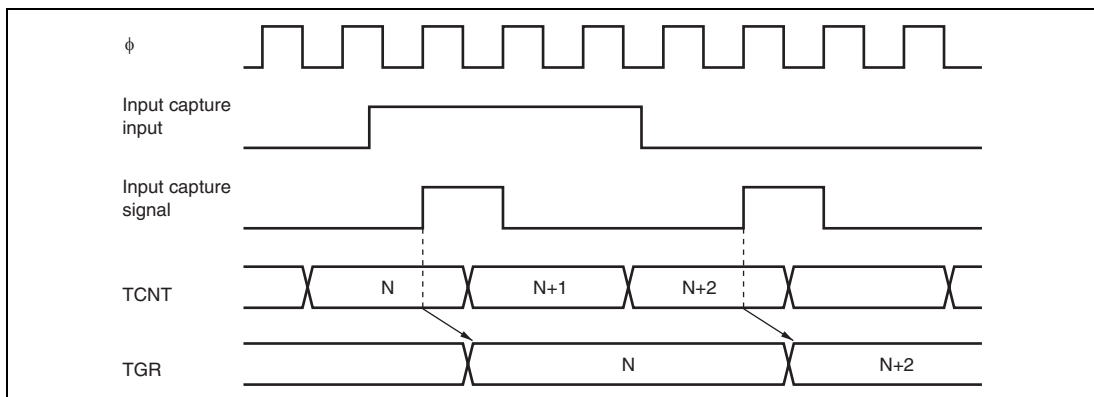
**Output Compare Output Timing:** A compare match signal is generated in the final state in which TCNT and TGR match (the point at which the count value matched by TCNT is updated). When a compare match signal is generated, the output value set in TIOR is output at the output compare output pin. After a match between TCNT and TGR, the compare match signal is not generated until the TCNT input clock is generated.

Figure 10.32 shows output compare output timing.



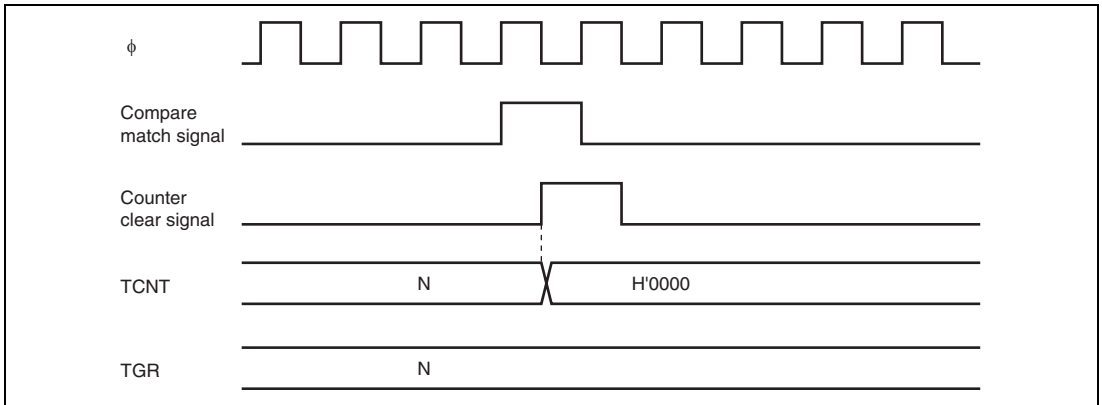
**Figure 10.32 Output Compare Output Timing**

**Input Capture Signal Timing:** Figure 10.33 shows input capture signal timing.

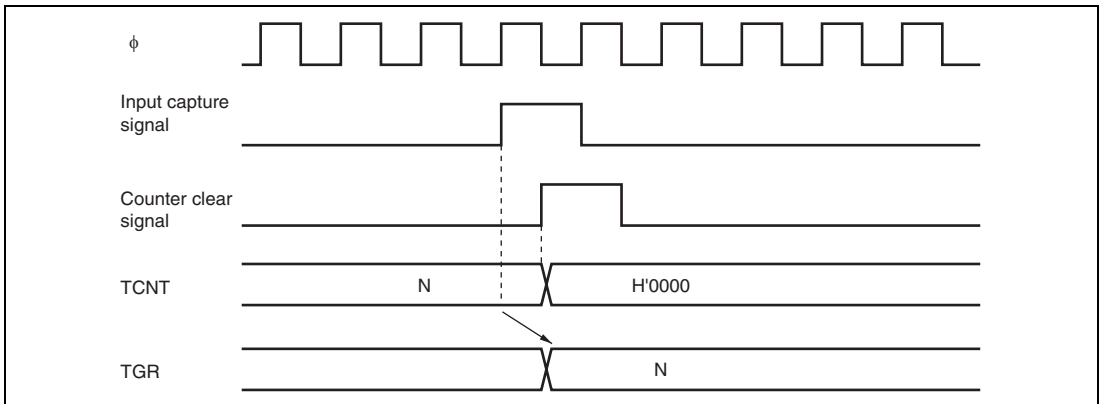


**Figure 10.33 Input Capture Input Signal Timing**

**Timing for Counter Clearing by Compare Match/Input Capture:** Figure 10.34 shows the timing when counter clearing on compare match is specified, and figure 10.35 shows the timing when counter clearing on input capture is specified.



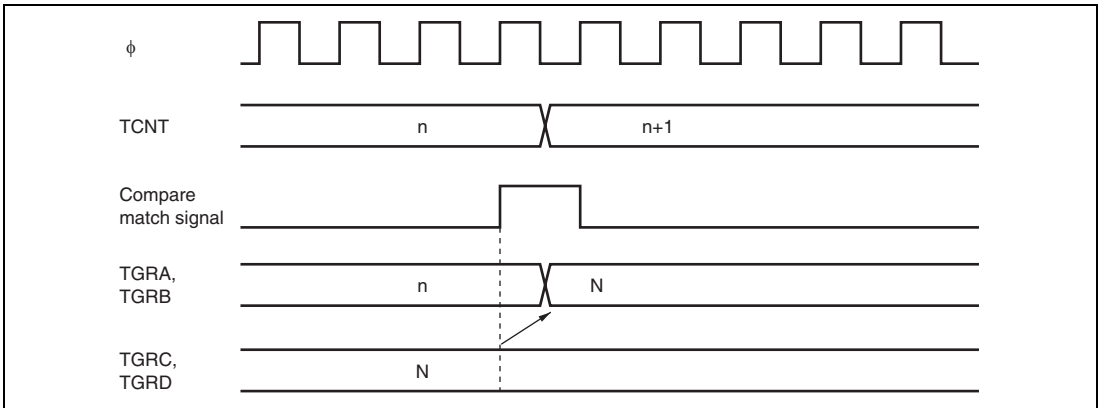
**Figure 10.34 Counter Clear Timing (Compare Match)**



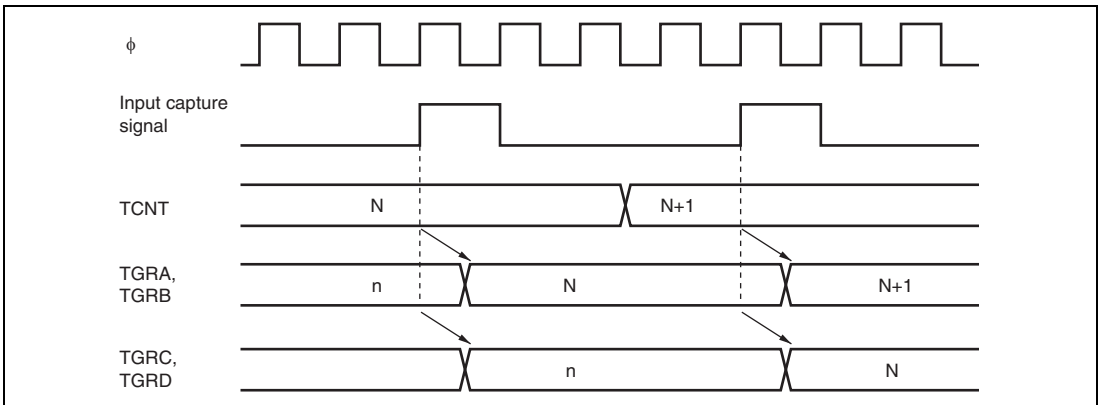
**Figure 10.35 Counter Clear Timing (Input Capture)**



**Buffer Operation Timing:** Figures 10.36 and 10.37 show the timing in buffer operation.



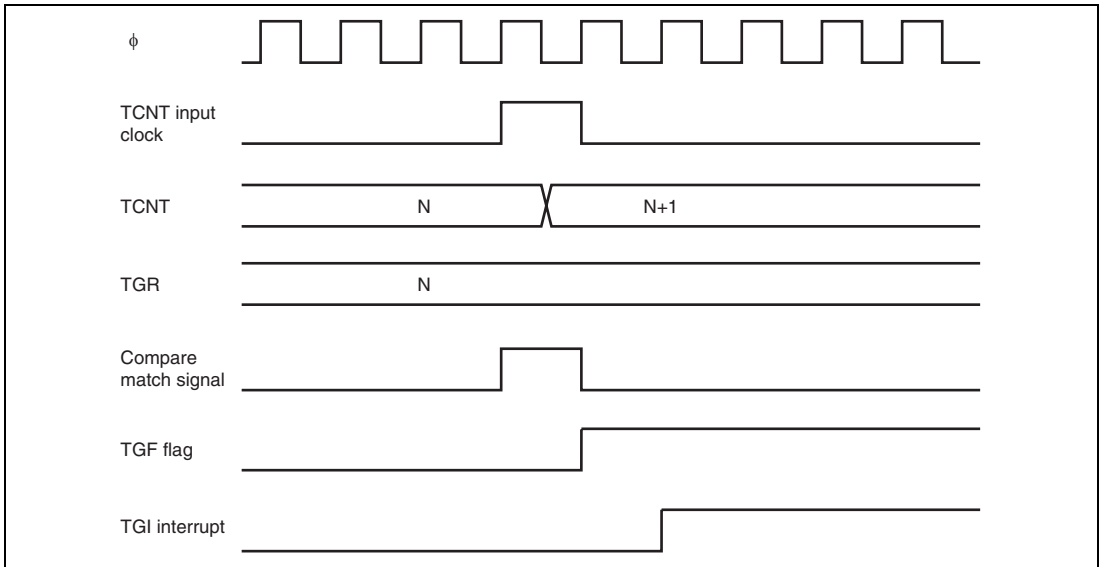
**Figure 10.36 Buffer Operation Timing (Compare Match)**



**Figure 10.37 Buffer Operation Timing (Input Capture)**

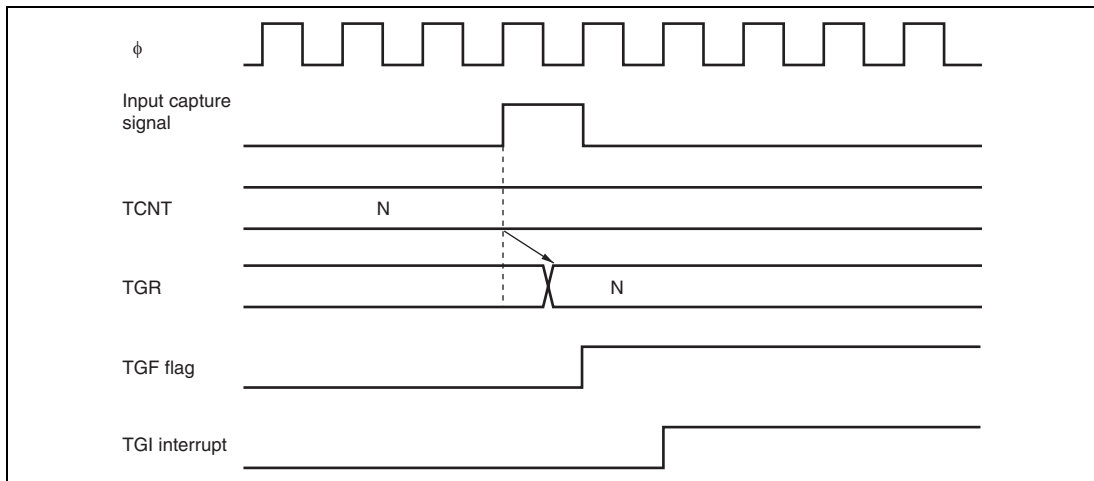
## 10.8.2 Interrupt Signal Timing

**TGF Flag Setting Timing in Case of Compare Match:** Figure 10.38 shows the timing for setting of the TGF flag in TSR on compare match, and TGI interrupt request signal timing.



**Figure 10.38 TGI Interrupt Timing (Compare Match)**

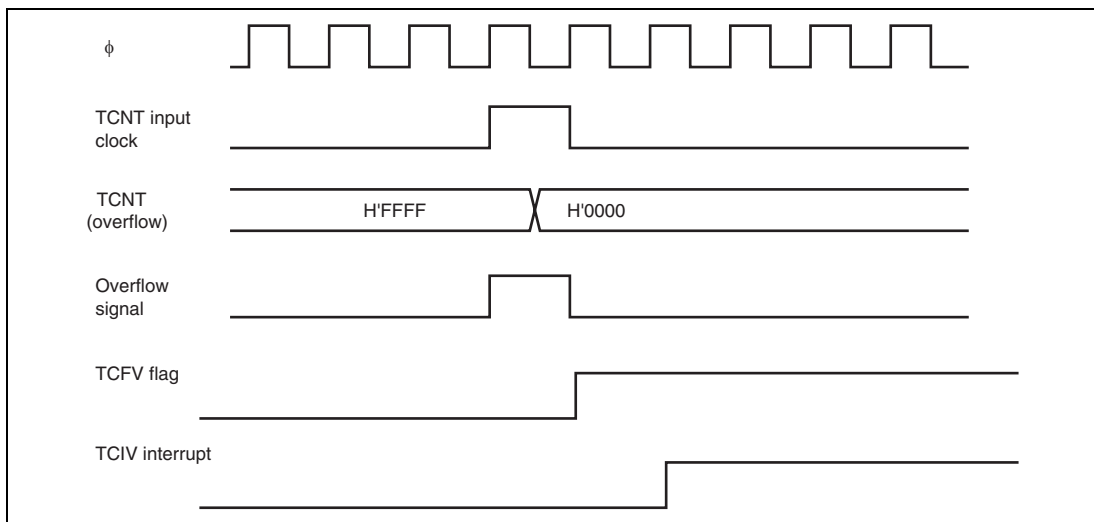
**TGF Flag Setting Timing in Case of Input Capture:** Figure 10.39 shows the timing for setting of the TGF flag in TSR on input capture, and TGI interrupt request signal timing.



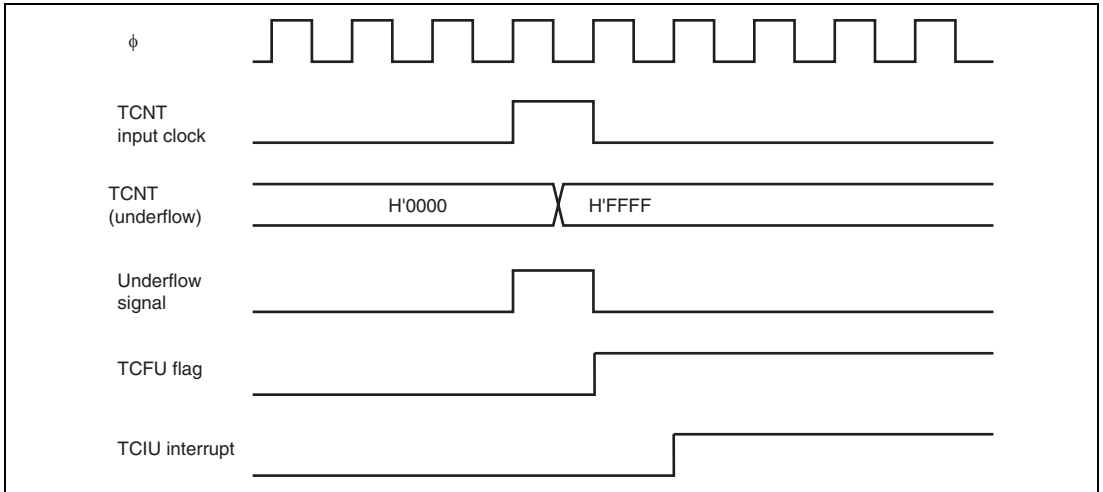
**Figure 10.39 TGI Interrupt Timing (Input Capture)**

**TCFV Flag/TCFU Flag Setting Timing:** Figure 10.40 shows the timing for setting of the TCFV flag in TSR on overflow, and TCIV interrupt request signal timing.

Figure 10.41 shows the timing for setting of the TCFU flag in TSR on underflow, and TCIU interrupt request signal timing.

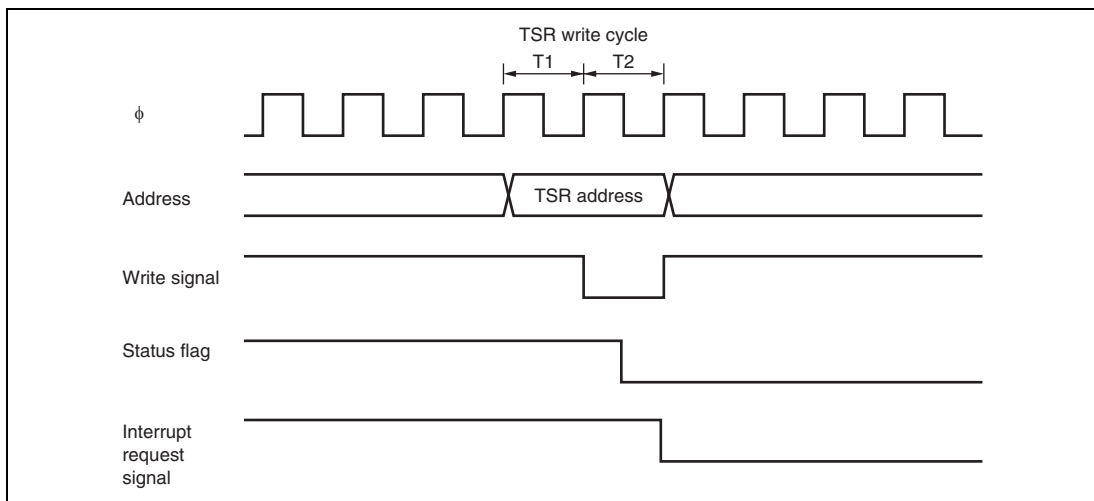


**Figure 10.40 TCIV Interrupt Setting Timing**

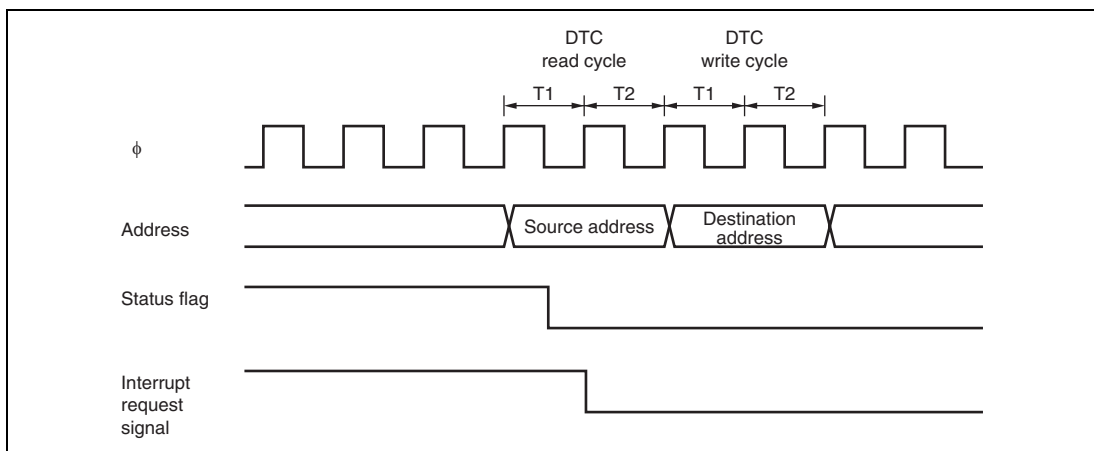


**Figure 10.41 TCIU Interrupt Setting Timing**

**Status Flag Clearing Timing:** After a status flag is read as 1 by the CPU, it is cleared by writing 0 to it. When the DTC is activated, the flag is cleared automatically. Figure 10.42 shows the timing for status flag clearing by the CPU, and figure 10.43 shows the timing for status flag clearing by the DTC.



**Figure 10.42 Timing for Status Flag Clearing by CPU**



**Figure 10.43 Timing for Status Flag Clearing by DTC Activation**

## 10.9 Usage Notes

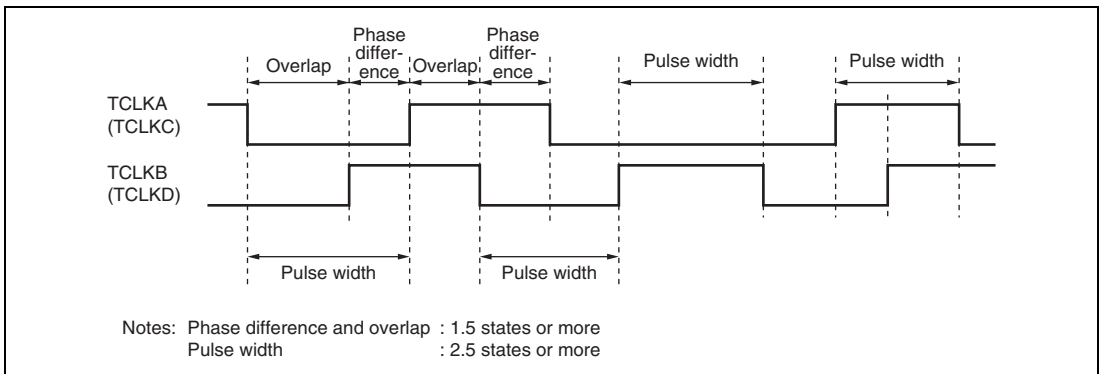
### 10.9.1 Module Stop Mode Setting

TPU operation can be disabled or enabled using the module stop control register. The initial setting is for TPU operation to be halted. Register access is enabled by clearing module stop mode. For details, refer to section 21, Power-Down Modes.

### 10.9.2 Input Clock Restrictions

The input clock pulse width must be at least 1.5 states in the case of single-edge detection, and at least 2.5 states in the case of both-edge detection. The TPU will not operate properly at narrower pulse widths.

In phase counting mode, the phase difference and overlap between the two input clocks must be at least 1.5 states, and the pulse width must be at least 2.5 states. Figure 10.44 shows the input clock conditions in phase counting mode.



**Figure 10.44 Phase Difference, Overlap, and Pulse Width in Phase Counting Mode**

### 10.9.3 Caution on Period Setting

When counter clearing on compare match is set, TCNT is cleared in the final state in which it matches the TGR value (the point at which the count value matched by TCNT is updated). Consequently, the actual counter frequency is given by the following formula:

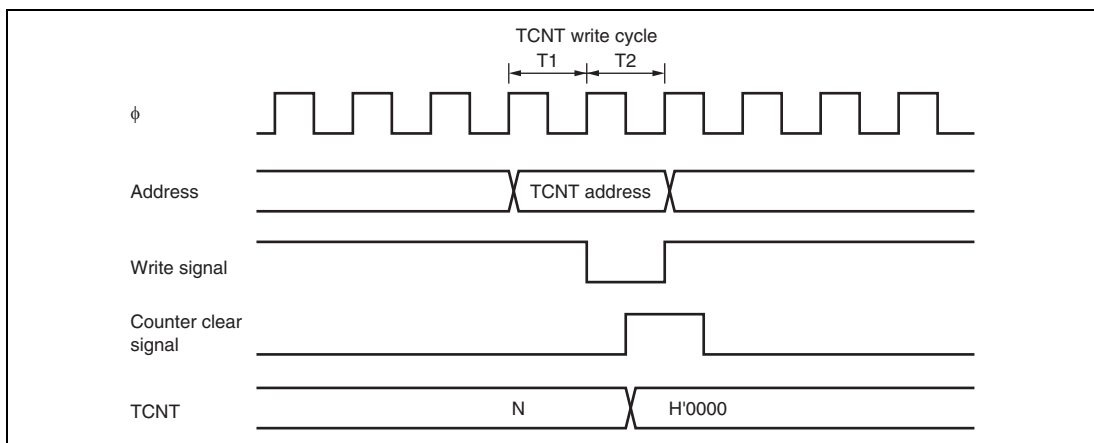
$$f = \frac{\phi}{(N + 1)}$$

Where f: Counter frequency  
 $\phi$ : Operating frequency  
 N: TGR set value

### 10.9.4 Conflict between TCNT Write and Clear Operations

If the counter clear signal is generated in the T2 state of a TCNT write cycle, TCNT clearing takes precedence and the TCNT write is not performed.

Figure 10.45 shows the timing in this case.

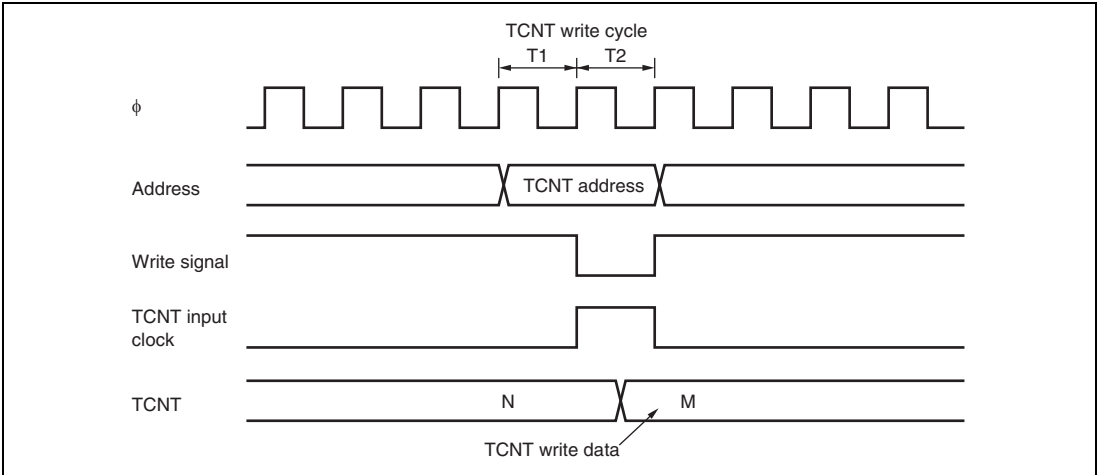


**Figure 10.45 Conflict between TCNT Write and Clear Operations**

### 10.9.5 Conflict between TCNT Write and Increment Operations

If incrementing occurs in the T2 state of a TCNT write cycle, the TCNT write takes precedence and TCNT is not incremented.

Figure 10.46 shows the timing in this case.



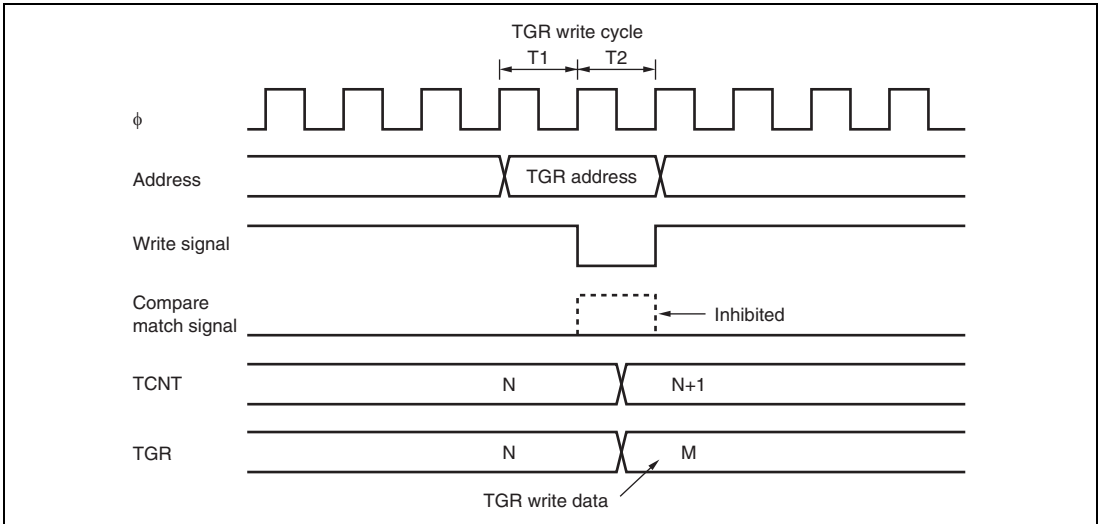
**Figure 10.46 Conflict between TCNT Write and Increment Operations**



### 10.9.6 Conflict between TGR Write and Compare Match

If a compare match occurs in the T2 state of a TGR write cycle, the TGR write takes precedence and the compare match signal is inhibited. A compare match does not occur even if the previous value is written.

Figure 10.47 shows the timing in this case.

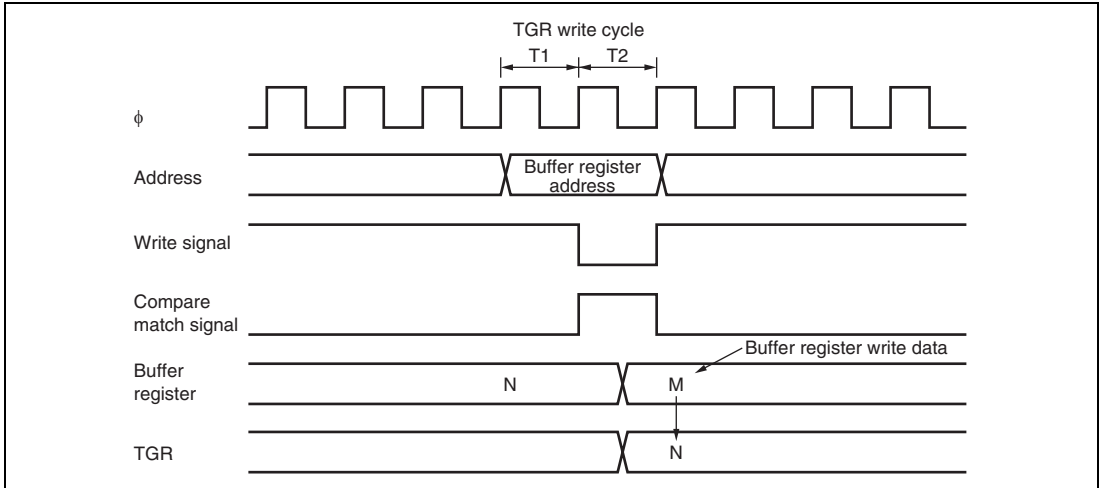


**Figure 10.47 Conflict between TGR Write and Compare Match**

### 10.9.7 Conflict between Buffer Register Write and Compare Match

If a compare match occurs in the T2 state of a TGR write cycle, the data that is transferred to TGR by the buffer operation will be that in the buffer prior to the write.

Figure 10.48 shows the timing in this case.

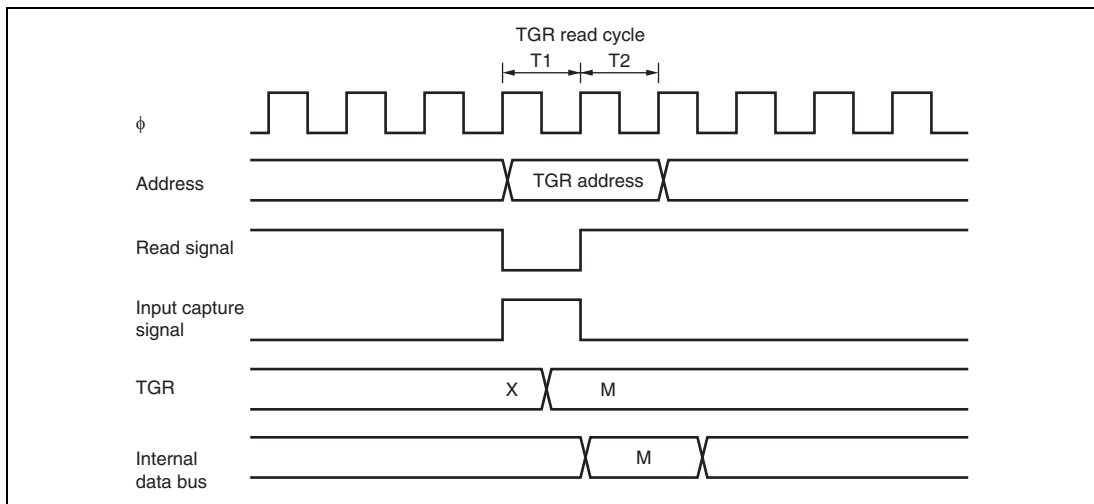


**Figure 10.48 Conflict between Buffer Register Write and Compare Match**

### 10.9.8 Conflict between TGR Read and Input Capture

If an input capture signal is generated in the T1 state of a TGR read cycle, the data that is read will be that in the buffer after input capture transfer.

Figure 10.49 shows the timing in this case.

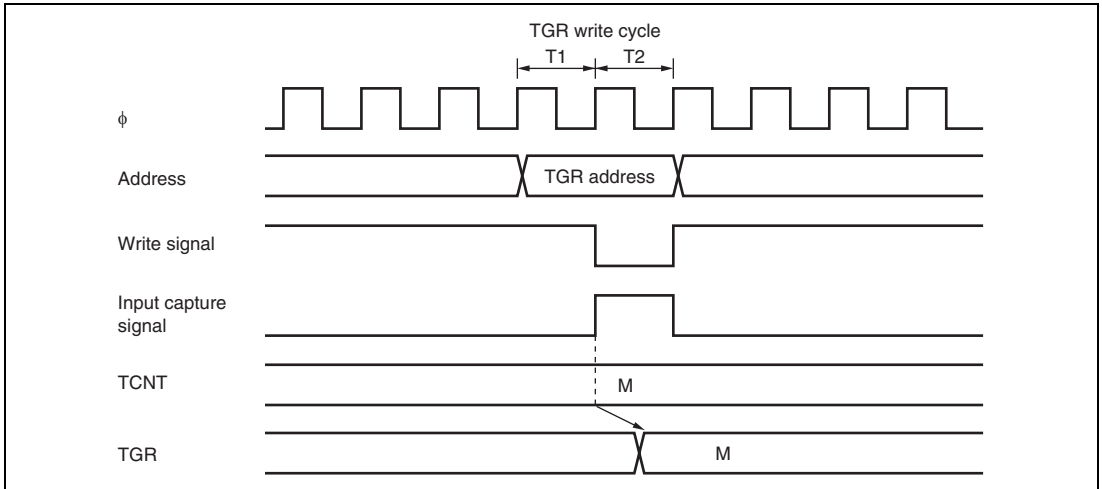


**Figure 10.49 Conflict between TGR Read and Input Capture**

### 10.9.9 Conflict between TGR Write and Input Capture

If an input capture signal is generated in the T2 state of a TGR write cycle, the input capture operation takes precedence and the write to TGR is not performed.

Figure 10.50 shows the timing in this case.

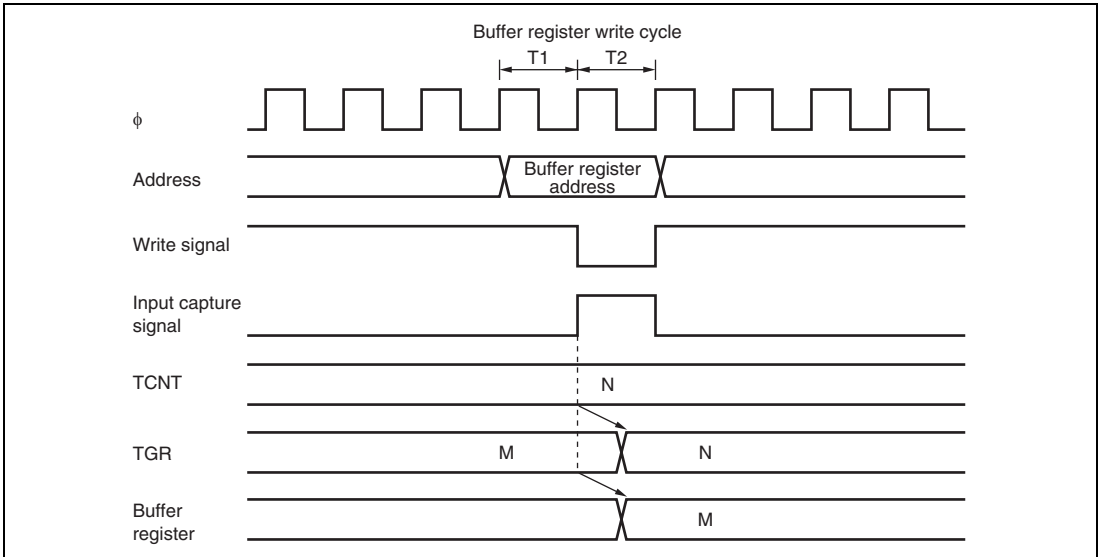


**Figure 10.50 Conflict between TGR Write and Input Capture**

### 10.9.10 Conflict between Buffer Register Write and Input Capture

If an input capture signal is generated in the T2 state of a buffer register write cycle, the buffer operation takes precedence and the write to the buffer register is not performed.

Figure 10.51 shows the timing in this case.

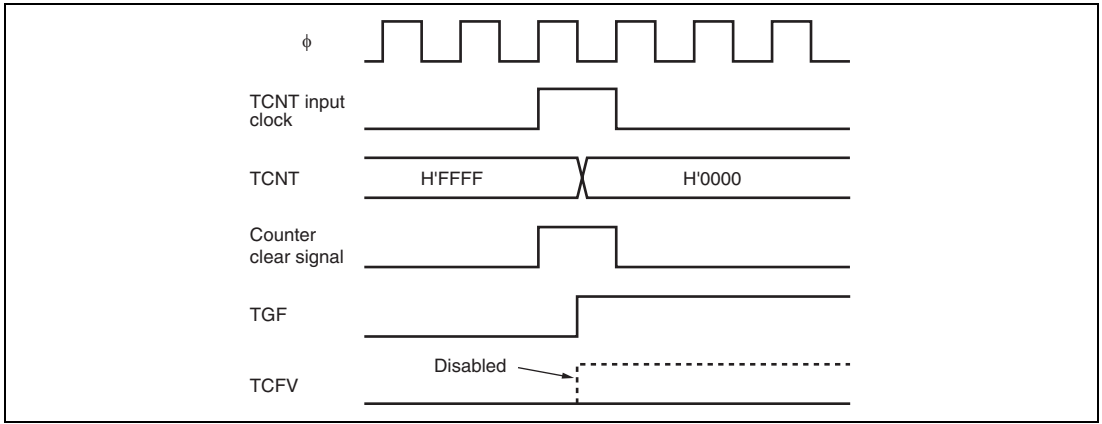


**Figure 10.51 Conflict between Buffer Register Write and Input Capture**

### 10.9.11 Conflict between Overflow/Underflow and Counter Clearing

If overflow/underflow and counter clearing occur simultaneously, the TCFV/TCFU flag in TSR is not set and TCNT clearing takes precedence.

Figure 10.52 shows the operation timing when a TGR compare match is specified as the clearing source, and when H'FFFF is set in TGR.

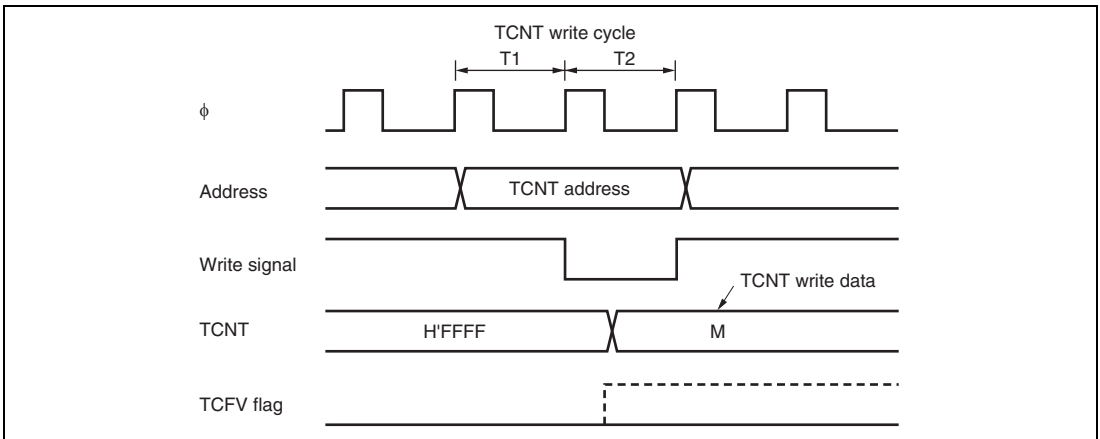


**Figure 10.52 Conflict between Overflow and Counter Clearing**

### 10.9.12 Conflict between TCNT Write and Overflow/Underflow

If there is an up-count or down-count in the T2 state of a TCNT write cycle, and overflow/underflow occurs, the TCNT write takes precedence and the TCFV/TCFU flag in TSR is not set.

Figure 10.53 shows the operation timing when there is conflict between TCNT write and overflow.



**Figure 10.53 Conflict between TCNT Write and Overflow**

### 10.9.13 Multiplexing of I/O Pins

In this LSI, the TCLKA input pin is multiplexed with the TIOCC0 I/O pin, the TCLKB input pin with the TIOCD0 I/O pin, the TCLKC input pin with the TIOCB1 I/O pin, and the TCLKD input pin with the TIOCB2 I/O pin. When an external clock is input, compare match output should not be performed from a multiplexed pin.

### 10.9.14 Interrupts in Module Stop Mode

If module stop mode is entered when an interrupt has been requested, it will not be possible to clear the CPU interrupt source or the DTC activation source. Interrupts should therefore be disabled before entering module stop mode.



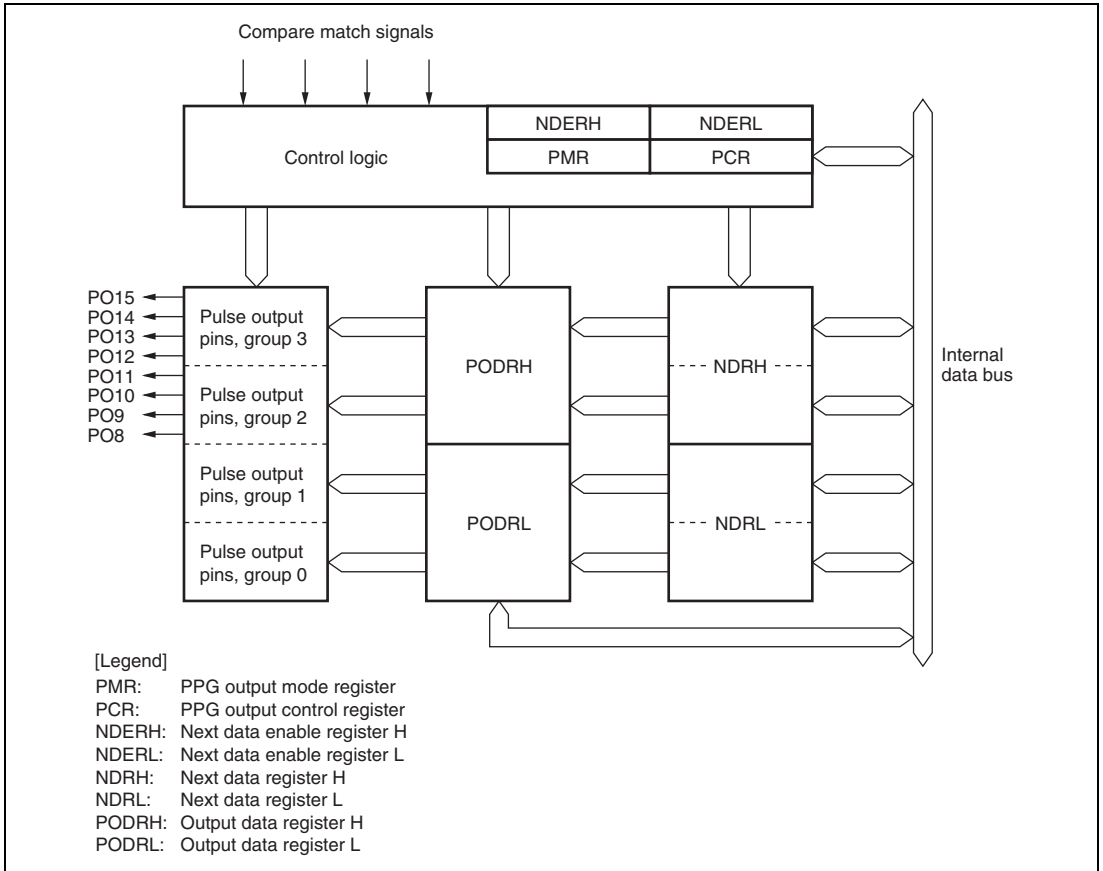


## Section 11 Programmable Pulse Generator (PPG)

The programmable pulse generator provides pulse outputs using the 16-bit timer pulse unit (TPU) as a time base. The PPG pulse outputs are divided into 4-bit groups (group 2 and group 3) that can operate both simultaneously and independently. The block diagram of the PPG is shown in figure 11.1.

### 11.1 Features

- 8-bit output data
- Two output groups
- Selectable output trigger signals
- Non-overlap mode
- Can operate in tandem with the data transfer controller (DTC)
- Settable inverted output
- Module stop mode can be set



**Figure 11.1 Block Diagram of PPG**

## 11.2 Input/Output Pins

Table 11.1 summarizes the pin configuration of the PPG.

**Table 11.1 Pin Configuration**

Pin Name	I/O	Function
PO15	Output	Group 3 pulse output
PO14	Output	
PO13	Output	
PO12	Output	
PO11	Output	Group 2 pulse output
PO10	Output	
PO9	Output	
PO8	Output	

## 11.3 Register Descriptions

The PPG has the following registers.

- PPG output control register (PCR)
- PPG output mode register (PMR)
- Next data enable register H (NDERH)
- Next data enable register L (NDERL)
- Output data register H (PODRH)
- Output data register L (PODRL)
- Next data register H (NDRH)
- Next data register L (NDRL)

### 11.3.1 Next Data Enable Registers H, L (NDERH, NDERL)

NDERH and NDERL are 8-bit readable/writable registers that enable or disable pulse output on a bit-by-bit basis. The corresponding DDR also needs to be set to 1 in order to enable pulse output by the PPG.

- NDERH

Bit	Bit Name	Initial Value	R/W	Description
7	NDER15	0	R/W	Next Data Enable 8 to 15
6	NDER14	0	R/W	When a bit is set to 1 for pulse output by NDRH, the value in the corresponding NDRH bit is transferred to the PODRH bit by the selected output trigger. Values are not transferred from NDRH to PODRH for cleared bits.
5	NDER13	0	R/W	
4	NDER12	0	R/W	
3	NDER11	0	R/W	
2	NDER10	0	R/W	
1	NDER9	0	R/W	
0	NDER8	0	R/W	

- NDERL

Bit	Bit Name	Initial Value	R/W	Description
7	NDER7	0	R/W	Next Data Enable 0 to 7
6	NDER6	0	R/W	When a bit is set to 1 for pulse output by NDRL, the value in the corresponding NDRL bit is transferred to the PODRL bit by the selected output trigger. Values are not transferred from NDRL to PODRL for cleared bits.
5	NDER5	0	R/W	
4	NDER4	0	R/W	
3	NDER3	0	R/W	
2	NDER2	0	R/W	
1	NDER1	0	R/W	
0	NDER0	0	R/W	

### 11.3.2 Output Data Registers H, L (PODRH, PODRL)

PODRH and PODRL are 8-bit readable/writable registers that store output data for use in pulse output. A bit that has been set for pulse output by NDER is read-only and cannot be modified.

- PODRH

Bit	Bit Name	Initial Value	R/W	Description
7	POD15	0	R/W	Output Data Register 8 to 15
6	POD14	0	R/W	For bits that have been set to pulse output by NDERH, the output trigger transfers NDRH values to this register during PPG operation. While NDERH is set to 1, the CPU cannot write to this register. While NDERH is cleared, the initial output value of the pulse can be set.
5	POD13	0	R/W	
4	POD12	0	R/W	
3	POD11	0	R/W	
2	POD10	0	R/W	
1	POD9	0	R/W	
0	POD8	0	R/W	

- PODRL

Bit	Bit Name	Initial Value	R/W	Description
7	POD7	0	R/W	Output Data Register 0 to 7
6	POD6	0	R/W	For bits which have been set to pulse output by NDERL, the output trigger transfers NDRL values to this register during PPG operation. While NDERL is set to 1, the CPU cannot write to this register. While NDERL is cleared, the initial output value of the pulse can be set.
5	POD5	0	R/W	
4	POD4	0	R/W	
3	POD3	0	R/W	
2	POD2	0	R/W	
1	POD1	0	R/W	
0	POD0	0	R/W	

### 11.3.3 Next Data Registers H, L (NDRH, NDRL)

NDRH and NDRL are 8-bit readable/writable registers that store the data for the next pulse output. The NDR addresses differ depending on whether pulse output groups have the same output trigger or different output triggers.

- NDRH

If pulse output groups 2 and 3 have the same output trigger, all eight bits are mapped to the same address and can be accessed at one time, as shown below.

Bit	Bit Name	Initial Value	R/W	Description
7	NDR15	0	R/W	Next Data Register 8 to 15
6	NDR14	0	R/W	The register contents are transferred to the corresponding PODRH bits by the output trigger specified with PCR.
5	NDR13	0	R/W	
4	NDR12	0	R/W	
3	NDR11	0	R/W	
2	NDR10	0	R/W	
1	NDR9	0	R/W	
0	NDR8	0	R/W	

If pulse output groups 2 and output pulse groups 3 have different output triggers, the upper 4 bits and the lower 4 bits are mapped to different addresses, as shown below.

Bit	Bit Name	Initial Value	R/W	Description
7	NDR15	0	R/W	Next Data Register 12 to 15
6	NDR14	0	R/W	The register contents are transferred to the corresponding PODRH bits by the output trigger specified with PCR.
5	NDR13	0	R/W	
4	NDR12	0	R/W	
3 to 0	—	All 1	—	

Bit	Bit Name	Initial Value	R/W	Description
7 to 4	—	All 1	—	Reserved These bits are always read as 1 and cannot be modified.
3	NDR11	0	R/W	Next Data Register 8 to 11
2	NDR10	0	R/W	The register contents are transferred to the corresponding PODRH bits by the output trigger specified with PCR.
1	NDR9	0	R/W	
0	NDR8	0	R/W	

- NDRL

If pulse output groups 0 and 1 have the same output trigger, all eight bits are mapped to the same address and can be accessed at one time, as shown below.

Bit	Bit Name	Initial Value	R/W	Description
7	NDR7	0	R/W	Next Data Register 0 to 7
6	NDR6	0	R/W	The register contents are transferred to the corresponding PODRL bits by the output trigger specified with PCR.
5	NDR5	0	R/W	
4	NDR4	0	R/W	
3	NDR3	0	R/W	
2	NDR2	0	R/W	
1	NDR1	0	R/W	
0	NDR0	0	R/W	

If pulse output groups 0 and output pulse groups 1 have different output triggers, upper 4 bits and lower 4 bits are mapped to the different addresses as shown below.

Bit	Bit Name	Initial Value	R/W	Description
7	NDR7	0	R/W	Next Data Register 4 to 7
6	NDR6	0	R/W	The register contents are transferred to the corresponding PODRL bits by the output trigger specified with PCR.
5	NDR5	0	R/W	
4	NDR4	0	R/W	
3 to 0	—	All 1	—	Reserved These bits are always read as 1 and cannot be modified.

Bit	Bit Name	Initial Value	R/W	Description
7 to 4	—	All 1	—	Reserved These bits are always read as 1 and cannot be modified.
3	NDR3	0	R/W	Next Data Register 3 to 0
2	NDR2	0	R/W	The register contents are transferred to the corresponding PODRL bits by the output trigger specified with PCR.
1	NDR1	0	R/W	
0	NDR0	0	R/W	



### 11.3.4 PPG Output Control Register (PCR)

PCR is an 8-bit readable/writable register that selects output trigger signals on a group-by-group basis. For details on output trigger selection, see section 11.3.5, PPG Output Mode Register (PMR).

Bit	Bit Name	Initial Value	R/W	Description
7	G3CMS1	1	R/W	Group 3 Compare Match Select 0 and 1
6	G3CMS0	1	R/W	Select output trigger of pulse output group 3. 00: Compare match in TPU channel 0 01: Compare match in TPU channel 1 10: Compare match in TPU channel 2 11: Compare match in TPU channel 3
5	G2CMS1	1	R/W	Group 2 Compare Match Select 0 and 1
4	G2CMS0	1	R/W	Select output trigger of pulse output group 2. 00: Compare match in TPC channel 0 01: Compare match in TPC channel 1 10: Compare match in TPC channel 2 11: Compare match in TPC channel 3
3	G1CMS1	1	R/W	Reserved
2	G1CMS0	1	R/W	
1	G0CMS1	1	R/W	Reserved
0	G0CMS0	1	R/W	

### 11.3.5 PPG Output Mode Register (PMR)

The PMR is an 8-bit readable/writable register that selects the pulse output mode of the PPG for each group. If inverted output is selected, a low-level pulse is output when PODRH is 1 and a high-level pulse is output when PODRH is 0. If non-overlapping operation is selected, PPG updates its output values on compare match A or B of the TPU that becomes the output trigger. For details, see section 11.4.5, Non-Overlapping Pulse Output.

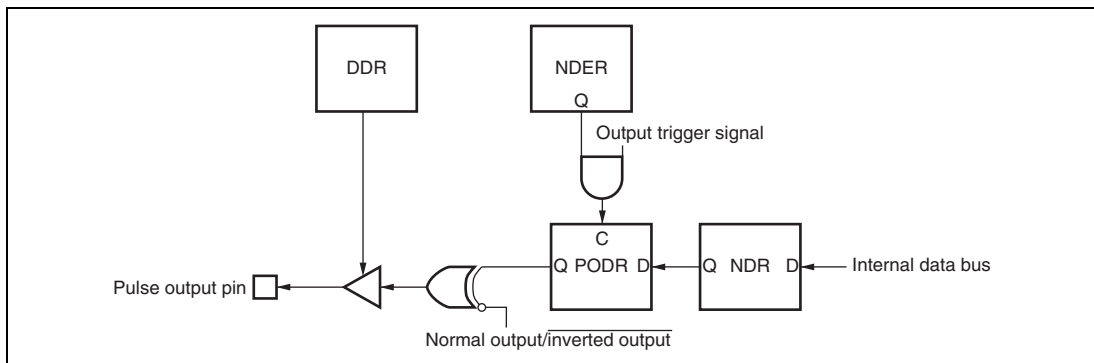
Bit	Bit Name	Initial Value	R/W	Description
7	G3INV	1	R/W	Group 3 Inversion Selects direct output or inverted output for pulse output group 3. 0: Inverted output 1: Direct output
6	G2INV	1	R/W	Group 2 Inversion Selects direct output or inverted output for pulse output group 2. 0: Inverted output 1: Direct output
5, 4	—	All 1	R/W	Reserved
3	G3NOV	0	R/W	Group 3 Non-Overlap Selects normal or non-overlapping operation for pulse output group 3. 0: Normal operation (output values updated at compare match A in the selected TPU channel) 1: Non-overlapping operation (output values at compare match A or B in the selected TPU channel)
2	G2NOV	0	R/W	Group 2 Non-Overlap Selects normal or non-overlapping operation for pulse output group 2. 0: Normal operation (output values updated at compare match A in the selected TPU channel) 1: Non-overlapping operation (output values at compare match A or B in the selected TPU channel)
1, 0	—	All 0	R/W	Reserved

## 11.4 Operation

### 11.4.1 Overview

Figure 11.2 shows a block diagram of the PPG. PPG pulse output is enabled when the corresponding bits in P1DDR and NDER are set to 1. An initial output value is determined by its corresponding PODR initial setting. When the compare match event specified by PCR occurs, the corresponding NDR bit contents are transferred to PODR to update the output values.

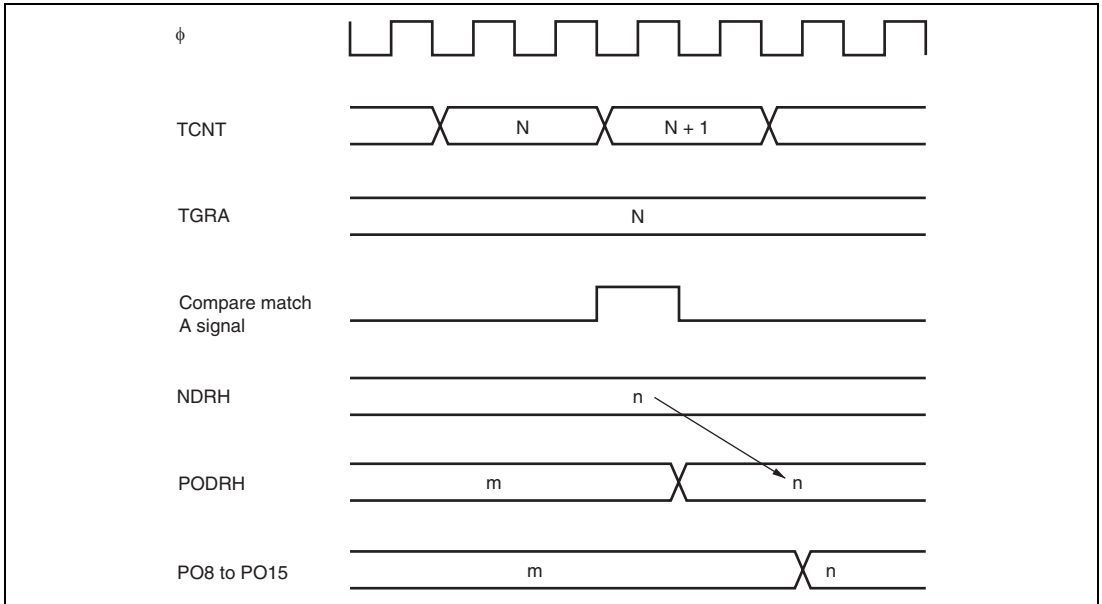
The sequential output of up to 8 bits of data is possible by writing new output data to NDR before the next compare match.



**Figure 11.2 PPG Output Operation**

## 11.4.2 Output Timing

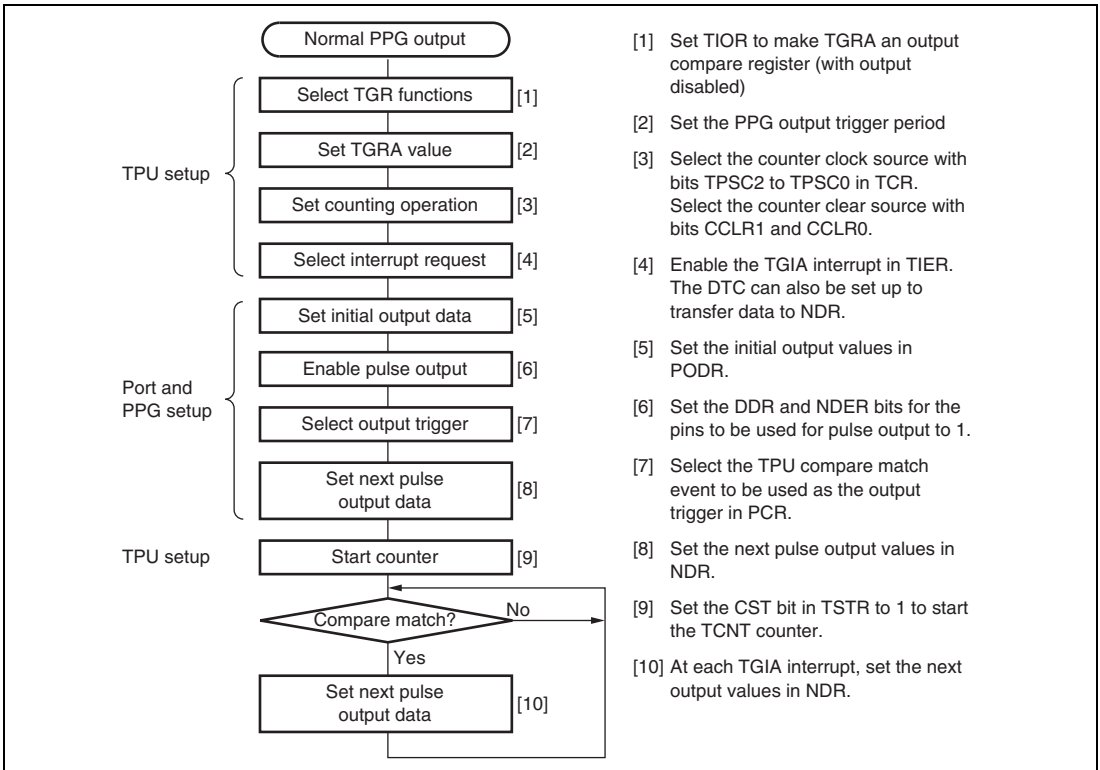
If pulse output is enabled, the contents of NDR contents are transferred to PODR and output when the specified compare match event occurs. Figure 11.3 shows the timing of these operations for the case of normal output in groups 2 and 3, triggered by compare match A.



**Figure 11.3 Timing of Transfer and Output of NDR Contents (Example)**

### 11.4.3 Sample Setup Procedure for Normal Pulse Output

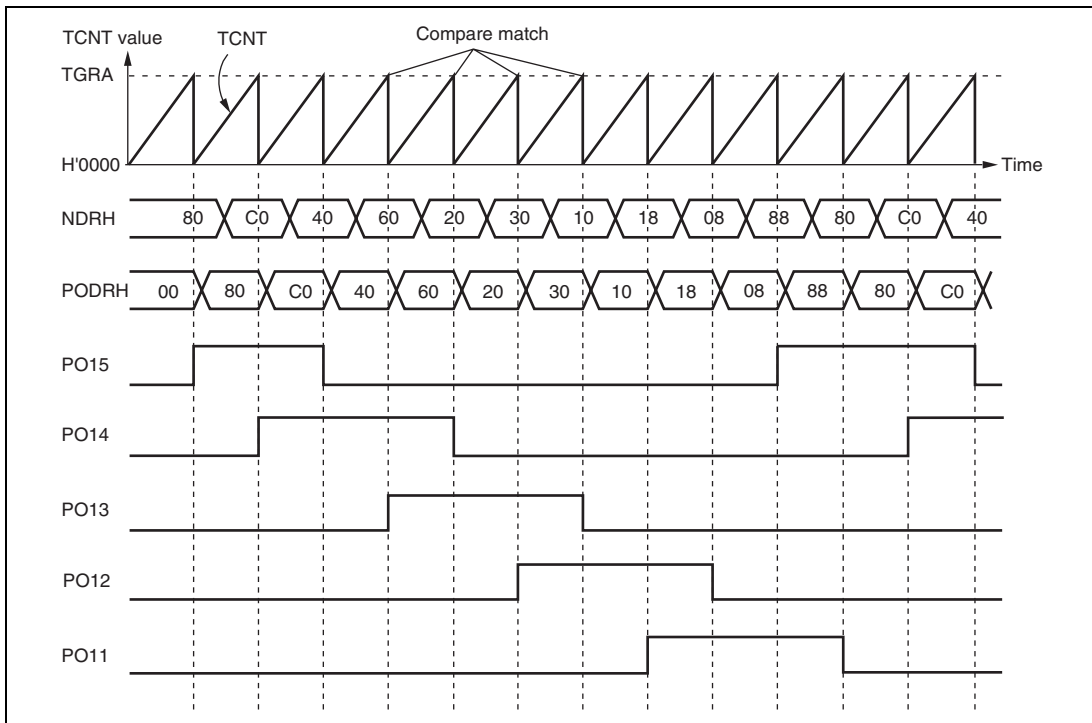
Figure 11.4 shows a sample procedure for setting up normal pulse output.



**Figure 11.4 Setup Procedure for Normal Pulse Output (Example)**

### 11.4.4 Example of Normal Pulse Output (Example of Five-Phase Pulse Output)

Figure 11.5 shows an example in which pulse output is used for cyclic five-phase pulse output.



**Figure 11.5 Normal Pulse Output Example (Five-Phase Pulse Output)**

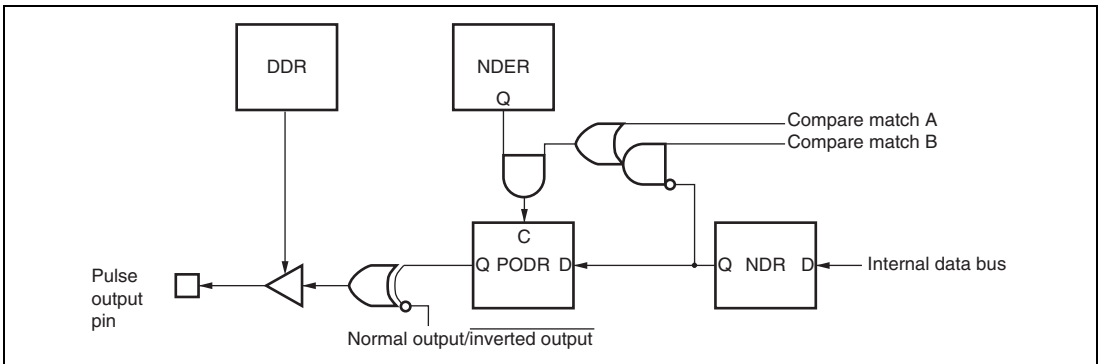
1. Set up TGRA of the TPU that is used as the output trigger to be an output compare register. Set a frequency in TGRA so the counter will be cleared on compare match A. Set the TGIEA bit of TIER to 1 to enable the compare match/input capture A (TGIA) interrupt.
2. Write H'F8 in P1DDR and NDRH, and set the G3CMS0, G3CMS1, G2CMS0, and G2CMS1 bits in PCR to select compare match in the TPU channel set up in the previous step to be the output trigger. Write output data H'80 in NDRH.
3. When compare match A occurs, the NDRH contents are transferred to PODRH and output. The TGIA interrupt handling routine writes the next output data (H'C0) in NDRH.
4. Five-phase overlapping pulse output (one or two phases active at a time) can be obtained subsequently by writing H'40, H'60, H'20, H'30, H'10, H'18, H'08, H'88... at successive TGIA interrupts. If the DTC is set for activation by this interrupt, pulse output can be obtained without imposing a load on the CPU.

### 11.4.5 Non-Overlapping Pulse Output

During non-overlapping operation, transfer from NDR to PODR is performed as follows:

- NDR bits are always transferred on PODR bits on compare match A.
- On compare match B, NDR bits are transferred only if their value is 0. Bits are not transferred if their value is 1.

Figure 11.6 illustrates the non-overlapping pulse output operation.

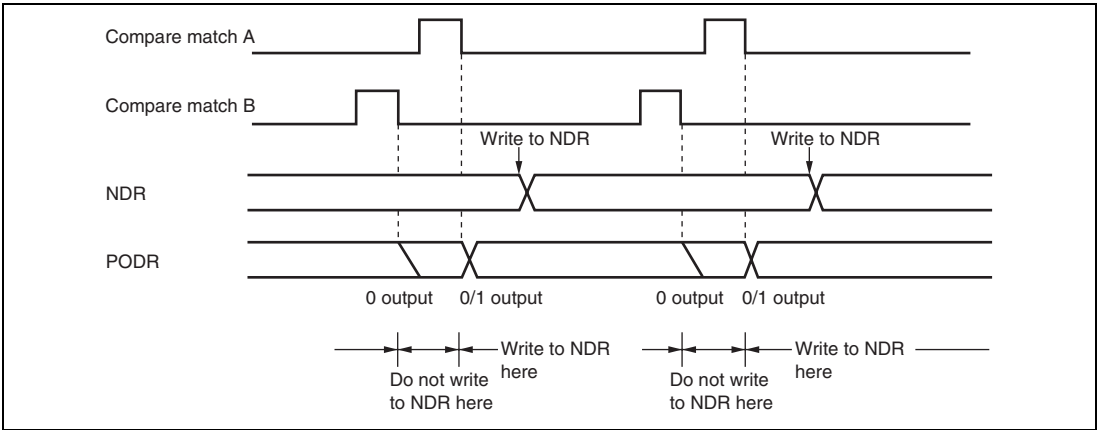


**Figure 11.6 Non-Overlapping Pulse Output**

Therefore, 0 data can be transferred ahead of 1 data by making compare match B occur before compare match A. The NDR contents should not be altered during the interval between compare match B and compare match A (the non-overlap margin).

This can be accomplished by having the TGIA interrupt handling routine write the next data in NDR, or by having the TGIA interrupt activate the DTC. Note, however, that the next data must be written before the next compare match B occurs.

Figure 11.7 shows the timing of this operation.

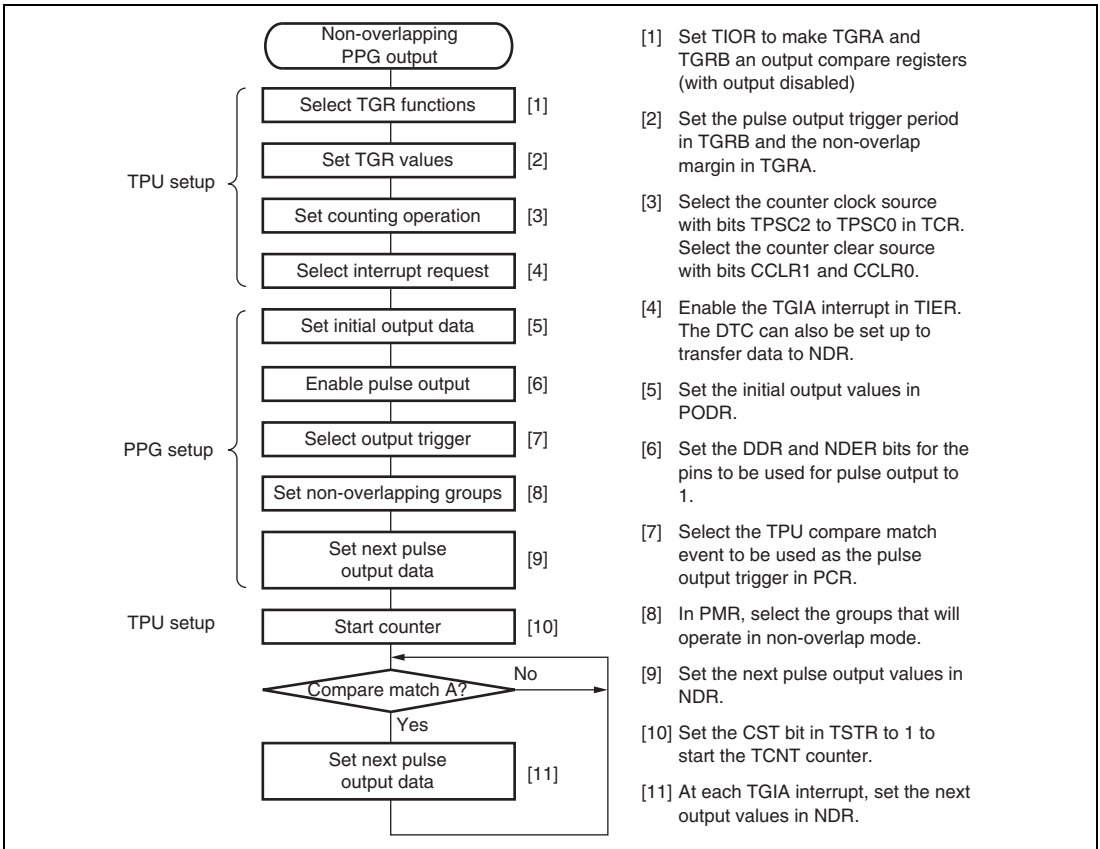


**Figure 11.7 Non-Overlapping Operation and NDR Write Timing**



### 11.4.6 Sample Setup Procedure for Non-Overlapping Pulse Output

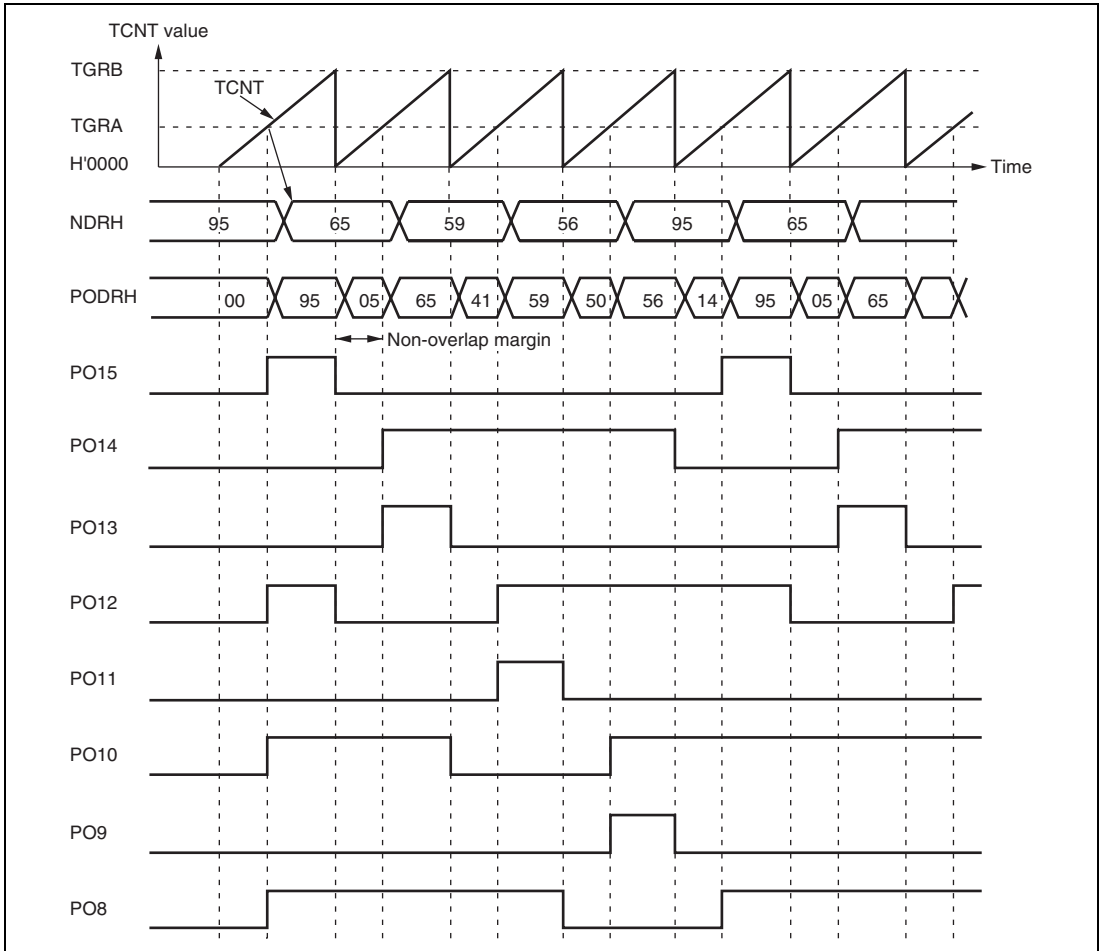
Figure 11.8 shows a sample procedure for setting up non-overlapping pulse output.



**Figure 11.8 Setup Procedure for Non-Overlapping Pulse Output (Example)**

### 11.4.7 Example of Non-Overlapping Pulse Output (Example of Four-Phase Complementary Non-Overlapping Output)

Figure 11.9 shows an example in which pulse output is used for four-phase complementary non-overlapping pulse output.



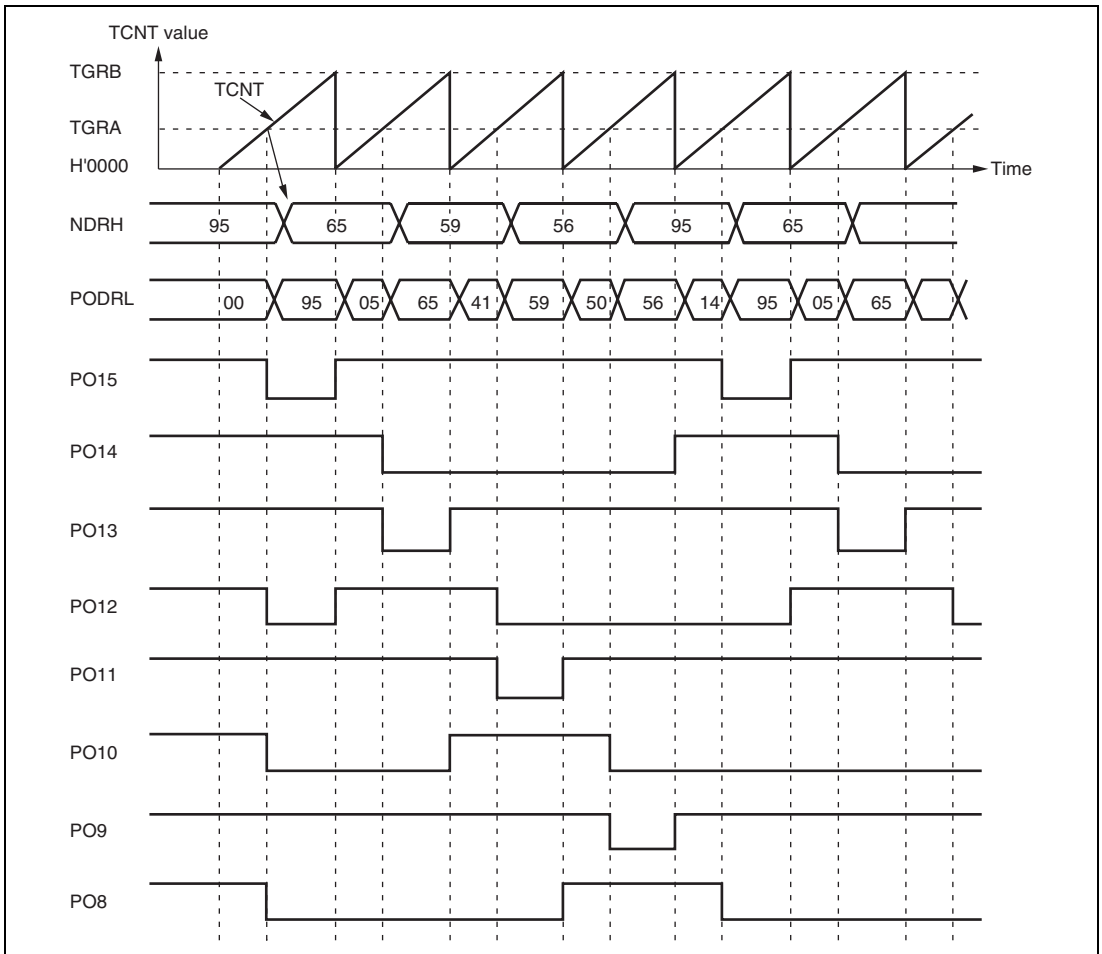
**Figure 11.9 Non-Overlapping Pulse Output Example (Four-Phase Complementary)**

1. Set up the TPU channel to be used as the output trigger channel such that TGRA and TGRB are output compare registers. Set the trigger period in TGRB and the non-overlap margin in TGRA, and set the counter to be cleared on compare match B. Set the TGIEA bit in TIER to 1 to enable the TGIA interrupt.
2. Write H'FF in P1DDR and NDERH, and set the G3CMS1, G3CMS0, G2CMS1, and G2CMS0 bits in PCR to select compare match in the TPU channel set up in the previous step to be the output trigger. Set the G3NOV and G2NOV bits in PMR to 1 to select non-overlapping output. Write output data H'95 in NDRH.
3. The timer counter in the TPU channel starts. When a compare match with TGRB occurs, outputs change from 1 to 0. When a compare match with TGRA occurs, outputs change from 0 to 1 (the change from 0 to 1 is delayed by the value set in TGRA). The TGIA interrupt handling routine writes the next output data (H'65) in NDRH.
4. Four-phase complementary non-overlapping pulse output can be obtained subsequently by writing H'59, H'56, H'95... at successive TGIA interrupts. If the DTC is set for activation by this interrupt, pulse output can be obtained without imposing a load on the CPU.

### 11.4.8 Inverted Pulse Output

If the G3INV, G2INV, G1INV, and G0INV bits in PMR are cleared to 0, values that are the inverse of the PODR contents can be output.

Figure 11.10 shows the outputs when G3INV and G2INV are cleared to 0, in addition to the settings of figure 11.9.

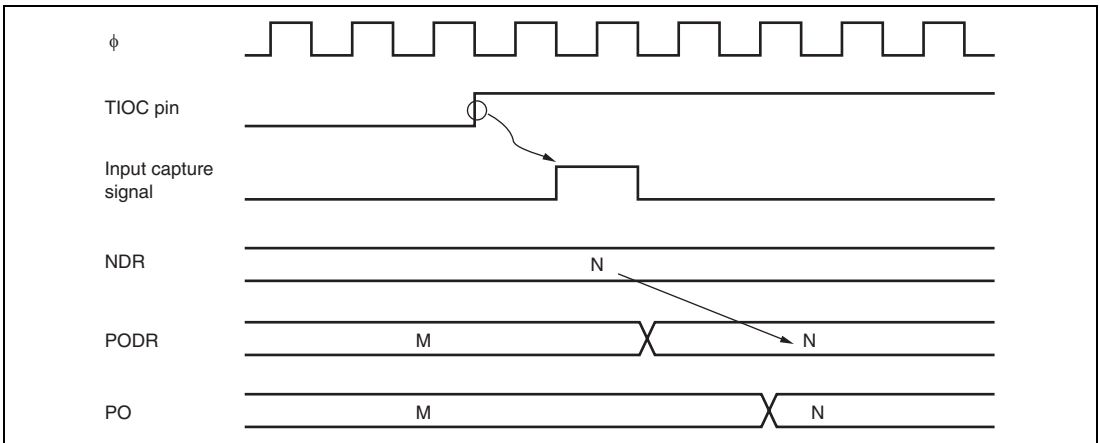


**Figure 11.10 Inverted Pulse Output (Example)**

### 11.4.9 Pulse Output Triggered by Input Capture

Pulse output can be triggered by TPU input capture as well as by compare match. If TGRA functions as an input capture register in the TPU channel selected by PCR, pulse output will be triggered by the input capture signal.

Figure 11.11 shows the timing of this output.



**Figure 11.11 Pulse Output Triggered by Input Capture (Example)**

## 11.5 Usage Notes

### 11.5.1 Module Stop Mode Setting

PPG operation can be disabled or enabled using the module stop control register. The initial setting is for PPG operation to be halted. Register access is enabled by clearing module stop mode. For details, see section 21, Power-Down Modes.

### 11.5.2 Operation of Pulse Output Pins

Pins PO8 to PO15 are also used for other peripheral functions such as the TPU. When output by another peripheral function is enabled, the corresponding pins cannot be used for pulse output. Note, however, that data transfer from NDR bits to PODR bits takes place, regardless of the usage of the pins.

Pin functions should be changed only under conditions in which the output trigger event will not occur.

## Section 12 Watchdog Timer (WDT)

This LSI has a two-channel watchdog timer (WDT\_0, WDT\_1). WDT is an 8-bit timer that can generate an internal reset signal for this LSI if a system crash prevents the CPU from writing to the timer counter, thus allowing it to overflow.

When this watchdog function is not needed, the WDT can be used as an interval timer. In interval timer operation, an interval timer interrupt is generated each time the counter overflows.

The block diagrams of the WDT\_0 and WDT\_1 are shown in figures 12.1 and 12.2, respectively.

### 12.1 Features

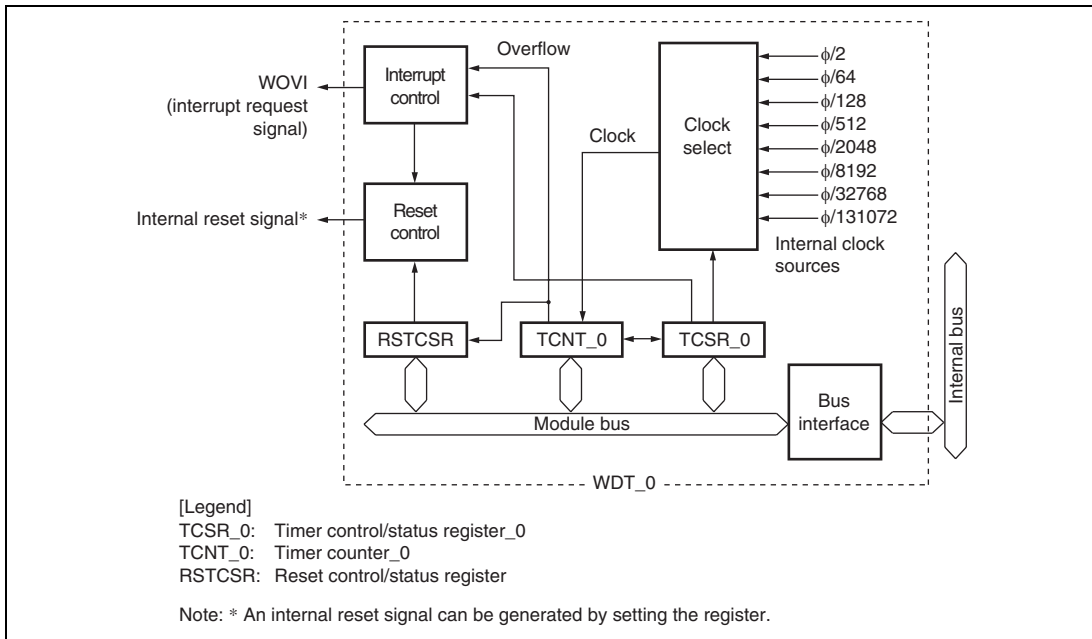
- Selectable from eight counter input clocks (WDT\_0) or sixteen counter input clocks (WDT\_1)
- Switchable between watchdog timer mode and interval timer mode

In watchdog timer mode:

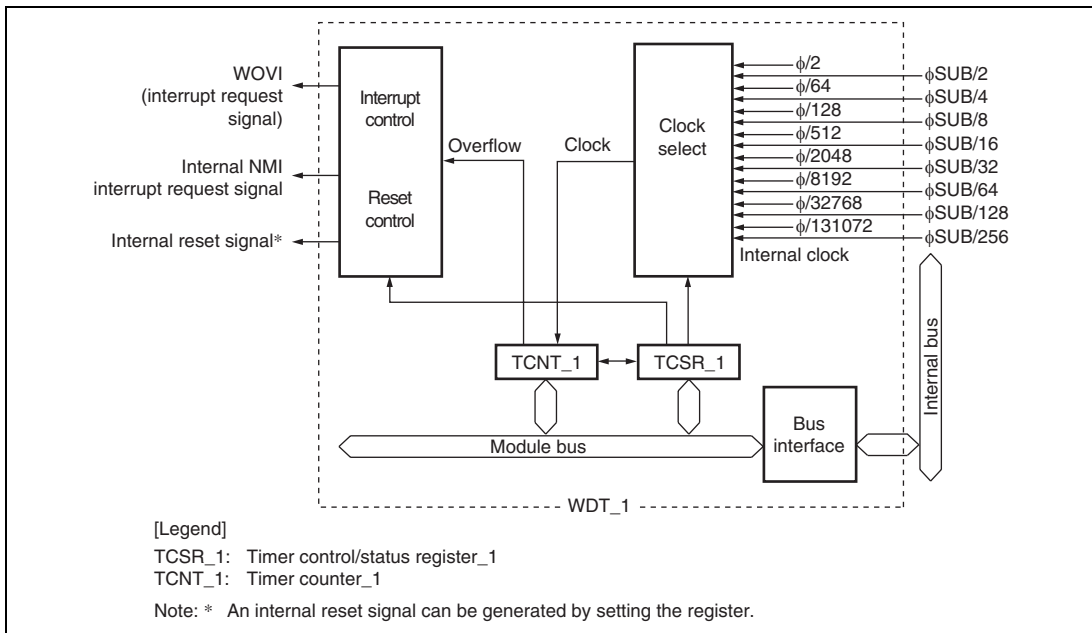
- If the counter overflows, it is possible to select whether this LSI is internally reset or not or whether an internal NMI interrupt is generated or not.

In interval timer mode:

- If the counter overflows, the WDT generates an interval timer interrupt (WOVI).



**Figure 12.1 Block Diagram of WDT\_0**



**Figure 12.2 Block Diagram of WDT\_1**



## 12.2 Register Descriptions

The WDT has the following registers. To prevent accidental overwriting, TCSR, TCNT, and RSTCSR have to be written to by a different method to normal registers. For details, see section 12.5.1, Notes on Register Access.

- Timer counter\_0 (TCNT\_0)
- Timer control/status register\_0 (TCSR\_0)
- Timer counter\_1 (TCNT\_1)
- Timer control/status register\_1 (TCSR\_1)
- Reset control/status register (RSTCSR)

### 12.2.1 Timer Counter (TCNT)

TCNT is an 8-bit readable/writable up-counter. TCNT is initialized to H'00 by a reset, when the TME bit in TCSR is cleared to 0.

### 12.2.2 Timer Control/Status Register (TCSR)

TCSR selects the clock source to be input to TCNT and the timer mode.

- TCSR\_0

Bit	Bit Name	Initial Value	R/W	Description
7	OVF	0	R/(W)*	<p>Overflow Flag</p> <p>Indicates that TCNT has overflowed. Only a write of 0 is permitted, to clear the flag.</p> <p>[Setting conditions]</p> <ul style="list-style-type: none"> <li>• When TCNT overflows (changes from H'FF to H'00)</li> <li>• When internal reset request generation is selected in watchdog timer mode, OVF is cleared automatically by the internal reset.</li> </ul> <p>[Clearing condition]</p> <ul style="list-style-type: none"> <li>• Cleared by reading TCSR when OVF = 1, then writing 0 to OVF</li> </ul>

Bit	Bit Name	Initial Value	R/W	Description
6	WT/IT	0	R/W	Timer Mode Select Selects whether the WDT is used as a watchdog timer or interval timer. 0: Interval timer mode 1: Watchdog timer mode
5	TME	0	R/W	Timer Enable When this bit is set to 1, TCNT starts counting. When this bit is cleared, TCNT stops counting and is initialized to H'00.
4, 3	—	All 1	—	Reserved These bits are always read as 1 and cannot be modified.
2	CKS2	0	R/W	Clock Select 2 to 0
1	CKS1	0	R/W	These bits select the clock source to be input to TCNT. The overflow frequency for $\phi = 20$ MHz is enclosed in parentheses. 000: Clock $\phi/2$ (frequency: 25.6 $\mu$ s) 001: Clock $\phi/64$ (frequency: 819.2 $\mu$ s) 010: Clock $\phi/128$ (frequency: 1.6 ms) 011: Clock $\phi/512$ (frequency: 6.6 ms) 100: Clock $\phi/2048$ (frequency: 26.2 ms) 101: Clock $\phi/8192$ (frequency: 104.9 ms) 110: Clock $\phi/32768$ (frequency: 419.4 ms) 111: Clock $\phi/131072$ (frequency: 1.68 s)
0	CKS0	0	R/W	

Note: \* Only 0 can be written, for flag clearing.

- TCSR\_1

Bit	Bit Name	Initial Value	R/W	Description
7	OVF	0	R/(W)*	<p>Overflow Flag</p> <p>Indicates that TCNT has overflowed from H'FF to H'00. Only a write of 0 is permitted, to clear the flag.</p> <p>[Setting conditions]</p> <ul style="list-style-type: none"> <li>When TCNT overflows (changes from H'FF to H'00)</li> <li>When internal reset request generation is selected in watchdog timer mode, OVF is cleared automatically by the internal reset.</li> </ul> <p>[Clearing condition]</p> <ul style="list-style-type: none"> <li>Cleared by reading TCSR when OVF = 1, then writing 0 to OVF</li> </ul>
6	WT/IT	0	R/W	<p>Timer Mode Select</p> <p>Selects whether the WDT is used as a watchdog timer or interval timer.</p> <p>0: Interval timer mode 1: Watchdog timer mode</p>
5	TME	0	R/W	<p>Timer Enable</p> <p>When this bit is set to 1, TCNT starts counting. When this bit is cleared, TCNT stops counting and is initialized to H'00.</p>
4	PSS	0	R/W	<p>Prescaler Select</p> <p>Selects the clock source to be input to TCNT.</p> <p>0: Counts the divided clock of <math>\phi</math>-based prescaler (PSM) 1: Counts the divided clock of <math>\phi_{SUB}</math>-based prescaler (PSS)</p>
3	RST/NMI	0	R/W	<p>Reset or NMI</p> <p>Selects whether an internal reset request or an NMI interrupt request when the TCNT overflows during the watchdog timer mode.</p> <p>0: NMI interrupt request 1: Internal reset request</p>

Bit	Bit Name	Initial Value	R/W	Description
2	CKS2	0	R/W	Clock Select 2 to 0
1	CKS1	0	R/W	Selects the clock source to be input to TCNT. The overflow cycle is the period from which TCNT starts incrementing at H'00 and until it overflows.  When PSS = 0 (values in parentheses are for $\phi = 20$ MHz): 000: $\phi/2$ (cycle: 25.6 $\mu$ s) 001: $\phi/64$ (cycle: 819.2 ms) 010: $\phi/128$ (cycle: 1.6 ms) 011: $\phi/512$ (cycle: 6.6 ms) 100: $\phi/2048$ (cycle: 26.2 ms) 101: $\phi/8192$ (cycle: 104.9 ms) 110: $\phi/32768$ (cycle: 419.4 ms) 111: $\phi/131072$ (cycle: 1.68 s)  When PSS = 1 (values in parentheses are for $\phi_{SUB} = 32.768$ kHz): 000: $\phi_{SUB}/2$ (cycle: 15.6 ms) 001: $\phi_{SUB}/4$ (cycle: 31.3 ms) 010: $\phi_{SUB}/8$ (cycle: 62.5 ms) 011: $\phi_{SUB}/16$ (cycle: 125 ms) 100: $\phi_{SUB}/32$ (cycle: 250 ms) 101: $\phi_{SUB}/64$ (cycle: 500 ms) 110: $\phi_{SUB}/128$ (cycle: 1 s) 111: $\phi_{SUB}/256$ (cycle: 2 s)
0	CKS0	0	R/W	

Note: \* Only 0 can be written, for flag clearing.

### 12.2.3 Reset Control/Status Register (RSTCSR)

RSTCSR controls the generation of the internal reset signal when TCNT overflows, and selects the type of internal reset signal. RSTCSR is initialized to H'1F by a reset signal from the  $\overline{\text{RES}}$  pin, and not by the WDT internal reset signal caused by overflows.

Bit	Bit Name	Initial Value	R/W	Description
7	WOVF	0	R/(W)*	<p>Watchdog Overflow Flag</p> <p>This bit is set when TCNT overflows in watchdog timer mode. This bit cannot be set in interval timer mode, and only 0 can be written.</p> <p>[Setting condition]</p> <ul style="list-style-type: none"> <li>Set when TCNT overflows (changed from H'FF to H'00) in watchdog timer mode</li> </ul> <p>[Clearing condition]</p> <ul style="list-style-type: none"> <li>Cleared by reading RSTCSR when WOVF = 1, and then writing 0 to WOVF</li> </ul>
6	RSTE	0	R/W	<p>Reset Enable</p> <p>Specifies whether or not a reset signal is generated in the chip if TCNT overflows during watchdog timer operation.</p> <p>0: Reset signal is not generated even if TCNT overflows (Though this LSI is not reset, TCNT and TCSR in WDT are reset)</p> <p>1: Reset signal is generated if TCNT overflows</p>
5	RSTS	0	R/W	<p>Reset Select</p> <p>Selects the type of internal reset generated if TCNT overflows during watchdog timer operation.</p> <p>0: Power-on reset</p> <p>1: Setting prohibited</p>
4 to 0	—	All 1	—	<p>Reserved</p> <p>These bits are always read as 1 and cannot be modified.</p>

Note: \* Only 0 can be written, for flag clearing.

## 12.3 Operation

### 12.3.1 Watchdog Timer Mode

To use the WDT as a watchdog timer, set the  $\overline{WT/IT}$  bit in TCSR and the TME bit to 1. TCNT does not overflow while the system is operating normally. Software must prevent TCNT overflows by rewriting the TCNT value (normally by writing H'00) before overflows occurs.

When the WDT is used as a watchdog timer, and if TCNT overflows without being rewritten because of a system malfunction or other error, a WDTOVF signal is output when using the WDT\_0.

In watchdog timer mode, the WDT can internally reset this LSI with a WDTOVF signal.

When the RSTE bit of the RSTCSR is set to 1, and if the TCNT overflows, an internal reset signal for this LSI is issued at the same time as a WDTOVF signal. In this case, select power-on reset by setting the RSTS bit in RSTCSR to 0.

If a reset caused by a signal input to the  $\overline{RES}$  pin occurs at the same time as a reset caused by a WDT overflow, the  $\overline{RES}$  pin reset has priority and the WOVF bit in RSTCSR is cleared to 0.

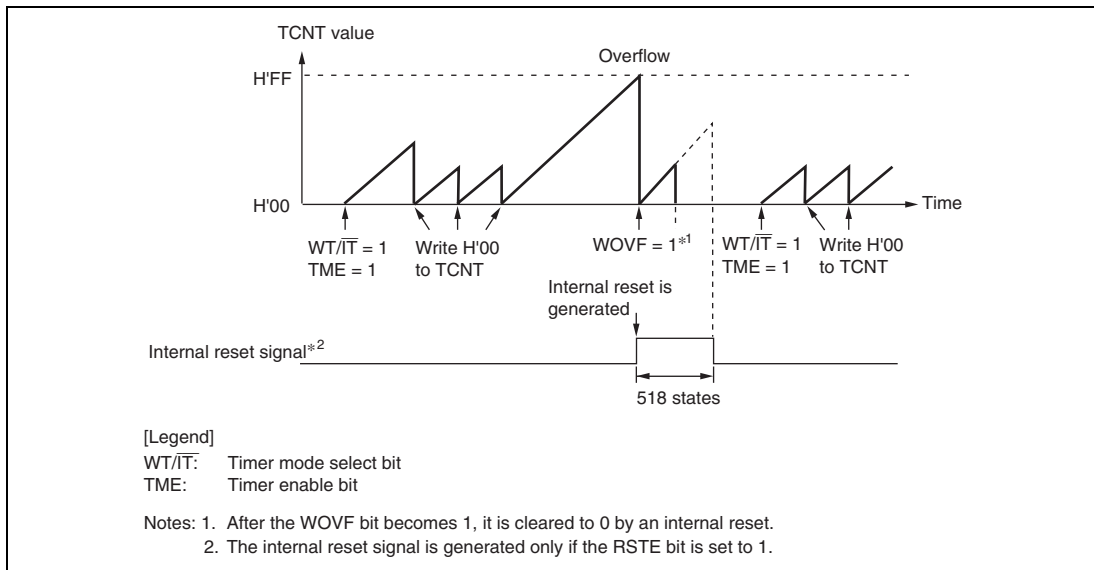
The WDTOVF signal is output for 132 states when the RSTE bit = 1 in RSTCSR, and for 130 states when the RSTE bit = 0.

The internal reset signal is output for 518 states. This is illustrated in figure 12.3 (a).

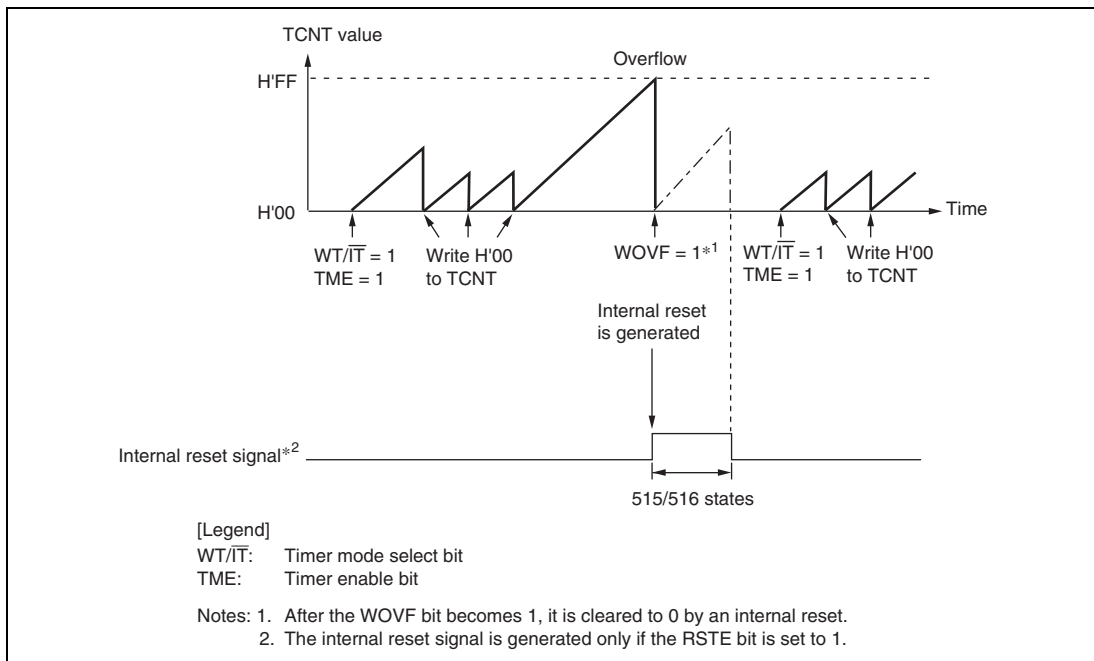
When the TCNT overflows in watchdog timer mode, the WOVF bit in RSTCSR is set to 1. If the RSTE bit in RSTCSR has been set to 1, an internal reset signal for the entire LSI is generated at TCNT overflow.

In the case of the WDT\_1, the chip is reset, or an NMI interrupt request is generated, for 516 system clock periods ( $516 \phi$ ) (515 or 516 states when the clock source is  $\phi_{SUB}$  (PSS = 1)). This is illustrated in figure 12.3 (b).

An NMI interrupt request from the watchdog timer and an interrupt request from the NMI pin are both treated as having the same vector. So, avoid handling an NMI interrupt request from the watchdog timer and an interrupt request from the NMI pin at the same time.



**Figure 12.3 (a) WDT\_0 Operation in Watchdog Timer Mode**



**Figure 12.3 (b) WDT\_1 Operation in Watchdog Timer Mode**

### 12.3.2 Interval Timer Mode

When the WDT is used as an interval timer, an interval timer interrupt (WOVI) is generated each time the TCNT overflows. Therefore, an interrupt can be generated at intervals.

When the TCNT overflows in interval timer mode, an interval timer interrupt (WOVI) is requested at the time the OVF bit of the TCSR is set to 1.

## 12.4 Interrupt Sources

During interval timer mode operation, an overflow generates an interval timer interrupt (WOVI). The interval timer interrupt is requested whenever the OVF flag is set to 1 in TCSR. OVF must be cleared to 0 in the interrupt handling routine.

If an NMI interrupt request has been selected in watchdog timer mode, an NMI interrupt request is generated when the TCNT overflows.

**Table 12.1 WDT Interrupt Sources**

<b>Name</b>	<b>Interrupt Source</b>	<b>Interrupt Flag</b>
WOVI	TCNT overflow (interval timer mode)	OVF
NMI	TCNT overflow (watchdog timer mode)	OVF



## 12.5 Usage Notes

### 12.5.1 Notes on Register Access

The watchdog timer's TCNT, TCSR, and RSTCSR registers differ from other registers in being more difficult to write to. The procedures for writing to and reading these registers are given below.

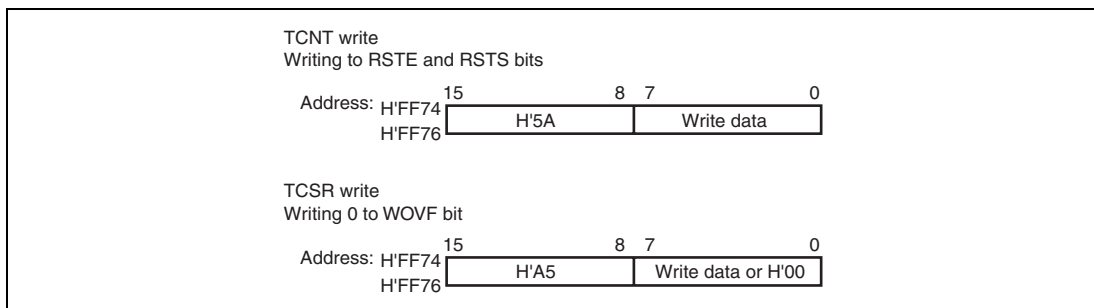
#### Writing to TCNT, TCSR, and RSTCSR

These registers must be written to by a word transfer instruction. They cannot be written to by a byte transfer instruction.

TCNT and TCSR both have the same write address. Therefore, the relative condition shown in figure 12.4 needs to be satisfied in order to write to TCNT or TCSR. The transfer instruction writes the lower byte data to TCNT or TCSR according to the satisfied condition.

To write to RSTCSR, execute a word transfer instruction for address H'FF76. A byte transfer instruction cannot write to RSTCSR.

The method of writing 0 to the WOVF bit differs from that of writing to the RSTE and RSTS bits. To write 0 to the WOVF bit, satisfy the condition shown in figure 12.4. If satisfied, the transfer instruction clears the WOVF bit to 0, but has no effect on the RSTE and RSTS bits. To write to the RSTE and RSTS bits, satisfy the condition shown in figure 12.4. If satisfied, the transfer instruction writes the values in bits 5 and 6 of the lower byte into the RSTE and RSTS bits, respectively, but has no effect on the WOVF bit.



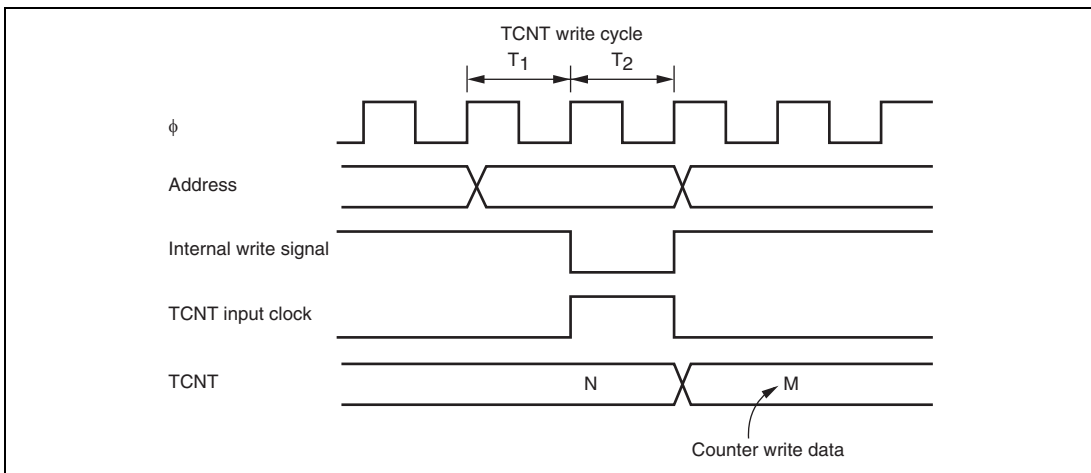
**Figure 12.4 Writing to TCNT, TCSR, and RSTCSR (example for WDT0)**

## Reading TCNT, TCSR, and RSTCSR (WDT0)

These registers are read in the same way as other registers. The read addresses are H'FF74 for TCSR, H'FF75 for TCNT, and H'FF77 for RSTCSR.

### 12.5.2 Contention between Timer Counter (TCNT) Write and Increment

If a timer counter clock pulse is generated during the T2 state of a TCNT write cycle, the write takes priority and the timer counter is not incremented. Figure 12.5 shows this operation.



**Figure 12.5 Contention between TCNT Write and Increment**

### 12.5.3 Changing Value of CKS2 to CKS0

If bits CKS0 to CKS2 in TCSR are written to while the WDT is operating, errors could occur in the incrementation. Software must be used to stop the watchdog timer (by clearing the TME bit to 0) before changing the value of bits CKS0 to CKS2.

### 12.5.4 Switching between Watchdog Timer Mode and Interval Timer Mode

If the mode is switched from watchdog timer to interval timer while the WDT is operating, errors could occur in the incrementation. Software must be used to stop the watchdog timer (by clearing the TME bit to 0) before switching the mode.

### 12.5.5 Internal Reset in Watchdog Timer Mode

This LSI is not reset internally if TCNT overflows while the RSTE bit is cleared to 0 during watchdog timer operation, however TCNT and TCSR of the WDT are reset.

TCNT, TCSR, or RSTCR cannot be written to for 132 states following an overflow. During this period, any attempt to read the WOVF flag is not acknowledged. Accordingly, wait 132 states after overflow to write 0 to the WOVF flag for clearing.

### 12.5.6 OVF Flag Clearing in Interval Timer Mode

When the OVF flag setting conflicts with the OVF flag reading in interval timer mode, writing 0 to the OVF bit may not clear the flag even though the OVF bit has been read while it is 1. If there is a possibility that the OVF flag setting and reading will conflict, such as when the OVF flag is polled with the interval timer interrupt disabled, read the OVF bit while it is 1 at least twice before writing 0 to the OVF bit to clear the flag.



## Section 13 Serial Communication Interface (SCI)

This LSI has four independent serial communication interface (SCI) channels. The SCI can handle both asynchronous and clocked synchronous serial communication. Serial data communication can be carried out using standard asynchronous communication chips such as a Universal Asynchronous Receiver/Transmitter (UART) or an Asynchronous Communication Interface Adapter (ACIA). A function is also provided for serial communication between processors (multiprocessor communication function). The SCI also supports an IC card (smart card) interface conforming to ISO/IEC 7816-3 (Identification Card) as a serial communication interface extension function.

Figure 13.1 shows a block diagram of the SCI.

### 13.1 Features

- Choice of asynchronous or clocked synchronous serial communication mode
- Full-duplex communication capability  
The transmitter and receiver are mutually independent, enabling transmission and reception to be executed simultaneously.  
Double-buffering is used in both the transmitter and the receiver, enabling continuous transmission and continuous reception of serial data.
- On-chip baud rate generator allows any bit rate to be selected  
External clock can be selected as a transfer clock source (except for in Smart card interface mode).
- Choice of LSB-first or MSB-first transfer (except in the case of asynchronous mode 7-bit data)
- Four interrupt sources  
Transmit-end, transmit-data-empty, receive-data-full, and receive error — that can issue requests.  
The transmit-data-empty interrupt and receive data full interrupts can be used to activate the data transfer controller (DTC).
- Module stop mode can be set

#### Asynchronous mode

- Data length: 7 or 8 bits
- Stop bit length: 1 or 2 bits
- Parity: Even, odd, or none
- Receive error detection: Parity, overrun, and framing errors

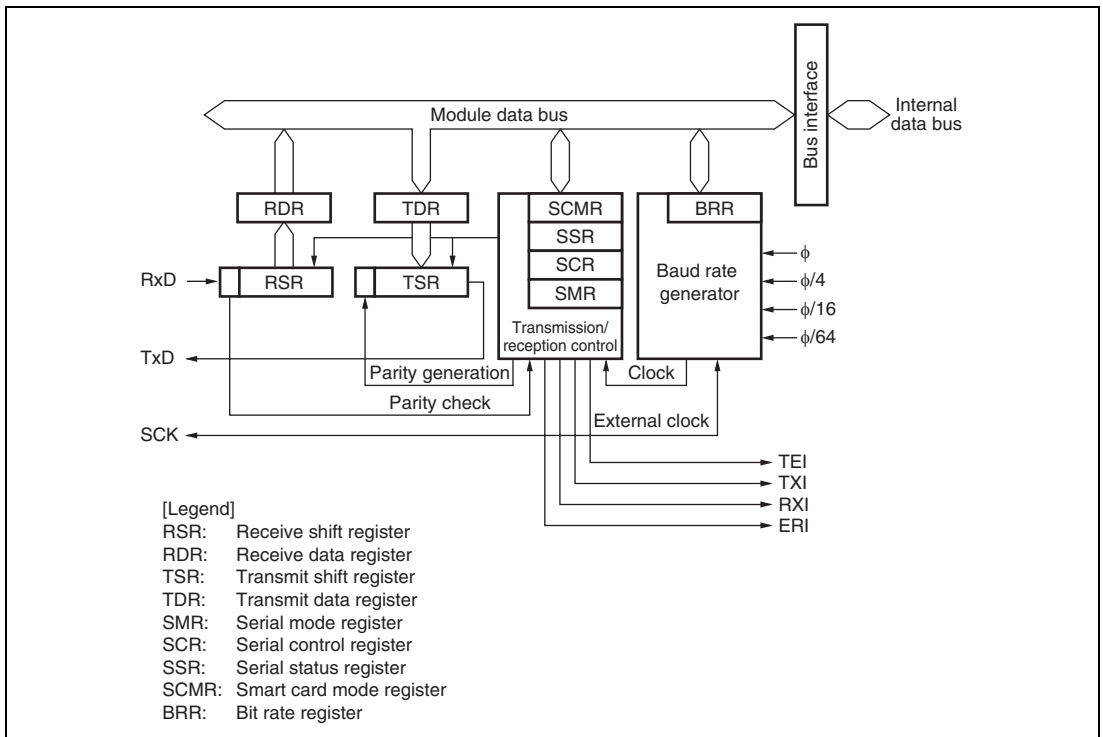
- Break detection: Break can be detected by reading the RxD pin level directly in the case of a framing error

### Clocked Synchronous mode

- Data length: 8 bits
- Receive error detection: Overrun errors detected

### Smart Card Interface

- Automatic transmission of error signal (parity error) in receive mode
- Error signal detection and automatic data retransmission in transmit mode
- Direct convention and inverse convention both supported



**Figure 13.1 Block Diagram of SCI**

## 13.2 Input/Output Pins

Table 13.1 shows the serial pins for each SCI channel.

**Table 13.1 Pin Configuration**

Channel	Pin Name*	I/O	Function
0	SCK0	I/O	SCI0 clock input/output
	RxD0	Input	SCI0 receive data input
	TxD0	Output	SCI0 transmit data output
1	SCK1	I/O	SCI1 clock input/output
	RxD1	Input	SCI1 receive data input
	TxD1	Output	SCI1 transmit data output
2	SCK2	I/O	SCI2 clock input/output
	RxD2	Input	SCI2 receive data input
	TxD2	Output	SCI2 transmit data output
4	SCK4	I/O	SCI4 clock input/output
	RxD4	Input	SCI4 receive data input
	TxD4	Output	SCI4 transmit data output

Note: \* Pin names SCK, RxD, and TxD are used in the text for all channels, omitting the channel designation.

### 13.3 Register Descriptions

The SCI has the following registers for each channel. The serial mode register (SMR), serial status register (SSR), and serial control register (SCR) are described separately for normal serial communication interface mode and smart card interface mode because their bit functions differ in part.

- Receive shift register (RSR)
- Receive data register (RDR)
- Transmit data register (TDR)
- Transmit shift register (TSR)
- Serial mode register (SMR)
- Serial control register (SCR)
- Serial status register (SSR)
- Smart card mode register (SCMR)
- Bit rate register (BRR)

#### 13.3.1 Receive Shift Register (RSR)

RSR is a shift register that is used to receive serial data input to the RxD pin and convert it into parallel data. When one byte of data has been received, it is transferred to RDR automatically. RSR cannot be directly accessed by the CPU.

#### 13.3.2 Receive Data Register (RDR)

RDR is an 8-bit register that stores received data. When the SCI has received one byte of serial data, it transfers the received serial data from RSR to RDR, where it is stored. After this, RSR is receive-enabled. As RSR and RDR function as a double buffer in this way, continuous receive operations are possible. After confirming that the RDRF bit in SSR is set to 1, read RDR only once. RDR cannot be written to by the CPU.



### 13.3.3 Transmit Data Register (TDR)

TDR is an 8-bit register that stores data for transmission. When the SCI detects that TSR is empty, it transfers the transmit data written in TDR to TSR and starts transmission. The double-buffered structure of TDR and TSR enables continuous serial transmission. If the next transmit data has already been written to TDR during serial transmission, the SCI transfers the written data to TSR to continue transmission. Although TDR can be read or written to by the CPU at all times, to achieve reliable serial transmission, write transmit data to TDR only once after confirming that the TDRE bit in SSR is set to 1.

### 13.3.4 Transmit Shift Register (TSR)

TSR is a shift register that transmits serial data. To perform serial data transmission, the SCI first transfers transmit data from TDR to TSR, then sends the data to the TxD pin. TSR cannot be directly accessed by the CPU.

### 13.3.5 Serial Mode Register (SMR)

SMR is used to set the SCI's serial transfer format and select the baud rate generator clock source.

Some bit functions of SMR differ between normal serial communication interface mode and smart card interface mode.

- Normal Serial Communication Interface Mode (When SMIF in SCMR is 0)

Bit	Bit Name	Initial Value	R/W	Description
7	C/ $\bar{A}$	0	R/W	Communication Mode 0: Asynchronous mode 1: Clocked synchronous mode
6	CHR	0	R/W	Character Length (enabled only in asynchronous mode) 0: Selects 8 bits as the data length. 1: Selects 7 bits as the data length. LSB-first is fixed and the MSB of TDR is not transmitted in transmission. In clocked synchronous mode, a fixed data length of 8 bits is used.

Bit	Bit Name	Initial Value	R/W	Description
5	PE	0	R/W	Parity Enable (enabled only in asynchronous mode) When this bit is set to 1, the parity bit is added to transmit data before transmission, and the parity bit is checked in reception. For a multiprocessor format, parity bit addition and checking are not performed regardless of the PE bit setting.
4	O/ $\bar{E}$	0	R/W	Parity Mode (enabled only when the PE bit is 1 in asynchronous mode) 0: Selects even parity. 1: Selects odd parity.
3	STOP	0	R/W	Stop Bit Length (enabled only in asynchronous mode) Selects the stop bit length in transmission. 0: 1 stop bit 1: 2 stop bits In reception, only the first stop bit is checked. If the second stop bit is 0, it is treated as the start bit of the next transmit character.
2	MP	0	R/W	Multiprocessor Mode (enabled only in asynchronous mode) When this bit is set to 1, the multiprocessor communication function is enabled. The PE bit and O/ $\bar{E}$ bit settings are invalid in multiprocessor mode.
1	CKS1	0	R/W	Clock Select 0 and 1:
0	CKS0	0	R/W	These bits select the clock source for the baud rate generator. 00: $\phi$ clock (n = 0) 01: $\phi/4$ clock (n = 1) 10: $\phi/16$ clock (n = 2) 11: $\phi/64$ clock (n = 3) For the relationship between the bit rate register setting and the baud rate, see section 13.3.9, Bit Rate Register (BRR). n is the decimal representation of the value of n in BRR (see section 13.3.9, Bit Rate Register (BRR)).

- Smart Card Interface Mode (When SMIF in SCMR is 1)

Bit	Bit Name	Initial Value	R/W	Description
7	GM	0	R/W	<p>GSM Mode</p> <p>When this bit is set to 1, the SCI operates in GSM mode. In GSM mode, the timing of the TEND setting is advanced by 11.0 etu (Elementary Time Unit: the time for transfer of one bit), and clock output control mode addition is performed. For details, see section 13.7.8, Clock Output Control.</p>
6	BLK	0	R/W	<p>When this bit is set to 1, the SCI operates in block transfer mode. For details on block transfer mode, see section 13.7.3, Block Transfer Mode.</p>
5	PE	0	R/W	<p>Parity Enable (enabled only in asynchronous mode)</p> <p>When this bit is set to 1, the parity bit is added to transmit data in transmission, and the parity bit is checked in reception. In smart card interface mode, this bit must be set to 1.</p>
4	O/ $\bar{E}$	0	R/W	<p>Parity Mode (enabled only when the PE bit is 1 in asynchronous mode)</p> <p>0: Selects even parity. 1: Selects odd parity.</p> <p>For details on setting this bit in smart card interface mode, see section 13.7.2, Data Format (Except for Block Transfer Mode).</p>
3	BCP1	0	R/W	Basic Clock Pulse 1 and 2
2	BCP0	0	R/W	<p>These bits specify the number of basic clock periods in a 1-bit transfer interval on the smart card interface.</p> <p>00: 32 clock (S = 32) 01: 64 clock (S = 64) 10: 372 clock (S = 372) 11: 256 clock (S = 256)</p> <p>For details, see section 13.7.4, Receive Data Sampling Timing and Reception Margin in smart card Interface Mode. S stands for the value of S in BRR (see section 13.3.9, Bit Rate Register (BRR)).</p>

Bit	Bit Name	Initial Value	R/W	Description
1	CKS1	0	R/W	Clock Select 0 and 1
0	CKS0	0	R/W	These bits select the clock source for the baud rate generator. 00: $\phi$ clock (n = 0) 01: $\phi/4$ clock (n = 1) 10: $\phi/16$ clock (n = 2) 11: $\phi/64$ clock (n = 3) For the relationship between the bit rate register setting and the baud rate, see section 13.3.9, Bit Rate Register (BRR). n is the decimal representation of the value of n in BRR (see section 13.3.9, Bit Rate Register (BRR)).

### 13.3.6 Serial Control Register (SCR)

SCR is a register that enables or disables SCI transfer operations and interrupt requests, and is also used to selection of the transfer clock source. For details on interrupt requests, see section 13.8, Interrupt Sources. Some bit functions of SCR differ between normal serial communication interface mode and smart card interface mode.

- Normal Serial Communication Interface Mode (When SMIF in SCMR is 0)

Bit	Bit Name	Initial Value	R/W	Description
7	TIE	0	R/W	Transmit Interrupt Enable When this bit is set to 1, the TXI interrupt request is enabled.
6	RIE	0	R/W	Receive Interrupt Enable When this bit is set to 1, RXI and ERI interrupt requests are enabled.
5	TE	0	R/W	Transmit Enable When this bit s set to 1, transmission is enabled.
4	RE	0	R/W	Receive Enable When this bit is set to 1, reception is enabled.

Bit	Bit Name	Initial Value	R/W	Description
3	MPIE	0	R/W	<p>Multiprocessor Interrupt Enable (enabled only when the MP bit in SMR is 1 in asynchronous mode)</p> <p>When this bit is set to 1, receive data in which the multiprocessor bit is 0 is skipped, and setting of the RDRF, FER, and ORER status flags in SSR is prohibited. On receiving data in which the multiprocessor bit is 1, this bit is automatically cleared and normal reception is resumed. For details, see section 13.5, Multiprocessor Communication Function.</p>
2	TEIE	0	R/W	<p>Transmit End Interrupt Enable</p> <p>This bit is set to 1, TEI interrupt request is enabled.</p>
1	CKE1	0	R/W	Clock Enable 0 and 1
0	CKE0	0	R/W	<p>Selects the clock source and SCK pin function.</p> <p>Asynchronous mode</p> <p>00: Internal baud rate generator SCK pin functions as I/O port</p> <p>01: Internal baud rate generator Outputs a clock of the same frequency as the bit rate from the SCK pin.</p> <p>1X: External clock Inputs a clock with a frequency 16 times the bit rate from the SCK pin.</p> <p>Clocked synchronous mode</p> <p>0X: Internal clock (SCK pin functions as clock output)</p> <p>1X: External clock (SCK pin functions as clock input)</p>

[Legend]

X: Don't care

- Smart Card Interface Mode (When SMIF in SCMR is 1)

Bit	Bit Name	Initial Value	R/W	Description
7	TIE	0	R/W	Transmit Interrupt Enable When this bit is set to 1, TXI interrupt request is enabled.
6	RIE	0	R/W	Receive Interrupt Enable When this bit is set to 1, RXI and ERI interrupt requests are enabled.
5	TE	0	R/W	Transmit Enable When this bit is set to 1, transmission is enabled.
4	RE	0	R/W	Receive Enable When this bit is set to 1, reception is enabled.
3	MPIE	0	R/W	Multiprocessor Interrupt Enable (enabled only when the MP bit in SMR is 1 in asynchronous mode) Write 0 to this bit in smart card interface mode.
2	TEIE	0	R/W	Transmit End Interrupt Enable Write 0 to this bit in smart card interface mode.
1	CKE1	0	R/W	Clock Enable 0 and 1
0	CKE0	0	R/W	Enables or disables clock output from the SCK pin. The clock output can be dynamically switched in GSM mode. For details, see section 13.7.8, Clock Output Control. When the GM bit in SMR is 0: 00: Output disabled (SCK pin can be used as an I/O port pin) 01: Clock output 1X: Reserved When the GM bit in SMR is 1: 00: Output fixed low 01: Clock output 10: Output fixed high 11: Clock output

## [Legend]

X: Don't care

### 13.3.7 Serial Status Register (SSR)

SSR is a register containing status flags of the SCI and multiprocessor bits for transfer. 1 cannot be written to flags TDRE, RDRF, ORER, PER, and FER; they can only be cleared. Some bit functions of SSR differ between normal serial communication interface mode and smart card interface mode.

- Normal Serial Communication Interface Mode (When SMIF in SCMR is 0)

Bit	Bit Name	Initial Value	R/W	Description
7	TDRE	1	R/W	<p>Transmit Data Register Empty</p> <p>Displays whether TDR contains transmit data.</p> <p>[Setting conditions]</p> <ul style="list-style-type: none"> <li>• When the TE bit in SCR is 0</li> <li>• When data is transferred from TDR to TSR and data can be written to TDR</li> </ul> <p>[Clearing conditions]</p> <ul style="list-style-type: none"> <li>• When 0 is written to TDRE after reading TDRE = 1</li> <li>• When the DTC is activated by a TXI interrupt request and writes data to TDR</li> </ul>
6	RDRF	0	R/W	<p>Receive Data Register Full</p> <p>Indicates that the received data is stored in RDR.</p> <p>[Setting condition]</p> <ul style="list-style-type: none"> <li>• When serial reception ends normally and receive data is transferred from RSR to RDR</li> </ul> <p>[Clearing conditions]</p> <ul style="list-style-type: none"> <li>• When 0 is written to RDRF after reading RDRF = 1</li> <li>• When the DTC is activated by an RXI interrupt and transferred data from RDR</li> </ul> <p>The RDRF flag is not affected and retains their previous values when the RE bit in SCR is cleared to 0.</p>

Bit	Bit Name	Initial Value	R/W	Description
5	ORER	0	R/W	Overrun Error [Setting condition] <ul style="list-style-type: none"> <li>When the next serial reception is completed while RDRF = 1</li> </ul> [Clearing condition] <ul style="list-style-type: none"> <li>When 0 is written to ORER after reading ORER = 1</li> </ul>
4	FER	0	R/W	Framing Error [Setting condition] <ul style="list-style-type: none"> <li>When the stop bit is 0</li> </ul> [Clearing condition] <ul style="list-style-type: none"> <li>When 0 is written to FER after reading FER = 1 In 2-stop-bit mode, only the first stop bit is checked.</li> </ul>
3	PER	0	R/W	Parity Error [Setting condition] <ul style="list-style-type: none"> <li>When a parity error is detected during reception</li> </ul> [Clearing condition] <ul style="list-style-type: none"> <li>When 0 is written to PER after reading PER = 1</li> </ul>
2	TEND	1	R	Transmit End [Setting conditions] <ul style="list-style-type: none"> <li>When the TE bit in SCR is 0</li> <li>When TDRE = 1 at transmission of the last bit of a 1-byte serial transmit character</li> </ul> [Clearing conditions] <ul style="list-style-type: none"> <li>When 0 is written to TDRE after reading TDRE = 1</li> <li>When the DTC is activated by a TXI interrupt and writes data to TDR</li> </ul>
1	MPB	0	R	Multiprocessor Bit MPB stores the multiprocessor bit in the receive data. When the RE bit in SCR is cleared to 0 its previous state is retained.
0	MPBT	0	R/W	Multiprocessor Bit Transfer MPBT stores the multiprocessor bit to be added to the transmit data.



- Smart Card Interface Mode (When SMIF in SCMR is 1)

Bit	Bit Name	Initial Value	R/W	Description
7	TDRE	1	R/W	<p>Transmit Data Register Empty</p> <p>Displays whether TDR contains transmit data.</p> <p>[Setting conditions]</p> <ul style="list-style-type: none"> <li>When the TE bit in SCR is 0</li> <li>When data is transferred from TDR to TSR and data can be written to TDR</li> </ul> <p>[Clearing conditions]</p> <ul style="list-style-type: none"> <li>When 0 is written to TDRE after reading TDRE = 1</li> <li>When the DTC is activated by a TXI interrupt request and writes data to TDR</li> </ul>
6	RDRF	0	R/W	<p>Receive Data Register Full</p> <p>Indicates that the received data is stored in RDR.</p> <p>[Setting condition]</p> <ul style="list-style-type: none"> <li>When serial reception ends normally and receive data is transferred from RSR to RDR</li> </ul> <p>[Clearing conditions]</p> <ul style="list-style-type: none"> <li>When 0 is written to RDRF after reading RDRF = 1</li> <li>When the DTC is activated by an RXI interrupt and transferred data from RDR</li> </ul> <p>The RDRF flag is not affected and retains their previous values when the RE bit in SCR is cleared to 0.</p>
5	ORER	0	R/W	<p>Overrun Error</p> <p>[Setting condition]</p> <ul style="list-style-type: none"> <li>When the next serial reception is completed while RDRF = 1</li> </ul> <p>[Clearing condition]</p> <ul style="list-style-type: none"> <li>When 0 is written to ORER after reading ORER = 1</li> </ul>
4	ERS	0	R/W	<p>Error Signal Status</p> <p>[Setting condition]</p> <ul style="list-style-type: none"> <li>When the low level of the error signal is sampled</li> </ul> <p>[Clearing conditions]</p> <ul style="list-style-type: none"> <li>When 0 is written to ERS after reading ERS = 1</li> </ul>

Bit	Bit Name	Initial Value	R/W	Description
3	PER	0	R/W	<p>Parity Error</p> <p>[Setting condition]</p> <ul style="list-style-type: none"> <li>When a parity error is detected during reception</li> </ul> <p>[Clearing condition]</p> <ul style="list-style-type: none"> <li>When 0 is written to PER after reading PER = 1</li> </ul>
2	TEND	1	R	<p>Transmit End</p> <p>This bit is set to 1 when no error signal has been sent back from the receiving end and the next transmit data is ready to be transferred to TDR.</p> <p>[Setting conditions]</p> <ul style="list-style-type: none"> <li>When the TE bit in SCR is 0 and the ERS bit is also 0</li> <li>When the ERS bit is 0 and the TDRE bit is 1 after the specified interval following transmission of 1-byte data.</li> </ul> <p>The timing of bit setting differs according to the register setting as follows:</p> <p>When GM = 0 and BLK = 0, 2.5 etu after transmission starts</p> <p>When GM = 0 and BLK = 1, 1.5 etu after transmission starts</p> <p>When GM = 1 and BLK = 0, 1.0 etu after transmission starts</p> <p>When GM = 1 and BLK = 1, 1.0 etu after transmission starts</p> <p>[Clearing conditions]</p> <ul style="list-style-type: none"> <li>When 0 is written to TDRE after reading TDRE = 1</li> <li>When the DTC is activated by a TXI interrupt and writes data to TDR</li> </ul>
1	MPB	0	R	<p>Multiprocessor Bit</p> <p>This bit is not used in smart card interface mode.</p>
0	MPBT	0	R/W	<p>Multiprocessor Bit Transfer</p> <p>Write 0 to this bit in smart card interface mode.</p>

### 13.3.8 Smart Card Mode Register (SCMR)

SCMR is a register that selects smart card interface mode and its format.

Bit	Bit Name	Initial Value	R/W	Description
7 to 4	—	All 1	—	Reserved These bits are always read as 1.
3	SDIR	0	R/W	Smart Card Data Transfer Direction Selects the serial/parallel conversion format. 0: LSB-first in transfer 1: MSB-first in transfer The bit setting is valid only when the transfer data format is 8 bits. For 7-bit data, LSB-first is fixed.
2	SINV	0	R/W	Smart Card Data Invert Specifies inversion of the data logic level. The SINV bit does not affect the logic level of the parity bit. To invert the parity bit, invert the $O/\bar{E}$ bit in SMR. 0: TDR contents are transmitted as they are. Receive data is stored as it is in RDR 1: TDR contents are inverted before being transmitted. Receive data is stored in inverted form in RDR
1	—	1	—	Reserved This bit is always read as 1.
0	SMIF	0	R/W	Smart Card Interface Mode Select This bit is set to 1 to make the SCI operate in smart card interface mode. 0: Normal asynchronous mode or clocked synchronous mode 1: Smart card interface mode

### 13.3.9 Bit Rate Register (BRR)

BRR is an 8-bit register that adjusts the bit rate. As the SCI performs baud rate generator control independently for each channel, different bit rates can be set for each channel. Table 13.2 shows the relationships between the N setting in BRR and bit rate B for normal asynchronous mode, clocked synchronous mode, and smart card interface mode. The initial value of BRR is H'FF, and it can be read or written to by the CPU at all times.

**Table 13.2 The Relationships between The N Setting in BRR and Bit Rate B**

Mode	BRR Setting N	Error
Asynchronous Mode	$N = \frac{\phi \times 10^6}{64 \times 2^{2n-1} \times B} - 1$	$\text{Error (\%)} = \left\{ \frac{\phi \times 10^6}{B \times 64 \times 2^{2n-1} \times (N + 1)} - 1 \right\} \times 100$
Clocked Synchronous Mode	$N = \frac{\phi \times 10^6}{8 \times 2^{2n-1} \times B} - 1$	
Smart Card Interface Mode	$N = \frac{\phi \times 10^6}{S \times 2^{2n+1} \times B} - 1$	$\text{Error (\%)} = \left\{ \frac{\phi \times 10^6}{B \times S \times 2^{2n+1} \times (N + 1)} - 1 \right\} \times 100$

[Legend]

B: Bit rate (bit/s)

N: BRR setting for baud rate generator ( $0 \leq N \leq 255$ )

$\phi$ : Operating frequency (MHz)

n and S: Determined by the SMR settings shown in the following tables.

SMR Setting			SMR Setting		
CKS1	CKS0	n	BCP1	BCP0	S
0	0	0	0	0	32
0	1	1	0	1	64
1	0	2	1	0	372
1	1	3	1	1	256

Table 13.3 shows sample N settings in BRR in normal asynchronous mode. Table 13.4 shows the maximum bit rate for each frequency in normal asynchronous mode. Table 13.6 shows sample N settings in BRR in clocked synchronous mode. Table 13.8 shows sample N settings in BRR in smart card interface mode. In smart card interface mode, S (the number of basic clock periods in a 1-bit transfer interval) can be selected. For details, see section 13.7.4, Receive Data Sampling Timing and Reception Margin in smart card Interface Mode. Tables 13.5 and 13.7 show the maximum bit rates with external clock input.

**Table 13.3 BRR Settings for Various Bit Rates (Asynchronous Mode) (1)**

Bit Rate (bit/s)	Operating Frequency $\phi$ (MHz)								
	4			4.9152			5		
	n	N	Error (%)	n	N	Error (%)	n	N	Error (%)
110	2	70	0.03	2	86	0.31	2	88	-0.25
150	1	207	0.16	1	255	0.00	2	64	0.16
300	1	103	0.16	1	127	0.00	1	129	0.16
600	0	207	0.16	0	255	0.00	1	64	0.16
1200	0	103	0.16	0	127	0.00	0	129	0.16
2400	0	51	0.16	0	63	0.00	0	64	0.16
4800	0	25	0.16	0	31	0.00	0	32	-1.36
9600	0	12	0.16	0	15	0.00	0	15	1.73
19200	—	—	—	0	7	0.00	0	7	1.73
31250	0	3	0.00	0	4	-1.70	0	4	0.00
38400	—	—	—	0	3	0.00	0	3	1.73

Bit Rate (bit/s)	Operating Frequency $\phi$ (MHz)											
	6			6.144			7.3728			8		
	n	N	Error (%)	n	N	Error (%)	n	N	Error (%)	n	N	Error (%)
110	2	106	-0.44	2	108	0.08	2	130	-0.07	2	141	0.03
150	2	77	0.16	2	79	0.00	2	95	0.00	2	103	0.16
300	1	155	0.16	1	159	0.00	1	191	0.00	1	207	0.16
600	1	77	0.16	1	79	0.00	1	95	0.00	1	103	0.16
1200	0	155	0.16	0	159	0.00	0	191	0.00	0	207	0.16
2400	0	77	0.16	0	79	0.00	0	95	0.00	0	103	0.16
4800	0	38	0.16	0	39	0.00	0	47	0.00	0	51	0.16
9600	0	19	-2.34	0	19	0.00	0	23	0.00	0	25	0.16
19200	0	9	-2.34	0	9	0.00	0	11	0.00	0	12	0.16
31250	0	5	0.00	0	5	2.40	—	—	—	0	7	0.00
38400	0	4	-2.34	0	4	0.00	0	5	0.00	—	—	—

**Table 13.3 BRR Settings for Various Bit Rates (Asynchronous Mode) (2)**

Bit Rate (bit/s)	Operating Frequency $\phi$ (MHz)											
	9.8304			10			12			12.288		
	n	N	Error (%)	n	N	Error (%)	n	N	Error (%)	n	N	Error (%)
110	2	174	-0.26	2	177	-0.25	2	212	0.03	2	217	0.08
150	2	127	0.00	2	129	0.16	2	155	0.16	2	159	0.00
300	1	255	0.00	2	64	0.16	2	77	0.16	2	79	0.00
600	1	127	0.00	1	129	0.16	1	155	0.16	1	159	0.00
1200	0	255	0.00	1	64	0.16	1	77	0.16	1	79	0.00
2400	0	127	0.00	0	129	0.16	0	155	0.16	0	159	0.00
4800	0	63	0.00	0	64	0.16	0	77	0.16	0	79	0.00
9600	0	31	0.00	0	32	-1.36	0	38	0.16	0	39	0.00
19200	0	15	0.00	0	15	1.73	0	19	-2.34	0	19	0.00
31250	0	9	-1.70	0	9	0.00	0	11	0.00	0	11	2.40
38400	0	7	0.00	0	7	1.73	0	9	-2.34	0	9	0.00

Bit Rate (bit/s)	Operating Frequency $\phi$ (MHz)											
	14			14.7456			16			17.2032		
	n	N	Error (%)	n	N	Error (%)	n	N	Error (%)	n	N	Error (%)
110	2	248	-0.17	3	64	0.70	3	70	0.03	3	75	0.48
150	2	181	0.13	2	191	0.00	2	207	0.13	2	223	0.00
300	2	90	0.13	2	95	0.00	2	103	0.13	2	111	0.00
600	1	181	0.13	1	191	0.00	1	207	0.13	1	223	0.00
1200	1	90	0.13	1	95	0.00	1	103	0.13	1	111	0.00
2400	0	181	0.13	0	191	0.00	0	207	0.13	0	223	0.00
4800	0	90	0.13	0	95	0.00	0	103	0.13	0	111	0.00
9600	0	45	-0.93	0	47	0.00	0	51	0.13	0	55	0.00
19200	0	22	-0.93	0	23	0.00	0	25	0.13	0	27	0.00
31250	0	13	0.00	0	14	-1.70	0	15	0.00	0	13	1.20
38400	—	—	—	0	11	0.00	0	12	0.13	0	13	0.00

**Table 13.3 BRR Settings for Various Bit Rates (Asynchronous Mode) (3)**

Bit Rate (bit/s)	Operating Frequency $\phi$ (MHz)											
	18			19.6608			20			24		
	n	N	Error (%)	n	N	Error (%)	n	N	Error (%)	n	N	Error (%)
110	3	79	-0.12	3	86	0.31	3	88	-0.25	3	106	-0.44
150	2	233	0.16	2	255	0.00	3	64	0.16	3	77	0.16
300	2	116	0.16	2	127	0.00	2	129	0.16	2	155	0.16
600	1	233	0.16	1	255	0.00	2	64	0.16	2	77	0.16
1200	1	116	0.16	1	127	0.00	1	129	0.16	1	155	0.16
2400	0	233	0.16	0	255	0.00	1	64	0.16	1	77	0.16
4800	0	116	0.16	0	127	0.00	0	129	0.16	0	155	0.16
9600	0	58	-0.69	0	63	0.00	0	64	0.16	0	77	0.16
19200	0	28	1.02	0	31	0.00	0	32	-1.36	0	38	0.16
31250	0	17	0.00	0	19	-1.70	0	19	0.00	0	23	0
38400	0	14	-2.34	0	15	0.00	0	15	1.73	0	19	-2.34

**Table 13.4 Maximum Bit Rate for Each Frequency (Asynchronous Mode)**

$\phi$ (MHz)	Maximum Bit Rate (bit/s)	n	N	$\phi$ (MHz)	Maximum Bit Rate (bit/s)	n	N
4	125000	0	0	12	375000	0	0
4.9152	153600	0	0	12.288	384000	0	0
5	156250	0	0	14	437500	0	0
6	187500	0	0	14.7456	460800	0	0
6.144	192000	0	0	16	500000	0	0
7.3728	230400	0	0	17.2032	537600	0	0
8	250000	0	0	18	562500	0	0
9.8304	307200	0	0	19.6608	614400	0	0
10	312500	0	0	20	625000	0	0
				24	750000	0	0

**Table 13.5 Maximum Bit Rate with External Clock Input (Asynchronous Mode)**

$\phi$ (MHz)	External Input Clock (MHz)	Maximum Bit Rate (bit/s)	$\phi$ (MHz)	External Input Clock (MHz)	Maximum Bit Rate (bit/s)
4	1.0000	62500	12	3.0000	187500
4.9152	1.2288	76800	12.288	3.0720	192000
5	1.2500	78125	14	3.5000	218750
6	1.5000	93750	14.7456	3.6864	230400
6.144	1.5360	96000	16	4.0000	250000
7.3728	1.8432	115200	17.2032	4.3008	268800
8	2.0000	125000	18	4.5000	281250
9.8304	2.4576	153600	19.6608	4.9152	307200
10	2.5000	156250	20	5.0000	312500
			24	6.0000	375000



**Table 13.6 BRR Settings for Various Bit Rates (Clocked Synchronous Mode)**

Bit Rate (bit/s)	Operating Frequency $\phi$ (MHz)											
	4		8		10		16		20		24	
	n	N	n	N	n	N	n	N	n	N	n	N
110	—	—										
250	2	249	3	124	—	—	3	249				
500	2	124	2	249	—	—	3	124	—	—	—	—
1k	1	249	2	124	—	—	2	249	—	—	—	—
2.5k	1	99	1	199	1	249	2	99	2	124	2	149
5k	0	199	1	99	1	124	1	199	1	249	2	74
10k	0	99	0	199	0	249	1	99	1	124	1	149
25k	0	39	0	79	0	99	0	159	0	199	1	59
50k	0	19	0	39	0	49	0	79	0	99	1	29
100k	0	9	0	19	0	24	0	39	0	49	0	59
250k	0	3	0	7	0	9	0	15	0	19	0	23
500k	0	1	0	3	0	4	0	7	0	9	0	11
1M	0	0*	0	1			0	3	0	4	0	5
2.5M					0	0*			0	1	—	—
5M									0	0*	—	—

[Legend]

Blank: Setting prohibited.

—: Can be set, but there will be a degree of error.

\*: Continuous transfer is not possible.

**Table 13.7 Maximum Bit Rate with External Clock Input (Clocked Synchronous Mode)**

$\phi$ (MHz)	External Input Clock (MHz)	Maximum Bit Rate (bit/s)	$\phi$ (MHz)	External Input Clock (MHz)	Maximum Bit Rate (bit/s)
4	0.6667	666666.7	14	2.3333	2333333.3
6	1.0000	1.000000.0	16	2.6667	2666666.7
8	1.3333	1333333.3	18	3.0000	3000000.0
10	1.6667	1666666.7	20	3.3333	3333333.3
12	2.0000	2000000.0	24	4	4000000.0

**Table 13.8 Examples of Bit Rate for Various BRR Settings (Smart Card Interface Mode)**  
(When  $n = 0$  and  $S = 372$ )

Bit Rate (bit/s)	Operating Frequency $\phi$ (MHz)											
	7.1424			10.00			10.7136			13.00		
	n	N	Error (%)	n	N	Error (%)	n	N	Error (%)	n	N	Error (%)
9600	0	0	0.00	0	1	30	0	1	25	0	1	8.99

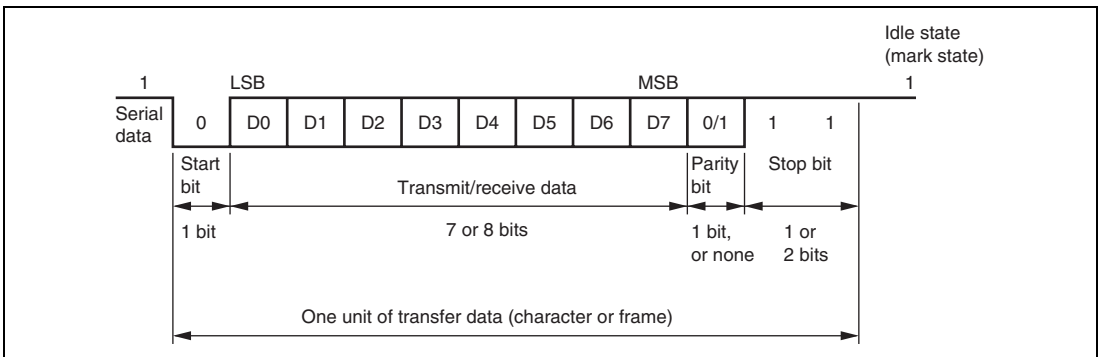
Bit Rate (bit/s)	Operating Frequency $\phi$ (MHz)														
	14.2848			16.00			18.00			20.00			24.00		
	n	N	Error (%)	n	N	Error (%)	n	N	Error (%)	n	N	Error (%)	n	N	Error (%)
9600	0	1	0.00	0	1	12.01	0	2	15.99	0	2	6.60	0	2	12.01

**Table 13.9 Maximum Bit Rate at Various Frequencies (Smart Card Interface Mode)**  
(when  $S = 372$ )

$\phi$ (MHz)	Maximum Bit Rate (bit/s)	n	N	$\phi$ (MHz)	Maximum Bit Rate (bit/s)	n	N
7.1424	9600	0	0	14.2848	19200	0	0
10.00	13441	0	0	16.00	21505	0	0
10.7136	14400	0	0	18.00	24194	0	0
13.00	17473	0	0	20.00	26882	0	0
				24.00	32258	0	0

## 13.4 Operation in Asynchronous Mode

Figure 13.2 shows the general format for asynchronous serial communication. One frame consists of a start bit (low level), followed by data (in LSB-first order), a parity bit (high or low level), and finally stop bits (high level). In asynchronous serial communication, the transmission line is usually held in the mark state (high level). The SCI monitors the transmission line. When the transmission line goes to the space state (low level), the SCI recognizes a start bit and starts serial communication. In asynchronous serial communication, the communication line is usually held in the mark state (high level). The SCI monitors the communication line, and when it goes to the space state (low level), recognizes a start bit and starts serial communication. Inside the SCI, the transmitter and receiver are independent units, enabling full-duplex. Both the transmitter and the receiver also have a double-buffered structure, so data can be read or written during transmission or reception, enabling continuous data transfer.



**Figure 13.2 Data Format in Asynchronous Communication  
(Example with 8-Bit Data, Parity, Two Stop Bits)**

### 13.4.1 Data Transfer Format

Table 13.10 shows the data transfer formats that can be used in asynchronous mode. Any of 12 transfer formats can be selected according to the SMR setting. For details on the multiprocessor bit, see section 13.5, Multiprocessor Communication Function.

**Table 13.10 Serial Transfer Formats (Asynchronous Mode)**

SMR Settings				Serial Transfer Format and Frame Length														
CHR	PE	MP	STOP	1	2	3	4	5	6	7	8	9	10	11	12			
0	0	0	0	S	8-bit data								STOP					
0	0	0	1	S	8-bit data								STOP	STOP				
0	1	0	0	S	8-bit data								P	STOP				
0	1	0	1	S	8-bit data								P	STOP	STOP			
1	0	0	0	S	7-bit data							STOP						
1	0	0	1	S	7-bit data							STOP	STOP					
1	1	0	0	S	7-bit data							P	STOP					
1	1	0	1	S	7-bit data							P	STOP	STOP				
0	—	1	0	S	8-bit data								MPB	STOP				
0	—	1	1	S	8-bit data								MPB	STOP	STOP			
1	—	1	0	S	7-bit data							MPB	STOP					
1	—	1	1	S	7-bit data							MPB	STOP	STOP				

[Legend]

S: Start bit

STOP: Stop bit

P: Parity bit

MPB: Multiprocessor bit

### 13.4.2 Receive Data Sampling Timing and Reception Margin in Asynchronous Mode

In asynchronous mode, the SCI operates on a basic clock with a frequency of 16 times the transfer rate. In reception, the SCI samples the falling edge of the start bit using the basic clock, and performs internal synchronization. Receive data is latched internally at the rising edge of the 8th pulse of the basic clock as shown in figure 13.3. Thus, the reception margin in asynchronous mode is given by formula (1) below.

$$M = \left\{ \left( 0.5 - \frac{1}{2N} \right) - \frac{D - 0.5}{N} - (L - 0.5) F \right\} \times 100 [\%]$$

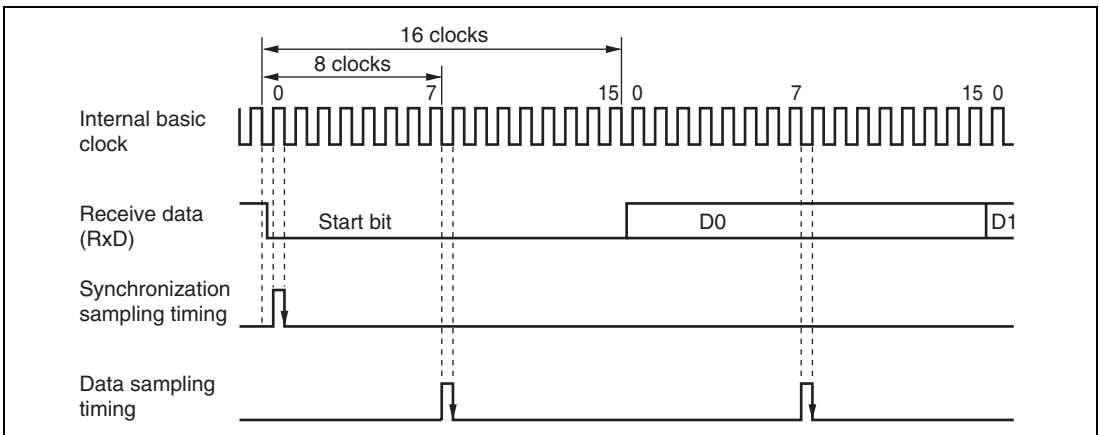
... Formula (1)

Where N: Ratio of bit rate to clock ( $N = 16$ )  
 D: Clock duty cycle ( $D = 0.5$  to  $1.0$ )  
 L: Frame length ( $L = 9$  to  $12$ )  
 F: Absolute value of clock rate deviation

Assuming values of F (absolute value of clock rate deviation) = 0 and D (clock duty cycle) = 0.5 in formula (1), the reception margin can be given by the formula.

$$M = \left\{ 0.5 - 1/(2 \times 16) \right\} \times 100 [\%] = 46.875\%$$

However, this is only the computed value, and a margin of 20% to 30% should be allowed for in system design.

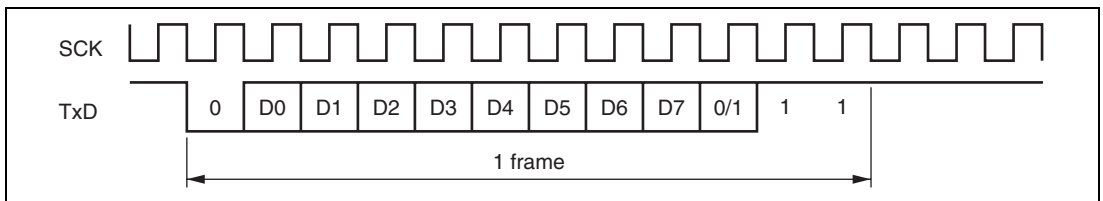


**Figure 13.3 Receive Data Sampling Timing in Asynchronous Mode**

### 13.4.3 Clock

Either an internal clock generated by the on-chip baud rate generator or an external clock input at the SCK pin can be selected as the SCI's serial clock, according to the setting of the  $C/\bar{A}$  bit in SMR and the CKE0 and CKE1 bits in SCR. When an external clock is input at the SCK pin, the clock frequency should be 16 times the bit rate used.

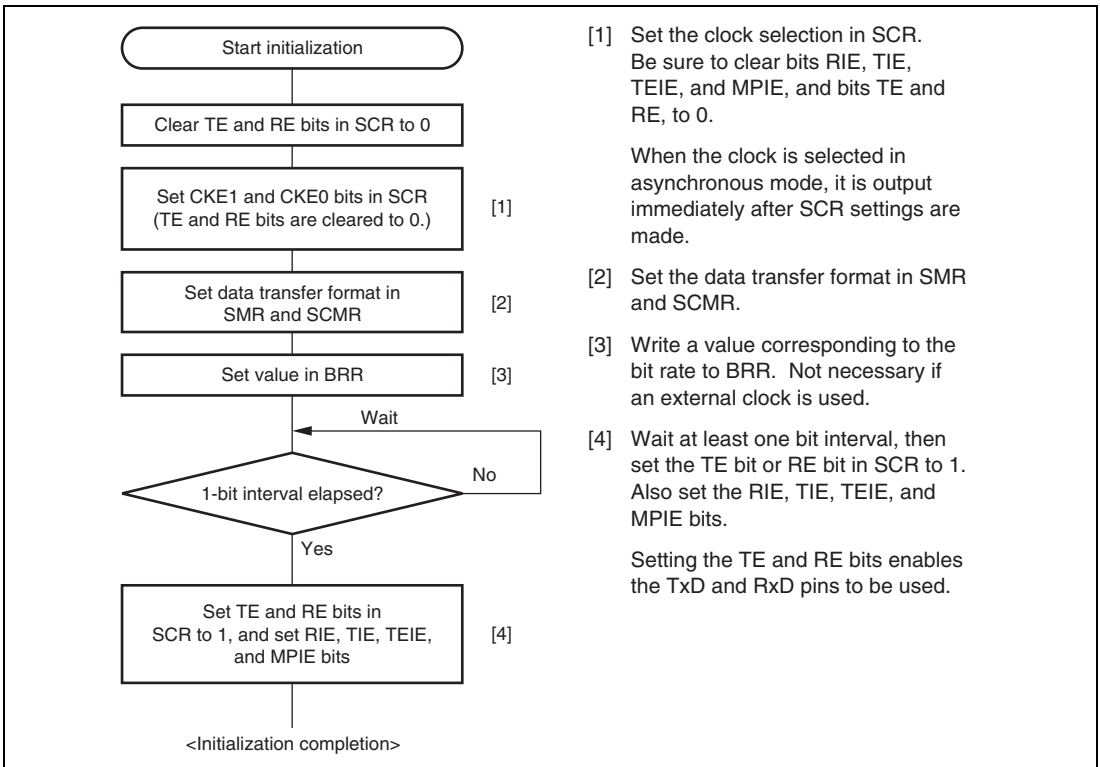
When the SCI is operated on an internal clock, the clock can be output from the SCK pin. The frequency of the clock output in this case is equal to the bit rate, and the phase is such that the rising edge of the clock is in the middle of the transmit data, as shown in figure 13.4.



**Figure 13.4 Relationship between Output Clock and Transfer Data Phase (Asynchronous Mode)**

### 13.4.4 SCI Initialization (Asynchronous Mode)

Before transmitting and receiving data, first clear the TE and RE bits in SCR to 0, then initialize the SCI as described below. When the operating mode, or transfer format, is changed for example, the TE and RE bits must be cleared to 0 before making the change using the following procedure. When the TE bit is cleared to 0, the TDRE flag is set to 1. Note that clearing the RE bit to 0 does not initialize the contents of the RDRF, PER, FER, and ORER flags, or the contents of RDR. When the external clock is used in asynchronous mode, the clock must be supplied even during initialization.



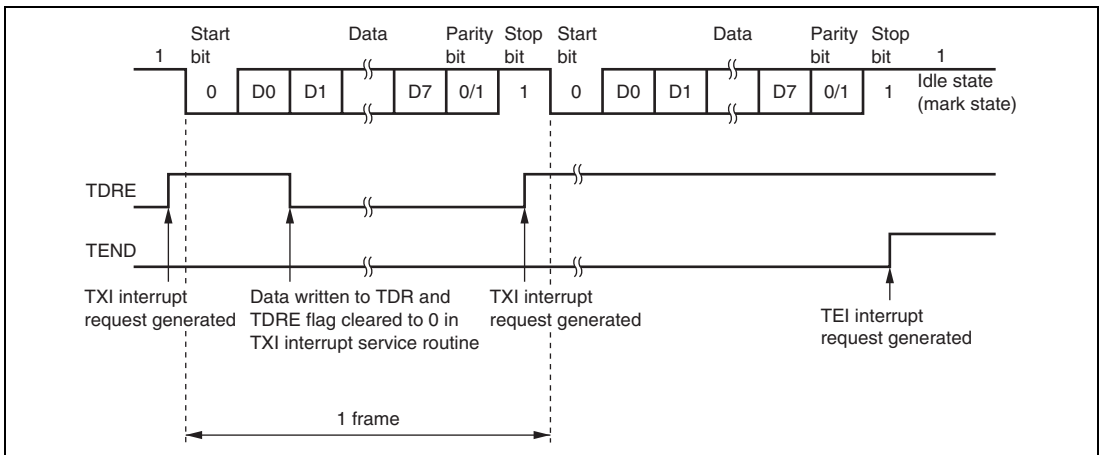
**Figure 13.5 Sample SCI Initialization Flowchart**

### 13.4.5 Data Transmission (Asynchronous Mode)

Figure 13.6 shows an example of operation for transmission in asynchronous mode. In transmission, the SCI operates as described below.

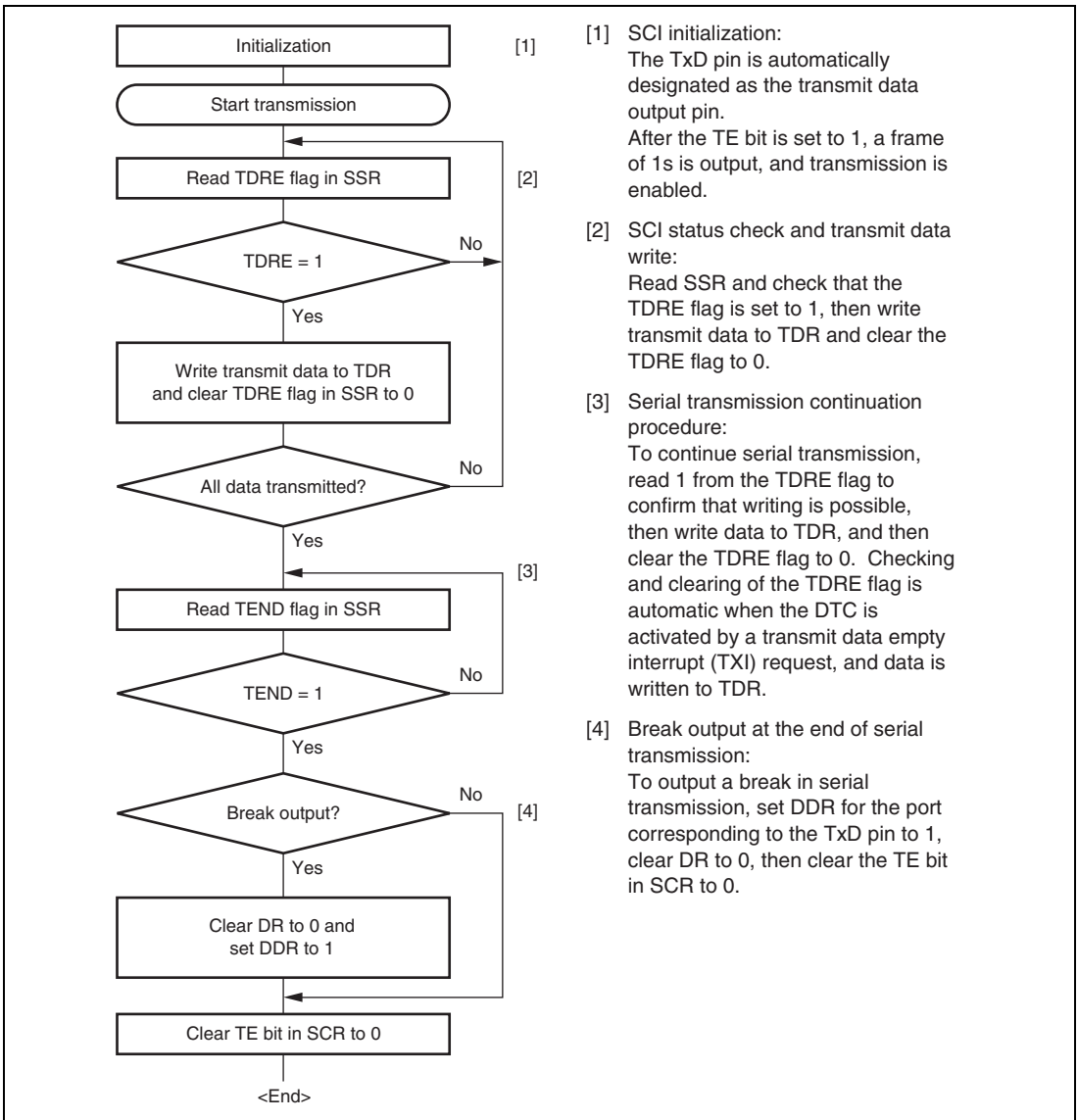
1. The SCI monitors the TDRE flag in SSR. If the flag is cleared to 0, the SCI recognizes that data has been written to TDR, and transfers the data from TDR to TSR.
2. After transferring data from TDR to TSR, the SCI sets the TDRE flag to 1 and starts transmission. If the TIE bit is set to 1 at this time, a transmit data empty interrupt request (TXI) is generated. Continuous transmission is possible because the TXI interrupt routine writes next transmit data to TDR before transmission of the current transmit data has been completed.
3. Data is sent from the TxD pin in the following order: start bit, transmit data, parity bit or multiprocessor bit (may be omitted depending on the format), and stop bit.
4. The SCI checks the TDRE flag at the timing for sending the stop bit.
5. If the TDRE flag is 0, the data is transferred from TDR to TSR, the stop bit is sent, and then serial transmission of the next frame is started.
6. If the TDRE flag is 1, the TEND flag in SSR is set to 1, the stop bit is sent, and then the "mark state" is entered, in which 1 is output. If the TEIE bit in SCR is set to 1 at this time, a TEI interrupt request is generated.

Figure 13.7 shows a sample flowchart for transmission in asynchronous mode.



**Figure 13.6 Example of Operation in Transmission in Asynchronous Mode  
(Example with 8-Bit Data, Parity, One Stop Bit)**



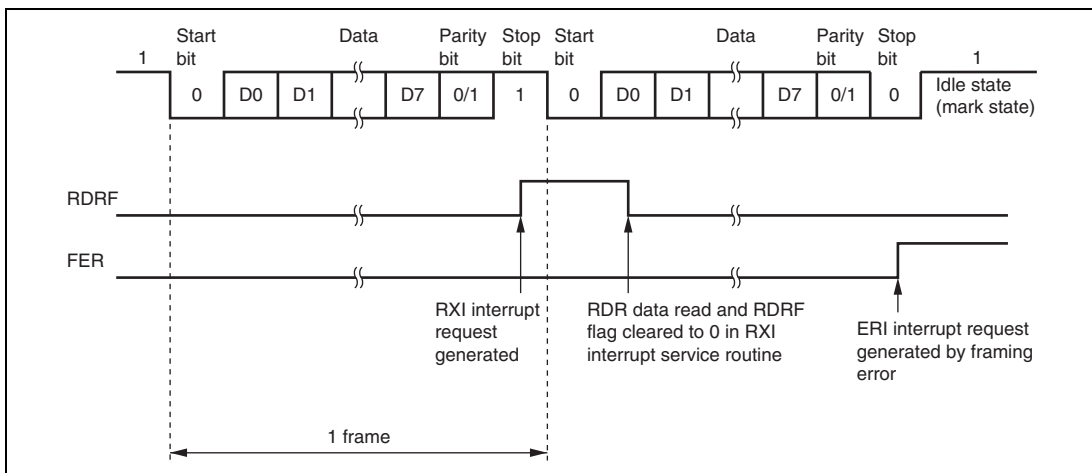


**Figure 13.7 Sample Serial Transmission Flowchart**

### 13.4.6 Serial Data Reception (Asynchronous Mode)

Figure 13.8 shows an example of operation for reception in asynchronous mode. In serial reception, the SCI operates as described below.

1. The SCI monitors the communication line. If a start bit is detected, the SCI performs internal synchronization, receives receive data in RSR, and checks the parity bit and stop bit.
2. If an overrun error occurs (when reception of the next data is completed while the RDRF flag is still set to 1), the ORER bit in SSR is set to 1. If the RIE bit in SCR is set to 1 at this time, an ERI interrupt request is generated. Receive data is not transferred to RDR. The RDRF flag remains to be set to 1.
3. If a parity error is detected, the PER bit in SSR is set to 1 and receive data is transferred to RDR. If the RIE bit in SCR is set to 1 at this time, an ERI interrupt request is generated.
4. If a framing error is detected (when the stop bit is 0), the FER bit in SSR is set to 1 and receive data is transferred to RDR. If the RIE bit in SCR is set to 1 at this time, an ERI interrupt request is generated.
5. If reception is completed successfully, the RDRF bit in SSR is set to 1, and receive data is transferred to RDR. If the RIE bit in SCR is set to 1 at this time, an RXI interrupt request is generated. Continuous reception is possible because the RXI interrupt routine reads the receive data transferred to RDR before reception of the next receive data has been completed.



**Figure 13.8 Example of SCI Operation in Reception**  
(Example with 8-Bit Data, Parity, One Stop Bit)

Table 13.11 shows the states of the SSR status flags and receive data handling when a receive error is detected. If a receive error is detected, the RDRF flag retains its state before receiving data. Reception cannot be resumed while a receive error flag is set to 1. Accordingly, clear the ORER, FER, PER, and RDRF bits to 0 before resuming reception. Figure 13.9 shows a sample flow chart for serial data reception.

**Table 13.11 SSR Status Flags and Receive Data Handling**

SSR Status Flag				Receive Data	Receive Error Type
RDRF*	ORER	FER	PER		
1	1	0	0	Lost	Overrun error
0	0	1	0	Transferred to RDR	Framing error
0	0	0	1	Transferred to RDR	Parity error
1	1	1	0	Lost	Overrun error + framing error
1	1	0	1	Lost	Overrun error + parity error
0	0	1	1	Transferred to RDR	Framing error + parity error
1	1	1	1	Lost	Overrun error + framing error + parity error

Note: \* The RDRF flag retains the state it had before data reception.

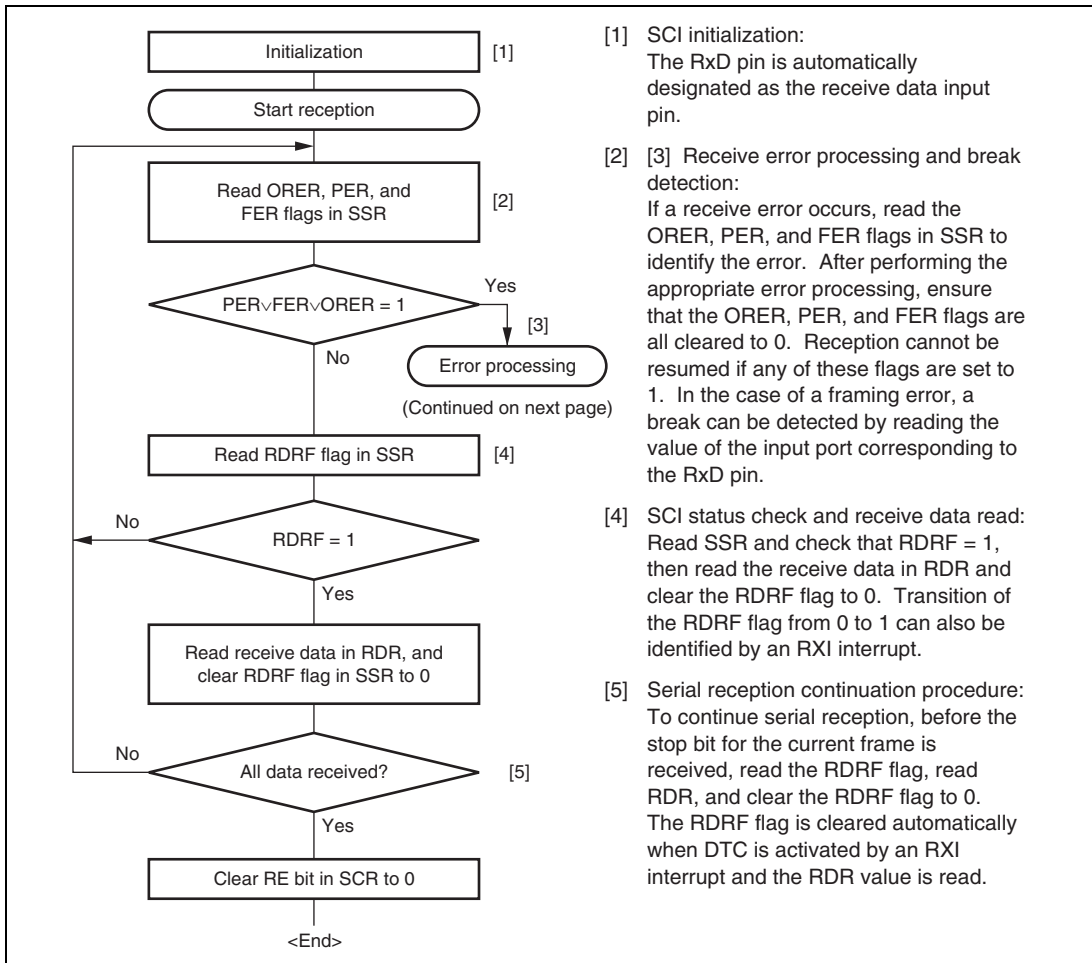
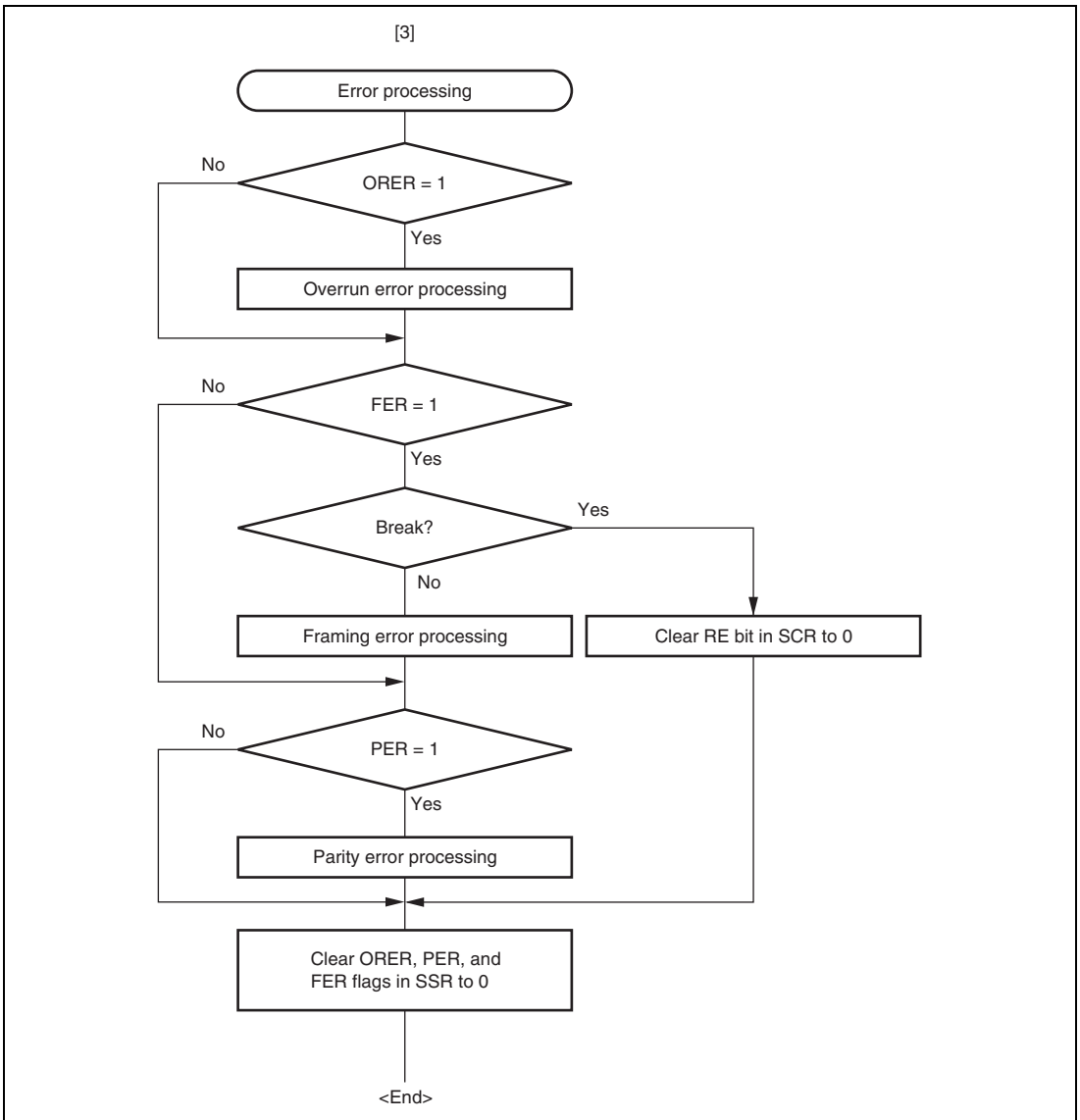


Figure 13.9 Sample Serial Reception Data Flowchart (1)



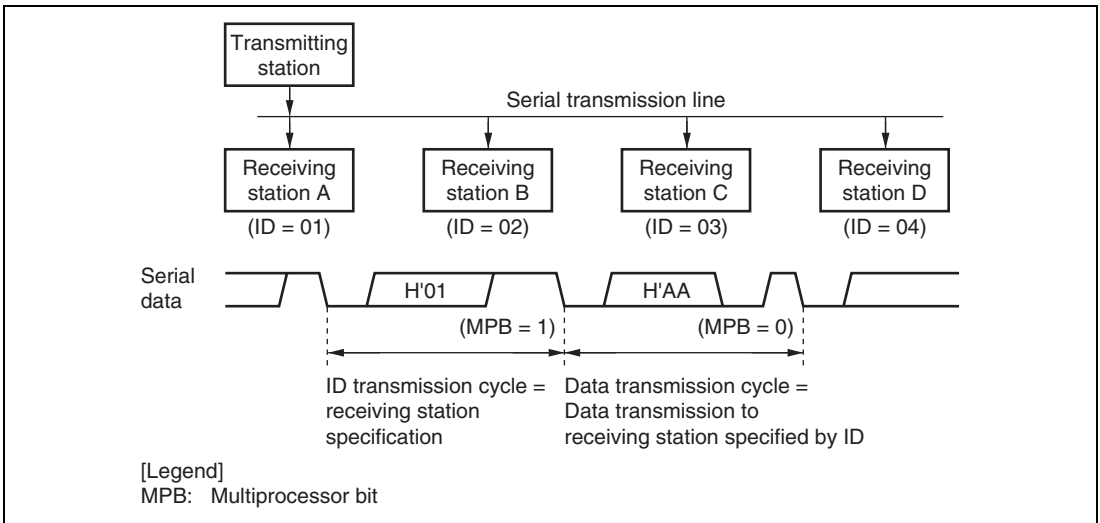
**Figure 13.9 Sample Serial Reception Data Flowchart (2)**

## 13.5 Multiprocessor Communication Function

Use of the multiprocessor communication function enables data transfer between a number of processors sharing communication lines by asynchronous serial communication using the multiprocessor format, in which a multiprocessor bit is added to the transfer data. When multiprocessor communication is performed, each receiving station is addressed by a unique ID code. The serial communication cycle consists of two component cycles; an ID transmission cycle that specifies the receiving station, and a data transmission cycle. The multiprocessor bit is used to differentiate between the ID transmission cycle and the data transmission cycle. If the multiprocessor bit is 1, the cycle is an ID transmission cycle; if the multiprocessor bit is 0, the cycle is a data transmission cycle. Figure 13.10 shows an example of inter-processor communication using the multiprocessor format. The transmitting station first sends the ID code of the receiving station with which it wants to perform serial communication as data with a 1 multiprocessor bit added. It then sends transmit data as data with a 0 multiprocessor bit added. When data with a 1 multiprocessor bit is received, the receiving station compares that data with its own ID. The station whose ID matches then receives the data sent next. Stations whose IDs do not match continue to skip data until data with a 1 multiprocessor bit is again received.

The SCI uses the MPIE bit in SCR to implement this function. When the MPIE bit is set to 1, transfer of receive data from RSR to RDR, error flag detection, and setting the SSR status flags, RDRF, FER, and ORER to 1, are inhibited until data with a 1 multiprocessor bit is received. On reception of a receive character with a 1 multiprocessor bit, the MPB bit in SSR is set to 1 and the MPIE bit is automatically cleared, thus normal reception is resumed. If the RIE bit in SCR is set to 1 at this time, an RXI interrupt is generated.

When the multiprocessor format is selected, the parity bit setting is rendered invalid. All other bit settings are the same as those in normal asynchronous mode. The clock used for multiprocessor communication is the same as that in normal asynchronous mode.

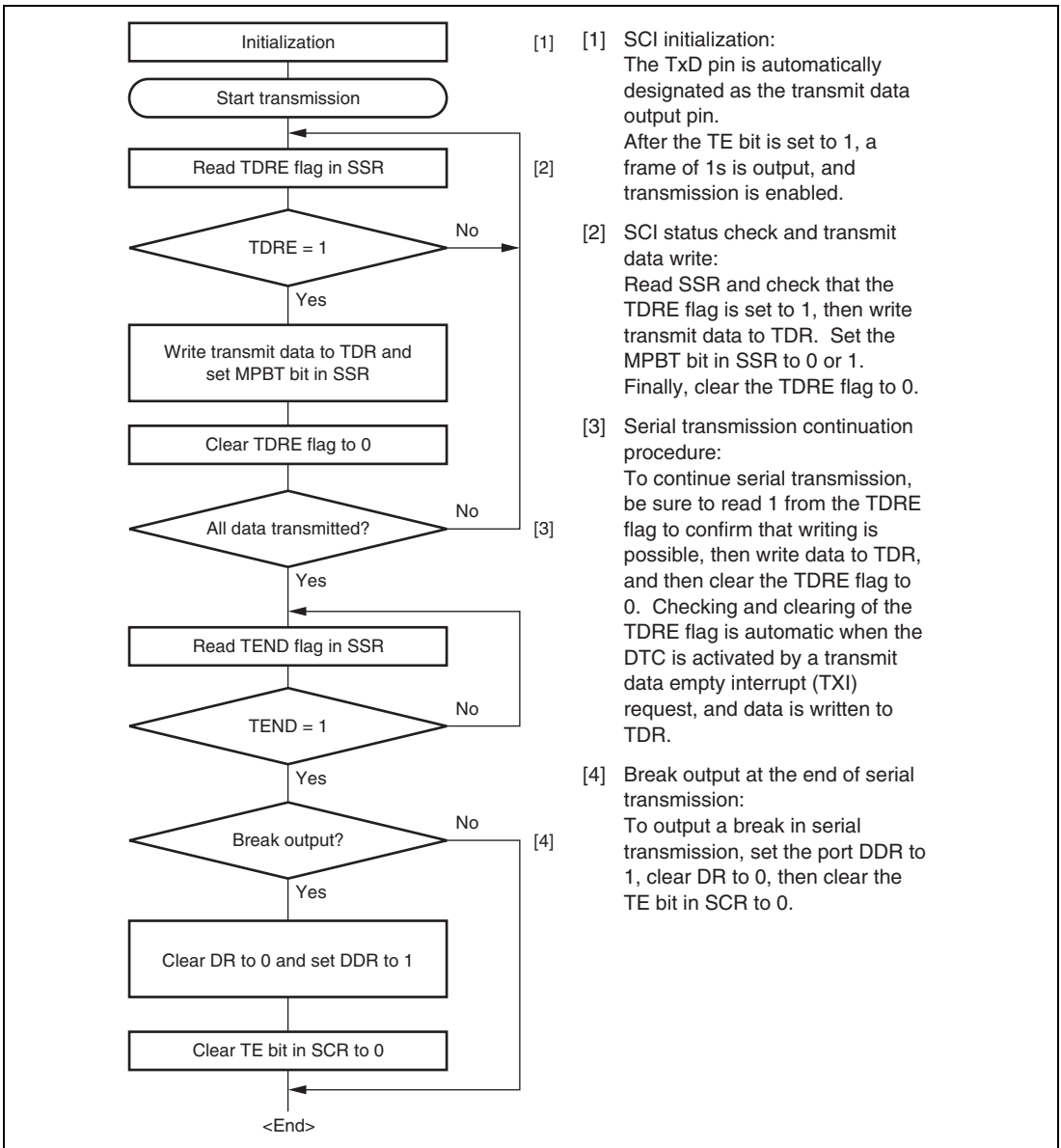


**Figure 13.10 Example of Communication Using Multiprocessor Format  
(Transmission of Data H'AA to Receiving Station A)**

### 13.5.1 Multiprocessor Serial Data Transmission

Figure 13.11 shows a sample flowchart for multiprocessor serial data transmission. For an ID transmission cycle, set the MPBT bit in SSR to 1 before transmission. For a data transmission cycle, clear the MPBT bit in SSR to 0 before transmission. All other SCI operations are the same as those in asynchronous mode.

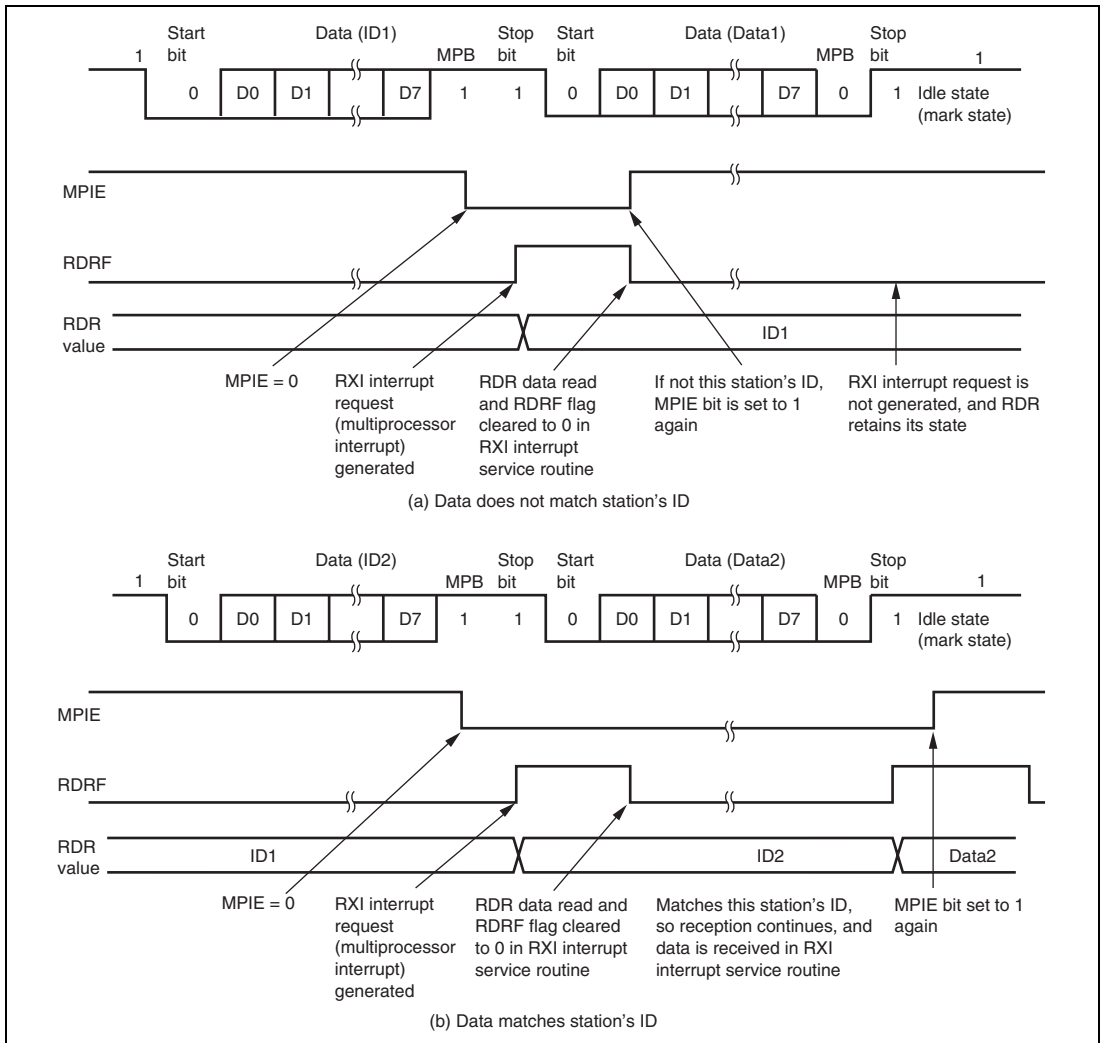




**Figure 13.11 Sample Multiprocessor Serial Transmission Flowchart**

### 13.5.2 Multiprocessor Serial Data Reception

Figure 13.13 shows a sample flowchart for multiprocessor serial data reception. If the MPIE bit in SCR is set to 1, data is skipped until data with a 1 multiprocessor bit is sent. On receiving data with a 1 multiprocessor bit, the receive data is transferred to RDR. An RXI interrupt request is generated at this time. All other SCI operations are the same as in asynchronous mode. Figure 13.12 shows an example of SCI operation for multiprocessor format reception.



**Figure 13.12 Example of SCI Operation in Reception  
(Example with 8-Bit Data, Multiprocessor Bit, One Stop Bit)**

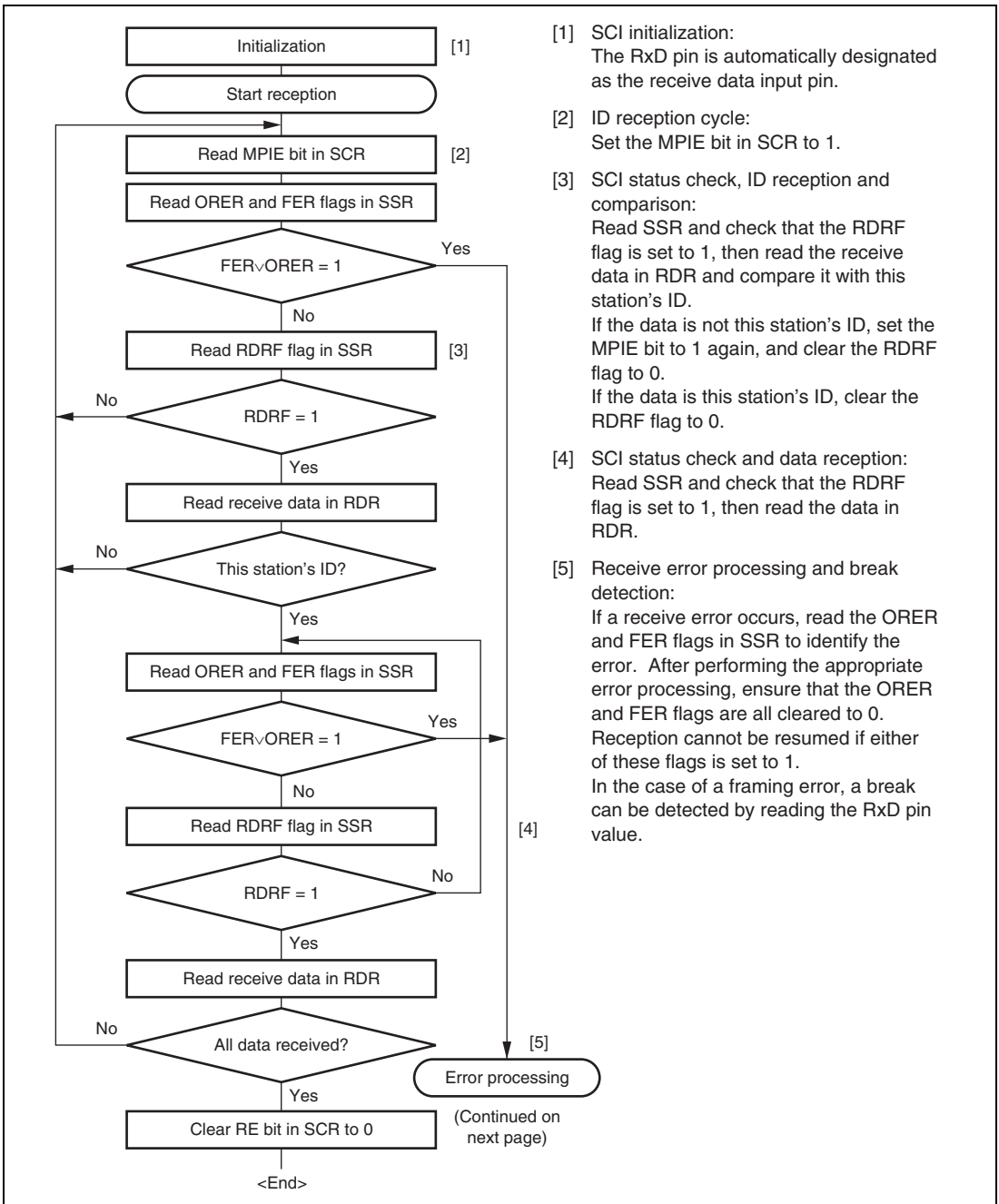
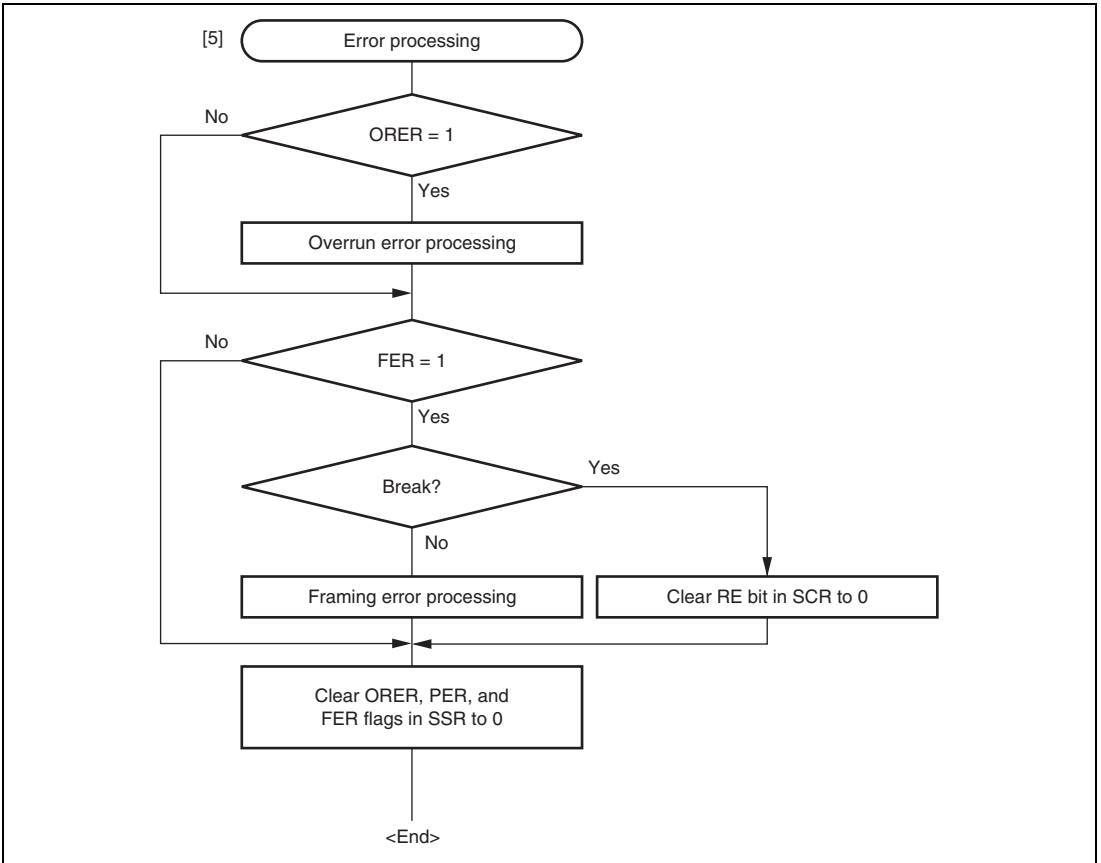


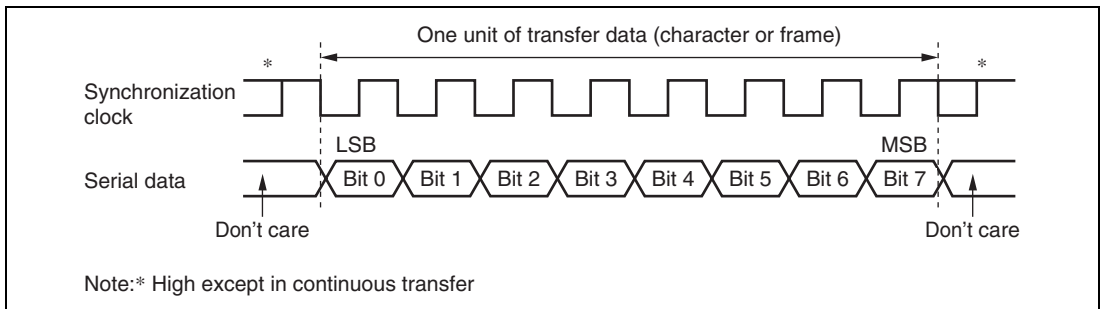
Figure 13.13 Sample Multiprocessor Serial Reception Flowchart (1)



**Figure 13.13 Sample Multiprocessor Serial Reception Flowchart (2)**

## 13.6 Operation in Clocked Synchronous Mode

Figure 13.14 shows the general format for clocked synchronous communication. In clocked synchronous mode, data is transmitted or received synchronous with clock pulses. In clocked synchronous serial communication, data on the transmission line is output from one falling edge of the serial clock to the next. In clocked synchronous mode, the SCI receives data in synchronous with the rising edge of the serial clock. After 8-bit data is output, the transmission line holds the MSB state. In clocked synchronous mode, no parity or multiprocessor bit is added. Inside the SCI, the transmitter and receiver are independent units, enabling full-duplex communication through the use of a common clock. Both the transmitter and the receiver also have a double-buffered structure, so data can be read or written during transmission or reception, enabling continuous data transfer.



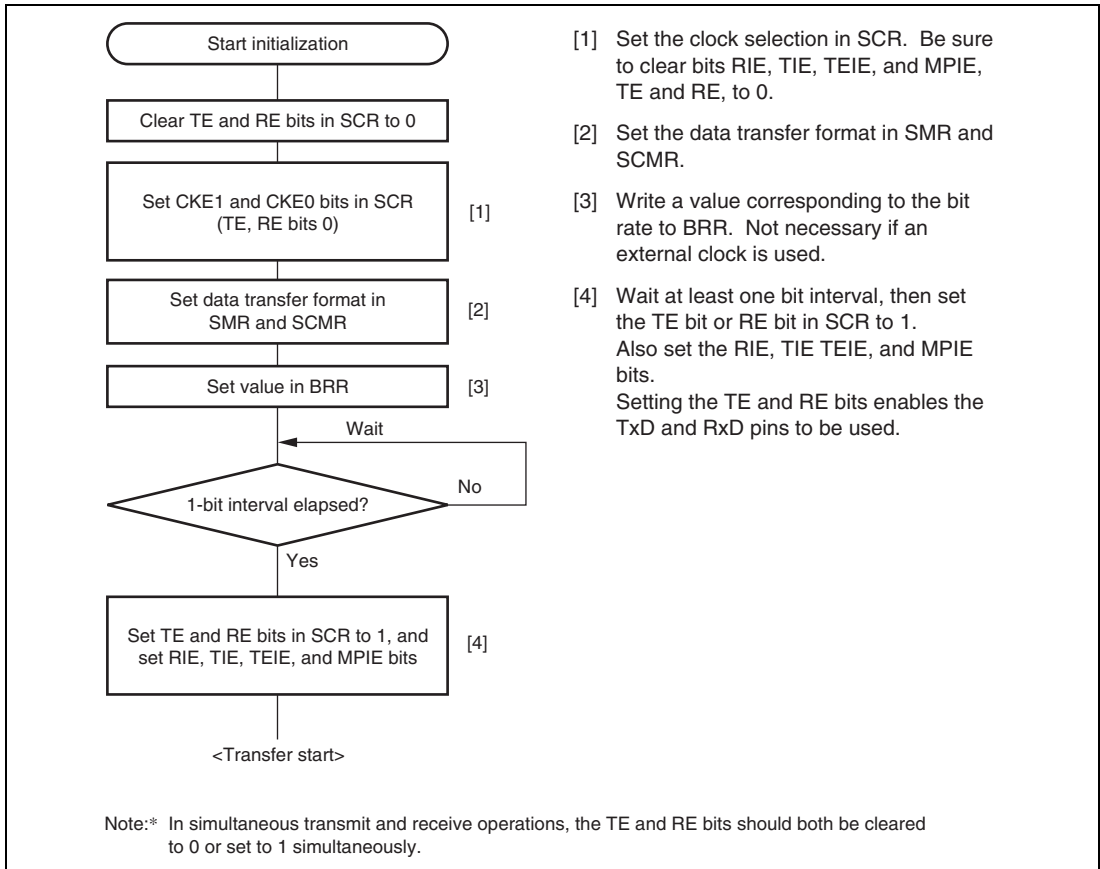
**Figure 13.14 Data Format in Synchronous Communication (For LSB-First)**

### 13.6.1 Clock

Either an internal clock generated by the on-chip baud rate generator or an external synchronization clock input at the SCK pin can be selected, according to the setting of CKE0 and CKE1 bits in SCR. When the SCI is operated on an internal clock, the serial clock is output from the SCK pin. Eight serial clock pulses are output in the transfer of one character, and when no transfer is performed the clock is fixed high.

### 13.6.2 SCI Initialization (Clocked Synchronous Mode)

Before transmitting and receiving data, the TE and RE bits in SCR should be cleared to 0, then the SCI should be initialized as described in a sample flowchart in figure 13.15. When the operating mode, or transfer format, is changed for example, the TE and RE bits must be cleared to 0 before making the change using the following procedure. When the TE bit is cleared to 0, the TDRE flag is set to 1. Note that clearing the RE bit to 0 does not change the contents of the RDRF, PER, FER, and ORER flags, or the contents of RDR.



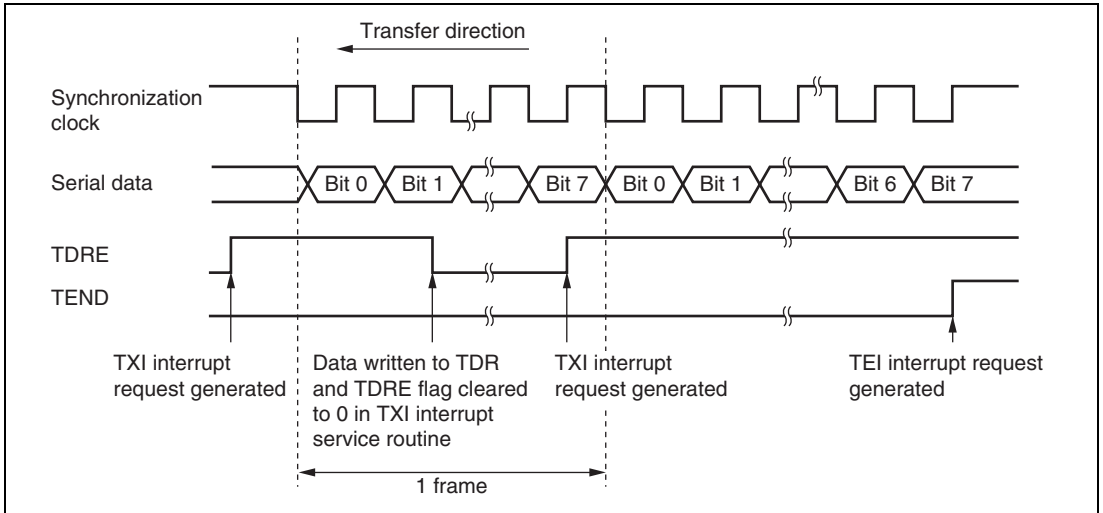
**Figure 13.15 Sample SCI Initialization Flowchart**

### 13.6.3 Serial Data Transmission (Clocked Synchronous Mode)

Figure 13.16 shows an example of SCI operation for transmission in clocked synchronous mode. In serial transmission, the SCI operates as described below.

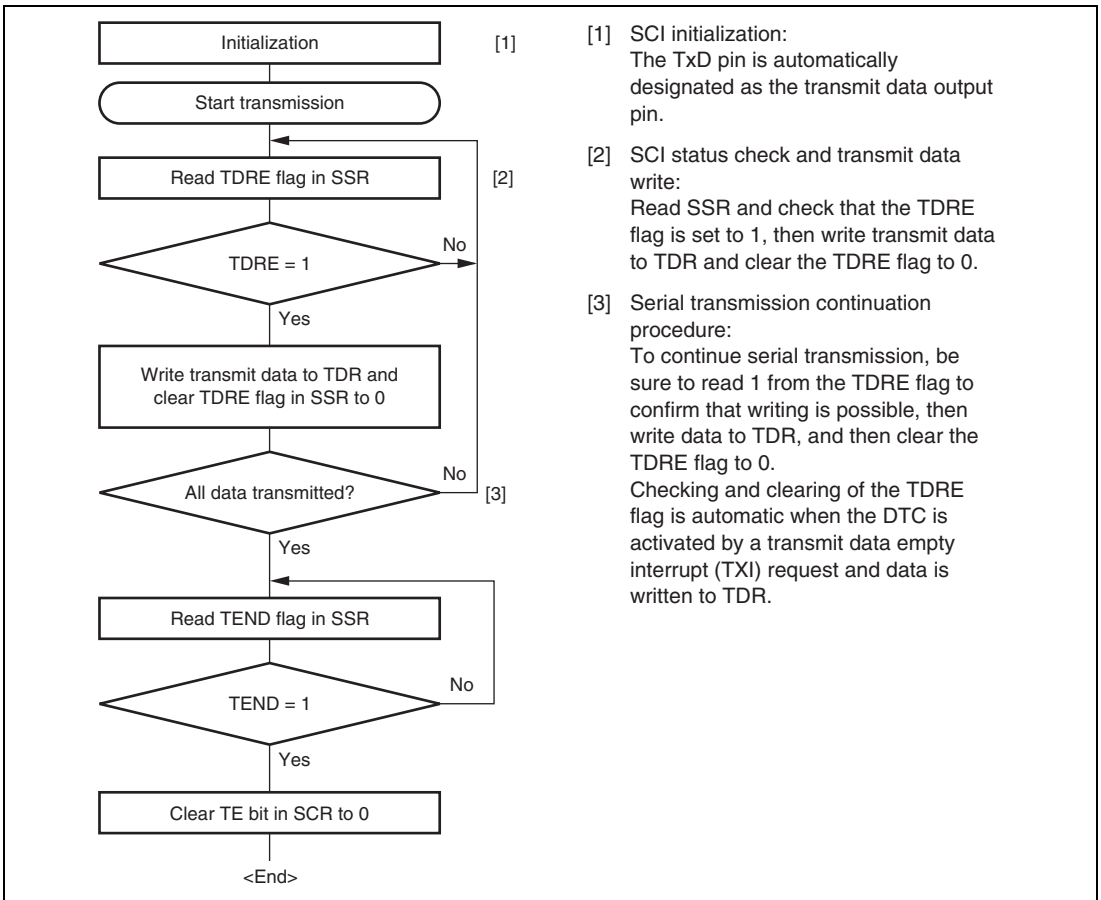
1. The SCI monitors the TDRE flag in SSR, and if the flag is 0, the SCI recognizes that data has been written to TDR, and transfers the data from TDR to TSR.
2. After transferring data from TDR to TSR, the SCI sets the TDRE flag to 1 and starts transmission. If the TIE bit in SCR is set to 1 at this time, a transmit data empty interrupt (TXI) is generated. Continuous transmission is possible because the TXI interrupt routine writes the next transmit data to TDR before transmission of the current transmit data has been completed.
3. 8-bit data is sent from the TxD pin synchronized with the output clock when output clock mode has been specified, and synchronized with the input clock when use of an external clock has been specified.
4. The SCI checks the TDRE flag at the timing for sending the MSB (bit 7).
5. If the TDRE flag is cleared to 0, data is transferred from TDR to TSR, and serial transmission of the next frame is started.
6. If the TDRE flag is set to 1, the TEND flag in SSR is set to 1, and the TDRE flag maintains the output state of the last bit. If the TEIE bit in SCR is set to 1 at this time, a TEI interrupt request is generated. The SCK pin is fixed high.

Figure 13.17 shows a sample flow chart for serial data transmission. Even if the TDRE flag is cleared to 0, transmission will not start while a receive error flag (ORER, FER, or PER) is set to 1. Make sure that the receive error flags are cleared to 0 before starting transmission. Note that clearing the RE bit to 0 does not clear the receive error flags.



**Figure 13.16 Sample SCI Transmission Operation in Clocked Synchronous Mode**



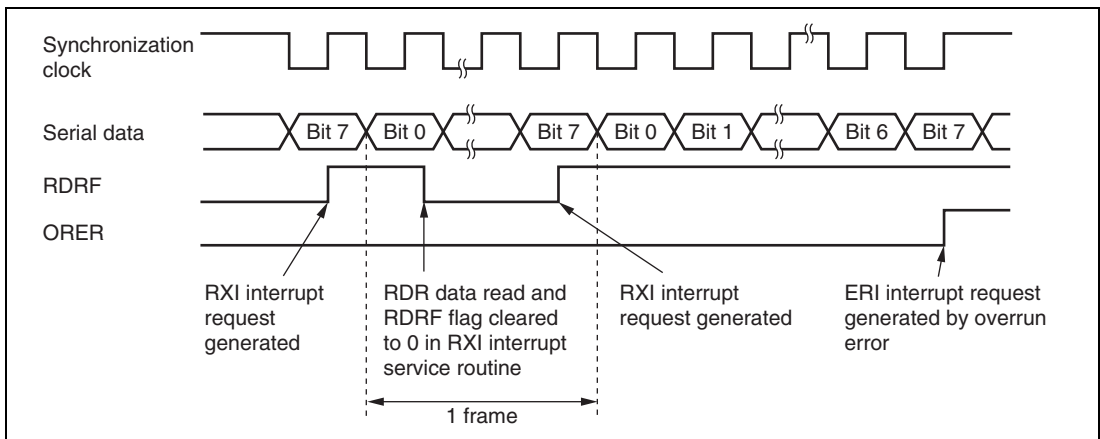


**Figure 13.17 Sample Serial Transmission Flowchart**

### 13.6.4 Serial Data Reception (Clocked Synchronous Mode)

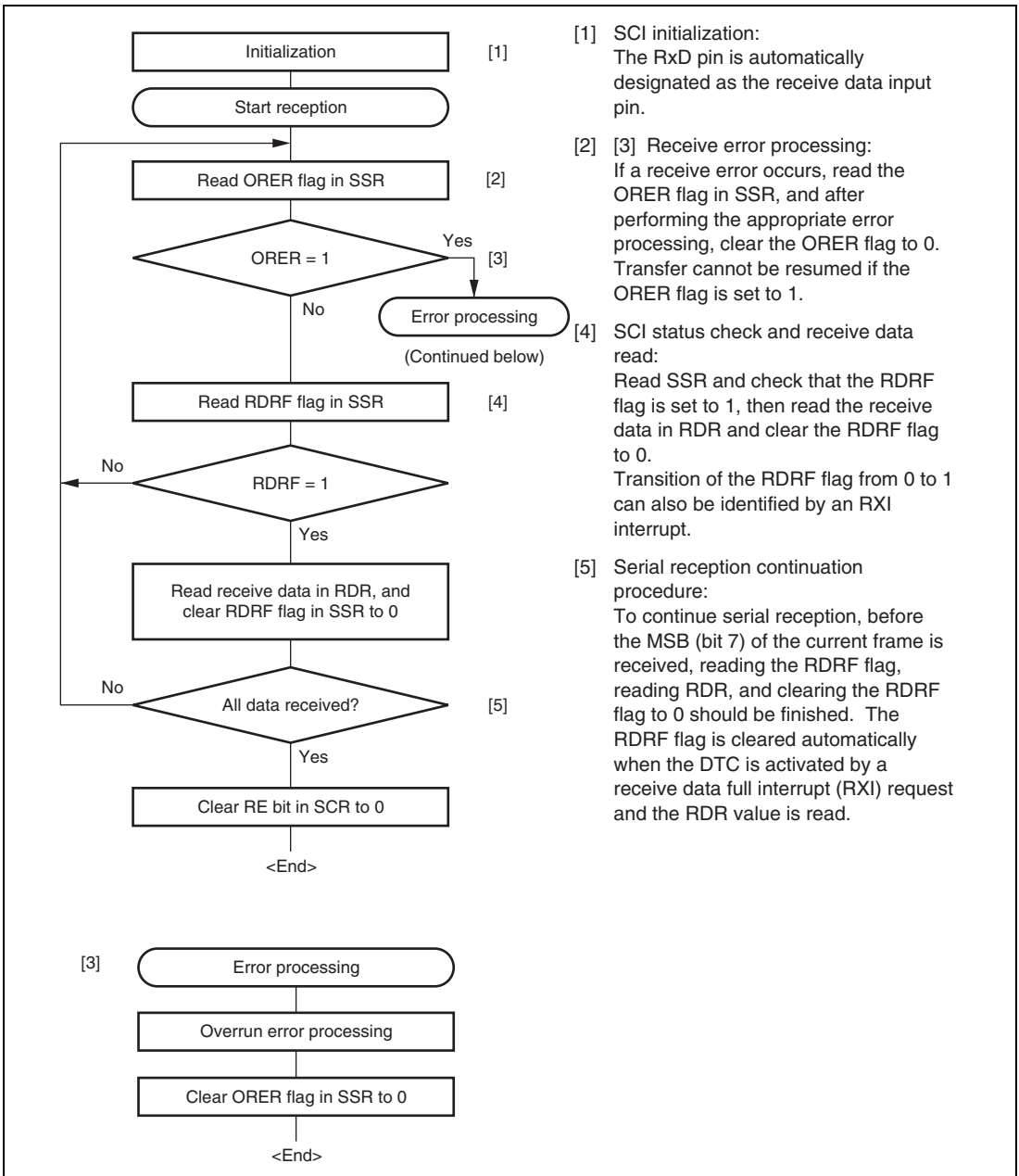
Figure 13.18 shows an example of SCI operation for reception in clocked synchronous mode. In serial reception, the SCI operates as described below.

1. The SCI performs internal initialization synchronous with a synchronous clock input or output, starts receiving data, and stores the received data in RSR.
2. If an overrun error occurs (when reception of the next data is completed while the RDRF flag in SSR is still set to 1), the ORER bit in SSR is set to 1. If the RIE bit in SCR is set to 1 at this time, an ERI interrupt request is generated, receive data is not transferred to RDR, and the RDRF flag remains to be set to 1.
3. If reception is completed successfully, the RDRF bit in SSR is set to 1, and receive data is transferred to RDR. If the RIE bit in SCR is set to 1 at this time, an RXI interrupt request is generated. Continuous reception is possible because the RXI interrupt routine reads the receive data transferred to RDR before reception of the next receive data has finished.



**Figure 13.18 Example of SCI Operation in Reception**

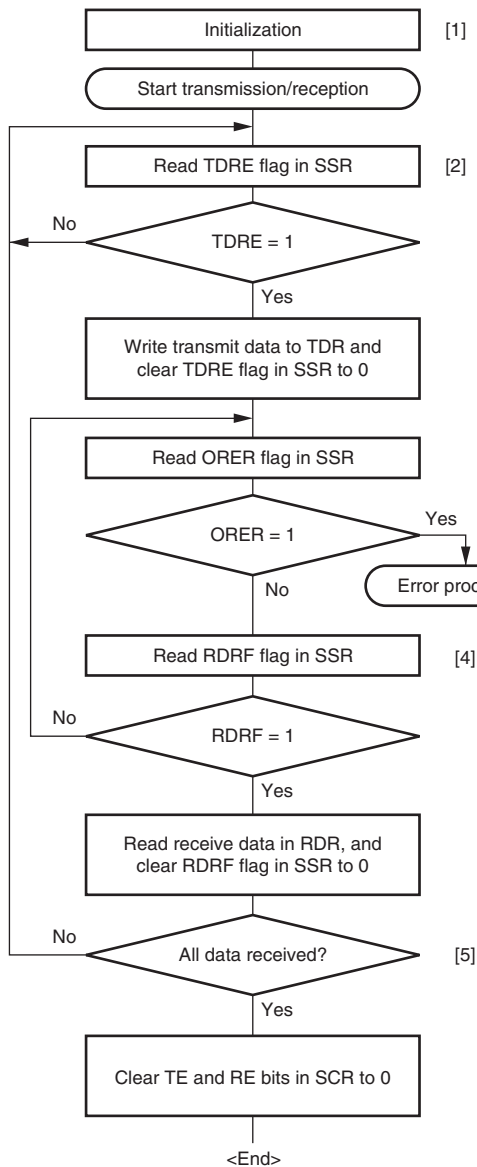
Reception cannot be resumed while a receive error flag is set to 1. Accordingly, clear the ORER, FER, PER, and RDRF bits to 0 before resuming reception. Figure 13.19 shows a sample flow chart for serial data reception.



**Figure 13.19 Sample Serial Reception Flowchart**

### 13.6.5 Simultaneous Serial Data Transmission and Reception (Clocked Synchronous Mode)

Figure 13.20 shows a sample flowchart for simultaneous serial transmit and receive operations. The following procedure should be used for simultaneous serial data transmit and receive operations after initializing the SCI. To switch from transmit mode to simultaneous transmit and receive mode, after checking that the SCI has finished transmission and the TDRE and TEND flags are set to 1, clear TE to 0. Then simultaneously set TE and RE to 1 with a single instruction. To switch from receive mode to simultaneous transmit and receive mode, after checking that the SCI has finished reception, clear RE to 0. Then after checking that the RDRF and receive error flags (ORER, FER, and PER) are cleared to 0, simultaneously set TE and RE to 1 with a single instruction.



- [1] SCI initialization:  
The TxD pin is designated as the transmit data output pin, and the RxD pin is designated as the receive data input pin, enabling simultaneous transmit and receive operations.
- [2] SCI status check and transmit data write:  
Read SSR and check that the TDRE flag is set to 1, then write transmit data to TDR and clear the TDRE flag to 0.  
Transition of the TDRE flag from 0 to 1 can also be identified by a TXI interrupt.
- [3] Receive error processing:  
If a receive error occurs, read the ORER flag in SSR, and after performing the appropriate error processing, clear the ORER flag to 0. Transmission/reception cannot be resumed if the ORER flag is set to 1.
- [4] SCI status check and receive data read:  
Read SSR and check that the RDRF flag is set to 1, then read the receive data in RDR and clear the RDRF flag to 0. Transition of the RDRF flag from 0 to 1 can also be identified by an RXI interrupt.
- [5] Serial transmission/reception continuation procedure:  
To continue serial transmission/reception, before the MSB (bit 7) of the current frame is received, finish reading the RDRF flag, reading RDR, and clearing the RDRF flag to 0. Also, before the MSB (bit 7) of the current frame is transmitted, read 1 from the TDRE flag to confirm that writing is possible. Then write data to TDR and clear the TDRE flag to 0. Checking and clearing of the TDRE flag is automatic when the DTC is activated by a transmit data empty interrupt (TXI) request and data is written to TDR. Also, the RDRF flag is cleared automatically when the DTC is activated by a receive data full interrupt (RXI) request and the RDR value is read.

Note:\* When switching from transmit or receive operation to simultaneous transmit and receive operations, first clear the TE bit and RE bit to 0, then set both these bits to 1 simultaneously.

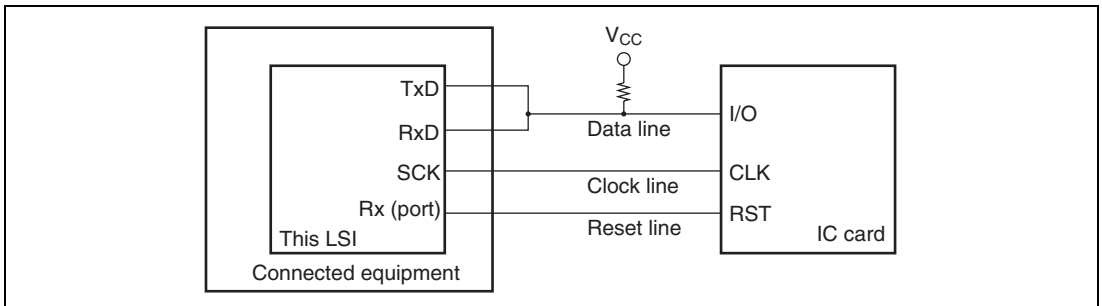
**Figure 13.20 Sample Flowchart of Simultaneous Serial Transmit and Receive Operations**

## 13.7 Operation in Smart Card Interface

The SCI supports an IC card (smart card) interface that conforms to ISO/IEC 7816-3 (Identification Card) as a serial communication interface extension function. Switching between the normal serial communication interface and the smart card interface mode is carried out by means of a register setting.

### 13.7.1 Pin Connection Example

Figure 13.21 shows an example of connection with the smart card. In communication with an IC card, as both transmission and reception are carried out on a single data transmission line, the Tx/D pin and Rx/D pin should be connected to the LSI pin. The data transmission line should be pulled up to the  $V_{CC}$  power supply with a resistor. If an IC card is not connected, and the TE and RE bits are both set to 1, closed transmission/reception is possible, enabling self-diagnosis to be carried out. When the clock generated on the smart card interface is used by an IC card, the SCK pin output is input to the CLK pin of the IC card. This LSI port output is used as the reset signal.

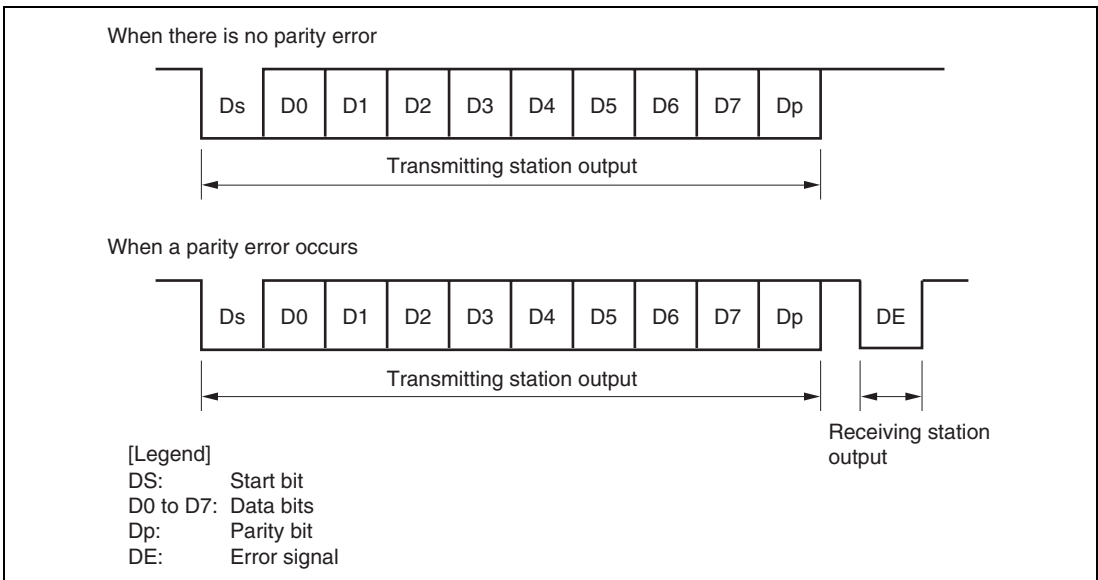


**Figure 13.21 Schematic Diagram of Smart Card Interface Pin Connections**

### 13.7.2 Data Format (Except for Block Transfer Mode)

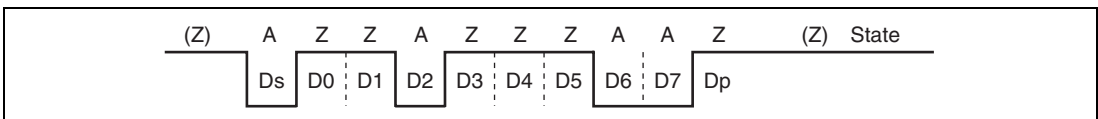
Figure 13.22 shows the transfer data format in smart card interface mode.

- One frame consists of 8-bit data plus a parity bit in asynchronous mode.
- In transmission, a guard time of at least 2 etu (Elementary Time Unit: the time for transfer of one bit) is left between the end of the parity bit and the start of the next frame.
- If a parity error is detected during reception, a low error signal level is output for one etu period, 10.5 etu after the start bit.
- If an error signal is sampled during transmission, the same data is retransmitted automatically after a delay of 2 etu or longer.



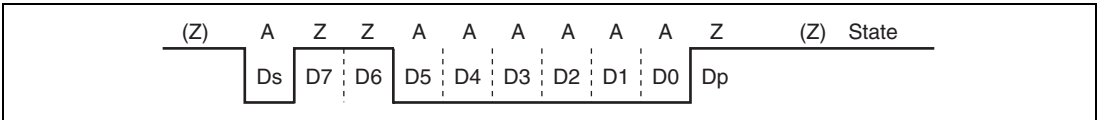
**Figure 13.22 Normal Smart Card Interface Data Format**

Data transfer with other types of IC cards (direct convention and inverse convention) are performed as described in the following.



**Figure 13.23 Direct Convention (SDIR = SINV =  $\overline{O/E}$  = 0)**

With the direction convention type IC and the above sample start character, the logic 1 level corresponds to state Z and the logic 0 level to state A, and transfer is performed in LSB-first order. The start character data above is H'3B. For the direct convention type, clear the SDIR and SINV bits in SCMR to 0. According to smart card regulations, clear the  $O/\bar{E}$  bit in SMR to 0 to select even parity mode.



**Figure 13.24 Inverse Convention (SDIR = SINV =  $O/\bar{E}$  = 1)**

With the inverse convention type, the logic 1 level corresponds to state A and the logic 0 level to state Z, and transfer is performed in MSB-first order. The start character data for the above is H'3F. For the inverse convention type, set the SDIR and SINV bits in SCMR to 1. According to smart card regulations, even parity mode is the logic 0 level of the parity bit, and corresponds to state Z. In this LSI, the SINV bit inverts only data bits D0 to D7. Therefore, set the  $O/\bar{E}$  bit in SMR to 1 to invert the parity bit for both transmission and reception.

### 13.7.3 Block Transfer Mode

Operation in block transfer mode is the same as that in SCI asynchronous mode, except for the following points.

- In reception, though the parity check is performed, no error signal is output even if an error is detected. However, the PER bit in SSR is set to 1 and must be cleared before receiving the parity bit of the next frame.
- In transmission, a guard time of at least 1 etu is left between the end of the parity bit and the start of the next frame.
- In transmission, because retransmission is not performed, the TEND flag is set to 1, 11.5 etu after transmission start.
- As with the normal smart card interface, the ERS flag indicates the error signal status, but since error signal transfer is not performed, this flag is always cleared to 0.



### 13.7.4 Receive Data Sampling Timing and Reception Margin in Smart Card Interface Mode

In smart card interface mode, the SCI operates on a basic clock with a frequency of 32, 64, 372, or 256 times the transfer rate (fixed at 16 times in normal asynchronous mode) as determined by bits BCP1 and BCP0. In reception, the SCI samples the falling edge of the start bit using the basic clock, and performs internal synchronization. As shown in figure 13.25, by sampling receive data at the rising-edge of the 16th, 32nd, 186th, or 128th pulse of the basic clock, data can be latched at the middle of the bit. The reception margin is given by the following formula.

$$M = \left| \left( 0.5 - \frac{1}{2N} \right) - (L - 0.5) F - \frac{|D - 0.5|}{N} (1 + F) \right| \times 100\%$$

Where M: Reception margin (%)

N: Ratio of bit rate to clock (N = 32, 64, 372, and 256)

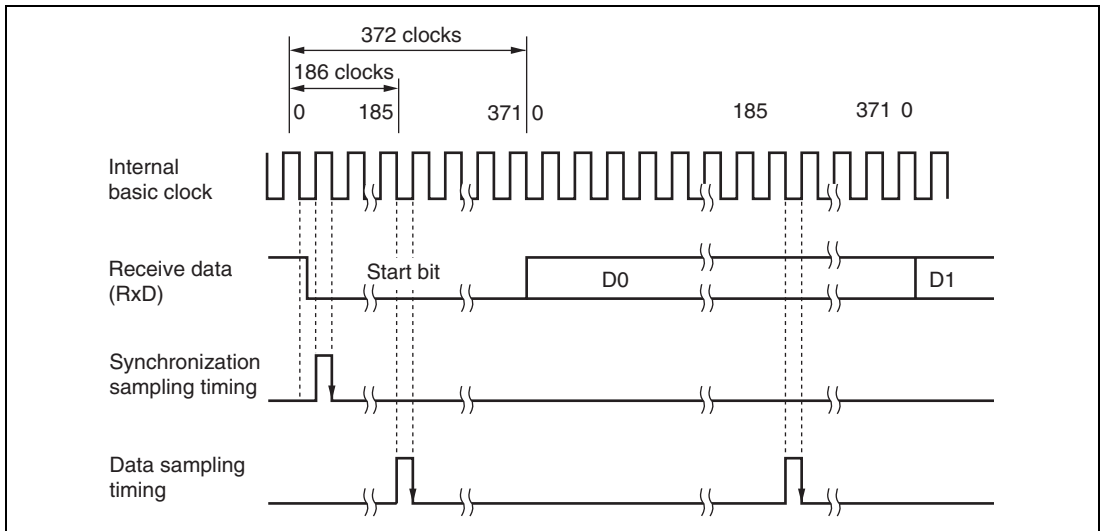
D: Clock duty cycle (D = 0 to 1.0)

L: Frame length (L = 10)

F: Absolute value of clock frequency deviation

Assuming values of F = 0, D = 0.5 and N = 372 in the above formula, the reception margin formula is as follows.

$$\begin{aligned} M &= (0.5 - 1/2 \times 372) \times 100\% \\ &= 49.866\% \end{aligned}$$



**Figure 13.25 Receive Data Sampling Timing in Smart Card Mode  
(Using Clock of 372 Times the Transfer Rate)**

### 13.7.5 Initialization

Before transmitting and receiving data, initialize the SCI as described below. Initialization is also necessary when switching from transmit mode to receive mode, or vice versa.

1. Clear the TE and RE bits in SCR to 0.
2. Clear the error flags ERS, PER, and ORER in SSR to 0.
3. Set the GM, BLK, O/E, BCP0, BCP1, CKS0, and CKS1 bits in SMR. Set the PE bit to 1.
4. Set the SMIF, SDIR, and SINV bits in SCMR.

When the SMIF bit is set to 1, the TxD and RxD pins are both switched from ports to SCI pins, and are placed in the high-impedance state.

5. Set the value corresponding to the bit rate in BRR.
6. Set the CKE0 and CKE1 bits in SCR. Clear the TIE, RIE, TE, RE, MPIE, and TEIE bits to 0.  
If the CKE0 bit is set to 1, the clock is output from the SCK pin.
7. Wait at least one bit interval, then set the TIE, RIE, TE, and RE bits in SCR. Do not set the TE bit and RE bit at the same time, except for self-diagnosis.

To switch from receive mode to transmit mode, after checking that the SCI has finished reception, initialize the SCI, and set RE to 0 and TE to 1. Whether SCI has finished reception or not can be checked with the RDRF, PER, or ORER flags. To switch from transmit mode to receive mode,

after checking that the SCI has finished transmission, initialize the SCI, and set TE to 0 and RE to 1. Whether SCI has finished transmission or not can be checked with the TEND flag.

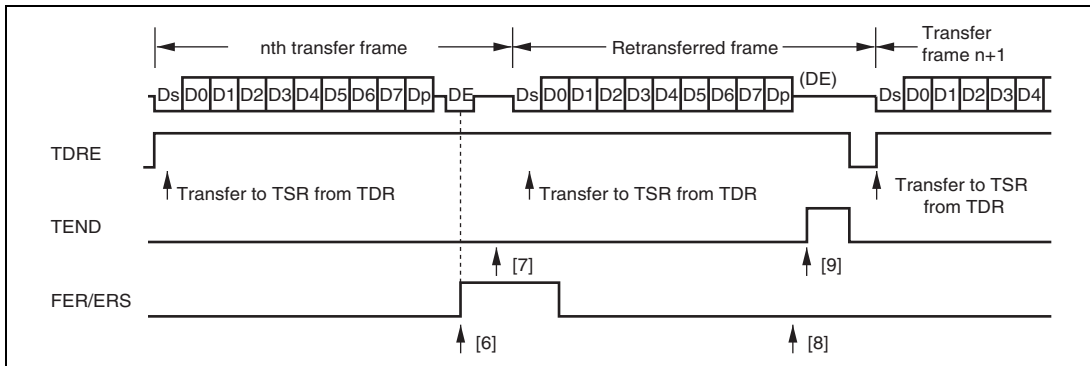
### 13.7.6 Data Transmission (Except for Block Transfer Mode)

As data transmission in smart card interface mode involves error signal sampling and retransmission processing, the operations are different from those in normal serial communication interface mode (except for block transfer mode). Figure 13.26 illustrates the retransfer operation when the SCI is in transmit mode.

1. If an error signal is sent back from the receiving end after transmission of one frame is complete, the ERS bit in SSR is set to 1. If the RIE bit in SCR is enabled at this time, an ERI interrupt request is generated. The ERS bit in SSR should be kept cleared to 0 until the next parity bit is sampled.
2. The TEND bit in SSR is not set for a frame in which an error signal indicating an abnormality is received. Data is retransferred from TDR to TSR, and retransmitted automatically.
3. If an error signal is not sent back from the receiving end, the ERS bit in SSR is not set. Transmission of one frame, including a retransfer, is judged to have been completed, and the TEND bit in SSR is set to 1. If the TIE bit in SCR is enabled at this time, a TXI interrupt request is generated. Writing transmit data to TDR transfers the next transmit data.

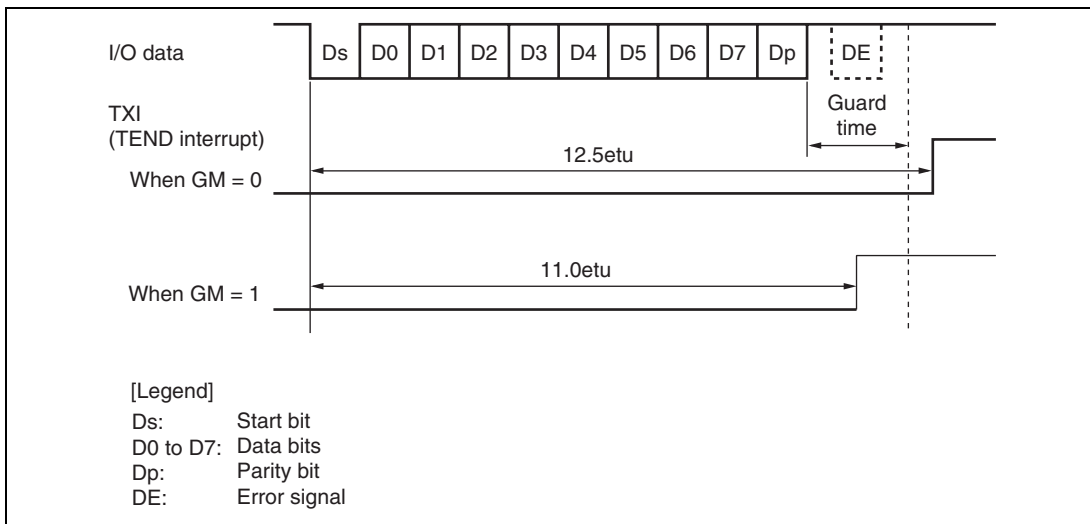
Figure 13.28 shows a flowchart for transmission. The sequence of transmit operations can be performed automatically by specifying the DTC to be activated with a TXI interrupt source. In a transmit operation, the TDRE flag is set to 1 at the same time as the TEND flag in SSR is set, and a TXI interrupt will be generated if the TIE bit in SCR has been set to 1. If the TXI request is designated beforehand as a DTC activation source, the DTC will be activated by the TXI request, and transfer of the transmit data will be carried out. The TDRE and TEND flags are automatically cleared to 0 when data is transferred by the DTC. In the event of an error, the SCI retransmits the same data automatically. During this period, the TEND flag remains cleared to 0 and the DTC is not activated. Therefore, the SCI and DTC will automatically transmit the specified number of bytes in the event of an error, including retransmission. However, the ERS flag is not cleared automatically when an error occurs, and so the RIE bit should be set to 1 beforehand so that an ERI request will be generated in the event of an error, and the ERS flag will be cleared.

When performing transfer using the DTC, it is essential to set and enable the DTC before carrying out SCI setting. For details of the DTC setting procedures, see section 8, Data Transfer Controller (DTC).

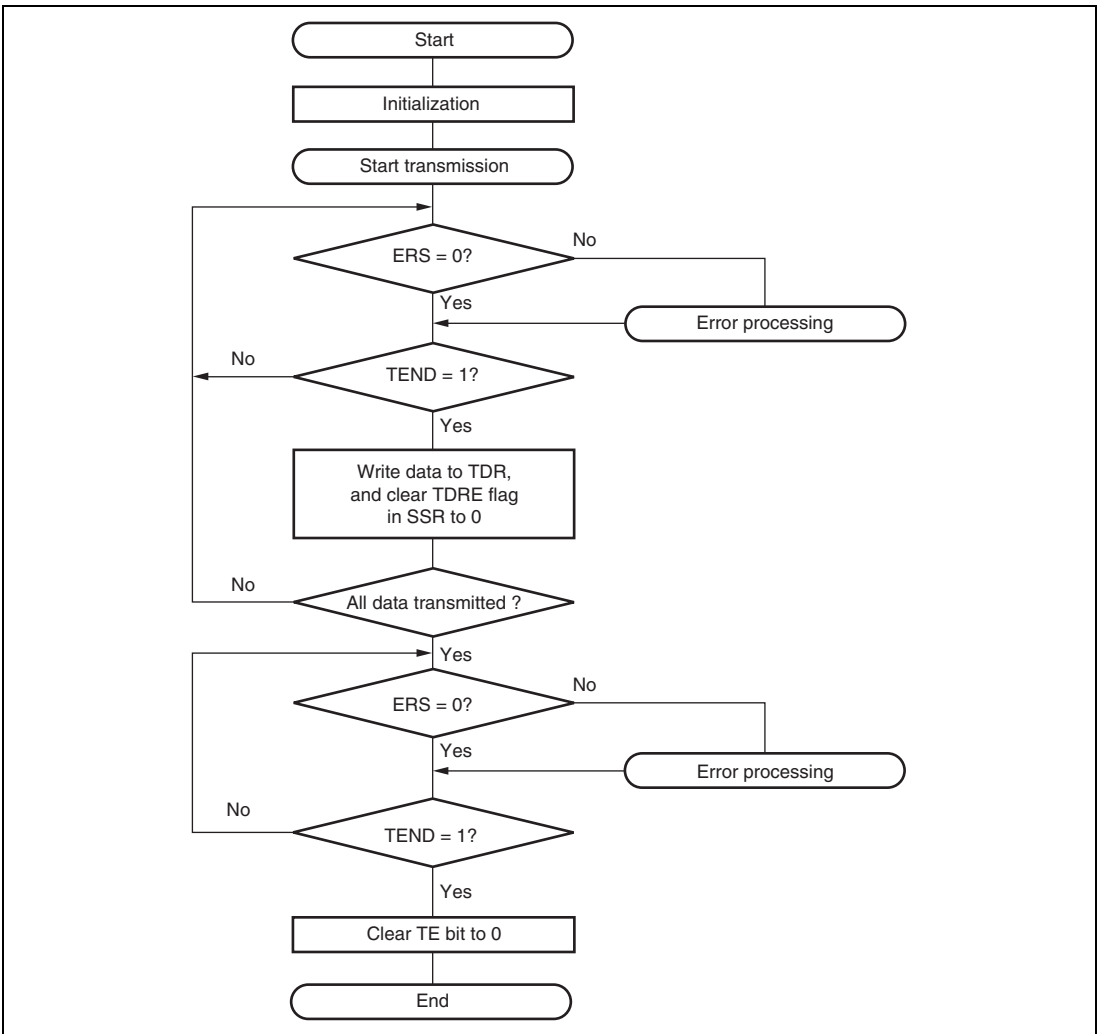


**Figure 13.26 Retransfer Operation in SCI Transmit Mode**

The timing for setting the TEND flag depends on the value of the GM bit in SMR. The TEND flag set timing is shown in figure 13.27.



**Figure 13.27 TEND Flag Generation Timing in Transmission Operation**



**Figure 13.28 Example of Transmission Processing Flow**

### 13.7.7 Serial Data Reception (Except for Block Transfer Mode)

Data reception in smart card interface mode uses the same operation procedure as for normal serial communication interface mode. Figure 13.29 illustrates the retransfer operation when the SCI is in receive mode.

1. If an error is found when the received parity bit is checked, the PER bit in SSR is automatically set to 1. If the RIE bit in SCR is set at this time, an ERI interrupt request is generated. The PER bit in SSR should be kept cleared to 0 until the next parity bit is sampled.
2. The RDRF bit in SSR is not set for a frame in which an error has occurred.
3. If no error is found when the received parity bit is checked, the PER bit in SSR is not set to 1, the receive operation is judged to have been completed normally, and the RDRF flag in SSR is automatically set to 1. If the RIE bit in SCR is enabled at this time, an RXI interrupt request is generated.

Figure 13.30 shows a flowchart for reception. A sequence of receive operations can be performed automatically by specifying the DTC to be activated using an RXI interrupt source. In a receive operation, an RXI interrupt request is generated when the RDRF flag in SSR is set to 1. If the RXI request is designated beforehand as a DTC activation source, the DTC will be activated by the RXI request, and the receive data will be transferred. The RDRF flag is cleared to 0 automatically when data is transferred by the DTC. If an error occurs in receive mode and the ORER or PER flag is set to 1, a transfer error interrupt (ERI) request will be generated. Hence, so the error flag must be cleared to 0. In the event of an error, the DTC is not activated and receive data is skipped. Therefore, receive data is transferred for only the specified number of bytes in the event of an error. Even when a parity error occurs in receive mode and the PER flag is set to 1, the data that has been received is transferred to RDR and can be read from there.

Note: For details on receive operations in block transfer mode, see section 13.4, Operation in Asynchronous Mode.

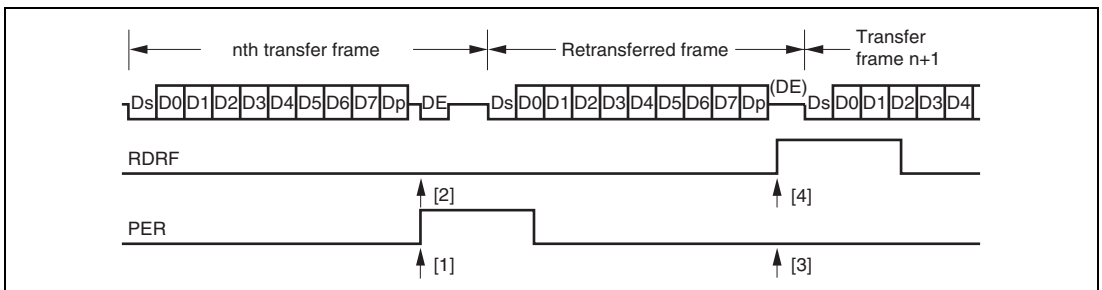
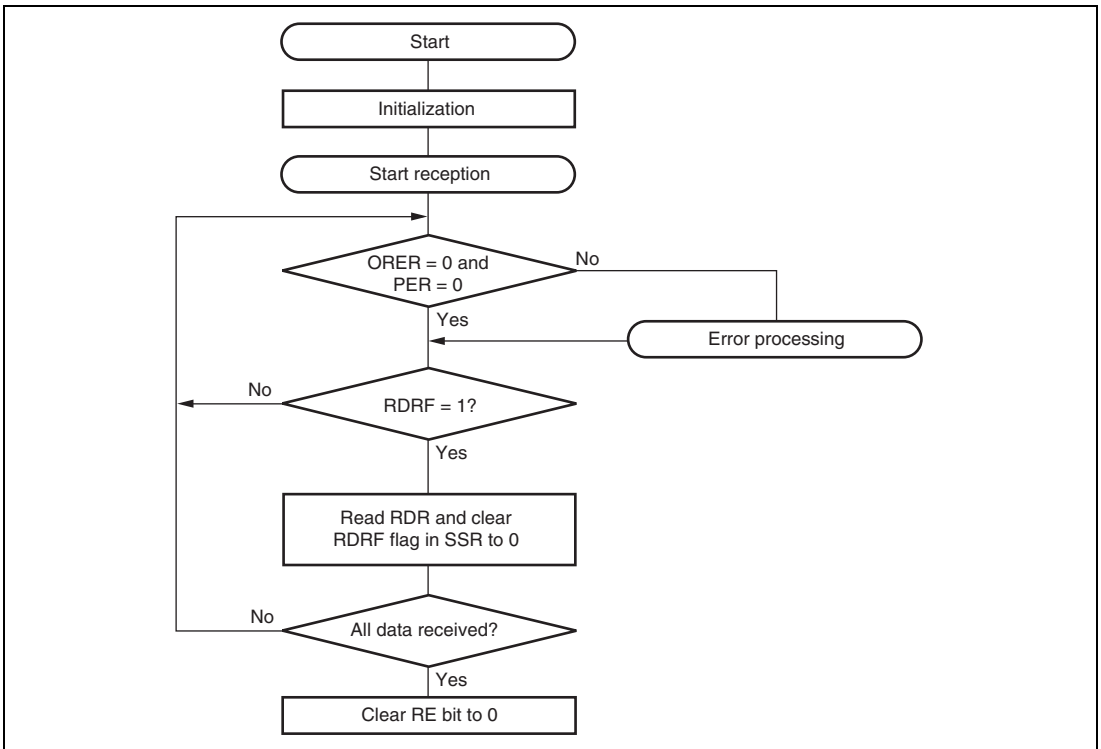


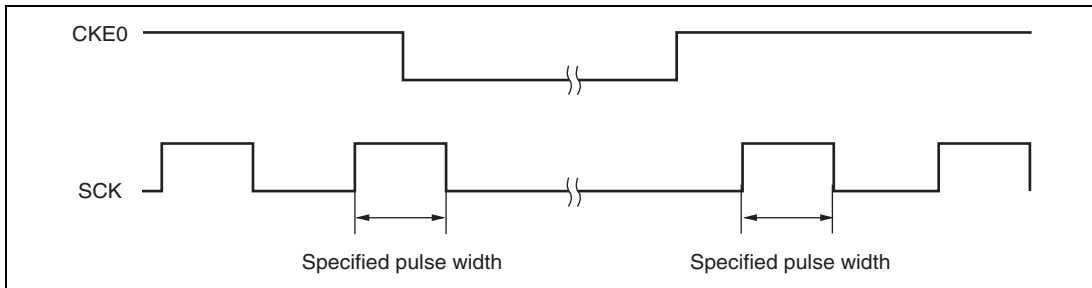
Figure 13.29 Retransfer Operation in SCI Receive Mode



**Figure 13.30 Example of Reception Processing Flow**

### 13.7.8 Clock Output Control

When the GM bit in SMR is set to 1, the clock output level can be fixed with bits CKE0 and CKE1 in SCR. At this time, the minimum clock pulse width can be made the specified width. Figure 13.31 shows the timing for fixing the clock output level. In this example, GM is set to 1, CKE1 is cleared to 0, and the CKE0 bit is controlled.



**Figure 13.31 Timing for Fixing Clock Output Level**

When turning on the power or switching between smart card interface mode and software standby mode, the following procedures should be followed in order to maintain the clock duty cycle.

**Powering On:** To secure clock duty cycle from power-on, the following switching procedure should be followed.

1. The initial state is port input and high impedance. Use a pull-up resistor or pull-down resistor to fix the potential.
2. Fix the SCK pin to the specified output level with the CKE1 bit in SCR.
3. Set SMR and SCMR, and switch to smart card mode operation.
4. Set the CKE0 bit in SCR to 1 to start clock output.

#### **When changing from smart card interface mode to software standby mode:**

1. Set the data register (DR) and data direction register (DDR) corresponding to the SCK pin to the value for the fixed output state in software standby mode.
2. Write 0 to the TE bit and RE bit in the serial control register (SCR) to halt transmit/receive operation. At the same time, set the CKE1 bit to the value for the fixed output state in software standby mode.
3. Write 0 to the CKE0 bit in SCR to halt the clock.
4. Wait for one serial clock period.

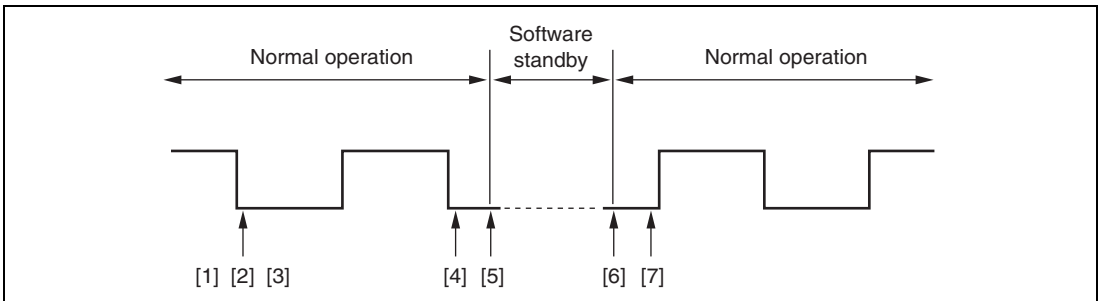


During this interval, clock output is fixed at the specified level, with the duty cycle preserved.

5. Make the transition to the software standby state.

**When returning to smart card interface mode from software standby mode:**

1. Exit the software standby state.
2. Write 1 to the CKE0 bit in SCR and output the clock. Signal generation is started with the normal duty cycle.



**Figure 13.32 Clock Halt and Restart Procedure**

## 13.8 Interrupt Sources

### 13.8.1 Interrupts in Normal Serial Communication Interface Mode

Table 13.12 shows the interrupt sources in normal serial communication interface mode. A different interrupt vector is assigned to each interrupt source, and individual interrupt sources can be enabled or disabled using the enable bits in SCR.

When the TDRE flag in SSR is set to 1, a TXI interrupt request is generated. When the TEND flag in SSR is set to 1, a TEI interrupt request is generated. A TXI interrupt can activate the DTC to perform data transfer. The TDRE flag is cleared to 0 automatically when data is transferred by the DTC.

When the RDRF flag in SSR is set to 1, an RXI interrupt request is generated. When the ORER, PER, or FER flag in SSR is set to 1, an ERI interrupt request is generated. An RXI interrupt request can activate the DTC to transfer data. The RDRF flag is cleared to 0 automatically when data is transferred by the DTC.

A TEI interrupt is requested when the TEND flag is set to 1 and the TEIE bit is set to 1. If a TEI interrupt and a TXI interrupt are requested simultaneously, the TXI interrupt has priority for acceptance. However, if the TDRE and TEND flags are cleared simultaneously by the TXI interrupt routine, the SCI cannot branch to the TEI interrupt routine later.

**Table 13.12 SCI Interrupt Sources**

Channel	Name	Interrupt Source	Interrupt Flag	DTC Activation
0	ERI_0	Receive Error	ORER, FER, PER	Not possible
	RXI_0	Receive Data Full	RDRF	Possible
	TXI_0	Transmit Data Empty	TDRE	Possible
	TEI_0	Transmission End	TEND	Not possible
2	ERI_2	Receive Error	ORER, FER, PER	Not possible
	RXI_2	Receive Data Full	RDRF	Possible
	TXI_2	Transmit Data Empty	TDRE	Possible
	TEI_2	Transmission End	TEND	Not possible

### 13.8.2 Interrupts in Smart Card Interface Mode

Table 13.13 shows the interrupt sources in smart card interface mode. The transmit end interrupt (TEI) request cannot be used in this mode.

**Table 13.13 SCI Interrupt Sources**

Channel	Name	Interrupt Source	Interrupt Flag	DTC Activation
0	ERI_0	Receive Error, error signal detection	ORER, PER, ERS	Not possible
	RXI_0	Receive Data Full	RDRF	Possible
	TXI_0	Transmit Data Empty	TEND	Possible
2	ERI_2	Receive Error, error signal detection	ORER, PER, ERS	Not possible
	RXI_2	Receive Data Full	RDRF	Possible
	TXI_2	Transmit Data Empty	TEND	Possible

In smart card interface mode, as in normal serial communication interface mode, transfer can be carried out using the DTC. In transmit operations, the TDRE flag is also set to 1 at the same time as the TEND flag in SSR is set, and a TXI interrupt is generated. If the TXI request is designated beforehand as a DTC activation source, the DTC will be activated by the TXI request, and transmit data will be transferred. The TDRE and TEND flags are automatically cleared to 0 when data is transferred by the DTC. In the event of an error, the SCI retransmits the same data automatically. During this period, the TEND flag remains cleared to 0 and the DTC is not activated. Therefore, the SCI and DTC will automatically transmit the specified number of bytes in the event of an error, including retransmission. However, the ERS flag is not cleared automatically when an error occurs. Hence, the RIE bit should be set to 1 beforehand so that an ERI request will be generated in the event of an error, and the ERS flag will be cleared.

When transferring using the DTC, it is essential to set and enable the DTC before carrying out SCI setting. For details of the DTC setting procedures, see section 8, Data Transfer Controller (DTC).

In receive operations, an RXI interrupt request is generated when the RDRF flag in SSR is set to 1. If the RXI request is designated beforehand as a DTC activation source, the DTC will be activated by the RXI request, and the receive data will be transferred. The RDRF flag is cleared to 0 automatically when data is transferred by the DTC. If an error occurs, an error flag is set but the RDRF flag is not. Consequently, the DTC is not activated, instead, an ERI interrupt request is sent to the CPU. Therefore, the error flag should be cleared.

## 13.9 Usage Notes

### 13.9.1 Module Stop Mode Setting

SCI operation can be disabled or enabled using the module stop control register. The initial setting is for SCI operation to be halted. Register access is enabled by clearing module stop mode. For details, see section 21, Power-Down Modes.

### 13.9.2 Break Detection and Processing

When framing error detection is performed, a break can be detected by reading the RxD pin value directly. In a break, the input from the RxD pin becomes all 0s, setting the FER flag, and possibly the PER flag. Note that as the SCI continues the receive operation after receiving a break, even if the FER flag is cleared to 0, it will be set to 1 again.

### 13.9.3 Mark State and Break Detection

When TE is 0, the TxD pin is used as an I/O port whose direction (input or output) and level are determined by DR and DDR. This can be used to set the TxD pin to mark state (high level) or send a break during serial data transmission. To maintain the communication line at mark state until TE is set to 1, set both DDR and DR to 1. As TE is cleared to 0 at this point, the TxD pin becomes an I/O port, and 1 is output from the TxD pin. To send a break during serial transmission, first set DDR to 1 and DR to 0, and then clear TE to 0. When TE is cleared to 0, the transmitter is initialized regardless of the current transmission state, the TxD pin becomes an I/O port, and 0 is output from the TxD pin.

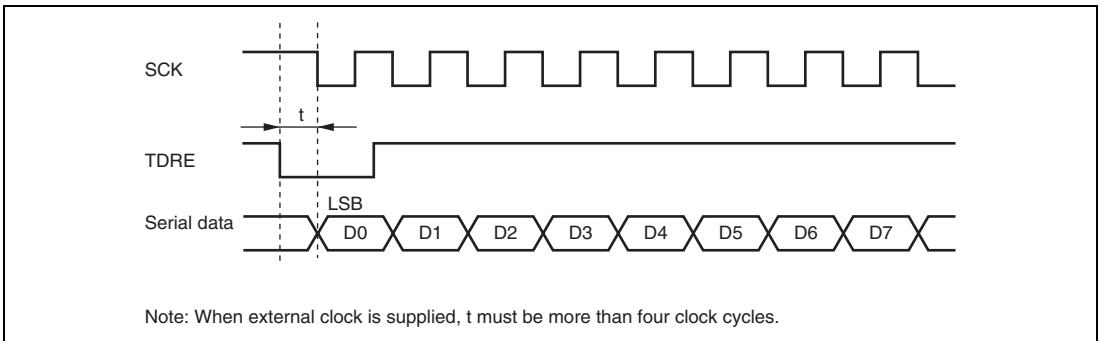
### 13.9.4 Receive Error Flags and Transmit Operations (Clocked Synchronous Mode Only)

Transmission cannot be started when a receive error flag (ORER, PER, or FER) is set to 1, even if the TDRE flag is cleared to 0. Be sure to clear the receive error flags to 0 before starting transmission. Note also that receive error flags cannot be cleared to 0 even if the RE bit is cleared to 0.

### 13.9.5 Restrictions on Using DTC

When the external clock source is used as a synchronization clock, update TDR by the DTC and wait for at least five  $\phi$  clock cycles before allowing the transmit clock to be input. If the transmit clock is input within four clock cycles after TDR modification, the SCI may malfunction (figure 13.33).

When using the DTC to read RDR, be sure to set the receive end interrupt source (RXI) as a DTC activation source.



**Figure 13.33 Sample Transmission using DTC in Clocked Synchronous Mode**

### 13.9.6 SCI Operations during Mode Transitions

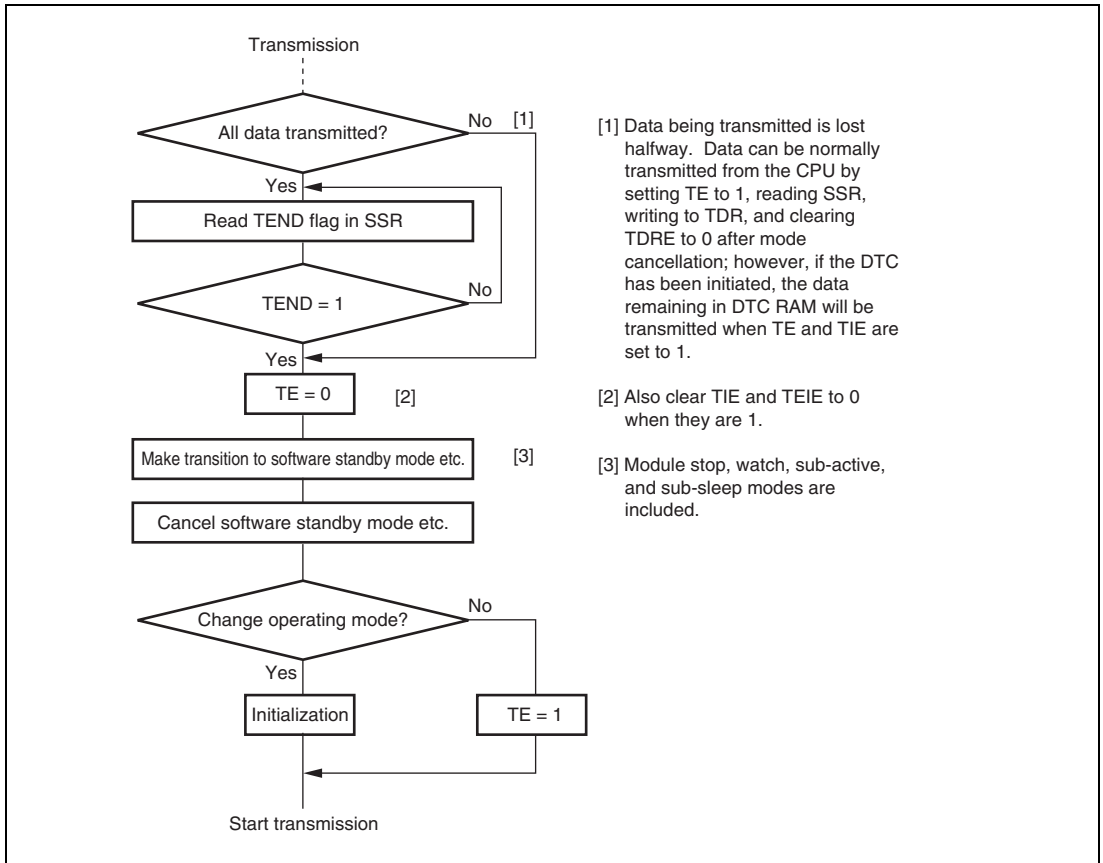
**Transmission:** Before making the transition to module stop, software standby, watch, sub-active, or sub-sleep mode, stop all transmit operations ( $TE = TIE = TEIE = 0$ ). TSR, TDR, and SSR are reset. The states of the output pins during each mode depend on the port settings, and the pins output a high-level signal after mode is cancelled and then the TE is set to 1 again. If the transition is made during data transmission, the data being transmitted will be undefined.

To transmit data in the same transmission mode after mode cancellation, set TE to 1, read SSR, write to TDR, clear TDRE in this order, and then start transmission. To transmit data in a different transmission mode, initialize the SCI first.

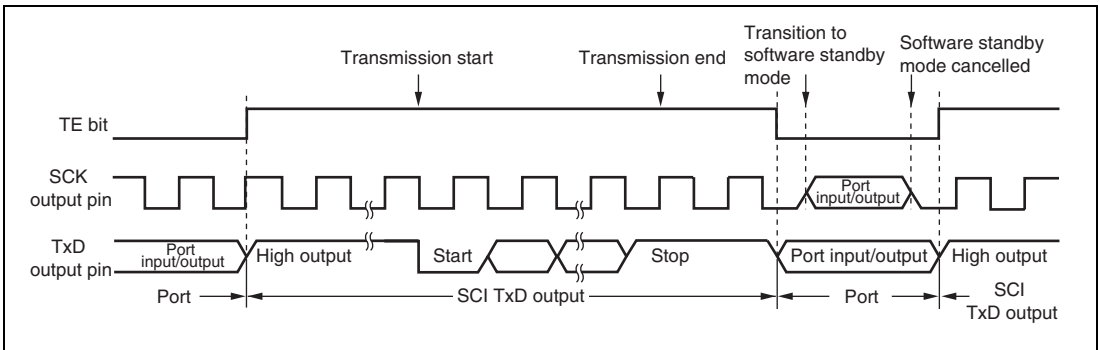
Figure 13.34 shows a sample flowchart for mode transition during transmission. Figures 13.35 and 13.36 show the pin states during transmission.

Before making the transition from the transmission mode using DTC transfer to module stop, software standby, watch, sub-active, or sub-sleep mode, stop all transmit operations ( $TE = TIE =$

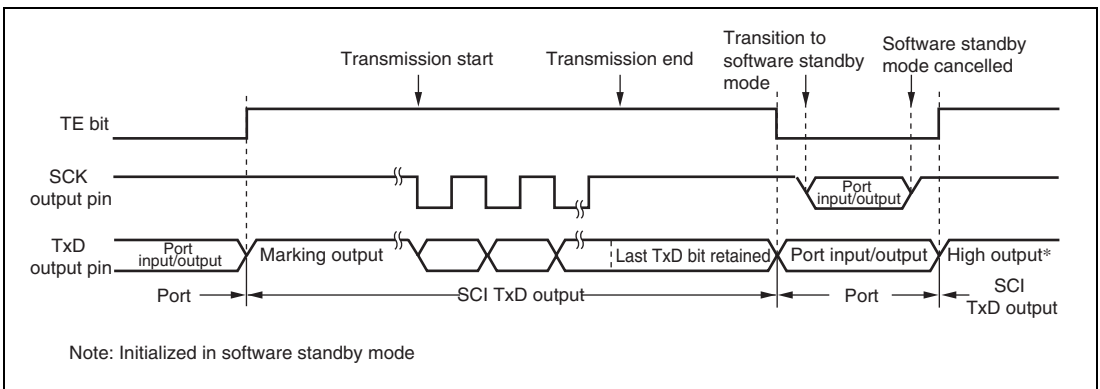
TEIE = 0). Setting TE and TIE to 1 after mode cancellation generates a TXI interrupt request to start transmission using the DTC.



**Figure 13.34 Sample Flowchart for Mode Transition during Transmission**



**Figure 13.35 Pin States during Transmission in Asynchronous Mode (Internal Clock)**

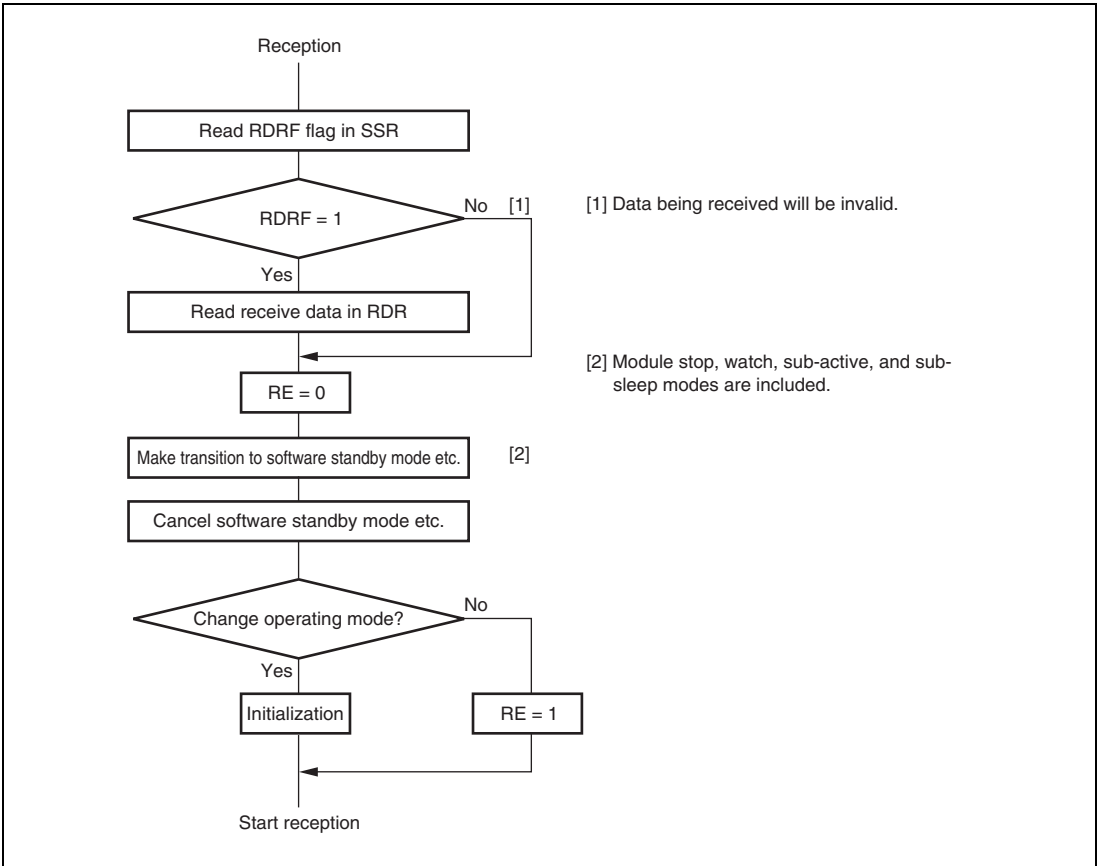


**Figure 13.36 Pin States during Transmission in Clocked Synchronous Mode (Internal Clock)**

**Reception:** Before making the transition to module stop, software standby, watch, sub-active, or sub-sleep mode, stop reception ( $RE = 0$ ). RSR, RDR, and SSR are reset. If transition is made during data reception, the data being received will be invalid.

To receive data in the same reception mode after mode cancellation, set  $RE$  to 1, and then start reception. To receive data in a different reception mode, initialize the SCI first.

Figure 13.37 shows a sample flowchart for mode transition during reception.



**Figure 13.37 Sample Flowchart for Mode Transition during Reception**

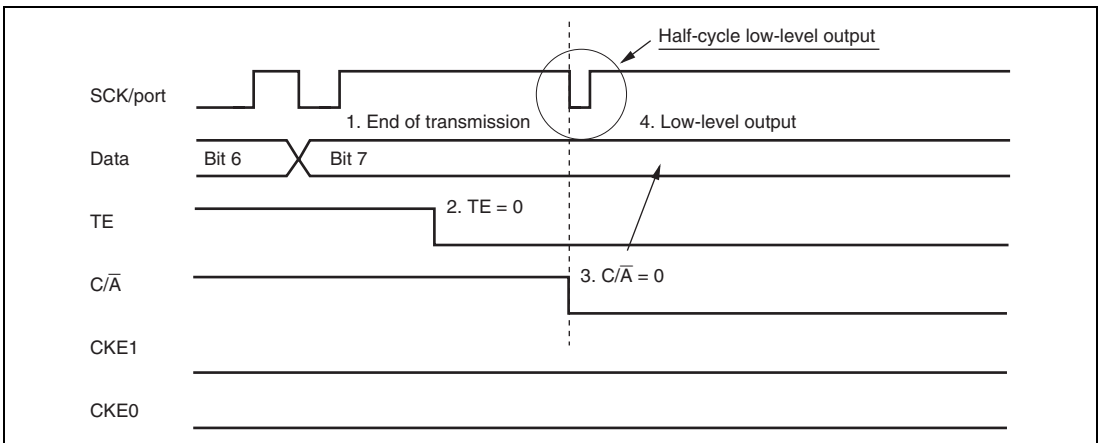


### 13.9.7 Notes when Switching from SCK Pin to Port Pin

- Problem in Operation: When DDR and DR are set to 1, SCI clock output is used in clocked synchronous mode, and the SCK pin is changed to the port pin while transmission is ended, port output is enabled after low-level output occurs for one half-cycle.

When switching the SCK pin to the port pin by making the following settings while  $DDR = 1$ ,  $DR = 1$ ,  $C/\bar{A} = 1$ ,  $CKE1 = 0$ ,  $CKE0 = 0$ , and  $TE = 1$ , low-level output occurs for one half-cycle.

1. End of serial data transmission
2.  $TE = 0$
3.  $C/\bar{A}$  bit = 0 ... switchover to port output
4. Occurrence of low-level output (see figure 13.38)



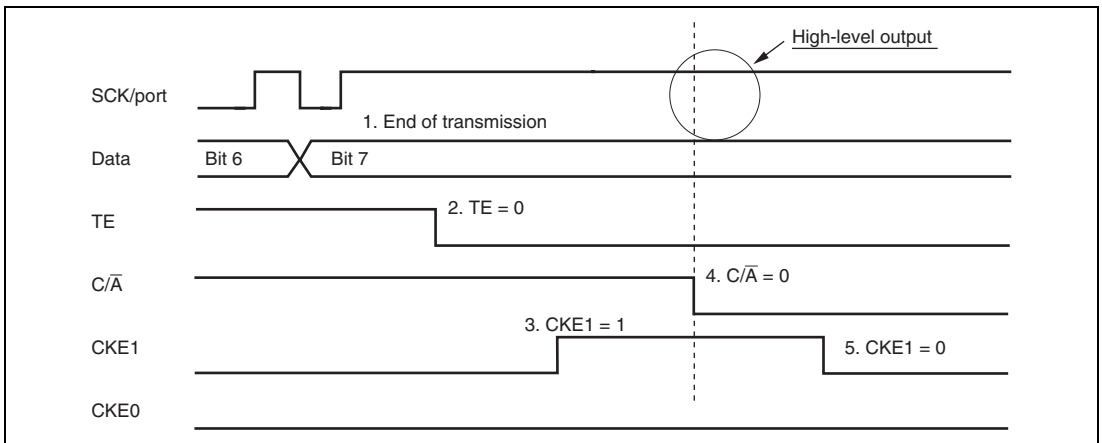
**Figure 13.38 Operation when Switching from SCK Pin to Port Pin**

- Usage Note: To prevent low-level output occurred when switching the SCK pin to port pin, follow the procedure described below.

As this sample procedure temporarily places the SCK pin in the input state, the SCK/port pin should be pulled up beforehand with an external circuit.

With  $DDR = 1$ ,  $DR = 1$ ,  $C/\bar{A} = 1$ ,  $CKE1 = 0$ ,  $CKE0 = 0$ , and  $TE = 1$ , make the following settings in the order shown.

1. End of serial data transmission
2.  $TE$  bit = 0
3.  $CKE1$  bit = 1
4.  $C/\bar{A}$  bit = 0 ... switchover to port output
5.  $CKE1$  bit = 0



**Figure 13.39 Operation when Switching from SCK Pin to Port Pin  
(Example of Preventing Low-Level Output)**

## Section 14 Controller Area Network (HCAN)

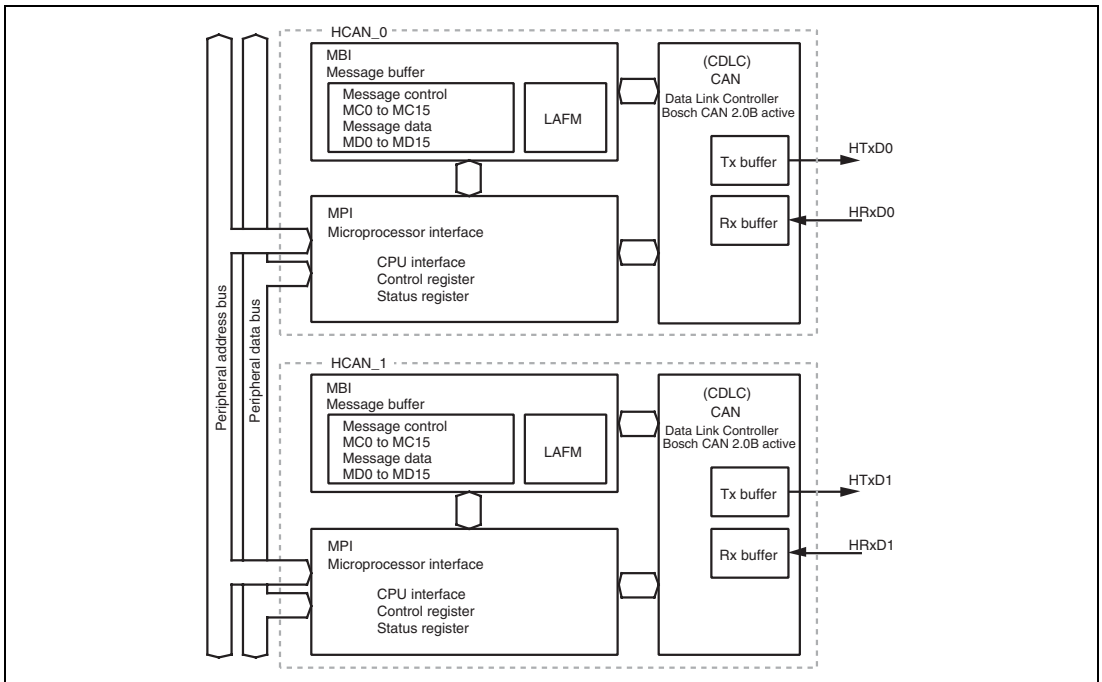
The HCAN is a module for controlling a controller area network (CAN) for realtime communication in vehicular and industrial equipment systems, etc. For details on CAN specification, see Bosch CAN Specification Version 2.0 1991, Robert Bosch GmbH.

The block diagram of the HCAN is shown in figure 14.1.

### 14.1 Features

- CAN version: Bosch 2.0B active compatible
  - Communication systems: NRZ (Non-Return to Zero) system (with bit-stuffing function)
  - Broadcast communication system
  - Transmission path: Bidirectional 2-wire serial communication
  - Communication speed: Max. 1 Mbps
  - Data length: 0 to 8 bytes
- Number of channels: 2
- Data buffers: 16 for each channel (one receive-only buffer and 15 buffers settable for transmission/reception)
- Data transmission: Two methods
  - Mailbox (buffer) number order (low-to-high)
  - Message priority (identifier) reverse-order (high-to-low)
- Data reception: Two methods
  - Message identifier match (transmit/receive-setting buffers)
  - Reception with message identifier masked (receive-only)
- CPU interrupts: 12 for each channel
  - Error interrupt
  - Reset processing interrupt
  - Message reception interrupt
  - Message transmission interrupt
- HCAN operating modes

- Support for various modes
  - Hardware reset
  - Software reset
  - Normal status (error-active, error-passive)
  - Bus off status
  - HCAN configuration mode
  - HCAN sleep mode
  - HCAN halt mode
- Other features
  - DTC can be activated by message reception mailbox (HCAN mailbox 0 only)
- Module stop mode can be set



**Figure 14.1 HCAN Block Diagram**

- **Message Buffer Interface (MBI)**

The MBI, consisting of mailboxes and a local acceptance filter mask (LAFM), stores CAN transmit/receive messages (identifiers, data, etc.) Transmit messages are written by the CPU. For receive messages, the data received by the CDLC is stored automatically.

- **Microprocessor Interface (MPI)**

The MPI, consisting of a bus interface, control register, status register, etc., controls HCAN internal data, status, and so forth.

- **CAN Data Link Controller (CDLC)**

The CDLC, conforming to the Bosch CAN Ver. 2.0B active standard, performs transmission and reception of messages (data frames, remote frames, error frames, overload frames, inter-frame spacing), as well as CRC checking, bus arbitration, and other functions.

## 14.2 Input/Output Pins

Table 14.1 shows the HCAN pins.

When using HCAN pins, settings must be made in the HCAN configuration mode (during initialization: MCR0 = 1 and GSR3 = 1).

**Table 14.1 HCAN Pins**

Channel	Name	Abbreviation	Input/Output	Function
0	HCAN transmit data pin 0	HTxD0	Output	CAN bus transmission pin for channel 0
	HCAN receive data pin 0	HRxD0	Input	CAN bus reception pin for channel 0
1	HCAN transmit data pin 1	HTxD1	Output	CAN bus transmission pin for channel 1
	HCAN receive data pin 1	HRxD1	Input	CAN bus reception pin for channel 1

A bus driver is necessary for the interface between the pins and the CAN bus. A Philips PCA82C250 compatible model is recommended.

### 14.3 Register Descriptions

The HCAN has the following registers.

- Master control register (MCR)
- General status register (GSR)
- Bit configuration register (BCR)
- Mailbox configuration register (MBCR)
- Transmit wait register (TXPR)
- Transmit wait cancel register (TXCR)
- Transmit acknowledge register (TXACK)
- Abort acknowledge register (ABACK)
- Receive complete register (RXPR)
- Remote request register (RFPR)
- Interrupt register (IRR)
- Mailbox interrupt mask register (MBIMR)
- Interrupt mask register (IMR)
- Receive error counter (REC)
- Transmit error counter (TEC)
- Unread message status register (UMSR)
- Local acceptance filter mask H (LAFMH)
- Local acceptance filter mask L (LAFML)
- Message control (8-bit × 8 registers × 16 sets) (MC0 to MC15)
- Message data (8-bit × 8 registers × 16 sets) (MD0 to MD15)
- HCAN Monitor Register (HCANMON)

### 14.3.1 Master Control Register (MCR)

MCR is an 8-bit register that controls the HCAN.

Bit	Bit Name	Initial Value	R/W	Description
7	MCR7	0	R/W	HCAN Sleep Mode Release When this bit is set to 1, the HCAN automatically exits HCAN sleep mode on detection of CAN bus operation.
6	—	0	R	Reserved This bit is always read as 0. The write value should always be 0.
5	MCR5	0	R/W	HCAN Sleep Mode When this bit is set to 1, the HCAN requests HCAN sleep mode transition. When this bit is cleared to 0, HCAN sleep mode is released.
4, 3	—	All 0	R	Reserved These bits are always read as 0. The write value should always be 0.
2	MCR2	0	R/W	Message Transmission Method 0: Transmission order determined by message identifier priority 1: Transmission order determined by mailbox (buffer) number priority (TXPR1 > TXPR15)
1	MCR1	0	R/W	Halt Request When this bit is set to 1, the HCAN requests HCAN HALT mode transition. When this bit is cleared to 0, HCAN HALT mode is released.
0	MCR0	1	R/W	Reset Request When this bit is set to 1, the HCAN requests reset mode transition. For details, see section 14.4.1, Hardware and Software Resets. [Setting conditions] <ul style="list-style-type: none"> <li>Writing 1 to this bit (software reset)</li> </ul> [Clearing condition] <ul style="list-style-type: none"> <li>When 0 is written to this bit while the GSR3 bit in GSR is 1</li> </ul>

### 14.3.2 General Status Register (GSR)

GSR is an 8-bit register that indicates the status of the CAN bus.

Bit	Bit Name	Initial Value	R/W	Description
7 to 4	—	All 0	R	Reserved These bits are always read as 0. The write value should always be 0.
3	GSR3	1	R	Reset Status Bit Indicates whether the HCAN module is in the normal operation state or the reset state. This bit cannot be modified. [Setting condition] <ul style="list-style-type: none"> <li>• When entering configuration mode after the HCAN internal reset has finished</li> <li>• Sleep mode</li> </ul> [Clearing condition] <ul style="list-style-type: none"> <li>• When entering the normal operation state after the MCR0 bit in MCR is cleared to 0 (Note that there is a delay between clearing of the MCR0 bit and the GSR3 bit.)</li> </ul>
2	GSR2	1	R	Message Transmission Status Flag Flag that indicates whether the module is currently in the message transmission period. This bit cannot be modified. [Setting condition] <ul style="list-style-type: none"> <li>• Third bit of intermission after EOF (End of Frame)</li> </ul> [Clearing condition] <ul style="list-style-type: none"> <li>• Start of message transmission (SOF)</li> </ul>



Bit	Bit Name	Initial Value	R/W	Description
1	GSR1	0	R	Transmit/Receive Warning Flag This bit cannot be modified. [Clearing condition] <ul style="list-style-type: none"> <li>• When <math>TEC &lt; 96</math> and <math>REC &lt; 96</math></li> <li>• <math>TEC \geq 256</math> (bus-off state)</li> </ul> [Setting condition] <ul style="list-style-type: none"> <li>• When <math>TEC \geq 96</math> or <math>REC \geq 96</math></li> </ul>
0	GSR0	0	R	Bus Off Flag This bit cannot be modified. [Setting condition] <ul style="list-style-type: none"> <li>• When <math>TEC \geq 256</math> (bus off state)</li> </ul> [Clearing condition] <ul style="list-style-type: none"> <li>• Recovery from bus off state</li> </ul>

### 14.3.3 Bit Configuration Register (BCR)

BCR is a 16-bit register that is used to set HCAN bit timing parameters and the baud rate prescaler. For details on parameters, see section 14.4.2, Initialization after Hardware Reset.

Bit	Bit Name	Initial Value	R/W	Description
15	BCR7	0	R/W	Re-Synchronization Jump Width (SJW)
14	BCR6	0	R/W	Set the maximum bit synchronization width. 00: 1 time quantum 01: 2 time quanta 10: 3 time quanta 11: 4 time quanta

Bit	Bit Name	Initial Value	R/W	Description
13	BCR5	0	R/W	Baud Rate Prescaler (BRP)
12	BCR4	0	R/W	Set the length of time quanta.
11	BCR3	0	R/W	000000: 2 × system clock
10	BCR2	0	R/W	000001: 4 × system clock
9	BCR1	0	R/W	000010: 6 × system clock
8	BCR0	0	R/W	: 111111: 128 × system clock
7	BCR15	0	R/W	Bit Sample Point (BSP) Sets the point at which data is sampled. 0: Bit sampling at one point (end of time segment 1 (TSEG1)) 1: Bit sampling at three points (end of TSEG1 and preceding and following time quanta)
6	BCR14	0	R/W	Time Segment 2 (TSEG2)
5	BCR13	0	R/W	Set the TSEG2 width within a range of 2 to 8 time quanta.
4	BCR12	0	R/W	000: Setting prohibited 001: 2 time quanta 010: 3 time quanta 011: 4 time quanta 100: 5 time quanta 101: 6 time quanta 110: 7 time quanta 111: 8 time quanta

Bit	Bit Name	Initial Value	R/W	Description
3	BCR11	0	R/W	Time Segment 1 (TSEG1)
2	BCR10	0	R/W	Set the TSEG1 (PRSEG + PHSEG1) width to between 4 and 16 time quanta.
1	BCR9	0	R/W	0000: Setting prohibited
0	BCR8	0	R/W	0001: Setting prohibited
				0010: Setting prohibited
				0011: 4 time quanta
				0100: 5 time quanta
				0101: 6 time quanta
				0110: 7 time quanta
				0111: 8 time quanta
				1000: 9 time quanta
				1001: 10 time quanta
				1010: 11 time quanta
				1011: 12 time quanta
				1100: 13 time quanta
				1101: 14 time quanta
				1110: 15 time quanta
				1111: 16 time quanta

### 14.3.4 Mailbox Configuration Register (MBCR)

MBCR is a 16-bit register that is used to set the transfer direction for each mailbox.

Bit	Bit Name	Initial Value	R/W	Description
15	MBCR7	0	R/W	These bits set the transfer direction for the corresponding mailboxes 1 to 15. MBCRn determines the transfer direction for mailbox n (n =1 to 15). 0: Corresponding mailbox is set for transmission 1: Corresponding mailbox is set for reception Bit 8 is reserved. This bit is always read as 1. The write value should always be 1.
14	MBCR6	0	R/W	
13	MBCR5	0	R/W	
12	MBCR4	0	R/W	
11	MBCR3	0	R/W	
10	MBCR2	0	R/W	
9	MBCR1	0	R/W	
8	—	1	R	
7	MBCR15	0	R/W	
6	MBCR14	0	R/W	
5	MBCR13	0	R/W	
4	MBCR12	0	R/W	
3	MBCR11	0	R/W	
2	MBCR10	0	R/W	
1	MBCR9	0	R/W	
0	MBCR8	0	R/W	

---

### 14.3.5 Transmit Wait Register (TXPR)

TXPR is a 16-bit register that is used to set a transmit wait after a transmit message is stored in a mailbox (buffer) (CAN bus arbitration wait).

Bit	Bit Name	Initial Value	R/W	Description
15	TXPR7	0	R/W	These bits set a transmit wait (CAN bus arbitration wait) for the corresponding mailboxes 1 to 15. When TXPR <sub>n</sub> (n = 1 to 15) is set to 1, the message in mailbox n becomes the transmit wait state.
14	TXPR6	0	R/W	
13	TXPR5	0	R/W	[Clearing condition]
12	TXPR4	0	R/W	
11	TXPR3	0	R/W	<ul style="list-style-type: none"> <li>• Completion of message transmission</li> <li>• Completion of transmission cancellation</li> </ul>
10	TXPR2	0	R/W	
9	TXPR1	0	R/W	Bit 8 is reserved. This bit is always read as 1. The write value should always be 1.
8	—	0	R	
7	TXPR15	0	R/W	
6	TXPR14	0	R/W	
5	TXPR13	0	R/W	
4	TXPR12	0	R/W	
3	TXPR11	0	R/W	
2	TXPR10	0	R/W	
1	TXPR9	0	R/W	
0	TXPR8	0	R/W	

### 14.3.6 Transmit Wait Cancel Register (TXCR)

TXCR is a 16-bit register that controls the cancellation of transmit wait messages in mailboxes (buffers).

Bit	Bit Name	Initial Value	R/W	Description
15	TXCR7	0	R/W	These bits cancel the transmit wait message in the corresponding mailboxes 1 to 15. When TXCR <sub>n</sub> (n = 1 to 15) is set to 1, the transmit wait message in mailbox n is canceled.
14	TXCR6	0	R/W	
13	TXCR5	0	R/W	[Clearing condition]
12	TXCR4	0	R/W	
11	TXCR3	0	R/W	• Completion of TXPR clearing when transmit message is canceled normally
10	TXCR2	0	R/W	
9	TXCR1	0	R/W	Bit 8 is reserved. This bit is always read as 0. The write value should always be 0.
8	—	0	R	
7	TXCR15	0	R/W	
6	TXCR14	0	R/W	
5	TXCR13	0	R/W	
4	TXCR12	0	R/W	
3	TXCR11	0	R/W	
2	TXCR10	0	R/W	
1	TXCR9	0	R/W	
0	TXCR8	0	R/W	

---

### 14.3.7 Transmit Acknowledge Register (TXACK)

TXACK is a 16-bit register containing status flags that indicate the normal transmission of mailbox (buffer) transmit messages.

Bit	Bit Name	Initial Value	R/W	Description
15	TXACK7	0	R/(W)*	These bits are status flags that indicate error-free transmission of the transmit message in the corresponding mailboxes 1 to 15. When the message in mailbox n (n = 1 to 15) has been transmitted error-free, TXACKn is set to 1.
14	TXACK6	0	R/(W)*	
13	TXACK5	0	R/(W)*	[Setting condition]
12	TXACK4	0	R/(W)*	
11	TXACK3	0	R/(W)*	• Completion of message transmission for corresponding mailbox
10	TXACK2	0	R/(W)*	
9	TXACK1	0	R/(W)*	[Clearing condition]
8	—	0	R	
7	TXACK15	0	R/(W)*	• Writing 1
6	TXACK14	0	R/(W)*	Bit 8 is reserved. This bit is always read as 0. The write value should always be 0.
5	TXACK13	0	R/(W)*	
4	TXACK12	0	R/(W)*	
3	TXACK11	0	R/(W)*	
2	TXACK10	0	R/(W)*	
1	TXACK9	0	R/(W)*	
0	TXACK8	0	R/(W)*	

Note: \* Only 1 can be written to clear the flag.

### 14.3.8 Abort Acknowledge Register (ABACK)

ABACK is a 16-bit register containing status flags that indicate the normal cancellation (aborting) of mailbox (buffer) transmit messages.

Bit	Bit Name	Initial Value	R/W	Description
15	ABACK7	0	R/(W)*	These bits are status flags that indicate error-free cancellation (abortion) of the transmit message in the corresponding mailboxes 1 to 15. When the message in mailbox n (n = 1 to 15) has been canceled error-free, ABACKn is set to 1.
14	ABACK6	0	R/(W)*	
13	ABACK5	0	R/(W)*	[Setting condition]
12	ABACK4	0	R/(W)*	
11	ABACK3	0	R/(W)*	• Completion of transmit message cancellation for corresponding mailbox
10	ABACK2	0	R/(W)*	
9	ABACK1	0	R/(W)*	[Clearing condition]
8	—	0	R	
7	ABACK15	0	R/(W)*	• Writing 1
6	ABACK14	0	R/(W)*	Bit 8 is reserved. This bit is always read as 0. The write value should always be 0.
5	ABACK13	0	R/(W)*	
4	ABACK12	0	R/(W)*	
3	ABACK11	0	R/(W)*	
2	ABACK10	0	R/(W)*	
1	ABACK9	0	R/(W)*	
0	ABACK8	0	R/(W)*	

Note: \* Only 1 can be written to clear the flag.



### 14.3.9 Receive Complete Register (RXPR)

RXPR is a 16-bit register containing status flags that indicate the normal reception of messages in mailboxes (buffers). For reception of a remote frame, when a bit in this register is set to 1, the corresponding remote request register (RFPR) bit is also set to 1 simultaneously.

Bit	Bit Name	Initial Value	R/W	Description
15	RXPR7	0	R/(W)*	When the message in mailbox n (n = 1 to 15) has been received error-free, RXPRn is set to 1.
14	RXPR6	0	R/(W)*	
13	RXPR5	0	R/(W)*	[Setting condition]
12	RXPR4	0	R/(W)*	<ul style="list-style-type: none"> <li>Completion of message (data frame or remote frame) reception in corresponding mailbox</li> </ul>
11	RXPR3	0	R/(W)*	
10	RXPR2	0	R/(W)*	[Clearing condition]
9	RXPR1	0	R/(W)*	<ul style="list-style-type: none"> <li>Writing 1</li> </ul>
8	RXPR0	0	R/(W)*	
7	RXPR15	0	R/(W)*	
6	RXPR14	0	R/(W)*	
5	RXPR13	0	R/(W)*	
4	RXPR12	0	R/(W)*	
3	RXPR11	0	R/(W)*	
2	RXPR10	0	R/(W)*	
1	RXPR9	0	R/(W)*	
0	RXPR8	0	R/(W)*	

Note: \* Only 1 can be written to clear the flag.

### 14.3.10 Remote Request Register (RFPR)

RFPR is a 16-bit register containing status flags that indicate normal reception of remote frames in mailboxes (buffers). When a bit in this register is set to 1, the corresponding receive complete register (RXPR) bit is also set to 1 simultaneously.

Bit	Bit Name	Initial Value	R/W	Description
15	RFPR7	0	R/(W)*	When mailbox n (n = 0 to 15) has received the remote frame error-free, RFPRn (n = 1 to 15) is set to 1.
14	RFPR6	0	R/(W)*	
13	RFPR5	0	R/(W)*	[Setting condition]
12	RFPR4	0	R/(W)*	<ul style="list-style-type: none"> <li>Completion of remote frame reception in corresponding mailbox</li> </ul>
11	RFPR3	0	R/(W)*	
10	RFPR2	0	R/(W)*	[Clearing condition]
9	RFPR1	0	R/(W)*	<ul style="list-style-type: none"> <li>Writing 1</li> </ul>
8	RFPR0	0	R/(W)*	
7	RFPR15	0	R/(W)*	
6	RFPR14	0	R/(W)*	
5	RFPR13	0	R/(W)*	
4	RFPR12	0	R/(W)*	
3	RFPR11	0	R/(W)*	
2	RFPR10	0	R/(W)*	
1	RFPR9	0	R/(W)*	
0	RFPR8	0	R/(W)*	

Note: \* Only 1 can be written to clear the flag.

### 14.3.11 Interrupt Register (IRR)

IRR is a 16-bit interrupt status flag register.

Bit	Bit Name	Initial Value	R/W	Description
15	IRR7	0	R/(W)*	Overload Frame [Setting condition] <ul style="list-style-type: none"> <li>When an overload frame is transmitted in error active/passive state</li> </ul> [Clearing condition] <ul style="list-style-type: none"> <li>Writing 1</li> </ul>
14	IRR6	0	R/(W)*	Bus Off Interrupt Flag Status flag indicating the bus off state caused by the transmit error counter. [Setting condition] <ul style="list-style-type: none"> <li>When <math>TEC \geq 256</math></li> </ul> [Clearing condition] <ul style="list-style-type: none"> <li>Writing 1</li> </ul>
13	IRR5	0	R/(W)*	Error Passive Interrupt Flag Status flag indicating the error passive state caused by the transmit/receive error counter. [Setting condition] <p>When <math>TEC \geq 128</math> or <math>REC \geq 128</math></p> [Clearing condition] <ul style="list-style-type: none"> <li>Writing 1</li> </ul>
12	IRR4	0	R/(W)*	Receive Overload Warning Interrupt Flag Status flag indicating the error warning state caused by the receive error counter. [Setting condition] <p>When <math>REC \geq 96</math></p> [Clearing condition] <ul style="list-style-type: none"> <li>Writing 1</li> </ul>

Bit	Bit Name	Initial Value	R/W	Description
11	IRR3	0	R/(W)*	<p>Transmit Overload Warning Interrupt Flag</p> <p>Status flag indicating the error warning state caused by the transmit error counter.</p> <p>[Setting condition]</p> <ul style="list-style-type: none"> <li>When <math>TEC \geq 96</math></li> </ul> <p>[Clearing condition]</p> <ul style="list-style-type: none"> <li>Writing 1</li> </ul>
10	IRR2	0	R	<p>Remote Frame Request Interrupt Flag</p> <p>Status flag indicating that a remote frame has been received in a mailbox (buffer) when the corresponding bit in MBIMR is 0.</p> <p>[Setting condition]</p> <ul style="list-style-type: none"> <li>When remote frame reception is completed, when corresponding MBIMR = 0</li> </ul> <p>[Clearing condition]</p> <ul style="list-style-type: none"> <li>Clearing of all bits in RFPR (remote request register)</li> </ul>
9	IRR1	0	R	<p>Receive Message Interrupt Flag</p> <p>Status flag indicating that a mailbox (buffer) has received a message normally when the corresponding bit in MBIMR is 0.</p> <p>[Setting condition]</p> <ul style="list-style-type: none"> <li>When data frame or remote frame reception is completed, when corresponding MBIMR = 0</li> </ul> <p>[Clearing condition]</p> <ul style="list-style-type: none"> <li>Clearing of all bits in RXPR (receive complete register)</li> </ul>

Bit	Bit Name	Initial Value	R/W	Description
8	IRR0	1	R/(W)*	<p>Reset Interrupt Flag</p> <p>Status flag indicating that the HCAN module has been reset. This bit cannot be masked by the interrupt mask register (IMR). If this bit is not cleared to 0 after entering power-on reset or returning from software standby mode, interrupt processing will start immediately when the interrupt controller enables interrupts.</p> <p>[Setting condition]</p> <ul style="list-style-type: none"> <li>When the reset operation has finished after entering power-on reset or software standby mode</li> </ul> <p>[Clearing condition]</p> <ul style="list-style-type: none"> <li>Writing 1</li> </ul>
7 to 5	—	All 0	—	<p>Reserved</p> <p>These bits are always read as 0. The write value should always be 0.</p>
4	IRR12	0	R/(W)*	<p>Bus Operation Interrupt Flag</p> <p>Status flag indicating detection of a dominant bit due to bus operation when the HCAN module is in HCAN sleep mode.</p> <p>[Setting condition]</p> <ul style="list-style-type: none"> <li>Bus operation (dominant bit) detection in HCAN sleep mode</li> </ul> <p>[Clearing condition]</p> <ul style="list-style-type: none"> <li>Writing 1</li> </ul>
3, 2	—	All 0	—	<p>Reserved</p> <p>These bits are always read as 0. The write value should always be 0.</p>

Bit	Bit Name	Initial Value	R/W	Description
1	IRR9	0	R	<p>Unread Interrupt Flag</p> <p>Status flag indicating that a receive message has been overwritten before being read.</p> <p>[Setting condition]</p> <ul style="list-style-type: none"><li>• When UMSR (unread message status register) is set</li></ul> <p>[Clearing condition]</p> <ul style="list-style-type: none"><li>• Clearing of all bits in UMSR (unread message status register)</li></ul>
0	IRR8	0	R/(W)*	<p>Mailbox Empty Interrupt Flag</p> <p>Status flag indicating that the next transmit message can be stored in the mailbox.</p> <p>[Setting condition]</p> <ul style="list-style-type: none"><li>• When TXPR (transmit wait register) is cleared by completion of transmission or completion of transmission abort</li></ul> <p>[Clearing condition]</p> <ul style="list-style-type: none"><li>• Writing 1</li></ul>

---

Note: \* Only 1 can be written to clear the flag.

### 14.3.12 Mailbox Interrupt Mask Register (MBIMR)

MBIMR is a 16-bit register that controls the enabling or disabling of individual mailbox (buffer) interrupt requests.

Bit	Bit Name	Initial Value	R/W	Description
15	MBIMR7	1	R/W	Mailbox Interrupt Mask (MBIMRx)
14	MBIMR6	1	R/W	When MBIMRn (n = 1 to 15) is cleared to 0, the interrupt request in mailbox n is enabled. When set to 1, the interrupt request is masked.
13	MBIMR5	1	R/W	
12	MBIMR4	1	R/W	The interrupt source in a transmit mailbox is TXPR clearing caused by transmission end or transmission cancellation. The interrupt source in a receive mailbox is RXPR setting on reception end.
11	MBIMR3	1	R/W	
10	MBIMR2	1	R/W	
9	MBIMR1	1	R/W	
8	MBIMR0	1	R/W	
7	MBIMR15	1	R/W	
6	MBIMR14	1	R/W	
5	MBIMR13	1	R/W	
4	MBIMR12	1	R/W	
3	MBIMR11	1	R/W	
2	MBIMR10	1	R/W	
1	MBIMR9	1	R/W	
0	MBIMR8	1	R/W	

### 14.3.13 Interrupt Mask Register (IMR)

IMR is a 16-bit register containing flags that enable or disable requests by individual interrupt sources. The reset interrupt flag cannot be masked.

Bit	Bit Name	Initial Value	R/W	Description
15	IMR7	1	R/W	Overload Frame Interrupt Mask When this bit is cleared to 0, an interrupt request by IRR7 (OVR0) is enabled. When set to 1, it is masked.
14	IMR6	1	R/W	Bus Off Interrupt Mask When this bit is cleared to 0, an interrupt request by IRR6 (ERS0) is enabled. When set to 1, it is masked.
13	IMR5	1	R/W	Error Passive Interrupt Mask When this bit is cleared to 0, an interrupt request by IRR5 (ERS0) is enabled. When set to 1, it is masked.
12	IMR4	1	R/W	Receive Overload Warning Interrupt Mask When this bit is cleared to 0, an interrupt request by IRR4 (OVR0) is enabled. When set to 1, it is masked.
11	IMR3	1	R/W	Transmit Overload Warning Interrupt Mask When this bit is cleared to 0, an interrupt request by IRR3 (OVR0) is enabled. When set to 1, it is masked.
10	IMR2	1	R/W	Remote Frame Request Interrupt Mask When this bit is cleared to 0, an interrupt request by IRR2 (OVR0) is enabled. When set to 1, it is masked.
9	IMR1	1	R/W	Receive Message Interrupt Mask When this bit is cleared to 0, an interrupt request by IRR1 (RM1) is enabled. When set to 1, it is masked.
8	—	0	R	Reserved This bit is always read as 0. The write value should always be 0.
7 to 5	—	All 1	R	Reserved These bits are always read as 1. The write value should always be 1.



Bit	Bit Name	Initial Value	R/W	Description
4	IMR12	1	R/W	Bus Operation Interrupt Mask When this bit is cleared to 0, an interrupt request by IRR12 (OVR0) is enabled. When set to 1, it is masked.
3, 2	—	All 1	R	Reserved These bits are always read as 1. The write value should always be 1.
1	IMR9	1	R/W	Unread Interrupt Mask When this bit is cleared to 0, an interrupt request by IRR9 (OVR0) is enabled. When set to 1, it is masked.
0	IMR8	1	R/W	Mailbox Empty Interrupt Mask When this bit is cleared to 0, an interrupt request by IRR8 (SLE0) is enabled. When set to 1, it is masked.

#### 14.3.14 Receive Error Counter (REC)

The receive error counter (REC) is an 8-bit read-only register that functions as a counter indicating the number of receive message errors on the CAN bus. The count value is stipulated in the CAN protocol.

#### 14.3.15 Transmit Error Counter (TEC)

The transmit error counter (TEC) is an 8-bit read-only register that functions as a counter indicating the number of transmit message errors on the CAN bus. The count value is stipulated in the CAN protocol.

### 14.3.16 Unread Message Status Register (UMSR)

UMSR is a 16-bit register containing status flags that indicate, for individual mailboxes (buffers), that a received message has been overwritten by a new receive message before being read. When overwritten by a new message, data in the unread receive message is lost.

Bit	Bit Name	Initial Value	R/W	Description
15	UMSR7	0	R/(W)*	Each bit indicates that the received message has been overwritten by a new message before being read.
14	UMSR6	0	R/(W)*	
13	UMSR5	0	R/(W)*	[Setting condition]
12	UMSR4	0	R/(W)*	<ul style="list-style-type: none"> <li>When a new message is received before RXPR is cleared</li> </ul>
11	UMSR3	0	R/(W)*	
10	UMSR2	0	R/(W)*	[Clearing condition]
9	UMSR1	0	R/(W)*	<ul style="list-style-type: none"> <li>Writing 1</li> </ul>
8	UMSR0	0	R/(W)*	
7	UMSR15	0	R/(W)*	
6	UMSR14	0	R/(W)*	
5	UMSR13	0	R/(W)*	
4	UMSR12	0	R/(W)*	
3	UMSR11	0	R/(W)*	
2	UMSR10	0	R/(W)*	
1	UMSR9	0	R/(W)*	
0	UMSR8	0	R/(W)*	

Note: \* Only 1 can be written to clear the flag.

### 14.3.17 Local Acceptance Filter Masks (LAFML, LAFMH)

LAFML and LAFMH are 16-bit registers that individually set the identifier bits of the message to be stored in mailbox 0 as Don't Care. For details, see section 14.4.4, Message Reception. The relationship between the identifier bits and mask bits are shown in the following.

- LAFML

Bit	Bit Name	Initial Value	R/W	Description
15	LAFML7	0	R/W	When this bit is set to 1, ID-7 of the receive message identifier is not compared.
14	LAFML6	0	R/W	When this bit is set to 1, ID-6 of the receive message identifier is not compared.
13	LAFML5	0	R/W	When this bit is set to 1, ID-5 of the receive message identifier is not compared.
12	LAFML4	0	R/W	When this bit is set to 1, ID-4 of the receive message identifier is not compared.
11	LAFML3	0	R/W	When this bit is set to 1, ID-3 of the receive message identifier is not compared.
10	LAFML2	0	R/W	When this bit is set to 1, ID-2 of the receive message identifier is not compared.
9	LAFML1	0	R/W	When this bit is set to 1, ID-1 of the receive message identifier is not compared.
8	LAFML0	0	R/W	When this bit is set to 1, ID-0 of the receive message identifier is not compared.
7	LAFML15	0	R/W	When this bit is set to 1, ID-15 of the receive message identifier is not compared.
6	LAFML14	0	R/W	When this bit is set to 1, ID-14 of the receive message identifier is not compared.
5	LAFML13	0	R/W	When this bit is set to 1, ID-13 of the receive message identifier is not compared.
4	LAFML12	0	R/W	When this bit is set to 1, ID-12 of the receive message identifier is not compared.
3	LAFML11	0	R/W	When this bit is set to 1, ID-11 of the receive message identifier is not compared.
2	LAFML10	0	R/W	When this bit is set to 1, ID-10 of the receive message identifier is not compared.
1	LAFML9	0	R/W	When this bit is set to 1, ID-9 of the receive message identifier is not compared.
0	LAFML8	0	R/W	When this bit is set to 1, ID-8 of the receive message identifier is not compared.

- LAFMH

Bit	Bit Name	Initial Value	R/W	Description
15	LAFMH7	0	R/W	When this bit is set to 1, ID-20 of the receive message identifier is not compared.
14	LAFMH6	0	R/W	When this bit is set to 1, ID-19 of the receive message identifier is not compared.
13	LAFMH5	0	R/W	When this bit is set to 1, ID-18 of the receive message identifier is not compared.
12 to 10	—	All 0	R	Reserved These bits are always read as 0. The write value should always be 0.
9	LAFMH1	0	R/W	When this bit is set to 1, ID-17 of the receive message identifier is not compared.
8	LAFMH0	0	R/W	When this bit is set to 1, ID-16 of the receive message identifier is not compared.
7	LAFMH15	0	R/W	When this bit is set to 1, ID-28 of the receive message identifier is not compared.
6	LAFMH14	0	R/W	When this bit is set to 1, ID-27 of the receive message identifier is not compared.
5	LAFMH13	0	R/W	When this bit is set to 1, ID-26 of the receive message identifier is not compared.
4	LAFMH12	0	R/W	When this bit is set to 1, ID-25 of the receive message identifier is not compared.
3	LAFMH11	0	R/W	When this bit is set to 1, ID-24 of the receive message identifier is not compared.
2	LAFMH10	0	R/W	When this bit is set to 1, ID-23 of the receive message identifier is not compared.
1	LAFMH9	0	R/W	When this bit is set to 1, ID-22 of the receive message identifier is not compared.
0	LAFMH8	0	R/W	When this bit is set to 1, ID-21 of the receive message identifier is not compared.

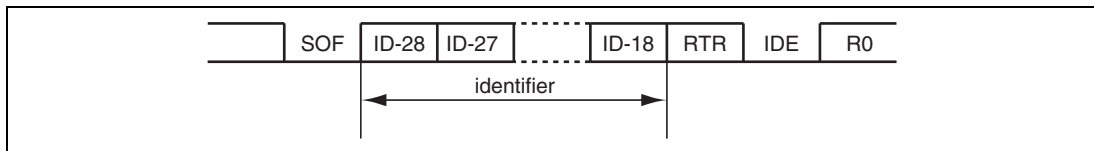
### 14.3.18 Message Control (MC0 to MC15)

The message control register sets consist of eight 8-bit registers for one mailbox. The HCAN has 16 sets of these registers. Because message control registers are in RAM, their initial values after power-on are undefined. Be sure to initialize them by writing 0 or 1. Figure 14.2 shows the register names for each mailbox.

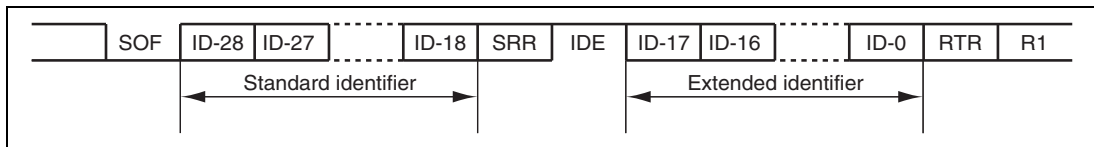
Mail box 0	MC0[1]	MC0[2]	MC0[3]	MC0[4]	MC0[5]	MC0[6]	MC0[7]	MC0[8]
Mail box 1	MC1[1]	MC1[2]	MC1[3]	MC1[4]	MC1[5]	MC1[6]	MC1[7]	MC1[8]
Mail box 2	MC2[1]	MC2[2]	MC2[3]	MC2[4]	MC2[5]	MC2[6]	MC2[7]	MC2[8]
Mail box 3	MC3[1]	MC3[2]	MC3[3]	MC3[4]	MC3[5]	MC3[6]	MC3[7]	MC3[8]
Mail box 15	MC15[1]	MC15[2]	MC15[3]	MC15[4]	MC15[5]	MC15[6]	MC15[7]	MC15[8]

**Figure 14.2 Message Control Register Configuration**

The setting of message control registers are shown in the following. Figures 14.3 and 14.4 show the correspondence between the identifiers and register bit names.



**Figure 14.3 Standard Format**



**Figure 14.4 Extended Format**

Register Name	Bit	Bit Name	R/W	Description
MCx[1]	7 to 4	—	R/W	The initial value of these bits is undefined. They must be initialized by writing 0 or 1.
	3 to 0	DLC3 to DLC0	R/W	Data Length Code Set the data length of a data frame or the data length requested in a remote frame within the range of 0 to 8 bits. 0000: 0 byte 0001: 1 byte 0010: 2 bytes 0011: 3 bytes 0100: 4 bytes 0101: 5 bytes 0110: 6 bytes 0111: 7 bytes 1xxx: 8 bytes
MCx[2]	7 to 0	—	R/W	The initial value of these bits is undefined; they must be initialized by writing 0 or 1.
MCx[3]	7 to 0	—	R/W	
MCx[4]	7 to 0	—	R/W	
MCx[5]	7 to 5	ID-20 to ID-18	R/W	Sets ID-20 to ID-18 in the identifier.
	4	RTR	R/W	Remote Transmission Request Used to distinguish between data frames and remote frames. 0: Data frame 1: Remote frame
	3	IDE	R/W	Identifier Extension Used to distinguish between the standard format and extended format of data frames and remote frames. 0: Standard format 1: Extended format
	2	—	R/W	The initial value of this bit is undefined. It must be initialized by writing 0 or 1.
	1 to 0	ID-17 to ID-16	R/W	Sets ID-17 and ID-16 in the identifier.
MCx[6]	7 to 0	ID-28 to ID-21	R/W	Sets ID-28 to ID-21 in the identifier.
MCx[7]	7 to 0	ID-7 to ID-0	R/W	Sets ID-7 to ID-0 in the identifier.
MCx[8]	7 to 0	ID-15 to ID-8	R/W	Sets ID-15 to ID-8 in the identifier.

Note: x: Mailbox number

### 14.3.19 Message Data (MD0 to MD15)

The message data register sets consist of eight 8-bit registers for one mailbox. The HCAN has 16 sets of these registers. Because message data registers are in RAM, their initial values after power-on are undefined. Be sure to initialize them by writing 0 or 1. Figure 14.5 shows the register names for each mailbox.

Mail box 0	MD0[1]	MD0[2]	MD0[3]	MD0[4]	MD0[5]	MD0[6]	MD0[7]	MD0[8]
Mail box 1	MD1[1]	MD1[2]	MD1[3]	MD1[4]	MD1[5]	MD1[6]	MD1[7]	MD1[8]
Mail box 2	MD2[1]	MD2[2]	MD2[3]	MD2[4]	MD2[5]	MD2[6]	MD2[7]	MD2[8]
Mail box 3	MD3[1]	MD3[2]	MD3[3]	MD3[4]	MD3[5]	MD3[6]	MD3[7]	MD3[8]
Mail box 15	MD15[1]	MD15[2]	MD15[3]	MD15[4]	MD15[5]	MD15[6]	MD15[7]	MD15[8]

**Figure 14.5 Message Data Configuration**

### 14.3.20 HCAN Monitor Register (HCANMON)

HCANMON is an 8-bit register that enables/disables an HCAN receive interrupt, controls transmission stop of the HTxD pin, and reflects the states of the HCAN pins.

Bit	Bit Name	Initial Value	R/W	Description
7	RxDIE	0	R/W	HRxD Interrupt Enable Selects whether an $\overline{\text{IRQ2}}$ interrupt is caused by PF0 or HRxD pin. 0: An $\overline{\text{IRQ2}}$ interrupt is caused by pin PF0 1: An $\overline{\text{IRQ2}}$ interrupt is caused by the HRxD pin
6	TxSTP	0	R/W	HTxD Transmission Stop Controls transmission stop of the HTxD pin. 0: Enables transmission from the HTxD pin 1: Fixes an output level of the HTxD pin at 1 and transmission is stopped
5	PKFE*	0	R/W	HCAN Enable Selects PK7/HRxD1 and PK6/HTxD1 pin function 0: puts PK7 and PK6 pins in port function 1: puts PK7 pin in HRxD1 function and puts PK6 pin in HTxD1 function
4 to 2	—	Undefined	—	Reserved These bits are always read as undefined values and cannot be modified.
1	TxD	Undefined	R	Transmission pin The state of the HTxD pin is read. This bit cannot be modified.
0	RxD	Undefined	R	Reception pin The state of the HRxD pin is read. This bit cannot be modified.

Note: \* The PKFE bit supports only HCAN\_1



## 14.4 Operation

### 14.4.1 Hardware and Software Resets

The HCAN can be reset by a hardware reset or software reset.

- **Hardware Reset**

At power-on reset, or in hardware or software standby mode, the HCAN is initialized by automatically setting the MCR reset request bit (MCR0) in MCR and the reset state bit (GSR3) in GSR. At the same time, all internal registers, except for message control and message data registers, are initialized by a hardware reset.

- **Software Reset**

The HCAN can be reset by setting the MCR reset request bit (MCR0) in MCR via software. In a software reset, the error counters (TEC and REC) are initialized, however other registers are not. If the MCR0 bit is set while the CAN controller is performing a communication operation (transmission or reception), the initialization state is not entered until message transfer has been completed. The reset status bit (GSR3) in GSR is set on completion of initialization.

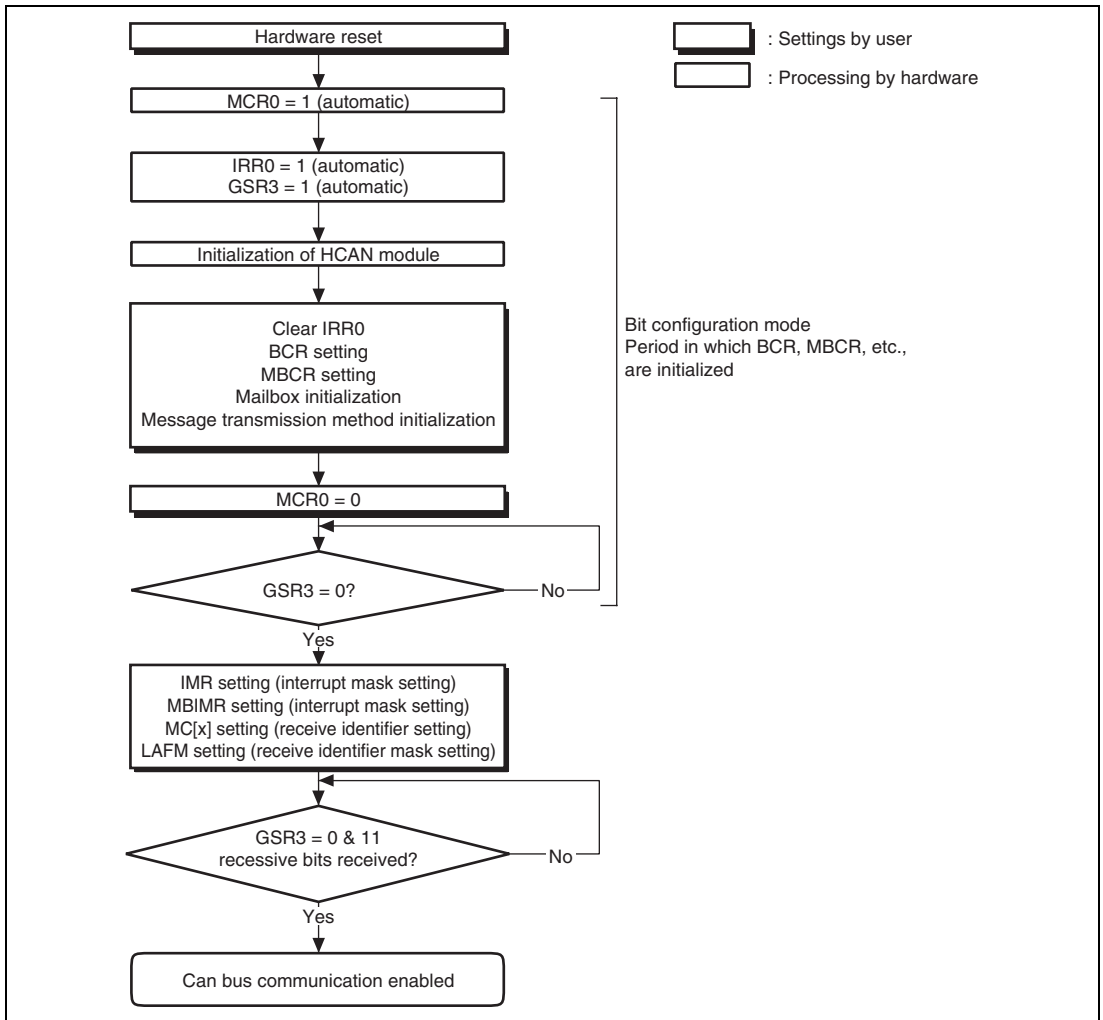
### 14.4.2 Initialization after Hardware Reset

After a hardware reset, the following initialization processing should be carried out:

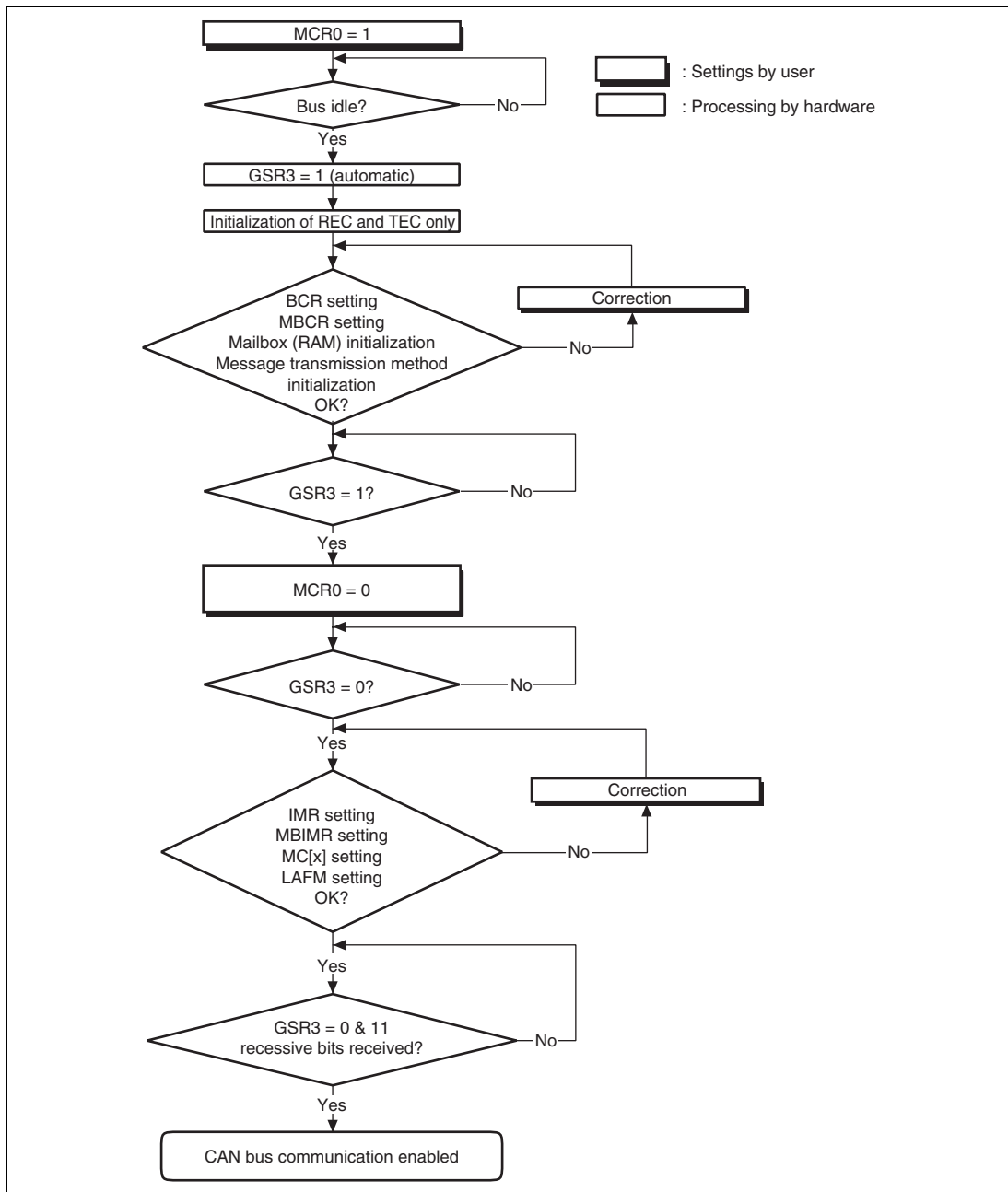
1. Clearing of IRR0 bit in the interrupt register (IRR)
2. Bit rate setting
3. Mailbox transmit/receive settings
4. Mailbox (RAM) initialization
5. Message transmission method setting

These initial settings must be made while the HCAN is in bit configuration mode. Configuration mode is a state in which the GSR3 bit in GSR is set to 1 by a reset. Configuration mode is exited by clearing the MCR0 bit in MCR to 0; when the MCR0 bit is cleared to 0, the HCAN automatically clears the GSR3 bit in GSR. There is a delay between clearing the MCR0 bit and clearing the GSR3 bit because the HCAN needs time to be internally reset. After the HCAN exits configuration mode, the power-up sequence begins, and communication with the CAN bus is possible as soon as 11 consecutive recessive bits have been detected.

**IRR0 Clearing:** The reset interrupt flag (IRR0) is always set after a power-on reset or recovery from software standby mode. Since an HCAN interrupt is initiated immediately when interrupts are enabled, IRR0 should be cleared.

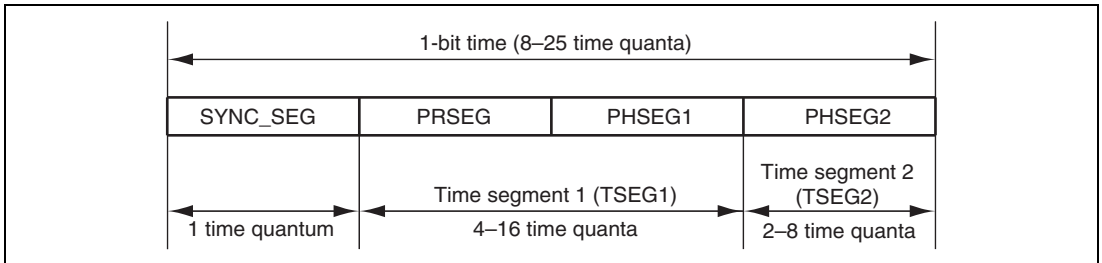


**Figure 14.6 Hardware Reset Flowchart**



**Figure 14.7 Software Reset Flowchart**

**Bit Rate and Bit Timing Settings:** The bit rate and bit timing settings are made in the bit configuration register (BCR). Settings should be made such that all CAN controllers connected to the CAN bus have the same baud rate and bit width. The 1-bit time consists of the total of the settable time quanta (tq).



**Figure 14.8 Detailed Description of One-Bit Time**

SYNC\_SEG is a segment for establishing the synchronization of nodes on the CAN bus. Normal bit edge transitions occur in this segment. PRSEG is a segment for compensating for the physical delay between networks. PHSEG1 is a buffer segment for correcting phase drift (positive). This segment is extended when synchronization (resynchronization) is established. PHSEG2 is a buffer segment for correcting phase drift (negative). This segment is shortened when synchronization (resynchronization) is established. Limits on the settable value (TSEG1, TSEG2, BRP, BSP, and SJW) are shown in table 14.2.

**Table 14.2 Limits for the Settable Value**

Name	Abbreviation	Min. Value	Max. Value
Time segment 1	TSEG1	B'0011* <sup>2</sup>	B'1111
Time segment 2	TSEG2	B'001* <sup>3</sup>	B'111
Baud rate prescaler	BRP	B'000000	B'111111
Bit sample point	BSP	B'0	B'1
Re-synchronization jump width	SJW* <sup>1</sup>	B'00	B'11

Notes: 1. SJW is stipulated in the CAN specifications:

$$3 \geq \text{SJW} \geq 0$$

2. The minimum value of TSEG2 is stipulated in the CAN specifications:

$$\text{TSEG2} \geq \text{SJW}$$

3. The minimum value of TSEG1 is stipulated in the CAN specifications:

$$\text{TSEG1} > \text{TSEG2}$$

Time quanta (tq) is an integer multiple of the number of system clocks, and is determined by the baud rate prescaler (BRP) as follows.  $f_{CLK}$  is the system clock frequency.

$$tq = 2 \times (\text{BPR setting} + 1) / f_{CLK}$$

The following formula is used to calculate the 1-bit time and bit rate.

$$\text{1-bit time} = tq \times (3 + \text{TSEG1} + \text{TSEG2})$$

$$\text{Bit rate} = 1 / \text{Bit time}$$

$$= f_{CLK} / \{2 \times (\text{BPR setting} + 1) \times (3 + \text{TSEG1} + \text{TSEG2})\}$$

Note:  $f_{CLK} = \phi$  (system clock)

A BCR value is used for BRP, TSEG1, and TSEG2.

Example: With a system clock of 24 MHz, a BRP setting of B'000000, a TSEG1 setting of B'0101, and a TSEG2 setting of B'100:

$$\text{Bit rate} = 24 / \{2 \times (0 + 1) \times (3 + 5 + 4)\} = 1 \text{ Mbps}$$

**Table 14.3 Setting Range for TSEG1 and TSEG2 in BCR**

		TSEG2 (BCR14–BCR12)						
		001	010	011	100	101	110	111
TSEG1 (BCR11–BCR8)	0011	No	Yes	No	No	No	No	No
	0100	Yes*	Yes	Yes	No	No	No	No
	0101	Yes*	Yes	Yes	Yes	No	No	No
	0110	Yes*	Yes	Yes	Yes	Yes	No	No
	0111	Yes*	Yes	Yes	Yes	Yes	Yes	No
	1000	Yes*	Yes	Yes	Yes	Yes	Yes	Yes
	1001	Yes*	Yes	Yes	Yes	Yes	Yes	Yes
	1010	Yes*	Yes	Yes	Yes	Yes	Yes	Yes
	1011	Yes*	Yes	Yes	Yes	Yes	Yes	Yes
	1100	Yes*	Yes	Yes	Yes	Yes	Yes	Yes
	1101	Yes*	Yes	Yes	Yes	Yes	Yes	Yes
	1110	Yes*	Yes	Yes	Yes	Yes	Yes	Yes
1111	Yes*	Yes	Yes	Yes	Yes	Yes	Yes	

Note: The time quantum values for TSEG1 and TSEG2 are determined by TSEG value + 1.

\* Settable unless BRP = B'000000.

**Mailbox Transmit/Receive Settings:** The HCAN has 16 mailboxes. Mailbox 0 is receive-only, while mailboxes 1 to 15 can be set for transmission or reception. The initial status of mailboxes 1 to 15 is for transmission. Mailbox transmit/receive settings are not initialized by a software reset.

Clearing a bit to 0 in the mailbox configuration register (MBCR) designates the corresponding mailbox for transmission use, whereas a setting of 1 in MBCR designates the corresponding mailbox for reception use. When setting mailboxes for reception, in order to improve message reception efficiency, high-priority messages should be set in low-to-high mailbox order.

**Mailbox (Message Control/Data) Initial Settings:** Message control/data are held in RAM, and so their initial values are undefined after power is supplied. Initial values must therefore be set in all the mailboxes (by writing 0s or 1s).

**Setting the Message Transmission Method:** The following two kinds of message transmission methods are available.

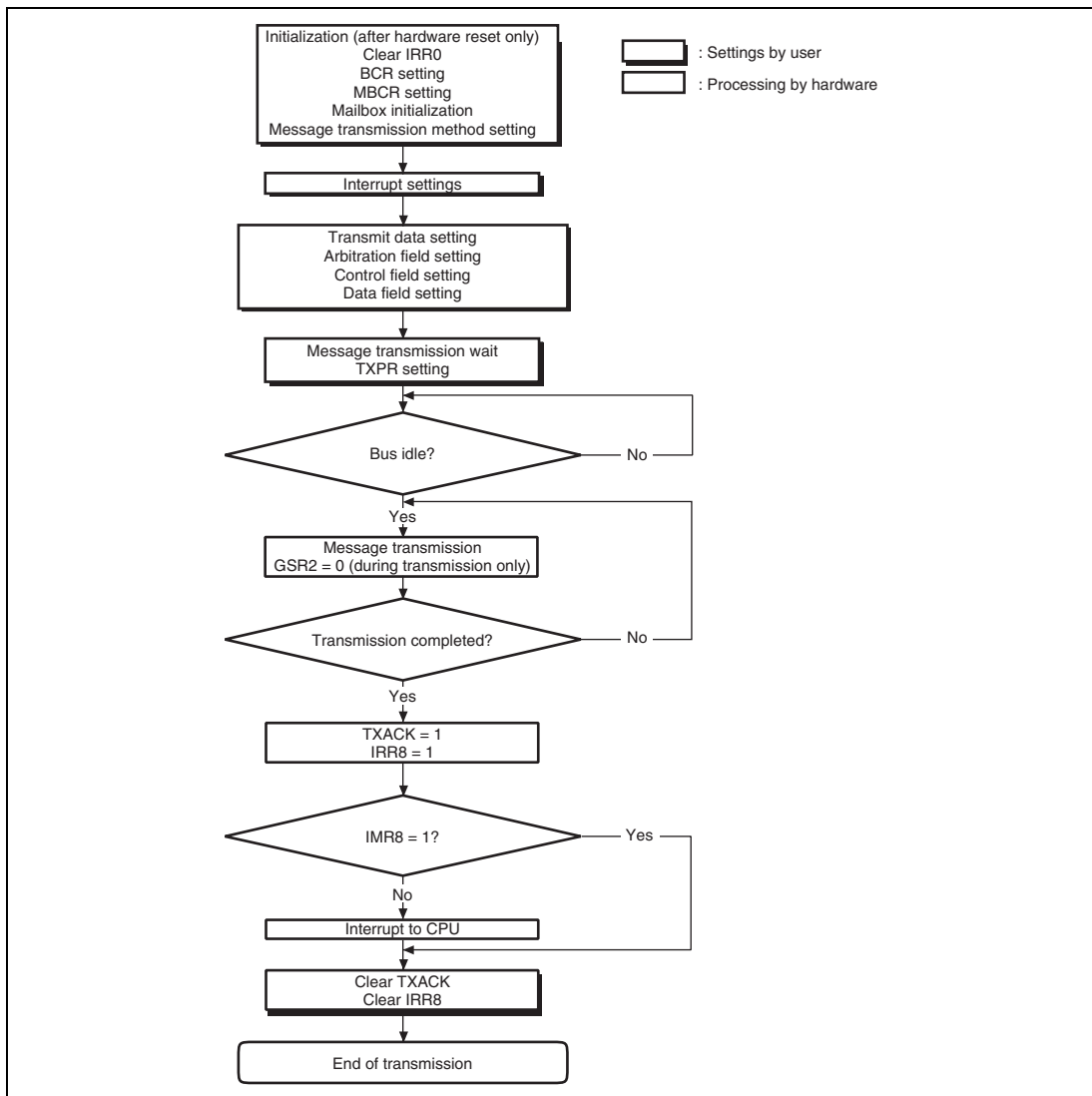
- Transmission order determined by message identifier priority
- Transmission order determined by mailbox number priority

Either of the message transmission methods can be selected with the message transmission method bit (MCR2) in the master control register (MCR): When messages are set to be transmitted according to the message identifier priority, if several messages are designated as waiting for transmission (TXPR = 1), the message with the highest priority in the message identifier is stored in the transmit buffer. CAN bus arbitration is then carried out for the message stored in the transmit buffer, and the message is transmitted when the transmission right is acquired. When the TXPR bit is set, the highest-priority message is found and stored in the transmit buffer.

When messages are set to be transmitted according to the mailbox number priority, if several messages are designated as waiting for transmission (TXPR = 1), messages are stored in the transmit buffer in low-to-high mailbox order. CAN bus arbitration is then carried out for the message stored in the transmit buffer, and the message is transmitted when the transmission right is acquired.

### 14.4.3 Message Transmission

Messages are transmitted using mailboxes 1 to 15. The transmission procedure after initial settings is described below, and a transmission flowchart is shown in figure 14.9.



**Figure 14.9 Transmission Flowchart**

**CPU interrupt source settings:** The CPU interrupt source is set by the interrupt mask register (IMR) and mailbox interrupt mask register (MBIMR). Transmission acknowledge and transmission abort acknowledge interrupts can be generated for individual mailboxes in the mailbox interrupt mask register (MBIMR).

**Arbitration field setting:** The arbitration field is set by the message control registers MCx[5] to MCx[8] in a transmit mailbox. For a standard format, an 11-bit identifier (ID-28 to ID-18) and the RTR bit are set, and the IDE bit is cleared to 0. For an extended format, a 29-bit identifier (ID-28 to ID-0) and the RTR bit are set, and the IDE bit is set to 1.

**Control field setting:** In the control field, the byte length of the data to be transmitted is set within the range of zero to eight bytes. The register to be set is the message control register MCx[1] in a transmit mailbox.

**Data field setting:** In the data field, the data to be transmitted is set within the range zero to eight. The registers to be set are the message data registers MDx[1] to MDx[8]. The byte length of the data to be transmitted is determined by the data length code in the control field. Even if data exceeding the value set in the control field is set in the data field, up to the byte length set in the control field will actually be transmitted.

**Message transmission:** If the corresponding mailbox transmit wait bit (TXPR1 to TXPR15) in the transmit wait register (TXPR) is set to 1 after message control and message data registers have been set, the message enters transmit wait state. If the message is transmitted error-free, the corresponding acknowledge bit (TXACK1 to TXACK15) in the transmit acknowledge register (TXACK) is set to 1, and the corresponding transmit wait bit (TXPR1 to TXPR15) in the transmit wait register (TXPR) is automatically cleared to 0. Also, if the corresponding bit (MBIMR1 to MBIMR15) in the mailbox interrupt mask register (MBIMR) and the mailbox empty interrupt bit (IRR8) in the interrupt mask register (IMR) are both simultaneously set to enable interrupts, interrupts may be sent to the CPU.

If transmission of a transmit message is aborted in the following cases, the message is retransmitted automatically:

- CAN bus arbitration failure (failure to acquire the bus)
- Error during transmission (bit error, stuff error, CRC error, frame error, or ACK error)

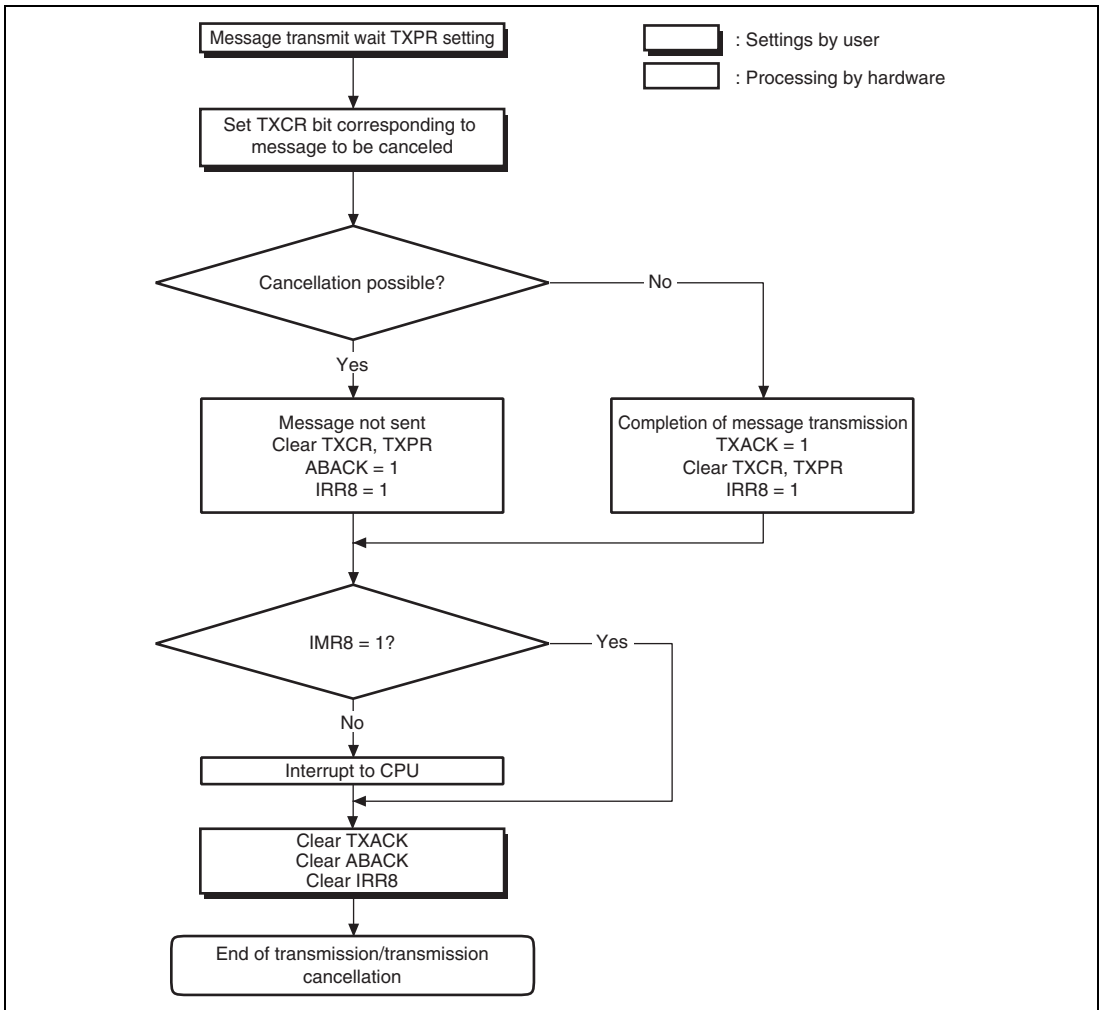


**Message transmission cancellation:** Transmission cancellation can be specified for a message stored in a mailbox as a transmit wait message. A transmit wait message is canceled by setting the bit for the corresponding mailbox (TXCR1 to TXCR15) to 1 in the transmit cancel register (TXCR). Clearing the transmit wait register (TXPR) does not cancel transmission. When cancellation is executed, the transmit wait register (TXPR) is automatically reset, and the corresponding bit is set to 1 in the abort acknowledge register (ABACK), and then an interrupt to the CPU can be requested. Also, if the corresponding bit (MBIMR1-MBIMR15) in the mailbox interrupt mask register (MBIMR) and the mailbox empty interrupt bit (IRR8) in the interrupt mask register (IMR) are both simultaneously set to enable interrupts, interrupts may be sent to the CPU.

However, a transmit wait message cannot be canceled at the following times:

- During internal arbitration or CAN bus arbitration
- During data frame or remote frame transmission

Figure 14.10 shows a flowchart for transmit message cancellation.



**Figure 14.10 Transmit Message Cancellation Flowchart**

### 14.4.4 Message Reception

The reception procedure after initial settings is described below. A reception flowchart is shown in Figure 14.11.

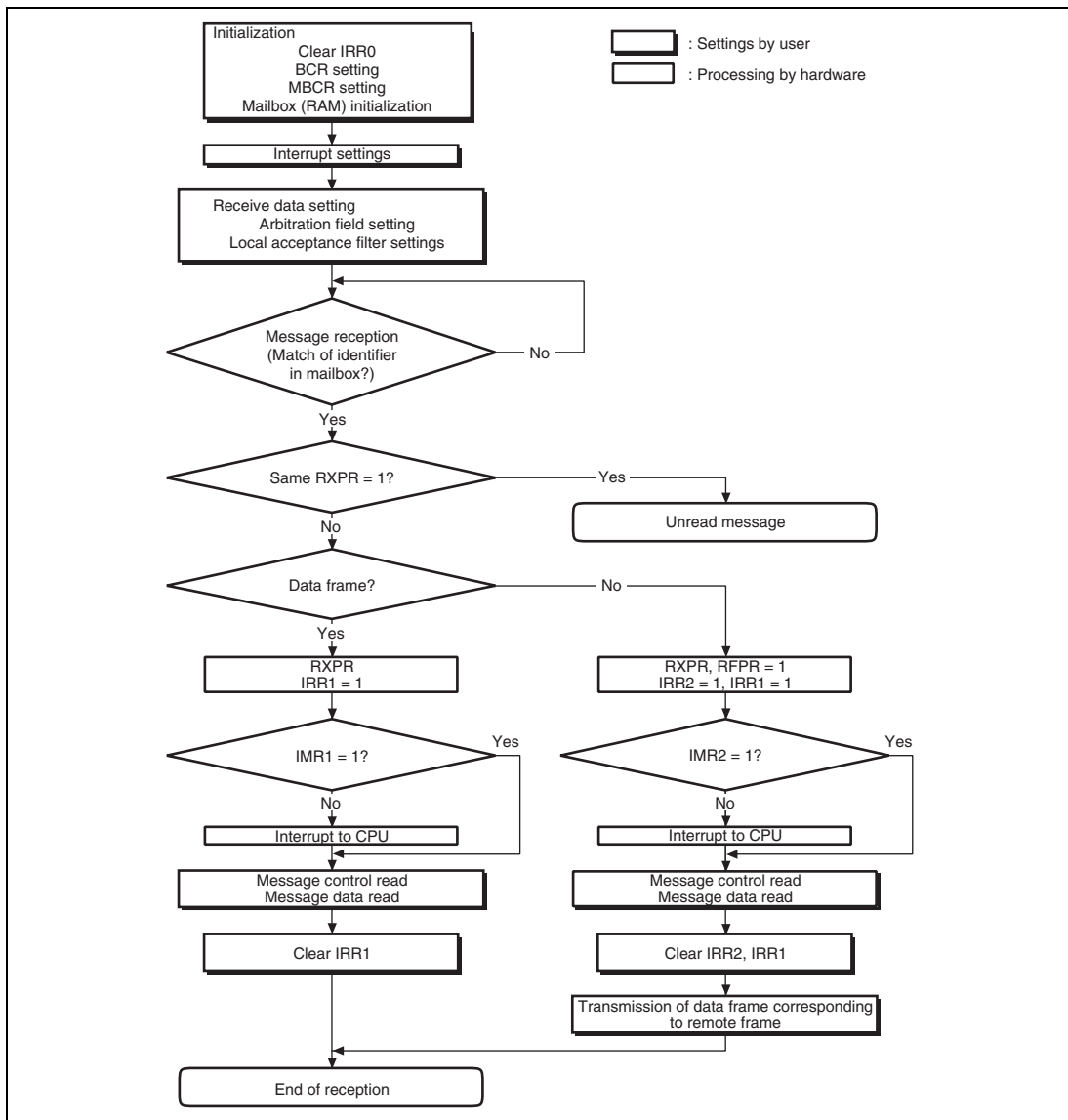


Figure 14.11 Reception Flowchart

**CPU interrupt source settings:** CPU interrupt source settings are made in the interrupt mask register (IMR) and mailbox interrupt register (MBIMR). The message to be received is also specified. Data frame and remote frame receive wait interrupt requests can be generated for individual mailboxes in the MBIMR.

**Arbitration field setting:** To receive a message, the message identifier must be set in advance in the message control registers (MCx[1] to MCx[8]) for the receiving mailbox. When a message is received, all the bits in the receive message identifier are compared with those in each message control register identifier, and if a complete match is found, the message is stored in the matching mailbox. Mailbox 0 has a local acceptance filter mask (LAFM) that allows Don't Care settings. The LAFM setting can be made only for mailbox 0. By setting the Don't Care for all the bits in the receive message identifier, messages of multiple identifiers can be received.

Examples:

- When the identifier of mailbox 1 is 010\_1010\_1010 (standard format), only one kind of message identifier can be received by mailbox 1:  
Identifier 1:        010\_1010\_1010
- When the identifier of mailbox 0 is 010\_1010\_1010 (standard format) and the LAFM setting is 000\_0000\_0011 (0: Care, 1: Don't Care), a total of four kinds of message identifiers can be received by mailbox 0:  
Identifier 1:        010\_1010\_1000  
Identifier 2:        010\_1010\_1001  
Identifier 3:        010\_1010\_1010  
Identifier 4:        010\_1010\_1011

**Message reception:** When a message is received, a CRC check is performed automatically. If the result of the CRC check is normal, ACK is transmitted in the ACK field irrespective of whether the message can be received or not.

- Data frame reception

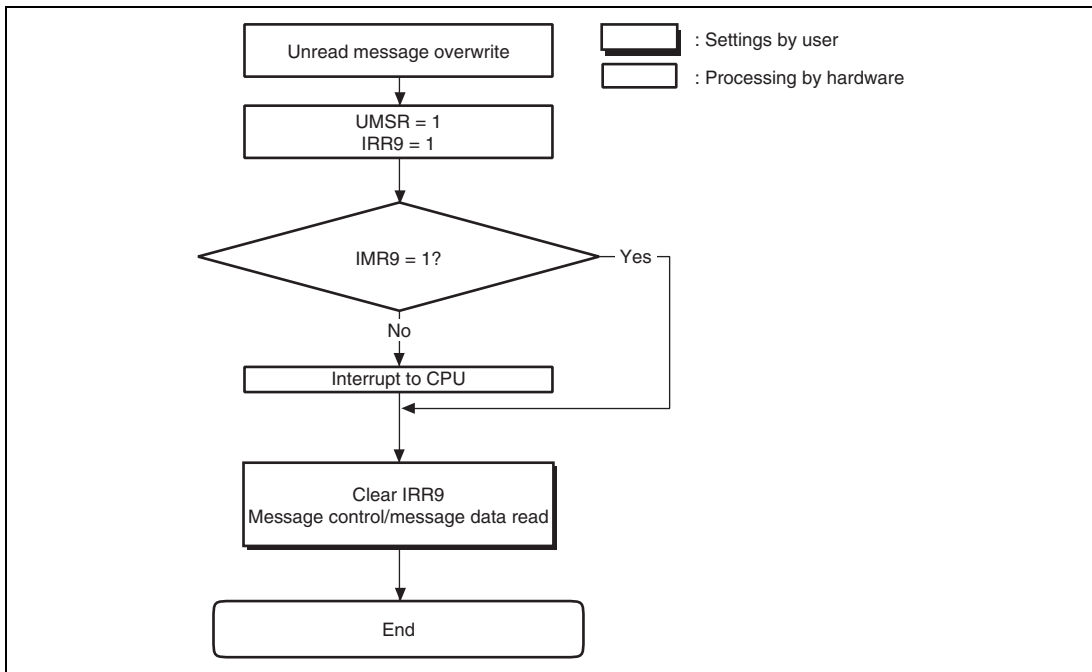
If the received message is confirmed to be error-free by the CRC check, the identifier in the mailbox (and also LAFM in the case of mailbox 0 only) and the identifier of the receive message are compared. If a complete match is found, the message is stored in the matching mailbox. The message identifier comparison is carried out on each mailbox in turn, starting with mailbox 0 and ending with mailbox 15. If a complete match is found, the comparison ends at that point, the message is stored in the matching mailbox, and the corresponding receive complete bit (RXPR0 to RXPR15) in the receive complete register (RXPR) is set. However, if the identifier matches that of mailbox 0 LAFM, the mailbox comparison sequence does not end at that point, but continues from mailbox 1. Therefore, the message for mailbox 0 can also be received by another mailbox. Note that the same message cannot be stored in two or more mailbox of the mailboxes 1 to 15. On receiving a message, a CPU interrupt request may be generated according to the settings of the mailbox interrupt mask register (MBIMR) and interrupt mask register (IMR).

- Remote frame reception

A mailbox can store two kinds of messages: data frames and remote frames. A remote frame differs from a data frame in the value of the remote transmission request bit (RTR) in the message control register and its 0-byte data field. The data length to be returned in a data frame must be stored in the data length code (DLC) in the message control.

When a remote frame (RTR = recessive) is received, the corresponding bit in the remote request wait register (RFPR) is set. Interrupts can be sent to the CPU according to the settings of the corresponding bit (MBIMR0 to MBIMR15) in the mailbox interrupt mask register (MBIMR) and the remote frame request interrupt mask (IRR2) in the interrupt mask register (IMR).

**Unread message overwrite:** If the receive message identifier matches the mailbox identifier, the receive message is stored in the mailbox regardless of whether the mailbox contains an unread message or not. If a message overwrite occurs, the corresponding bit (UMSR0 to UMSR15) in the unread message register (UMSR) is set. In overwriting an unread message, the unread message register (UMSR) is set when a new message is received before the corresponding bit in the receive complete register (RXPR) has been cleared. If the unread interrupt flag (IRR9) in the interrupt mask register (IMR) is set to enable interrupts at this time, an interrupt can be sent to the CPU. Figure 14.12 shows a flowchart for unread message overwriting.



**Figure 14.12 Unread Message Overwrite Flowchart**

#### 14.4.5 HCAN Sleep Mode

The HCAN is provided with an HCAN sleep mode that places the HCAN module in the sleep state in order to reduce current consumption. Figure 14.13 shows a flowchart of the HCAN sleep mode.

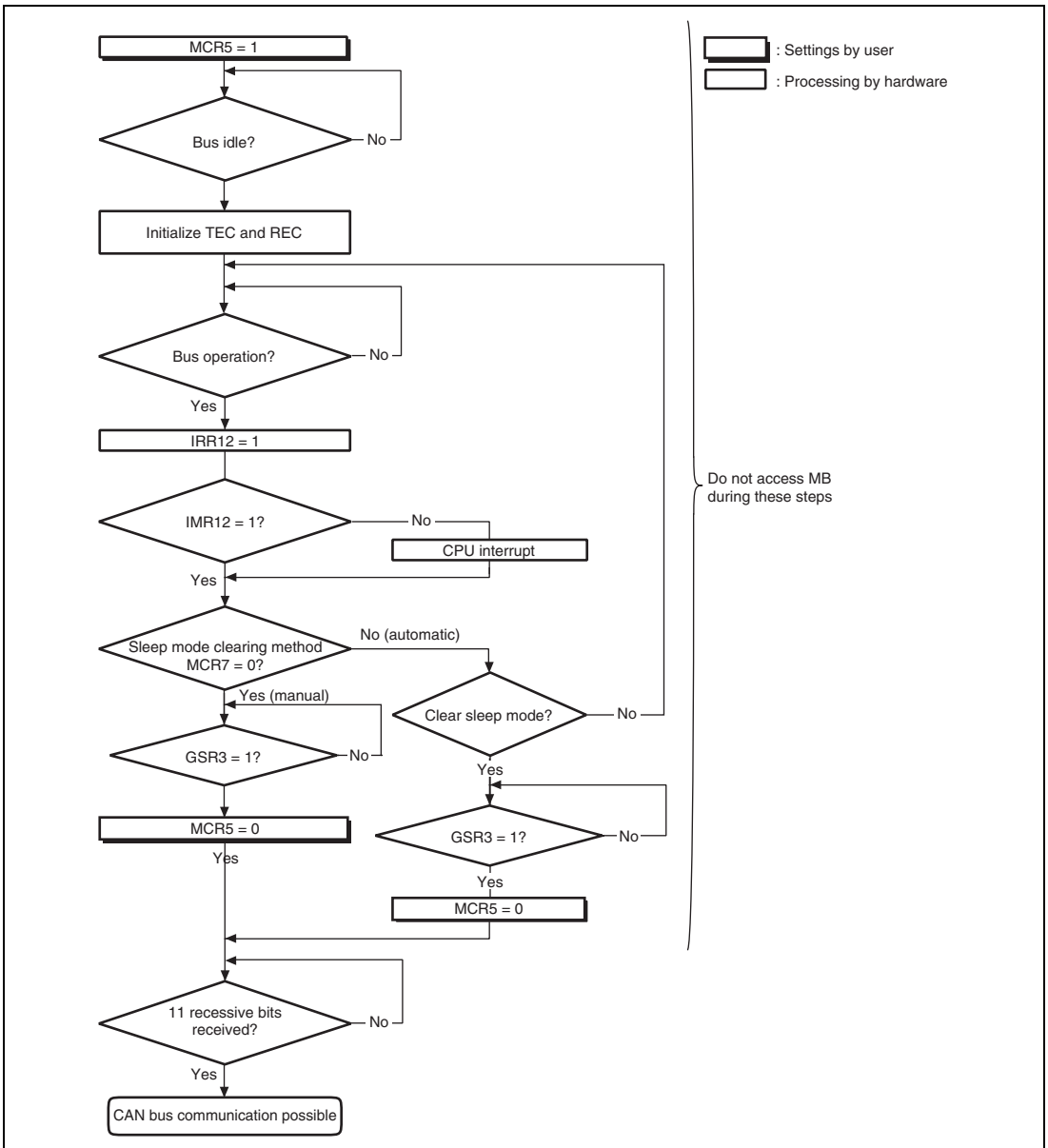


Figure 14.13 HCAN Sleep Mode Flowchart

HCAN sleep mode is entered by setting the HCAN sleep mode bit (MCR5) to 1 in the master control register (MCR). If the CAN bus is operating, the transition to HCAN sleep mode is delayed until the bus becomes idle.

Either of the following methods of clearing HCAN sleep mode can be selected:

- Clearing by software
- Clearing by CAN bus operation

In order to re-enter CAN bus communication enabled state, eleven recessive bits must be received after HCAN sleep mode was cleared.

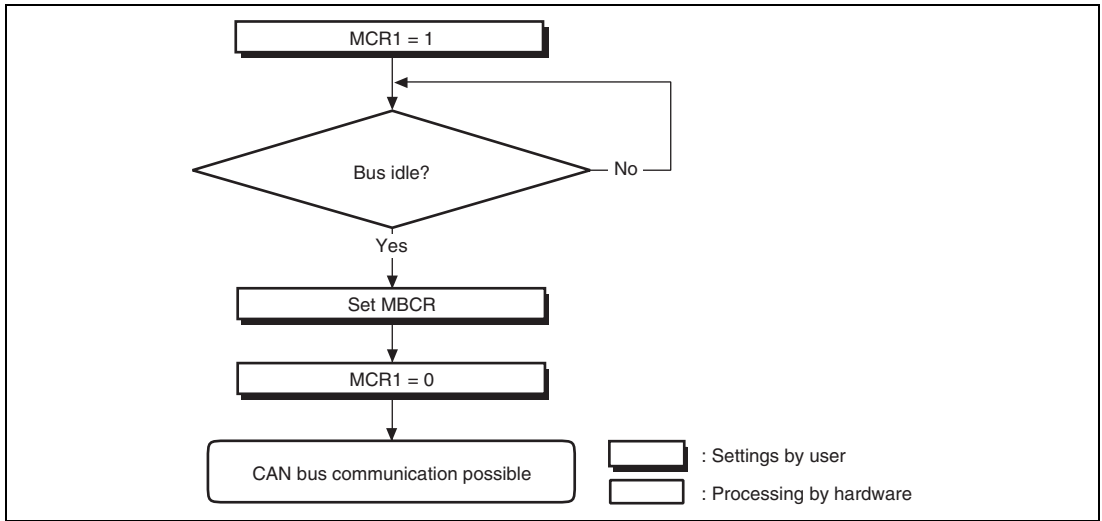
**Clearing by software:** HCAN sleep mode is cleared by writing a 0 to MCR5 from the CPU.

**Clearing by CAN bus operation:** The cancellation method is selected by the MCR7 bit setting in MCR. Clearing by CAN bus operation occurs automatically when the CAN bus performs an operation and this change is detected. In this case, the first message is not stored in a mailbox; messages will be received normally from the second message onward. When a change is detected on the CAN bus in HCAN sleep mode, the bus operation interrupt flag (IRR12) is set in the interrupt register (IRR). If the bus interrupt mask (IMR12) in the interrupt mask register (IMR) is set to enable interrupts at this time, an interrupt can be sent to the CPU.



### 14.4.6 HCAN Halt Mode

The HCAN halt mode is provided to enable mailbox settings to be changed without performing an HCAN hardware or software reset. Figure 14.14 shows a flowchart of the HCAN halt mode.



**Figure 14.14 HCAN Halt Mode Flowchart**

HCAN halt mode is entered by setting the halt request bit (MCR1) to 1 in the master control register (MCR). If the CAN bus is operating, the transition to HCAN halt mode is delayed until the bus becomes idle.

HCAN halt mode is cleared by clearing MCR1 to 0.

## 14.5 Interrupt Sources

Table 14.4 lists the HCAN interrupt sources. These sources can be masked except the reset processing interrupt by power-on reset (IRR0). Masking is implemented using the mailbox interrupt mask register (MBIMR), interrupt mask register (IMR), and IRQ enable register (IER). For details on the interrupt vector of each interrupt source, see section 5, Interrupt Controller.

**Table 14.4 HCAN Interrupt Sources (HCAN\_0, HCAN\_1)**

Name	Description	Interrupt Flag	DTC Activation
ERS0/OVR0	Error passive interrupt ( $TEC \geq 128$ or $REC \geq 128$ )	IRR5	Not possible
	Bus off interrupt ( $TEC \geq 256$ )	IRR6	
	Reset processing interrupt by power-on reset	IRR0	
	Remote frame reception	IRR2	
	Error warning interrupt ( $TEC \geq 96$ )	IRR3	
	Error warning interrupt ( $REC \geq 96$ )	IRR4	
	Overload frame transmission interrupt	IRR7	
	Unread message overwrite	IRR9	
	Detection of CAN bus operation in HCAN sleep mode	IRR12	
RM0	Mailbox 0 message reception	IRR1	Possible
RM1	Mailbox 1-15 message reception	IRR1	Not possible
SLE0	Message transmission/cancellation	IRR8	Not possible
IRQ2	Setting the RxDIE bit in HCANMON to 1 generates an IRQ2 interrupt caused by an HRxD input signal. (While HRxD1 is selected in PK7)	IRQ2F	Possible

## 14.6 DTC Interface

The DTC can be activated by the reception of a message in HCAN mailbox 0. When the DTC activation is set and DTC transfer ends, the RXPR0 and RFPR0 flags are automatically cleared. An interrupt request is not sent to the CPU by a reception interrupt from the HCAN. Figure 14.15 shows a DTC transfer flowchart.

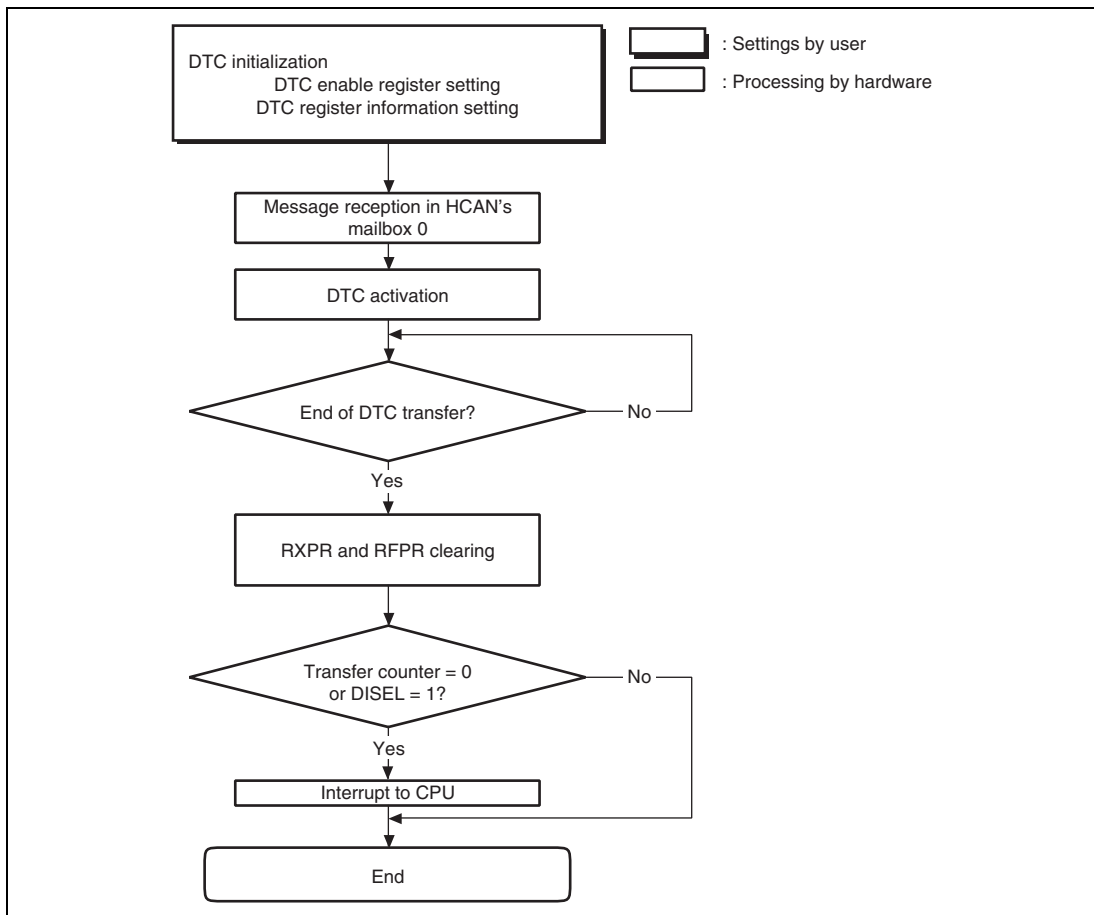
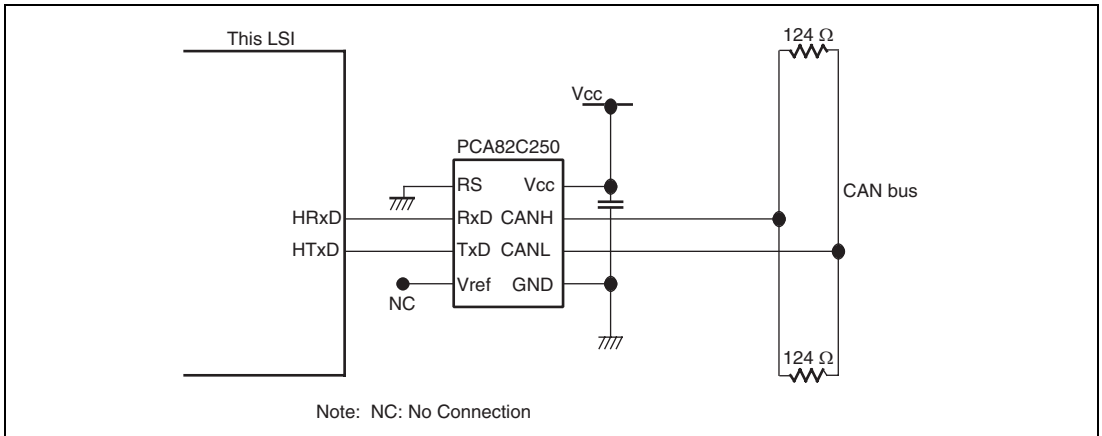


Figure 14.15 DTC Transfer Flowchart

## 14.7 CAN Bus Interface

A bus transceiver IC is necessary to connect this LSI to a CAN bus. A Philips PCA82C250 transceiver IC is recommended. If any other product is used, confirm that it is compatible with the PCA82C250. Figure 14.16 shows a sample connection diagram.



**Figure 14.16 High-Speed Interface Using PCA82C250**

## 14.8 Usage Notes

### 14.8.1 Module Stop Mode Setting

HCAN operation can be disabled or enabled using the module stop control register. The HCAN operation is set to be halted initially. Register access is enabled by clearing module stop mode. For details, see section 21, Power-Down Modes.

### 14.8.2 Reset

The HCAN is reset by a power-on reset, in hardware standby mode, in software standby mode, and in module stop mode. All the registers are initialized by a reset, however mailboxes (message control (MCx[x])/message data (MDx[x])) are not initialized. Mailboxes (message control (MCx[x])/message data (MDx[x])) are initialized after power-on and at this time, their initial values are undefined. Therefore, always initialize mailboxes after a power-on reset, a transition to hardware standby mode, software standby mode, module stop mode, or watch mode. After a power-on reset, recovery from software standby mode, or cancellation of module stop mode, the reset interrupt flag (IRR0) is automatically set. Since this bit cannot be masked in the interrupt mask register (IMR), an HCAN interrupt will be initiated immediately after an HCAN interrupt is enabled by the interrupt controller without clearing the flag. IRR0 should therefore be cleared at initialization.

### 14.8.3 HCAN Sleep Mode

The bus operation interrupt flag (IRR12) in the interrupt register (IRR) is set by CAN bus operation in HCAN sleep mode. Therefore, this flag is not used by the HCAN to indicate sleep mode release. Note that the reset status bit (GSR3) in the general status register (GSR) is set even in sleep mode.

### 14.8.4 Interrupts

When the mailbox interrupt mask register (MBIMR) is set, the interrupt registers (IRR8, 2, 1) are not set by reception completion, transmission completion, or transmission cancellation of the set mailboxes.

### **14.8.5 Error Counters**

In the case of error active and error passive, REC and TEC perform count up and down normally. In the bus-off state, 11-bit recessive sequences are counted (REC + 1) using REC. When REC reaches 96 during the count, IRR4 and GSR1 are set.

### **14.8.6 Register Access**

Byte or word access can be performed for all HCAN registers. Longword access should be avoided.

### **14.8.7 HCAN Medium-Speed Mode**

In medium-speed mode, the HCAN registers cannot be read/written.

### **14.8.8 Register Hold in Standby Modes**

All HCAN registers are initialized in hardware standby mode and software standby mode.

### **14.8.9 Use on Bit Manipulation Instructions**

Since the HCAN status flag is cleared by writing 1, do not use the bit manipulation instructions to clear the flag. To clear the flag, use the MOV instructions and write 1 only to the bit to be cleared.

### 14.8.10 HCAN TXCR Operation

1. When the transmit wait cancel register (TXCR) is used to cancel transmission of the message in a mailbox waiting for transmission, the corresponding bit in TXCR and the transmit wait register (TXPR) may not be cleared even after the transmission is canceled. This occurs when the following conditions are all satisfied.

[Conditions]

- The HRxD pin is tied to "1" because of a CAN bus error, etc.
- There is one or more mailboxes waiting for transmission or transmitting.
- Ongoing message transmission from a mailbox is canceled by TXCR.

If this occurs, the transmission is canceled but TXPR and TXCR continue to indicate a wrong status telling that a message is being cancelled. As a result, transmission cannot be restarted even after the HRxD pin is released from the tied state and the CAN bus has recovered. If there are two or more messages for transmission, a message which is not being transmitted is canceled and a message being transmitted retains its state.

To avoid this, take either of the following countermeasures.

[Countermeasures]

- Do not cancel transmission by TXCR. Transmission will be completed after the CAN bus has recovered, then TXPR is cleared and the HCAN operates normally.
  - To cancel transmission, write 1 to the corresponding bit in TXCR repeatedly until the bit becomes 0. TXPR and TXCR are cleared, and the HCAN operates normally.
2. When the bus-off state is entered while any mailbox is waiting for transmission with TXPR set, transmission cannot be canceled even if TXCR is set because the internal state machine does not operate during the bus-off state. Because of this, on recovery from the bus-off state, one message will be transmitted or the message will be canceled with a transmission error. For message clearing on recovery from the bus-off state, take the following countermeasure.

[Countermeasure]

- Reset the HCAN during the bus-off period to clear the messages in the mailboxes waiting for transmission. To reset the HCAN, set the module stop bit (MSTPC3 in MSTPCRC) to 1 and then clear it. In this case, the HCAN is entirely reset. Therefore the initial settings must be made again.

### 14.8.11 HCAN Transmit Procedure

When transmission is set while the bus is in the idle state, if the next transmission is set or the set transmission is canceled under the following conditions within 50  $\mu$ s, the transmit message ID of being set may be damaged.

- When the second transmission has the message whose priority is higher than the first one
- When the message of the highest priority is canceled in the first transmission

Make whichever setting shown below to avoid the message IDs from being damaged.

- Set transmission in one TXPR. After transmission of all transmit messages is completed, set transmission again (mass transmission setting). The interval between transmission settings should be 50  $\mu$ s or longer.
- Make the transmission setting according to the priority of transmit messages.
- Set the interval to be 50  $\mu$ s or longer between TXPR and another TXPR or between TXPR and TXCR.

**Table 14.5 Interval Limitation between TXPR and TXPR or between TXPR and TXCR**

<b>Baud Rate (bps)</b>	<b>Set Interval (<math>\mu</math>s)</b>
1 M	50
500 k	50
250 k	50

### 14.8.12 Note on Releasing the HCAN Reset or HCAN Sleep

Before releasing the HCAN reset or HCAN sleep ( $MCR0 = 0$  or  $MCR5 = 0$ ), confirm that the GSR3 bit (the reset status bit) is set to 1.

### 14.8.13 Note on Accessing Mailbox during the HCAN Sleep

Do not access the mailbox during the HCAN sleep. If accessed, the CPU might halt. Accessing registers during the HCAN sleep does not cause the CPU halt, nor does accessing the mailbox in other than the HCAN sleep mode.

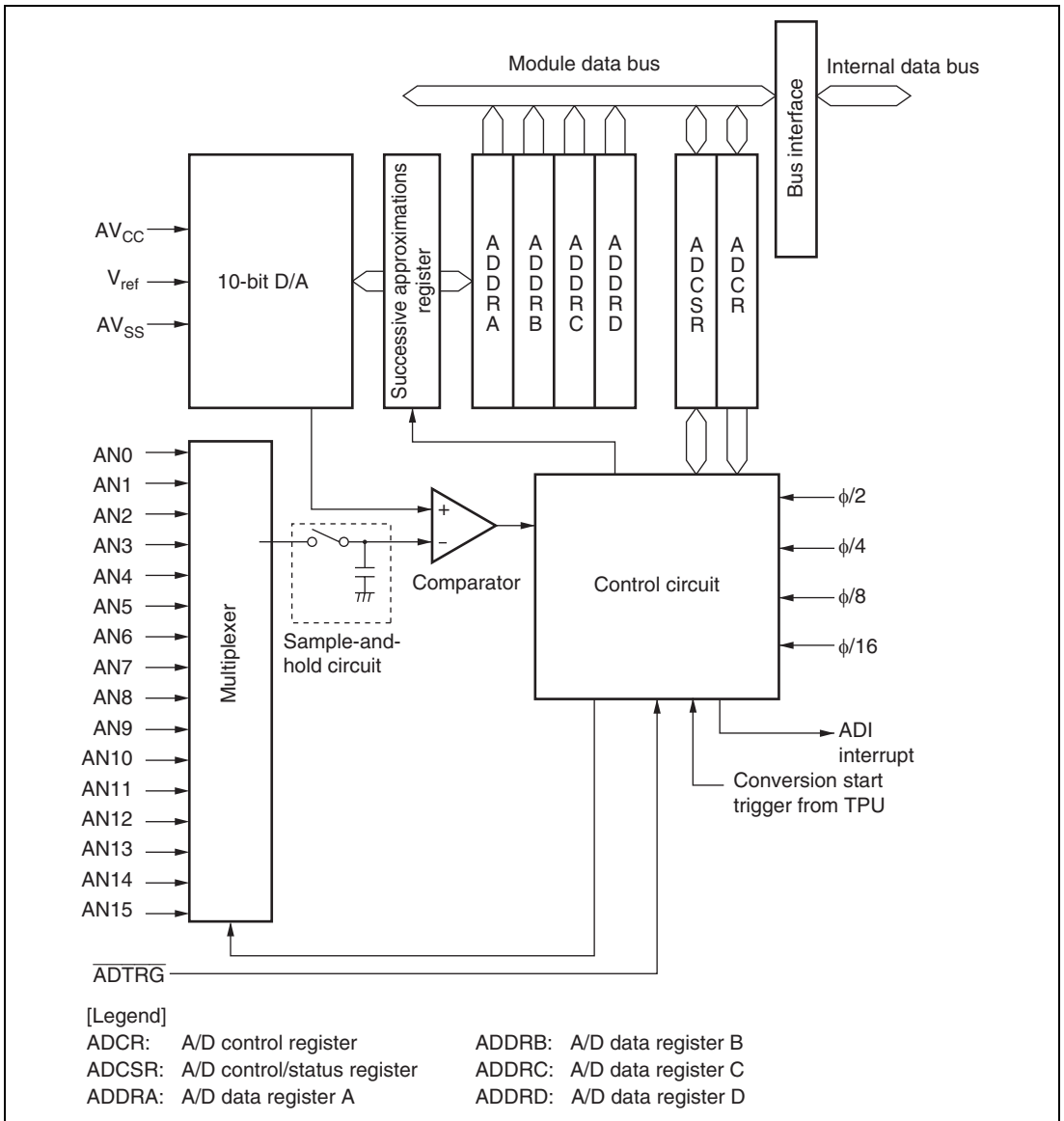


## Section 15 A/D Converter

This LSI includes a successive approximation type 10-bit A/D converter that allows up to sixteen analog input channels to be selected. The block diagram of the A/D converter is shown in figure 15.1.

### 15.1 Features

- 10-bit resolution
- Sixteen input channels
- Conversion time: 13.3  $\mu$ s per channel (at 20 MHz operation)
- Two operating modes
  - Single mode: Single-channel A/D conversion
  - Scan mode: Continuous A/D conversion on 1 to 4 channels
- Four data registers
  - Conversion results are held in a 16-bit data register for each channel
- Sample and hold function
- Three conversion start methods
  - Software
  - 16-bit timer pulse unit (TPU) conversion start trigger
  - External trigger signal
- Interrupt request
  - An A/D conversion end interrupt request (ADI) can be generated
- Module stop mode can be set



**Figure 15.1 Block Diagram of A/D Converter**

## 15.2 Input/Output Pins

Table 15.1 summarizes the input pins used by the A/D converter. 16 analog input pins are divided into four groups, each of which includes four channels; analog input pins 0 to 3 (AN0 to AN3) comprising group 0, analog input pins 4 to 7 (AN4 to AN7) comprising group 1, analog input pins 8 to 11 (AN8 to AN11) comprising group 2, and analog input pins 12 to 15 (AN12 to AN15) comprising group 3. The AV<sub>cc</sub> and AV<sub>ss</sub> pins are the power supply pins for the A/D converter analog section. The V<sub>ref</sub> pin is the A/D conversion reference voltage pin.

**Table 15.1 Pin Configuration**

Pin Name	Symbol	I/O	Function
Analog power supply pin	AV <sub>cc</sub>	Input	Analog section power supply and reference voltage
Analog ground pin	AV <sub>ss</sub>	Input	Analog section ground and reference voltage
Reference voltage pin	V <sub>ref</sub>	Input	Reference voltage of A/D conversion
Analog input pin 0	AN0	Input	Group 0 analog input pins
Analog input pin 1	AN1	Input	
Analog input pin 2	AN2	Input	
Analog input pin 3	AN3	Input	
Analog input pin 4	AN4	Input	Group 1 analog input pins
Analog input pin 5	AN5	Input	
Analog input pin 6	AN6	Input	
Analog input pin 7	AN7	Input	
Analog input pin 8	AN8	Input	Group 2 analog input pins
Analog input pin 9	AN9	Input	
Analog input pin 10	AN10	Input	
Analog input pin 11	AN11	Input	
Analog input pin 12	AN12	Input	Group 3 analog input pins
Analog input pin 13	AN13	Input	
Analog input pin 14	AN14	Input	
Analog input pin 15	AN15	Input	
A/D external trigger input pin	ADTRG	Input	External trigger input pin for starting A/D conversion

## 15.3 Register Description

The A/D converter has the following registers. Module stop mode for the A/D converter is specified with the MSTPA1 bit in the module stop control register (MSTPCRA). For details on the module stop control register A (MSTPCRA), refer to section 21.1.3, Module Stop Control Register A to D (MSTPCRA to MSTPCRD).

- A/D data register A (ADDRA)
- A/D data register B (ADDRB)
- A/D data register C (ADDRC)
- A/D data register D (ADDRD)
- A/D control/status register (ADCSR)
- A/D control register (ADCR)

### 15.3.1 A/D Data Registers A to D (ADDRA to ADDRD)

There are four 16-bit read-only ADDR registers ADDRA to ADDRD, used to store the results of A/D conversion. The ADDR registers to store conversion results for each channel are shown in table 15.2.

The converted 10-bit data is stored in bits 6 to 15 in ADDR. The lower 6 bits are always read as 0.

The data bus between the CPU and the A/D converter is 8 bits wide. The upper byte can be read directly from the CPU, however the lower byte should be read via a temporary register. The temporary register contents are transferred from the ADDR when the upper byte data is read. When reading the ADDR, always read the upper byte first, and then read the lower byte, or read in word unit. Otherwise, the read contents are not guaranteed.

**Table 15.2 Analog Input Channels and Corresponding ADDR Registers**

Analog Input Channel				A/D Data Register to Store the A/D Conversion Results
CH3 = 0		CH3 = 1		
Group 0 (CH2 = 0)	Group 1 (CH2 = 1)	Group 2 (CH2 = 0)	Group 3 (CH2 = 1)	
AN0	AN4	AN8	AN12	ADDRA
AN1	AN5	AN9	AN13	ADDRB
AN2	AN6	AN10	AN14	ADDRC
AN3	AN7	AN11	AN15	ADDRD

### 15.3.2 A/D Control/Status Register (ADCSR)

ADCSR controls A/D conversion operations.

Bit	Bit Name	Initial Value	R/W	Description
7	ADF	0	R/(W)	<p>A/D End Flag</p> <p>A status flag that indicates the end of A/D conversion.</p> <p>[Setting conditions]</p> <ul style="list-style-type: none"> <li>When A/D conversion ends</li> <li>When A/D conversion ends on all specified channels</li> </ul> <p>[Clearing conditions]</p> <ul style="list-style-type: none"> <li>When 0 is written after reading ADF = 1</li> <li>When the DTC is activated by an ADI interrupt and ADDR is read</li> </ul>
6	ADIE	0	R/W	<p>A/D Interrupt Enable</p> <p>A/D conversion end interrupt (ADI) is enabled when this bit is set to 1.</p>
5	ADST	0	R/W	<p>A/D Start</p> <p>Clearing this bit to 0 stops A/D conversion, and the A/D converter enters the wait state.</p> <p>Setting this bit to 1 starts A/D conversion. In single mode, this bit is automatically cleared to 0 when conversion on the specified channel is complete. In scan mode, conversion continues sequentially on the specified channels until this bit is cleared to 0 by software, a reset, or a transition to software standby mode, hardware standby mode or module stop mode.</p>
4	SCAN	0	R/W	<p>Scan Mode</p> <p>Selects the A/D conversion operating mode.</p> <p>0: Single mode</p> <p>1: Scan mode</p>

Bit	Bit Name	Initial Value	R/W	Description
3	CH3	0	R/W	Channel Select 0 to 3
2	CH2	0	R/W	Select analog input channels.
1	CH1	0	R/W	When SCAN = 0                      When SCAN = 1
0	CH0	0	R/W	0000: AN0                      0000: AN0
				0001: AN1                      0001: AN0, AN1
				0010: AN2                      0010: AN0 to AN2
				0011: AN3                      0011: AN0 to AN3
				0100: AN4                      0100: AN4
				0101: AN5                      0101: AN4, AN5
				0110: AN6                      0110: AN4 to AN6
				0111: AN7                      0111: AN4 to AN7
				1000: AN8                      1000: AN8
				1001: AN9                      1001: AN8, AN9
				1010: AN10                      1010: AN8 to AN10
				1011: AN11                      1011: AN8 to AN11
				1100: AN12                      1100: AN12
				1101: AN13                      1101: AN12, AN13
				1110: AN14                      1110: AN12 to AN14
				1111: AN15                      1111: AN12 to AN15

### 15.3.3 A/D Control Register (ADCR)

The ADCR enables A/D conversion started by an external trigger signal.

Bit	Bit Name	Initial Value	R/W	Description
7	TRGS1	0	R/W	Timer Trigger Select 0 and 1
6	TRGS0	0	R/W	Enable the start of A/D conversion by a trigger signal. Bits TRGS0 and TRGS1 should be set while A/D conversion is stopped (ADST = 0). 00: A/D conversion is started by software 01: A/D conversion is started by TPU conversion start trigger 10: Setting prohibited 11: A/D conversion is started by the $\overline{\text{ADTRG}}$ pin
5, 4	—	All 1	—	Reserved These bits are always read as 1.
3	CKS1	0	R/W	Clock Select 0 and 1
2	CKS0	0	R/W	Specify the A/D conversion time. The conversion time should be changed only when ADST = 0. Specify a value within the range shown in table 23.7 in section 23, Electrical Characteristics. 00: Conversion time = 530 states (max.) 01: Conversion time = 266 states (max.) 10: Conversion time = 134 states (max.) 11: Conversion time = 68 states (max.)
1, 0	—	All 1	—	Reserved These bits are always read as 1.

## 15.4 Operation

The A/D converter operates by successive approximation with 10-bit resolution. It has two operating modes; single mode and scan mode. When changing the operating mode or analog input channel, clear the ADST bit in ADCSR to 0 first in order to prevent incorrect operation. The ADST bit can be set at the same time as the operating mode or analog input channel is changed.

### 15.4.1 Single Mode

In single mode, A/D conversion is performed only once on the specified single channel as follows:

1. A/D conversion is started when the ADST bit is set to 1 by software or external trigger input.
2. When A/D conversion is completed, the result is transferred to the A/D data register corresponding to the channel.
3. On completion of conversion, the ADF bit in ADCSR is set to 1. If the ADIE bit is set to 1 at this time, an ADI interrupt request is generated.
4. The ADST bit retains 1 during A/D conversion. When A/D conversion ends, the ADST bit is automatically cleared to 0 and the A/D converter enters the wait state. If the ADST bit is cleared to 0 during A/D conversion, the conversion is stopped and the A/D converter enters the wait state.

### 15.4.2 Scan Mode

In scan mode, A/D conversion is to be performed sequentially on the specified channels up to four channels as follows.

1. When the ADST bit is set to 1 by software, TPU or external trigger input, A/D conversion starts on the first channel in the group (for example, AN0 when CH3 and CH2 = 00, AN4 when CH3 and CH2 = 01, AN8 when CH3 and CH2 = 10, or AN12 when CH3 and CH2 = 11).
2. When the A/D conversion is completed on one channel, the result is sequentially transferred to the A/D data register corresponding to the channel.
3. When the conversion is completed on all the selected channels, the ADF bit in ADCSR is set to 1. If the ADIE bit is set to 1 at this time, an ADI interrupt is requested after A/D conversion ends. Then, the A/D converter restarts the conversion from the first channel in the group.
4. Steps 2 to 3 are repeated as long as the ADST bit is set to 1. When the ADST bit is cleared to 0, the A/D conversion stops and the A/D converter enters the wait state.

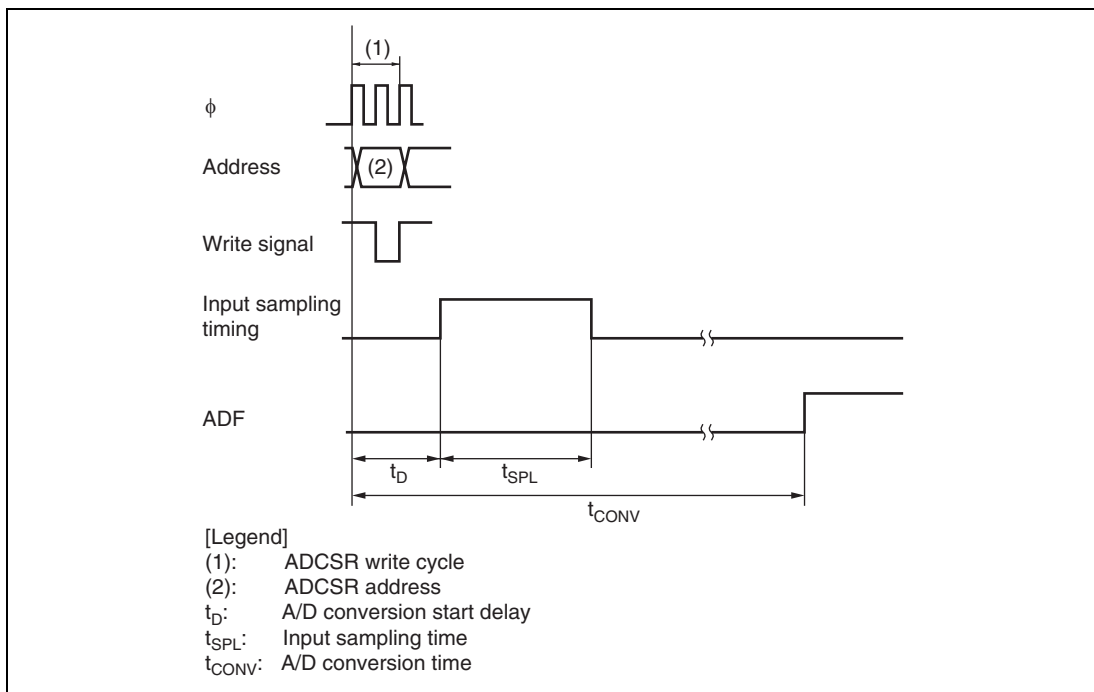


### 15.4.3 Input Sampling and A/D Conversion Time

The A/D converter includes the sample-and-hold circuit. The A/D converter samples the analog input when the A/D conversion start delay time ( $t_D$ ) has passed after the ADST bit is set to 1, and then conversion is started. Figure 15.2 shows the A/D conversion timing. Table 15.3 shows the A/D conversion time.

As shown in figure 15.2, the A/D conversion time ( $t_{CONV}$ ) includes  $t_D$  and input sampling time ( $t_{SPL}$ ). The length of  $t_D$  varies depending on the timing of the write access to ADCSR. Therefore, the total conversion time varies within the range shown in table 15.3.

In scan mode, the values given in table 15.3 indicate the first conversion time. The second and subsequent conversion time is shown in table 15.4. In both cases, set bits CKS1 and CKS0 in ADCR within the range shown in table 23.7 in section 23, Electrical Characteristics.



**Figure 15.2 A/D Conversion Timing**

**Table 15.3 A/D Conversion Time (Single Mode)**

Item	Symbol	CKS1 = 0						CKS1 = 1					
		CKS0 = 0			CKS0 = 1			CKS0 = 0			CKS0 = 1		
		Min.	Typ.	Max.	Min.	Typ.	Max.	Min.	Typ.	Max.	Min.	Typ.	Max.
A/D conversion start delay	$t_d$	18	—	33	10	—	17	6	—	9	4	—	5
Input sampling time	$t_{SPL}$	—	127	—	—	63	—	—	31	—	—	15	—
A/D conversion time	$t_{CONV}$	515	—	530	259	—	266	131	—	134	67	—	68

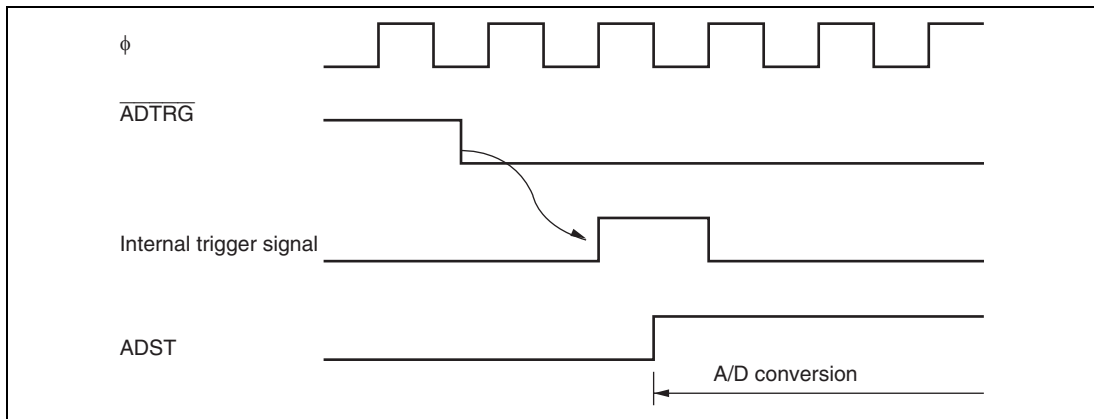
Note: All values represent the number of states.

**Table 15.4 A/D Conversion Time (Scan Mode)**

CKS1	CKS0	Conversion Time (State)
0	0	512 (Fixed)
	1	256 (Fixed)
1	0	128 (Fixed)
	1	64 (Fixed)

### 15.4.4 External Trigger Input Timing

A/D conversion can be externally triggered. When bits TRGS0 and TRGS1 in ADCR are set to 11, an external trigger is input on the  $\overline{\text{ADTRG}}$  pin. At the falling edge of the  $\overline{\text{ADTRG}}$  pin, the ADST bit in ADCSR is set to 1, and the A/D conversion starts. Other operations are the same as when the ADST bit has been set to 1 by software in both single and scan modes. Figure 15.3 shows the timing.



**Figure 15.3 External Trigger Input Timing**

## 15.5 Interrupt Source

When A/D conversion is completed, the A/D converter generates an A/D conversion end interrupt (ADI). The ADI interrupt request is enabled when the ADIE bit is set to 1 while the ADF bit in ADCSR is set to 1 after A/D conversion is completed. The DTC can be activated by an ADI interrupt. Having the converted data read by the DTC in response to an ADI interrupt enables continuous conversion without imposing a load on software.

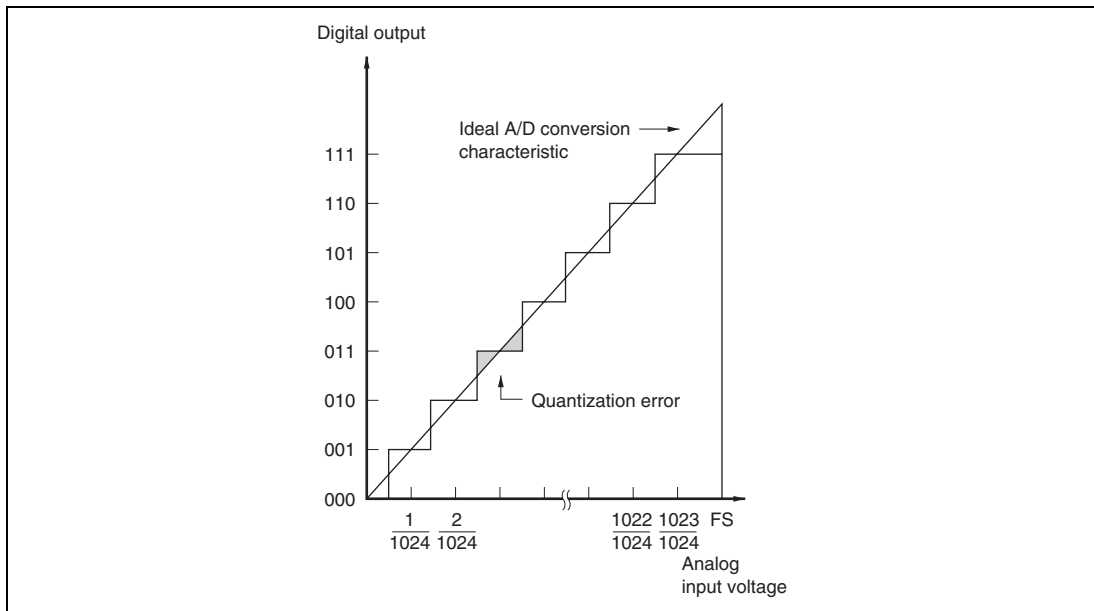
**Table 15.5 A/D Converter Interrupt Source**

Name	Interrupt Source	Interrupt Source Flag	DTC Activation
ADI	A/D conversion completed	ADF	Possible

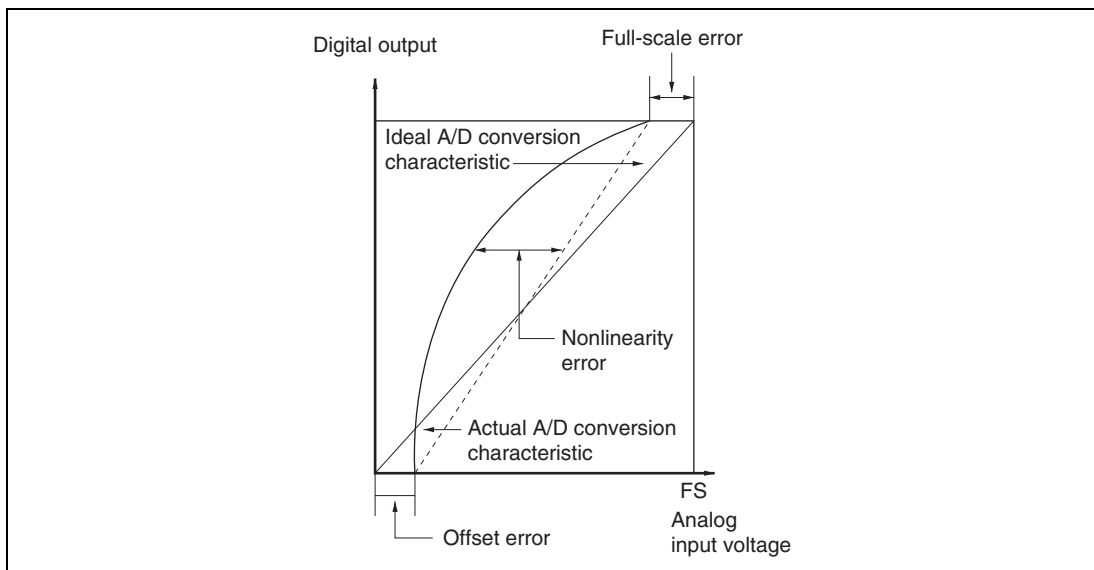
## 15.6 A/D Conversion Accuracy Definitions

This LSI's A/D conversion accuracy definitions are given below.

- **Resolution**  
The number of A/D converter digital output codes
- **Quantization error**  
The deviation inherent in the A/D converter, given by 1/2 LSB (see figure 15.4).
- **Offset error**  
The deviation of the analog input voltage value from the ideal A/D conversion characteristic when the digital output changes from the minimum voltage value B'000000000 (H'000) to B'000000001 (H'001) (see figure 15.5).
- **Full-scale error**  
The deviation of the analog input voltage value from the ideal A/D conversion characteristic when the digital output changes from B'111111110 (H'3FE) to B'111111111 (H'3FF) (see figure 15.5).
- **Nonlinearity error**  
The error with respect to the ideal A/D conversion characteristic between zero voltage and full-scale voltage. Does not include offset error, full-scale error, or quantization error (see figure 15.5).
- **Absolute accuracy**  
The deviation between the digital value and the analog input value. Includes offset error, full-scale error, quantization error, and nonlinearity error.



**Figure 15.4 A/D Conversion Accuracy Definitions**



**Figure 15.5 A/D Conversion Accuracy Definitions**

## 15.7 Usage Notes

### 15.7.1 Module Stop Mode Setting

Operation of the A/D converter can be disabled or enabled using the module stop control register. The initial setting is for operation of the A/D converter to be halted. Register access is enabled by clearing module stop mode. For details, refer to section 21, Power-Down Modes.

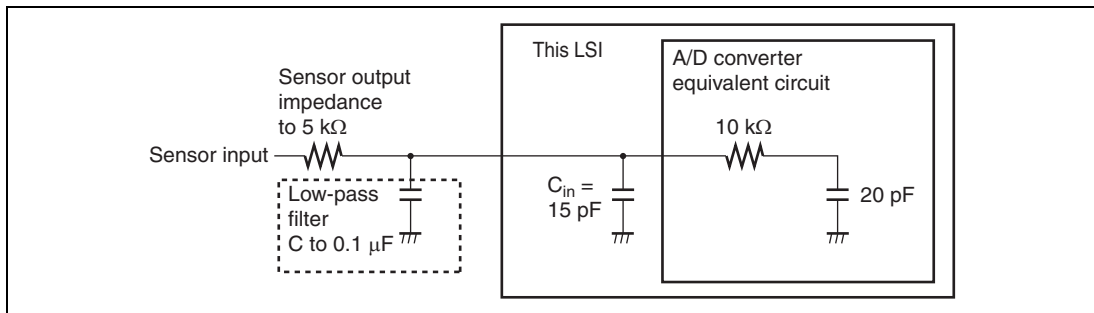
### 15.7.2 Permissible Signal Source Impedance

This LSI's analog input is designed such that conversion accuracy is guaranteed for an input signal for which the signal source impedance is 5 k $\Omega$  or less. This specification is provided to enable the A/D converter's sample-and-hold circuit input capacitance to be charged within the sampling time; if the sensor output impedance exceeds 5 k $\Omega$ , charging may be insufficient and it may not be possible to guarantee A/D conversion accuracy. However, for A/D conversion in single mode with a large capacitance provided externally, the input load will essentially comprise only the internal input resistance of 10 k $\Omega$ , and the signal source impedance is ignored. However, as a low-pass filter effect is obtained in this case, it may not be possible to follow an analog signal with a large differential coefficient (e.g., 5 mV/ $\mu$ s or greater) (see figure 15.6). When converting a high-speed analog signal or converting in scan mode, a low-impedance buffer should be inserted.

### 15.7.3 Influences on Absolute Accuracy

Adding capacitance results in coupling with GND, and therefore noise in GND may adversely affect absolute accuracy. Be sure to make the connection to an electrically stable GND such as AVss.

Care is also required to insure that filter circuits do not communicate with digital signals on the mounting board (i.e., acting as antennas).



**Figure 15.6 Example of Analog Input Circuit**

### 15.7.4 Range of Analog Power Supply and Other Pin Settings

If the conditions below are not met, the reliability of the device may be adversely affected.

- Analog input voltage range  
The voltage applied to analog input pin AN<sub>n</sub> during A/D conversion should be in the range  $AV_{SS} \leq VN_n \leq AV_{CC}$ .
- Relationship between AV<sub>CC</sub>, AV<sub>SS</sub> and V<sub>CC</sub>, V<sub>SS</sub>  
Set  $AV_{SS} = V_{SS}$  as the relationship between AV<sub>CC</sub>, AV<sub>SS</sub> and V<sub>CC</sub>, V<sub>SS</sub>. If the A/D converter is not used, the AV<sub>CC</sub> and AV<sub>SS</sub> pins must not be left open.
- Setting range of the V<sub>ref</sub> pin  
The reference voltage set by the V<sub>ref</sub> pin should be in the range  $V_{ref} \leq AV_{CC}$ .

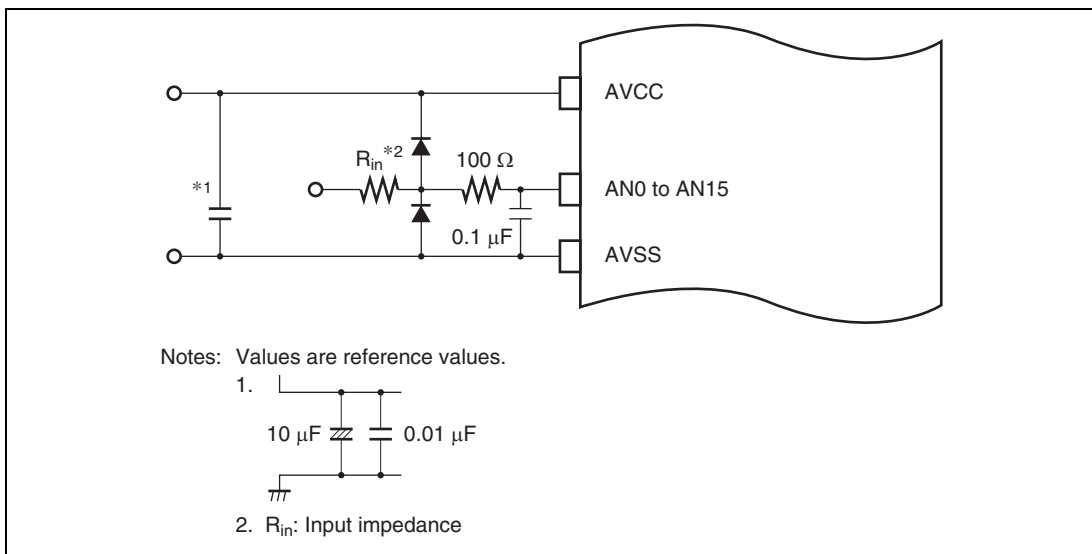
### 15.7.5 Notes on Board Design

In board design, digital circuitry and analog circuitry should be as mutually isolated as possible, and layout in which digital circuit signal lines and analog circuit signal lines cross or are in close proximity should be avoided as far as possible. Failure to do so may result in incorrect operation of the analog circuitry due to inductance, adversely affecting A/D conversion values. Also, digital circuitry must be isolated from the analog input signals (AN0 to AN15) and analog power supply (AV<sub>CC</sub>) by the analog ground (AV<sub>SS</sub>). Also, the analog ground (AV<sub>SS</sub>) should be connected at one point to a stable digital ground (V<sub>SS</sub>) on the board.

### 15.7.6 Notes on Noise Countermeasures

A protection circuit should be connected in order to prevent damage due to abnormal voltage, such as an excessive surge at the analog input pins (AN0 to AN15), between AVcc and AVss, as shown in figure 15.7. Also, the bypass capacitors connected to AVcc and the filter capacitor connected to AN0 to AN15 must be connected to AVss.

If a filter capacitor is connected, the input currents at the analog input pins (AN0 to AN15) are averaged, and so an error may arise. Also, when A/D conversion is performed frequently, as in scan mode, if the current charged and discharged by the capacitance of the sample-and-hold circuit in the A/D converter exceeds the current input via the input impedance ( $R_{in}$ ), an error will arise in the analog input pin voltage. Careful consideration is therefore required when deciding circuit constants.

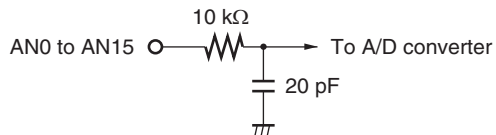


**Figure 15.7 Example of Analog Input Protection Circuit**



**Table 15.6 Analog Pin Specifications**

Item	Min.	Max.	Unit
Analog input capacitance	—	20	pF
Permissible signal source impedance	—	5	k $\Omega$



Note: Values are reference values.

**Figure 15.8 Analog Input Pin Equivalent Circuit**



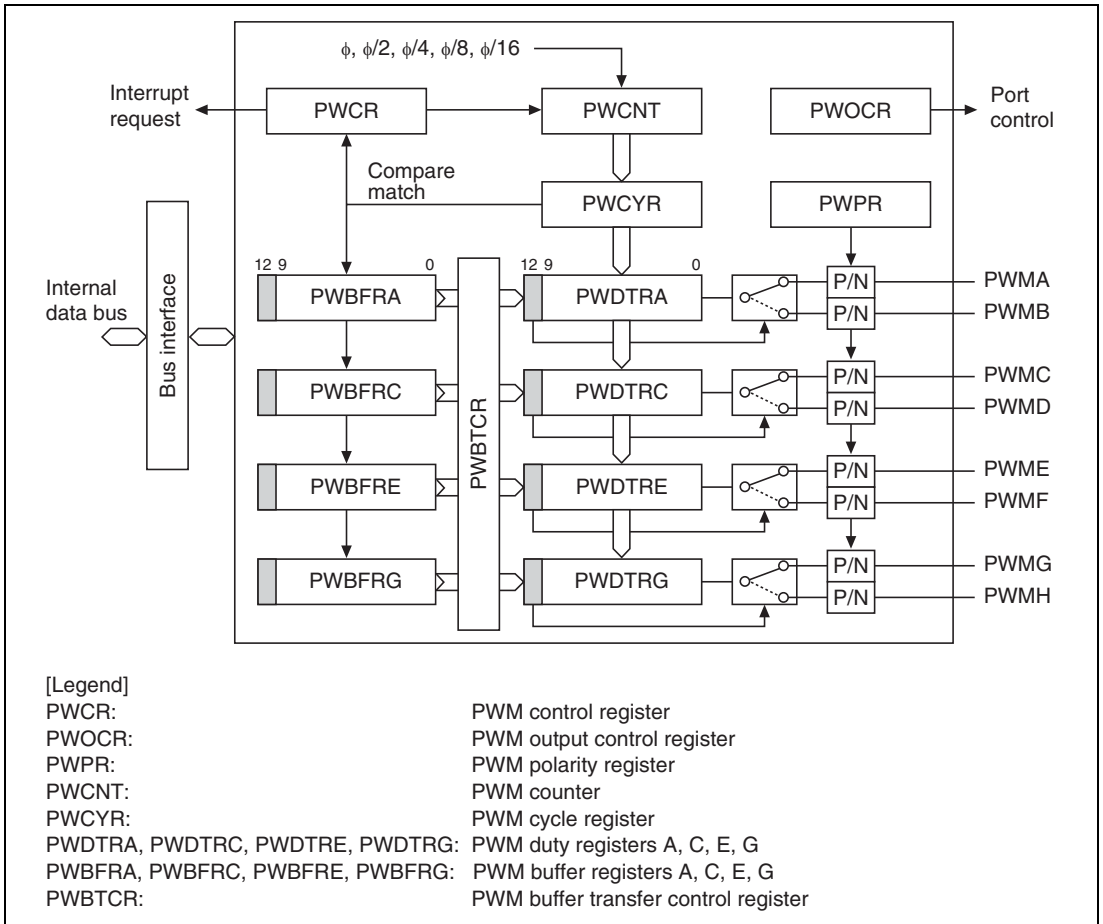
## Section 16 Motor Control PWM Timer (PWM)

This LSI has two channels of on-chip motor control PWM (pulse width modulator) with a maximum capability of 16 pulse outputs in total.

### 16.1 Features

- Maximum of 16 pulse outputs
  - Two 10-bit PWM channels, each with eight outputs.
  - 10-bit counter (PWCNT) and cycle register (PWCYR).
  - Duty and output polarity can be set for each output.
- Automatic data transfer in every cycle
  - Each of four duty registers (PWDTR) is provided with buffer registers (PWBFR), with data transferred automatically every cycle.
- Duty settings selectable
  - A duty cycle of 0% to 100% can be selected by means of a duty register setting.
- Operating clock selectable
  - There is a choice of five operating clocks ( $\phi$ ,  $\phi/2$ ,  $\phi/4$ ,  $\phi/8$ ,  $\phi/16$ ).
- High-speed access via internal 16-bit bus
- Two interrupt sources
  - An interrupt can be requested independently for each channel by a cycle register compare match.
- Automatic transfer of register data
  - Block transfer and one-word data transfer are available by activating the data transfer controller (DTC).
- On-chip output driver
  - IOL/IOH: 15 mA typ. and 30 mA max.
  - Total IOL/IOH: 120 mA max. (target value)
- Module stop mode can be set

Figure 16.1 shows a block diagram of PWM.



**Figure 16.1 Block Diagram of PWM**

## 16.2 Input/Output Pins

Table 16.1 shows the PWM pin configuration.

**Table 16.1 Pin Configuration**

Channel	Name	Abbrev.	I/O	Function
1	PWM output pin 1A	PWM1A	Output	Channel 1A PWM output
	PWM output pin 1B	PWM1B	Output	Channel 1B PWM output
	PWM output pin 1C	PWM1C	Output	Channel 1C PWM output
	PWM output pin 1D	PWM1D	Output	Channel 1D PWM output
	PWM output pin 1E	PWM1E	Output	Channel 1E PWM output
	PWM output pin 1F	PWM1F	Output	Channel 1F PWM output
	PWM output pin 1G	PWM1G	Output	Channel 1G PWM output
	PWM output pin 1H	PWM1H	Output	Channel 1H PWM output
2	PWM output pin 2A	PWM2A	Output	Channel 2A PWM output
	PWM output pin 2B	PWM2B	Output	Channel 2B PWM output
	PWM output pin 2C	PWM2C	Output	Channel 2C PWM output
	PWM output pin 2D	PWM2D	Output	Channel 2D PWM output
	PWM output pin 2E	PWM2E	Output	Channel 2E PWM output
	PWM output pin 2F	PWM2F	Output	Channel 2F PWM output
	PWM output pin 2G	PWM2G	Output	Channel 2G PWM output
	PWM output pin 2H	PWM2H	Output	Channel 2H PWM output

## 16.3 Register Descriptions

The PWM has the following registers for each channel.

- PWM control register (PWCR)
- PWM output control register (PWOCR)
- PWM polarity register (PWPR)
- PWM counter (PWCNT)
- PWM cycle register (PWCYR)
- PWM duty register A (PWDTRA)
- PWM duty register C (PWDTRC)
- PWM duty register E (PWTRE)
- PWM duty register G (PWDTRG)
- PWM buffer register A (PWBFR A)
- PWM buffer register C (PWBFR C)
- PWM buffer register E (PWBFR E)
- PWM buffer register G (PWBFR G)
- PWM buffer transfer control register (PWBTCR)

### 16.3.1 PWM Control Register (PWCR)

PWCR performs interrupt control, starting/stopping of the counter, and counter clock selection. It also contains a flag that indicates a compare match with PWCYR.

Bit	Bit Name	Initial Value	R/W	Description
7, 6	—	All 1	—	Reserved These bits are always read as 1 and cannot be modified.
5	IE	0	R/W	Interrupt Enable Enables or disables an interrupt request in the event of a compare match with PWCYR of the corresponding channel. 0: Interrupt disabled 1: Interrupt enabled
4	CMF	0	R/(W)*	Compare Match Flag Indicates the occurrence of a compare match with PWCYR of the corresponding channel. [Setting condition] When PWCNT = PWCYR [Clearing condition] <ul style="list-style-type: none"> <li>• When 0 is written to CMF after reading CMF = 1</li> <li>• When the DTC is activated by a compare match interrupt, and the DISEL bit in MRB of the DTC is 0</li> </ul>
3	CST	0	R/W	Counter Start Selects starting or stopping of PWCNT of the corresponding channel. 0: PWCNT is stopped 1: PWCNT is started

Bit	Bit Name	Initial Value	R/W	Description
2	CKS2	0	R/W	Clock Select
1	CKS1	0	R/W	These bits select the operating clock for PWCNT of the corresponding channel. 000: Counts on $\phi/1$ 001: Counts on $\phi/2$ 010: Counts on $\phi/4$ 011: Counts on $\phi/8$ 1xx: Counts on $\phi/16$
0	CKS0	0	R/W	

[Legend]

x: Don't care

Note: \* Only 0 can be written, to clear the flag.

### 16.3.2 PWM Output Control Register (PWOCR)

PWOCR enables or disables PWM output.

Bit	Bit Name	Initial Value	R/W	Description
7	OEnH	0	R/W	Output Enable
6	OEnG	0	R/W	Each of these bits enables or disables the corresponding PWM output.
5	OEnF	0	R/W	
4	OEnE	0	R/W	0: PWM output disabled 1: PWM output enabled
3	OEnD	0	R/W	
2	OEnC	0	R/W	
1	OEnB	0	R/W	
0	OEnA	0	R/W	

(n = 1, 2)



### 16.3.3 PWM Polarity Register (PWPR)

PWPR selects the PWM output polarity.

Bit	Bit Name	Initial Value	R/W	Description
7	OPSnH	0	R/W	Output Polarity Select
6	OPSnG	0	R/W	Each of these bits selects the PWM output polarity.
5	OPSnF	0	R/W	0: PWM direct output
4	OPSnE	0	R/W	1: PWM inverse output
3	OPSnD	0	R/W	
2	OPSnC	0	R/W	
1	OPSnB	0	R/W	
0	OPSnA	0	R/W	

(n = 1, 2)

### 16.3.4 PWM Counter (PWCNT)

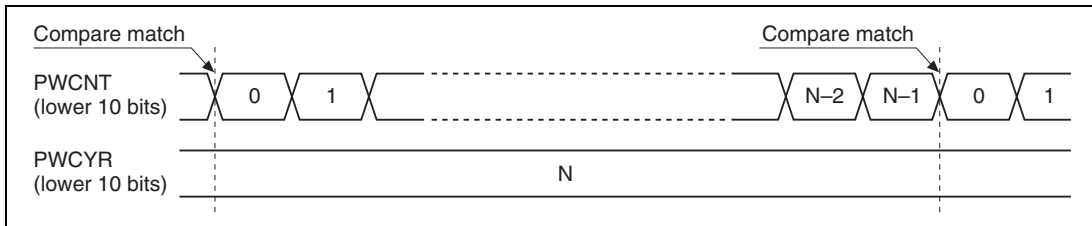
PWCNT is a 10-bit up-counter incremented by the input clock. The input clock is selected by clock select bits CKS2 to CKS0 in PWCR.

PWCNT can not be directly accessed by the CPU. PWCNT is initialized to H'FC00, when CST bit in PWCR is 0.

### 16.3.5 PWM Cycle Register (PWCYR)

PWCYR is a 16-bit readable/writable register that sets the PWM conversion cycle. When a PWCYR compare match occurs, PWCNT is cleared and data is transferred from the buffer register (PWBFR) to the duty register (PWDTR).

PWCYR should be written to only while PWCNT is stopped. A value of H'FC00 must not be set. PWCYR is initialized to H'FFFF.



**Figure 16.2 Cycle Register Compare Match**

### 16.3.6 PWM Duty Registers A, C, E, G (PWDTRA, PWDTRC, PWDTRE, PWDTRG)

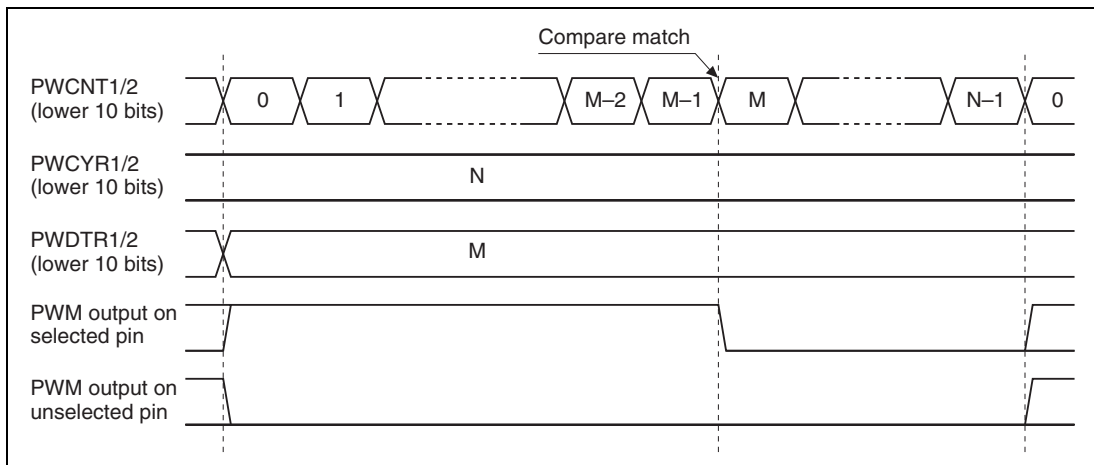
There are four PWDTR registers (PWDTRA, PWDTRC, PWDTRE, and PWDTRG). The PWDTRA is used for outputs PWMA and PWMB, PWDTRC for outputs PWMC and PWMD, PWDTRE for outputs PWME and PWMF, and PWDTRG for outputs PWMG and PWMH.

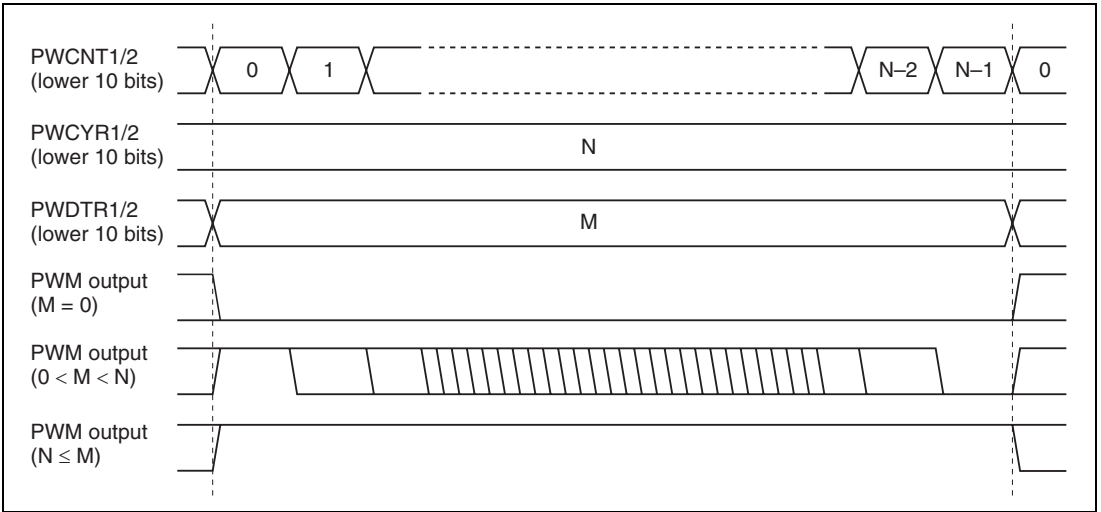
PWDTR can not be directly accessed by the CPU. When a PWCYR compare match occurs, data is transferred from the buffer register (PWBFR) to the duty register (PWDTR).

Bit	Bit Name	Initial Value	R/W	Description
15 to 13	—	—	—	Reserved
12	OTS	0	—	Output Terminal Select Selects the pin used for PWM output. Unselected pins output a low level (or a high level when the corresponding bit in PWPR is set to 1). For details, see table 16.2.
11, 10	—	—	—	Reserved
9	DT9	0	—	Duty
8	DT8	0	—	These bits specify the PWM output duty. A high level (or a low level when the corresponding bit in PWPR is set to 1) is output from the time PWCNT is cleared by a PWCYR compare match until a PWDTR compare match occurs. When all of the bits are 0, there is no high-level (or low-level when the corresponding bit in PWPR is set to 1) output period.
7	DT7	0	—	
6	DT6	0	—	
5	DT5	0	—	
4	DT4	0	—	
3	DT3	0	—	
2	DT2	0	—	
1	DT1	0	—	
0	DT0	0	—	

**Table 16.2 Output Selection by OTS Bit**

Register	Bit 12	
	OTS	Description
PWDTR1A/	0	PWMA output selected
PWDTR2A	1	PWMB output selected
PWDTR1C/	0	PWMC output selected
PWDTR2C	1	PWMD output selected
PWDTR1E/	0	PWME output selected
PWDTR2E	1	PWMF output selected
PWDTR1G/	0	PWMG output selected
PWDTR2G	1	PWMH output selected

**Figure 16.3 Duty Register Compare Match (OPS = 0 in PWPR)**



**Figure 16.4 Differences in PWM Output According to Duty Register Set Value (OPS = 0 in PWPR)**

### 16.3.7 PWM Buffer Registers A, C, E, G (PWBFR, PWBFR, PWBFR, PWBFR)

There are four PWBFR registers (PWBFR, PWBFR, PWBFR, and PWBFR). When a PWCYR compare match occurs, data is transferred from the buffer register (PWBFR) to the duty register (PWDTR).

Bit	Bit Name	Initial Value	R/W	Description
15 to 13	—	All 1	—	Reserved These bits are always read as 1 and cannot be modified.
12	OTS	0	R/W	Output Terminal Select Holds the data to be sent to bit 12 in PWDTR.
11, 10	—	All 1	—	Reserved These bits are always read as 1 and cannot be modified.
9	DT9	0	R/W	Duty
8	DT8	0	R/W	These bits hold the data to be sent to bits 9 to 0 in PWDTR.
7	DT7	0	R/W	
6	DT6	0	R/W	
5	DT5	0	R/W	
4	DT4	0	R/W	
3	DT3	0	R/W	
2	DT2	0	R/W	
1	DT1	0	R/W	
0	DT0	0	R/W	

### 16.3.8 PWM Buffer Transfer Control Register (PWBTCR)

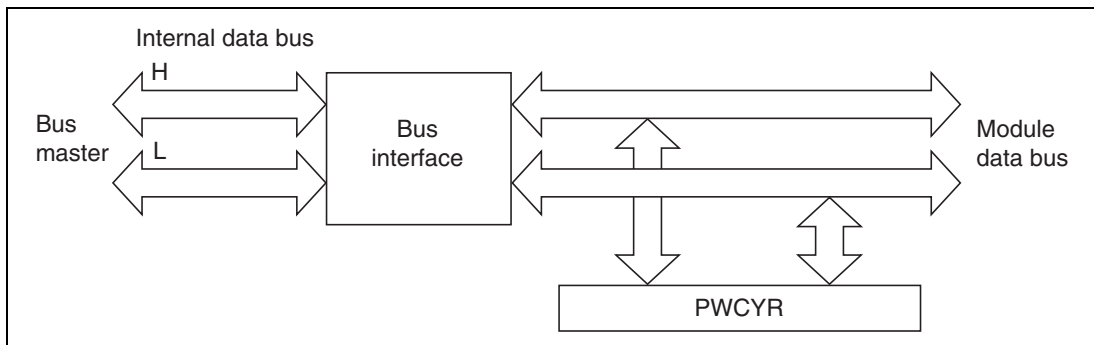
PWBTCR enables or disables the data transfer from buffer register to duty register with the compare match of PWM counter and PWM cycle register.

Bit	Bit Name	Initial Value	R/W	Description
7	BTC2G	0	R/W	0: Data transfer from PWBFR to PWDTR enabled with PWCNT and PWCYR compare match
6	BTC2E	0	R/W	
5	BTC2C	0	R/W	1: Data transfer from PWBFR to PWDTR disabled with PWCNT and PWCYR compare match
4	BTC2A	0	R/W	
3	BTC1G	0	R/W	
2	BTC1E	0	R/W	
1	BTC1C	0	R/W	
0	BTC1A	0	R/W	

## 16.4 Bus Master Interface

### 16.4.1 16-Bit Data Registers

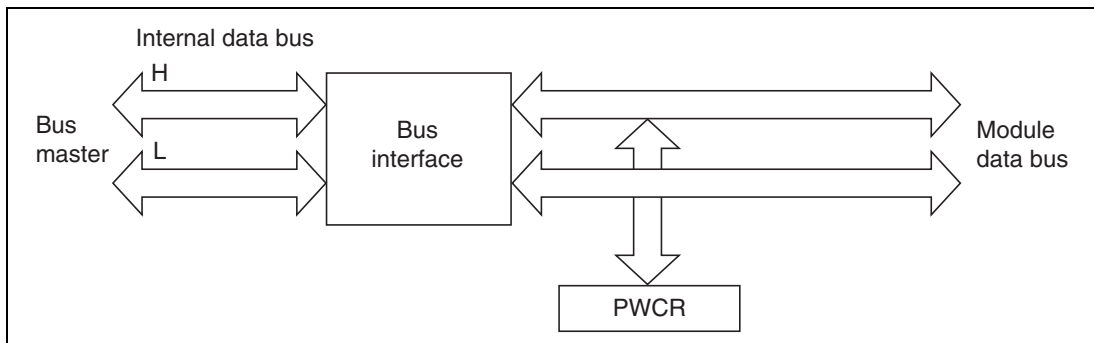
PWCYR and PWBFR are 16-bit registers. These registers are linked to the bus master by a 16-bit data bus, and can be read or written in 16-bit units. They cannot be read or written by 8-bit access; 16-bit access must always be used.



**Figure 16.5 16-Bit Register Access Operation (Bus Master ↔ PWCYR (16 Bits))**

### 16.4.2 8-Bit Data Registers

PWCR, PWOCR, and PWPR are 8-bit registers that can be read and written to in 8-bit units. These registers are linked to the bus master by a 16-bit data bus, and can be read or written by 16-bit access; in this case, the lower eight bits are read as an undefined value.



**Figure 16.6 8-Bit Register Access Operation (Bus Master ↔ PWCR (Upper Eight Bits))**

## 16.5 Operation

### 16.5.1 PWM Operation

PWM waveforms are output from pins PWM1A to PWM1H and PWM2A to PWM2H as shown in figure 16.7.

**Initial Settings:** Set the PWM output polarity in PWPR; set the OEn bit in PWOCR to 1 to enable PWM output from the corresponding pin; select the clock to be input to PWCNT with the CKS2 to CKS0 bits in PWCR; set the PWM conversion cycle in PWCYR; and set the first frame of data in PWBFRA, PWBFRFC, PWBFRE, and PWBFRG.

**Activation:** Setting the CST bit in PWCR to 1 starts counting by PWCNT. When a compare match between PWCNT and PWCYR occurs, data is transferred from the buffer register to the duty register and the CMF bit in PWCR is set to 1. If the IE bit in PWCR has been set to 1 at this time, an interrupt can be requested or the DTC can be activated.

**Waveform Output:** The PWM outputs selected by the OTS bits in PWDTRA, PWDTRC, PWDTRE, and PWDTRG go high when a compare match occurs between PWCNT and PWCYR. The PWM outputs not selected by the OTS bit are low. When a compare match occurs between PWCNT and PWDTRA, PWDTRC, PWDTRE, or PWDTRG, the corresponding PWM output goes low. If the corresponding bit in PWPR is set to 1, the output is inverted.

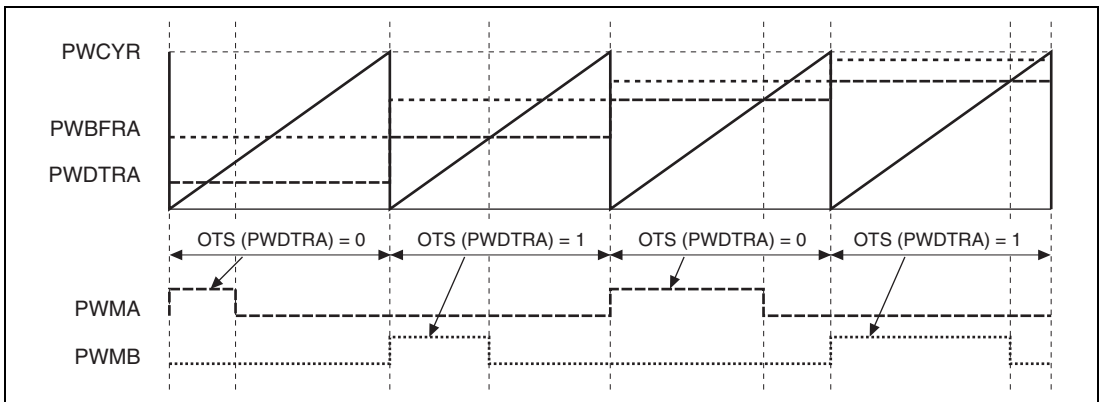


Figure 16.7 PWM Operation

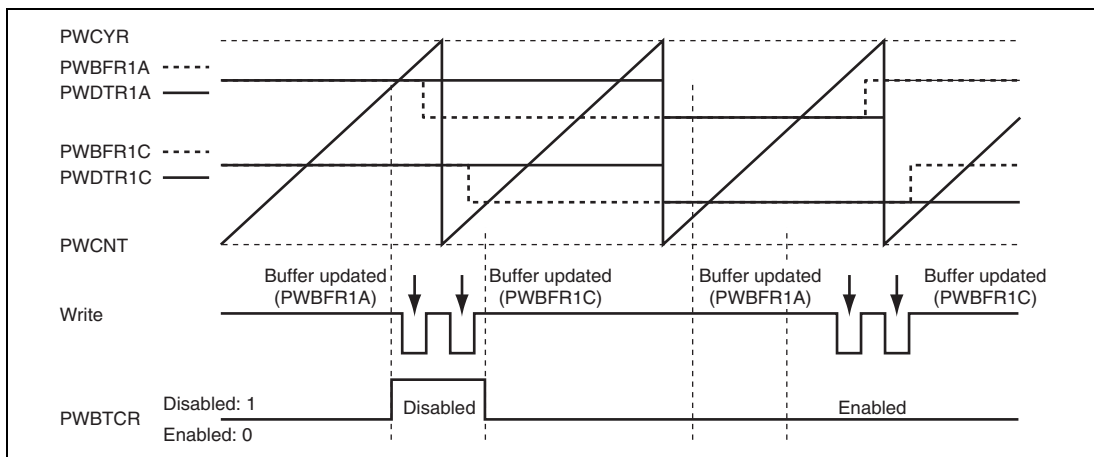
**Next Frame:** When a compare match occurs between PWCNT and PWCYR, data is transferred from the buffer register to the duty register. PWCNT is reset and starts counting up from H'000. The CMF bit in PWCR is set, and if the IE bit in PWCR1 or PWCR2 has been set, an interrupt can be requested or the DTC can be activated.



**Stopping:** When the CST bit in PWCR is cleared to 0, PWCNT is reset and stops. All PWM outputs go low (or high if the corresponding bit in PWPR is set to 1).

### 16.5.2 Buffer Transfer Control

Setting a corresponding bit in the PWM buffer transfer control register disables a buffer transfer on compare match. This prevents the output from changing when compare match occurs while the buffer register is being changed. A buffer transfer on compare match is resumed after cleaning the bit.

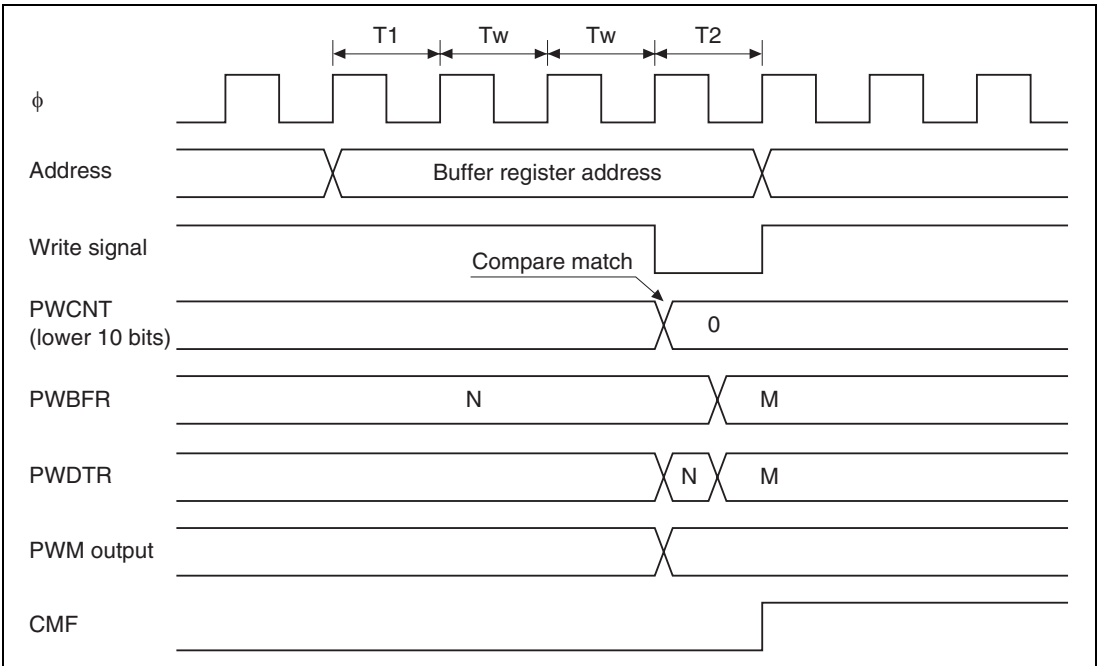


**Figure 16.8 Disabling Buffer Transfer**

## 16.6 Usage Note

**Conflict between Buffer Register Write and Compare Match:** If a PWBFR write is performed in the state immediately after a cycle register compare match, the buffer register and duty register are both modified. PWM output changed by the cycle register compare match is not changed by modification of the duty register due to conflict. This may result in unanticipated duty output.

Buffer register modification must be completed before automatic transfer by the DTC, exception handling due to a compare match interrupt, or the occurrence of a cycle register compare match on detection of the rise of CMF (compare match flag) in PWCR.



**Figure 16.9 Conflict between Buffer Register Write and Compare Match**

## Section 17 LCD Controller/Driver

This LSI has an on-chip segment type LCD control circuit, LCD driver, and power supply circuit, enabling direct drive of an LCD panel.

### 17.1 Features

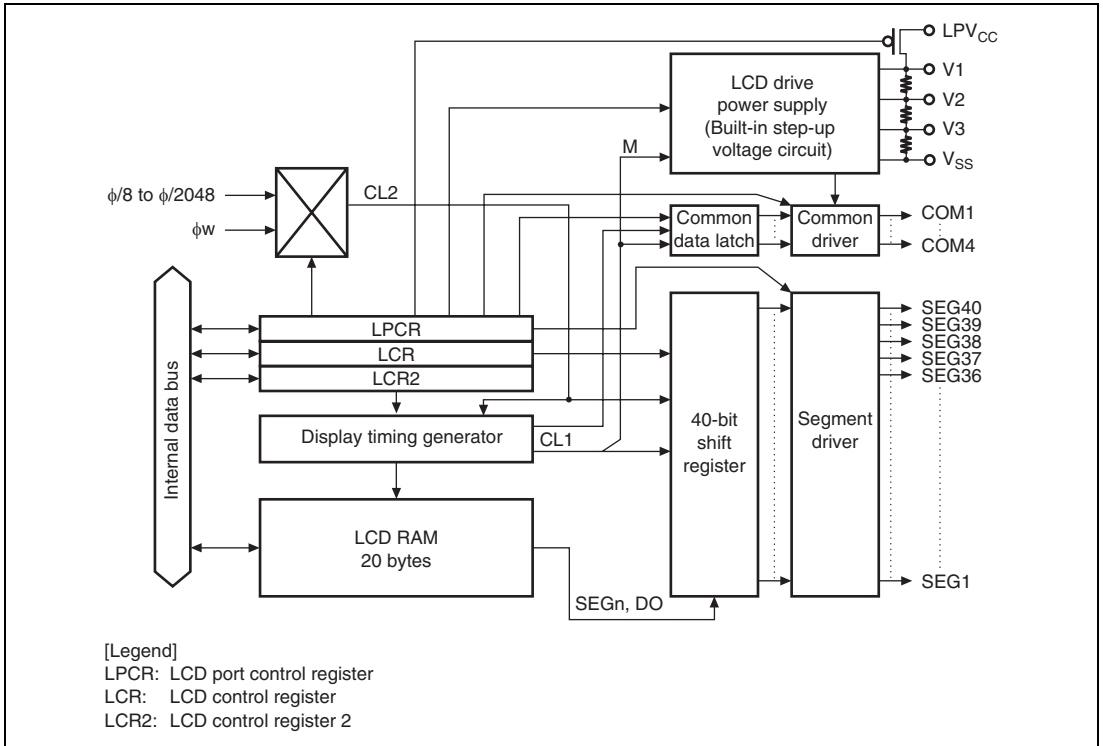
Features of the LCD controller/driver are given below.

- Display capacity

Duty Cycle	Internal Driver
Static	40 SEG
1/2	40 SEG
1/3	40 SEG
1/4	40 SEG

- LCD RAM capacity
  - 8 bits × 20 bytes (160 bits)
  - Byte or word access to LCD RAM
- The segment output pins can be used as ports.
  - SEG40 to SEG1 pins can be used as ports in groups of four.
- Common output pins not used because of the duty cycle can be used for common double-buffering (parallel connection).
  - With 1/2 duty, parallel connection of COM1 to COM2, and of COM3 to COM4, can be used
  - In static mode, parallel connection of COM1 to COM2, COM3, and COM4 can be used
- Choice of 11 frame frequencies
- A or B waveform selectable by software
- On-chip power supply split-resistance
- Display possible in operating modes other than standby mode and module stop mode
- Module stop mode
  - Access to registers and LCD RAM is enabled by clearing module stop mode.

Figure 17.1 shows a block diagram of the LCD controller/driver.



**Figure 17.1 Block Diagram of LCD Controller/Driver**

## 17.2 Input/Output Pins

Table 17.1 shows the LCD controller/driver pin configuration.

**Table 17.1 Pin Configuration**

<b>Name</b>	<b>Abbreviation</b>	<b>I/O</b>	<b>Function</b>
Segment output pins	SEG40 to SEG1	Output	LCD segment drive pins All pins are multiplexed with port pins (setting programmable)
Common output pins	COM4 to COM1	Output	LCD common drive pins Pins can be used in parallel in static mode or 1/2 duty
LCD power supply pins	V1, V2, V3	—	Used when a bypass capacitor is connected externally, and when an external power supply circuit is used

## 17.3 Register Descriptions

The LCD controller/driver has the following registers.

- LCD port control register (LPCR)
- LCD control register (LCR)
- LCD control register 2 (LCR2)
- LCDRAM

### 17.3.1 LCD Port Control Register (LPCR)

LPCR selects the duty cycle, and the LCD driver and pin functions.

Bit	Bit Name	Initial Value	R/W	Description
7	DTS1	0	R/W	Duty Cycle Select 1 and 0
6	DTS0	0	R/W	Common Function Select
5	CMX	0	R/W	The combination of DTS1 and DTS0 selects static, 1/2, 1/3, or 1/4 duty.  CMX specifies whether or not the same waveform is to be output from multiple pins to increase the common drive power when not all common pins are used because of the duty setting. For details, see table 17.2.
4	—	0	—	Reserved  This bit is always read as 0. The write value should always be 0.
3	SGS3	0	R/W	Segment Driver Select 3 to 0
2	SGS2	0	R/W	These bits select the segment drivers to be used.
1	SGS1	0	R/W	For details, see table 17.3.
0	SGS0	0	R/W	

**Table 17.2 Duty Cycle and Common Function Selection**

Bit 7: DTS1	Bit 6: DTS0	Bit 5: CMX	Duty Cycle	Common Drivers	Notes
0	0	0	Static	COM1	COM4, COM3, and COM2 can be used as ports
		1		COM4 to COM1	COM4, COM3, and COM2 output the same waveform as COM1
0	1	0	1/2 duty	COM2 to COM1	COM4 and COM3 can be used as ports
		1		COM4 to COM1	COM4 outputs the same waveform as COM3, and COM2 outputs the same waveform as COM1
1	0	0	1/3 duty	COM3 to COM1	COM4 can be used as a port
		1		COM4 to COM1	Do not use COM4
1	1	X	1/4 duty	COM4 to COM1	—

[Legend]

X: Don't care

Note: COM4 to COM1 function as ports when the setting of SGS3 to SGS0 is B'0000.

**Table 17.3 Segment Driver Selection**

Bit 3	Bit 2	Bit 1	Bit 0	Function of Pins SEG40 to SEG1									
				SEG40 to SEG33	SEG32 to SEG29	SEG28 to SEG25	SEG24 to SEG21	SEG20 to SEG17	SEG16 to SEG13	SEG12 to SEG9	SEG8 to SEG5	SEG4 to SEG1	
0	0	0	0	Port	Port	Port	Port	Port	Port	Port	Port	Port	
0	0	0	1	SEG	Port	Port	Port	Port	Port	Port	Port	Port	
0	0	1	0	SEG	SEG	Port	Port	Port	Port	Port	Port	Port	
0	0	1	1	SEG	SEG	SEG	Port	Port	Port	Port	Port	Port	
0	1	0	0	SEG	SEG	SEG	SEG	Port	Port	Port	Port	Port	
0	1	0	1	SEG	SEG	SEG	SEG	SEG	Port	Port	Port	Port	
0	1	1	0	SEG	SEG	SEG	SEG	SEG	SEG	Port	Port	Port	
0	1	1	1	SEG	SEG	SEG	SEG	SEG	SEG	SEG	Port	Port	
1	X	X	0	SEG	SEG	SEG	SEG	SEG	SEG	SEG	SEG	Port	
1	X	X	1	SEG	SEG	SEG	SEG	SEG	SEG	SEG	SEG	SEG	

[Legend]

X: Don't care

- Notes:
1. The external expanded mode can be used when SGS3 to SGS0 are set to B'0000.
  2. The external expanded mode cannot be used when SGS3 to SGS0 are not set to B'0000.
  3. COM4 to COM1 also function as ports when the setting of SGS3 to SGS0 is B'0000.



### 17.3.2 LCD Control Register (LCR)

LCR controls LCD power supply split-resistance connection and display data, and selects the frame frequency.

Bit	Bit Name	Initial Value	R/W	Description
7	—	1	R/W	Reserved This bit is always read as 1. The write value should always be 0.
6	PSW	0	R/W	LCD Power Supply Split-Resistance Connection Control Disconnects the LCD power supply split-resistance from $V_{cc}$ when LCD display is not required in a power-down mode, or when an external power supply is used. When the ACT bit is cleared to 0, and also in standby mode, the LCD power supply split-resistance is disconnected from $V_{cc}$ regardless of the setting of this bit. 0: LCD power supply split-resistance is disconnected from $V_{cc}$ 1: LCD power supply split-resistance is connected to $V_{cc}$
5	ACT	0	R/W	Display Function Activate Specifies whether or not the LCD controller/driver is used. Clearing this bit to 0 halts operation of the LCD controller/driver. The LCD drive power supply ladder resistance is also turned off, regardless of the setting of the PSW bit. However, register contents are retained. 0: LCD controller/driver operation halted 1: LCD controller/driver operation activated
4	DISP	0	R/W	Display Data Control Specifies whether the LCD RAM contents are displayed or blank data is displayed regardless of the LCD RAM contents. 0: Blank data is displayed 1: LCD RAM data is displayed

Bit	Bit Name	Initial Value	R/W	Description
3	CKS3	0	R/W	Frame Frequency Select 3 to 0
2	CKS2	0	R/W	These bits select the operating clock and the frame frequency. In subactive mode, watch mode, and subsleep mode, the system clock ( $\phi$ ) is halted, and therefore display operations are not performed if one of the clocks from $\phi/2$ to $\phi/256$ is selected. If LCD display is required in these modes, $\phi_{\text{SUB}}$ , $\phi_{\text{SUB}}/2$ , or $\phi_{\text{SUB}}/4$ must be selected as the operating clock.  For details, see table 17.4.
1	CKS1	0	R/W	
0	CKS0	0	R/W	

Table 17.4 Frame Frequency Selection

Bit 3	Bit 2	Bit 1	Bit 0	Operating Clock	Frame Frequency* <sup>1</sup>	
CKS3	CKS2	CKS1	CKS0		$\phi = 20 \text{ MHz}$	
0	X	0	0	$\phi_{\text{SUB}}$	128 Hz* <sup>2</sup>	
			1	$\phi_{\text{SUB}}/2$	64 Hz* <sup>2</sup>	
		1	X	$\phi_{\text{SUB}}/4$	32 Hz* <sup>2</sup>	
1	0	0	0	$\phi/8$	4880 Hz	
			1	$\phi/16$	2440 Hz	
			0	$\phi/32$	1220 Hz	
		1	0	1	$\phi/64$	610 Hz
				0	$\phi/128$	305 Hz
				1	$\phi/256$	152.6 Hz
				0	$\phi/512$	76.3 Hz
1	$\phi/1024$	38.1 Hz				

[Legend]

X: Don't care

Notes: 1. When 1/3 duty is selected, the frame frequency is 4/3 times the value shown.

2. This is the frame frequency when  $\phi_{\text{SUB}} = 32.767 \text{ MHz}$ .

### 17.3.3 LCD Control Register 2 (LCR2)

LCR2 controls switching between the A waveform and B waveform.

Bit	Bit Name	Initial Value	R/W	Description
7	LCDAB	0	R/W	A Waveform/B Waveform Switching Control Selects the A waveform or B waveform for the LCD drive waveform. 0: Drive using A waveform 1: Drive using B waveform
6, 5	—	All 1	—	Reserved These bits are always read as 1 and cannot be modified.
4 to 0	—	All 0	—	Reserved These bits are always read as 0. The write value should always be 0.

## 17.4 Operation

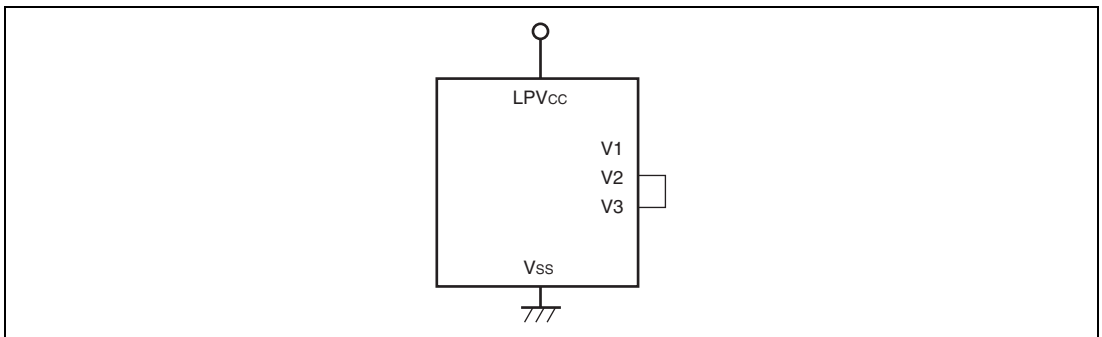
### 17.4.1 Settings up to LCD Display

To perform LCD display, the hardware and software related items described below must first be determined.

#### 1. Hardware Settings

##### A. Using 1/2 duty

When 1/2 duty is used, interconnect pins V2 and V3 as shown in figure 17.2.



**Figure 17.2 Handling of LCD Drive Power Supply when Using 1/2 Duty**

##### B. Large-panel display

As the impedance of the built-in power supply split-resistance is large, it may not be suitable for driving a large panel. If the display lacks sharpness when using a large panel, see section 17.4.4, Boosting the LCD Drive Power Supply. When static or 1/2 duty is selected, the common output drive capability can be increased. Set CMX to 1 when selecting the duty cycle. In this mode, with a static duty cycle, pins COM4 to COM1 output the same waveform, and with 1/2 duty, the COM1 waveform is output from pins COM2 and COM1, and the COM2 waveform is output from pins COM4 and COM3.

##### C. LCD drive power supply setting

With this LSI, there are two ways of providing LCD power: by using the on-chip power supply circuit or by using an external power supply circuit.

When an external power supply circuit is used for the LCD drive power supply, connect the external power supply to the V1 pin.

## 2. Software Settings

### A. Duty selection

Any of four duty cycles—static, 1/2 duty, 1/3 duty, or 1/4 duty—can be selected with bits DTS1 and DTS0.

### B. Segment driver selection

The segment drivers to be used can be selected with bits SGS3 to SGS0.

## 3. Frame frequency selection

The frame frequency can be selected by setting bits CKS3 to CKS0. The frame frequency should be selected in accordance with the LCD panel specification. For the clock selection method in watch mode, subactive mode, and subsleep mode, see section 17.4.3, Operation in Power-Down Modes.

### A. A or B waveform selection

Either the A or B waveform can be selected as the LCD waveform to be used by means of LCDAB.

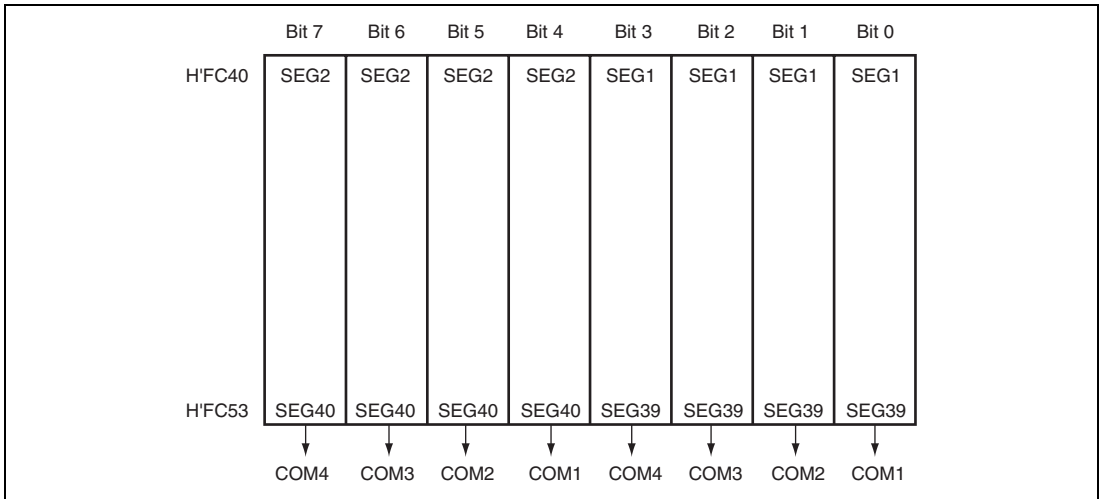
### B. LCD drive power supply selection

When an external power supply circuit is used, turn the LCD drive power supply off with the PSW bit.

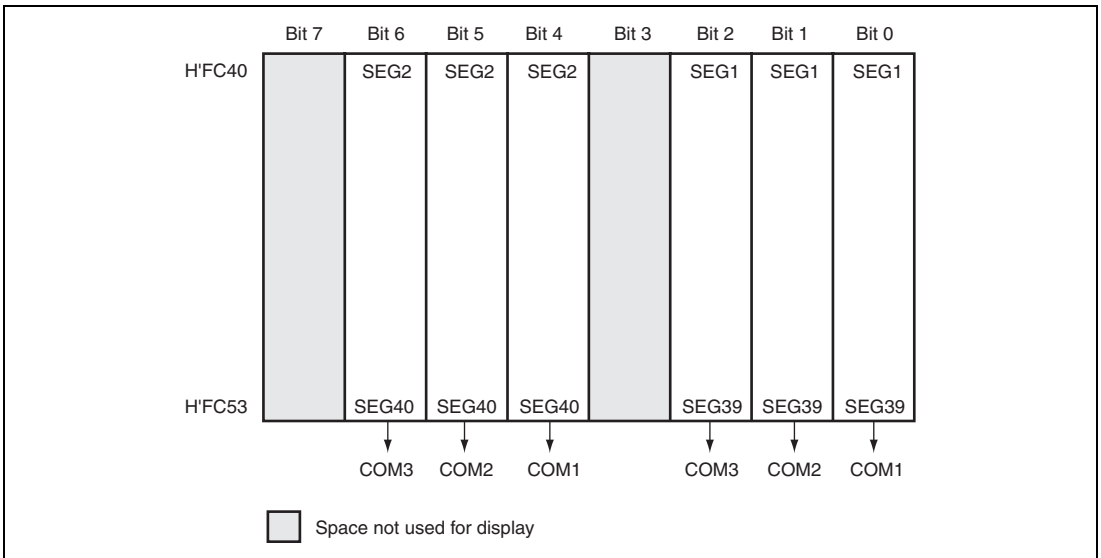
## 17.4.2 Relationship between LCD RAM and Display

The relationship between the LCD RAM and the display segments differs according to the duty cycle. LCD RAM maps for the different duty cycles are shown in figures 17.3 to 17.6.

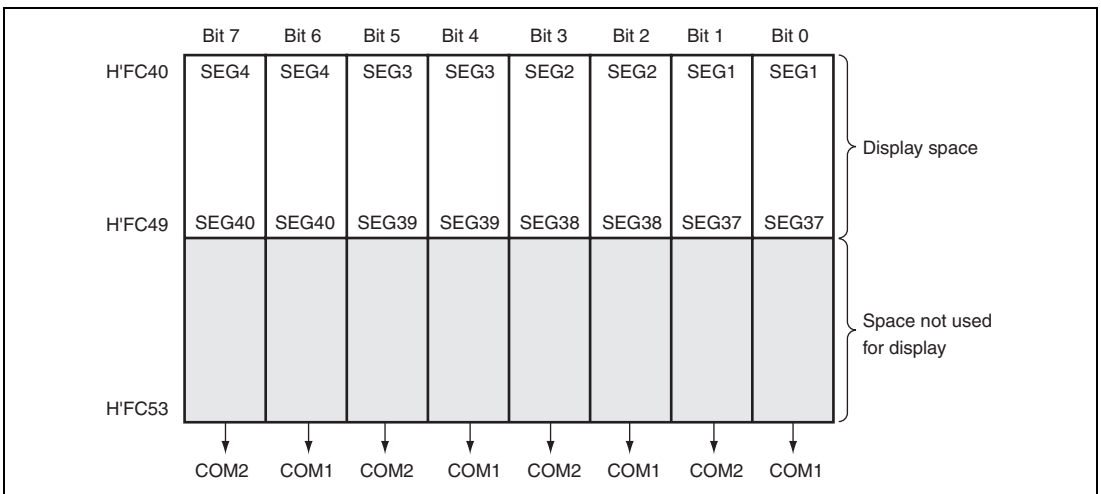
After setting the registers required for display, data is written to the part corresponding to the duty cycle using the same kind of instruction as for ordinary RAM, and display is started automatically when turned on. Word- or byte-access instructions can be used for RAM setting.



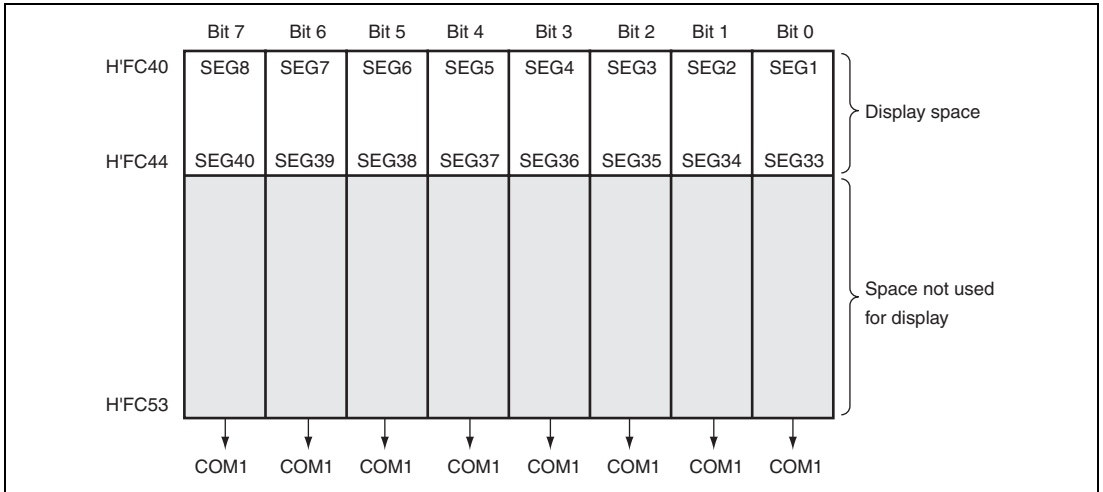
**Figure 17.3 LCD RAM Map (1/4 Duty)**



**Figure 17.4 LCD RAM Map (1/3 Duty)**

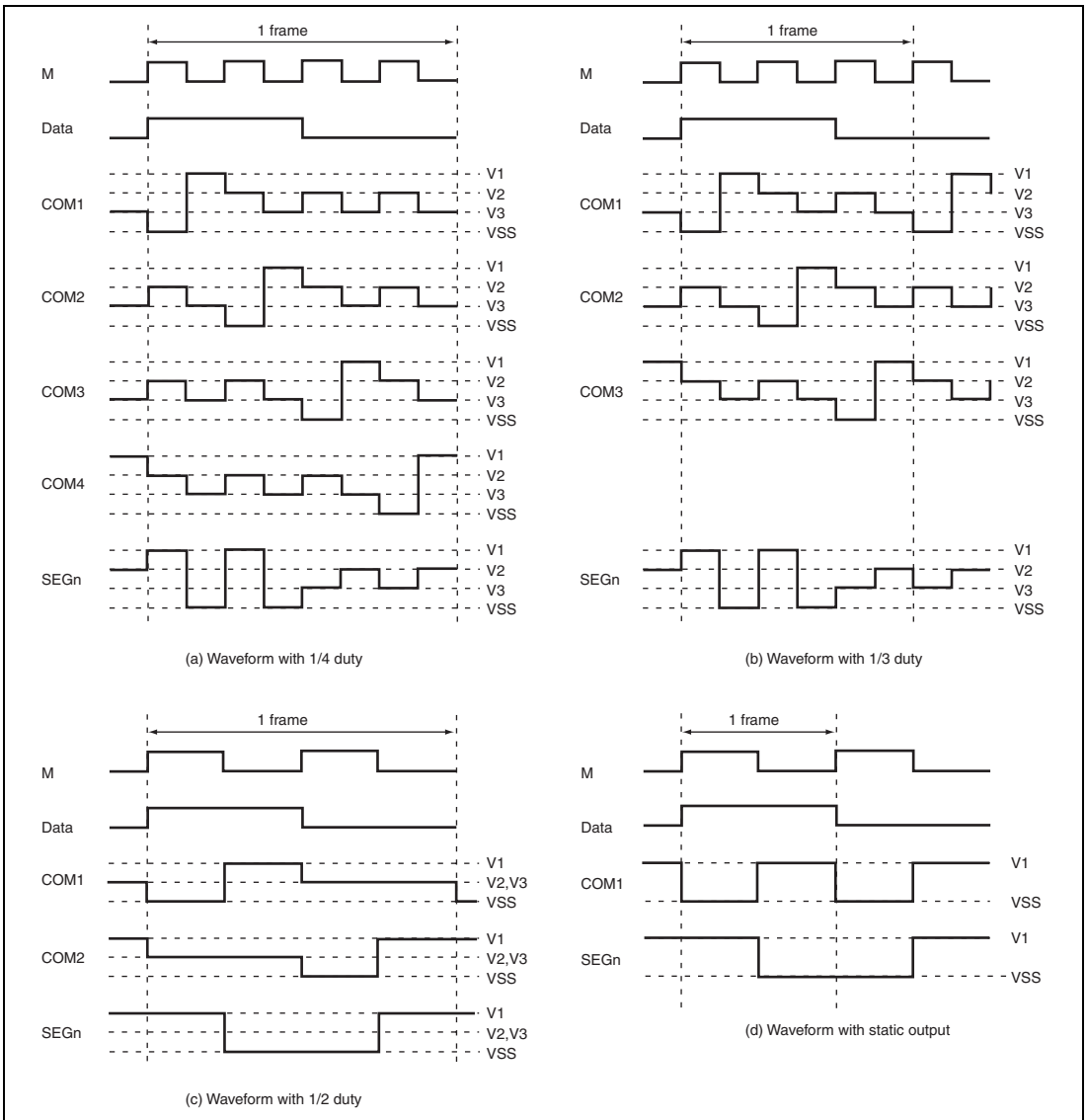


**Figure 17.5 LCD RAM Map (1/2 Duty)**

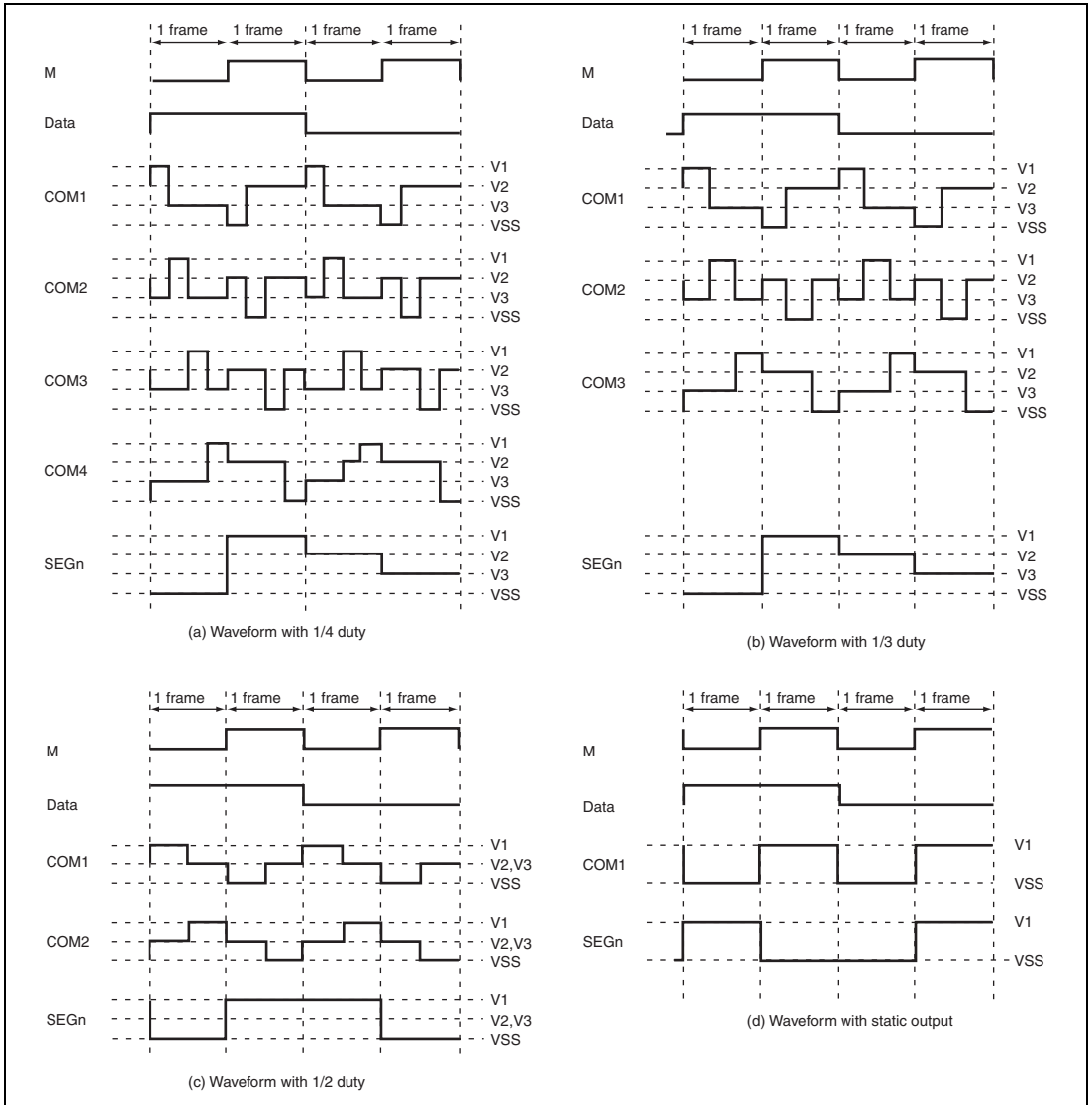


**Figure 17.6 LCD RAM Map (Static Mode)**





**Figure 17.7 Output Waveforms for Each Duty Cycle (A Waveform)**



**Figure 17.8 Output Waveforms for Each Duty Cycle (B Waveform)**

**Table 17.5 Output Levels (A Waveform)**

Data		0	0	1	1
M		0	1	0	1
Static	Common output	V1	V <sub>SS</sub>	V1	V <sub>SS</sub>
	Segment output	V1	V <sub>SS</sub>	V <sub>SS</sub>	V1
1/2 duty	Common output	V2, V3	V2, V3	V1	V <sub>SS</sub>
	Segment output	V1	V <sub>SS</sub>	V <sub>SS</sub>	V1
1/3 duty	Common output	V3	V2	V1	V <sub>SS</sub>
	Segment output	V2	V3	V <sub>SS</sub>	V1
1/4 duty	Common output	V3	V2	V1	V <sub>SS</sub>
	Segment output	V2	V3	V <sub>SS</sub>	V1

### 17.4.3 Operation in Power-Down Modes

In this LSI, the LCD controller/driver can be operated even in power-down modes. The operating state of the LCD controller/driver in the power-down modes is summarized in table 17.6.

In subactive mode, watch mode, and subsleep mode, the system clock oscillator stops, and therefore, unless  $\phi_{SUB}$ ,  $\phi_{SUB}/2$ , or  $\phi_{SUB}/4$  has been selected by bits CKS3 to CKS0, the clock will not be supplied and display will halt. Since a DC voltage may be applied to the LCD panel in this case, it is essential to ensure that  $\phi_{SUB}$ ,  $\phi_{SUB}/2$ , or  $\phi_{SUB}/4$  is selected. In active (medium-speed) mode, the system clock is switched. Therefore, the bits CKS3 to CKS0 must be specified appropriately so that the frame frequency is fixed.

In the software standby mode, the segment output and common output pins switch to I/O ports. In this case if a port's DDR or PCR bit is set to 1, a DC voltage may be applied to the LCD panel. Therefore, DDR and PCR must never be set to 1 for ports being used for segment output or common output.

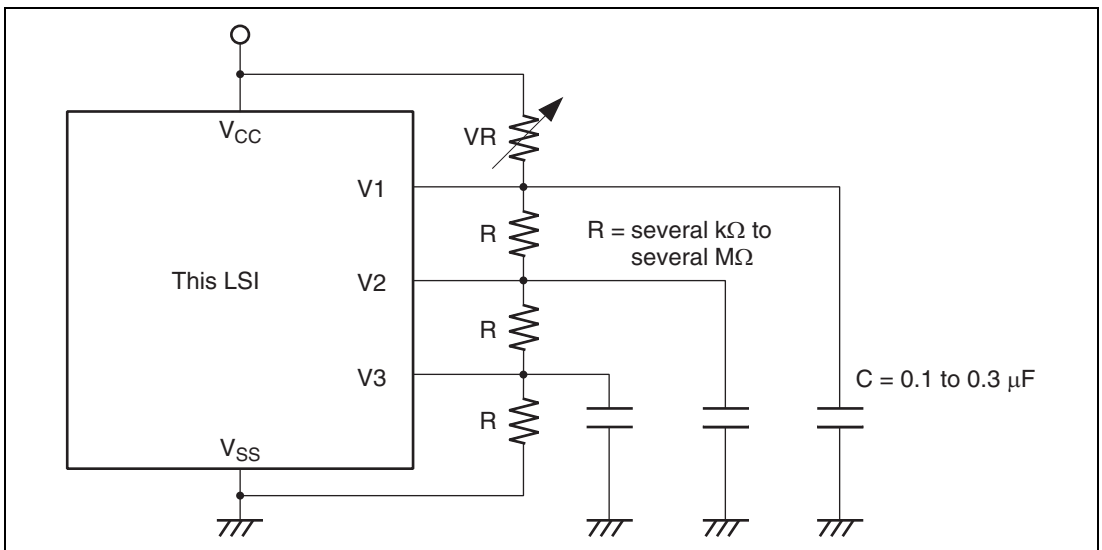
**Table 17.6 Power-Down Modes and Display Operation**

Mode	Reset	Active	Sleep	Watch	Subactive	Subsleep	Software Standby	Hardware standby	Module Stop
Clock	$\phi$	Runs	Runs	Runs	Stops	Stops	Stops	Stops	Stops* <sup>4</sup>
	$\phi_{SUB}$	Runs	Runs	Runs	Runs	Runs	Runs	Stops* <sup>1</sup>	Stops* <sup>4</sup>
Display operation	ACT = 0	Stops	Stops	Stops	Stops	Stops	Stops	Stops* <sup>2</sup>	Stops
	ACT = 1	Stops	Functions	Functions	Functions* <sup>3</sup>	Functions* <sup>3</sup>	Functions* <sup>3</sup>	Stops* <sup>2</sup>	Stops

- Notes:
1. The subclock oscillator does not stop, but clock supply is halted.
  2. The LCD drive power supply is turned off regardless of the setting of the PSW bit.
  3. Display operation is performed only if  $\phi_{SUB}$ ,  $\phi_{SUB}/2$ , or  $\phi_{SUB}/4$  is selected as the operating clock.
  4. The clock supplied to the LCD stops.

#### 17.4.4 Boosting the LCD Drive Power Supply

When a large panel is driven, the on-chip power supply capacity may be insufficient. In this case, the power supply impedance must be reduced. This can be done by connecting bypass capacitors of around 0.1 to 0.3  $\mu\text{F}$  to pins V1 to V3, as shown in figure 17.9, or by adding a split-resistance externally.

**Figure 17.9 Connection of External Split-Resistance**

## Section 18 RAM

This LSI has an 8-kbyte on-chip high-speed static RAM. The RAM is connected to the CPU by a 16-bit data bus, enabling one-state access by the CPU to both byte data and word data.

The on-chip RAM can be enabled or disabled by means of the RAME bit in the system control register (SYSCR). For details on SYSCR, see section 3.2.2, System Control Register (SYSCR).



## Section 19 ROM

The features of the flash memory are summarized below.

The block diagram of the flash memory is shown in figure 19.1.

### 19.1 Features

- Size

Product Type	ROM Size	ROM Address
H8S/2649F	256 kbytes	H'000000 to H'03FFFF

- Programming/erase methods

The flash memory is programmed in 128-byte units at a time. Erase is performed in single-block units. The flash memory is configured as follows: 64 kbytes  $\times$  3 blocks, 32 kbytes  $\times$  1 block, and 4 kbytes  $\times$  8 blocks. To erase the entire flash memory, each block must be erased in turn.

- Reprogramming capability

The flash memory can be reprogrammed for 100 times.

- Two on-board programming modes

Boot mode

User program mode

On-board programming/erasing can be done in boot mode, in which the boot program built into the chip is started to erase or program the entire flash memory. In normal user program mode, individual blocks can be erased or programmed.

- Programmer mode

Flash memory can be programmed/erased in programmer mode using a PROM programmer, as well as in on-board programming mode.

- Automatic bit rate adjustment

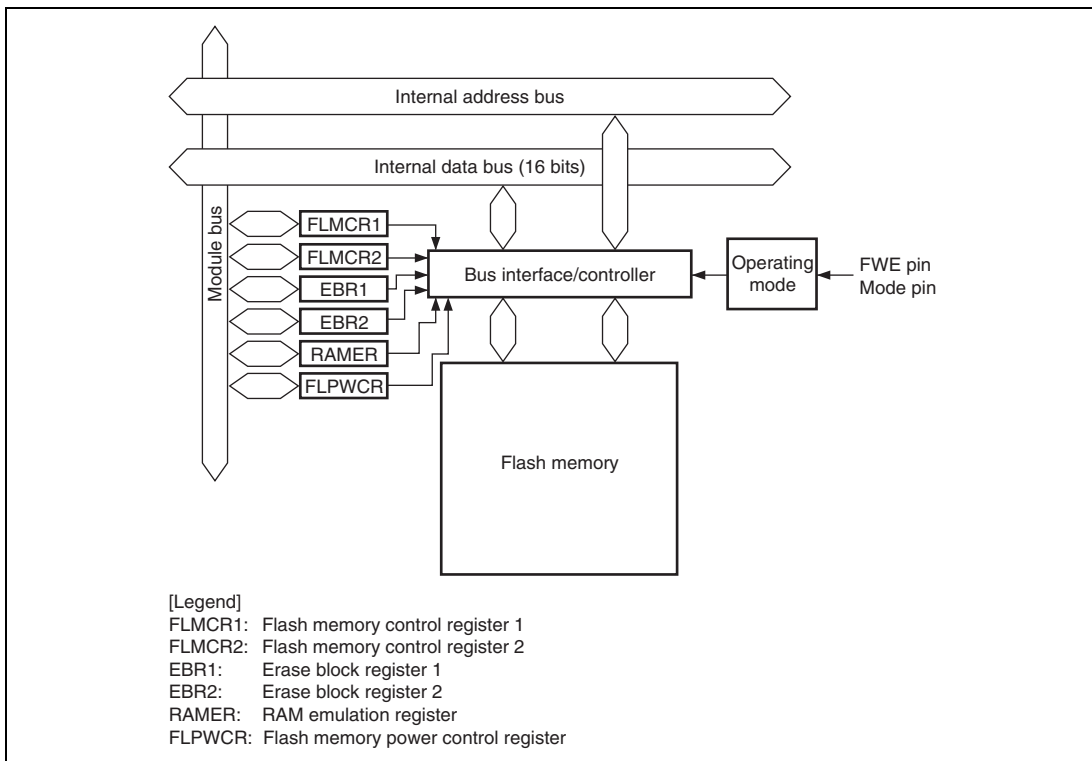
For data transfer in boot mode, this LSI's bit rate can be automatically adjusted to match the transfer bit rate of the host.

- Programming/erasing protection

There are three protect modes, hardware, software, and error protect, which allow protected status to be designated for flash memory program/erase operations.

- Emulation function for flash memory in RAM

The real-time emulation for programming of flash memory is possible by overlapping the flash memory to a part of RAM.



**Figure 19.1 Block Diagram of Flash Memory**

## 19.2 Mode Transitions

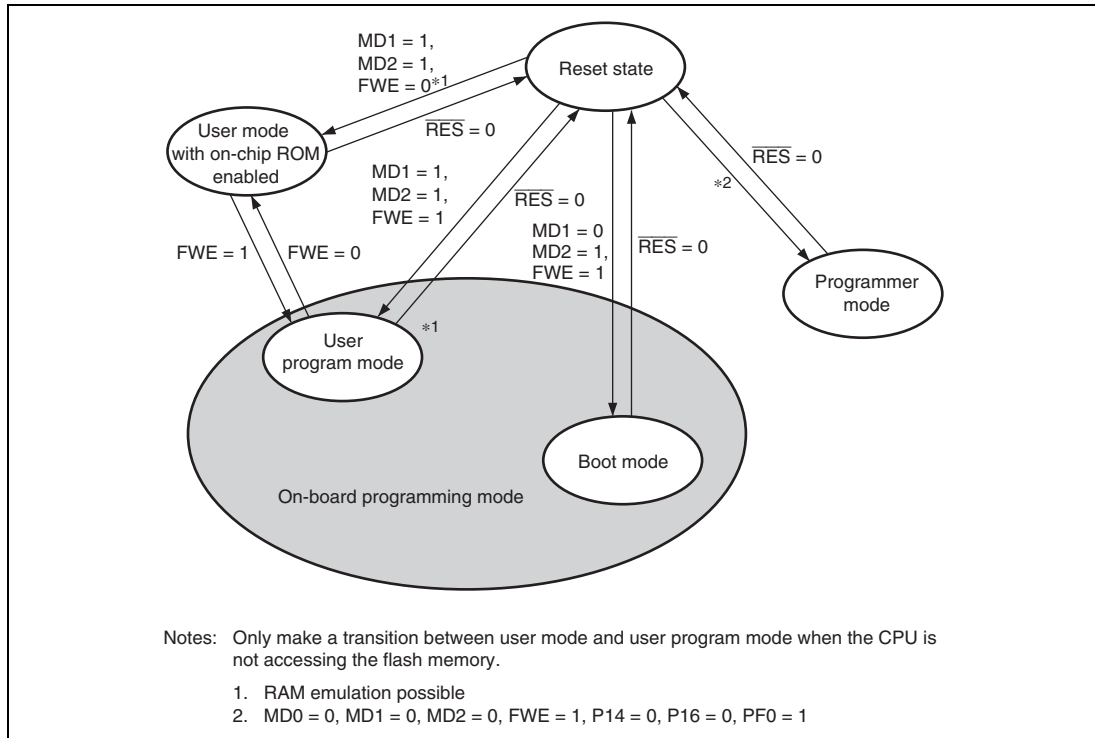
When the mode pins and the FWE pin are set in the reset state and a reset-start is executed, this LSI enters an operating mode as shown in figure 19.2. In user mode, flash memory can be read but not programmed or erased.

The boot, user program, and programmer modes are provided as modes to program and erase the flash memory.

The differences between boot mode and user program mode are shown in table 19.1.



Figure 19.3 shows the operation flow for boot mode and figure 19.4 shows that for user program mode.



**Figure 19.2 Flash Memory State Transitions**

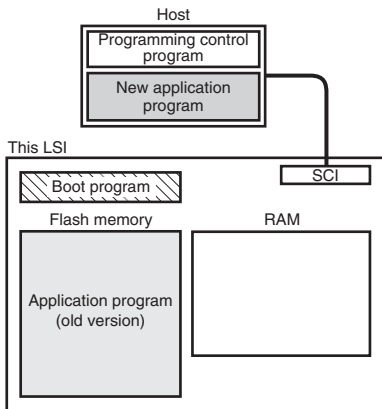
**Table 19.1 Differences between Boot Mode and User Program Mode**

	<b>Boot Mode</b>	<b>User Program Mode</b>
Entire erase	Yes	Yes
Block erase	No	Yes
Programming control program*	Program/program-verify	Program/program-verify/erase/erase-verify/emulation

Note: \* To be provided by the user, in accordance with the recommended algorithm.

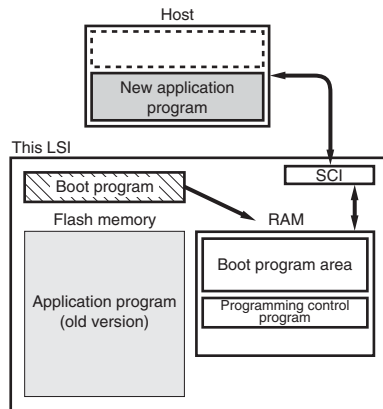
## 1. Initial state

The old program version or data remains written in the flash memory. The user should prepare the programming control program and new application program beforehand in the host.



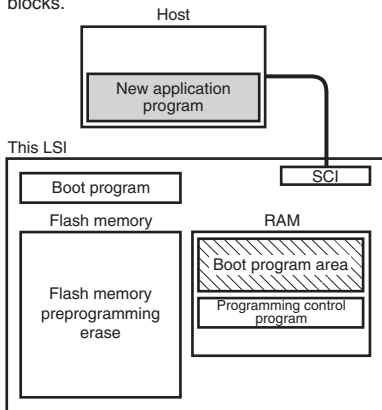
## 2. Programming control program transfer

When boot mode is entered, the boot program in this LSI (originally incorporated in the chip) is started and the programming control program in the host is transferred to RAM via SCI communication. The boot program required for flash memory erasing is automatically transferred to the RAM boot program area.



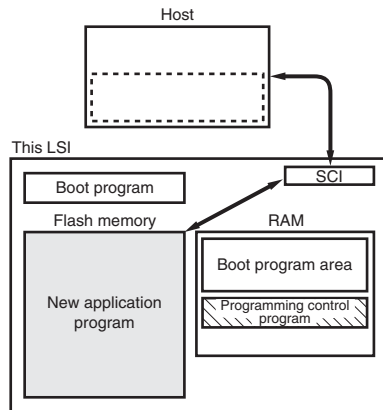
## 3. Flash memory initialization


The erase program in the boot program area (in RAM) is executed, and the flash memory is initialized (to H'FF). In boot mode, total flash memory erasure is performed, without regard to blocks.



## 4. Writing new application program

The programming control program transferred from the host to RAM is executed, and the new application program in the host is written into the flash memory.

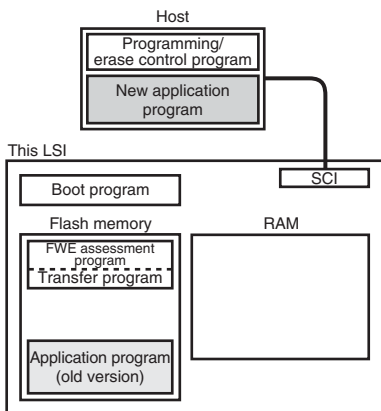


 Program execution state

**Figure 19.3 Boot Mode**

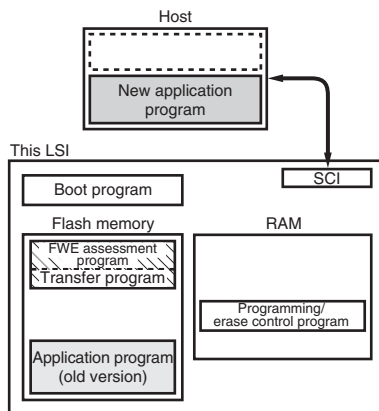
## 1. Initial state

The FWE assessment program that confirms that user program mode has been entered, and the program that will transfer the programming/erase control program from flash memory to on-chip RAM should be written into the flash memory by the user beforehand. The programming/erase control program should be prepared in the host or in the flash memory.



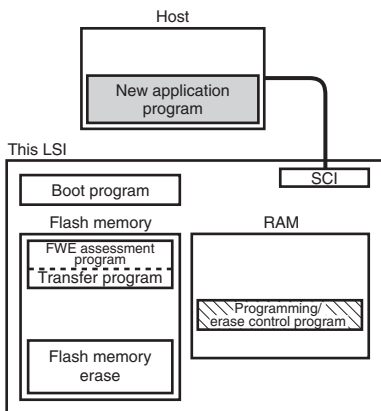
## 2. Programming/erase control program transfer

When user program mode is entered, user software confirms this fact, executes transfer program in the flash memory, and transfers the programming/erase control program to RAM.



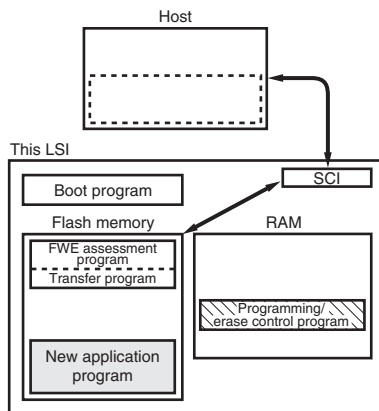
## 3. Flash memory initialization


The programming/erase program in RAM is executed, and the flash memory is initialized (to H'FF). Erasing can be performed in block units, but not in byte units.



## 4. Writing new application program

Next, the new application program in the host is written into the erased flash memory blocks. Do not write to unerased blocks.



 Program execution state

**Figure 19.4 User Program Mode (Example)**

### 19.3 Block Configuration

Figure 19.5 shows the block configuration of 256-kbyte flash memory. The thick lines indicate erasing units, the narrow lines indicate programming units, and the values are addresses. The flash memory is divided into 4 kbytes (8 blocks), 32 kbytes (1 block), and 64 kbytes (3 blocks). Erasing is performed in these units. Programming is performed in 128-byte units starting from an address with lower eight bits H'00 or H'80.

EB0 Erase unit 4 kbytes	H'000000	H'000001	H'000002	← Programming unit: 128 bytes →	H'00007F
					H'000FFF
EB1 Erase unit 4 kbytes	H'001000	H'001001	H'001002	← Programming unit: 128 bytes →	H'00107F
					H'001FFF
EB2 Erase unit 4 kbytes	H'002000	H'002001	H'002002	← Programming unit: 128 bytes →	H'00207F
					H'002FFF
EB3 Erase unit 4 kbytes	H'003000	H'003001	H'003002	← Programming unit: 128 bytes →	H'00307F
					H'003FFF
EB4 Erase unit 4 kbytes	H'004000	H'004001	H'004002	← Programming unit: 128 bytes →	H'00407F
					H'004FFF
EB5 Erase unit 4 kbytes	H'005000	H'005001	H'005002	← Programming unit: 128 bytes →	H'00507F
					H'005FFF
EB6 Erase unit 4 kbytes	H'006000	H'006001	H'006002	← Programming unit: 128 bytes →	H'00607F
					H'006FFF
EB7 Erase unit 4 kbytes	H'007000	H'007001	H'007002	← Programming unit: 128 bytes →	H'00707F
					H'007FFF
EB8 Erase unit 32 kbytes	H'008000	H'008001	H'008002	← Programming unit: 128 bytes →	H'00807F
					H'00FFFF
EB9 Erase unit 64 kbytes	H'010000	H'010001	H'010002	← Programming unit: 128 bytes →	H'01007F
					H'01FFFF
EB10 Erase unit 64 kbytes	H'020000	H'020001	H'020002	← Programming unit: 128 bytes →	H'02007F
					H'02FFFF
EB11 Erase unit 64 kbytes	H'030000	H'030001	H'030002	← Programming unit: 128 bytes →	H'03007F
					H'03FFFF

**Figure 19.5 Flash Memory Block Configuration**

## 19.4 Input/Output Pins

The flash memory is controlled by means of the pins shown in table 19.2.

**Table 19.2 Pin Configuration**

Pin Name	I/O	Function
RES	Input	Reset
FWE	Input	Flash program/erase protection by hardware
MD2	Input	Sets this LSI's operating mode
MD1	Input	Sets this LSI's operating mode
MD0	Input	Sets this LSI's operating mode
PF0	Input	Sets MCU operating mode in programmer mode
P16	Input	Sets MCU operating mode in programmer mode
P14	Input	Sets MCU operating mode in programmer mode
TxD0	Output	Serial transmit data output
RxD0	Input	Serial receive data input

## 19.5 Register Descriptions

The flash memory has the following registers.

- Flash memory control register 1 (FLMCR1)
- Flash memory control register 2 (FLMCR2)
- Erase block register 1 (EBR1)
- Erase block register 2 (EBR2)
- RAM emulation register (RAMER)
- Flash memory power control register (FLPWCR)

### 19.5.1 Flash Memory Control Register 1 (FLMCR1)

FLMCR1 is a register that makes the flash memory change to program mode, program-verify mode, erase mode, or erase-verify mode. For details on register setting, see section 19.8, Flash Memory Programming/Erasing.

Bit	Bit Name	Initial Value	R/W	Description
7	FWE	—	R	Flash Write Enable Bit  Reflects the input level at the FWE pin. It is set to 1 when a low level is input to the FWE pin, and cleared to 0 when a high level is input. When this bit is cleared to 0, the flash memory changes to hardware protect mode.
6	SWE	0	R/W	Software Write Enable Bit  When this bit is set to 1 while FWE = 1, flash memory programming/erasing is enabled. When this bit is cleared to 0, bits 5 to 0 in FLMCR1 and all EBR1 and EBR2 bits cannot be set.
5	ESU	0	R/W	Erase Setup Bit  When this bit is set to 1, the flash memory changes to the erase setup state. When it is cleared to 0, the erase setup state is cancelled. Set this bit to 1 before setting the E bit in FLMCR1.
4	PSU	0	R/W	Program Setup Bit  When this bit is set to 1, the flash memory changes to the program setup state. When it is cleared to 0, the program setup state is cancelled. Set this bit to 1 before setting the P bit in FLMCR1.
3	EV	0	R/W	Erase-Verify  When this bit is set to 1, the flash memory changes to erase-verify mode. When it is cleared to 0, erase-verify mode is cancelled.
2	PV	0	R/W	Program-Verify  When this bit is set to 1, the flash memory changes to program-verify mode. When it is cleared to 0, program-verify mode is cancelled.

Bit	Bit Name	Initial Value	R/W	Description
1	E	0	R/W	Erase When this bit is set to 1, the flash memory changes to erase mode. When it is cleared to 0, erase mode is cancelled.
0	P	0	R/W	Program When this bit is set to 1, and while the SWE and PSU bits are 1, the flash memory changes to program mode. When it is cleared to 0, program mode is cancelled.

### 19.5.2 Flash Memory Control Register 2 (FLMCR2)

FLMCR2 is a register that displays the state of flash memory programming/erasing. FLMCR2 is a read-only register, and should not be written to.

Bit	Bit Name	Initial Value	R/W	Description
7	FLER	0	R	Flash Memory Error Indicates that an error has occurred during an operation on flash memory (programming or erasing). When FLER is set to 1, flash memory goes to the error-protection state. See section 19.9.3, Error Protection, for details.
6 to 0	—	All 0	R	Reserved These bits are always read as 0.



### 19.5.3 Erase Block Register 1 (EBR1)

EBR1 specifies the flash memory erase area block. EBR1 is initialized to H'00 when the SWE bit in FLMCR1 is 0. Do not set more than one bit at a time, as this will cause all the bits in EBR1 and EBR2 to be automatically cleared to 0.

Bit	Bit Name	Initial Value	R/W	Description
7	EB7	0	R/W	When this bit is set to 1, 4 kbytes of EB7 (H'007000 to H'007FFF) will be erased.
6	EB6	0	R/W	When this bit is set to 1, 4 kbytes of EB6 (H'006000 to H'006FFF) will be erased.
5	EB5	0	R/W	When this bit is set to 1, 4 kbytes of EB5 (H'005000 to H'005FFF) will be erased.
4	EB4	0	R/W	When this bit is set to 1, 4 kbytes of EB4 (H'004000 to H'004FFF) will be erased.
3	EB3	0	R/W	When this bit is set to 1, 4 kbytes of EB3 (H'003000 to H'003FFF) will be erased.
2	EB2	0	R/W	When this bit is set to 1, 4 kbytes of EB2 (H'002000 to H'002FFF) will be erased.
1	EB1	0	R/W	When this bit is set to 1, 4 kbytes of EB1 (H'001000 to H'001FFF) will be erased.
0	EB0	0	R/W	When this bit is set to 1, 4 kbytes of EB0 (H'000000 to H'000FFF) will be erased.

### 19.5.4 Erase Block Register 2 (EBR2)

EBR2 specifies the flash memory erase area block. EBR2 is initialized to H'00 when the SWE bit in FLMCR1 is 0. Do not set more than one bit at a time, as this will cause all the bits in EBR1 and EBR2 to be automatically cleared to 0.

Bit	Bit Name	Initial Value	R/W	Description
7 to 4	—	All 0	R/W	Reserved The write value should always be 0.
3	EB11	0	R/W	When this bit is set to 1, 64 kbytes of EB11 (H'030000 to H'03FFFF) will be erased.
2	EB10	0	R/W	When this bit is set to 1, 64 kbytes of EB10 (H'020000 to H'02FFFF) will be erased.
1	EB9	0	R/W	When this bit is set to 1, 64 kbytes of EB9 (H'010000 to H'01FFFF) will be erased.
0	EB8	0	R/W	When this bit is set to 1, 32 kbytes of EB8 (H'008000 to H'00FFFF) will be erased.

### 19.5.5 RAM Emulation Register (RAMER)

RAMER specifies the area of flash memory to be overlapped with part of RAM when emulating real-time flash memory programming. RAMER settings should be made in user mode or user program mode. To ensure correct operation of the emulation function, the ROM for which RAM emulation is performed should not be accessed immediately after this register has been modified. Normal execution of an access immediately after register modification is not guaranteed.

Bit	Bit Name	Initial Value	R/W	Description
7 to 5	—	All 0	R	Reserved These bits are always read as 0.
4	—	0	R/W	Reserved Always write 0 before read.
3	RAMS	0	R/W	RAM Select Specifies selection or non-selection of flash memory emulation in RAM. When RAMS = 1, the flash memory is overlapped with part of RAM, and all flash memory block are program/erase-protected.

Bit	Bit Name	Initial Value	R/W	Description
2	RAM2	0	R/W	Flash Memory Area Selection
1	RAM1	0	R/W	When the RAMS bit is set to 1, one of the following flash memory areas is selected to overlap the RAM area. The areas correspond with 4-kbyte erase blocks. 000: H'000000 to H'000FFF (EB0) 001: H'001000 to H'001FFF (EB1) 010: H'002000 to H'002FFF (EB2) 011: H'003000 to H'003FFF (EB3) 100: H'004000 to H'004FFF (EB4) 101: H'005000 to H'005FFF (EB5) 110: H'006000 to H'006FFF (EB6) 111: H'007000 to H'007FFF (EB7)
0	RAM0	0	R/W	

### 19.5.6 Flash Memory Power Control Register (FLPWCR)

FLPWCR enables/disables transition to power-down modes for the flash memory when this LSI enters sub-active mode.

Bit	Bit Name	Initial Value	R/W	Description
7	PDWND	0	R/W	Power Down Disable Enables/disables transition to power-down modes for the flash memory when this LSI enters sub-active mode. 0: Transition to power-down modes for the flash memory enabled. 1: Transition to power-down modes for the flash memory disabled.
6 to 0	—	All 0	R	Reserved These bits are always read as 0.

## 19.6 On-Board Programming Modes

When pins are set to on-board programming mode, program/erase/verify operations can be performed on the on-chip flash memory. There are two on-board programming modes: boot mode and user program mode. The pin settings for transition to each of these modes are shown in table 19.3. For a diagram of the transitions to the various flash memory modes, see figure 19.2.

**Table 19.3 Setting On-Board Programming Modes**

Mode Setting		FWE	MD2	MD1	MD0
Boot mode	Expanded mode	1	0	1	0
	Single-chip mode		0	1	1
User program mode	Expanded mode	1	1	1	0
	Single-chip mode		1	1	1

### 19.6.1 Boot Mode

Table 19.4 shows the boot mode operations between reset end and branching to the programming control program.

1. When boot mode is used, the flash memory programming control program must be prepared in the host beforehand. Prepare a programming control program in accordance with the description in section 19.8, Flash Memory Programming/Erasing.

In boot mode, if any data has been programmed into the flash memory (if all data is not 1), all flash memory blocks are erased. Boot mode is for use when user program mode is unavailable, such as the first time on-board programming is performed, or if the program activated in user program mode is accidentally erased.

2. SCI\_1 should be set to asynchronous mode, and the transfer format as follows: 8-bit data, 1 stop bit, and no parity.
3. When the boot program is initiated, the chip measures the low-level period of asynchronous SCI communication data (H'00) transmitted continuously from the host. The chip then calculates the bit rate of transmission from the host, and adjusts the SCI\_1 bit rate to match that of the host. The reset should end with the RxD pin high. The RxD and TxD pins should be pulled up on the board if necessary. After the reset is complete, it takes approximately 100 states before the chip is ready to measure the low-level period.

4. After matching the bit rates, the chip transmits one H'00 byte to the host to indicate the completion of bit rate adjustment. The host should confirm that this adjustment end indication (H'00) has been received normally, and transmit one H'55 byte to the chip. If reception could not be performed normally, initiate boot mode again by a reset. Depending on the host's transfer bit rate and system clock frequency of this LSI, there will be a discrepancy between the bit rates of the host and the chip. To operate the SCI properly, set the host's transfer bit rate and system clock frequency of this LSI within the ranges listed in table 19.5.
5. In boot mode, a part of the on-chip RAM area is used by the boot program. The area H'FFE800 to H'FFEFBF is the area to which the programming control program is transferred from the host. The boot program area cannot be used until the execution state in boot mode switches to the programming control program.
6. Before branching to the programming control program, the chip terminates transfer operations by SCI\_1 (by clearing the RE and TE bits in SCR to 0), however the adjusted bit rate value remains set in BRR. Therefore, the programming control program can still use it for transfer of write data or verify data with the host. The TxD pin is high. The contents of the CPU general registers are undefined immediately after branching to the programming control program. These registers must be initialized at the beginning of the programming control program, as the stack pointer (SP), in particular, is used implicitly in subroutine calls, etc.
7. Boot mode can be cleared by driving the reset pin low, waiting at least 20 states, then setting the FWE pin and mode pins, and executing reset release. Boot mode is also cleared when a WDT overflow occurs.
8. All interrupts are disabled during programming or erasing of the flash memory.

**Table 19.4 Boot Mode Operation**

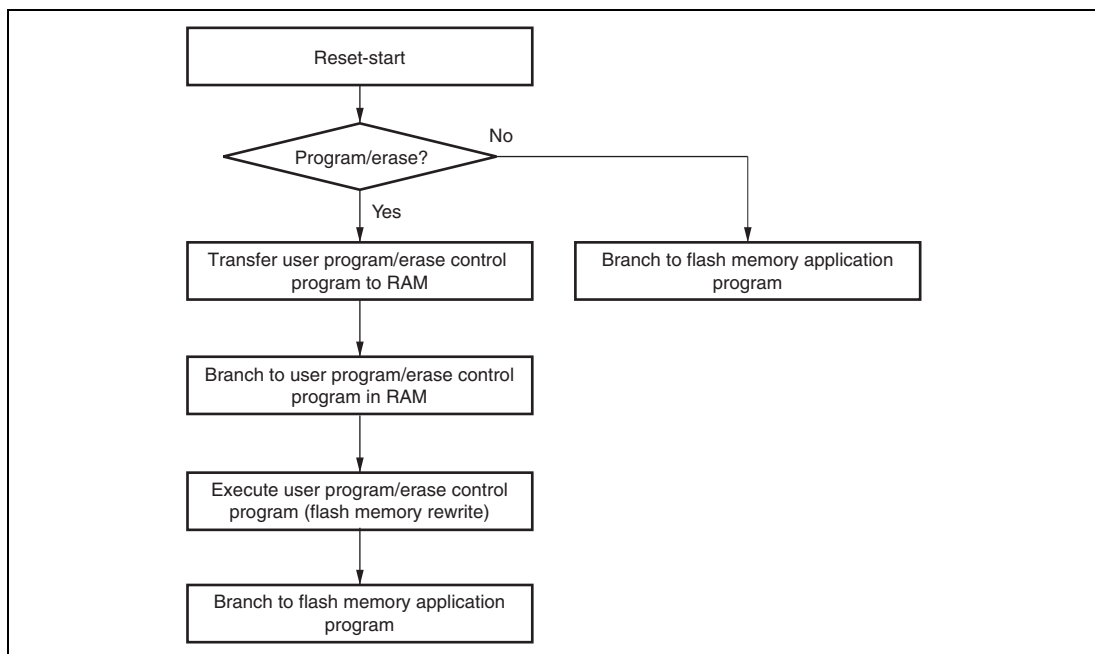
Item	Host Operation	Communications Contents	LSI Operation
	Processing Contents		Processing Contents
Boot mode start			Branches to boot program at reset-start.  <div style="border: 1px solid black; border-radius: 15px; padding: 5px; display: inline-block;">Boot program initiation</div>
Bit rate adjustment	Continuously transmits data H'00 at specified bit rate.	H'00, H'00 ..... H'00	<ul style="list-style-type: none"> <li>· Measures low-level period of receive data H'00.</li> <li>· Calculates bit rate and sets it in BRR of SCL_1.</li> <li>· Transmits data H'00 to host as adjustment end indication.</li> </ul>
	Transmits data H'55 when data H'00 is received error-free.	H'00 H'55	
	Receives data H'AA.	H'AA	
Transfer of programming control program	Transmits number of bytes (N) of programming control program to be transferred as 2-byte data (lower byte following upper byte)	Upper byte and lower byte	<ul style="list-style-type: none"> <li>· Echobacks the 2-byte data received.</li> <li>· Echobacks received data to host and also transfers it to RAM (repeated for N times)</li> </ul>
	Transmits 1-byte of programming control program (repeated for N times)	H'XX Echoback	
Flash memory erase	Boot program erase error	H'FF	<ul style="list-style-type: none"> <li>· Checks flash memory data, erases all flash memory blocks in case of written data existing, and transmits data H'AA to host. (If erase could not be done, transmits data H'FF to host and aborts operation.)</li> </ul>
	Receives data H'AA.	H'AA	
			Branches to programming control program transferred to on-chip RAM and starts execution.

**Table 19.5 System Clock Frequencies for which Automatic Adjustment of LSI Bit Rate is Possible**

Host Bit Rate	System Clock Frequency Range of this LSI
19,200 bps	20 MHz
9,600 bps	8 to 20 MHz
4,800 bps	4 to 20 MHz

## 19.6.2 Programming/Erasing in User Program Mode

On-board programming/erasing of an individual flash memory block can also be performed in user program mode by branching to a user program/erase control program. The user must prepare on-board means for controlling FWE, on-board means of supplying programming data, and branching conditions. The flash memory must contain the user program/erase control program or a program that provides the user program/erase control program from external memory. As the flash memory itself cannot be read during programming/erasing, transfer the user program/erase control program to on-chip RAM, as in boot mode. Figure 19.6 shows a sample procedure for programming/erasing in user program mode. Prepare a user program/erase control program in accordance with the description in section 19.8, Flash Memory Programming/Erasing.

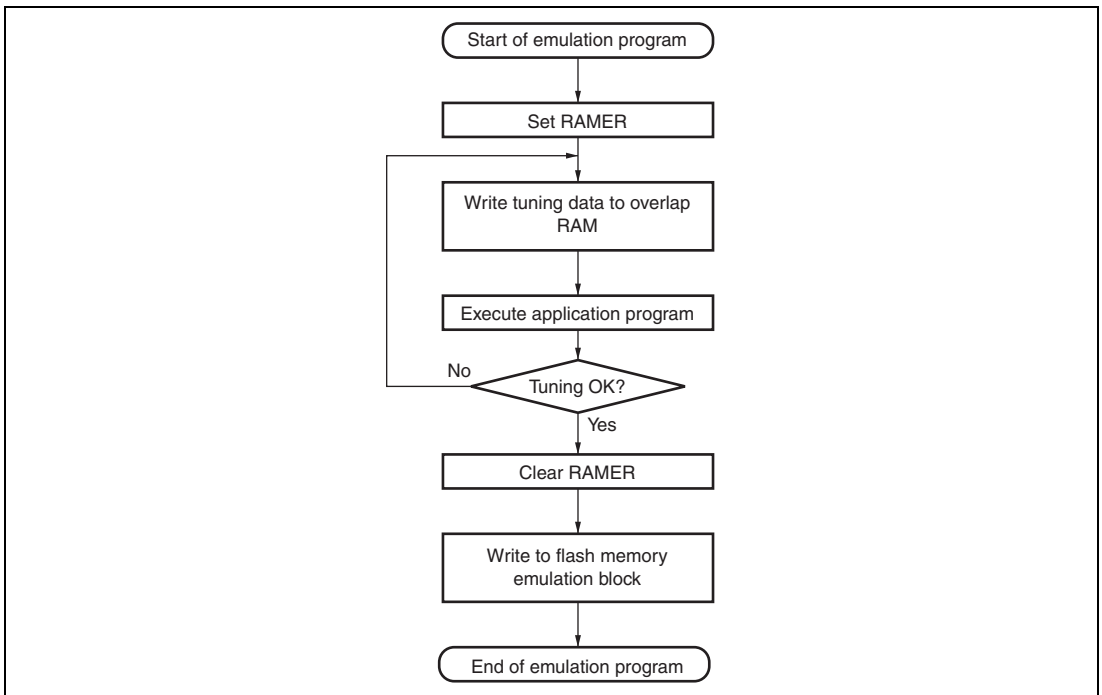


**Figure 19.6 Programming/Erasing Flowchart Example in User Program Mode**

## 19.7 Flash Memory Emulation in RAM

A setting in the RAM emulation register (RAMER) enables part of RAM to be overlapped onto the flash memory area so that data to be written to flash memory can be emulated in RAM in real time. Emulation can be performed in user mode or user program mode. Figure 19.7 shows an example of emulation of real-time flash memory programming.

1. Set RAMER to overlap part of RAM onto the area for which real-time programming is required.
2. Emulation is performed using the overlapping RAM.
3. After the program data has been confirmed, the RAMS bit is cleared, thus releasing the RAM overlap.
4. The data written in the overlapping RAM is written into the flash memory space.



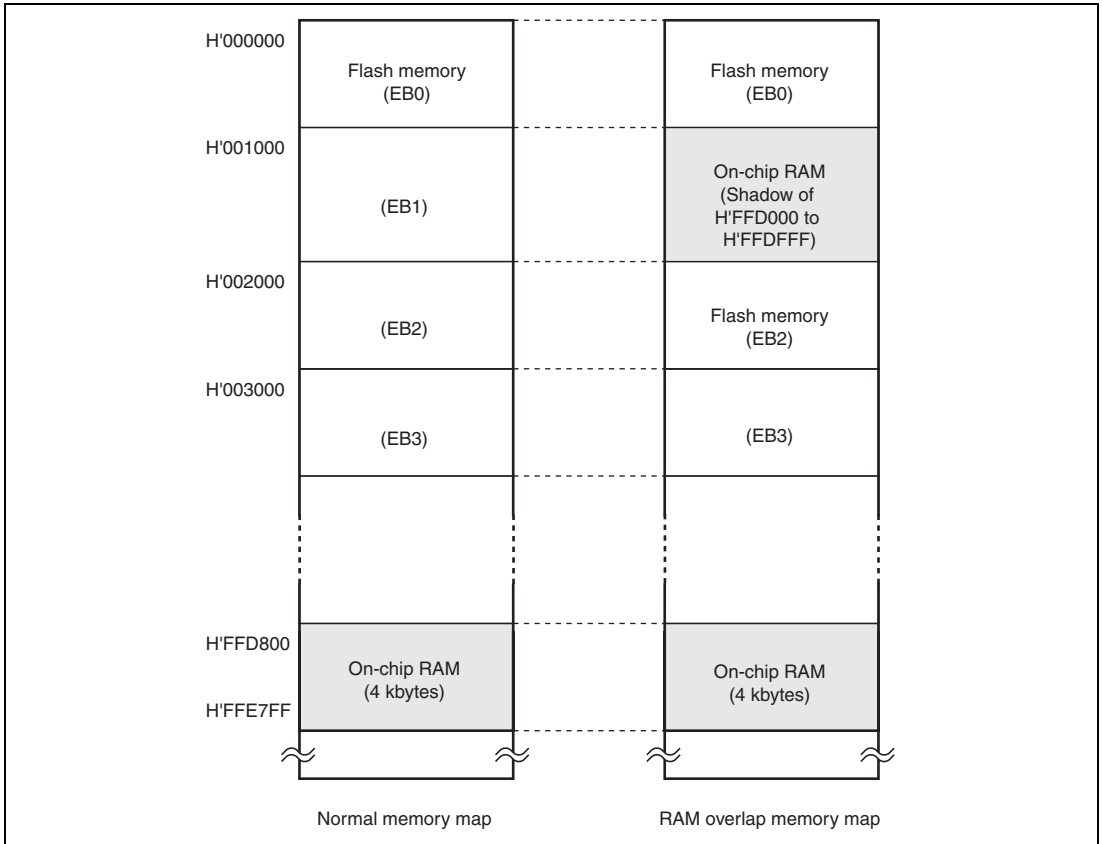
**Figure 19.7 Flowchart for Flash Memory Emulation in RAM**



---

An example in which flash memory block area EB0 is overlapped is shown in figure 19.8.

1. The RAM area to be overlapped is fixed at a 4-kbyte area in the range H'FFD800 to H'FFE7FF.
2. The flash memory area to be overlapped is selected by RAMER from a 4-kbyte area of the EB0 to EB7 blocks.
3. The overlapped RAM area can be accessed from both the flash memory addresses and RAM addresses.
4. When the RAMS bit in RAMER is set to 1, program/erase protection is enabled for all flash memory blocks (emulation protection). In this state, setting the P or E bit in FLMCR1 to 1 does not cause a transition to program mode or erase mode.
5. A RAM area cannot be erased by execution of software in accordance with the erase algorithm.
6. Block area EB0 contains the vector table. When performing RAM emulation, the vector table is needed in the overlap RAM.



**Figure 19.8 Example of RAM Overlap Operation**

## 19.8 Flash Memory Programming/Erasing

A software method using the CPU is employed to program and erase flash memory in the on-board programming modes. Depending on the FLMCR1 setting, the flash memory operates in one of the following four modes: Program mode, program-verify mode, erase mode, and erase-verify mode. The programming control program in boot mode and the user program/erase control program in user program mode use these operating modes in combination to perform programming/erasing. Flash memory programming and erasing should be performed in accordance with the descriptions in section 19.8.1, Program/Program-Verify and section 19.8.2, Erase/Erase-Verify, respectively.

### 19.8.1 Program/Program-Verify

When writing data or programs to the flash memory, the program/program-verify flowchart shown in figure 19.9 should be followed. Performing programming operations according to this flowchart will enable data or programs to be written to the flash memory without subjecting the chip to voltage stress or sacrificing program data reliability.

1. Programming must be done to an empty address. Do not reprogram an address to which programming has already been performed.
2. Programming should be carried out 128 bytes at a time. A 128-byte data transfer must be performed even if writing fewer than 128 bytes. In this case, H'FF data must be written to the extra addresses.
3. Prepare the following data storage areas in RAM: A 128-byte programming data area, a 128-byte reprogramming data area, and a 128-byte additional-programming data area. Perform reprogramming data computation and additional programming data computation according to figure 19.10.
4. Consecutively transfer 128 bytes of data in byte units from the reprogramming data area or additional-programming data area to the flash memory. The program address and 128-byte data are latched in the flash memory. The lower 8 bits of the start address in the flash memory destination area must be H'00 or H'80.
5. The time during which the P bit is set to 1 is the programming time. Figure 19.10 shows the allowable programming times.
6. The watchdog timer (WDT) is set to prevent overprogramming due to program runaway, etc. Set a value greater than  $(t_{psu} + t_{sp200} + t_{cp} + t_{cpsu}) \mu s$  as the WDT overflow period.
7. For a dummy write to a verify address, write 1-byte data H'FF to an address whose lower 2 bits are B'00. Verify data can be read in words from the address to which a dummy write was performed.

8. The maximum number of repetitions of the program/program-verify sequence of the same bit is (N).

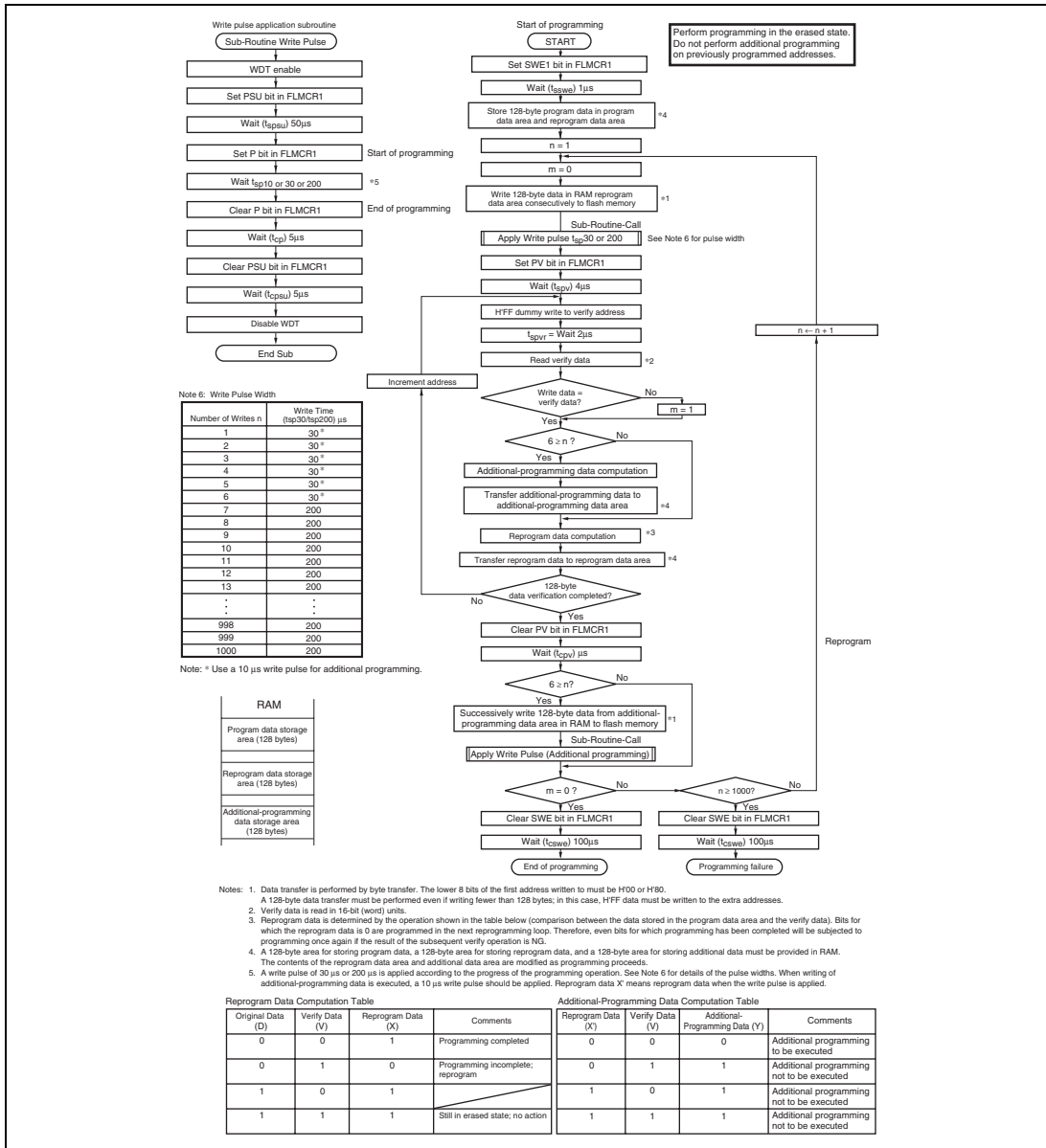


Figure 19.9 Program/Program-Verify Flowchart

### 19.8.2 Erase/Erase-Verify

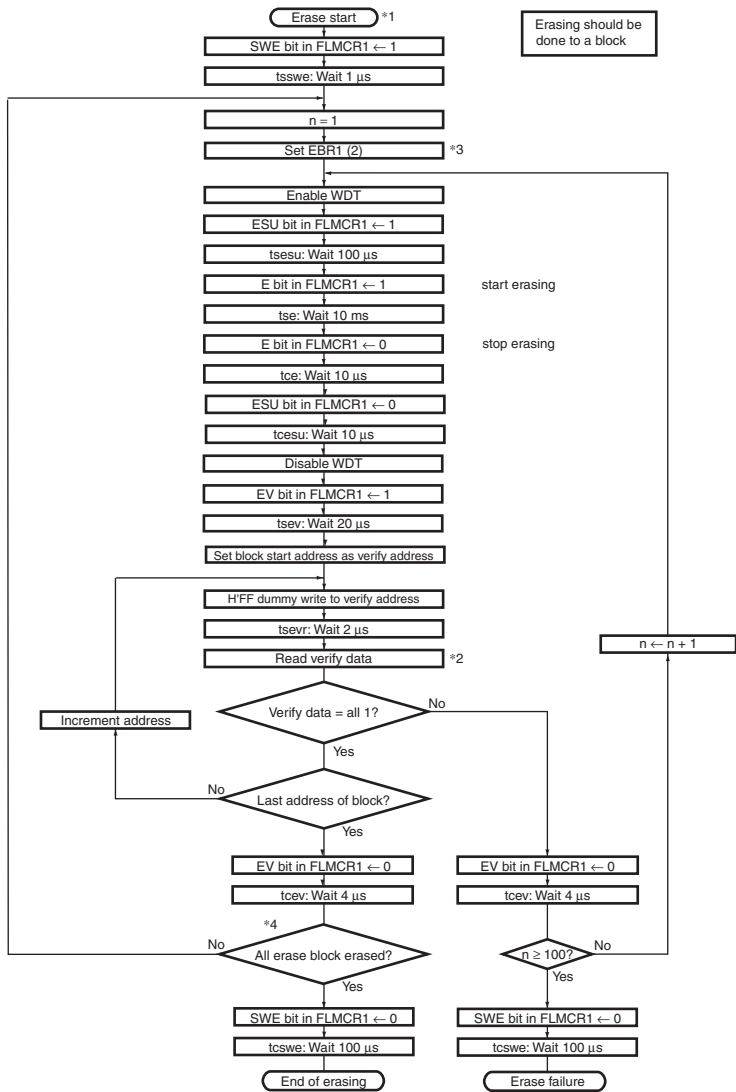
When erasing flash memory, the erase/erase-verify flowchart shown in figure 19.10 should be followed.

1. Prewriting (setting erase block data to all 0) is not necessary.
2. Erasing is performed in block units. Make only a single-bit specification in the erase block register 1 and 2 (EBR1 and EBR2). To erase multiple blocks, each block must be erased in turn.
3. The time during which the E bit is set to 1 is the flash memory erase time.
4. The watchdog timer (WDT) is set to prevent overprogramming due to program runaway, etc. Set a value greater than  $(t_{\text{sesu}} + t_{\text{se}} + t_{\text{ce}} + t_{\text{cesu}})$  ms as the WDT overflow period.
5. For a dummy write to a verify address, write 1-byte data H'FF to an address whose lower two bits are B'00. Verify data can be read in words from the address to which a dummy write was performed.
6. If the read data is not erased successfully, set erase mode again, and repeat the erase/erase-verify sequence as before. The maximum number of repetitions of the erase/erase-verify sequence is (N).

### 19.8.3 Interrupt Handling when Programming/Erasing Flash Memory

All interrupts, including the  $\overline{\text{NMI}}$  interrupt, are disabled while flash memory is being programmed or erased, or while the boot program is executing, for the following three reasons:

1. Interrupt during programming/erasing may cause a violation of the programming or erasing algorithm, with the result that normal operation cannot be assured.
2. If interrupt exception handling starts before the vector address is written or during programming/erasing, a correct vector cannot be fetched and the CPU malfunctions.
3. If an interrupt occurs during boot program execution, normal boot mode sequence cannot be carried out.



- Notes:
1. Pre-writing (all erase block data are cleared to 0) is not necessary.
  2. Verify data is read out in 16 bit size (word access).
  3. Erasing block register (EBR) can be set about 1 bit at a time.  
Do not specify 2 bits or more.
  4. Erasing is performed block by block. when multiple blocks must be erased, erase each lock one by one.

**Figure 19.10 Erase/Eraser-Verify Flowchart**

## 19.9 Program/Erase Protection

There are three kinds of flash memory program/erase protection; hardware protection, software protection, and error protection.

### 19.9.1 Hardware Protection

Hardware protection refers to a state in which programming/erasing of flash memory is forcibly disabled or aborted because of a transition to reset or standby mode. Flash memory control register 1 (FLMCR1), flash memory control register 2 (FLMCR2), erase block register 1 (EBR1), and erase block register 2 (EBR2) are initialized. In a reset via the  $\overline{\text{RES}}$  pin, the reset state is not entered unless the  $\overline{\text{RES}}$  pin is held low until oscillation stabilizes after powering on. In the case of a reset during operation, hold the  $\overline{\text{RES}}$  pin low for the  $\overline{\text{RES}}$  pulse width specified in the AC Characteristics section.

### 19.9.2 Software Protection

Software protection can be implemented against programming/erasing of all flash memory blocks by clearing the SWE bit in FLMCR1. When software protection is in effect, setting the P or E bit in FLMCR1 does not cause a transition to program mode or erase mode. By setting the erase block register 1 and 2 (EBR1 and EBR2), erase protection can be set for individual blocks. When EBR1 and EBR2 are set to H'00, erase protection is set for all blocks. By setting bit RAMS in RAMER, programming/erase protection is set for all blocks.

### 19.9.3 Error Protection

In error protection, an error is detected when CPU runaway occurs during flash memory programming/erasing, or operation is not performed in accordance with the program/erase algorithm, and the program/erase operation is aborted. Aborting the program/erase operation prevents damage to the flash memory due to overprogramming or overerasing.

When the following errors are detected during programming/erasing of flash memory, the FLER bit in FLMCR2 is set to 1, and the error protection state is entered.

- When the flash memory of the relevant address area is read during programming/erasing (including vector read and instruction fetch)
- Immediately after exception handling (excluding a reset) during programming/erasing
- When a SLEEP instruction is executed during programming/erasing
- When the CPU loses the bus during programming/erasing

The FLMCR1, FLMCR2, EBR1, and EBR2 settings are retained, however program mode or erase mode is aborted at the point at which the error occurred. Program mode or erase mode cannot be re-entered by re-setting the P or E bit. However, PV and EV bit setting is enabled, and a transition can be made to verify mode. Error protection can be cleared only by a reset or in hardware standby.

## 19.10 Interrupt Handling when Programming/Erasing Flash Memory

All interrupts, including NMI input, are disabled when flash memory is being programmed or erased (when the P or E bit is set in FLMCR1), and while the boot program is executing in boot mode\*<sup>1</sup>, to give priority to the program or erase operation. There are three reasons for this:

1. Interrupt during programming or erasing might cause a violation of the programming or erasing algorithm, with the result that normal operation could not be assured.
2. In the interrupt exception handling sequence during programming or erasing, the vector would not be read correctly\*<sup>2</sup>, possibly resulting in CPU runaway.
3. If an interrupt occurred during boot program execution, it would not be possible to execute the normal boot mode sequence.

- Notes:
1. Interrupt requests must be disabled inside and outside the CPU until the programming control program has completed programming.
  2. The vector may not be read correctly in this case for the following two reasons:
    - If flash memory is read while being programmed or erased (while the P or E bit is set in FLMCR1), correct read data will not be obtained (undetermined values will be returned).
    - If the interrupt entry in the vector table has not been programmed yet, interrupt exception handling will not be executed correctly.

## 19.11 Programmer Mode

In programmer mode, a PROM programmer can be used to perform programming/erasing via a socket adapter, just as for a discrete flash memory. Use a PROM programmer which supports the Renesas 256-kbyte flash memory on-chip microcomputer device type (FZTAT256V5A).



## 19.12 Power-Down States for Flash Memory

In user mode, the flash memory will operate in either of the following states:

- Normal operating mode  
The flash memory can be read and written to at high speed.
- Power-down state  
The flash memory can be read when part of the power circuit is halted and the LSI operates by subclocks.
- Standby mode  
All flash memory circuits are halted.

Table 19.6 shows the correspondence between the operating modes of this LSI and the flash memory. When the flash memory returns to its normal operating state from standby mode, a period to stabilize the power supply circuits that were stopped is needed. When the flash memory returns to its normal operating state, bits STS2 to STS0 in SBYCR must be set to provide a wait time of at least 100  $\mu$ s, even when the external clock is being used.

**Table 19.6 Flash Memory Operating States**

LSI Operating State	Flash Memory Operating State
Active mode	Normal operating mode
Sleep mode	Normal operating mode
Watch mode	Standby mode
Standby mode	
Sub-active mode	PDWND = 0: Power-down mode (read only)
Sub-sleep mode	PDWND = 1: Normal operating mode (read only)

## 19.13 Usage Notes

**Use the specified voltages and timing for programming and erasing:** Applied voltages in excess of the rating can permanently damage the device. Use a PROM programmer that supports the Renesas 256-kbyte flash memory on-chip microcomputer device type (FZTAT256V3A).

Do not select the HN27C4096 setting for the PROM programmer, and only use the specified socket adapter. Failure to observe these points may result in damage to the device.

**Powering on and off:** Do not apply a high level to the FWE pin until VCC has stabilized. Also, drive the FWE pin low before turning off VCC.

When applying or disconnecting VCC power, fix the FWE pin low and place the flash memory in the hardware protection state.

The power-on and power-off timing requirements should also be satisfied in the event of a power failure and subsequent recovery.

**FWE application/disconnection:** FWE application should be carried out when MCU operation is in a stable condition. If MCU operation is not stable, fix the FWE pin low and set the protection state.

The following points must be observed concerning FWE application and disconnection to prevent unintentional programming or erasing of flash memory:

- Apply FWE when the VCC voltage has stabilized within its rated voltage range.
- In boot mode, apply and disconnect FWE during a reset.
- In user program mode, FWE can be switched between high and low level regardless of the reset state. FWE input can also be switched during execution of a program in flash memory.
- Do not apply FWE if program runaway has occurred.
- Disconnect FWE only when the SWE, ESU, PSU, EV, PV, P, and E bits in FLMCR1 are cleared.

Make sure that the SWE, ESU, PSU, EV, PV, P, and E bits are not set by mistake when applying or disconnecting FWE.

**Do not apply a constant high level to the FWE pin:** Apply a high level to the FWE pin only when programming or erasing flash memory. A system configuration in which a high level is constantly applied to the FWE pin should be avoided. Also, while a high level is applied to the FWE pin, the watchdog timer should be activated to prevent overprogramming or overerasing due to program runaway, etc.

**Use the recommended algorithm when programming and erasing flash memory:** The recommended algorithm enables programming and erasing to be carried out without subjecting the device to voltage stress or sacrificing program data reliability. When setting the P or E bit in FLMCR1, the watchdog timer should be set beforehand as a precaution against program runaway, etc.

**Do not set or clear the SWE bit during execution of a program in flash memory:** Wait for at least 100  $\mu$ s after clearing the SWE bit before executing a program or reading data in flash memory.

When the SWE bit is set, data in flash memory can be rewritten. Access flash memory only for verify operations (verification during programming/erasing). Also, do not clear the SWE bit during programming, erasing, or verifying. Similarly, when using the RAM emulation function while a high level is being input to the FWE pin, the SWE bit must be cleared before executing a program or reading data in flash memory.

However, the RAM area overlapping flash memory space can be read and written to regardless of whether the SWE bit is set or cleared.

**Do not use interrupts while flash memory is being programmed or erased:** All interrupt requests, including NMI, should be disabled during FWE application to give priority to program/erase operations.

**Do not perform additional programming. Erase the memory before reprogramming:** In on-board programming, perform only one programming operation on a 128-byte programming unit block. In programmer mode, too, perform only one programming operation on a 128-byte programming unit block. Programming should be carried out with the entire programming unit block erased.

**Before programming, check that the chip is correctly mounted in the PROM programmer:** Overcurrent damage to the device can result if the index marks on the PROM programmer socket, socket adapter, and chip are not correctly aligned.

**Do not touch the socket adapter or chip during programming:** Touching either of these can cause contact faults and write errors.

**Reset the flash memory before turning on the power:** To reset the flash memory during oscillation stabilization period, the reset signal must be input for at least 100  $\mu$ s.

**Apply the reset signal while SWE is low to reset the flash memory during its operation:** The reset signal is applied at least 100  $\mu$ s after the SWE bit has been cleared.

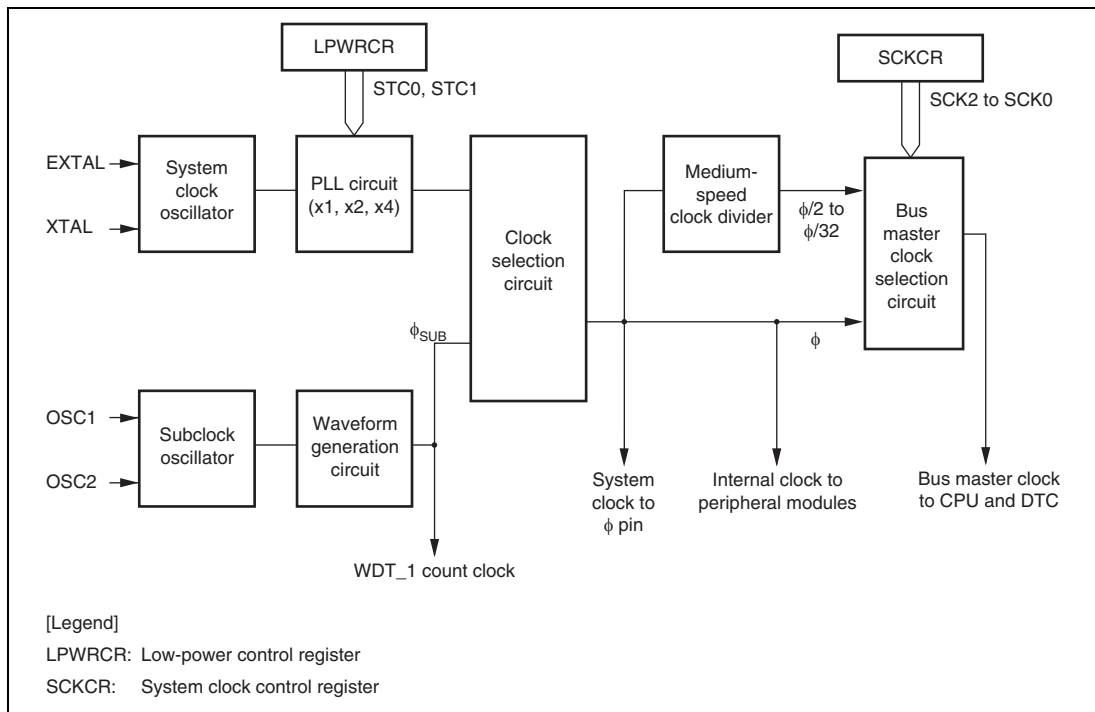
**Note on Switching from F-ZTAT Version to Mask ROM Version:** The mask ROM version does not have the internal registers for flash memory control that are provided in the F-ZTAT version. Table 19.7 lists the registers that are present in the F-ZTAT version but not in the mask ROM version. If a register listed in table 19.7 is read in the mask ROM version, an undefined value will be returned. Therefore, if application software developed on the F-ZTAT version is switched to a mask ROM version product, it must be modified to ensure that the registers in table 19.7 have no effect.

**Table 19.7 Registers Present in F-ZTAT Version but Absent in Mask ROM Version**

<b>Register</b>	<b>Abbreviation</b>	<b>Address</b>
Flash memory control register 1	FLMCR1	H'FFA8
Flash memory control register 2	FLMCR2	H'FFA9
Erase block register 1	EBR1	H'FFAA
RAM emulation register	RAMER	H'FEDB
Flash memory power control register	FLPWCR	H'FFAC

## Section 20 Clock Pulse Generator

This LSI has an on-chip clock pulse generator that generates the system clock ( $\phi$ ), the bus master clock, and internal clocks. The clock pulse generator consists of an oscillator, PLL circuit, clock selection circuit, medium-speed clock divider, and bus master clock selection circuit. A block diagram of the clock pulse generator is shown in figure 20.1.



**Figure 20.1 Block Diagram of Clock Pulse Generator**

The frequency can be changed by means of the PLL circuit. Frequency changes are performed by software by settings in the low-power control register (LPWRCR) and system clock control register (SCKCR).

## 20.1 Register Descriptions

The on-chip clock pulse generator has the following registers. For details on LPWRCCR, see section 21.1.2, Low-Power Control Register (LPWRCCR).

- System clock control register (SCKCR)
- Low-power control register (LPWRCCR)

### 20.1.1 System Clock Control Register (SCKCR)

SCKCR performs  $\phi$  clock output control, selection of operation when the PLL circuit frequency multiplication factor is changed, and medium-speed mode control.

Bit	Bit Name	Initial Value	R/W	Description
7	PSTOP	0	R/W	$\phi$ Clock Output Disable Controls $\phi$ output. High-speed Mode, Medium-Speed Mode 0: $\phi$ output 1: Fixed high Sleep Mode 0: $\phi$ output 1: Fixed high Software Standby Mode 0: Fixed high 1: Fixed high Hardware Standby Mode 0: High impedance 1: High impedance
6 to 4	—	All 0	—	Reserved These bits are always read as 0.

Bit	Bit Name	Initial Value	R/W	Description
3	STCS	0	R/W	<p>Frequency Multiplication Factor Switching Mode Select</p> <p>Selects the operation when the PLL circuit frequency multiplication factor is changed.</p> <p>0: Specified multiplication factor is valid after transition to software standby mode</p> <p>1: Specified multiplication factor is valid immediately after STC1 bit and STC0 bit are rewritten</p>
2	SCK2	0	R/W	System Clock Select 0 to 2
1	SCK1	0	R/W	These bits select the bus master clock.
0	SCK0	0	R/W	<p>000: High-speed mode</p> <p>001: Medium-speed clock is <math>\phi/2</math></p> <p>010: Medium-speed clock is <math>\phi/4</math></p> <p>011: Medium-speed clock is <math>\phi/8</math></p> <p>100: Medium-speed clock is <math>\phi/16</math></p> <p>101: Medium-speed clock is <math>\phi/32</math></p> <p>11X: Setting prohibited</p>

[Legend]

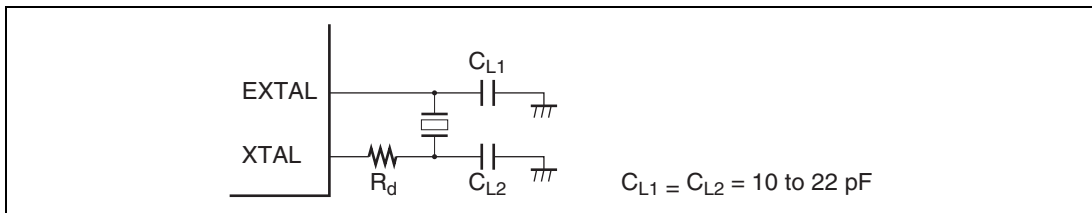
X: Don't care

## 20.2 Oscillator

Clock pulses can be supplied by connecting a crystal resonator, or by input of an external clock. In either case, the input clock should not exceed 20 MHz.

### 20.2.1 Connecting a Crystal Resonator

Circuit Configuration: A crystal resonator can be connected as shown in the example in figure 20.2. Select the damping resistance  $R_d$  according to table 20.1. An AT-cut parallel-resonance crystal should be used.

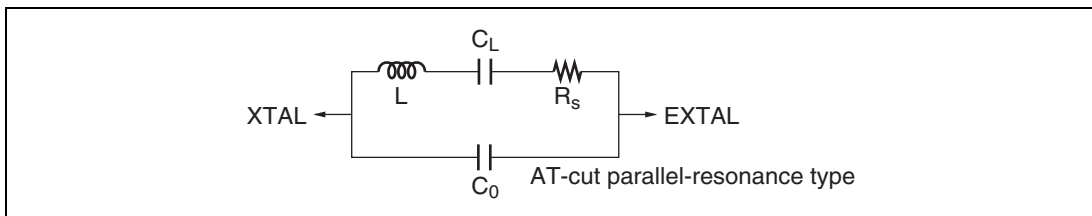


**Figure 20.2 Connection of Crystal Resonator (Example)**

**Table 20.1 Damping Resistance Value**

Frequency (MHz)	4	8	10	12	16	20
$R_d$ ( $\Omega$ )	500	200	0	0	0	0

Figure 20.3 shows the equivalent circuit of the crystal resonator. Use a crystal resonator that has the characteristics shown in table 20.2.



**Figure 20.3 Crystal Resonator Equivalent Circuit**



**Table 20.2 Crystal Resonator Characteristics**

Frequency (MHz)	4	8	10	12	16	20
$R_s$ max ( $\Omega$ )	120	80	70	60	50	40
$C_o$ max (pF)	7	7	7	7	7	7

### 20.2.2 External Clock Input

Circuit Configuration: An external clock signal can be input as shown in the examples in figure 20.4. If the XTAL pin is left open, ensure that stray capacitance does not exceed 10 pF. When complementary clock is input to the XTAL pin, the external clock input should be fixed high in standby mode.

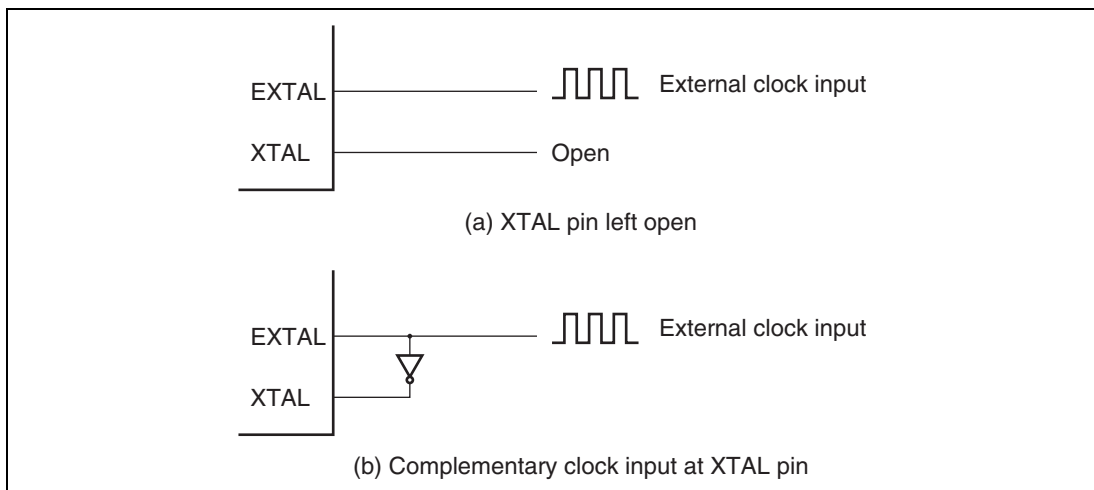
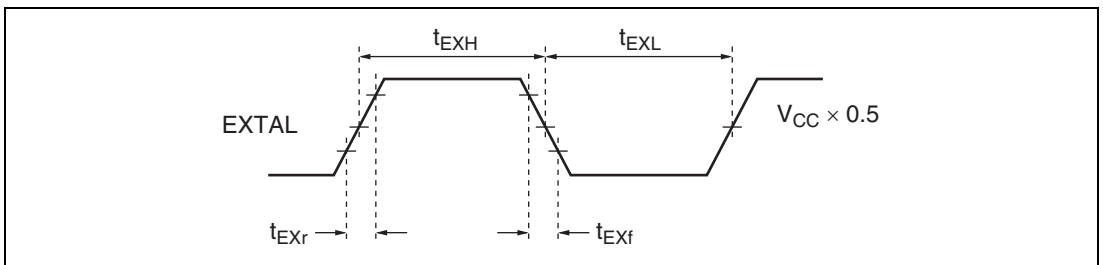
**Figure 20.4 External Clock Input (Examples)**

Table 20.3 shows the input conditions for the external clock.

**Table 20.3 External Clock Input Conditions**

Item	Symbol	$V_{CC} = 5.0\text{ V} \pm 10\%$		Unit	Test Conditions
		Min.	Max.		
External clock input low pulse width	$t_{EXL}$	15	—	ns	Figure 20.5
External clock input high pulse width	$t_{EXH}$	15	—	ns	
External clock rise time	$t_{EXr}$	—	5	ns	
External clock fall time	$t_{EXf}$	—	5	ns	



**Figure 20.5 External Clock Input Timing**

## 20.3 PLL Circuit

The PLL circuit multiplies the frequency of the clock from the oscillator by a factor of 1, 2, or 4. The multiplication factor is set by the STC0 bit and the STC1 bit in LPWRCR. The phase of the rising edge of the internal clock is controlled so as to match that at the EXTAL pin.

When the multiplication factor of the PLL circuit is changed, the operation varies according to the setting of the STCS bit in SCKCR.

When STCS = 0, the setting becomes valid after a transition to software standby mode. The transition time count is performed in accordance with the setting of bits STS0 to STS2 in SBYCR. For details on SBYCR, see section 21.1.1, Standby Control Register (SBYCR).

1. The initial PLL circuit multiplication factor is 1.
2. STS0 to STS2 are set to give the specified transition time.
3. The target value is set in STC0 and STC1, and a transition is made to software standby mode.
4. The clock pulse generator stops and the value set in STC0 and STC1 becomes valid.
5. Software standby mode is cleared, and a transition time is secured in accordance with the setting in STS0 to STS2.
6. After the set transition time has elapsed, this LSI resumes operation using the target multiplication factor.

If a PC break is set for the SLEEP instruction, software standby mode is entered and break exception handling is executed after the oscillation settling time. In this case, the instruction following the SLEEP instruction is executed after execution of the RTE instruction. When STCS = 1, this LSI operates on the changed multiplication factor immediately after bits STC0 and STC1 are rewritten.

## 20.4 Medium-Speed Clock Divider

The medium-speed clock divider divides the system clock to generate  $\phi/2$ ,  $\phi/4$ ,  $\phi/8$ ,  $\phi/16$ , and  $\phi/32$ .

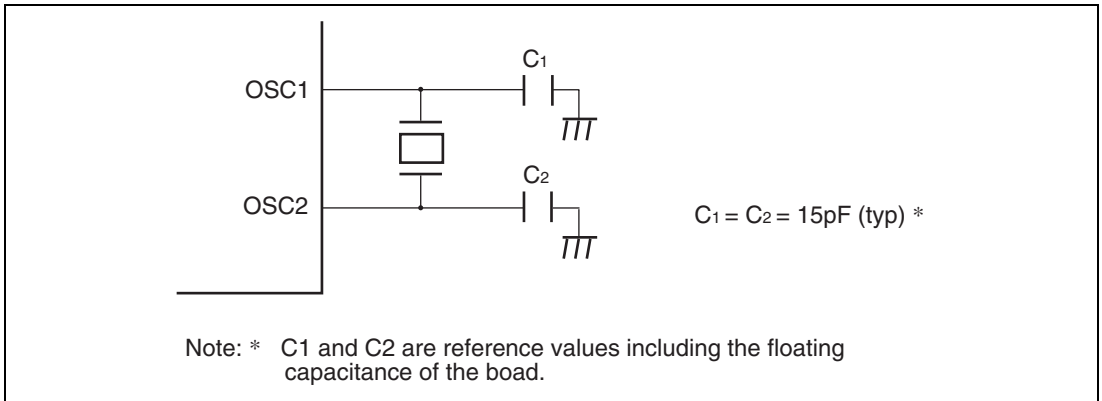
## 20.5 Bus Master Clock Selection Circuit

The bus master clock selection circuit selects the clock supplied to the bus master by setting the bits SCK 2 to 0 in SCKCR. The bus master clock can be selected from high-speed mode, or medium-speed clocks ( $\phi/2$ ,  $\phi/4$ ,  $\phi/8$ ,  $\phi/16$ ,  $\phi/32$ ).

## 20.6 Subclock Oscillator

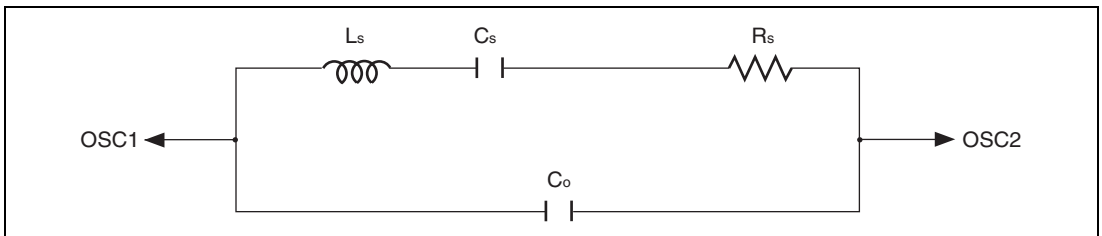
### 20.6.1 Connecting 32.768-kHz Crystal Resonator

To supply a clock to the subclock divider, connect a 32.768-kHz crystal resonator, as shown in figure 20.6. Concerning the note on connection, see section 20.8.2, Note on Board Design.



**Figure 20.6 Connection Example of 32.768-kHz Crystal Resonator**

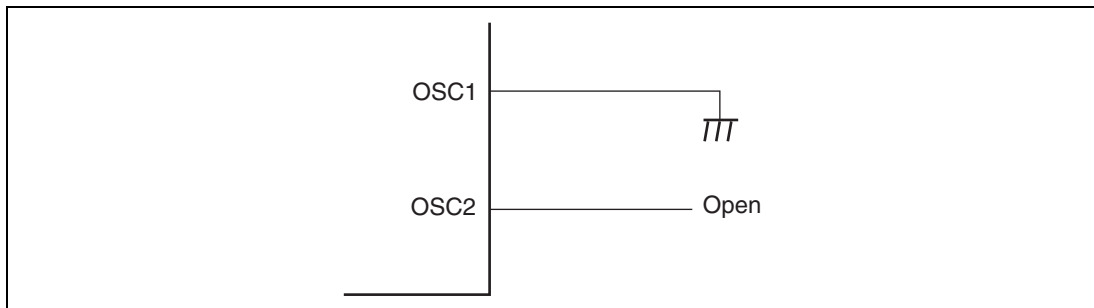
Figure 20.7 shows the equivalent circuit for a 32.768-kHz crystal resonator.



**Figure 20.7 Equivalent Circuit for 32.768-kHz Crystal Resonator**

## 20.6.2 Handling Pins when Subclock is not Used

If no subclock is required, connect the OSC1 pin to Vss and leave the OSC2 pin open, as shown in figure 20.8.



**Figure 20.8 Pin Handling when Subclock is not Used**

## 20.7 Subclock Waveform Generation Circuit

To eliminate noise from the subclock input from the OSC1 pin, the subclock is sampled using the dividing clock  $\phi$ . The sampling frequency is set using the NESEL bit in LPWRCCR. For details, see section 21.1.2, Low-Power Control Register (LPWRCCR).

No sampling is performed in subactive, subsleep, and watch mode.

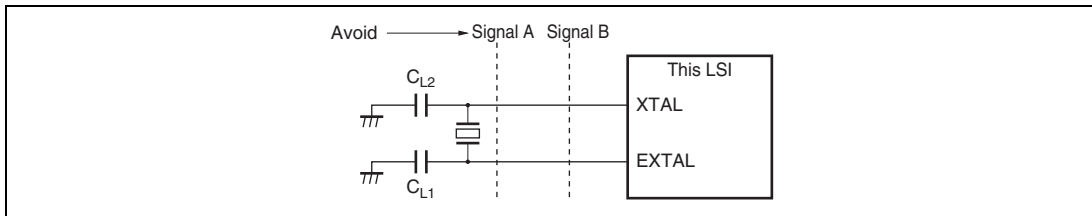
## 20.8 Usage Notes

### 20.8.1 Note on Crystal Resonator

As various characteristics related to the crystal resonator are closely linked to the user's board design, thorough evaluation is necessary on the user's part, using the resonator connection examples shown in this section as a guide. As the resonator circuit ratings will depend on the floating capacitance of the resonator and the mounting circuit, the ratings should be determined in consultation with the resonator manufacturer. The design must ensure that a voltage exceeding the maximum rating is not applied to the oscillator pin.

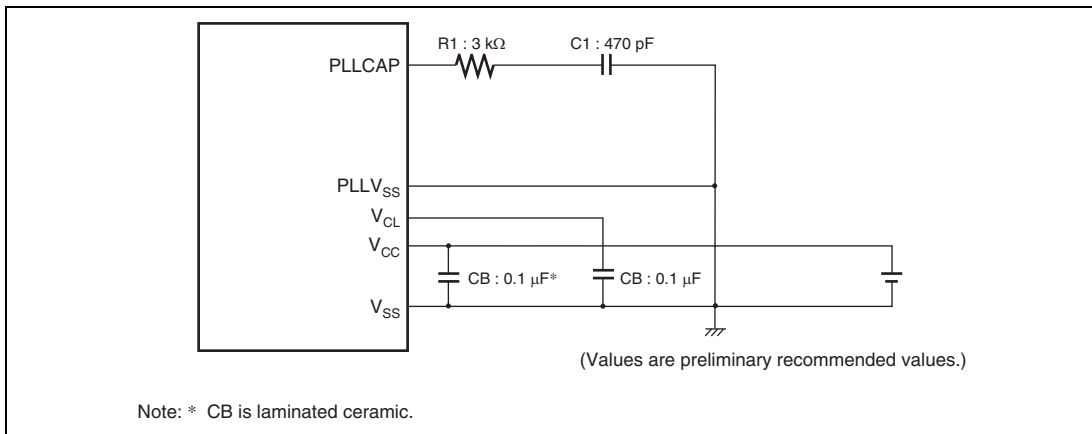
### 20.8.2 Note on Board Design

When designing the board, place the crystal resonator and its load capacitors as close as possible to the XTAL and EXTAL pins. Other signal lines should be routed away from the oscillator circuit, as shown in figure 20.9. This is to prevent induction from interfering with correct oscillation.



**Figure 20.9 Note on Board Design of Oscillator Circuit**

Figure 20.10 shows external circuitry recommended to be provided around the PLL circuit. Place oscillation settling capacitor C1 and resistor R1 close to the PLLCAP pin, and ensure that no other signal lines cross this line. Separate PLLV<sub>SS</sub> from the other V<sub>CC</sub> and V<sub>SS</sub> lines at the board power supply source, and be sure to insert bypass capacitors CB close to the pins.



**Figure 20.10 External Circuitry Recommended for PLL Circuit**

## Section 21 Power-Down Modes

In addition to the normal program execution state, this LSI has power-down modes in which operation of the CPU and oscillator is halted and power consumption is reduced. Low-power operation can be achieved by individually controlling the CPU, on-chip peripheral modules, and so on.

This LSI's operating modes are as follows:

1. High-speed mode
2. Medium-speed mode
3. Subactive mode
4. Sleep mode
5. Subsleep mode
6. Watch mode
7. Module stop mode
8. Software standby mode
9. Hardware standby mode

Modes 2. to 9. are power-down modes. Sleep mode and subsleep mode are CPU states, medium-speed mode is a CPU and bus master state, subactive mode is a CPU, bus master, and on-chip peripheral function state, and module stop mode is an on-chip peripheral function (including bus masters other than the CPU) state. Some of these states can be combined.

After a reset, the LSI operates in high-speed mode with on-chip peripheral modules other than the DTC in module stop mode.

Table 21.1 shows the internal state of the LSI in each mode. Table 21.2 shows the conditions for shifting between the power-down modes. Figure 21.1 shows the mode transition diagram.

**Table 21.1 LSI Internal States in Each Mode**

Function		High-Speed	Medium-Speed	Sleep	Module Stop	Watch	Subactive	Subsleep	Software Standby	Hardware Standby
System clock pulse generator		Functioning	Functioning	Functioning	Functioning	Halted	Halted	Halted	Halted	Halted
Subclock generator		Functioning	Functioning	Functioning	Functioning	Functioning	Functioning	Functioning	Halted	Halted
CPU	Instructions Registers	Functioning	Medium-speed operation	Halted (retained)	High/medium-speed operation	Halted (retained)	Subclock operation	Halted (retained)	Halted (retained)	Halted (undefined)
External interrupts	NMI	Functioning	Functioning	Functioning	Functioning	Functioning	Functioning	Functioning	Functioning	Halted
	IRQ0 to IRQ5									
Peripheral functions	WDT0	Functioning	Functioning	Functioning	—	Halted (retained)	Subclock operation	Subclock operation	Halted (retained)	Halted (reset)
	WDT1	Functioning	Functioning	Functioning	—	Subclock operation	Subclock operation	Subclock operation	Halted (retained)	Halted (reset)
	DTC	Functioning	Medium-speed operation	Functioning	Halted (retained)	Halted (retained)	Halted (retained)	Halted (retained)	Halted (retained)	Halted (reset)
	TPU	Functioning	Functioning	Functioning	Halted (retained)	Halted (retained)	Halted (retained)	Halted (retained)	Halted (retained)	Halted (reset)
	PPG									
	PBC	Functioning	Functioning	Functioning	Halted (retained)	Halted (retained)	Subclock operation	Halted (retained)	Halted (retained)	Halted (reset)
	SCI0 to SCI2	Functioning	Functioning	Functioning	Halted (retained/reset)	Halted (retained/reset)	Halted (retained/reset)	Halted (retained/reset)	Halted (reset)	Halted (reset)
	SCI4									
	PWM	Functioning	Functioning	Functioning	Halted (reset)	Halted (reset)	Halted (reset)	Halted (reset)	Halted (reset)	Halted (reset)
	HCAN									
	A/D									
	LCD	Functioning	Functioning	Functioning	Halted (retained)	Functioning*	Functioning*	Functioning*	Halted (retained)	Halted (reset)
	RAM	Functioning	Functioning	Functioning (DTC)	Functioning	Retained	Functioning	Retained	Retained	Retained
	I/O	Functioning	Functioning	Functioning	Functioning	Retained	Functioning	Retained	Retained	High impedance

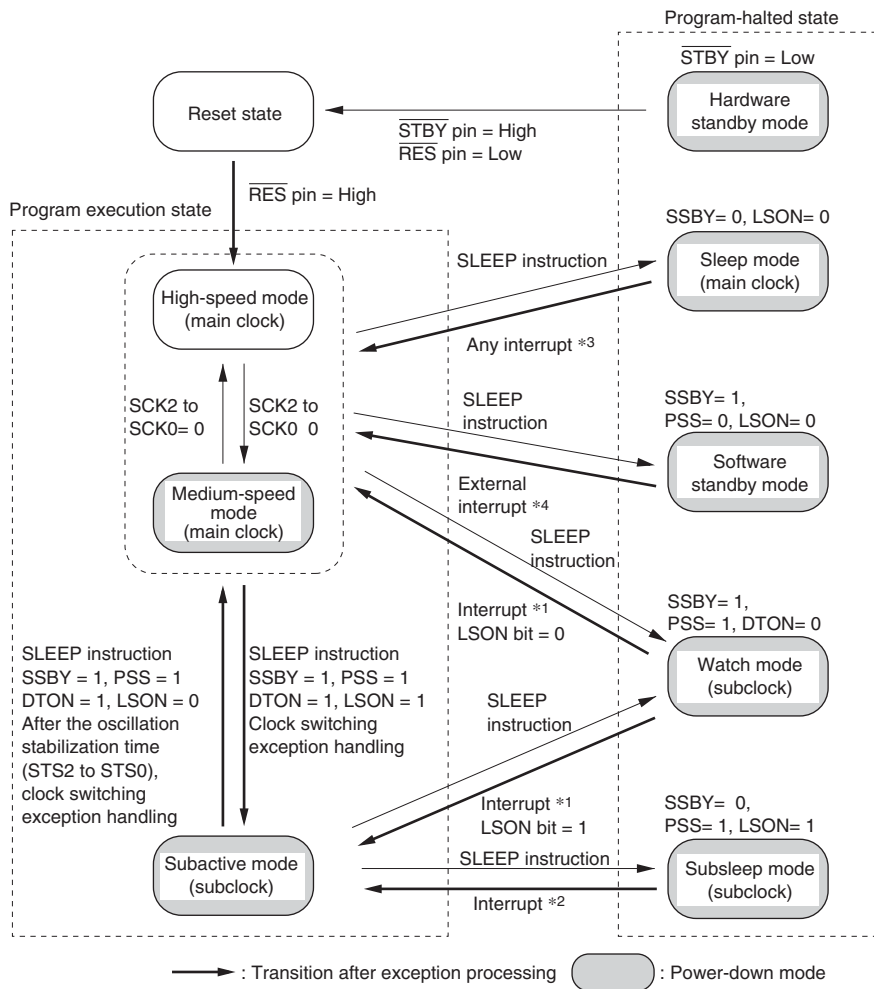
Notes: "Halted (retained)" means that internal register values are retained. The internal state is "operation suspended. "

"Halted (reset)" means that internal register values and internal states are initialized.

In module stop mode, only modules for which a stop setting has been made are halted (reset or retained).

\* When the LCD is operated in watch mode, subactive mode, or subsleep mode, select the subclock as the operating clock.





Notes: 1. NMI, IRQ0 to IRQ5, and WDT1 interrupts

2. NMI, IRQ0 to IRQ5, IWDT0 interrupts, and WDT1 interrupts.

3. All interrupts

4. NMI and IRQ0 to IRQ5

- When a transition is made between modes by means of an interrupt, the transition cannot be made on interrupt source generation alone. Ensure that interrupt handling is performed after accepting the interrupt request.
- From any state except hardware standby mode, a transition to the reset state occurs when  $\overline{RES}$  is driven low.
- From any state, a transition to hardware standby mode occurs when  $\overline{STBY}$  is driven low.
- Always select high-speed mode before making a transition to watch mode or subactive mode.

**Figure 21.1 Mode Transition Diagram**

**Table 21.2 Power-Down Mode Transition Conditions**

Pre-Transition State	Status of Control Bit at Transition				State after Transition Invoked by SLEEP Instruction	State after Transition back from Power-Down Mode Invoked by Interrupt
	SSBY	PSS	LSON	DTON		
High-speed/ medium-speed	0	X	0	X	Sleep	High-speed/medium-speed
	0	X	1	X	—	—
	1	0	0	X	Software standby	High-speed/medium-speed
	1	0	1	X	—	—
	1	1	0	0	Watch	High-speed
	1	1	1	0	Watch	Subactive
	1	1	0	1	—	—
	1	1	1	1	Subactive	—
	Subactive	0	0	X	X	—
0		1	0	X	—	—
0		1	1	X	Subsleep	Subactive
1		0	X	X	—	—
1		1	0	0	Watch	High-speed
1		1	1	0	Watch	Subactive
1		1	0	1	High-speed	—
1		1	1	1	—	—

[Legend]

X: Don't care

—: Setting prohibited

## 21.1 Register Descriptions

Registers related to power-down modes are shown below. For details on SCKCR, see section 20.1.1, System Clock Control Register (SCKCR). For details on TCSR, see section 12.2.2, Timer Control/Status Register (TCSR).

- Standby control register (SBYCR)
- System clock control register (SCKCR)
- Low-power control register (LPWRCR)
- Timer control/status register (TCSR)
- Module stop control register A (MSTPCRA)
- Module stop control register B (MSTPCRB)
- Module stop control register C (MSTPCRC)
- Module stop control register D (MSTPCRD)

### 21.1.1 Standby Control Register (SBYCR)

SBYCR controls power-down modes.

Bit	Bit Name	Initial Value	R/W	Description
7	SSBY	0	R/W	<p>Software Standby</p> <p>This bit in combination with other control bits specifies the operating mode after executing the SLEEP instruction. For details, see table 21.2.</p> <p>0: Shifts to sleep mode when the SLEEP instruction is executed in high-speed mode or medium-speed mode, or to subsleep mode when the SLEEP instruction is executed in subactive mode</p> <p>1: Shifts to software standby mode, subactive mode, or watch mode when the SLEEP instruction is executed in high-speed mode or medium-speed mode, or to watch mode or high-speed mode when the SLEEP instruction is executed in subactive mode</p> <p>This bit does not change when shifting between modes by using interrupts. 0 should be written to this bit to clear it.</p>

Bit	Bit Name	Initial Value	R/W	Description	
6	STS2	0	R/W	Standby Timer Select	
5	STS1	0	R/W	<p>These bits select the MCU standby time for clock stabilization when software standby mode, watch mode, or subactive mode is cancelled by an interrupt or an instruction to shift to high-speed mode or medium-speed mode. With a crystal resonator (table 21.3), select a standby time of 8 ms (oscillation stabilization time) or more, depending on the operating frequency. With an external clock, any standby time can be selected.</p> <p>000: Standby time = 8192 states            001: Standby time = 16384 states            010: Standby time = 32768 states            011: Standby time = 65536 states            100: Standby time = 131072 states            101: Standby time = 262144 states            110: Reserved            111: Standby time = 16 states</p>	
4	STS0	0	R/W		
<hr/>					
3	OPE	1	R/W		<p>Output Port Enable</p> <p>Specifies whether the outputs of the address bus and bus control signals (<math>\overline{AS}</math>, <math>\overline{RD}</math>, <math>\overline{HWR}</math>, <math>\overline{LWR}</math>) are retained or set to high-impedance state in software standby mode or watch mode, or when making a direct transition.</p>
<hr/>					
2 to 0	—	All 0	—		<p>Reserved</p> <p>These bits are always read as 0 and cannot be modified.</p>

- With Crystal Resonator

The STS2 to STS0 bits must be specified appropriately so that the standby time (oscillation stabilization time) is at least 8 ms. Table 21.3 shows the standby time determined by a combination of the operating frequency and the STS2 to STS0 bit setting.

**Table 21.3 Standby Time Settings**

STS2	STS1	STS0	Standby Time	Operating Frequency (MHz)							Unit
				20	16	12	10	8	6	4	
0	0	0	8192 states	0.41	0.51	0.65	0.8	1.0	1.3	2.0	ms
0	0	1	16384 states	0.82	1.0	1.3	1.6	2.0	2.7	4.1	
0	1	0	32768 states	1.6	2.0	2.7	3.3	4.1	5.5	8.2	
0	1	1	65536 states	3.3	4.1	5.5	6.6	8.2	10.9	16.4	
1	0	0	131072 states	6.6	8.2	10.9	13.1	16.4	21.8	32.8	
1	0	1	262144 states	13.1	16.4	21.8	26.2	32.8	43.6	65.6	
1	1	0	Reserved	—	—	—	—	—	—	—	
1	1	1	16 states*	0.8	1.0	1.3	1.6	2.0	1.7	4.0	μs

Notes:  : Recommended standby time

\* Setting prohibited

- With External Clock

The PLL circuit stabilization time must be ensured. Specify 2-ms or more standby time.

### 21.1.2 Low-Power Control Register (LPWRCR)

LPWRCR controls power-down modes.

Bit	Bit Name	Initial Value	R/W	Description
7	DTON	0	R/W	<p>Direct Transition ON Flag</p> <p>This bit in combination with the SSBY bit in SBYCR, the LSON bit in LPWRCR, and the PSS bit in TCSR specifies the operating mode after executing the SLEEP instruction. For details, see table 21.2.</p>
6	LSON	0	R/W	<p>Low-Speed ON Flag</p> <p>This bit in combination with the SSBY bit in SBYCR, the DTON bit in LPWRCR, and the PSS bit in TCSR specifies the operating mode after executing the SLEEP instruction. For details, see table 21.2.</p>
5	NESEL	0	R/W	<p>Noise Elimination Sampling Frequency Select</p> <p>Selects the frequency of the clock (<math>\phi</math>) generated by the system clock oscillator to be used to sample the subclock (<math>\phi_{SUB}</math>) generated by the subclock oscillator. Set this bit to 0 when <math>\phi</math> is 5 MHz or larger.</p> <p>0: Sampled at <math>\phi/32</math> 1: Sampled at <math>\phi/4</math></p>
4	SUBSTP	0	R/W	<p>Subclock Enable</p> <p>Enables or disables subclock generation</p> <p>0: Enables subclock generation 1: Disables subclock generation</p>
3	RFCUT	0	R/W	<p>Oscillation Circuit Feedback Resistance Control</p> <p>Turns the internal feedback resistance of the main clock oscillator on or off.</p> <p>0: When the main clock is oscillating, sets the feedback resistance on. When the main clock is stopped, sets the feedback resistance off. 1: Sets the feedback resistance off.</p>

---

Bit	Bit Name	Initial Value	R/W	Description
2	—	0	R/W	Reserved The write value should always be 0.
1	STC1	0	R/W	Frequency Multiplication Factor
0	STC0	0	R/W	These bits specify the frequency multiplication factor of the PLL circuit. 00: ×1 01: ×2 10: ×4 11: Setting prohibited

---

### 21.1.3 Module Stop Control Registers A to D (MSTPCRA to MSTPCRD)

MSTPCR controls module stop mode. Setting a bit to 1 causes the corresponding module to enter module stop mode. Clearing the bit to 0 clears the module stop mode.

- MSTPCRA

Bit	Bit Name	Initial Value	R/W	Module
7	MSTPA7* <sup>1</sup>	0	R/W	
6	MSTPA6	0	R/W	Data transfer controller (DTC)
5	MSTPA5	1	R/W	16-bit timer pulse unit (TPU)
4	MSTPA4* <sup>2</sup>	1	R/W	
3	MSTPA3	1	R/W	Programmable pulse generator (PPG)
2	MSTPA2* <sup>2</sup>	1	R/W	
1	MSTPA1	1	R/W	A/D converter
0	MSTPA0* <sup>2</sup>	1	R/W	

- MSTPCRB

Bit	Bit Name	Initial Value	R/W	Module
7	MSTPB7	1	R/W	Serial communication interface_0 (SCI_0)
6	MSTPB6	1	R/W	Serial communication interface_1 (SCI_1)
5	MSTPB5	1	R/W	Serial communication interface_2 (SCI_2)
4	MSTPB4* <sup>2</sup>	1	R/W	
3	MSTPB3* <sup>2</sup>	1	R/W	
2	MSTPB2* <sup>2</sup>	1	R/W	
1	MSTPB1* <sup>2</sup>	1	R/W	
0	MSTPB0* <sup>2</sup>	1	R/W	



- MSTPCRC

Bit	Bit Name	Initial Value	R/W	Module
7	MSTPC7* <sup>2</sup>	1	R/W	
6	MSTPC6	1	R/W	Serial communication interface_4 (SCI_4)
5	MSTPC5* <sup>2</sup>	1	R/W	
4	MSTPC4	1	R/W	PC break controller (PBC)
3	MSTPC3	1	R/W	Controller area network (HCAN_0)
2	MSTPC2	1	R/W	Controller area network (HCAN_1)
1	MSTPC1* <sup>2</sup>	1	R/W	
0	MSTPC0* <sup>2</sup>	1	R/W	

- MSTPCRD

Bit	Bit Name	Initial Value	R/W	Module
7	MSTPD7	1	R/W	Motor control PWM timer (PWM)
6	MSTPD6	1	R/W	LCD controller/driver (LCD)
5	MSTPD5* <sup>3</sup>	Undefined	—	
4	MSTPD4* <sup>2</sup>	1	R/W	
3	MSTPD3* <sup>3</sup>	Undefined	—	
2	MSTPD2* <sup>2</sup>	1	R/W	
1	MSTPD1* <sup>3</sup>	Undefined	—	
0	MSTPD0* <sup>3</sup>	Undefined	—	

- Notes:
1. Although this bit is readable/writable, only 0 should be written to.
  2. Although this bit is readable/writable, only 1 should be written to.
  3. This bit is read as undefined value and cannot be modified.

## 21.2 Medium-Speed Mode

When the SCK2 to SCK0 bits in SCKCR are set to 1 in high-speed mode, the operating mode changes to medium-speed mode as soon as the current bus cycle ends. In medium-speed mode, the CPU operates on the operating clock ( $\phi/2$ ,  $\phi/4$ ,  $\phi/8$ ,  $\phi/16$ , or  $\phi/32$ ) specified by the SCK2 to SCK0 bits. The bus master (DTC) other than the CPU operates in medium-speed mode.

On-chip peripheral modules other than the bus masters always operate on the high-speed clock ( $\phi$ ).

In medium-speed mode, a bus access is executed in the specified number of states with respect to the bus master operating clock. For example, if  $\phi/4$  is selected as the operating clock, on-chip memory is accessed in four states, and internal I/O registers in eight states.

Medium-speed mode is canceled by clearing all of bits SCK2 to SCK0 to 0. A transition is made to high-speed mode and medium-speed mode is canceled at the end of the current bus cycle.

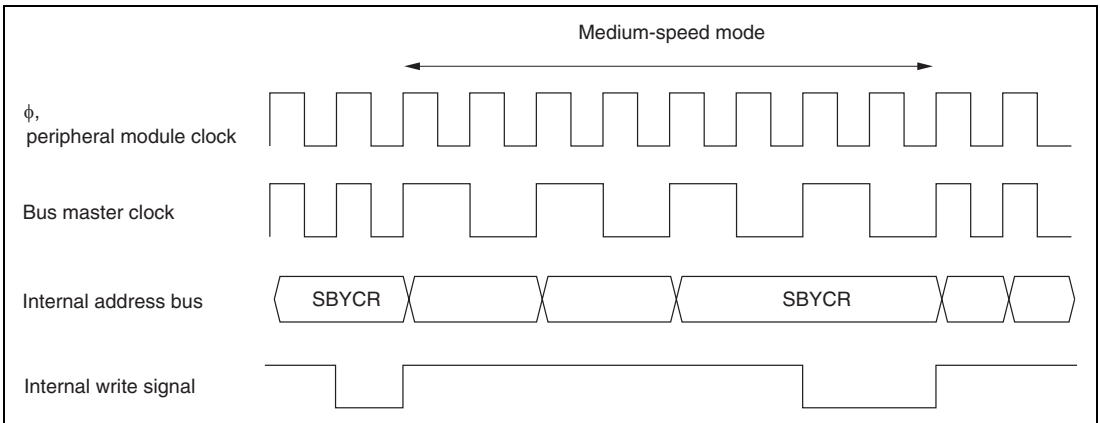
If the SLEEP instruction is executed when the SSBY bit in SBYCR = 0 and LSON bit in LPWRCR = 0, a transition is made to sleep mode. When sleep mode is canceled by an interrupt, medium-speed mode is restored.

When the SLEEP instruction is executed with the SSBY bit = 1, LSON bit in LPWRCR = 0, and PSS bit in TCSR (WDT1) = 0, operation shifts to software standby mode. When software standby mode is canceled by an external interrupt, medium-speed mode is restored.

When the  $\overline{\text{RES}}$  pin is driven low and medium-speed mode is cancelled, operation shifts to the reset state. The same applies to a reset caused by an overflow of the watchdog timer.

When the  $\overline{\text{STBY}}$  pin is driven low, a transition is made to hardware standby mode.

Figure 21.2 shows the timing for transition to and clearance of medium-speed mode.



**Figure 21.2 Medium-Speed Mode Transition and Clearance Timing**

### 21.3 Sleep Mode

When the SLEEP instruction is executed when the SSBY bit in SBYCR = 0 and the LSON bit in LPWRCR = 0, the CPU enters the sleep mode. In sleep mode, CPU operation stops but the contents of the CPU's internal registers are retained. Other peripheral modules do not stop.

Sleep mode is canceled by any interrupt, or signals at the  $\overline{\text{RES}}$  or  $\overline{\text{STBY}}$  pin.

When an interrupt occurs, sleep mode is canceled and interrupt exception handling starts. Sleep mode is not canceled if the interrupt is disabled, or if interrupts other than NMI are masked by the CPU.

When the  $\overline{\text{RES}}$  pin is driven low, operation shifts to the reset state. After the stipulated reset input duration, driving the  $\overline{\text{RES}}$  pin high makes the CPU start reset exception handling.

When the  $\overline{\text{STBY}}$  pin is driven low, a transition is made to hardware standby mode.

## 21.4 Software Standby Mode

When the SLEEP instruction is executed when the SSBY bit in SBYCR = 1, the LSON bit in LPWRCR = 0, and the PSS bit in TCSR (WDT1) = 0, a transition is made to software standby mode. In this mode, the CPU, on-chip peripheral modules, and oscillator all stop. However, the contents of the CPU internal registers and on-chip RAM data, the states of on-chip peripheral modules other than the SCI, A/D converter, motor control PWM, and HCAN, and the states of I/O ports are retained. The address bus and bus control signals are placed in the high-impedance state.

Software standby mode is canceled by an external interrupt (NMI and  $\overline{\text{IRQ5}}$  to  $\overline{\text{IRQ0}}$  pins), or signals at the  $\overline{\text{RES}}$  pin or  $\overline{\text{STBY}}$  pin.

When an NMI or IRQ5 to IRQ0 interrupt request signal is input, clock oscillation starts, and after the time set in bits STS2 to STS0 in SBYCR has elapsed, stable clocks are supplied to the entire chip, software standby mode is canceled, and interrupt exception handling is started.

When canceling software standby mode with an IRQ5 to IRQ0 interrupt, set the corresponding enable bit to 1 and ensure that no interrupt with a higher priority than interrupts IRQ5 to IRQ0 is generated. Software standby mode cannot be canceled if the interrupt has been masked on the CPU side or has been designated as a DTC activation source.

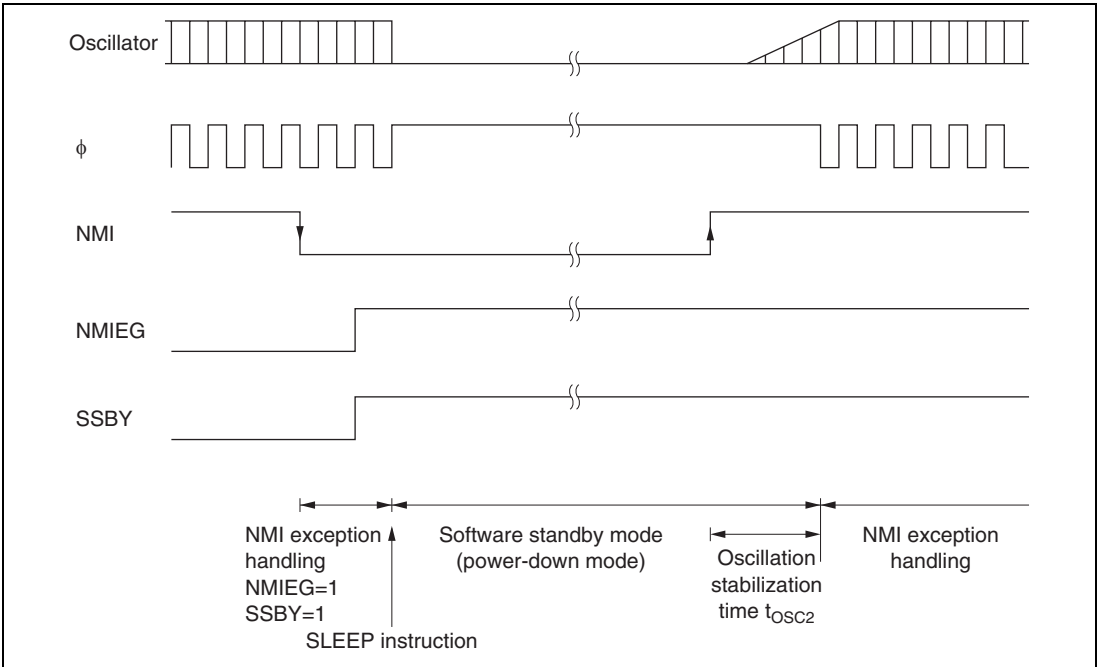
When the  $\overline{\text{RES}}$  pin is driven low, clock oscillation starts. At the same time as clock oscillation starts, the clock is supplied to the entire chip. Note that the  $\overline{\text{RES}}$  pin must be held low until clock oscillation stabilizes. When the  $\overline{\text{RES}}$  pin is driven high, the CPU begins reset exception handling.

When the  $\overline{\text{STBY}}$  pin is driven low, a transition is made to hardware standby mode.

Figure 21.3 shows an example in which a transition is made to software standby mode at a falling edge of the NMI pin, and software standby mode is canceled at a rising edge of the NMI pin.

In this example, an NMI interrupt is accepted with the NMIEG bit in SYSCR cleared to 0 (falling edge specification), then the NMIEG bit is set to 1 (rising edge specification), the SSBY bit is set to 1, and a SLEEP instruction is executed, causing a transition to software standby mode.

Software standby mode is then canceled at the rising edge of the NMI pin.



**Figure 21.3 Software Standby Mode Application Example**

## 21.5 Hardware Standby Mode

When the  $\overline{\text{STBY}}$  pin is driven low, a transition is made to hardware standby mode from any mode.

In hardware standby mode, all functions enter the reset state and stop operation, resulting in a significant reduction in power consumption. As long as the prescribed voltage is supplied, on-chip RAM data is retained. The I/O ports are set to the high-impedance state.

In order to retain on-chip RAM data, the RAME bit in SYSCR should be cleared to 0 before driving the  $\overline{\text{STBY}}$  pin low.

Do not change the state of the mode pins (MD2 and MD0) while this LSI is in hardware standby mode.

Hardware standby mode is canceled by signals at the  $\overline{\text{STBY}}$  pin and the  $\overline{\text{RES}}$  pin. When the  $\overline{\text{STBY}}$  pin is driven high while the  $\overline{\text{RES}}$  pin is low, the reset state is entered and clock oscillation is started. Ensure that the  $\overline{\text{RES}}$  pin is held low until the clock oscillator stabilizes (at least 8 ms (oscillation stabilization time) when using a crystal oscillator). When the  $\overline{\text{RES}}$  pin is subsequently driven high, a transition is made to the program execution state via the reset exception handling state.

When the  $\overline{\text{STBY}}$  pin is driven low after the  $\overline{\text{RES}}$  pin has been driven low, a transition is made to hardware standby mode. Hardware standby mode is canceled by driving the  $\overline{\text{STBY}}$  pin high, waiting for the oscillation stabilization time, then switching the  $\overline{\text{RES}}$  pin from low to high.

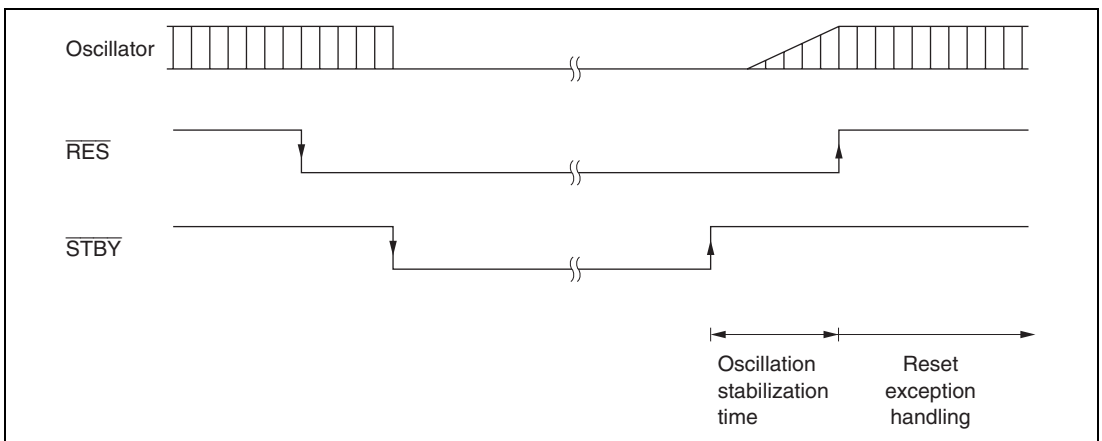


Figure 21.4 Hardware Standby Mode Timing

## 21.6 Watch Mode

When the SLEEP instruction is executed in high-speed mode or subactive mode with the SSBY bit in SBYCR = 1, the DTON bit in LPWRCR = 0, and the PSS bit in TCSR (WDT1) = 1, CPU operation shifts to watch mode.

In watch mode, the CPU stops and peripheral modules other than WDT1 also stop. The contents of the CPU internal registers and on-chip RAM data, the states of on-chip peripheral modules other than the SCI, A/D converter, motor control PWM, and HCAN, and the states of I/O ports are retained.

Watch mode is canceled by any interrupt (WOVI1 interrupt, NMI pin, or  $\overline{\text{IRQ5}}$  to  $\overline{\text{IRQ0}}$  pins), or signals at the  $\overline{\text{RES}}$  or  $\overline{\text{STBY}}$  pin.

When an interrupt occurs, watch mode is canceled and a transition is made to high-speed mode or medium-speed mode when the LSON bit in LPWRCR = 0 or to subactive mode when the LSON bit = 1. When a transition is made to high-speed mode, a stable clock is supplied to the entire LSI and interrupt exception handling starts after the time set in the STS2 to STS0 bits of SBYCR has elapsed. For an  $\overline{\text{IRQ5}}$  to  $\overline{\text{IRQ0}}$  interrupt, watch mode is not canceled if the corresponding enable bit has been cleared to 0. For an interrupt from an on-chip peripheral module, if the interrupt enable register has been set to disable the reception of that interrupt or is masked by the CPU, watch mode is not canceled.

For the setting of the oscillation stabilization time when making a transition from watch mode to high-speed mode, see table 21.3.

For canceling watch mode by the  $\overline{\text{RES}}$  pin, see section 21.4, Software Standby Mode.

When the  $\overline{\text{STBY}}$  pin is driven low, a transition is made to hardware standby mode.

## 21.7 Subsleep Mode

When the SLEEP instruction is executed in subactive mode with the SSBY bit in SBYCR = 0, the LSON bit in LPWRCCR = 1, and the PSS bit in TCSR (WDT1) = 1, CPU operation shifts to subsleep mode.

In subsleep mode, the CPU stops and peripheral modules other than WDT0 and WDT1 also stop. The contents of the CPU internal registers and on-chip RAM data, and the states of on-chip peripheral modules other than the SCI, A/D converter, motor control PWM, and HCAN, and the states of I/O ports are retained.

Subsleep mode is canceled by any interrupt (interrupts from on-chip peripheral modules, NMI pin, or  $\overline{\text{IRQ5}}$  to  $\overline{\text{IRQ0}}$  pins), or signals at the  $\overline{\text{RES}}$  or  $\overline{\text{STBY}}$  pin.

When an interrupt occurs, subsleep mode is canceled and interrupt exception handling starts.

For an  $\overline{\text{IRQ5}}$  to  $\overline{\text{IRQ0}}$  interrupt, subsleep mode is not canceled if the corresponding enable bit has been cleared to 0. For an interrupt from an on-chip peripheral module, if the interrupt enable register has been set to disable the reception of that interrupt or is masked by the CPU, subsleep mode is not canceled.

For canceling subsleep mode by the  $\overline{\text{RES}}$  pin, see section 21.4, Software Standby Mode.

When the  $\overline{\text{STBY}}$  pin is driven low, a transition is made to hardware standby mode.

## 21.8 Subactive Mode

CPU operation shifts to subactive mode when the SLEEP instruction is executed in high-speed mode with the SSBY bit in SBYCR = 1, the DTON bit in LPWRCCR = 1, the LSON bit = 1, and the PSS bit in TCSR (WDT1) = 1. When an interrupt occurs in watch mode, and if the LSON bit in LPWRCCR is 1, a transition is made to subactive mode. If an interrupt occurs in subsleep mode, a transition is made to subactive mode.

In subactive mode, the CPU operates at low speed on the subclock, and the program is executed one after another. Peripheral modules other than WDT0 and WDT1 are also stopped.

When operating the CPU in subactive mode, the SCK2 to SCK0 bits in SCKCR must be set to 0.

Subactive mode is canceled by the SLEEP instruction or signals at the  $\overline{\text{RES}}$  or  $\overline{\text{STBY}}$  pin.



When the SLEEP instruction is executed with the SSBY bit in SBYCR = 1, the DTON bit in LPWRCR = 0, and the PSS bit in TCSR (WDT1) = 1, subactive mode is canceled and a transition is made to watch mode. When the SLEEP instruction is executed with the SSBY bit in SBYCR = 0, the LSON bit in LPWRCR = 1, and the PSS bit in TCSR (WDT1) = 1, a transition is made to subsleep mode. When the SLEEP instruction is executed with the SSBY bit in SBYCR = 1, the DTON bit in LPWRCR = 1, the LSON bit = 0, and the PSS bit in TCSR (WDT1) = 1, a direct transition is made to high-speed mode (SCK0 to SCK2 are all 0).

For details on direct transitions, see section 21.10, Direct Transitions

For canceling subactive mode by the  $\overline{\text{RES}}$  pin, see section 21.4, Software Standby Mode.

When the  $\overline{\text{STBY}}$  pin is driven low, a transition is made to hardware standby mode.

## 21.9 Module Stop Mode

Module stop mode can be set for individual on-chip peripheral modules.

When the corresponding MSTP bit in MSTPCR is set to 1, module operation stops at the end of the bus cycle and a transition is made to module stop mode. The CPU continues operating independently.

Table 21.4 shows MSTP bits and the corresponding on-chip supporting modules.

When the corresponding MSTP bit is cleared to 0, module stop mode is canceled and the module starts operating at the end of the bus cycle. In module stop mode, the internal states of modules other than the SCI\*, motor control PWM, A/D converter, and HCAN are retained.

After reset clearance, all modules other than DTC are in module stop mode.

When an on-chip peripheral module is in module stop mode, read/write access to its registers is disabled.

Note \* Internal states in some part of registers in SCI are retained.

## 21.10 Direct Transitions

### 21.10.1 Overview of Direct Transitions

There are three modes, high-speed, medium-speed, and subactive, in which the CPU executes programs. When a direct transition is made, there is no interruption of program execution in shifting between high-speed and subactive modes. Direct transitions are enabled by setting the DTON bit in LPWRCR to 1, then executing the SLEEP instruction. After a transition, direct transition interrupt exception handling starts.

**Direct Transition from High-Speed Mode to Subactive Mode:** Execute the SLEEP instruction in high-speed mode with the SSBY bit in SBYCR = 1, the LSON bit in LPWRCR = 1, the DTON bit = 1, and the PSS bit in TCSR (WDT1) = 1, to make a direct transition to subactive mode.

**Direct Transition from Subactive Mode to High-Speed Mode:** Execute the SLEEP instruction in subactive mode with the SSBY bit in SBYCR = 1, the LSON bit in LPWRCR = 0, the DTON bit = 1, and the PSS bit in TCSR (WDT\_1) = 1, to make a direct transition to high-speed mode after the time set in the STS2 to STS0 bits in SBYCR has elapsed.

## 21.11 $\phi$ Clock Output Disabling Function

The output of the  $\phi$  clock can be controlled by means of the PSTOP bit in SCKCR and DDR for the corresponding port. When the PSTOP bit is set to 1, the  $\phi$  clock stops at the end of the bus cycle, and  $\phi$  output goes high.  $\phi$  clock output is enabled when the PSTOP bit is cleared to 0. When DDR for the corresponding port is cleared to 0,  $\phi$  clock output is disabled and input port mode is set. Table 21.4 shows the state of the  $\phi$  pin in each processing state.

**Table 21.4  $\phi$  Pin State in Each Processing State**

Register Settings		High-Speed Mode, Medium-Speed Mode, Subactive Mode	Sleep Mode, Subsleep Mode	Software Standby Mode, Watch Mode, Direct Transitions	Hardware Standby Mode
DDR	PSTOP				
0	X	High impedance	High impedance	High impedance	High impedance
1	0	$\phi$ output	$\phi$ output	Fixed high	
1	1	Fixed high	Fixed high		

[Legend]

X: Don't care

## **21.12 Usage Notes**

### **21.12.1 I/O Port Status**

The status of the I/O ports is retained in software standby mode and watch mode. When the OPE bit is set to 1, the address bus and bus control signal outputs are also retained. Therefore, when a high level is output, the current consumption is not diminished by the amount of current to support the high level output.

### **21.12.2 Current Consumption during Oscillation Stabilization Wait Period**

The current consumption increases during the oscillation stabilization wait period.

### **21.12.3 DTC Module Stop Setting**

The MSTPA6 bits cannot be set to 1 depending on the DTC operating status. Module stop mode for the DTC must be specified while the DTC is stopped.

For details, see section 8, Data Transfer Controller (DTC).

### **21.12.4 On-Chip Peripheral Module Interrupts**

Relevant interrupt operations cannot be performed in module stop mode. Consequently, if module stop mode is entered when an interrupt has been requested, it will not be possible to clear the CPU interrupt source activation source. Interrupts should therefore be disabled before entering module stop mode.

### **21.12.5 Writing to MSTPCR**

MSTPCR should only be written to by the CPU.



## Section 22 List of Registers

The register list gives information on the on-chip I/O register addresses, how the register bits are configured, and the register states in each operating mode. The information is given as shown below.

1. Register addresses (address order)
  - Registers are listed from the lower allocation addresses.
  - Registers are classified according to functional modules.
  - The access size is indicated.
2. Register bits
  - Bit configurations of the registers are listed in the same order as the register addresses.
  - Reserved bits are indicated by — in the bit name column.
  - No entry in the bit-name column indicates that the whole register is allocated as a counter or for holding data.
3. Register states in each operating mode
  - Register states are listed in the same order as the register addresses.
  - The register states shown here are for the basic operating modes. If there is a specific reset for an on-chip module, refer to the section on that on-chip module.

## 22.1 Register Addresses (Address Order)

The data bus width indicates the numbers of bits by which the register is accessed.

The number of access states indicates the number of states based on the specified reference clock.

Register Name	Abbreviation	Number of Bits	Address*	Module	Data Bus Width	Number of Access States
Master control register_0	MCR_0	8	H'F800	HCAN_0	16	4
General status register_0	GSR_0	8	H'F801	HCAN_0	16	4
Bit configuration register_0	BCR_0	16	H'F802	HCAN_0	16	4
Mailbox configuration register_0	MBCR_0	16	H'F804	HCAN_0	16	4
Transmit wait register_0	TXPR_0	16	H'F806	HCAN_0	16	4
Transmit wait cancel register_0	TXCR_0	16	H'F808	HCAN_0	16	4
Transmit acknowledge register_0	TXACK_0	16	H'F80A	HCAN_0	16	4
Abort acknowledge register_0	ABACK_0	16	H'F80C	HCAN_0	16	4
Receive complete register_0	RXPR_0	16	H'F80E	HCAN_0	16	4
Remote request register_0	RFPR_0	16	H'F810	HCAN_0	16	4
Interrupt register_0	IRR_0	16	H'F812	HCAN_0	16	4
Mailbox interrupt mask register_0	MBIMR_0	16	H'F814	HCAN_0	16	4
Interrupt mask register_0	IMR_0	16	H'F816	HCAN_0	16	4
Receive error counter_0	REC_0	8	H'F818	HCAN_0	16	4
Transmit error counter_0	TEC_0	8	H'F819	HCAN_0	16	4
Unread message status register_0	UMSR_0	16	H'F81A	HCAN_0	16	4
Local acceptance filter mask L_0	LAFML_0	16	H'F81C	HCAN_0	16	4
Local acceptance filter mask H_0	LAFMH_0	16	H'F81E	HCAN_0	16	4
Message control 0[1]	MC0[1]	8	H'F820	HCAN_0	16	4
Message control 0[2]	MC0[2]	8	H'F821	HCAN_0	16	4
Message control 0[3]	MC0[3]	8	H'F822	HCAN_0	16	4
Message control 0[4]	MC0[4]	8	H'F823	HCAN_0	16	4
Message control 0[5]	MC0[5]	8	H'F824	HCAN_0	16	4
Message control 0[6]	MC0[6]	8	H'F825	HCAN_0	16	4
Message control 0[7]	MC0[7]	8	H'F826	HCAN_0	16	4

Register Name	Abbreviation	Number of Bits	Address*	Module	Data Bus Width	Number of Access States
Message control 0[8]	MC0[8]	8	H'F827	HCAN_0	16	4
Message control 1[1]	MC1[1]	8	H'F828	HCAN_0	16	4
Message control 1[2]	MC1[2]	8	H'F829	HCAN_0	16	4
Message control 1[3]	MC1[3]	8	H'F82A	HCAN_0	16	4
Message control 1[4]	MC1[4]	8	H'F82B	HCAN_0	16	4
Message control 1[5]	MC1[5]	8	H'F82C	HCAN_0	16	4
Message control 1[6]	MC1[6]	8	H'F82D	HCAN_0	16	4
Message control 1[7]	MC1[7]	8	H'F82E	HCAN_0	16	4
Message control 1[8]	MC1[8]	8	H'F82F	HCAN_0	16	4
Message control 2[1]	MC2[1]	8	H'F830	HCAN_0	16	4
Message control 2[2]	MC2[2]	8	H'F831	HCAN_0	16	4
Message control 2[3]	MC2[3]	8	H'F832	HCAN_0	16	4
Message control 2[4]	MC2[4]	8	H'F833	HCAN_0	16	4
Message control 2[5]	MC2[5]	8	H'F834	HCAN_0	16	4
Message control 2[6]	MC2[6]	8	H'F835	HCAN_0	16	4
Message control 2[7]	MC2[7]	8	H'F836	HCAN_0	16	4
Message control 2[8]	MC2[8]	8	H'F837	HCAN_0	16	4
Message control 3[1]	MC3[1]	8	H'F838	HCAN_0	16	4
Message control 3[2]	MC3[2]	8	H'F839	HCAN_0	16	4
Message control 3[3]	MC3[3]	8	H'F83A	HCAN_0	16	4
Message control 3[4]	MC3[4]	8	H'F83B	HCAN_0	16	4
Message control 3[5]	MC3[5]	8	H'F83C	HCAN_0	16	4
Message control 3[6]	MC3[6]	8	H'F83D	HCAN_0	16	4
Message control 3[7]	MC3[7]	8	H'F83E	HCAN_0	16	4
Message control 3[8]	MC3[8]	8	H'F83F	HCAN_0	16	4
Message control 4[1]	MC4[1]	8	H'F840	HCAN_0	16	4
Message control 4[2]	MC4[2]	8	H'F841	HCAN_0	16	4
Message control 4[3]	MC4[3]	8	H'F842	HCAN_0	16	4
Message control 4[4]	MC4[4]	8	H'F843	HCAN_0	16	4
Message control 4[5]	MC4[5]	8	H'F844	HCAN_0	16	4

Register Name	Abbreviation	Number of Bits	Address*	Module	Data Bus Width	Number of Access States
Message control 4[6]	MC4[6]	8	H'F845	HCAN_0	16	4
Message control 4[7]	MC4[7]	8	H'F846	HCAN_0	16	4
Message control 4[8]	MC4[8]	8	H'F847	HCAN_0	16	4
Message control 5[1]	MC5[1]	8	H'F848	HCAN_0	16	4
Message control 5[2]	MC5[2]	8	H'F849	HCAN_0	16	4
Message control 5[3]	MC5[3]	8	H'F84A	HCAN_0	16	4
Message control 5[4]	MC5[4]	8	H'F84B	HCAN_0	16	4
Message control 5[5]	MC5[5]	8	H'F84C	HCAN_0	16	4
Message control 5[6]	MC5[6]	8	H'F84D	HCAN_0	16	4
Message control 5[7]	MC5[7]	8	H'F84E	HCAN_0	16	4
Message control 5[8]	MC5[8]	8	H'F84F	HCAN_0	16	4
Message control 6[1]	MC6[1]	8	H'F850	HCAN_0	16	4
Message control 6[2]	MC6[2]	8	H'F851	HCAN_0	16	4
Message control 6[3]	MC6[3]	8	H'F852	HCAN_0	16	4
Message control 6[4]	MC6[4]	8	H'F853	HCAN_0	16	4
Message control 6[5]	MC6[5]	8	H'F854	HCAN_0	16	4
Message control 6[6]	MC6[6]	8	H'F855	HCAN_0	16	4
Message control 6[7]	MC6[7]	8	H'F856	HCAN_0	16	4
Message control 6[8]	MC6[8]	8	H'F857	HCAN_0	16	4
Message control 7[1]	MC7[1]	8	H'F858	HCAN_0	16	4
Message control 7[2]	MC7[2]	8	H'F859	HCAN_0	16	4
Message control 7[3]	MC7[3]	8	H'F85A	HCAN_0	16	4
Message control 7[4]	MC7[4]	8	H'F85B	HCAN_0	16	4
Message control 7[5]	MC7[5]	8	H'F85C	HCAN_0	16	4
Message control 7[6]	MC7[6]	8	H'F85D	HCAN_0	16	4
Message control 7[7]	MC7[7]	8	H'F85E	HCAN_0	16	4
Message control 7[8]	MC7[8]	8	H'F85F	HCAN_0	16	4
Message control 8[1]	MC8[1]	8	H'F860	HCAN_0	16	4
Message control 8[2]	MC8[2]	8	H'F861	HCAN_0	16	4
Message control 8[3]	MC8[3]	8	H'F862	HCAN_0	16	4



Register Name	Abbreviation	Number of Bits	Address*	Module	Data Bus Width	Number of Access States
Message control 8[4]	MC8[4]	8	H'F863	HCAN_0	16	4
Message control 8[5]	MC8[5]	8	H'F864	HCAN_0	16	4
Message control 8[6]	MC8[6]	8	H'F865	HCAN_0	16	4
Message control 8[7]	MC8[7]	8	H'F866	HCAN_0	16	4
Message control 8[8]	MC8[8]	8	H'F867	HCAN_0	16	4
Message control 9[1]	MC9[1]	8	H'F868	HCAN_0	16	4
Message control 9[2]	MC9[2]	8	H'F869	HCAN_0	16	4
Message control 9[3]	MC9[3]	8	H'F86A	HCAN_0	16	4
Message control 9[4]	MC9[4]	8	H'F86B	HCAN_0	16	4
Message control 9[5]	MC9[5]	8	H'F86C	HCAN_0	16	4
Message control 9[6]	MC9[6]	8	H'F86D	HCAN_0	16	4
Message control 9[7]	MC9[7]	8	H'F86E	HCAN_0	16	4
Message control 9[8]	MC9[8]	8	H'F86F	HCAN_0	16	4
Message control 10[1]	MC10[1]	8	H'F870	HCAN_0	16	4
Message control 10[2]	MC10[2]	8	H'F871	HCAN_0	16	4
Message control 10[3]	MC10[3]	8	H'F872	HCAN_0	16	4
Message control 10[4]	MC10[4]	8	H'F873	HCAN_0	16	4
Message control 10[5]	MC10[5]	8	H'F874	HCAN_0	16	4
Message control 10[6]	MC10[6]	8	H'F875	HCAN_0	16	4
Message control 10[7]	MC10[7]	8	H'F876	HCAN_0	16	4
Message control 10[8]	MC10[8]	8	H'F877	HCAN_0	16	4
Message control 11[1]	MC11[1]	8	H'F878	HCAN_0	16	4
Message control 11[2]	MC11[2]	8	H'F879	HCAN_0	16	4
Message control 11[3]	MC11[3]	8	H'F87A	HCAN_0	16	4
Message control 11[4]	MC11[4]	8	H'F87B	HCAN_0	16	4
Message control 11[5]	MC11[5]	8	H'F87C	HCAN_0	16	4
Message control 11[6]	MC11[6]	8	H'F87D	HCAN_0	16	4
Message control 11[7]	MC11[7]	8	H'F87E	HCAN_0	16	4
Message control 11[8]	MC11[8]	8	H'F87F	HCAN_0	16	4

Register Name	Abbreviation	Number of Bits	Address*	Module	Data Bus Width	Number of Access States
Message control 12[1]	MC12[1]	8	H'F880	HCAN_0	16	4
Message control 12[2]	MC12[2]	8	H'F881	HCAN_0	16	4
Message control 12[3]	MC12[3]	8	H'F882	HCAN_0	16	4
Message control 12[4]	MC12[4]	8	H'F883	HCAN_0	16	4
Message control 12[5]	MC12[5]	8	H'F884	HCAN_0	16	4
Message control 12[6]	MC12[6]	8	H'F885	HCAN_0	16	4
Message control 12[7]	MC12[7]	8	H'F886	HCAN_0	16	4
Message control 12[8]	MC12[8]	8	H'F887	HCAN_0	16	4
Message control 13[1]	MC13[1]	8	H'F888	HCAN_0	16	4
Message control 13[2]	MC13[2]	8	H'F889	HCAN_0	16	4
Message control 13[3]	MC13[3]	8	H'F88A	HCAN_0	16	4
Message control 13[4]	MC13[4]	8	H'F88B	HCAN_0	16	4
Message control 13[5]	MC13[5]	8	H'F88C	HCAN_0	16	4
Message control 13[6]	MC13[6]	8	H'F88D	HCAN_0	16	4
Message control 13[7]	MC13[7]	8	H'F88E	HCAN_0	16	4
Message control 13[8]	MC13[8]	8	H'F88F	HCAN_0	16	4
Message control 14[1]	MC14[1]	8	H'F890	HCAN_0	16	4
Message control 14[2]	MC14[2]	8	H'F891	HCAN_0	16	4
Message control 14[3]	MC14[3]	8	H'F892	HCAN_0	16	4
Message control 14[4]	MC14[4]	8	H'F893	HCAN_0	16	4
Message control 14[5]	MC14[5]	8	H'F894	HCAN_0	16	4
Message control 14[6]	MC14[6]	8	H'F895	HCAN_0	16	4
Message control 14[7]	MC14[7]	8	H'F896	HCAN_0	16	4
Message control 14[8]	MC14[8]	8	H'F897	HCAN_0	16	4
Message control 15[1]	MC15[1]	8	H'F898	HCAN_0	16	4
Message control 15[2]	MC15[2]	8	H'F899	HCAN_0	16	4
Message control 15[3]	MC15[3]	8	H'F89A	HCAN_0	16	4
Message control 15[4]	MC15[4]	8	H'F89B	HCAN_0	16	4
Message control 15[5]	MC15[5]	8	H'F89C	HCAN_0	16	4
Message control 15[6]	MC15[6]	8	H'F89D	HCAN_0	16	4

Register Name	Abbreviation	Number of Bits	Address*	Module	Data Bus Width	Number of Access States
Message control 15[7]	MC15[7]	8	H'F89E	HCAN_0	16	4
Message control 15[8]	MC15[8]	8	H'F89F	HCAN_0	16	4
Message data 0[1]	MD0[1]	8	H'F8B0	HCAN_0	16	4
Message data 0[2]	MD0[2]	8	H'F8B1	HCAN_0	16	4
Message data 0[3]	MD0[3]	8	H'F8B2	HCAN_0	16	4
Message data 0[4]	MD0[4]	8	H'F8B3	HCAN_0	16	4
Message data 0[5]	MD0[5]	8	H'F8B4	HCAN_0	16	4
Message data 0[6]	MD0[6]	8	H'F8B5	HCAN_0	16	4
Message data 0[7]	MD0[7]	8	H'F8B6	HCAN_0	16	4
Message data 0[8]	MD0[8]	8	H'F8B7	HCAN_0	16	4
Message data 1[1]	MD1[1]	8	H'F8B8	HCAN_0	16	4
Message data 1[2]	MD1[2]	8	H'F8B9	HCAN_0	16	4
Message data 1[3]	MD1[3]	8	H'F8BA	HCAN_0	16	4
Message data 1[4]	MD1[4]	8	H'F8BB	HCAN_0	16	4
Message data 1[5]	MD1[5]	8	H'F8BC	HCAN_0	16	4
Message data 1[6]	MD1[6]	8	H'F8BD	HCAN_0	16	4
Message data 1[7]	MD1[7]	8	H'F8BE	HCAN_0	16	4
Message data 1[8]	MD1[8]	8	H'F8BF	HCAN_0	16	4
Message data 2[1]	MD2[1]	8	H'F8C0	HCAN_0	16	4
Message data 2[2]	MD2[2]	8	H'F8C1	HCAN_0	16	4
Message data 2[3]	MD2[3]	8	H'F8C2	HCAN_0	16	4
Message data 2[4]	MD2[4]	8	H'F8C3	HCAN_0	16	4
Message data 2[5]	MD2[5]	8	H'F8C4	HCAN_0	16	4
Message data 2[6]	MD2[6]	8	H'F8C5	HCAN_0	16	4
Message data 2[7]	MD2[7]	8	H'F8C6	HCAN_0	16	4
Message data 2[8]	MD2[8]	8	H'F8C7	HCAN_0	16	4
Message data 3[1]	MD3[1]	8	H'F8C8	HCAN_0	16	4
Message data 3[2]	MD3[2]	8	H'F8C9	HCAN_0	16	4
Message data 3[3]	MD3[3]	8	H'F8CA	HCAN_0	16	4
Message data 3[4]	MD3[4]	8	H'F8CB	HCAN_0	16	4

Register Name	Abbreviation	Number of Bits	Address*	Module	Data Bus Width	Number of Access States
Message data 3[5]	MD3[5]	8	H'F8CC	HCAN_0	16	4
Message data 3[6]	MD3[6]	8	H'F8CD	HCAN_0	16	4
Message data 3[7]	MD3[7]	8	H'F8CE	HCAN_0	16	4
Message data 3[8]	MD3[8]	8	H'F8CF	HCAN_0	16	4
Message data 4[1]	MD4[1]	8	H'F8D0	HCAN_0	16	4
Message data 4[2]	MD4[2]	8	H'F8D1	HCAN_0	16	4
Message data 4[3]	MD4[3]	8	H'F8D2	HCAN_0	16	4
Message data 4[4]	MD4[4]	8	H'F8D3	HCAN_0	16	4
Message data 4[5]	MD4[5]	8	H'F8D4	HCAN_0	16	4
Message data 4[6]	MD4[6]	8	H'F8D5	HCAN_0	16	4
Message data 4[7]	MD4[7]	8	H'F8D6	HCAN_0	16	4
Message data 4[8]	MD4[8]	8	H'F8D7	HCAN_0	16	4
Message data 5[1]	MD5[1]	8	H'F8D8	HCAN_0	16	4
Message data 5[2]	MD5[2]	8	H'F8D9	HCAN_0	16	4
Message data 5[3]	MD5[3]	8	H'F8DA	HCAN_0	16	4
Message data 5[4]	MD5[4]	8	H'F8DB	HCAN_0	16	4
Message data 5[5]	MD5[5]	8	H'F8DC	HCAN_0	16	4
Message data 5[6]	MD5[6]	8	H'F8DD	HCAN_0	16	4
Message data 5[7]	MD5[7]	8	H'F8DE	HCAN_0	16	4
Message data 5[8]	MD5[8]	8	H'F8DF	HCAN_0	16	4
Message data 6[1]	MD6[1]	8	H'F8E0	HCAN_0	16	4
Message data 6[2]	MD6[2]	8	H'F8E1	HCAN_0	16	4
Message data 6[3]	MD6[3]	8	H'F8E2	HCAN_0	16	4
Message data 6[4]	MD6[4]	8	H'F8E3	HCAN_0	16	4
Message data 6[5]	MD6[5]	8	H'F8E4	HCAN_0	16	4
Message data 6[6]	MD6[6]	8	H'F8E5	HCAN_0	16	4
Message data 6[7]	MD6[7]	8	H'F8E6	HCAN_0	16	4
Message data 6[8]	MD6[8]	8	H'F8E7	HCAN_0	16	4
Message data 7[1]	MD7[1]	8	H'F8E8	HCAN_0	16	4
Message data 7[2]	MD7[2]	8	H'F8E9	HCAN_0	16	4

Register Name	Abbreviation	Number of Bits	Address*	Module	Data Bus Width	Number of Access States
Message data 7[3]	MD7[3]	8	H'F8EA	HCAN_0	16	4
Message data 7[4]	MD7[4]	8	H'F8EB	HCAN_0	16	4
Message data 7[5]	MD7[5]	8	H'F8EC	HCAN_0	16	4
Message data 7[6]	MD7[6]	8	H'F8ED	HCAN_0	16	4
Message data 7[7]	MD7[7]	8	H'F8EE	HCAN_0	16	4
Message data 7[8]	MD7[8]	8	H'F8EF	HCAN_0	16	4
Message data 8[1]	MD8[1]	8	H'F8F0	HCAN_0	16	4
Message data 8[2]	MD8[2]	8	H'F8F1	HCAN_0	16	4
Message data 8[3]	MD8[3]	8	H'F8F2	HCAN_0	16	4
Message data 8[4]	MD8[4]	8	H'F8F3	HCAN_0	16	4
Message data 8[5]	MD8[5]	8	H'F8F4	HCAN_0	16	4
Message data 8[6]	MD8[6]	8	H'F8F5	HCAN_0	16	4
Message data 8[7]	MD8[7]	8	H'F8F6	HCAN_0	16	4
Message data 8[8]	MD8[8]	8	H'F8F7	HCAN_0	16	4
Message data 9[1]	MD9[1]	8	H'F8F8	HCAN_0	16	4
Message data 9[2]	MD9[2]	8	H'F8F9	HCAN_0	16	4
Message data 9[3]	MD9[3]	8	H'F8FA	HCAN_0	16	4
Message data 9[4]	MD9[4]	8	H'F8FB	HCAN_0	16	4
Message data 9[5]	MD9[5]	8	H'F8FC	HCAN_0	16	4
Message data 9[6]	MD9[6]	8	H'F8FD	HCAN_0	16	4
Message data 9[7]	MD9[7]	8	H'F8FE	HCAN_0	16	4
Message data 9[8]	MD9[8]	8	H'F8FF	HCAN_0	16	4
Message data 10[1]	MD10[1]	8	H'F900	HCAN_0	16	4
Message data 10[2]	MD10[2]	8	H'F901	HCAN_0	16	4
Message data 10[3]	MD10[3]	8	H'F902	HCAN_0	16	4
Message data 10[4]	MD10[4]	8	H'F903	HCAN_0	16	4
Message data 10[5]	MD10[5]	8	H'F904	HCAN_0	16	4
Message data 10[6]	MD10[6]	8	H'F905	HCAN_0	16	4
Message data 10[7]	MD10[7]	8	H'F906	HCAN_0	16	4
Message data 10[8]	MD10[8]	8	H'F907	HCAN_0	16	4

Register Name	Abbreviation	Number of Bits	Address*	Module	Data Bus Width	Number of Access States
Message data 11[1]	MD11[1]	8	H'F908	HCAN_0	16	4
Message data 11[2]	MD11[2]	8	H'F909	HCAN_0	16	4
Message data 11[3]	MD11[3]	8	H'F90A	HCAN_0	16	4
Message data 11[4]	MD11[4]	8	H'F90B	HCAN_0	16	4
Message data 11[5]	MD11[5]	8	H'F90C	HCAN_0	16	4
Message data 11[6]	MD11[6]	8	H'F90D	HCAN_0	16	4
Message data 11[7]	MD11[7]	8	H'F90E	HCAN_0	16	4
Message data 11[8]	MD11[8]	8	H'F90F	HCAN_0	16	4
Message data 12[1]	MD12[1]	8	H'F910	HCAN_0	16	4
Message data 12[2]	MD12[2]	8	H'F911	HCAN_0	16	4
Message data 12[3]	MD12[3]	8	H'F912	HCAN_0	16	4
Message data 12[4]	MD12[4]	8	H'F913	HCAN_0	16	4
Message data 12[5]	MD12[5]	8	H'F914	HCAN_0	16	4
Message data 12[6]	MD12[6]	8	H'F915	HCAN_0	16	4
Message data 12[7]	MD12[7]	8	H'F916	HCAN_0	16	4
Message data 12[8]	MD12[8]	8	H'F917	HCAN_0	16	4
Message data 13[1]	MD13[1]	8	H'F918	HCAN_0	16	4
Message data 13[2]	MD13[2]	8	H'F919	HCAN_0	16	4
Message data 13[3]	MD13[3]	8	H'F91A	HCAN_0	16	4
Message data 13[4]	MD13[4]	8	H'F91B	HCAN_0	16	4
Message data 13[5]	MD13[5]	8	H'F91C	HCAN_0	16	4
Message data 13[6]	MD13[6]	8	H'F91D	HCAN_0	16	4
Message data 13[7]	MD13[7]	8	H'F91E	HCAN_0	16	4
Message data 13[8]	MD13[8]	8	H'F91F	HCAN_0	16	4
Message data 14[1]	MD14[1]	8	H'F920	HCAN_0	16	4
Message data 14[2]	MD14[2]	8	H'F921	HCAN_0	16	4
Message data 14[3]	MD14[3]	8	H'F922	HCAN_0	16	4
Message data 14[4]	MD14[4]	8	H'F923	HCAN_0	16	4
Message data 14[5]	MD14[5]	8	H'F924	HCAN_0	16	4
Message data 14[6]	MD14[6]	8	H'F925	HCAN_0	16	4

Register Name	Abbreviation	Number of Bits	Address*	Module	Data Bus Width	Number of Access States
Message data 14[7]	MD14[7]	8	H'F926	HCAN_0	16	4
Message data 14[8]	MD14[8]	8	H'F927	HCAN_0	16	4
Message data 15[1]	MD15[1]	8	H'F928	HCAN_0	16	4
Message data 15[2]	MD15[2]	8	H'F929	HCAN_0	16	4
Message data 15[3]	MD15[3]	8	H'F92A	HCAN_0	16	4
Message data 15[4]	MD15[4]	8	H'F92B	HCAN_0	16	4
Message data 15[5]	MD15[5]	8	H'F92C	HCAN_0	16	4
Message data 15[6]	MD15[6]	8	H'F92D	HCAN_0	16	4
Message data 15[7]	MD15[7]	8	H'F92E	HCAN_0	16	4
Message data 15[8]	MD15[8]	8	H'F92F	HCAN_0	16	4
HCAN monitor register	HCANMON_0	8	H'F930	HCAN_0	16	4
Master control register_1	MCR_1	8	H'FA00	HCAN_1	16	4
General status register_1	GSR_1	8	H'FA01	HCAN_1	16	4
Bit configuration register_1	BCR_1	16	H'FA02	HCAN_1	16	4
Mailbox configuration register_1	MBCR_1	16	H'FA04	HCAN_1	16	4
Transmit wait register_1	TXPR_1	16	H'FA06	HCAN_1	16	4
Transmit wait cancel register_1	TXCR_1	16	H'FA08	HCAN_1	16	4
Transmit acknowledge register_1	TXACK_1	16	H'FA0A	HCAN_1	16	4
Abort acknowledge register_1	ABACK_1	16	H'FA0C	HCAN_1	16	4
Receive complete register_1	RXPR_1	16	H'FA0E	HCAN_1	16	4
Remote request register_1	RFPR_1	16	H'FA10	HCAN_1	16	4
Interrupt register_1	IRR_1	16	H'FA12	HCAN_1	16	4
Mailbox interrupt mask register_1	MBIMR_1	16	H'FA14	HCAN_1	16	4
Interrupt mask register_1	IMR_1	16	H'FA16	HCAN_1	16	4
Receive error counter_1	REC_1	8	H'FA18	HCAN_1	16	4
Transmit error counter_1	TEC_1	8	H'FA19	HCAN_1	16	4
Unread message status register_1	UMSR_1	16	H'FA1A	HCAN_1	16	4
Local acceptance filter mask L_1	LAFML_1	16	H'FA1C	HCAN_1	16	4
Local acceptance filter mask H_1	LAFMH_1	16	H'FA1E	HCAN_1	16	4

Register Name	Abbreviation	Number of Bits	Address*	Module	Data Bus Width	Number of Access States
Message control 0[1]	MC0[1]	8	H'FA20	HCAN_1	16	4
Message control 0[2]	MC0[2]	8	H'FA21	HCAN_1	16	4
Message control 0[3]	MC0[3]	8	H'FA22	HCAN_1	16	4
Message control 0[4]	MC0[4]	8	H'FA23	HCAN_1	16	4
Message control 0[5]	MC0[5]	8	H'FA24	HCAN_1	16	4
Message control 0[6]	MC0[6]	8	H'FA25	HCAN_1	16	4
Message control 0[7]	MC0[7]	8	H'FA26	HCAN_1	16	4
Message control 0[8]	MC0[8]	8	H'FA27	HCAN_1	16	4
Message control 1[1]	MC1[1]	8	H'FA28	HCAN_1	16	4
Message control 1[2]	MC1[2]	8	H'FA29	HCAN_1	16	4
Message control 1[3]	MC1[3]	8	H'FA2A	HCAN_1	16	4
Message control 1[4]	MC1[4]	8	H'FA2B	HCAN_1	16	4
Message control 1[5]	MC1[5]	8	H'FA2C	HCAN_1	16	4
Message control 1[6]	MC1[6]	8	H'FA2D	HCAN_1	16	4
Message control 1[7]	MC1[7]	8	H'FA2E	HCAN_1	16	4
Message control 1[8]	MC1[8]	8	H'FA2F	HCAN_1	16	4
Message control 2[1]	MC2[1]	8	H'FA30	HCAN_1	16	4
Message control 2[2]	MC2[2]	8	H'FA31	HCAN_1	16	4
Message control 2[3]	MC2[3]	8	H'FA32	HCAN_1	16	4
Message control 2[4]	MC2[4]	8	H'FA33	HCAN_1	16	4
Message control 2[5]	MC2[5]	8	H'FA34	HCAN_1	16	4
Message control 2[6]	MC2[6]	8	H'FA35	HCAN_1	16	4
Message control 2[7]	MC2[7]	8	H'FA36	HCAN_1	16	4
Message control 2[8]	MC2[8]	8	H'FA37	HCAN_1	16	4
Message control 3[1]	MC3[1]	8	H'FA38	HCAN_1	16	4
Message control 3[2]	MC3[2]	8	H'FA39	HCAN_1	16	4
Message control 3[3]	MC3[3]	8	H'FA3A	HCAN_1	16	4
Message control 3[4]	MC3[4]	8	H'FA3B	HCAN_1	16	4
Message control 3[5]	MC3[5]	8	H'FA3C	HCAN_1	16	4



Register Name	Abbreviation	Number of Bits	Address*	Module	Data Bus Width	Number of Access States
Message control 3[6]	MC3[6]	8	H'FA3D	HCAN_1	16	4
Message control 3[7]	MC3[7]	8	H'FA3E	HCAN_1	16	4
Message control 3[8]	MC3[8]	8	H'FA3F	HCAN_1	16	4
Message control 4[1]	MC4[1]	8	H'FA40	HCAN_1	16	4
Message control 4[2]	MC4[2]	8	H'FA41	HCAN_1	16	4
Message control 4[3]	MC4[3]	8	H'FA42	HCAN_1	16	4
Message control 4[4]	MC4[4]	8	H'FA43	HCAN_1	16	4
Message control 4[5]	MC4[5]	8	H'FA44	HCAN_1	16	4
Message control 4[6]	MC4[6]	8	H'FA45	HCAN_1	16	4
Message control 4[7]	MC4[7]	8	H'FA46	HCAN_1	16	4
Message control 4[8]	MC4[8]	8	H'FA47	HCAN_1	16	4
Message control 5[1]	MC5[1]	8	H'FA48	HCAN_1	16	4
Message control 5[2]	MC5[2]	8	H'FA49	HCAN_1	16	4
Message control 5[3]	MC5[3]	8	H'FA4A	HCAN_1	16	4
Message control 5[4]	MC5[4]	8	H'FA4B	HCAN_1	16	4
Message control 5[5]	MC5[5]	8	H'FA4C	HCAN_1	16	4
Message control 5[6]	MC5[6]	8	H'FA4D	HCAN_1	16	4
Message control 5[7]	MC5[7]	8	H'FA4E	HCAN_1	16	4
Message control 5[8]	MC5[8]	8	H'FA4F	HCAN_1	16	4
Message control 6[1]	MC6[1]	8	H'FA50	HCAN_1	16	4
Message control 6[2]	MC6[2]	8	H'FA51	HCAN_1	16	4
Message control 6[3]	MC6[3]	8	H'FA52	HCAN_1	16	4
Message control 6[4]	MC6[4]	8	H'FA53	HCAN_1	16	4
Message control 6[5]	MC6[5]	8	H'FA54	HCAN_1	16	4
Message control 6[6]	MC6[6]	8	H'FA55	HCAN_1	16	4
Message control 6[7]	MC6[7]	8	H'FA56	HCAN_1	16	4
Message control 6[8]	MC6[8]	8	H'FA57	HCAN_1	16	4
Message control 7[1]	MC7[1]	8	H'FA58	HCAN_1	16	4
Message control 7[2]	MC7[2]	8	H'FA59	HCAN_1	16	4
Message control 7[3]	MC7[3]	8	H'FA5A	HCAN_1	16	4

Register Name	Abbreviation	Number of Bits	Address*	Module	Data Bus Width	Number of Access States
Message control 7[4]	MC7[4]	8	H'FA5B	HCAN_1	16	4
Message control 7[5]	MC7[5]	8	H'FA5C	HCAN_1	16	4
Message control 7[6]	MC7[6]	8	H'FA5D	HCAN_1	16	4
Message control 7[7]	MC7[7]	8	H'FA5E	HCAN_1	16	4
Message control 7[8]	MC7[8]	8	H'FA5F	HCAN_1	16	4
Message control 8[1]	MC8[1]	8	H'FA60	HCAN_1	16	4
Message control 8[2]	MC8[2]	8	H'FA61	HCAN_1	16	4
Message control 8[3]	MC8[3]	8	H'FA62	HCAN_1	16	4
Message control 8[4]	MC8[4]	8	H'FA63	HCAN_1	16	4
Message control 8[5]	MC8[5]	8	H'FA64	HCAN_1	16	4
Message control 8[6]	MC8[6]	8	H'FA65	HCAN_1	16	4
Message control 8[7]	MC8[7]	8	H'FA66	HCAN_1	16	4
Message control 8[8]	MC8[8]	8	H'FA67	HCAN_1	16	4
Message control 9[1]	MC9[1]	8	H'FA68	HCAN_1	16	4
Message control 9[2]	MC9[2]	8	H'FA69	HCAN_1	16	4
Message control 9[3]	MC9[3]	8	H'FA6A	HCAN_1	16	4
Message control 9[4]	MC9[4]	8	H'FA6B	HCAN_1	16	4
Message control 9[5]	MC9[5]	8	H'FA6C	HCAN_1	16	4
Message control 9[6]	MC9[6]	8	H'FA6D	HCAN_1	16	4
Message control 9[7]	MC9[7]	8	H'FA6E	HCAN_1	16	4
Message control 9[8]	MC9[8]	8	H'FA6F	HCAN_1	16	4
Message control 10[1]	MC10[1]	8	H'FA70	HCAN_1	16	4
Message control 10[2]	MC10[2]	8	H'FA71	HCAN_1	16	4
Message control 10[3]	MC10[3]	8	H'FA72	HCAN_1	16	4
Message control 10[4]	MC10[4]	8	H'FA73	HCAN_1	16	4
Message control 10[5]	MC10[5]	8	H'FA74	HCAN_1	16	4
Message control 10[6]	MC10[6]	8	H'FA75	HCAN_1	16	4
Message control 10[7]	MC10[7]	8	H'FA76	HCAN_1	16	4
Message control 10[8]	MC10[8]	8	H'FA77	HCAN_1	16	4

Register Name	Abbreviation	Number of Bits	Address*	Module	Data Bus Width	Number of Access States
Message control 11[1]	MC11[1]	8	H'FA78	HCAN_1	16	4
Message control 11[2]	MC11[2]	8	H'FA79	HCAN_1	16	4
Message control 11[3]	MC11[3]	8	H'FA7A	HCAN_1	16	4
Message control 11[4]	MC11[4]	8	H'FA7B	HCAN_1	16	4
Message control 11[5]	MC11[5]	8	H'FA7C	HCAN_1	16	4
Message control 11[6]	MC11[6]	8	H'FA7D	HCAN_1	16	4
Message control 11[7]	MC11[7]	8	H'FA7E	HCAN_1	16	4
Message control 11[8]	MC11[8]	8	H'FA7F	HCAN_1	16	4
Message control 12[1]	MC12[1]	8	H'FA80	HCAN_1	16	4
Message control 12[2]	MC12[2]	8	H'FA81	HCAN_1	16	4
Message control 12[3]	MC12[3]	8	H'FA82	HCAN_1	16	4
Message control 12[4]	MC12[4]	8	H'FA83	HCAN_1	16	4
Message control 12[5]	MC12[5]	8	H'FA84	HCAN_1	16	4
Message control 12[6]	MC12[6]	8	H'FA85	HCAN_1	16	4
Message control 12[7]	MC12[7]	8	H'FA86	HCAN_1	16	4
Message control 12[8]	MC12[8]	8	H'FA87	HCAN_1	16	4
Message control 13[1]	MC13[1]	8	H'FA88	HCAN_1	16	4
Message control 13[2]	MC13[2]	8	H'FA89	HCAN_1	16	4
Message control 13[3]	MC13[3]	8	H'FA8A	HCAN_1	16	4
Message control 13[4]	MC13[4]	8	H'FA8B	HCAN_1	16	4
Message control 13[5]	MC13[5]	8	H'FA8C	HCAN_1	16	4
Message control 13[6]	MC13[6]	8	H'FA8D	HCAN_1	16	4
Message control 13[7]	MC13[7]	8	H'FA8E	HCAN_1	16	4
Message control 13[8]	MC13[8]	8	H'FA8F	HCAN_1	16	4
Message control 14[1]	MC14[1]	8	H'FA90	HCAN_1	16	4
Message control 14[2]	MC14[2]	8	H'FA91	HCAN_1	16	4
Message control 14[3]	MC14[3]	8	H'FA92	HCAN_1	16	4
Message control 14[4]	MC14[4]	8	H'FA93	HCAN_1	16	4
Message control 14[5]	MC14[5]	8	H'FA94	HCAN_1	16	4
Message control 14[6]	MC14[6]	8	H'FA95	HCAN_1	16	4

Register Name	Abbreviation	Number of Bits	Address*	Module	Data Bus Width	Number of Access States
Message control 14[7]	MC14[7]	8	H'FA96	HCAN_1	16	4
Message control 14[8]	MC14[8]	8	H'FA97	HCAN_1	16	4
Message control 15[1]	MC15[1]	8	H'FA98	HCAN_1	16	4
Message control 15[2]	MC15[2]	8	H'FA99	HCAN_1	16	4
Message control 15[3]	MC15[3]	8	H'FA9A	HCAN_1	16	4
Message control 15[4]	MC15[4]	8	H'FA9B	HCAN_1	16	4
Message control 15[5]	MC15[5]	8	H'FA9C	HCAN_1	16	4
Message control 15[6]	MC15[6]	8	H'FA9D	HCAN_1	16	4
Message control 15[7]	MC15[7]	8	H'FA9E	HCAN_1	16	4
Message control 15[8]	MC15[8]	8	H'FA9F	HCAN_1	16	4
Message data 0[1]	MD0[1]	8	H'FAB0	HCAN_1	16	4
Message data 0[2]	MD0[2]	8	H'FAB1	HCAN_1	16	4
Message data 0[3]	MD0[3]	8	H'FAB2	HCAN_1	16	4
Message data 0[4]	MD0[4]	8	H'FAB3	HCAN_1	16	4
Message data 0[5]	MD0[5]	8	H'FAB4	HCAN_1	16	4
Message data 0[6]	MD0[6]	8	H'FAB5	HCAN_1	16	4
Message data 0[7]	MD0[7]	8	H'FAB6	HCAN_1	16	4
Message data 0[8]	MD0[8]	8	H'FAB7	HCAN_1	16	4
Message data 1[1]	MD1[1]	8	H'FAB8	HCAN_1	16	4
Message data 1[2]	MD1[2]	8	H'FAB9	HCAN_1	16	4
Message data 1[3]	MD1[3]	8	H'FABA	HCAN_1	16	4
Message data 1[4]	MD1[4]	8	H'FABB	HCAN_1	16	4
Message data 1[5]	MD1[5]	8	H'FABC	HCAN_1	16	4
Message data 1[6]	MD1[6]	8	H'FABD	HCAN_1	16	4
Message data 1[7]	MD1[7]	8	H'FABE	HCAN_1	16	4
Message data 1[8]	MD1[8]	8	H'FABF	HCAN_1	16	4
Message data 2[1]	MD2[1]	8	H'FAC0	HCAN_1	16	4
Message data 2[2]	MD2[2]	8	H'FAC1	HCAN_1	16	4
Message data 2[3]	MD2[3]	8	H'FAC2	HCAN_1	16	4
Message data 2[4]	MD2[4]	8	H'FAC3	HCAN_1	16	4

Register Name	Abbreviation	Number of Bits	Address*	Module	Data Bus Width	Number of Access States
Message data 2[5]	MD2[5]	8	H'FAC4	HCAN_1	16	4
Message data 2[6]	MD2[6]	8	H'FAC5	HCAN_1	16	4
Message data 2[7]	MD2[7]	8	H'FAC6	HCAN_1	16	4
Message data 2[8]	MD2[8]	8	H'FAC7	HCAN_1	16	4
Message data 3[1]	MD3[1]	8	H'FAC8	HCAN_1	16	4
Message data 3[2]	MD3[2]	8	H'FAC9	HCAN_1	16	4
Message data 3[3]	MD3[3]	8	H'FACA	HCAN_1	16	4
Message data 3[4]	MD3[4]	8	H'FACB	HCAN_1	16	4
Message data 3[5]	MD3[5]	8	H'FACC	HCAN_1	16	4
Message data 3[6]	MD3[6]	8	H'FACD	HCAN_1	16	4
Message data 3[7]	MD3[7]	8	H'FACE	HCAN_1	16	4
Message data 3[8]	MD3[8]	8	H'FACF	HCAN_1	16	4
Message data 4[1]	MD4[1]	8	H'FAD0	HCAN_1	16	4
Message data 4[2]	MD4[2]	8	H'FAD1	HCAN_1	16	4
Message data 4[3]	MD4[3]	8	H'FAD2	HCAN_1	16	4
Message data 4[4]	MD4[4]	8	H'FAD3	HCAN_1	16	4
Message data 4[5]	MD4[5]	8	H'FAD4	HCAN_1	16	4
Message data 4[6]	MD4[6]	8	H'FAD5	HCAN_1	16	4
Message data 4[7]	MD4[7]	8	H'FAD6	HCAN_1	16	4
Message data 4[8]	MD4[8]	8	H'FAD7	HCAN_1	16	4
Message data 5[1]	MD5[1]	8	H'FAD8	HCAN_1	16	4
Message data 5[2]	MD5[2]	8	H'FAD9	HCAN_1	16	4
Message data 5[3]	MD5[3]	8	H'FADA	HCAN_1	16	4
Message data 5[4]	MD5[4]	8	H'FADB	HCAN_1	16	4
Message data 5[5]	MD5[5]	8	H'FADC	HCAN_1	16	4
Message data 5[6]	MD5[6]	8	H'FADD	HCAN_1	16	4
Message data 5[7]	MD5[7]	8	H'FADE	HCAN_1	16	4
Message data 5[8]	MD5[8]	8	H'FADF	HCAN_1	16	4
Message data 6[1]	MD6[1]	8	H'FAE0	HCAN_1	16	4
Message data 6[2]	MD6[2]	8	H'FAE1	HCAN_1	16	4

Register Name	Abbreviation	Number of Bits	Address*	Module	Data Bus Width	Number of Access States
Message data 6[3]	MD6[3]	8	H'FAE2	HCAN_1	16	4
Message data 6[4]	MD6[4]	8	H'FAE3	HCAN_1	16	4
Message data 6[5]	MD6[5]	8	H'FAE4	HCAN_1	16	4
Message data 6[6]	MD6[6]	8	H'FAE5	HCAN_1	16	4
Message data 6[7]	MD6[7]	8	H'FAE6	HCAN_1	16	4
Message data 6[8]	MD6[8]	8	H'FAE7	HCAN_1	16	4
Message data 7[1]	MD7[1]	8	H'FAE8	HCAN_1	16	4
Message data 7[2]	MD7[2]	8	H'FAE9	HCAN_1	16	4
Message data 7[3]	MD7[3]	8	H'FAEA	HCAN_1	16	4
Message data 7[4]	MD7[4]	8	H'FAEB	HCAN_1	16	4
Message data 7[5]	MD7[5]	8	H'FAEC	HCAN_1	16	4
Message data 7[6]	MD7[6]	8	H'FAED	HCAN_1	16	4
Message data 7[7]	MD7[7]	8	H'FAEE	HCAN_1	16	4
Message data 7[8]	MD7[8]	8	H'FAEF	HCAN_1	16	4
Message data 8[1]	MD8[1]	8	H'FAF0	HCAN_1	16	4
Message data 8[2]	MD8[2]	8	H'FAF1	HCAN_1	16	4
Message data 8[3]	MD8[3]	8	H'FAF2	HCAN_1	16	4
Message data 8[4]	MD8[4]	8	H'FAF3	HCAN_1	16	4
Message data 8[5]	MD8[5]	8	H'FAF4	HCAN_1	16	4
Message data 8[6]	MD8[6]	8	H'FAF5	HCAN_1	16	4
Message data 8[7]	MD8[7]	8	H'FAF6	HCAN_1	16	4
Message data 8[8]	MD8[8]	8	H'FAF7	HCAN_1	16	4
Message data 9[1]	MD9[1]	8	H'FAF8	HCAN_1	16	4
Message data 9[2]	MD9[2]	8	H'FAF9	HCAN_1	16	4
Message data 9[3]	MD9[3]	8	H'FAFA	HCAN_1	16	4
Message data 9[4]	MD9[4]	8	H'FAFB	HCAN_1	16	4
Message data 9[5]	MD9[5]	8	H'FAFC	HCAN_1	16	4
Message data 9[6]	MD9[6]	8	H'FAFD	HCAN_1	16	4
Message data 9[7]	MD9[7]	8	H'FAFE	HCAN_1	16	4
Message data 9[8]	MD9[8]	8	H'FAFF	HCAN_1	16	4

Register Name	Abbreviation	Number of Bits	Address*	Module	Data Bus Width	Number of Access States
Message data 10[1]	MD10[1]	8	H'FB00	HCAN_1	16	4
Message data 10[2]	MD10[2]	8	H'FB01	HCAN_1	16	4
Message data 10[3]	MD10[3]	8	H'FB02	HCAN_1	16	4
Message data 10[4]	MD10[4]	8	H'FB03	HCAN_1	16	4
Message data 10[5]	MD10[5]	8	H'FB04	HCAN_1	16	4
Message data 10[6]	MD10[6]	8	H'FB05	HCAN_1	16	4
Message data 10[7]	MD10[7]	8	H'FB06	HCAN_1	16	4
Message data 10[8]	MD10[8]	8	H'FB07	HCAN_1	16	4
Message data 11[1]	MD11[1]	8	H'FB08	HCAN_1	16	4
Message data 11[2]	MD11[2]	8	H'FB09	HCAN_1	16	4
Message data 11[3]	MD11[3]	8	H'FB0A	HCAN_1	16	4
Message data 11[4]	MD11[4]	8	H'FB0B	HCAN_1	16	4
Message data 11[5]	MD11[5]	8	H'FB0C	HCAN_1	16	4
Message data 11[6]	MD11[6]	8	H'FB0D	HCAN_1	16	4
Message data 11[7]	MD11[7]	8	H'FB0E	HCAN_1	16	4
Message data 11[8]	MD11[8]	8	H'FB0F	HCAN_1	16	4
Message data 12[1]	MD12[1]	8	H'FB10	HCAN_1	16	4
Message data 12[2]	MD12[2]	8	H'FB11	HCAN_1	16	4
Message data 12[3]	MD12[3]	8	H'FB12	HCAN_1	16	4
Message data 12[4]	MD12[4]	8	H'FB13	HCAN_1	16	4
Message data 12[5]	MD12[5]	8	H'FB14	HCAN_1	16	4
Message data 12[6]	MD12[6]	8	H'FB15	HCAN_1	16	4
Message data 12[7]	MD12[7]	8	H'FB16	HCAN_1	16	4
Message data 12[8]	MD12[8]	8	H'FB17	HCAN_1	16	4
Message data 13[1]	MD13[1]	8	H'FB18	HCAN_1	16	4
Message data 13[2]	MD13[2]	8	H'FB19	HCAN_1	16	4
Message data 13[3]	MD13[3]	8	H'FB1A	HCAN_1	16	4
Message data 13[4]	MD13[4]	8	H'FB1B	HCAN_1	16	4
Message data 13[5]	MD13[5]	8	H'FB1C	HCAN_1	16	4
Message data 13[6]	MD13[6]	8	H'FB1D	HCAN_1	16	4

Register Name	Abbreviation	Number of Bits	Address*	Module	Data Bus Width	Number of Access States
Message data 13[7]	MD13[7]	8	H'FB1E	HCAN_1	16	4
Message data 13[8]	MD13[8]	8	H'FB1F	HCAN_1	16	4
Message data 14[1]	MD14[1]	8	H'FB20	HCAN_1	16	4
Message data 14[2]	MD14[2]	8	H'FB21	HCAN_1	16	4
Message data 14[3]	MD14[3]	8	H'FB22	HCAN_1	16	4
Message data 14[4]	MD14[4]	8	H'FB23	HCAN_1	16	4
Message data 14[5]	MD14[5]	8	H'FB24	HCAN_1	16	4
Message data 14[6]	MD14[6]	8	H'FB25	HCAN_1	16	4
Message data 14[7]	MD14[7]	8	H'FB26	HCAN_1	16	4
Message data 14[8]	MD14[8]	8	H'FB27	HCAN_1	16	4
Message data 15[1]	MD15[1]	8	H'FB28	HCAN_1	16	4
Message data 15[2]	MD15[2]	8	H'FB29	HCAN_1	16	4
Message data 15[3]	MD15[3]	8	H'FB2A	HCAN_1	16	4
Message data 15[4]	MD15[4]	8	H'FB2B	HCAN_1	16	4
Message data 15[5]	MD15[5]	8	H'FB2C	HCAN_1	16	4
Message data 15[6]	MD15[6]	8	H'FB2D	HCAN_1	16	4
Message data 15[7]	MD15[7]	8	H'FB2E	HCAN_1	16	4
Message data 15[8]	MD15[8]	8	H'FB2F	HCAN_1	16	4
HCAN monitor register_1	HCANMON_1	8	H'FB30	HCAN_1	16	4
PWM control register_1	PWCR_1	8	H'FC00	PWM_1	16	4
PWM output control register_1	PWOCR_1	8	H'FC02	PWM_1	16	4
PWM polarity register_1	PWPR_1	8	H'FC04	PWM_1	16	4
PWM cycle register_1	PWCYR_1	16	H'FC06	PWM_1	16	4
PWM buffer register_1A	PWBFR_1A	16	H'FC08	PWM_1	16	4
PWM buffer register_1C	PWBFR_1C	16	H'FC0A	PWM_1	16	4
PWM buffer register_1E	PWBFR_1E	16	H'FC0C	PWM_1	16	4
PWM buffer register_1G	PWBFR_1G	16	H'FC0E	PWM_1	16	4
PWM control register_2	PWCR_2	8	H'FC10	PWM_2	16	4
PWM output control register_2	PWOCR_2	8	H'FC12	PWM_2	16	4
PWM polarity register_2	PWPR_2	8	H'FC14	PWM_2	16	4



Register Name	Abbreviation	Number of Bits	Address*	Module	Data Bus Width	Number of Access States
PWM cycle register_2	PWCYR_2	16	H'FC16	PWM_2	16	4
PWM buffer register_2A	PWBFR_2A	16	H'FC18	PWM_2	16	4
PWM buffer register_2C	PWBFR_2C	16	H'FC1A	PWM_2	16	4
PWM buffer register_2E	PWBFR_2E	16	H'FC1C	PWM_2	16	4
PWM buffer register_2G	PWBFR_2G	16	H'FC1E	PWM_2	16	4
Port H data direction register	PHDDR	8	H'FC20	PORT	16	4
Port J data direction register	PJDDR	8	H'FC21	PORT	16	4
Port K data direction register	PKDDR	8	H'FC22	PORT	16	4
Port H data register	PHDR	8	H'FC24	PORT	16	4
Port J data register	PJDR	8	H'FC25	PORT	16	4
Port K data register	PKDR	8	H'FC26	PORT	16	4
Port H register	PORTH	8	H'FC28	PORT	16	4
Port J register	PORTJ	8	H'FC29	PORT	16	4
Port K register	PORTK	8	H'FC2A	PORT	16	4
LCD Port control register	LPCR	8	H'FC30	LCD	16	4
LCD control register	LCR	8	H'FC31	LCD	16	4
LCD control register 2	LCR2	8	H'FC32	LCD	16	4
Module stop mode control register_D	MSTPCRD	8	H'FC60	SYSTEM	8	4
PWM buffer transfer control register	PWBTCR	8	H'FC66	PWM common	8	4
Serial mode register_4	SMR_4	8	H'FDD8	SCI_4	8	2
Bit rate register_4	BRR_4	8	H'FDD9	SCI_4	8	2
Serial control register_4	SCR_4	8	H'FDDA	SCI_4	8	2
Transmit data register_4	TDR_4	8	H'Fddb	SCI_4	8	2
Serial status register_4	SSR_4	8	H'FDDC	SCI_4	8	2
Receive data register_4	RDR_4	8	H'FDDD	SCI_4	8	2
Smart card mode register_4	SCMR_4	8	H'FDDE	SCI_4	8	2
Standby control register	SBYCR	8	H'FDE4	SYSTEM	8	2
System control register_4	SYSCR	8	H'FDE5	SYSTEM	8	2
System clock control register	SCKCR	8	H'FDE6	SYSTEM	8	2

Register Name	Abbreviation	Number of Bits	Address*	Module	Data Bus Width	Number of Access States
Mode control register	MDCR	8	H'FDE7	SYSTEM	8	2
Module stop control register A	MSTPCRA	8	H'FDE8	SYSTEM	8	2
Module stop control register B	MSTPCRB	8	H'FDE9	SYSTEM	8	2
Module stop control register C	MSTPCRC	8	H'FDEA	SYSTEM	8	2
Pin function control register	PFCR	8	H'FDEB	BSC	8	2
Low power control register	LPWRCR	8	H'FDEC	SYSTEM	8	2
Break address register A	BARA	32	H'FE00	PBC	32	2
Break address register B	BARB	32	H'FE04	PBC	32	2
Break control register A	BCRA	8	H'FE08	PBC	8	2
Break control register B	BCRB	8	H'FE09	PBC	8	2
IRQ sense control register H	ISCRH	8	H'FE12	INT	8	2
IRQ sense control register L	ISCLR	8	H'FE13	INT	8	2
IRQ enable register	IER	8	H'FE14	INT	8	2
IRQ status register	ISR	8	H'FE15	INT	8	2
DTC enable register A	DTCERA	8	H'FE16	DTC	8	2
DTC enable register B	DTCERB	8	H'FE17	DTC	8	2
DTC enable register C	DTCERC	8	H'FE18	DTC	8	2
DTC enable register D	DTCERD	8	H'FE19	DTC	8	2
DTC enable register E	DTCERE	8	H'FE1A	DTC	8	2
DTC enable register F	DTCERF	8	H'FE1B	DTC	8	2
DTC enable register G	DTCERG	8	H'FE1C	DTC	8	2
DTC enable register I	DTCERI	8	H'FE1E	DTC	8	2
DTC vector register	DTVECR	8	H'FE1F	DTC	8	2
PPG output control register	PCR	8	H'FE26	PPG	8	2
PPG output mode register	PMR	8	H'FE27	PPG	8	2
Next data enable register H	NDERH	8	H'FE28	PPG	8	2
Next data enable register L	NDERL	8	H'FE29	PPG	8	2
Output data register H	PODRH	8	H'FE2A	PPG	8	2
Output data register L	PODRL	8	H'FE2B	PPG	8	2
Next data register H	NDRH	8	H'FE2C	PPG	8	2

Register Name	Abbreviation	Number of Bits	Address*	Module	Data Bus Width	Number of Access States
Next data register L	NDRL	8	H'FE2D	PPG	8	2
Next data register H	NDRH	8	H'FE2E	PPG	8	2
Next data register L	NDRL	8	H'FE2F	PPG	8	2
Port 1 data direction register	P1DDR	8	H'FE30	PORT	8	2
Port 2 data direction register	P2DDR	8	H'FE31	PORT	8	2
Port 3 data direction register	P3DDR	8	H'FE32	PORT	8	2
Port 5 data direction register	P5DDR	8	H'FE34	PORT	8	2
Port A data direction register	PADDR	8	H'FE39	PORT	8	2
Port B data direction register	PBDDR	8	H'FE3A	PORT	8	2
Port C data direction register	PCDDR	8	H'FE3B	PORT	8	2
Port D data direction register	PDDDR	8	H'FE3C	PORT	8	2
Port E data direction register	PEDDR	8	H'FE3D	PORT	8	2
Port F data direction register	PFDDR	8	H'FE3E	PORT	8	2
Port A pull-up MOS control register	PAPCR	8	H'FE40	PORT	8	2
Port B pull-up MOS control register	PBPCR	8	H'FE41	PORT	8	2
Port C pull-up MOS control register	PCPCR	8	H'FE42	PORT	8	2
Port D pull-up MOS control register	PDPCR	8	H'FE43	PORT	8	2
Port E pull-up MOS control register	PEPCR	8	H'FE44	PORT	8	2
Port 3 open-drain control register	P3ODR	8	H'FE46	PORT	8	2
Port A open-drain control register	PAODR	8	H'FE47	PORT	8	2
Port B open-drain control register	PBODR	8	H'FE48	PORT	8	2
Port C open-drain control register	PCODR	8	H'FE49	PORT	8	2
Timer control register_3	TCR_3	8	H'FE80	TPU_3	16	2
Timer mode register_3	TMDR_3	8	H'FE81	TPU_3	16	2
Timer I/O control register H_3	TIORH_3	8	H'FE82	TPU_3	16	2
Timer I/O control register L_3	TIORL_3	8	H'FE83	TPU_3	16	2

Register Name	Abbreviation	Number of Bits	Address*	Module	Data Bus Width	Number of Access States
Timer interrupt enable register_3	TIER_3	8	H'FE84	TPU_3	16	2
Timer status register_3	TSR_3	8	H'FE85	TPU_3	16	2
Timer counter H_3	TCNTH_3	8	H'FE86	TPU_3	16	2
Timer counter L_3	TCNTL_3	8	H'FE87	TPU_3	16	2
Timer general register AH_3	TGRAH_3	8	H'FE88	TPU_3	16	2
Timer general register AL_3	TGRAL_3	8	H'FE89	TPU_3	16	2
Timer general register BH_3	TGRBH_3	8	H'FE8A	TPU_3	16	2
Timer general register BL_3	TGRBL_3	8	H'FE8B	TPU_3	16	2
Timer general register CH_3	TGRCH_3	8	H'FE8C	TPU_3	16	2
Timer general register CL_3	TGRCL_3	8	H'FE8D	TPU_3	16	2
Timer general register DH_3	TGRDH_3	8	H'FE8E	TPU_3	16	2
Timer general register DL_3	TGRDL_3	8	H'FE8F	TPU_3	16	2
Timer control register_4	TCR_4	8	H'FE90	TPU_4	16	2
Timer mode register_4	TMDR_4	8	H'FE91	TPU_4	16	2
Timer I/O control register_4	TIOR_4	8	H'FE92	TPU_4	16	2
Timer interrupt enable register_4	TIER_4	8	H'FE94	TPU_4	16	2
Timer status register_4	TSR_4	8	H'FE95	TPU_4	16	2
Timer counter H_4	TCNTH_4	8	H'FE96	TPU_4	16	2
Timer counter L_4	TCNTL_4	8	H'FE97	TPU_4	16	2
Timer general register AH_4	TGRAH_4	8	H'FE98	TPU_4	16	2
Timer general register AL_4	TGRAL_4	8	H'FE99	TPU_4	16	2
Timer general register BH_4	TGRBH_4	8	H'FE9A	TPU_4	16	2
Timer general register BL_4	TGRBL_4	8	H'FE9B	TPU_4	16	2
Timer control register_5	TCR_5	8	H'FEA0	TPU_5	16	2
Timer mode register_5	TMDR_5	8	H'FEA1	TPU_5	16	2
Timer I/O control register_5	TIOR_5	8	H'FEA2	TPU_5	16	2
Timer interrupt enable register_5	TIER_5	8	H'FEA4	TPU_5	16	2
Timer status register_5	TSR_5	8	H'FEA5	TPU_5	16	2
Timer counter H_5	TCNTH_5	8	H'FEA6	TPU_5	16	2
Timer counter L_5	TCNTL_5	8	H'FEA7	TPU_5	16	2

Register Name	Abbreviation	Number of Bits	Address*	Module	Data Bus Width	Number of Access States
Timer general register AH_5	TGRAH_5	8	H'FEA8	TPU_5	16	2
Timer general register AL_5	TGRAL_5	8	H'FEA9	TPU_5	16	2
Timer general register BH_5	TGRBH_5	8	H'FEAA	TPU_5	16	2
Timer general register BL_5	TGRBL_5	8	H'FEAB	TPU_5	16	2
Timer start register	TSTR	8	H'FEB0	TPU common	16	2
Timer synchro register	TSYR	8	H'FEB1	TPU common	16	2
Interrupt priority register A	IPRA	8	H'FEC0	INT	8	2
Interrupt priority register B	IPRB	8	H'FEC1	INT	8	2
Interrupt priority register C	IPRC	8	H'FEC2	INT	8	2
Interrupt priority register D	IPRD	8	H'FEC3	INT	8	2
Interrupt priority register E	IPRE	8	H'FEC4	INT	8	2
Interrupt priority register F	IPRF	8	H'FEC5	INT	8	2
Interrupt priority register G	IPRG	8	H'FEC6	INT	8	2
Interrupt priority register H	IPRH	8	H'FEC7	INT	8	2
Interrupt priority register J	IPRJ	8	H'FEC9	INT	8	2
Interrupt priority register K	IPRK	8	H'FECA	INT	8	2
Interrupt priority register M	IPRM	8	H'FECC	INT	8	2
Interrupt priority register O	IPRO	8	H'FECE	INT	8	2
Bus width control register	ABWCR	8	H'FED0	BSC	8	2
Access state control register	ASTCR	8	H'FED1	BSC	8	2
Wait control register H	WCRH	8	H'FED2	BSC	8	2
Wait control register L	WCRL	8	H'FED3	BSC	8	2
Bus control register H	BCRH	8	H'FED4	BSC	8	2
Bus control register L	BCRL	8	H'FED5	BSC	8	2
RAM emulation register	RAMER	8	H'FEDB	FLASH (F-ZTAT)	8	2
Port 1 data direction register	P1DR	8	H'FF00	PORT	8	2
Port 2 data direction register	P2DR	8	H'FF01	PORT	8	2
Port 3 data direction register	P3DR	8	H'FF02	PORT	8	2

Register Name	Abbreviation	Number of Bits	Address*	Module	Data Bus Width	Number of Access States
Port 5 data direction register	P5DR	8	H'FF04	PORT	8	2
Port A data direction register	PADR	8	H'FF09	PORT	8	2
Port B data direction register	PBDR	8	H'FF0A	PORT	8	2
Port C data direction register	PCDR	8	H'FF0B	PORT	8	2
Port D data direction register	PDDR	8	H'FF0C	PORT	8	2
Port E data direction register	PEDR	8	H'FF0D	PORT	8	2
Port F data direction register	PFDR	8	H'FF0E	PORT	8	2
Timer control register_0	TCR_0	8	H'FF10	TPU_0	16	2
Timer mode register_0	TMDR_0	8	H'FF11	TPU_0	16	2
Timer I/O control register H_0	TIORH_0	8	H'FF12	TPU_0	16	2
Timer I/O control register L_0	TIORL_0	8	H'FF13	TPU_0	16	2
Timer interrupt enable register_0	TIER_0	8	H'FF14	TPU_0	16	2
Timer status register_0	TSR_0	8	H'FF15	TPU_0	16	2
Timer counter H_0	TCNTH_0	8	H'FF16	TPU_0	16	2
Timer counter L_0	TCNTL_0	8	H'FF17	TPU_0	16	2
Timer general register AH_0	TGRAH_0	8	H'FF18	TPU_0	16	2
Timer general register AL_0	TGRAL_0	8	H'FF19	TPU_0	16	2
Timer general register BH_0	TGRBH_0	8	H'FF1A	TPU_0	16	2
Timer general register BL_0	TGRBL_0	8	H'FF1B	TPU_0	16	2
Timer general register CH_0	TGRCH_0	8	H'FF1C	TPU_0	16	2
Timer general register CL_0	TGRCL_0	8	H'FF1D	TPU_0	16	2
Timer general register DH_0	TGRDH_0	8	H'FF1E	TPU_0	16	2
Timer general register DL_0	TGRDL_0	8	H'FF1F	TPU_0	16	2
Timer control register_1	TCR_1	8	H'FF20	TPU_1	16	2
Timer mode register_1	TMDR_1	8	H'FF21	TPU_1	16	2
Timer I/O control register _1	TIOR_1	8	H'FF22	TPU_1	16	2
Timer interrupt enable register_1	TIER_1	8	H'FF24	TPU_1	16	2
Timer status register_1	TSR_1	8	H'FF25	TPU_1	16	2
Timer counter H_1	TCNTH_1	8	H'FF26	TPU_1	16	2
Timer counter L_1	TCNTL_1	8	H'FF27	TPU_1	16	2

Register Name	Abbreviation	Number of Bits	Address*	Module	Data Bus Width	Number of Access States
Timer general register AH_1	TGRAH_1	8	H'FF28	TPU_1	16	2
Timer general register AL_1	TGRAL_1	8	H'FF29	TPU_1	16	2
Timer general register BH_1	TGRBH_1	8	H'FF2A	TPU_1	16	2
Timer general register BL_1	TGRBL_1	8	H'FF2B	TPU_1	16	2
Timer control register_2	TCR_2	8	H'FF30	TPU_2	16	2
Timer mode register_2	TMDR_2	8	H'FF31	TPU_2	16	2
Timer I/O control register_2	TIOR_2	8	H'FF32	TPU_2	16	2
Timer interrupt enable register_2	TIER_2	8	H'FF34	TPU_2	16	2
Timer status register_2	TSR_2	8	H'FF35	TPU_2	16	2
Timer counter H_2	TCNTH_2	8	H'FF36	TPU_2	16	2
Timer counter L_2	TCNTL_2	8	H'FF37	TPU_2	16	2
Timer general register AH_2	TGRAH_2	8	H'FF38	TPU_2	16	2
Timer general register AL_2	TGRAL_2	8	H'FF39	TPU_2	16	2
Timer general register BH_2	TGRBH_2	8	H'FF3A	TPU_2	16	2
Timer general register BL_2	TGRBL_2	8	H'FF3B	TPU_2	16	2
Timer control/status register_0	TCSR_0	8	H'FF74	WDT_0	16	2
Timer counter_0	TCNT_0	8	H'FF75	WDT_0	16	2
Reset control/status register	RSTCSR	8	H'FF77	WDT_0	16	2
Serial mode register_0	SMR_0	8	H'FF78	SCI_0	8	2
Bit rate register_0	BRR_0	8	H'FF79	SCI_0	8	2
Serial control register_0	SCR_0	8	H'FF7A	SCI_0	8	2
Transmit data register_0	TDR_0	8	H'FF7B	SCI_0	8	2
Serial status register_0	SSR_0	8	H'FF7C	SCI_0	8	2
Receive data register_0	RDR_0	8	H'FF7D	SCI_0	8	2
Smart card mode register_0	SCMR_0	8	H'FF7E	SCI_0	8	2
Serial mode register_1	SMR_1	8	H'FF80	SCI_1	8	2
Bit rate register_1	BRR_1	8	H'FF81	SCI_1	8	2
Serial control register_1	SCR_1	8	H'FF82	SCI_1	8	2
Transmit data register_1	TDR_1	8	H'FF83	SCI_1	8	2
Serial status register_1	SSR_1	8	H'FF84	SCI_1	8	2

Register Name	Abbreviation	Number of Bits	Address*	Module	Data Bus Width	Number of Access States
Receive data register_1	RDR_1	8	H'FF85	SCI_1	8	2
Smart card mode register_1	SCMR_1	8	H'FF86	SCI_1	8	2
Serial mode register_2	SMR_2	8	H'FF88	SCI_2	8	2
Bit rate register_2	BRR_2	8	H'FF89	SCI_2	8	2
Serial control register_2	SCR_2	8	H'FF8A	SCI_2	8	2
Transmit data register_2	TDR_2	8	H'FF8B	SCI_2	8	2
Serial status register_2	SSR_2	8	H'FF8C	SCI_2	8	2
Receive data register_2	RDR_2	8	H'FF8D	SCI_2	8	2
Smart card mode register_2	SCMR_2	8	H'FF8E	SCI_2	8	2
A/D data register AH	ADDR AH	8	H'FF90	A/D	8	2
A/D data register AL	ADDRAL	8	H'FF91	A/D	8	2
A/D data register BH	ADDRBH	8	H'FF92	A/D	8	2
A/D data register BL	ADDRBL	8	H'FF93	A/D	8	2
A/D data register CH	ADDRCH	8	H'FF94	A/D	8	2
A/D data register CL	ADDRCL	8	H'FF95	A/D	8	2
A/D data register DH	ADDRDH	8	H'FF96	A/D	8	2
A/D data register DL	ADDRDL	8	H'FF97	A/D	8	2
A/D control/status register	ADCSR	8	H'FF98	A/D	8	2
A/D control register	ADCR	8	H'FF99	A/D	8	2
Timer control/status register_1	TCSR_1	8	H'FFA2	WDT_1	16	2
Timer counter_1	TCNT_1	8	H'FFA3	WDT_1	16	2
Flash memory control register 1	FLMCR1	8	H'FFA8	FLASH (F-ZTAT)	8	2
Flash memory control register 2	FLMCR2	8	H'FFA9	FLASH (F-ZTAT)	8	2
Erase block register 1	EBR1	8	H'FFAA	FLASH (F-ZTAT)	8	2
Erase block register 2	EBR2	8	H'FFAB	FLASH (F-ZTAT)	8	2
Flash memory power control register	FLPWCR	8	H'FFAC	FLASH (F-ZTAT)	8	2



Register Name	Abbreviation	Number of Bits	Address*	Module	Data Bus Width	Number of Access States
Port 1 register	PORT1	8	H'FFB0	PORT	8	2
Port 2 register	PORT2	8	H'FFB1	PORT	8	2
Port 3 register	PORT3	8	H'FFB2	PORT	8	2
Port 4 register	PORT4	8	H'FFB3	PORT	8	2
Port 5 register	PORT5	8	H'FFB4	PORT	8	2
Port 9 register	PORT9	8	H'FFB8	PORT	8	2
Port A register	PORTA	8	H'FFB9	PORT	8	2
Port B register	PORTB	8	H'FFBA	PORT	8	2
Port C register	PORTC	8	H'FFBB	PORT	8	2
Port D register	PORTD	8	H'FFBC	PORT	8	2
Port F register	PORTF	8	H'FFBE	PORT	8	2

Note: \* The lower 16 bits are indicated.

## 22.2 Register Bits

Register addresses and bit names of the on-chip peripheral modules are described below.

Each line covers eight bits, and 16-bit registers are shown as 2 lines, respectively.

Register Abbreviation	Bit 7	Bit 6	Bit 5	Bit 4	Bit 3	Bit 2	Bit 1	Bit 0	Module
MCR_0	MCR7	—	MCR5	—	—	MCR2	MCR1	MCR0	HCAN_0
GSR_0	—	—	—	—	GSR3	GSR2	GSR1	GSR0	
BCR_0	BCR7	BCR6	BCR5	BCR4	BCR3	BCR2	BCR1	BCR0	
	BCR15	BCR14	BCR13	BCR12	BCR11	BCR10	BCR9	BCR8	
MBCR_0	MBCR7	MBCR6	MBCR5	MBCR4	MBCR3	MBCR2	MBCR1	—	
	MBCR15	MBCR14	MBCR13	MBCR12	MBCR11	MBCR10	MBCR9	MBCR8	
TXPR_0	TXPR7	TXPR6	TXPR5	TXPR4	TXPR3	TXPR2	TXPR1	—	
	TXPR15	TXPR14	TXPR13	TXPR12	TXPR11	TXPR10	TXPR9	TXPR8	
TXCR_0	TXCR7	TXCR6	TXCR5	TXCR4	TXCR3	TXCR2	TXCR1	—	
	TXCR15	TXCR14	TXCR13	TXCR12	TXCR11	TXCR10	TXCR9	TXCR8	
TXACK_0	TXACK7	TXACK6	TXACK5	TXACK4	TXACK3	TXACK2	TXACK1	—	
	TXACK15	TXACK14	TXACK13	TXACK12	TXACK11	TXACK10	TXACK9	TXACK8	
ABACK_0	ABACK7	ABACK6	ABACK5	ABACK4	ABACK3	ABACK2	ABACK1	—	
	ABACK15	ABACK14	ABACK13	ABACK12	ABACK11	ABACK10	ABACK9	ABACK8	
RXPR_0	RXPR7	RXPR6	RXPR5	RXPR4	RXPR3	RXPR2	RXPR1	RXPR0	
	RXPR15	RXPR14	RXPR13	RXPR12	RXPR11	RXPR10	RXPR9	RXPR8	
RFPR_0	RFPR7	RFPR6	RFPR5	RFPR4	RFPR3	RFPR2	RFPR1	RFPR0	
	RFPR15	RFPR14	RFPR13	RFPR12	RFPR11	RFPR10	RFPR9	RFPR8	
IRR_0	IRR7	IRR6	IRR5	IRR4	IRR3	IRR2	IRR1	IRR0	
	—	—	—	IRR12	—	—	IRR9	IRR8	
MBIMR_0	MBIMR7	MBIMR6	MBIMR5	MBIMR4	MBIMR3	MBIMR2	MBIMR1	MBIMR0	
	MBIMR15	MBIMR14	MBIMR13	MBIMR12	MBIMR11	MBIMR10	MBIMR9	MBIMR8	
IMR_0	IMR7	IMR6	IMR5	IMR4	IMR3	IMR2	IMR1	—	
	—	—	—	IMR12	—	—	IMR9	IMR8	
REC_0	Bit7	Bit6	Bit5	Bit4	Bit3	Bit2	Bit1	Bit0	
TEC_0	Bit7	Bit6	Bit5	Bit4	Bit3	Bit2	Bit1	Bit0	

Register Abbreviation	Bit 7	Bit 6	Bit 5	Bit 4	Bit 3	Bit 2	Bit 1	Bit 0	Module
UMSR_0	UMSR7	UMSR6	UMSR5	UMSR4	UMSR3	UMSR2	UMSR1	UMSR0	HCAN_0
	UMSR15	UMSR14	UMSR13	UMSR12	UMSR11	UMSR10	UMSR9	UMSR8	
LAFML_0	LAFML7	LAFML6	LAFML5	LAFML4	LAFML3	LAFML2	LAFML1	LAFML0	
	LAFML15	LAFML14	LAFML13	LAFML12	LAFML11	LAFML10	LAFML9	LAFML8	
LAFMH_0	LAFMH7	LAFMH6	LAFMH5	—	—	—	LAFMH1	LAFMH0	
	LAFMH15	LAFMH14	LAFMH13	LAFMH12	LAFMH11	LAFMH10	LAFMH9	LAFMH8	
MC0[1]	—	—	—	—	DLC3	DLC2	DLC1	DLC0	
MC0[2]	—	—	—	—	—	—	—	—	
MC0[3]	—	—	—	—	—	—	—	—	
MC0[4]	—	—	—	—	—	—	—	—	
MC0[5]	ID-20	ID-19	ID-18	RTR	IDE	—	ID-17	ID-16	
MC0[6]	ID-28	ID-27	ID-26	ID-25	ID-24	ID-23	ID-22	ID-21	
MC0[7]	ID-7	ID-6	ID-5	ID-4	ID-3	ID-2	ID-1	ID-0	
MC0[8]	ID-15	ID-14	ID-13	ID-12	ID-11	ID-10	ID-9	ID-8	
MC1[1]	—	—	—	—	DLC3	DLC2	DLC1	DLC0	
MC1[2]	—	—	—	—	—	—	—	—	
MC1[3]	—	—	—	—	—	—	—	—	
MC1[4]	—	—	—	—	—	—	—	—	
MC1[5]	ID-20	ID-19	ID-18	RTR	IDE	—	ID-17	ID-16	
MC1[6]	ID-28	ID-27	ID-26	ID-25	ID-24	ID-23	ID-22	ID-21	
MC1[7]	ID-7	ID-6	ID-5	ID-4	ID-3	ID-2	ID-1	ID-0	
MC1[8]	ID-15	ID-14	ID-13	ID-12	ID-11	ID-10	ID-9	ID-8	
MC2[1]	—	—	—	—	DLC3	DLC2	DLC1	DLC0	
MC2[2]	—	—	—	—	—	—	—	—	
MC2[3]	—	—	—	—	—	—	—	—	
MC2[4]	—	—	—	—	—	—	—	—	
MC2[5]	ID-20	ID-19	ID-18	RTR	IDE	—	ID-17	ID-16	
MC2[6]	ID-28	ID-27	ID-26	ID-25	ID-24	ID-23	ID-22	ID-21	
MC2[7]	ID-7	ID-6	ID-5	ID-4	ID-3	ID-2	ID-1	ID-0	
MC2[8]	ID-15	ID-14	ID-13	ID-12	ID-11	ID-10	ID-9	ID-8	

Register Abbreviation	Bit 7	Bit 6	Bit 5	Bit 4	Bit 3	Bit 2	Bit 1	Bit 0	Module
MC3[1]	—	—	—	—	DLC3	DLC2	DLC1	DLC0	HCAN_0
MC3[2]	—	—	—	—	—	—	—	—	
MC3[3]	—	—	—	—	—	—	—	—	
MC3[4]	—	—	—	—	—	—	—	—	
MC3[5]	ID-20	ID-19	ID-18	RTR	IDE	—	ID-17	ID-16	
MC3[6]	ID-28	ID-27	ID-26	ID-25	ID-24	ID-23	ID-22	ID-21	
MC3[7]	ID-7	ID-6	ID-5	ID-4	ID-3	ID-2	ID-1	ID-0	
MC3[8]	ID-15	ID-14	ID-13	ID-12	ID-11	ID-10	ID-9	ID-8	
MC4[1]	—	—	—	—	DLC3	DLC2	DLC1	DLC0	
MC4[2]	—	—	—	—	—	—	—	—	
MC4[3]	—	—	—	—	—	—	—	—	
MC4[4]	—	—	—	—	—	—	—	—	
MC4[5]	ID-20	ID-19	ID-18	RTR	IDE	—	ID-17	ID-16	
MC4[6]	ID-28	ID-27	ID-26	ID-25	ID-24	ID-23	ID-22	ID-21	
MC4[7]	ID-7	ID-6	ID-5	ID-4	ID-3	ID-2	ID-1	ID-0	
MC4[8]	ID-15	ID-14	ID-13	ID-12	ID-11	ID-10	ID-9	ID-8	
MC5[1]	—	—	—	—	DLC3	DLC2	DLC1	DLC0	
MC5[2]	—	—	—	—	—	—	—	—	
MC5[3]	—	—	—	—	—	—	—	—	
MC5[4]	—	—	—	—	—	—	—	—	
MC5[5]	ID-20	ID-19	ID-18	RTR	IDE	—	ID-17	ID-16	
MC5[6]	ID-28	ID-27	ID-26	ID-25	ID-24	ID-23	ID-22	ID-21	
MC5[7]	ID-7	ID-6	ID-5	ID-4	ID-3	ID-2	ID-1	ID-0	
MC5[8]	ID-15	ID-14	ID-13	ID-12	ID-11	ID-10	ID-9	ID-8	
MC6[1]	—	—	—	—	DLC3	DLC2	DLC1	DLC0	
MC6[2]	—	—	—	—	—	—	—	—	
MC6[3]	—	—	—	—	—	—	—	—	
MC6[4]	—	—	—	—	—	—	—	—	
MC6[5]	ID-20	ID-19	ID-18	RTR	IDE	—	ID-17	ID-16	
MC6[6]	ID-28	ID-27	ID-26	ID-25	ID-24	ID-23	ID-22	ID-21	
MC6[7]	ID-7	ID-6	ID-5	ID-4	ID-3	ID-2	ID-1	ID-0	

Register Abbreviation	Bit 7	Bit 6	Bit 5	Bit 4	Bit 3	Bit 2	Bit 1	Bit 0	Module
MC6[8]	ID-15	ID-14	ID-13	ID-12	ID-11	ID-10	ID-9	ID-8	HCAN_0
MC7[1]	—	—	—	—	DLC3	DLC2	DLC1	DLC0	
MC7[2]	—	—	—	—	—	—	—	—	
MC7[3]	—	—	—	—	—	—	—	—	
MC7[4]	—	—	—	—	—	—	—	—	
MC7[5]	ID-20	ID-19	ID-18	RTR	IDE	—	ID-17	ID-16	
MC7[6]	ID-28	ID-27	ID-26	ID-25	ID-24	ID-23	ID-22	ID-21	
MC7[7]	ID-7	ID-6	ID-5	ID-4	ID-3	ID-2	ID-1	ID-0	
MC7[8]	ID-15	ID-14	ID-13	ID-12	ID-11	ID-10	ID-9	ID-8	
MC8[1]	—	—	—	—	DLC3	DLC2	DLC1	DLC0	
MC8[2]	—	—	—	—	—	—	—	—	
MC8[3]	—	—	—	—	—	—	—	—	
MC8[4]	—	—	—	—	—	—	—	—	
MC8[5]	ID-20	ID-19	ID-18	RTR	IDE	—	ID-17	ID-16	
MC8[6]	ID-28	ID-27	ID-26	ID-25	ID-24	ID-23	ID-22	ID-21	
MC8[7]	ID-7	ID-6	ID-5	ID-4	ID-3	ID-2	ID-1	ID-0	
MC8[8]	ID-15	ID-14	ID-13	ID-12	ID-11	ID-10	ID-9	ID-8	
MC9[1]	—	—	—	—	DLC3	DLC2	DLC1	DLC0	
MC9[2]	—	—	—	—	—	—	—	—	
MC9[3]	—	—	—	—	—	—	—	—	
MC9[4]	—	—	—	—	—	—	—	—	
MC9[5]	ID-20	ID-19	ID-18	RTR	IDE	—	ID-17	ID-16	
MC9[6]	ID-28	ID-27	ID-26	ID-25	ID-24	ID-23	ID-22	ID-21	
MC9[7]	ID-7	ID-6	ID-5	ID-4	ID-3	ID-2	ID-1	ID-0	
MC9[8]	ID-15	ID-14	ID-13	ID-12	ID-11	ID-10	ID-9	ID-8	
MC10[1]	—	—	—	—	DLC3	DLC2	DLC1	DLC0	
MC10[2]	—	—	—	—	—	—	—	—	
MC10[3]	—	—	—	—	—	—	—	—	
MC10[4]	—	—	—	—	—	—	—	—	
MC10[5]	ID-20	ID-19	ID-18	RTR	IDE	—	ID-17	ID-16	
MC10[6]	ID-28	ID-27	ID-26	ID-25	ID-24	ID-23	ID-22	ID-21	

Register Abbreviation	Bit 7	Bit 6	Bit 5	Bit 4	Bit 3	Bit 2	Bit 1	Bit 0	Module
MC10[7]	ID-7	ID-6	ID-5	ID-4	ID-3	ID-2	ID-1	ID-0	HCAN_0
MC10[8]	ID-15	ID-14	ID-13	ID-12	ID-11	ID-10	ID-9	ID-8	
MC11[1]	—	—	—	—	DLC3	DLC2	DLC1	DLC0	
MC11[2]	—	—	—	—	—	—	—	—	
MC11[3]	—	—	—	—	—	—	—	—	
MC11[4]	—	—	—	—	—	—	—	—	
MC11[5]	ID-20	ID-19	ID-18	RTR	IDE	—	ID-17	ID-16	
MC11[6]	ID-28	ID-27	ID-26	ID-25	ID-24	ID-23	ID-22	ID-21	
MC11[7]	ID-7	ID-6	ID-5	ID-4	ID-3	ID-2	ID-1	ID-0	
MC11[8]	ID-15	ID-14	ID-13	ID-12	ID-11	ID-10	ID-9	ID-8	
MC12[1]	—	—	—	—	DLC3	DLC2	DLC1	DLC0	
MC12[2]	—	—	—	—	—	—	—	—	
MC12[3]	—	—	—	—	—	—	—	—	
MC12[4]	—	—	—	—	—	—	—	—	
MC12[5]	ID-20	ID-19	ID-18	RTR	IDE	—	ID-17	ID-16	
MC12[6]	ID-28	ID-27	ID-26	ID-25	ID-24	ID-23	ID-22	ID-21	
MC12[7]	ID-7	ID-6	ID-5	ID-4	ID-3	ID-2	ID-1	ID-0	
MC12[8]	ID-15	ID-14	ID-13	ID-12	ID-11	ID-10	ID-9	ID-8	
MC13[1]	—	—	—	—	DLC3	DLC2	DLC1	DLC0	
MC13[2]	—	—	—	—	—	—	—	—	
MC13[3]	—	—	—	—	—	—	—	—	
MC13[4]	—	—	—	—	—	—	—	—	
MC13[5]	ID-20	ID-19	ID-18	RTR	IDE	—	ID-17	ID-16	
MC13[6]	ID-28	ID-27	ID-26	ID-25	ID-24	ID-23	ID-22	ID-21	
MC13[7]	ID-7	ID-6	ID-5	ID-4	ID-3	ID-2	ID-1	ID-0	
MC13[8]	ID-15	ID-14	ID-13	ID-12	ID-11	ID-10	ID-9	ID-8	
MC14[1]	—	—	—	—	DLC3	DLC2	DLC1	DLC0	
MC14[2]	—	—	—	—	—	—	—	—	
MC14[3]	—	—	—	—	—	—	—	—	
MC14[4]	—	—	—	—	—	—	—	—	
MC14[5]	ID-20	ID-19	ID-18	RTR	IDE	—	ID-17	ID-16	

Register Abbreviation	Bit 7	Bit 6	Bit 5	Bit 4	Bit 3	Bit 2	Bit 1	Bit 0	Module
MC14[6]	ID-28	ID-27	ID-26	ID-25	ID-24	ID-23	ID-22	ID-21	HCAN_0
MC14[7]	ID-7	ID-6	ID-5	ID-4	ID-3	ID-2	ID-1	ID-0	
MC14[8]	ID-15	ID-14	ID-13	ID-12	ID-11	ID-10	ID-9	ID-8	
MC15[1]	—	—	—	—	DLC3	DLC2	DLC1	DLC0	
MC15[2]	—	—	—	—	—	—	—	—	
MC15[3]	—	—	—	—	—	—	—	—	
MC15[4]	—	—	—	—	—	—	—	—	
MC15[5]	ID-20	ID-19	ID-18	RTR	IDE	—	ID-17	ID-16	
MC15[6]	ID-28	ID-27	ID-26	ID-25	ID-24	ID-23	ID-22	ID-21	
MC15[7]	ID-7	ID-6	ID-5	ID-4	ID-3	ID-2	ID-1	ID-0	
MC15[8]	ID-15	ID-14	ID-13	ID-12	ID-11	ID-10	ID-9	ID-8	
MD0[1]	Bit7	Bit6	Bit5	Bit4	Bit3	Bit2	Bit1	Bit0	
MD0[2]	Bit7	Bit6	Bit5	Bit4	Bit3	Bit2	Bit1	Bit0	
MD0[3]	Bit7	Bit6	Bit5	Bit4	Bit3	Bit2	Bit1	Bit0	
MD0[4]	Bit7	Bit6	Bit5	Bit4	Bit3	Bit2	Bit1	Bit0	
MD0[5]	Bit7	Bit6	Bit5	Bit4	Bit3	Bit2	Bit1	Bit0	
MD0[6]	Bit7	Bit6	Bit5	Bit4	Bit3	Bit2	Bit1	Bit0	
MD0[7]	Bit7	Bit6	Bit5	Bit4	Bit3	Bit2	Bit1	Bit0	
MD0[8]	Bit7	Bit6	Bit5	Bit4	Bit3	Bit2	Bit1	Bit0	
MD1[1]	Bit7	Bit6	Bit5	Bit4	Bit3	Bit2	Bit1	Bit0	
MD1[2]	Bit7	Bit6	Bit5	Bit4	Bit3	Bit2	Bit1	Bit0	
MD1[3]	Bit7	Bit6	Bit5	Bit4	Bit3	Bit2	Bit1	Bit0	
MD1[4]	Bit7	Bit6	Bit5	Bit4	Bit3	Bit2	Bit1	Bit0	
MD1[5]	Bit7	Bit6	Bit5	Bit4	Bit3	Bit2	Bit1	Bit0	
MD1[6]	Bit7	Bit6	Bit5	Bit4	Bit3	Bit2	Bit1	Bit0	
MD1[7]	Bit7	Bit6	Bit5	Bit4	Bit3	Bit2	Bit1	Bit0	
MD1[8]	Bit7	Bit6	Bit5	Bit4	Bit3	Bit2	Bit1	Bit0	
MD2[1]	Bit7	Bit6	Bit5	Bit4	Bit3	Bit2	Bit1	Bit0	
MD2[2]	Bit7	Bit6	Bit5	Bit4	Bit3	Bit2	Bit1	Bit0	
MD2[3]	Bit7	Bit6	Bit5	Bit4	Bit3	Bit2	Bit1	Bit0	
MD2[4]	Bit7	Bit6	Bit5	Bit4	Bit3	Bit2	Bit1	Bit0	

Register Abbreviation	Bit 7	Bit 6	Bit 5	Bit 4	Bit 3	Bit 2	Bit 1	Bit 0	Module
MD2[5]	Bit7	Bit6	Bit5	Bit4	Bit3	Bit2	Bit1	Bit0	HCAN_0
MD2[6]	Bit7	Bit6	Bit5	Bit4	Bit3	Bit2	Bit1	Bit0	
MD2[7]	Bit7	Bit6	Bit5	Bit4	Bit3	Bit2	Bit1	Bit0	
MD2[8]	Bit7	Bit6	Bit5	Bit4	Bit3	Bit2	Bit1	Bit0	
MD3[1]	Bit7	Bit6	Bit5	Bit4	Bit3	Bit2	Bit1	Bit0	
MD3[2]	Bit7	Bit6	Bit5	Bit4	Bit3	Bit2	Bit1	Bit0	
MD3[3]	Bit7	Bit6	Bit5	Bit4	Bit3	Bit2	Bit1	Bit0	
MD3[4]	Bit7	Bit6	Bit5	Bit4	Bit3	Bit2	Bit1	Bit0	
MD3[5]	Bit7	Bit6	Bit5	Bit4	Bit3	Bit2	Bit1	Bit0	
MD3[6]	Bit7	Bit6	Bit5	Bit4	Bit3	Bit2	Bit1	Bit0	
MD3[7]	Bit7	Bit6	Bit5	Bit4	Bit3	Bit2	Bit1	Bit0	
MD3[8]	Bit7	Bit6	Bit5	Bit4	Bit3	Bit2	Bit1	Bit0	
MD4[1]	Bit7	Bit6	Bit5	Bit4	Bit3	Bit2	Bit1	Bit0	
MD4[2]	Bit7	Bit6	Bit5	Bit4	Bit3	Bit2	Bit1	Bit0	
MD4[3]	Bit7	Bit6	Bit5	Bit4	Bit3	Bit2	Bit1	Bit0	
MD4[4]	Bit7	Bit6	Bit5	Bit4	Bit3	Bit2	Bit1	Bit0	
MD4[5]	Bit7	Bit6	Bit5	Bit4	Bit3	Bit2	Bit1	Bit0	
MD4[6]	Bit7	Bit6	Bit5	Bit4	Bit3	Bit2	Bit1	Bit0	
MD4[7]	Bit7	Bit6	Bit5	Bit4	Bit3	Bit2	Bit1	Bit0	
MD4[8]	Bit7	Bit6	Bit5	Bit4	Bit3	Bit2	Bit1	Bit0	
MD5[1]	Bit7	Bit6	Bit5	Bit4	Bit3	Bit2	Bit1	Bit0	
MD5[2]	Bit7	Bit6	Bit5	Bit4	Bit3	Bit2	Bit1	Bit0	
MD5[3]	Bit7	Bit6	Bit5	Bit4	Bit3	Bit2	Bit1	Bit0	
MD5[4]	Bit7	Bit6	Bit5	Bit4	Bit3	Bit2	Bit1	Bit0	
MD5[5]	Bit7	Bit6	Bit5	Bit4	Bit3	Bit2	Bit1	Bit0	
MD5[6]	Bit7	Bit6	Bit5	Bit4	Bit3	Bit2	Bit1	Bit0	
MD5[7]	Bit7	Bit6	Bit5	Bit4	Bit3	Bit2	Bit1	Bit0	
MD5[8]	Bit7	Bit6	Bit5	Bit4	Bit3	Bit2	Bit1	Bit0	
MD6[1]	Bit7	Bit6	Bit5	Bit4	Bit3	Bit2	Bit1	Bit0	
MD6[2]	Bit7	Bit6	Bit5	Bit4	Bit3	Bit2	Bit1	Bit0	
MD6[3]	Bit7	Bit6	Bit5	Bit4	Bit3	Bit2	Bit1	Bit0	



Register Abbreviation	Bit 7	Bit 6	Bit 5	Bit 4	Bit 3	Bit 2	Bit 1	Bit 0	Module
MD6[4]	Bit7	Bit6	Bit5	Bit4	Bit3	Bit2	Bit1	Bit0	HCAN_0
MD6[5]	Bit7	Bit6	Bit5	Bit4	Bit3	Bit2	Bit1	Bit0	
MD6[6]	Bit7	Bit6	Bit5	Bit4	Bit3	Bit2	Bit1	Bit0	
MD6[7]	Bit7	Bit6	Bit5	Bit4	Bit3	Bit2	Bit1	Bit0	
MD6[8]	Bit7	Bit6	Bit5	Bit4	Bit3	Bit2	Bit1	Bit0	
MD7[1]	Bit7	Bit6	Bit5	Bit4	Bit3	Bit2	Bit1	Bit0	
MD7[2]	Bit7	Bit6	Bit5	Bit4	Bit3	Bit2	Bit1	Bit0	
MD7[3]	Bit7	Bit6	Bit5	Bit4	Bit3	Bit2	Bit1	Bit0	
MD7[4]	Bit7	Bit6	Bit5	Bit4	Bit3	Bit2	Bit1	Bit0	
MD7[5]	Bit7	Bit6	Bit5	Bit4	Bit3	Bit2	Bit1	Bit0	
MD7[6]	Bit7	Bit6	Bit5	Bit4	Bit3	Bit2	Bit1	Bit0	
MD7[7]	Bit7	Bit6	Bit5	Bit4	Bit3	Bit2	Bit1	Bit0	
MD7[8]	Bit7	Bit6	Bit5	Bit4	Bit3	Bit2	Bit1	Bit0	
MD8[1]	Bit7	Bit6	Bit5	Bit4	Bit3	Bit2	Bit1	Bit0	
MD8[2]	Bit7	Bit6	Bit5	Bit4	Bit3	Bit2	Bit1	Bit0	
MD8[3]	Bit7	Bit6	Bit5	Bit4	Bit3	Bit2	Bit1	Bit0	
MD8[4]	Bit7	Bit6	Bit5	Bit4	Bit3	Bit2	Bit1	Bit0	
MD8[5]	Bit7	Bit6	Bit5	Bit4	Bit3	Bit2	Bit1	Bit0	
MD8[6]	Bit7	Bit6	Bit5	Bit4	Bit3	Bit2	Bit1	Bit0	
MD8[7]	Bit7	Bit6	Bit5	Bit4	Bit3	Bit2	Bit1	Bit0	
MD8[8]	Bit7	Bit6	Bit5	Bit4	Bit3	Bit2	Bit1	Bit0	
MD9[1]	Bit7	Bit6	Bit5	Bit4	Bit3	Bit2	Bit1	Bit0	
MD9[2]	Bit7	Bit6	Bit5	Bit4	Bit3	Bit2	Bit1	Bit0	
MD9[3]	Bit7	Bit6	Bit5	Bit4	Bit3	Bit2	Bit1	Bit0	
MD9[4]	Bit7	Bit6	Bit5	Bit4	Bit3	Bit2	Bit1	Bit0	
MD9[5]	Bit7	Bit6	Bit5	Bit4	Bit3	Bit2	Bit1	Bit0	
MD9[6]	Bit7	Bit6	Bit5	Bit4	Bit3	Bit2	Bit1	Bit0	
MD9[7]	Bit7	Bit6	Bit5	Bit4	Bit3	Bit2	Bit1	Bit0	
MD9[8]	Bit7	Bit6	Bit5	Bit4	Bit3	Bit2	Bit1	Bit0	
MD10[1]	Bit7	Bit6	Bit5	Bit4	Bit3	Bit2	Bit1	Bit0	
MD10[2]	Bit7	Bit6	Bit5	Bit4	Bit3	Bit2	Bit1	Bit0	

Register									
Abbreviation	Bit 7	Bit 6	Bit 5	Bit 4	Bit 3	Bit 2	Bit 1	Bit 0	Module
MD10[3]	Bit7	Bit6	Bit5	Bit4	Bit3	Bit2	Bit1	Bit0	HCAN_0
MD10[4]	Bit7	Bit6	Bit5	Bit4	Bit3	Bit2	Bit1	Bit0	
MD10[5]	Bit7	Bit6	Bit5	Bit4	Bit3	Bit2	Bit1	Bit0	
MD10[6]	Bit7	Bit6	Bit5	Bit4	Bit3	Bit2	Bit1	Bit0	
MD10[7]	Bit7	Bit6	Bit5	Bit4	Bit3	Bit2	Bit1	Bit0	
MD10[8]	Bit7	Bit6	Bit5	Bit4	Bit3	Bit2	Bit1	Bit0	
MD11[1]	Bit7	Bit6	Bit5	Bit4	Bit3	Bit2	Bit1	Bit0	
MD11[2]	Bit7	Bit6	Bit5	Bit4	Bit3	Bit2	Bit1	Bit0	
MD11[3]	Bit7	Bit6	Bit5	Bit4	Bit3	Bit2	Bit1	Bit0	
MD11[4]	Bit7	Bit6	Bit5	Bit4	Bit3	Bit2	Bit1	Bit0	
MD11[5]	Bit7	Bit6	Bit5	Bit4	Bit3	Bit2	Bit1	Bit0	
MD11[6]	Bit7	Bit6	Bit5	Bit4	Bit3	Bit2	Bit1	Bit0	
MD11[7]	Bit7	Bit6	Bit5	Bit4	Bit3	Bit2	Bit1	Bit0	
MD11[8]	Bit7	Bit6	Bit5	Bit4	Bit3	Bit2	Bit1	Bit0	
MD12[1]	Bit7	Bit6	Bit5	Bit4	Bit3	Bit2	Bit1	Bit0	
MD12[2]	Bit7	Bit6	Bit5	Bit4	Bit3	Bit2	Bit1	Bit0	
MD12[3]	Bit7	Bit6	Bit5	Bit4	Bit3	Bit2	Bit1	Bit0	
MD12[4]	Bit7	Bit6	Bit5	Bit4	Bit3	Bit2	Bit1	Bit0	
MD12[5]	Bit7	Bit6	Bit5	Bit4	Bit3	Bit2	Bit1	Bit0	
MD12[6]	Bit7	Bit6	Bit5	Bit4	Bit3	Bit2	Bit1	Bit0	
MD12[7]	Bit7	Bit6	Bit5	Bit4	Bit3	Bit2	Bit1	Bit0	
MD12[8]	Bit7	Bit6	Bit5	Bit4	Bit3	Bit2	Bit1	Bit0	
MD13[1]	Bit7	Bit6	Bit5	Bit4	Bit3	Bit2	Bit1	Bit0	
MD13[2]	Bit7	Bit6	Bit5	Bit4	Bit3	Bit2	Bit1	Bit0	
MD13[3]	Bit7	Bit6	Bit5	Bit4	Bit3	Bit2	Bit1	Bit0	
MD13[4]	Bit7	Bit6	Bit5	Bit4	Bit3	Bit2	Bit1	Bit0	
MD13[5]	Bit7	Bit6	Bit5	Bit4	Bit3	Bit2	Bit1	Bit0	
MD13[6]	Bit7	Bit6	Bit5	Bit4	Bit3	Bit2	Bit1	Bit0	
MD13[7]	Bit7	Bit6	Bit5	Bit4	Bit3	Bit2	Bit1	Bit0	
MD13[8]	Bit7	Bit6	Bit5	Bit4	Bit3	Bit2	Bit1	Bit0	
MD14[1]	Bit7	Bit6	Bit5	Bit4	Bit3	Bit2	Bit1	Bit0	

Register Abbreviation	Bit 7	Bit 6	Bit 5	Bit 4	Bit 3	Bit 2	Bit 1	Bit 0	Module
MD14[2]	Bit7	Bit6	Bit5	Bit4	Bit3	Bit2	Bit1	Bit0	HCAN_0
MD14[3]	Bit7	Bit6	Bit5	Bit4	Bit3	Bit2	Bit1	Bit0	
MD14[4]	Bit7	Bit6	Bit5	Bit4	Bit3	Bit2	Bit1	Bit0	
MD14[5]	Bit7	Bit6	Bit5	Bit4	Bit3	Bit2	Bit1	Bit0	
MD14[6]	Bit7	Bit6	Bit5	Bit4	Bit3	Bit2	Bit1	Bit0	
MD14[7]	Bit7	Bit6	Bit5	Bit4	Bit3	Bit2	Bit1	Bit0	
MD14[8]	Bit7	Bit6	Bit5	Bit4	Bit3	Bit2	Bit1	Bit0	
MD15[1]	Bit7	Bit6	Bit5	Bit4	Bit3	Bit2	Bit1	Bit0	
MD15[2]	Bit7	Bit6	Bit5	Bit4	Bit3	Bit2	Bit1	Bit0	
MD15[3]	Bit7	Bit6	Bit5	Bit4	Bit3	Bit2	Bit1	Bit0	
MD15[4]	Bit7	Bit6	Bit5	Bit4	Bit3	Bit2	Bit1	Bit0	
MD15[5]	Bit7	Bit6	Bit5	Bit4	Bit3	Bit2	Bit1	Bit0	
MD15[6]	Bit7	Bit6	Bit5	Bit4	Bit3	Bit2	Bit1	Bit0	
MD15[7]	Bit7	Bit6	Bit5	Bit4	Bit3	Bit2	Bit1	Bit0	
MD15[8]	Bit7	Bit6	Bit5	Bit4	Bit3	Bit2	Bit1	Bit0	
HCANMON0	RxDIE	TxSTP	—	—	—	—	TxD	RxD	
MCR_1	MCR7	—	MCR5	—	—	MCR2	MCR1	MCR0	HCAN_1
GSR_1	—	—	—	—	GSR3	GSR2	GSR1	GSR0	
BCR_1	BCR7	BCR6	BCR5	BCR4	BCR3	BCR2	BCR1	BCR0	
	BCR15	BCR14	BCR13	BCR12	BCR11	BCR10	BCR9	BCR8	
MBCR_1	MBCR7	MBCR6	MBCR5	MBCR4	MBCR3	MBCR2	MBCR1	—	
	MBCR15	MBCR14	MBCR13	MBCR12	MBCR11	MBCR10	MBCR9	MBCR8	
TXPR_1	TXPR7	TXPR6	TXPR5	TXPR4	TXPR3	TXPR2	TXPR1	—	
	TXPR15	TXPR14	TXPR13	TXPR12	TXPR11	TXPR10	TXPR9	TXPR8	
TXCR_1	TXCR7	TXCR6	TXCR5	TXCR4	TXCR3	TXCR2	TXCR1	—	
	TXCR15	TXCR14	TXCR13	TXCR12	TXCR11	TXCR10	TXCR9	TXCR8	
TXACK_1	TXACK7	TXACK6	TXACK5	TXACK4	TXACK3	TXACK2	TXACK1	—	
	TXACK15	TXACK14	TXACK13	TXACK12	TXACK11	TXACK10	TXACK9	TXACK8	
ABACK_1	ABACK7	ABACK6	ABACK5	ABACK4	ABACK3	ABACK2	ABACK1	—	
	ABACK15	ABACK14	ABACK13	ABACK12	ABACK11	ABACK10	ABACK9	ABACK8	

Register Abbreviation	Bit 7	Bit 6	Bit 5	Bit 4	Bit 3	Bit 2	Bit 1	Bit 0	Module
RXPR_1	RXPR7	RXPR6	RXPR5	RXPR4	RXPR3	RXPR2	RXPR1	RXPR0	HCAN_1
	RXPR15	RXPR14	RXPR13	RXPR12	RXPR11	RXPR10	RXPR9	RXPR8	
RFPR_1	RFPR7	RFPR6	RFPR5	RFPR4	RFPR3	RFPR2	RFPR1	RFPR0	
	RFPR15	RFPR14	RFPR13	RFPR12	RFPR11	RFPR10	RFPR9	RFPR8	
IRR_1	IRR7	IRR6	IRR5	IRR4	IRR3	IRR2	IRR1	IRR0	
	—	—	—	IRR12	—	—	IRR9	IRR8	
MBIMR_1	MBIMR7	MBIMR6	MBIMR5	MBIMR4	MBIMR3	MBIMR2	MBIMR1	MBIMR0	
	MBIMR15	MBIMR14	MBIMR13	MBIMR12	MBIMR11	MBIMR10	MBIMR9	MBIMR8	
IMR_1	IMR7	IMR6	IMR5	IMR4	IMR3	IMR2	IMR1	—	
	—	—	—	IMR12	—	—	IMR9	IMR8	
REC_1	Bit7	Bit6	Bit5	Bit4	Bit3	Bit2	Bit1	Bit0	
TEC_1	Bit7	Bit6	Bit5	Bit4	Bit3	Bit2	Bit1	Bit0	
UMSR_1	UMSR7	UMSR6	UMSR5	UMSR4	UMSR3	UMSR2	UMSR1	UMSR0	
	UMSR15	UMSR14	UMSR13	UMSR12	UMSR11	UMSR10	UMSR9	UMSR8	
LAFML_1	LAFML7	LAFML6	LAFML5	LAFML4	LAFML3	LAFML2	LAFML1	LAFML0	
	LAFML15	LAFML14	LAFML13	LAFML12	LAFML11	LAFML10	LAFML9	LAFML8	
LAFMH_1	LAFMH7	LAFMH6	LAFMH5	—	—	—	LAFMH1	LAFMH0	
	LAFMH15	LAFMH14	LAFMH13	LAFMH12	LAFMH11	LAFMH10	LAFMH9	LAFMH8	
MC0[1]	—	—	—	—	DLC3	DLC2	DLC1	DLC0	
MC0[2]	—	—	—	—	—	—	—	—	
MC0[3]	—	—	—	—	—	—	—	—	
MC0[4]	—	—	—	—	—	—	—	—	
MC0[5]	ID-20	ID-19	ID-18	RTR	IDE	—	ID-17	ID-16	
MC0[6]	ID-28	ID-27	ID-26	ID-25	ID-24	ID-23	ID-22	ID-21	
MC0[7]	ID-7	ID-6	ID-5	ID-4	ID-3	ID-2	ID-1	ID-0	
MC0[8]	ID-15	ID-14	ID-13	ID-12	ID-11	ID-10	ID-9	ID-8	
MC1[1]	—	—	—	—	DLC3	DLC2	DLC1	DLC0	
MC1[2]	—	—	—	—	—	—	—	—	
MC1[3]	—	—	—	—	—	—	—	—	
MC1[4]	—	—	—	—	—	—	—	—	
MC1[5]	ID-20	ID-19	ID-18	RTR	IDE	—	ID-17	ID-16	

Register Abbreviation	Bit 7	Bit 6	Bit 5	Bit 4	Bit 3	Bit 2	Bit 1	Bit 0	Module
MC1[6]	ID-28	ID-27	ID-26	ID-25	ID-24	ID-23	ID-22	ID-21	HCAN_1
MC1[7]	ID-7	ID-6	ID-5	ID-4	ID-3	ID-2	ID-1	ID-0	
MC1[8]	ID-15	ID-14	ID-13	ID-12	ID-11	ID-10	ID-9	ID-8	
MC2[1]	—	—	—	—	DLC3	DLC2	DLC1	DLC0	
MC2[2]	—	—	—	—	—	—	—	—	
MC2[3]	—	—	—	—	—	—	—	—	
MC2[4]	—	—	—	—	—	—	—	—	
MC2[5]	ID-20	ID-19	ID-18	RTR	IDE	—	ID-17	ID-16	
MC2[6]	ID-28	ID-27	ID-26	ID-25	ID-24	ID-23	ID-22	ID-21	
MC2[7]	ID-7	ID-6	ID-5	ID-4	ID-3	ID-2	ID-1	ID-0	
MC2[8]	ID-15	ID-14	ID-13	ID-12	ID-11	ID-10	ID-9	ID-8	
MC3[1]	—	—	—	—	DLC3	DLC2	DLC1	DLC0	
MC3[2]	—	—	—	—	—	—	—	—	
MC3[3]	—	—	—	—	—	—	—	—	
MC3[4]	—	—	—	—	—	—	—	—	
MC3[5]	ID-20	ID-19	ID-18	RTR	IDE	—	ID-17	ID-16	
MC3[6]	ID-28	ID-27	ID-26	ID-25	ID-24	ID-23	ID-22	ID-21	
MC3[7]	ID-7	ID-6	ID-5	ID-4	ID-3	ID-2	ID-1	ID-0	
MC3[8]	ID-15	ID-14	ID-13	ID-12	ID-11	ID-10	ID-9	ID-8	
MC4[1]	—	—	—	—	DLC3	DLC2	DLC1	DLC0	
MC4[2]	—	—	—	—	—	—	—	—	
MC4[3]	—	—	—	—	—	—	—	—	
MC4[4]	—	—	—	—	—	—	—	—	
MC4[5]	ID-20	ID-19	ID-18	RTR	IDE	—	ID-17	ID-16	
MC4[6]	ID-28	ID-27	ID-26	ID-25	ID-24	ID-23	ID-22	ID-21	
MC4[7]	ID-7	ID-6	ID-5	ID-4	ID-3	ID-2	ID-1	ID-0	
MC4[8]	ID-15	ID-14	ID-13	ID-12	ID-11	ID-10	ID-9	ID-8	
MC5[1]	—	—	—	—	DLC3	DLC2	DLC1	DLC0	
MC5[2]	—	—	—	—	—	—	—	—	
MC5[3]	—	—	—	—	—	—	—	—	
MC5[4]	—	—	—	—	—	—	—	—	

Register Abbreviation	Bit 7	Bit 6	Bit 5	Bit 4	Bit 3	Bit 2	Bit 1	Bit 0	Module
MC5[5]	ID-20	ID-19	ID-18	RTR	IDE	—	ID-17	ID-16	HCAN_1
MC5[6]	ID-28	ID-27	ID-26	ID-25	ID-24	ID-23	ID-22	ID-21	
MC5[7]	ID-7	ID-6	ID-5	ID-4	ID-3	ID-2	ID-1	ID-0	
MC5[8]	ID-15	ID-14	ID-13	ID-12	ID-11	ID-10	ID-9	ID-8	
MC6[1]	—	—	—	—	DLC3	DLC2	DLC1	DLC0	
MC6[2]	—	—	—	—	—	—	—	—	
MC6[3]	—	—	—	—	—	—	—	—	
MC6[4]	—	—	—	—	—	—	—	—	
MC6[5]	ID-20	ID-19	ID-18	RTR	IDE	—	ID-17	ID-16	
MC6[6]	ID-28	ID-27	ID-26	ID-25	ID-24	ID-23	ID-22	ID-21	
MC6[7]	ID-7	ID-6	ID-5	ID-4	ID-3	ID-2	ID-1	ID-0	
MC6[8]	ID-15	ID-14	ID-13	ID-12	ID-11	ID-10	ID-9	ID-8	
MC7[1]	—	—	—	—	DLC3	DLC2	DLC1	DLC0	
MC7[2]	—	—	—	—	—	—	—	—	
MC7[3]	—	—	—	—	—	—	—	—	
MC7[4]	—	—	—	—	—	—	—	—	
MC7[5]	ID-20	ID-19	ID-18	RTR	IDE	—	ID-17	ID-16	
MC7[6]	ID-28	ID-27	ID-26	ID-25	ID-24	ID-23	ID-22	ID-21	
MC7[7]	ID-7	ID-6	ID-5	ID-4	ID-3	ID-2	ID-1	ID-0	
MC7[8]	ID-15	ID-14	ID-13	ID-12	ID-11	ID-10	ID-9	ID-8	
MC8[1]	—	—	—	—	DLC3	DLC2	DLC1	DLC0	
MC8[2]	—	—	—	—	—	—	—	—	
MC8[3]	—	—	—	—	—	—	—	—	
MC8[4]	—	—	—	—	—	—	—	—	
MC8[5]	ID-20	ID-19	ID-18	RTR	IDE	—	ID-17	ID-16	
MC8[6]	ID-28	ID-27	ID-26	ID-25	ID-24	ID-23	ID-22	ID-21	
MC8[7]	ID-7	ID-6	ID-5	ID-4	ID-3	ID-2	ID-1	ID-0	
MC8[8]	ID-15	ID-14	ID-13	ID-12	ID-11	ID-10	ID-9	ID-8	
MC9[1]	—	—	—	—	DLC3	DLC2	DLC1	DLC0	
MC9[2]	—	—	—	—	—	—	—	—	
MC9[3]	—	—	—	—	—	—	—	—	

Register Abbreviation	Bit 7	Bit 6	Bit 5	Bit 4	Bit 3	Bit 2	Bit 1	Bit 0	Module
MC9[4]	—	—	—	—	—	—	—	—	HCAN_1
MC9[5]	ID-20	ID-19	ID-18	RTR	IDE	—	ID-17	ID-16	
MC9[6]	ID-28	ID-27	ID-26	ID-25	ID-24	ID-23	ID-22	ID-21	
MC9[7]	ID-7	ID-6	ID-5	ID-4	ID-3	ID-2	ID-1	ID-0	
MC9[8]	ID-15	ID-14	ID-13	ID-12	ID-11	ID-10	ID-9	ID-8	
MC10[1]	—	—	—	—	DLC3	DLC2	DLC1	DLC0	
MC10[2]	—	—	—	—	—	—	—	—	
MC10[3]	—	—	—	—	—	—	—	—	
MC10[4]	—	—	—	—	—	—	—	—	
MC10[5]	ID-20	ID-19	ID-18	RTR	IDE	—	ID-17	ID-16	
MC10[6]	ID-28	ID-27	ID-26	ID-25	ID-24	ID-23	ID-22	ID-21	
MC10[7]	ID-7	ID-6	ID-5	ID-4	ID-3	ID-2	ID-1	ID-0	
MC10[8]	ID-15	ID-14	ID-13	ID-12	ID-11	ID-10	ID-9	ID-8	
MC11[1]	—	—	—	—	DLC3	DLC2	DLC1	DLC0	
MC11[2]	—	—	—	—	—	—	—	—	
MC11[3]	—	—	—	—	—	—	—	—	
MC11[4]	—	—	—	—	—	—	—	—	
MC11[5]	ID-20	ID-19	ID-18	RTR	IDE	—	ID-17	ID-16	
MC11[6]	ID-28	ID-27	ID-26	ID-25	ID-24	ID-23	ID-22	ID-21	
MC11[7]	ID-7	ID-6	ID-5	ID-4	ID-3	ID-2	ID-1	ID-0	
MC11[8]	ID-15	ID-14	ID-13	ID-12	ID-11	ID-10	ID-9	ID-8	
MC12[1]	—	—	—	—	DLC3	DLC2	DLC1	DLC0	
MC12[2]	—	—	—	—	—	—	—	—	
MC12[3]	—	—	—	—	—	—	—	—	
MC12[4]	—	—	—	—	—	—	—	—	
MC12[5]	ID-20	ID-19	ID-18	RTR	IDE	—	ID-17	ID-16	
MC12[6]	ID-28	ID-27	ID-26	ID-25	ID-24	ID-23	ID-22	ID-21	
MC12[7]	ID-7	ID-6	ID-5	ID-4	ID-3	ID-2	ID-1	ID-0	
MC12[8]	ID-15	ID-14	ID-13	ID-12	ID-11	ID-10	ID-9	ID-8	
MC13[1]	—	—	—	—	DLC3	DLC2	DLC1	DLC0	
MC13[2]	—	—	—	—	—	—	—	—	

Register Abbreviation	Bit 7	Bit 6	Bit 5	Bit 4	Bit 3	Bit 2	Bit 1	Bit 0	Module
MC13[3]	—	—	—	—	—	—	—	—	HCAN_1
MC13[4]	—	—	—	—	—	—	—	—	
MC13[5]	ID-20	ID-19	ID-18	RTR	IDE	—	ID-17	ID-16	
MC13[6]	ID-28	ID-27	ID-26	ID-25	ID-24	ID-23	ID-22	ID-21	
MC13[7]	ID-7	ID-6	ID-5	ID-4	ID-3	ID-2	ID-1	ID-0	
MC13[8]	ID-15	ID-14	ID-13	ID-12	ID-11	ID-10	ID-9	ID-8	
MC14[1]	—	—	—	—	DLC3	DLC2	DLC1	DLC0	
MC14[2]	—	—	—	—	—	—	—	—	
MC14[3]	—	—	—	—	—	—	—	—	
MC14[4]	—	—	—	—	—	—	—	—	
MC14[5]	ID-20	ID-19	ID-18	RTR	IDE	—	ID-17	ID-16	
MC14[6]	ID-28	ID-27	ID-26	ID-25	ID-24	ID-23	ID-22	ID-21	
MC14[7]	ID-7	ID-6	ID-5	ID-4	ID-3	ID-2	ID-1	ID-0	
MC14[8]	ID-15	ID-14	ID-13	ID-12	ID-11	ID-10	ID-9	ID-8	
MC15[1]	—	—	—	—	DLC3	DLC2	DLC1	DLC0	
MC15[2]	—	—	—	—	—	—	—	—	
MC15[3]	—	—	—	—	—	—	—	—	
MC15[4]	—	—	—	—	—	—	—	—	
MC15[5]	ID-20	ID-19	ID-18	RTR	IDE	—	ID-17	ID-16	
MC15[6]	ID-28	ID-27	ID-26	ID-25	ID-24	ID-23	ID-22	ID-21	
MC15[7]	ID-7	ID-6	ID-5	ID-4	ID-3	ID-2	ID-1	ID-0	
MC15[8]	ID-15	ID-14	ID-13	ID-12	ID-11	ID-10	ID-9	ID-8	
MD0[1]	Bit7	Bit6	Bit5	Bit4	Bit3	Bit2	Bit1	Bit0	
MD0[2]	Bit7	Bit6	Bit5	Bit4	Bit3	Bit2	Bit1	Bit0	
MD0[3]	Bit7	Bit6	Bit5	Bit4	Bit3	Bit2	Bit1	Bit0	
MD0[4]	Bit7	Bit6	Bit5	Bit4	Bit3	Bit2	Bit1	Bit0	
MD0[5]	Bit7	Bit6	Bit5	Bit4	Bit3	Bit2	Bit1	Bit0	
MD0[6]	Bit7	Bit6	Bit5	Bit4	Bit3	Bit2	Bit1	Bit0	
MD0[7]	Bit7	Bit6	Bit5	Bit4	Bit3	Bit2	Bit1	Bit0	
MD0[8]	Bit7	Bit6	Bit5	Bit4	Bit3	Bit2	Bit1	Bit0	
MD1[1]	Bit7	Bit6	Bit5	Bit4	Bit3	Bit2	Bit1	Bit0	



Register Abbreviation	Bit 7	Bit 6	Bit 5	Bit 4	Bit 3	Bit 2	Bit 1	Bit 0	Module
MD1[2]	Bit7	Bit6	Bit5	Bit4	Bit3	Bit2	Bit1	Bit0	HCAN_1
MD1[3]	Bit7	Bit6	Bit5	Bit4	Bit3	Bit2	Bit1	Bit0	
MD1[4]	Bit7	Bit6	Bit5	Bit4	Bit3	Bit2	Bit1	Bit0	
MD1[5]	Bit7	Bit6	Bit5	Bit4	Bit3	Bit2	Bit1	Bit0	
MD1[6]	Bit7	Bit6	Bit5	Bit4	Bit3	Bit2	Bit1	Bit0	
MD1[7]	Bit7	Bit6	Bit5	Bit4	Bit3	Bit2	Bit1	Bit0	
MD1[8]	Bit7	Bit6	Bit5	Bit4	Bit3	Bit2	Bit1	Bit0	
MD2[1]	Bit7	Bit6	Bit5	Bit4	Bit3	Bit2	Bit1	Bit0	
MD2[2]	Bit7	Bit6	Bit5	Bit4	Bit3	Bit2	Bit1	Bit0	
MD2[3]	Bit7	Bit6	Bit5	Bit4	Bit3	Bit2	Bit1	Bit0	
MD2[4]	Bit7	Bit6	Bit5	Bit4	Bit3	Bit2	Bit1	Bit0	
MD2[5]	Bit7	Bit6	Bit5	Bit4	Bit3	Bit2	Bit1	Bit0	
MD2[6]	Bit7	Bit6	Bit5	Bit4	Bit3	Bit2	Bit1	Bit0	
MD2[7]	Bit7	Bit6	Bit5	Bit4	Bit3	Bit2	Bit1	Bit0	
MD2[8]	Bit7	Bit6	Bit5	Bit4	Bit3	Bit2	Bit1	Bit0	
MD3[1]	Bit7	Bit6	Bit5	Bit4	Bit3	Bit2	Bit1	Bit0	
MD3[2]	Bit7	Bit6	Bit5	Bit4	Bit3	Bit2	Bit1	Bit0	
MD3[3]	Bit7	Bit6	Bit5	Bit4	Bit3	Bit2	Bit1	Bit0	
MD3[4]	Bit7	Bit6	Bit5	Bit4	Bit3	Bit2	Bit1	Bit0	
MD3[5]	Bit7	Bit6	Bit5	Bit4	Bit3	Bit2	Bit1	Bit0	
MD3[6]	Bit7	Bit6	Bit5	Bit4	Bit3	Bit2	Bit1	Bit0	
MD3[7]	Bit7	Bit6	Bit5	Bit4	Bit3	Bit2	Bit1	Bit0	
MD3[8]	Bit7	Bit6	Bit5	Bit4	Bit3	Bit2	Bit1	Bit0	
MD4[1]	Bit7	Bit6	Bit5	Bit4	Bit3	Bit2	Bit1	Bit0	
MD4[2]	Bit7	Bit6	Bit5	Bit4	Bit3	Bit2	Bit1	Bit0	
MD4[3]	Bit7	Bit6	Bit5	Bit4	Bit3	Bit2	Bit1	Bit0	
MD4[4]	Bit7	Bit6	Bit5	Bit4	Bit3	Bit2	Bit1	Bit0	
MD4[5]	Bit7	Bit6	Bit5	Bit4	Bit3	Bit2	Bit1	Bit0	
MD4[6]	Bit7	Bit6	Bit5	Bit4	Bit3	Bit2	Bit1	Bit0	
MD4[7]	Bit7	Bit6	Bit5	Bit4	Bit3	Bit2	Bit1	Bit0	
MD4[8]	Bit7	Bit6	Bit5	Bit4	Bit3	Bit2	Bit1	Bit0	

Register									
Abbreviation	Bit 7	Bit 6	Bit 5	Bit 4	Bit 3	Bit 2	Bit 1	Bit 0	Module
MD5[1]	Bit7	Bit6	Bit5	Bit4	Bit3	Bit2	Bit1	Bit0	HCAN_1
MD5[2]	Bit7	Bit6	Bit5	Bit4	Bit3	Bit2	Bit1	Bit0	
MD5[3]	Bit7	Bit6	Bit5	Bit4	Bit3	Bit2	Bit1	Bit0	
MD5[4]	Bit7	Bit6	Bit5	Bit4	Bit3	Bit2	Bit1	Bit0	
MD5[5]	Bit7	Bit6	Bit5	Bit4	Bit3	Bit2	Bit1	Bit0	
MD5[6]	Bit7	Bit6	Bit5	Bit4	Bit3	Bit2	Bit1	Bit0	
MD5[7]	Bit7	Bit6	Bit5	Bit4	Bit3	Bit2	Bit1	Bit0	
MD5[8]	Bit7	Bit6	Bit5	Bit4	Bit3	Bit2	Bit1	Bit0	
MD6[1]	Bit7	Bit6	Bit5	Bit4	Bit3	Bit2	Bit1	Bit0	
MD6[2]	Bit7	Bit6	Bit5	Bit4	Bit3	Bit2	Bit1	Bit0	
MD6[3]	Bit7	Bit6	Bit5	Bit4	Bit3	Bit2	Bit1	Bit0	
MD6[4]	Bit7	Bit6	Bit5	Bit4	Bit3	Bit2	Bit1	Bit0	
MD6[5]	Bit7	Bit6	Bit5	Bit4	Bit3	Bit2	Bit1	Bit0	
MD6[6]	Bit7	Bit6	Bit5	Bit4	Bit3	Bit2	Bit1	Bit0	
MD6[7]	Bit7	Bit6	Bit5	Bit4	Bit3	Bit2	Bit1	Bit0	
MD6[8]	Bit7	Bit6	Bit5	Bit4	Bit3	Bit2	Bit1	Bit0	
MD7[1]	Bit7	Bit6	Bit5	Bit4	Bit3	Bit2	Bit1	Bit0	
MD7[2]	Bit7	Bit6	Bit5	Bit4	Bit3	Bit2	Bit1	Bit0	
MD7[3]	Bit7	Bit6	Bit5	Bit4	Bit3	Bit2	Bit1	Bit0	
MD7[4]	Bit7	Bit6	Bit5	Bit4	Bit3	Bit2	Bit1	Bit0	
MD7[5]	Bit7	Bit6	Bit5	Bit4	Bit3	Bit2	Bit1	Bit0	
MD7[6]	Bit7	Bit6	Bit5	Bit4	Bit3	Bit2	Bit1	Bit0	
MD7[7]	Bit7	Bit6	Bit5	Bit4	Bit3	Bit2	Bit1	Bit0	
MD7[8]	Bit7	Bit6	Bit5	Bit4	Bit3	Bit2	Bit1	Bit0	
MD8[1]	Bit7	Bit6	Bit5	Bit4	Bit3	Bit2	Bit1	Bit0	
MD8[2]	Bit7	Bit6	Bit5	Bit4	Bit3	Bit2	Bit1	Bit0	
MD8[3]	Bit7	Bit6	Bit5	Bit4	Bit3	Bit2	Bit1	Bit0	
MD8[4]	Bit7	Bit6	Bit5	Bit4	Bit3	Bit2	Bit1	Bit0	
MD8[5]	Bit7	Bit6	Bit5	Bit4	Bit3	Bit2	Bit1	Bit0	
MD8[6]	Bit7	Bit6	Bit5	Bit4	Bit3	Bit2	Bit1	Bit0	

Register Abbreviation	Bit 7	Bit 6	Bit 5	Bit 4	Bit 3	Bit 2	Bit 1	Bit 0	Module
MD8[7]	Bit7	Bit6	Bit5	Bit4	Bit3	Bit2	Bit1	Bit0	HCAN_1
MD8[8]	Bit7	Bit6	Bit5	Bit4	Bit3	Bit2	Bit1	Bit0	
MD9[1]	Bit7	Bit6	Bit5	Bit4	Bit3	Bit2	Bit1	Bit0	
MD9[2]	Bit7	Bit6	Bit5	Bit4	Bit3	Bit2	Bit1	Bit0	
MD9[3]	Bit7	Bit6	Bit5	Bit4	Bit3	Bit2	Bit1	Bit0	
MD9[4]	Bit7	Bit6	Bit5	Bit4	Bit3	Bit2	Bit1	Bit0	
MD9[5]	Bit7	Bit6	Bit5	Bit4	Bit3	Bit2	Bit1	Bit0	
MD9[6]	Bit7	Bit6	Bit5	Bit4	Bit3	Bit2	Bit1	Bit0	
MD9[7]	Bit7	Bit6	Bit5	Bit4	Bit3	Bit2	Bit1	Bit0	
MD9[8]	Bit7	Bit6	Bit5	Bit4	Bit3	Bit2	Bit1	Bit0	
MD10[1]	Bit7	Bit6	Bit5	Bit4	Bit3	Bit2	Bit1	Bit0	
MD10[2]	Bit7	Bit6	Bit5	Bit4	Bit3	Bit2	Bit1	Bit0	
MD10[3]	Bit7	Bit6	Bit5	Bit4	Bit3	Bit2	Bit1	Bit0	
MD10[4]	Bit7	Bit6	Bit5	Bit4	Bit3	Bit2	Bit1	Bit0	
MD10[5]	Bit7	Bit6	Bit5	Bit4	Bit3	Bit2	Bit1	Bit0	
MD10[6]	Bit7	Bit6	Bit5	Bit4	Bit3	Bit2	Bit1	Bit0	
MD10[7]	Bit7	Bit6	Bit5	Bit4	Bit3	Bit2	Bit1	Bit0	
MD10[8]	Bit7	Bit6	Bit5	Bit4	Bit3	Bit2	Bit1	Bit0	
MD11[1]	Bit7	Bit6	Bit5	Bit4	Bit3	Bit2	Bit1	Bit0	
MD11[2]	Bit7	Bit6	Bit5	Bit4	Bit3	Bit2	Bit1	Bit0	
MD11[3]	Bit7	Bit6	Bit5	Bit4	Bit3	Bit2	Bit1	Bit0	
MD11[4]	Bit7	Bit6	Bit5	Bit4	Bit3	Bit2	Bit1	Bit0	
MD11[5]	Bit7	Bit6	Bit5	Bit4	Bit3	Bit2	Bit1	Bit0	
MD11[6]	Bit7	Bit6	Bit5	Bit4	Bit3	Bit2	Bit1	Bit0	
MD11[7]	Bit7	Bit6	Bit5	Bit4	Bit3	Bit2	Bit1	Bit0	
MD11[8]	Bit7	Bit6	Bit5	Bit4	Bit3	Bit2	Bit1	Bit0	
MD12[1]	Bit7	Bit6	Bit5	Bit4	Bit3	Bit2	Bit1	Bit0	
MD12[2]	Bit7	Bit6	Bit5	Bit4	Bit3	Bit2	Bit1	Bit0	
MD12[3]	Bit7	Bit6	Bit5	Bit4	Bit3	Bit2	Bit1	Bit0	
MD12[4]	Bit7	Bit6	Bit5	Bit4	Bit3	Bit2	Bit1	Bit0	
MD12[5]	Bit7	Bit6	Bit5	Bit4	Bit3	Bit2	Bit1	Bit0	

Register	Bit 7	Bit 6	Bit 5	Bit 4	Bit 3	Bit 2	Bit 1	Bit 0	Module
MD12[6]	Bit7	Bit6	Bit5	Bit4	Bit3	Bit2	Bit1	Bit0	HCAN_1
MD12[7]	Bit7	Bit6	Bit5	Bit4	Bit3	Bit2	Bit1	Bit0	
MD12[8]	Bit7	Bit6	Bit5	Bit4	Bit3	Bit2	Bit1	Bit0	
MD13[1]	Bit7	Bit6	Bit5	Bit4	Bit3	Bit2	Bit1	Bit0	
MD13[2]	Bit7	Bit6	Bit5	Bit4	Bit3	Bit2	Bit1	Bit0	
MD13[3]	Bit7	Bit6	Bit5	Bit4	Bit3	Bit2	Bit1	Bit0	
MD13[4]	Bit7	Bit6	Bit5	Bit4	Bit3	Bit2	Bit1	Bit0	
MD13[5]	Bit7	Bit6	Bit5	Bit4	Bit3	Bit2	Bit1	Bit0	
MD13[6]	Bit7	Bit6	Bit5	Bit4	Bit3	Bit2	Bit1	Bit0	
MD13[7]	Bit7	Bit6	Bit5	Bit4	Bit3	Bit2	Bit1	Bit0	
MD13[8]	Bit7	Bit6	Bit5	Bit4	Bit3	Bit2	Bit1	Bit0	
MD14[1]	Bit7	Bit6	Bit5	Bit4	Bit3	Bit2	Bit1	Bit0	
MD14[2]	Bit7	Bit6	Bit5	Bit4	Bit3	Bit2	Bit1	Bit0	
MD14[3]	Bit7	Bit6	Bit5	Bit4	Bit3	Bit2	Bit1	Bit0	
MD14[4]	Bit7	Bit6	Bit5	Bit4	Bit3	Bit2	Bit1	Bit0	
MD14[5]	Bit7	Bit6	Bit5	Bit4	Bit3	Bit2	Bit1	Bit0	
MD14[6]	Bit7	Bit6	Bit5	Bit4	Bit3	Bit2	Bit1	Bit0	
MD14[7]	Bit7	Bit6	Bit5	Bit4	Bit3	Bit2	Bit1	Bit0	
MD14[8]	Bit7	Bit6	Bit5	Bit4	Bit3	Bit2	Bit1	Bit0	
MD15[1]	Bit7	Bit6	Bit5	Bit4	Bit3	Bit2	Bit1	Bit0	
MD15[2]	Bit7	Bit6	Bit5	Bit4	Bit3	Bit2	Bit1	Bit0	
MD15[3]	Bit7	Bit6	Bit5	Bit4	Bit3	Bit2	Bit1	Bit0	
MD15[4]	Bit7	Bit6	Bit5	Bit4	Bit3	Bit2	Bit1	Bit0	
MD15[5]	Bit7	Bit6	Bit5	Bit4	Bit3	Bit2	Bit1	Bit0	
MD15[6]	Bit7	Bit6	Bit5	Bit4	Bit3	Bit2	Bit1	Bit0	
MD15[7]	Bit7	Bit6	Bit5	Bit4	Bit3	Bit2	Bit1	Bit0	
MD15[8]	Bit7	Bit6	Bit5	Bit4	Bit3	Bit2	Bit1	Bit0	
HCANMON_1	RxDIE	TxSTP	PKFE	—	—	—	TxD	RxD	
PWCR_1	—	—	IE	CMF	CST	CKS2	CKS1	CKS0	PWM_1
PWOCR_1	OE1H	OE1G	OE1F	OE1E	OE1D	OE1C	OE1B	OE1A	
PWPR_1	OPS1H	OPS1G	OPS1F	OPS1E	OPS1D	OPS1C	OPS1B	OPS1A	

Register Abbreviation	Bit 7	Bit 6	Bit 5	Bit 4	Bit 3	Bit 2	Bit 1	Bit 0	Module
PWCYR_1	—	—	—	—	—	—	Bit9	Bit8	PWM_1
	Bit7	Bit6	Bit5	Bit4	Bit3	Bit2	Bit1	Bit0	
PWBFR_1A	—	—	—	OTS	—	—	DT9	DT8	
	DT7	DT6	DT5	DT4	DT3	DT2	DT1	DT0	
PWBFR_1C	—	—	—	OTS	—	—	DT9	DT8	
	DT7	DT6	DT5	DT4	DT3	DT2	DT1	DT0	
PWBFR_1E	—	—	—	OTS	—	—	DT9	DT8	
	DT7	DT6	DT5	DT4	DT3	DT2	DT1	DT0	
PWBFR_1G	—	—	—	OTS	—	—	DT9	DT8	
	DT7	DT6	DT5	DT4	DT3	DT2	DT1	DT0	
PWCR_2	—	—	IE	CMF	CST	CKS2	CKS1	CKS0	PWM_2
PWOCR_2	OE2H	OE2G	OE2F	OE2E	OE2D	OE2C	OE2B	OE2A	
PWPR_2	OPS2H	OPS2G	OPS2F	OPS2E	OPS2D	OPS2C	OPS2B	OPS2A	
PWCYR_2	—	—	—	—	—	—	Bit9	Bit8	
	Bit7	Bit6	Bit5	Bit4	Bit3	Bit2	Bit1	Bit0	
PWBFR_2A	—	—	—	TDS	—	—	DT9	DT8	
	DT7	DT6	DT5	DT4	DT3	DT2	DT1	DT0	
PWBFR_2C	—	—	—	TDS	—	—	DT9	DT8	
	DT7	DT6	DT5	DT4	DT3	DT2	DT1	DT0	
PWBFR_2E	—	—	—	TDS	—	—	DT9	DT8	
	DT7	DT6	DT5	DT4	DT3	DT2	DT1	DT0	
PWBFR_2G	—	—	—	TDS	—	—	DT9	DT8	
	DT7	DT6	DT5	DT4	DT3	DT2	DT1	DT0	
PHDDR	PH7DDR	PH6DDR	PH5DDR	PH4DDR	PH3DDR	PH2DDR	PH1DDR	PH0DDR	PORT
PJDDR	PJ7DDR	PJ6DDR	PJ5DDR	PJ4DDR	PJ3DDR	PJ2DDR	PJ1DDR	PJ0DDR	
PKDDR	PK7DDR	PK6DDR	—	—	—	—	—	—	
PHDR	PH7DR	PH6DR	PH5DR	PH4DR	PH3DR	PH2DR	PH1DR	PH0DR	
PJDR	PJ7DR	PJ6DR	PJ5DR	PJ4DR	PJ3DR	PJ2DR	PJ1DR	PJ0DR	
PKDR	PK7DR	PK6DR	—	—	—	—	—	—	
PORTH	PH7	PH6	PH5	PH4	PH3	PH2	PH1	PH0	

Register Abbreviation	Bit 7	Bit 6	Bit 5	Bit 4	Bit 3	Bit 2	Bit 1	Bit 0	Module
PORTJ	PJ7	PJ6	PJ5	PJ4	PJ3	PJ2	PJ1	PJ0	PORT
PORTK	PK7	PK6	—	—	—	—	—	—	
LPCR	DTS1	DTS0	CMX	—	SGS3	SGS2	SGS1	SGS0	LCD
LCR	—	PSW	ACT	DISP	CKS3	CKS2	CKS1	CKS0	
LCR2	LCDAB	—	—	—	—	—	—	—	
MSTPCRD	MSTPD7	MSTPD6	MSTPD5	MSTPD4	MSTPD3	MSTPD2	MSTPD1	MSTPD0	SYSTEM
PWBTCR	BTC2G	BTC2E	BTC2C	BTC2A	BTC2G	BTC1E	BTC1C	BTC1A	PWM common
SMR_4*	$C\bar{A}$ (GM)	CHR (BLK)	PE (PE)	$O\bar{E}$ ( $O/\bar{E}$ )	STOP (BCP1)	MP (BCP0)	CKS1 (CKS1)	CKS0 (CKS0)	SCL_4
BRR_4	Bit7	Bit6	Bit5	Bit4	Bit3	Bit2	Bit1	Bit0	
SCR_4	TIE	RIE	TE	RE	MPIE	TEIE	CKE1	CKE0	
TDR_4	Bit7	Bit6	Bit5	Bit4	Bit3	Bit2	Bit1	Bit0	
SSR_4*	TDRE (TDRE)	RDRF (RDRF)	ORER (ORER)	FER (ERS)	PER (PER)	TEND (TEND)	MPB (MPB)	MPBT (MPBT)	
RDR_4	Bit7	Bit6	Bit5	Bit4	Bit3	Bit2	Bit1	Bit0	
SCMR_4	—	—	—	—	SDIR	SINV	—	SMIF	
SBYCR	SSBY	STS2	STS1	STS0	OPE	—	—	—	SYSTEM
SYSCR	MACS	—	INTM1	INTM0	NMIEG	—	—	RAME	
SCKCR	PSTOP	—	—	—	STCS	SCK2	SCK1	SCK0	
MDCR	—	—	—	—	—	MDS2	MDS1	MDS0	
MSTPCRA	MSTPA7	MSTPA6	MSTPA5	MSTPA4	MSTPA3	MSTPA2	MSTPA1	MSTPA0	
MSTPCRB	MSTPB7	MSTPB6	MSTPB5	MSTPB4	MSTPB3	MSTPB2	MSTPB1	MSTPB0	
MSTPCRC	MSTPC7	MSTPC6	MSTPC5	MSTPC4	MSTPC3	MSTPC2	MSTPC1	MSTPC0	
PFCR	—	—	—	—	AE3	AE2	AE1	AE0	BSC
LPWRCR	DTON	LSON	NESEL	SUBSTP	RFCUT	—	STC1	STC0	SYSTEM
BARA	—	—	—	—	—	—	—	—	PBC
	Bit23	Bit22	Bit21	Bit20	Bit19	Bit18	Bit17	Bit16	
	Bit15	Bit14	Bit13	Bit12	Bit11	Bit10	Bit9	Bit8	
	Bit7	Bit6	Bit5	Bit4	Bit3	Bit2	Bit1	Bit0	

Register Abbreviation	Bit 7	Bit 6	Bit 5	Bit 4	Bit 3	Bit 2	Bit 1	Bit 0	Module	
BARB	—	—	—	—	—	—	—	—	PBC	
	Bit23	Bit22	Bit21	Bit20	Bit19	Bit18	Bit17	Bit16		
	Bit15	Bit14	Bit13	Bit12	Bit11	Bit10	Bit9	Bit8		
	Bit7	Bit6	Bit5	Bit4	Bit3	Bit2	Bit1	Bit0		
BCRA	CMFA	CDA	BAMA2	BAMA1	BAMA0	CSELA1	CSELA0	BIEA		
BCRB	CMFB	CDB	BAMB2	BAMB1	BAMB0	CSELB1	CSELB0	BIEB		
ISCRH	—	—	—	—	IRQ5SCB	IRQ5SCA	IRQ4SCB	IRQ4SCA	INT	
ISCR_L	IRQ3SCB	IRQ3SCA	IRQ2SCB	IRQ2SCA	IRQ1SCB	IRQ1SCA	IRQ0SCB	IRQ0SCA		
IER	—	—	IRQ5E	IRQ4E	IRQ3E	IRQ2E	IRQ1E	IRQ0E		
ISR	—	—	IRQ5F	IRQ4F	IRQ3F	IRQ2F	IRQ1F	IRQ0F		
DTCERA	DTCEA7	DTCEA6	DTCEA5	DTCEA4	DTCEA3	DTCEA2	DTCEA1	DTCEA0	DTC	
DTCERB	DTCEB7	DTCEB6	DTCEB5	DTCEB4	DTCEB3	DTCEB2	DTCEB1	DTCEB0		
DTCERC	DTCEC7	DTCEC6	DTCEC5	DTCEC4	DTCEC3	DTCEC2	DTCEC1	DTCEC0		
DTCERD	DTCED7	DTCED6	DTCED5	DTCED4	DTCED3	DTCED2	DTCED1	DTCED0		
DTCERE	DTCEE7	DTCEE6	DTCEE5	DTCEE4	DTCEE3	DTCEE2	DTCEE1	DTCEE0		
DTCERF	DTCEF7	DTCEF6	DTCEF5	DTCEF4	DTCEF3	DTCEF2	DTCEF1	DTCEF0		
DTCERG	DTCEG7	DTCEG6	DTCEG5	DTCEG4	DTCEG3	DTCEG2	DTCEG1	DTCEG0		
DTCERI	DTCEI7	DTCEI6	DTCEI5	DTCEI4	DTCEI3	DTCEI2	DTCEI1	DTCEI0		
DTVECR	SWDTE	DTVEC6	DTVEC5	DTVEC4	DTVEC3	DTVEC2	DTVEC1	DTVEC0		
PCR	G3CMS1	G3CMS0	G2CMS1	G2CMS0	G1CMS1	G1CMS0	G0CMS1	G0CMS0		PPG
PMR	G3INV	G2INV	G1INV	G0INV	G3NOV	G2NOV	G1NOV	G0NOV		
NDERH	NDER15	NDER14	NDER13	NDER12	NDER11	NDER10	NDER9	NDER8		
NDERL	NDER7	NDER6	NDER5	NDER4	NDER3	NDER2	NDER1	NDER0		
PODRH	POD15	POD14	POD13	POD12	POD11	POD10	POD9	POD8		
PODRL	POD7	POD6	POD5	POD4	POD3	POD2	POD1	POD0		
NDRH	NDR15	NDR14	NDR13	NDR12	—	—	—	—		
NDRL	NDR7	NDR6	NDR5	NDR4	—	—	—	—		
NDRH	—	—	—	—	NDR11	NDR10	NDR9	NDR8		
NDRL	—	—	—	—	NDR3	NDR2	NDR1	NDR0		

Register Abbreviation	Bit 7	Bit 6	Bit 5	Bit 4	Bit 3	Bit 2	Bit 1	Bit 0	Module
P1DDR	P17DDR	P16DDR	P15DDR	P14DDR	P13DDR	P12DDR	P11DDR	P10DDR	PORT
P2DDR	P27DDR	P26DDR	P25DDR	P24DDR	P23DDR	P22DDR	P21DDR	P20DDR	
P3DDR	P37DDR	P36DDR	P35DDR	P34DDR	P33DDR	P32DDR	P31DDR	P30DDR	
P5DDR	—	—	—	—	—	P52DDR	P51DDR	P50DDR	
PADDR	PA7DDR	PA6DDR	PA5DDR	PA4DDR	PA3DDR	PA2DDR	PA1DDR	PA0DDR	
PBDDR	PB7DDR	PB6DDR	PB5DDR	PB4DDR	PB3DDR	PB2DDR	PB1DDR	PB0DDR	
PCDDR	PC7DDR	PC6DDR	PC5DDR	PC4DDR	PC3DDR	PC2DDR	PC1DDR	PC0DDR	
PDDDR	PD7DDR	PD6DDR	PD5DDR	PD4DDR	PD3DDR	PD2DDR	PD1DDR	PD0DDR	
PEDDR	PE7DDR	PE6DDR	PE5DDR	PE4DDR	PE3DDR	PE2DDR	PE1DDR	PE0DDR	
PFDDR	PF7DDR	PF6DDR	PF5DDR	PF4DDR	PF3DDR	PF2DDR	—	PF0DDR	
PAPCR	PA7PCR	PA6PCR	PA5PCR	PA4PCR	PA3PCR	PA2PCR	PA1PCR	PA0PCR	
PBPCR	PB7PCR	PB6PCR	PB5PCR	PB4PCR	PB3PCR	PB2PCR	PB1PCR	PB0PCR	
PCPCR	PC7PCR	PC6PCR	PC5PCR	PC4PCR	PC3PCR	PC2PCR	PC1PCR	PC0PCR	
PDPCR	PD7PCR	PD6PCR	PD5PCR	PD4PCR	PD3PCR	PD2PCR	PD1PCR	PD0PCR	
PEPCR	PE7PCR	PE6PCR	PE5PCR	PE4PCR	PE3PCR	PE2PCR	PE1PCR	PE0PCR	
P3ODR	P37ODR	P36ODR	P35ODR	P34ODR	P33ODR	P32ODR	P31ODR	P30ODR	
PAODR	PA7ODR	PA6ODR	PA5ODR	PA4ODR	PA3ODR	PA2ODR	PA1ODR	PA0ODR	
PBODR	PB7ODR	PB6ODR	PB5ODR	PB4ODR	PB3ODR	PB2ODR	PB1ODR	PB0ODR	
PCODR	PC7ODR	PC6ODR	PC5ODR	PC4ODR	PC3ODR	PC2ODR	PC1ODR	PC0ODR	
TCR_3	CCLR2	CCLR1	CCLR0	CKEG1	CKEG0	TPSC2	TPSC1	TPSC0	TPU_3
TMDR_3	—	—	BFB	BFA	MD3	MD2	MD1	MD0	
TIORH_3	IOB3	IOB2	IOB1	IOB0	IOA3	IOA2	IOA1	IOA0	
TIORL_3	IOD3	IOD2	IOD1	IOD0	IOC3	IOC2	IOC1	IOC0	
TIER_3	TTGE	—	—	TCIEV	TGIED	TGIEC	TGIEB	TGIEA	
TSR_3	—	—	—	TCFV	TGFD	TGFC	TGFB	TGFA	
TCNTH_3	Bit15	Bit14	Bit13	Bit12	Bit11	Bit10	Bit9	Bit8	
TCNTL_3	Bit7	Bit6	Bit5	Bit4	Bit3	Bit2	Bit1	Bit0	
TGRAH_3	Bit15	Bit14	Bit13	Bit12	Bit11	Bit10	Bit9	Bit8	
TGRAL_3	Bit7	Bit6	Bit5	Bit4	Bit3	Bit2	Bit1	Bit0	
TGRBH_3	Bit15	Bit14	Bit13	Bit12	Bit11	Bit10	Bit9	Bit8	
TGRBL_3	Bit7	Bit6	Bit5	Bit4	Bit3	Bit2	Bit1	Bit0	



Register Abbreviation	Bit 7	Bit 6	Bit 5	Bit 4	Bit 3	Bit 2	Bit 1	Bit 0	Module
TGRCH_3	Bit15	Bit14	Bit13	Bit12	Bit11	Bit10	Bit9	Bit8	TPU_3
TGRCL_3	Bit7	Bit6	Bit5	Bit4	Bit3	Bit2	Bit1	Bit0	
TGRDH_3	Bit15	Bit14	Bit13	Bit12	Bit11	Bit10	Bit9	Bit8	
TGRDL_3	Bit7	Bit6	Bit5	Bit4	Bit3	Bit2	Bit1	Bit0	TPU_4
TCR_4	—	CCLR1	CCLR0	CKEG1	CKEG0	TPSC2	TPSC1	TPSC0	
TMDR_4	—	—	—	—	MD3	MD2	MD1	MD0	
TIOR_4	IOB3	IOB2	IOB1	IOB0	IOA3	IOA2	IOA1	IOA0	
TIER_4	TTGE	—	TCIEU	TCIEV	—	—	TGIEB	TGIEA	
TSR_4	TCFD	—	TCFU	TCFV	—	—	TGFB	TGFA	
TCNTH_4	Bit15	Bit14	Bit13	Bit12	Bit11	Bit10	Bit9	Bit8	
TCNTL_4	Bit7	Bit6	Bit5	Bit4	Bit3	Bit2	Bit1	Bit0	
TGRAH_4	Bit15	Bit14	Bit13	Bit12	Bit11	Bit10	Bit9	Bit8	
TGRAL_4	Bit7	Bit6	Bit5	Bit4	Bit3	Bit2	Bit1	Bit0	
TGRBH_4	Bit15	Bit14	Bit13	Bit12	Bit11	Bit10	Bit9	Bit8	TPU_5
TGRBL_4	Bit7	Bit6	Bit5	Bit4	Bit3	Bit2	Bit1	Bit0	
TCR_5	—	CCLR1	CCLR0	CKEG1	CKEG0	TPSC2	TPSC1	TPSC0	
TMDR_5	—	—	—	—	MD3	MD2	MD1	MD0	
TIOR_5	IOB3	IOB2	IOB1	IOB0	IOA3	IOA2	IOA1	IOA0	
TIER_5	TTGE	—	TCIEU	TCIEV	—	—	TGIEB	TGIEA	
TSR_5	TCFD	—	TCFU	TCFV	—	—	TGFB	TGFA	
TCNTH_5	Bit15	Bit14	Bit13	Bit12	Bit11	Bit10	Bit9	Bit8	
TCNTL_5	Bit7	Bit6	Bit5	Bit4	Bit3	Bit2	Bit1	Bit0	
TGRAH_5	Bit15	Bit14	Bit13	Bit12	Bit11	Bit10	Bit9	Bit8	
TGRAL_5	Bit7	Bit6	Bit5	Bit4	Bit3	Bit2	Bit1	Bit0	
TGRBH_5	Bit15	Bit14	Bit13	Bit12	Bit11	Bit10	Bit9	Bit8	TPU common
TGRBL_5	Bit7	Bit6	Bit5	Bit4	Bit3	Bit2	Bit1	Bit0	
TSTR	—	—	CST5	CST4	CST3	CST2	CST1	CST0	
TSYR	—	—	SYNC5	SYNC4	SYNC3	SYNC2	SYNC1	SYNC0	
IPRA	—	IPR6	IPR5	IPR4	—	IPR2	IPR1	IPR0	INT
IPRB	—	IPR6	IPR5	IPR4	—	IPR2	IPR1	IPR0	
IPRC	—	IPR6	IPR5	IPR4	—	IPR2	IPR1	IPR0	

Register									
Abbreviation	Bit 7	Bit 6	Bit 5	Bit 4	Bit 3	Bit 2	Bit 1	Bit 0	Module
IPRD	—	IPR6	IPR5	IPR4	—	IPR2	IPR1	IPR0	INT
IPRE	—	IPR6	IPR5	IPR4	—	IPR2	IPR1	IPR0	
IPRF	—	IPR6	IPR5	IPR4	—	IPR2	IPR1	IPR0	
IPRG	—	IPR6	IPR5	IPR4	—	IPR2	IPR1	IPR0	
IPRH	—	IPR6	IPR5	IPR4	—	IPR2	IPR1	IPR0	
IPRJ	—	IPR6	IPR5	IPR4	—	IPR2	IPR1	IPR0	
IPRK	—	IPR6	IPR5	IPR4	—	IPR2	IPR1	IPR0	
IPRM	—	IPR6	IPR5	IPR4	—	IPR2	IPR1	IPR0	
IPRO	—	IPR6	IPR5	IPR4	—	IPR2	IPR1	IPR0	
ABWCR	ABW7	ABW6	ABW5	ABW4	ABW3	ABW2	ABW1	ABW0	BSC
ASTCR	AST7	AST6	AST5	AST4	AST3	AST2	AST1	AST0	
WCRH	W71	W70	W61	W60	W51	W50	W41	W40	
WCRL	W31	W30	W21	W20	W11	W10	W01	W00	
BCRH	ICIS1	ICIS0	BRSTRM	BRSTS1	BRSTS0	—	—	—	
BCRL	—	—	—	—	—	—	WDBE	WAITE	
RAMER	—	—	—	—	RAMS	RAM2	RAM1	RAM0	FLASH (F-ZTAT)
P1DR	P17DR	P16DR	P15DR	P14DR	P13DR	P12DR	P11DR	P10DR	PORT
P2DR	P27DR	P26DR	P25DR	P24DR	P23DR	P22DR	P21DR	P20DR	
P3DR	P37DR	P36DR	P35DR	P34DR	P33DR	P32DR	P31DR	P30DR	
P5DR	—	—	—	—	—	P52DR	P51DR	P50DR	
PADR	PA7DR	PA6DR	PA5DR	PA4DR	PA3DR	PA2DR	PA1DR	PA0DR	
PBDR	PB7DR	PB6DR	PB5DR	PB4DR	PB3DR	PB2DR	PB1DR	PB0DR	
PCDR	PC7DR	PC6DR	PC5DR	PC4DR	PC3DR	PC2DR	PC1DR	PC0DR	
PDDR	PD7DR	PD6DR	PD5DR	PD4DR	PD3DR	PD2DR	PD1DR	PD0DR	
PEDR	PE7DR	PE6DR	PE5DR	PE4DR	PE3DR	PE2DR	PE1DR	PE0DR	
PFDR	PF7DR	PF6DR	PF5DR	PF4DR	PF3DR	PF2DR	—	PF0DR	
TCR_0	CCLR2	CCLR1	CCLR0	CKEG1	CKEG0	TPSC2	TPSC1	TPSC0	TPU_0
TMDR_0	—	—	BFB	BFA	MD3	MD2	MD1	MD0	
TIORH_0	IOB3	IOB2	IOB1	IOB0	IOA3	IOA2	IOA1	IOA0	
TIORL_0	IOD3	IOD2	IOD1	IOD0	IOC3	IOC2	IOC1	IOC0	

Register Abbreviation	Bit 7	Bit 6	Bit 5	Bit 4	Bit 3	Bit 2	Bit 1	Bit 0	Module	
TIER_0	TTGE	—	—	TCIEV	TGIED	TGIEC	TGIEB	TGIEA	TPU_0	
TSR_0	—	—	—	TCFV	TGFD	TGFC	TGFB	TGFA		
TCNTH_0	Bit15	Bit14	Bit13	Bit12	Bit11	Bit10	Bit9	Bit8		
TCNTL_0	Bit7	Bit6	Bit5	Bit4	Bit3	Bit2	Bit1	Bit0		
TGRAH_0	Bit15	Bit14	Bit13	Bit12	Bit11	Bit10	Bit9	Bit8		
TGRAL_0	Bit7	Bit6	Bit5	Bit4	Bit3	Bit2	Bit1	Bit0		
TGRBH_0	Bit15	Bit14	Bit13	Bit12	Bit11	Bit10	Bit9	Bit8		
TGRBL_0	Bit7	Bit6	Bit5	Bit4	Bit3	Bit2	Bit1	Bit0		
TGRCH_0	Bit15	Bit14	Bit13	Bit12	Bit11	Bit10	Bit9	Bit8		
TGRCL_0	Bit7	Bit6	Bit5	Bit4	Bit3	Bit2	Bit1	Bit0		
TGRDH_0	Bit15	Bit14	Bit13	Bit12	Bit11	Bit10	Bit9	Bit8		
TGRDL_0	Bit7	Bit6	Bit5	Bit4	Bit3	Bit2	Bit1	Bit0		
TCR_1	—	CCLR1	CCLR0	CKEG1	CKEG0	TPSC2	TPSC1	TPSC0		TPU_1
TMDR_1	—	—	—	—	MD3	MD2	MD1	MD0		
TIOR_1	IOB3	IOB2	IOB1	IOB0	IOA3	IOA2	IOA1	IOA0		
TIER_1	TTGE	—	TCIEU	TCIEV	—	—	TGIEB	TGIEA		
TSR_1	TCFD	—	TCFU	TCFV	—	—	TGFB	TGFA		
TCNTH_1	Bit15	Bit14	Bit13	Bit12	Bit11	Bit10	Bit9	Bit8		
TCNTL_1	Bit7	Bit6	Bit5	Bit4	Bit3	Bit2	Bit1	Bit0		
TGRAH_1	Bit15	Bit14	Bit13	Bit12	Bit11	Bit10	Bit9	Bit8		
TGRAL_1	Bit7	Bit6	Bit5	Bit4	Bit3	Bit2	Bit1	Bit0		
TGRBH_1	Bit15	Bit14	Bit13	Bit12	Bit11	Bit10	Bit9	Bit8		
TGRBL_1	Bit7	Bit6	Bit5	Bit4	Bit3	Bit2	Bit1	Bit0		
TCR_2	—	CCLR1	CCLR0	CKEG1	CKEG0	TPSC2	TPSC1	TPSC0	TPU_2	
TMDR_2	—	—	—	—	MD3	MD2	MD1	MD0		
TIOR_2	IOB3	IOB2	IOB1	IOB0	IOA3	IOA2	IOA1	IOA0		
TIER_2	TTGE	—	TCIEU	TCIEV	—	—	TGIEB	TGIEA		
TSR_2	TCFD	—	TCFU	TCFV	—	—	TGFB	TGFA		
TCNTH_2	Bit15	Bit14	Bit13	Bit12	Bit11	Bit10	Bit9	Bit8		
TCNTL_2	Bit7	Bit6	Bit5	Bit4	Bit3	Bit2	Bit1	Bit0		
TGRAH_2	Bit15	Bit14	Bit13	Bit12	Bit11	Bit10	Bit9	Bit8		

Register Abbreviation	Bit 7	Bit 6	Bit 5	Bit 4	Bit 3	Bit 2	Bit 1	Bit 0	Module
TGRAL_2	Bit7	Bit6	Bit5	Bit4	Bit3	Bit2	Bit1	Bit0	TPU_2
TGRBH_2	Bit15	Bit14	Bit13	Bit12	Bit11	Bit10	Bit9	Bit8	
TGRBL_2	Bit7	Bit6	Bit5	Bit4	Bit3	Bit2	Bit1	Bit0	
TCSR_0	OVF	WT/IT	TME	—	—	CKS2	CKS1	CKS0	WDT_0
TCNT_0	Bit7	Bit6	Bit5	Bit4	Bit3	Bit2	Bit1	Bit0	
RSTCSR	WOVF	RSTE	RSTS	—	—	—	—	—	
SMR_0*	C/ $\bar{A}$ (GM)	CHR (BLK)	PE (PE)	O/ $\bar{E}$ (O/ $\bar{E}$ )	STOP (BCP1)	MP (BCP0)	CKS1 (CKS1)	CKS0 (CKS0)	SCI_0
BRR_0	Bit7	Bit6	Bit5	Bit4	Bit3	Bit2	Bit1	Bit0	
SCR_0	TIE	RIE	TE	RE	MPIE	TEIE	CKE1	CKE0	
TDR_0	Bit7	Bit6	Bit5	Bit4	Bit3	Bit2	Bit1	Bit0	
SSR_0*	TDRE (TDRE)	RDRF (RDRF)	ORER (ORER)	FER (ERS)	PER (PER)	TEND (TEND)	MPB (MPB)	MPBT (MPBT)	
RDR_0	Bit7	Bit6	Bit5	Bit4	Bit3	Bit2	Bit1	Bit0	
SCMR_0	—	—	—	—	SDIR	SINV	—	SMIF	
SMR_1*	C/ $\bar{A}$ (GM)	CHR (BLK)	PE (PE)	O/ $\bar{E}$ (O/ $\bar{E}$ )	STOP (BCP1)	MP (BCP0)	CKS1 (CKS1)	CKS0 (CKS0)	SCI_1
BRR_1	Bit7	Bit6	Bit5	Bit4	Bit3	Bit2	Bit1	Bit0	
SCR_1	TIE	RIE	TE	RE	MPIE	TEIE	CKE1	CKE0	
TDR_1	Bit7	Bit6	Bit5	Bit4	Bit3	Bit2	Bit1	Bit0	
SSR_1*	TDRE (TDRE)	RDRF (RDRF)	ORER (ORER)	FER (ERS)	PER (PER)	TEND (TEND)	MPB (MPB)	MPBT (MPBT)	
RDR_1	Bit7	Bit6	Bit5	Bit4	Bit3	Bit2	Bit1	Bit0	
SCMR_1	—	—	—	—	SDIR	SINV	—	SMIF	
SMR_2*	C/ $\bar{A}$ (GM)	CHR (BLK)	PE (PE)	O/ $\bar{E}$ (O/ $\bar{E}$ )	STOP (BCP1)	MP (BCP0)	CKS1 (CKS1)	CKS0 (CKS0)	SCI_2
BRR_2	Bit7	Bit6	Bit5	Bit4	Bit3	Bit2	Bit1	Bit0	
SCR_2	TIE	RIE	TE	RE	MPIE	TEIE	CKE1	CKE0	
TDR_2	Bit7	Bit6	Bit5	Bit4	Bit3	Bit2	Bit1	Bit0	
SSR_2*	TDRE (TDRE)	RDRF (RDRF)	ORER (ORER)	FER (ERS)	PER (PER)	TEND (TEND)	MPB (MPB)	MPBT (MPBT)	

Register Abbreviation	Bit 7	Bit 6	Bit 5	Bit 4	Bit 3	Bit 2	Bit 1	Bit 0	Module
RDR_2	Bit7	Bit6	Bit5	Bit4	Bit3	Bit2	Bit1	Bit0	SCI_2
SCMR_2	—	—	—	—	SDIR	SINV	—	SMIF	
ADDRAH	AD9	AD8	AD7	AD6	AD5	AD4	AD3	AD2	A/D
ADDRAL	AD1	AD0	—	—	—	—	—	—	
ADDRBH	AD9	AD8	AD7	AD6	AD5	AD4	AD3	AD2	
ADDRBL	AD1	AD0	—	—	—	—	—	—	
ADDRCH	AD9	AD8	AD7	AD6	AD5	AD4	AD3	AD2	
ADDRCL	AD1	AD0	—	—	—	—	—	—	
ADDRDH	AD9	AD8	AD7	AD6	AD5	AD4	AD3	AD2	
ADDRDL	AD1	AD0	—	—	—	—	—	—	
ADCSR	ADF	ADIE	ADST	SCAN	—	CH2	CH1	CH0	
ADCR	TRGS1	TRGS0	—	—	CKS1	CKS0	—	—	
TCSR_1	OVF	WT/IT	TME	PSS	RST/NMI	CKS2	CKS1	CKS0	WDT_1
TCNT_1	Bit7	Bit6	Bit5	Bit4	Bit3	Bit2	Bit1	Bit0	
FLMCR1	FWE	SWE	ESU	PSU	EV	PV	E	P	FLASH (F-ZTAT)
FLMCR2	FLER	—	—	—	—	—	—	—	
EBR1	EB7	EB6	EB5	EB4	EB3	EB2	EB1	EB0	
EBR2	—	—	—	—	EB11	EB10	EB9	EB8	
FLPWCR	PDWND	—	—	—	—	—	—	—	
PORT1	P17	P16	P15	P14	P13	P12	P11	P10	PORT
PORT2	P27	P26	P25	P24	P23	P22	P21	P20	
PORT3	P37	P36	P35	P34	P33	P32	P31	P30	
PORT4	P47	P46	P45	P44	P43	P42	P41	P40	
PORT5	—	—	—	—	—	P52	P51	P50	
PORT9	P97	P96	P95	P94	P93	P92	P91	P90	
PORTA	PA7	PA6	PA5	PA4	PA3	PA2	PA1	PA0	
PORTB	PB7	PB6	PB5	PB4	PB3	PB2	PB1	PB0	
PORTC	PC7	PC6	PC5	PC4	PC3	PC2	PC1	PC0	
PORTD	PD7	PD6	PD5	PD4	PD3	PD2	PD1	PD0	
PORTF	PF7	PF6	PF5	PF4	PF3	PF2	—	PF1	

Note: \* Parts of the bit functions differ in normal mode and the smart card interface mode. The bit function in smart card interface mode is enclosed in parentheses.

## 22.3 Register States in Each Operating Mode

Register Abbrevia- tion	Reset	High speed	Medium speed	Sleep	Module				Software Standby	Hardware Standby	Module
					Stop	Watch	Subactive	Subsleep			
MCR_0	Initialized	-	-	-	Initialized	Initialized	Initialized	Initialized	Initialized	Initialized	HCAN_0
GSR_0	Initialized	-	-	-	Initialized	Initialized	Initialized	Initialized	Initialized	Initialized	
BCR_0	Initialized	-	-	-	Initialized	Initialized	Initialized	Initialized	Initialized	Initialized	
MBCR_0	Initialized	-	-	-	Initialized	Initialized	Initialized	Initialized	Initialized	Initialized	
TXPR_0	Initialized	-	-	-	Initialized	Initialized	Initialized	Initialized	Initialized	Initialized	
TXCR_0	Initialized	-	-	-	Initialized	Initialized	Initialized	Initialized	Initialized	Initialized	
TXACK_0	Initialized	-	-	-	Initialized	Initialized	Initialized	Initialized	Initialized	Initialized	
ABACK_0	Initialized	-	-	-	Initialized	Initialized	Initialized	Initialized	Initialized	Initialized	
RXPR_0	Initialized	-	-	-	Initialized	Initialized	Initialized	Initialized	Initialized	Initialized	
RFPR_0	Initialized	-	-	-	Initialized	Initialized	Initialized	Initialized	Initialized	Initialized	
IRR_0	Initialized	-	-	-	Initialized	Initialized	Initialized	Initialized	Initialized	Initialized	
MBIMR_0	Initialized	-	-	-	Initialized	Initialized	Initialized	Initialized	Initialized	Initialized	
IMR_0	Initialized	-	-	-	Initialized	Initialized	Initialized	Initialized	Initialized	Initialized	
REC_0	Initialized	-	-	-	Initialized	Initialized	Initialized	Initialized	Initialized	Initialized	
TEC_0	Initialized	-	-	-	Initialized	Initialized	Initialized	Initialized	Initialized	Initialized	
UMSR_0	Initialized	-	-	-	Initialized	Initialized	Initialized	Initialized	Initialized	Initialized	
LAFML_0	Initialized	-	-	-	Initialized	Initialized	Initialized	Initialized	Initialized	Initialized	
LAFMH_0	Initialized	-	-	-	Initialized	Initialized	Initialized	Initialized	Initialized	Initialized	
MC0[1]	-	-	-	-	-	-	-	-	-	-	
MC0[2]	-	-	-	-	-	-	-	-	-	-	
MC0[3]	-	-	-	-	-	-	-	-	-	-	
MC0[4]	-	-	-	-	-	-	-	-	-	-	
MC0[5]	-	-	-	-	-	-	-	-	-	-	
MC0[6]	-	-	-	-	-	-	-	-	-	-	
MC0[7]	-	-	-	-	-	-	-	-	-	-	
MC0[8]	-	-	-	-	-	-	-	-	-	-	
MC1[1]	-	-	-	-	-	-	-	-	-	-	
MC1[2]	-	-	-	-	-	-	-	-	-	-	

Register Abbrevia- tion	Reset	High speed	Medium speed	Module			Subactive	Subsleep	Software	Hardware	Module
				Sleep	Stop	Watch			Standby	Standby	
MC1[3]	-	-	-	-	-	-	-	-	-	-	HCAN_0
MC1[4]	-	-	-	-	-	-	-	-	-	-	
MC1[5]	-	-	-	-	-	-	-	-	-	-	
MC1[6]	-	-	-	-	-	-	-	-	-	-	
MC1[7]	-	-	-	-	-	-	-	-	-	-	
MC1[8]	-	-	-	-	-	-	-	-	-	-	
MC2[1]	-	-	-	-	-	-	-	-	-	-	
MC2[2]	-	-	-	-	-	-	-	-	-	-	
MC2[3]	-	-	-	-	-	-	-	-	-	-	
MC2[4]	-	-	-	-	-	-	-	-	-	-	
MC2[5]	-	-	-	-	-	-	-	-	-	-	
MC2[6]	-	-	-	-	-	-	-	-	-	-	
MC2[7]	-	-	-	-	-	-	-	-	-	-	
MC2[8]	-	-	-	-	-	-	-	-	-	-	
MC3[1]	-	-	-	-	-	-	-	-	-	-	
MC3[2]	-	-	-	-	-	-	-	-	-	-	
MC3[3]	-	-	-	-	-	-	-	-	-	-	
MC3[4]	-	-	-	-	-	-	-	-	-	-	
MC3[5]	-	-	-	-	-	-	-	-	-	-	
MC3[6]	-	-	-	-	-	-	-	-	-	-	
MC3[7]	-	-	-	-	-	-	-	-	-	-	
MC3[8]	-	-	-	-	-	-	-	-	-	-	
MC4[1]	-	-	-	-	-	-	-	-	-	-	
MC4[2]	-	-	-	-	-	-	-	-	-	-	
MC4[3]	-	-	-	-	-	-	-	-	-	-	
MC4[4]	-	-	-	-	-	-	-	-	-	-	
MC4[5]	-	-	-	-	-	-	-	-	-	-	
MC4[6]	-	-	-	-	-	-	-	-	-	-	
MC4[7]	-	-	-	-	-	-	-	-	-	-	
MC4[8]	-	-	-	-	-	-	-	-	-	-	

Register Abbrevia- tion	Reset	High speed	Medium speed	Module			Subactive	Subsleep	Software	Hardware	Module
				Sleep	Stop	Watch			Standby	Standby	
MC5[1]	-	-	-	-	-	-	-	-	-	-	HCAN_0
MC5[2]	-	-	-	-	-	-	-	-	-	-	
MC5[3]	-	-	-	-	-	-	-	-	-	-	
MC5[4]	-	-	-	-	-	-	-	-	-	-	
MC5[5]	-	-	-	-	-	-	-	-	-	-	
MC5[6]	-	-	-	-	-	-	-	-	-	-	
MC5[7]	-	-	-	-	-	-	-	-	-	-	
MC5[8]	-	-	-	-	-	-	-	-	-	-	
MC6[1]	-	-	-	-	-	-	-	-	-	-	
MC6[2]	-	-	-	-	-	-	-	-	-	-	
MC6[3]	-	-	-	-	-	-	-	-	-	-	
MC6[4]	-	-	-	-	-	-	-	-	-	-	
MC6[5]	-	-	-	-	-	-	-	-	-	-	
MC6[6]	-	-	-	-	-	-	-	-	-	-	
MC6[7]	-	-	-	-	-	-	-	-	-	-	
MC6[8]	-	-	-	-	-	-	-	-	-	-	
MC7[1]	-	-	-	-	-	-	-	-	-	-	
MC7[2]	-	-	-	-	-	-	-	-	-	-	
MC7[3]	-	-	-	-	-	-	-	-	-	-	
MC7[4]	-	-	-	-	-	-	-	-	-	-	
MC7[5]	-	-	-	-	-	-	-	-	-	-	
MC7[6]	-	-	-	-	-	-	-	-	-	-	
MC7[7]	-	-	-	-	-	-	-	-	-	-	
MC7[8]	-	-	-	-	-	-	-	-	-	-	
MC8[1]	-	-	-	-	-	-	-	-	-	-	
MC8[2]	-	-	-	-	-	-	-	-	-	-	
MC8[3]	-	-	-	-	-	-	-	-	-	-	
MC8[4]	-	-	-	-	-	-	-	-	-	-	
MC8[5]	-	-	-	-	-	-	-	-	-	-	
MC8[6]	-	-	-	-	-	-	-	-	-	-	



Register Abbrevia- tion	Reset	High speed	Medium speed	Module			Subactive	Subsleep	Software	Hardware	Module
				Sleep	Stop	Watch			Standby	Standby	
MC8[7]	-	-	-	-	-	-	-	-	-	-	HCAN_0
MC8[8]	-	-	-	-	-	-	-	-	-	-	
MC9[1]	-	-	-	-	-	-	-	-	-	-	
MC9[2]	-	-	-	-	-	-	-	-	-	-	
MC9[3]	-	-	-	-	-	-	-	-	-	-	
MC9[4]	-	-	-	-	-	-	-	-	-	-	
MC9[5]	-	-	-	-	-	-	-	-	-	-	
MC9[6]	-	-	-	-	-	-	-	-	-	-	
MC9[7]	-	-	-	-	-	-	-	-	-	-	
MC9[8]	-	-	-	-	-	-	-	-	-	-	
MC10[1]	-	-	-	-	-	-	-	-	-	-	
MC10[2]	-	-	-	-	-	-	-	-	-	-	
MC10[3]	-	-	-	-	-	-	-	-	-	-	
MC10[4]	-	-	-	-	-	-	-	-	-	-	
MC10[5]	-	-	-	-	-	-	-	-	-	-	
MC10[6]	-	-	-	-	-	-	-	-	-	-	
MC10[7]	-	-	-	-	-	-	-	-	-	-	
MC10[8]	-	-	-	-	-	-	-	-	-	-	
MC11[1]	-	-	-	-	-	-	-	-	-	-	
MC11[2]	-	-	-	-	-	-	-	-	-	-	
MC11[3]	-	-	-	-	-	-	-	-	-	-	
MC11[4]	-	-	-	-	-	-	-	-	-	-	
MC11[5]	-	-	-	-	-	-	-	-	-	-	
MC11[6]	-	-	-	-	-	-	-	-	-	-	
MC11[7]	-	-	-	-	-	-	-	-	-	-	
MC11[8]	-	-	-	-	-	-	-	-	-	-	
MC12[1]	-	-	-	-	-	-	-	-	-	-	
MC12[2]	-	-	-	-	-	-	-	-	-	-	
MC12[3]	-	-	-	-	-	-	-	-	-	-	
MC12[4]	-	-	-	-	-	-	-	-	-	-	

Register Abbrevia- tion	Reset	High speed	Medium speed	Module			Subactive	Subsleep	Software	Hardware	Module
				Sleep	Stop	Watch			Standby	Standby	
MC12[5]	-	-	-	-	-	-	-	-	-	-	HCAN_0
MC12[6]	-	-	-	-	-	-	-	-	-	-	
MC12[7]	-	-	-	-	-	-	-	-	-	-	
MC12[8]	-	-	-	-	-	-	-	-	-	-	
MC13[1]	-	-	-	-	-	-	-	-	-	-	
MC13[2]	-	-	-	-	-	-	-	-	-	-	
MC13[3]	-	-	-	-	-	-	-	-	-	-	
MC13[4]	-	-	-	-	-	-	-	-	-	-	
MC13[5]	-	-	-	-	-	-	-	-	-	-	
MC13[6]	-	-	-	-	-	-	-	-	-	-	
MC13[7]	-	-	-	-	-	-	-	-	-	-	
MC13[8]	-	-	-	-	-	-	-	-	-	-	
MC14[1]	-	-	-	-	-	-	-	-	-	-	
MC14[2]	-	-	-	-	-	-	-	-	-	-	
MC14[3]	-	-	-	-	-	-	-	-	-	-	
MC14[4]	-	-	-	-	-	-	-	-	-	-	
MC14[5]	-	-	-	-	-	-	-	-	-	-	
MC14[6]	-	-	-	-	-	-	-	-	-	-	
MC14[7]	-	-	-	-	-	-	-	-	-	-	
MC14[8]	-	-	-	-	-	-	-	-	-	-	
MC15[1]	-	-	-	-	-	-	-	-	-	-	
MC15[2]	-	-	-	-	-	-	-	-	-	-	
MC15[3]	-	-	-	-	-	-	-	-	-	-	
MC15[4]	-	-	-	-	-	-	-	-	-	-	
MC15[5]	-	-	-	-	-	-	-	-	-	-	
MC15[6]	-	-	-	-	-	-	-	-	-	-	
MC15[7]	-	-	-	-	-	-	-	-	-	-	
MC15[8]	-	-	-	-	-	-	-	-	-	-	
MD0[1]	-	-	-	-	-	-	-	-	-	-	
MD0[2]	-	-	-	-	-	-	-	-	-	-	

Register Abbrevia- tion	Reset	High speed	Medium speed	Module			Subactive	Subsleep	Software	Hardware	Module
				Sleep	Stop	Watch			Standby	Standby	
MD0[3]	-	-	-	-	-	-	-	-	-	-	HCAN_0
MD0[4]	-	-	-	-	-	-	-	-	-	-	
MD0[5]	-	-	-	-	-	-	-	-	-	-	
MD0[6]	-	-	-	-	-	-	-	-	-	-	
MD0[7]	-	-	-	-	-	-	-	-	-	-	
MD0[8]	-	-	-	-	-	-	-	-	-	-	
MD1[1]	-	-	-	-	-	-	-	-	-	-	
MD1[2]	-	-	-	-	-	-	-	-	-	-	
MD1[3]	-	-	-	-	-	-	-	-	-	-	
MD1[4]	-	-	-	-	-	-	-	-	-	-	
MD1[5]	-	-	-	-	-	-	-	-	-	-	
MD1[6]	-	-	-	-	-	-	-	-	-	-	
MD1[7]	-	-	-	-	-	-	-	-	-	-	
MD1[8]	-	-	-	-	-	-	-	-	-	-	
MD2[1]	-	-	-	-	-	-	-	-	-	-	
MD2[2]	-	-	-	-	-	-	-	-	-	-	
MD2[3]	-	-	-	-	-	-	-	-	-	-	
MD2[4]	-	-	-	-	-	-	-	-	-	-	
MD2[5]	-	-	-	-	-	-	-	-	-	-	
MD2[6]	-	-	-	-	-	-	-	-	-	-	
MD2[7]	-	-	-	-	-	-	-	-	-	-	
MD2[8]	-	-	-	-	-	-	-	-	-	-	
MD3[1]	-	-	-	-	-	-	-	-	-	-	
MD3[2]	-	-	-	-	-	-	-	-	-	-	
MD3[3]	-	-	-	-	-	-	-	-	-	-	
MD3[4]	-	-	-	-	-	-	-	-	-	-	
MD3[5]	-	-	-	-	-	-	-	-	-	-	
MD3[6]	-	-	-	-	-	-	-	-	-	-	
MD3[7]	-	-	-	-	-	-	-	-	-	-	
MD3[8]	-	-	-	-	-	-	-	-	-	-	

Register Abbrevia- tion	Reset	High speed	Medium speed	Module			Subactive	Subsleep	Software	Hardware	Module
				Sleep	Stop	Watch			Standby	Standby	
MD4[1]	-	-	-	-	-	-	-	-	-	-	HCAN_0
MD4[2]	-	-	-	-	-	-	-	-	-	-	
MD4[3]	-	-	-	-	-	-	-	-	-	-	
MD4[4]	-	-	-	-	-	-	-	-	-	-	
MD4[5]	-	-	-	-	-	-	-	-	-	-	
MD4[6]	-	-	-	-	-	-	-	-	-	-	
MD4[7]	-	-	-	-	-	-	-	-	-	-	
MD4[8]	-	-	-	-	-	-	-	-	-	-	
MD5[1]	-	-	-	-	-	-	-	-	-	-	
MD5[2]	-	-	-	-	-	-	-	-	-	-	
MD5[3]	-	-	-	-	-	-	-	-	-	-	
MD5[4]	-	-	-	-	-	-	-	-	-	-	
MD5[5]	-	-	-	-	-	-	-	-	-	-	
MD5[6]	-	-	-	-	-	-	-	-	-	-	
MD5[7]	-	-	-	-	-	-	-	-	-	-	
MD5[8]	-	-	-	-	-	-	-	-	-	-	
MD6[1]	-	-	-	-	-	-	-	-	-	-	
MD6[2]	-	-	-	-	-	-	-	-	-	-	
MD6[3]	-	-	-	-	-	-	-	-	-	-	
MD6[4]	-	-	-	-	-	-	-	-	-	-	
MD6[5]	-	-	-	-	-	-	-	-	-	-	
MD6[6]	-	-	-	-	-	-	-	-	-	-	
MD6[7]	-	-	-	-	-	-	-	-	-	-	
MD6[8]	-	-	-	-	-	-	-	-	-	-	
MD7[1]	-	-	-	-	-	-	-	-	-	-	
MD7[2]	-	-	-	-	-	-	-	-	-	-	
MD7[3]	-	-	-	-	-	-	-	-	-	-	
MD7[4]	-	-	-	-	-	-	-	-	-	-	
MD7[5]	-	-	-	-	-	-	-	-	-	-	
MD7[6]	-	-	-	-	-	-	-	-	-	-	

Register Abbrevia- tion	Reset	High speed	Medium speed	Module			Subactive	Subsleep	Software	Hardware	Module
				Sleep	Stop	Watch			Standby	Standby	
MD7[7]	-	-	-	-	-	-	-	-	-	-	HCAN_0
MD7[8]	-	-	-	-	-	-	-	-	-	-	
MD8[1]	-	-	-	-	-	-	-	-	-	-	
MD8[2]	-	-	-	-	-	-	-	-	-	-	
MD8[3]	-	-	-	-	-	-	-	-	-	-	
MD8[4]	-	-	-	-	-	-	-	-	-	-	
MD8[5]	-	-	-	-	-	-	-	-	-	-	
MD8[6]	-	-	-	-	-	-	-	-	-	-	
MD8[7]	-	-	-	-	-	-	-	-	-	-	
MD8[8]	-	-	-	-	-	-	-	-	-	-	
MD9[1]	-	-	-	-	-	-	-	-	-	-	
MD9[2]	-	-	-	-	-	-	-	-	-	-	
MD9[3]	-	-	-	-	-	-	-	-	-	-	
MD9[4]	-	-	-	-	-	-	-	-	-	-	
MD9[5]	-	-	-	-	-	-	-	-	-	-	
MD9[6]	-	-	-	-	-	-	-	-	-	-	
MD9[7]	-	-	-	-	-	-	-	-	-	-	
MD9[8]	-	-	-	-	-	-	-	-	-	-	
MD10[1]	-	-	-	-	-	-	-	-	-	-	
MD10[2]	-	-	-	-	-	-	-	-	-	-	
MD10[3]	-	-	-	-	-	-	-	-	-	-	
MD10[4]	-	-	-	-	-	-	-	-	-	-	
MD10[5]	-	-	-	-	-	-	-	-	-	-	
MD10[6]	-	-	-	-	-	-	-	-	-	-	
MD10[7]	-	-	-	-	-	-	-	-	-	-	
MD10[8]	-	-	-	-	-	-	-	-	-	-	
MD11[1]	-	-	-	-	-	-	-	-	-	-	
MD11[2]	-	-	-	-	-	-	-	-	-	-	
MD11[3]	-	-	-	-	-	-	-	-	-	-	
MD11[4]	-	-	-	-	-	-	-	-	-	-	

Register Abbrevia- tion	Reset	High speed	Medium speed	Module			Subactive	Subsleep	Software	Hardware	Module
				Sleep	Stop	Watch			Standby	Standby	
MD11[5]	-	-	-	-	-	-	-	-	-	-	HCAN_0
MD11[6]	-	-	-	-	-	-	-	-	-	-	
MD11[7]	-	-	-	-	-	-	-	-	-	-	
MD11[8]	-	-	-	-	-	-	-	-	-	-	
MD12[1]	-	-	-	-	-	-	-	-	-	-	
MD12[2]	-	-	-	-	-	-	-	-	-	-	
MD12[3]	-	-	-	-	-	-	-	-	-	-	
MD12[4]	-	-	-	-	-	-	-	-	-	-	
MD12[5]	-	-	-	-	-	-	-	-	-	-	
MD12[6]	-	-	-	-	-	-	-	-	-	-	
MD12[7]	-	-	-	-	-	-	-	-	-	-	
MD12[8]	-	-	-	-	-	-	-	-	-	-	
MD13[1]	-	-	-	-	-	-	-	-	-	-	
MD13[2]	-	-	-	-	-	-	-	-	-	-	
MD13[3]	-	-	-	-	-	-	-	-	-	-	
MD13[4]	-	-	-	-	-	-	-	-	-	-	
MD13[5]	-	-	-	-	-	-	-	-	-	-	
MD13[6]	-	-	-	-	-	-	-	-	-	-	
MD13[7]	-	-	-	-	-	-	-	-	-	-	
MD13[8]	-	-	-	-	-	-	-	-	-	-	
MD14[1]	-	-	-	-	-	-	-	-	-	-	
MD14[2]	-	-	-	-	-	-	-	-	-	-	
MD14[3]	-	-	-	-	-	-	-	-	-	-	
MD14[4]	-	-	-	-	-	-	-	-	-	-	
MD14[5]	-	-	-	-	-	-	-	-	-	-	
MD14[6]	-	-	-	-	-	-	-	-	-	-	
MD14[7]	-	-	-	-	-	-	-	-	-	-	
MD14[8]	-	-	-	-	-	-	-	-	-	-	
MD15[1]	-	-	-	-	-	-	-	-	-	-	
MD15[2]	-	-	-	-	-	-	-	-	-	-	

Register Abbrevia- tion	Reset	High speed	Medium speed	Sleep	Module			Software Standby	Hardware Standby	Module
					Stop	Watch	Subactive			
MD15[3]	-	-	-	-	-	-	-	-	-	HCAN_0
MD15[4]	-	-	-	-	-	-	-	-	-	
MD15[5]	-	-	-	-	-	-	-	-	-	
MD15[6]	-	-	-	-	-	-	-	-	-	
MD15[7]	-	-	-	-	-	-	-	-	-	
MD15[8]	-	-	-	-	-	-	-	-	-	
HCANMON_0	Initialized	-	-	-	Initialized	Initialized	Initialized	Initialized	Initialized	
MCR_1	Initialized	-	-	-	Initialized	Initialized	Initialized	Initialized	Initialized	HCAN_1
GSR_1	Initialized	-	-	-	Initialized	Initialized	Initialized	Initialized	Initialized	
BCR_1	Initialized	-	-	-	Initialized	Initialized	Initialized	Initialized	Initialized	
MBCR_1	Initialized	-	-	-	Initialized	Initialized	Initialized	Initialized	Initialized	
TXPR_1	Initialized	-	-	-	Initialized	Initialized	Initialized	Initialized	Initialized	
TXCR_1	Initialized	-	-	-	Initialized	Initialized	Initialized	Initialized	Initialized	
TXACK_1	Initialized	-	-	-	Initialized	Initialized	Initialized	Initialized	Initialized	
ABACK_1	Initialized	-	-	-	Initialized	Initialized	Initialized	Initialized	Initialized	
RXPR_1	Initialized	-	-	-	Initialized	Initialized	Initialized	Initialized	Initialized	
RFPR_1	Initialized	-	-	-	Initialized	Initialized	Initialized	Initialized	Initialized	
IRR_1	Initialized	-	-	-	Initialized	Initialized	Initialized	Initialized	Initialized	
MBIMR_1	Initialized	-	-	-	Initialized	Initialized	Initialized	Initialized	Initialized	
IMR_1	Initialized	-	-	-	Initialized	Initialized	Initialized	Initialized	Initialized	
REC_1	Initialized	-	-	-	Initialized	Initialized	Initialized	Initialized	Initialized	
TEC_1	Initialized	-	-	-	Initialized	Initialized	Initialized	Initialized	Initialized	
UMSR_1	Initialized	-	-	-	Initialized	Initialized	Initialized	Initialized	Initialized	
LAFML_1	Initialized	-	-	-	Initialized	Initialized	Initialized	Initialized	Initialized	
LAFMH_1	Initialized	-	-	-	Initialized	Initialized	Initialized	Initialized	Initialized	
MC0[1]	-	-	-	-	-	-	-	-	-	
MC0[2]	-	-	-	-	-	-	-	-	-	
MC0[3]	-	-	-	-	-	-	-	-	-	
MC0[4]	-	-	-	-	-	-	-	-	-	
MC0[5]	-	-	-	-	-	-	-	-	-	

Register Abbrevia- tion	Reset	High speed	Medium speed	Module			Software	Hardware	Module	
				Sleep	Stop	Watch	Subactive	Subsleep		Standby
MC0[6]	-	-	-	-	-	-	-	-	-	HCAN_1
MC0[7]	-	-	-	-	-	-	-	-	-	
MC0[8]	-	-	-	-	-	-	-	-	-	
MC1[1]	-	-	-	-	-	-	-	-	-	
MC1[2]	-	-	-	-	-	-	-	-	-	
MC1[3]	-	-	-	-	-	-	-	-	-	
MC1[4]	-	-	-	-	-	-	-	-	-	
MC1[5]	-	-	-	-	-	-	-	-	-	
MC1[6]	-	-	-	-	-	-	-	-	-	
MC1[7]	-	-	-	-	-	-	-	-	-	
MC1[8]	-	-	-	-	-	-	-	-	-	
MC2[1]	-	-	-	-	-	-	-	-	-	
MC2[2]	-	-	-	-	-	-	-	-	-	
MC2[3]	-	-	-	-	-	-	-	-	-	
MC2[4]	-	-	-	-	-	-	-	-	-	
MC2[5]	-	-	-	-	-	-	-	-	-	
MC2[6]	-	-	-	-	-	-	-	-	-	
MC2[7]	-	-	-	-	-	-	-	-	-	
MC2[8]	-	-	-	-	-	-	-	-	-	
MC3[1]	-	-	-	-	-	-	-	-	-	
MC3[2]	-	-	-	-	-	-	-	-	-	
MC3[3]	-	-	-	-	-	-	-	-	-	
MC3[4]	-	-	-	-	-	-	-	-	-	
MC3[5]	-	-	-	-	-	-	-	-	-	
MC3[6]	-	-	-	-	-	-	-	-	-	
MC3[7]	-	-	-	-	-	-	-	-	-	
MC3[8]	-	-	-	-	-	-	-	-	-	
MC4[1]	-	-	-	-	-	-	-	-	-	
MC4[2]	-	-	-	-	-	-	-	-	-	
MC4[3]	-	-	-	-	-	-	-	-	-	



Register Abbrevia- tion	Reset	High speed	Medium speed	Module			Subactive	Subsleep	Software	Hardware	Module
				Sleep	Stop	Watch			Standby	Standby	
MC4[4]	-	-	-	-	-	-	-	-	-	-	HCAN_1
MC4[5]	-	-	-	-	-	-	-	-	-	-	
MC4[6]	-	-	-	-	-	-	-	-	-	-	
MC4[7]	-	-	-	-	-	-	-	-	-	-	
MC4[8]	-	-	-	-	-	-	-	-	-	-	
MC5[1]	-	-	-	-	-	-	-	-	-	-	
MC5[2]	-	-	-	-	-	-	-	-	-	-	
MC5[3]	-	-	-	-	-	-	-	-	-	-	
MC5[4]	-	-	-	-	-	-	-	-	-	-	
MC5[5]	-	-	-	-	-	-	-	-	-	-	
MC5[6]	-	-	-	-	-	-	-	-	-	-	
MC5[7]	-	-	-	-	-	-	-	-	-	-	
MC5[8]	-	-	-	-	-	-	-	-	-	-	
MC6[1]	-	-	-	-	-	-	-	-	-	-	
MC6[2]	-	-	-	-	-	-	-	-	-	-	
MC6[3]	-	-	-	-	-	-	-	-	-	-	
MC6[4]	-	-	-	-	-	-	-	-	-	-	
MC6[5]	-	-	-	-	-	-	-	-	-	-	
MC6[6]	-	-	-	-	-	-	-	-	-	-	
MC6[7]	-	-	-	-	-	-	-	-	-	-	
MC6[8]	-	-	-	-	-	-	-	-	-	-	
MC7[1]	-	-	-	-	-	-	-	-	-	-	
MC7[2]	-	-	-	-	-	-	-	-	-	-	
MC7[3]	-	-	-	-	-	-	-	-	-	-	
MC7[4]	-	-	-	-	-	-	-	-	-	-	
MC7[5]	-	-	-	-	-	-	-	-	-	-	
MC7[6]	-	-	-	-	-	-	-	-	-	-	
MC7[7]	-	-	-	-	-	-	-	-	-	-	
MC7[8]	-	-	-	-	-	-	-	-	-	-	
MC8[1]	-	-	-	-	-	-	-	-	-	-	

Register Abbrevia- tion	Reset	High speed	Medium speed	Module			Subactive	Subsleep	Software	Hardware	Module
				Sleep	Stop	Watch			Standby	Standby	
MC8[2]	-	-	-	-	-	-	-	-	-	-	HCAN_1
MC8[3]	-	-	-	-	-	-	-	-	-	-	
MC8[4]	-	-	-	-	-	-	-	-	-	-	
MC8[5]	-	-	-	-	-	-	-	-	-	-	
MC8[6]	-	-	-	-	-	-	-	-	-	-	
MC8[7]	-	-	-	-	-	-	-	-	-	-	
MC8[8]	-	-	-	-	-	-	-	-	-	-	
MC9[1]	-	-	-	-	-	-	-	-	-	-	
MC9[2]	-	-	-	-	-	-	-	-	-	-	
MC9[3]	-	-	-	-	-	-	-	-	-	-	
MC9[4]	-	-	-	-	-	-	-	-	-	-	
MC9[5]	-	-	-	-	-	-	-	-	-	-	
MC9[6]	-	-	-	-	-	-	-	-	-	-	
MC9[7]	-	-	-	-	-	-	-	-	-	-	
MC9[8]	-	-	-	-	-	-	-	-	-	-	
MC10[1]	-	-	-	-	-	-	-	-	-	-	
MC10[2]	-	-	-	-	-	-	-	-	-	-	
MC10[3]	-	-	-	-	-	-	-	-	-	-	
MC10[4]	-	-	-	-	-	-	-	-	-	-	
MC10[5]	-	-	-	-	-	-	-	-	-	-	
MC10[6]	-	-	-	-	-	-	-	-	-	-	
MC10[7]	-	-	-	-	-	-	-	-	-	-	
MC10[8]	-	-	-	-	-	-	-	-	-	-	
MC11[1]	-	-	-	-	-	-	-	-	-	-	
MC11[2]	-	-	-	-	-	-	-	-	-	-	
MC11[3]	-	-	-	-	-	-	-	-	-	-	
MC11[4]	-	-	-	-	-	-	-	-	-	-	
MC11[5]	-	-	-	-	-	-	-	-	-	-	
MC11[6]	-	-	-	-	-	-	-	-	-	-	
MC11[7]	-	-	-	-	-	-	-	-	-	-	

Register Abbrevia- tion	Reset	High speed	Medium speed	Module			Subactive	Subsleep	Software	Hardware	Module
				Sleep	Stop	Watch			Standby	Standby	
MC11[8]	-	-	-	-	-	-	-	-	-	-	HCAN_1
MC12[1]	-	-	-	-	-	-	-	-	-	-	
MC12[2]	-	-	-	-	-	-	-	-	-	-	
MC12[3]	-	-	-	-	-	-	-	-	-	-	
MC12[4]	-	-	-	-	-	-	-	-	-	-	
MC12[5]	-	-	-	-	-	-	-	-	-	-	
MC12[6]	-	-	-	-	-	-	-	-	-	-	
MC12[7]	-	-	-	-	-	-	-	-	-	-	
MC12[8]	-	-	-	-	-	-	-	-	-	-	
MC13[1]	-	-	-	-	-	-	-	-	-	-	
MC13[2]	-	-	-	-	-	-	-	-	-	-	
MC13[3]	-	-	-	-	-	-	-	-	-	-	
MC13[4]	-	-	-	-	-	-	-	-	-	-	
MC13[5]	-	-	-	-	-	-	-	-	-	-	
MC13[6]	-	-	-	-	-	-	-	-	-	-	
MC13[7]	-	-	-	-	-	-	-	-	-	-	
MC13[8]	-	-	-	-	-	-	-	-	-	-	
MC14[1]	-	-	-	-	-	-	-	-	-	-	
MC14[2]	-	-	-	-	-	-	-	-	-	-	
MC14[3]	-	-	-	-	-	-	-	-	-	-	
MC14[4]	-	-	-	-	-	-	-	-	-	-	
MC14[5]	-	-	-	-	-	-	-	-	-	-	
MC14[6]	-	-	-	-	-	-	-	-	-	-	
MC14[7]	-	-	-	-	-	-	-	-	-	-	
MC14[8]	-	-	-	-	-	-	-	-	-	-	
MC15[1]	-	-	-	-	-	-	-	-	-	-	
MC15[2]	-	-	-	-	-	-	-	-	-	-	
MC15[3]	-	-	-	-	-	-	-	-	-	-	
MC15[4]	-	-	-	-	-	-	-	-	-	-	
MC15[5]	-	-	-	-	-	-	-	-	-	-	

Register Abbrevia- tion	Reset	High speed	Medium speed	Module			Subactive	Subsleep	Software	Hardware	Module
				Sleep	Stop	Watch			Standby	Standby	
MC15[6]	-	-	-	-	-	-	-	-	-	-	HCAN_1
MC15[7]	-	-	-	-	-	-	-	-	-	-	
MC15[8]	-	-	-	-	-	-	-	-	-	-	
MD0[1]	-	-	-	-	-	-	-	-	-	-	
MD0[2]	-	-	-	-	-	-	-	-	-	-	
MD0[3]	-	-	-	-	-	-	-	-	-	-	
MD0[4]	-	-	-	-	-	-	-	-	-	-	
MD0[5]	-	-	-	-	-	-	-	-	-	-	
MD0[6]	-	-	-	-	-	-	-	-	-	-	
MD0[7]	-	-	-	-	-	-	-	-	-	-	
MD0[8]	-	-	-	-	-	-	-	-	-	-	
MD1[1]	-	-	-	-	-	-	-	-	-	-	
MD1[2]	-	-	-	-	-	-	-	-	-	-	
MD1[3]	-	-	-	-	-	-	-	-	-	-	
MD1[4]	-	-	-	-	-	-	-	-	-	-	
MD1[5]	-	-	-	-	-	-	-	-	-	-	
MD1[6]	-	-	-	-	-	-	-	-	-	-	
MD1[7]	-	-	-	-	-	-	-	-	-	-	
MD1[8]	-	-	-	-	-	-	-	-	-	-	
MD2[1]	-	-	-	-	-	-	-	-	-	-	
MD2[2]	-	-	-	-	-	-	-	-	-	-	
MD2[3]	-	-	-	-	-	-	-	-	-	-	
MD2[4]	-	-	-	-	-	-	-	-	-	-	
MD2[5]	-	-	-	-	-	-	-	-	-	-	
MD2[6]	-	-	-	-	-	-	-	-	-	-	
MD2[7]	-	-	-	-	-	-	-	-	-	-	
MD2[8]	-	-	-	-	-	-	-	-	-	-	
MD3[1]	-	-	-	-	-	-	-	-	-	-	
MD3[2]	-	-	-	-	-	-	-	-	-	-	
MD3[3]	-	-	-	-	-	-	-	-	-	-	

Register Abbrevia- tion	Reset	High speed	Medium speed	Module			Subactive	Subsleep	Software	Hardware	Module
				Sleep	Stop	Watch			Standby	Standby	
MD3[4]	-	-	-	-	-	-	-	-	-	-	HCAN_1
MD3[5]	-	-	-	-	-	-	-	-	-	-	
MD3[6]	-	-	-	-	-	-	-	-	-	-	
MD3[7]	-	-	-	-	-	-	-	-	-	-	
MD3[8]	-	-	-	-	-	-	-	-	-	-	
MD4[1]	-	-	-	-	-	-	-	-	-	-	
MD4[2]	-	-	-	-	-	-	-	-	-	-	
MD4[3]	-	-	-	-	-	-	-	-	-	-	
MD4[4]	-	-	-	-	-	-	-	-	-	-	
MD4[5]	-	-	-	-	-	-	-	-	-	-	
MD4[6]	-	-	-	-	-	-	-	-	-	-	
MD4[7]	-	-	-	-	-	-	-	-	-	-	
MD4[8]	-	-	-	-	-	-	-	-	-	-	
MD5[1]	-	-	-	-	-	-	-	-	-	-	
MD5[2]	-	-	-	-	-	-	-	-	-	-	
MD5[3]	-	-	-	-	-	-	-	-	-	-	
MD5[4]	-	-	-	-	-	-	-	-	-	-	
MD5[5]	-	-	-	-	-	-	-	-	-	-	
MD5[6]	-	-	-	-	-	-	-	-	-	-	
MD5[7]	-	-	-	-	-	-	-	-	-	-	
MD5[8]	-	-	-	-	-	-	-	-	-	-	
MD6[1]	-	-	-	-	-	-	-	-	-	-	
MD6[2]	-	-	-	-	-	-	-	-	-	-	
MD6[3]	-	-	-	-	-	-	-	-	-	-	
MD6[4]	-	-	-	-	-	-	-	-	-	-	
MD6[5]	-	-	-	-	-	-	-	-	-	-	
MD6[6]	-	-	-	-	-	-	-	-	-	-	
MD6[7]	-	-	-	-	-	-	-	-	-	-	
MD6[8]	-	-	-	-	-	-	-	-	-	-	
MD7[1]	-	-	-	-	-	-	-	-	-	-	

Register Abbrevia- tion	Reset	High speed	Medium speed	Module			Subactive	Subsleep	Software	Hardware	Module
				Sleep	Stop	Watch			Standby	Standby	
MD7[2]	-	-	-	-	-	-	-	-	-	-	HCAN_1
MD7[3]	-	-	-	-	-	-	-	-	-	-	
MD7[4]	-	-	-	-	-	-	-	-	-	-	
MD7[5]	-	-	-	-	-	-	-	-	-	-	
MD7[6]	-	-	-	-	-	-	-	-	-	-	
MD7[7]	-	-	-	-	-	-	-	-	-	-	
MD7[8]	-	-	-	-	-	-	-	-	-	-	
MD8[1]	-	-	-	-	-	-	-	-	-	-	
MD8[2]	-	-	-	-	-	-	-	-	-	-	
MD8[3]	-	-	-	-	-	-	-	-	-	-	
MD8[4]	-	-	-	-	-	-	-	-	-	-	
MD8[5]	-	-	-	-	-	-	-	-	-	-	
MD8[6]	-	-	-	-	-	-	-	-	-	-	
MD8[7]	-	-	-	-	-	-	-	-	-	-	
MD8[8]	-	-	-	-	-	-	-	-	-	-	
MD9[1]	-	-	-	-	-	-	-	-	-	-	
MD9[2]	-	-	-	-	-	-	-	-	-	-	
MD9[3]	-	-	-	-	-	-	-	-	-	-	
MD9[4]	-	-	-	-	-	-	-	-	-	-	
MD9[5]	-	-	-	-	-	-	-	-	-	-	
MD9[6]	-	-	-	-	-	-	-	-	-	-	
MD9[7]	-	-	-	-	-	-	-	-	-	-	
MD9[8]	-	-	-	-	-	-	-	-	-	-	
MD10[1]	-	-	-	-	-	-	-	-	-	-	
MD10[2]	-	-	-	-	-	-	-	-	-	-	
MD10[3]	-	-	-	-	-	-	-	-	-	-	
MD10[4]	-	-	-	-	-	-	-	-	-	-	
MD10[5]	-	-	-	-	-	-	-	-	-	-	
MD10[6]	-	-	-	-	-	-	-	-	-	-	
MD10[7]	-	-	-	-	-	-	-	-	-	-	

Register Abbrevia- tion	Reset	High speed	Medium speed	Module			Subactive	Subsleep	Software	Hardware	Module
				Sleep	Stop	Watch			Standby	Standby	
MD10[8]	-	-	-	-	-	-	-	-	-	-	HCAN_1
MD11[1]	-	-	-	-	-	-	-	-	-	-	
MD11[2]	-	-	-	-	-	-	-	-	-	-	
MD11[3]	-	-	-	-	-	-	-	-	-	-	
MD11[4]	-	-	-	-	-	-	-	-	-	-	
MD11[5]	-	-	-	-	-	-	-	-	-	-	
MD11[6]	-	-	-	-	-	-	-	-	-	-	
MD11[7]	-	-	-	-	-	-	-	-	-	-	
MD11[8]	-	-	-	-	-	-	-	-	-	-	
MD12[1]	-	-	-	-	-	-	-	-	-	-	
MD12[2]	-	-	-	-	-	-	-	-	-	-	
MD12[3]	-	-	-	-	-	-	-	-	-	-	
MD12[4]	-	-	-	-	-	-	-	-	-	-	
MD12[5]	-	-	-	-	-	-	-	-	-	-	
MD12[6]	-	-	-	-	-	-	-	-	-	-	
MD12[7]	-	-	-	-	-	-	-	-	-	-	
MD12[8]	-	-	-	-	-	-	-	-	-	-	
MD13[1]	-	-	-	-	-	-	-	-	-	-	
MD13[2]	-	-	-	-	-	-	-	-	-	-	
MD13[3]	-	-	-	-	-	-	-	-	-	-	
MD13[4]	-	-	-	-	-	-	-	-	-	-	
MD13[5]	-	-	-	-	-	-	-	-	-	-	
MD13[6]	-	-	-	-	-	-	-	-	-	-	
MD13[7]	-	-	-	-	-	-	-	-	-	-	
MD13[8]	-	-	-	-	-	-	-	-	-	-	
MD14[1]	-	-	-	-	-	-	-	-	-	-	
MD14[2]	-	-	-	-	-	-	-	-	-	-	
MD14[3]	-	-	-	-	-	-	-	-	-	-	
MD14[4]	-	-	-	-	-	-	-	-	-	-	
MD14[5]	-	-	-	-	-	-	-	-	-	-	

Register Abbrevia- tion	Reset	High speed	Medium speed	Sleep	Module				Software	Hardware	Module
					Stop	Watch	Subactive	Subsleep	Standby	Standby	
MD14[6]	-	-	-	-	-	-	-	-	-	-	HCAN_1
MD14[7]	-	-	-	-	-	-	-	-	-	-	
MD14[8]	-	-	-	-	-	-	-	-	-	-	
MD15[1]	-	-	-	-	-	-	-	-	-	-	
MD15[2]	-	-	-	-	-	-	-	-	-	-	
MD15[3]	-	-	-	-	-	-	-	-	-	-	
MD15[4]	-	-	-	-	-	-	-	-	-	-	
MD15[5]	-	-	-	-	-	-	-	-	-	-	
MD15[6]	-	-	-	-	-	-	-	-	-	-	
MD15[7]	-	-	-	-	-	-	-	-	-	-	
MD15[8]	-	-	-	-	-	-	-	-	-	-	
HCANMON_1	Initialized	-	-	-	Initialized	Initialized	Initialized	Initialized	Initialized	Initialized	PWM_1
PWCR_1	Initialized	-	-	-	Initialized	Initialized	Initialized	Initialized	Initialized	Initialized	
PWOCR_1	Initialized	-	-	-	Initialized	Initialized	Initialized	Initialized	Initialized	Initialized	
PWPR_1	Initialized	-	-	-	Initialized	Initialized	Initialized	Initialized	Initialized	Initialized	
PWCYR_1	Initialized	-	-	-	Initialized	Initialized	Initialized	Initialized	Initialized	Initialized	
PWBFR_1A	Initialized	-	-	-	Initialized	Initialized	Initialized	Initialized	Initialized	Initialized	
PWBFR_1C	Initialized	-	-	-	Initialized	Initialized	Initialized	Initialized	Initialized	Initialized	
PWBFR_1E	Initialized	-	-	-	Initialized	Initialized	Initialized	Initialized	Initialized	Initialized	
PWBFR_1G	Initialized	-	-	-	Initialized	Initialized	Initialized	Initialized	Initialized	Initialized	
PWCR_2	Initialized	-	-	-	Initialized	Initialized	Initialized	Initialized	Initialized	Initialized	
PWOCR_2	Initialized	-	-	-	Initialized	Initialized	Initialized	Initialized	Initialized	Initialized	PWM_2
PWPR_2	Initialized	-	-	-	Initialized	Initialized	Initialized	Initialized	Initialized	Initialized	
PWCYR_2	Initialized	-	-	-	Initialized	Initialized	Initialized	Initialized	Initialized	Initialized	
PWBFR_2A	Initialized	-	-	-	Initialized	Initialized	Initialized	Initialized	Initialized	Initialized	
PWBFR_2C	Initialized	-	-	-	Initialized	Initialized	Initialized	Initialized	Initialized	Initialized	
PWBFR_2E	Initialized	-	-	-	Initialized	Initialized	Initialized	Initialized	Initialized	Initialized	
PWBFR_2G	Initialized	-	-	-	Initialized	Initialized	Initialized	Initialized	Initialized	Initialized	



Register Abbrevia- tion	Reset	High speed	Medium speed	Module				Subactive	Subsleep	Software	Hardware	Module
				Sleep	Stop	Watch	Standby			Standby	Module	
PHDDR	Initialized	-	-	-	-	-	-	-	-	Initialized		PORT
PJDDR	Initialized	-	-	-	-	-	-	-	-	Initialized		
PKDDR	Initialized	-	-	-	-	-	-	-	-	Initialized		
PHDR	Initialized	-	-	-	-	-	-	-	-	Initialized		
PJDR	Initialized	-	-	-	-	-	-	-	-	Initialized		
PKDR	Initialized	-	-	-	-	-	-	-	-	Initialized		
PORTH	Initialized	-	-	-	-	-	-	-	-	Initialized		
PORTJ	Initialized	-	-	-	-	-	-	-	-	Initialized		
PORTK	Initialized	-	-	-	-	-	-	-	-	Initialized		
LPCR	Initialized	-	-	-	-	-	-	-	-	Initialized		LCD
LCR	Initialized	-	-	-	-	-	-	-	-	Initialized		
LCR2	Initialized	-	-	-	-	-	-	-	-	Initialized		
MSTPCRD	Initialized	-	-	-	-	-	-	-	-	Initialized		SYSTEM
PWBTCR	Initialized	-	-	-	Initialized	Initialized	Initialized	Initialized	Initialized	Initialized	Initialized	PWM common
SMR_4	Initialized	-	-	-	-	-	-	-	-	Initialized		SCI_4
BRR_4	Initialized	-	-	-	-	-	-	-	-	Initialized		
SCR_4	Initialized	-	-	-	-	-	-	-	-	Initialized		
TDR_4	Initialized	-	-	-	Initialized	Initialized	Initialized	Initialized	Initialized	Initialized		
SSR_4	Initialized	-	-	-	Initialized	Initialized	Initialized	Initialized	Initialized	Initialized		
RDR_4	Initialized	-	-	-	Initialized	Initialized	Initialized	Initialized	Initialized	Initialized		
SCMR_4	Initialized	-	-	-	-	-	-	-	-	Initialized		
SBYCR	Initialized	-	-	-	-	-	-	-	-	Initialized		SYSTEM
SYSCR	Initialized	-	-	-	-	-	-	-	-	Initialized		
SCKCR	Initialized	-	-	-	-	-	-	-	-	Initialized		
MDCR	Initialized	-	-	-	-	-	-	-	-	Initialized		
MSTPCRA	Initialized	-	-	-	-	-	-	-	-	Initialized		
MSTPCRB	Initialized	-	-	-	-	-	-	-	-	Initialized		
MSTPCRC	Initialized	-	-	-	-	-	-	-	-	Initialized		
PFCR	Initialized	-	-	-	-	-	-	-	-	Initialized		BSC

Register Abbrevia- tion	Reset	High	Medium	Module			Software	Hardware	Module		
		speed	speed	Sleep	Stop	Watch	Subactive	Subsleep		Standby	Standby
LPWRCR	Initialized	-	-	-	-	-	-	-	-	Initialized	SYSTEM
BARA	Initialized	-	-	-	-	-	-	-	-	Initialized	PBC
BARB	Initialized	-	-	-	-	-	-	-	-	Initialized	
BCRA	Initialized	-	-	-	-	-	-	-	-	Initialized	
BCRB	Initialized	-	-	-	-	-	-	-	-	Initialized	
ISCRH	Initialized	-	-	-	-	-	-	-	-	Initialized	INT
ISCR L	Initialized	-	-	-	-	-	-	-	-	Initialized	
IER	Initialized	-	-	-	-	-	-	-	-	Initialized	
ISR	Initialized	-	-	-	-	-	-	-	-	Initialized	
DTCERA	Initialized	-	-	-	-	-	-	-	-	Initialized	DTC
DTCERB	Initialized	-	-	-	-	-	-	-	-	Initialized	
DTCERC	Initialized	-	-	-	-	-	-	-	-	Initialized	
DTCERD	Initialized	-	-	-	-	-	-	-	-	Initialized	
DTCERE	Initialized	-	-	-	-	-	-	-	-	Initialized	
DTCERF	Initialized	-	-	-	-	-	-	-	-	Initialized	
DTCERG	Initialized	-	-	-	-	-	-	-	-	Initialized	
DTCERI	Initialized	-	-	-	-	-	-	-	-	Initialized	
DTVECR	Initialized	-	-	-	-	-	-	-	-	Initialized	
PCR	Initialized	-	-	-	-	-	-	-	-	Initialized	PPG
PMR	Initialized	-	-	-	-	-	-	-	-	Initialized	
NDERH	Initialized	-	-	-	-	-	-	-	-	Initialized	
NDERL	Initialized	-	-	-	-	-	-	-	-	Initialized	
PODRH	Initialized	-	-	-	-	-	-	-	-	Initialized	
PODR L	Initialized	-	-	-	-	-	-	-	-	Initialized	
NDRH	Initialized	-	-	-	-	-	-	-	-	Initialized	
NDRL	Initialized	-	-	-	-	-	-	-	-	Initialized	
NDRH	Initialized	-	-	-	-	-	-	-	-	Initialized	
NDRL	Initialized	-	-	-	-	-	-	-	-	Initialized	

Register Abbrevia- tion	Reset	High speed	Medium speed	Module			Subactive	Subsleep	Software	Hardware	Module
				Sleep	Stop	Watch			Standby	Standby	
P1DDR	Initialized	-	-	-	-	-	-	-	-	Initialized	PORT
P2DDR	Initialized	-	-	-	-	-	-	-	-	Initialized	
P3DDR	Initialized	-	-	-	-	-	-	-	-	Initialized	
P5DDR	Initialized	-	-	-	-	-	-	-	-	Initialized	
PADDR	Initialized	-	-	-	-	-	-	-	-	Initialized	
PBDDR	Initialized	-	-	-	-	-	-	-	-	Initialized	
PCDDR	Initialized	-	-	-	-	-	-	-	-	Initialized	
PDDDR	Initialized	-	-	-	-	-	-	-	-	Initialized	
PEDDR	Initialized	-	-	-	-	-	-	-	-	Initialized	
PFDDR	Initialized	-	-	-	-	-	-	-	-	Initialized	
PAPCR	Initialized	-	-	-	-	-	-	-	-	Initialized	
PBPCR	Initialized	-	-	-	-	-	-	-	-	Initialized	
PCPCR	Initialized	-	-	-	-	-	-	-	-	Initialized	
PDPCR	Initialized	-	-	-	-	-	-	-	-	Initialized	
PEPCR	Initialized	-	-	-	-	-	-	-	-	Initialized	
P3ODR	Initialized	-	-	-	-	-	-	-	-	Initialized	
PAODR	Initialized	-	-	-	-	-	-	-	-	Initialized	
PBODR	Initialized	-	-	-	-	-	-	-	-	Initialized	
PCODR	Initialized	-	-	-	-	-	-	-	-	Initialized	
TCR_3	Initialized	-	-	-	-	-	-	-	-	Initialized	
TMDR_3	Initialized	-	-	-	-	-	-	-	-	Initialized	
TIORH_3	Initialized	-	-	-	-	-	-	-	-	Initialized	
TIORL_3	Initialized	-	-	-	-	-	-	-	-	Initialized	
TIER_3	Initialized	-	-	-	-	-	-	-	-	Initialized	
TSR_3	Initialized	-	-	-	-	-	-	-	-	Initialized	
TCNTH_3	Initialized	-	-	-	-	-	-	-	-	Initialized	
TCNTL_3	Initialized	-	-	-	-	-	-	-	-	Initialized	
TGRAH_3	Initialized	-	-	-	-	-	-	-	-	Initialized	
TGRAL_3	Initialized	-	-	-	-	-	-	-	-	Initialized	
TGRBH_3	Initialized	-	-	-	-	-	-	-	-	Initialized	

Register Abbrevia- tion	Reset	High speed	Medium speed	Module			Software		Hardware		Module	
				Sleep	Stop	Watch	Subactive	Subsleep	Standby	Standby		
TGRBL_3	Initialized	-	-	-	-	-	-	-	-	Initialized	TPU_3	
TGRCH_3	Initialized	-	-	-	-	-	-	-	-	Initialized		
TGRCL_3	Initialized	-	-	-	-	-	-	-	-	Initialized		
TGRDH_3	Initialized	-	-	-	-	-	-	-	-	Initialized		
TGRDL_3	Initialized	-	-	-	-	-	-	-	-	Initialized		
TCR_4	Initialized	-	-	-	-	-	-	-	-	Initialized	TPU_4	
TMDR_4	Initialized	-	-	-	-	-	-	-	-	Initialized		
TIOR_4	Initialized	-	-	-	-	-	-	-	-	Initialized		
TIER_4	Initialized	-	-	-	-	-	-	-	-	Initialized		
TSR_4	Initialized	-	-	-	-	-	-	-	-	Initialized		
TCNTH_4	Initialized	-	-	-	-	-	-	-	-	Initialized		
TCNTL_4	Initialized	-	-	-	-	-	-	-	-	Initialized		
TGRAH_4	Initialized	-	-	-	-	-	-	-	-	Initialized		
TGRAL_4	Initialized	-	-	-	-	-	-	-	-	Initialized		
TGRBH_4	Initialized	-	-	-	-	-	-	-	-	Initialized		
TGRBL_4	Initialized	-	-	-	-	-	-	-	-	Initialized		
TCR_5	Initialized	-	-	-	-	-	-	-	-	Initialized		TPU_5
TMDR_5	Initialized	-	-	-	-	-	-	-	-	Initialized		
TIOR_5	Initialized	-	-	-	-	-	-	-	-	Initialized		
TIER_5	Initialized	-	-	-	-	-	-	-	-	Initialized		
TSR_5	Initialized	-	-	-	-	-	-	-	-	Initialized		
TCNTH_5	Initialized	-	-	-	-	-	-	-	-	Initialized		
TCNTL_5	Initialized	-	-	-	-	-	-	-	-	Initialized		
TGRAH_5	Initialized	-	-	-	-	-	-	-	-	Initialized		
TGRAL_5	Initialized	-	-	-	-	-	-	-	-	Initialized		
TGRBH_5	Initialized	-	-	-	-	-	-	-	-	Initialized		
TGRBL_5	Initialized	-	-	-	-	-	-	-	-	Initialized		
TSTR	Initialized	-	-	-	-	-	-	-	-	Initialized	TPU common	
TSYR	Initialized	-	-	-	-	-	-	-	-	Initialized		

Register Abbrevia- tion	Reset	High speed	Medium speed	Module				Subactive	Subsleep	Software	Hardware	Module
				Sleep	Stop	Watch	Standby			Standby	Standby	
IPRA	Initialized	-	-	-	-	-	-	-	-	-	Initialized	INT
IPRB	Initialized	-	-	-	-	-	-	-	-	-	Initialized	
IPRC	Initialized	-	-	-	-	-	-	-	-	-	Initialized	
IPRD	Initialized	-	-	-	-	-	-	-	-	-	Initialized	
IPRE	Initialized	-	-	-	-	-	-	-	-	-	Initialized	
IPRF	Initialized	-	-	-	-	-	-	-	-	-	Initialized	
IPRG	Initialized	-	-	-	-	-	-	-	-	-	Initialized	
IPRH	Initialized	-	-	-	-	-	-	-	-	-	Initialized	
IPRJ	Initialized	-	-	-	-	-	-	-	-	-	Initialized	
IPRK	Initialized	-	-	-	-	-	-	-	-	-	Initialized	
IPRM	Initialized	-	-	-	-	-	-	-	-	-	Initialized	
IPRO	Initialized	-	-	-	-	-	-	-	-	-	Initialized	
ABWCR	Initialized	-	-	-	-	-	-	-	-	-	Initialized	BSC
ASTCR	Initialized	-	-	-	-	-	-	-	-	-	Initialized	
WCRH	Initialized	-	-	-	-	-	-	-	-	-	Initialized	
WCRL	Initialized	-	-	-	-	-	-	-	-	-	Initialized	
BCRH	Initialized	-	-	-	-	-	-	-	-	-	Initialized	
BCRL	Initialized	-	-	-	-	-	-	-	-	-	Initialized	
RAMER	Initialized	-	-	-	-	-	-	-	-	-	Initialized	FLASH (F-ZTAT)
P1DR	Initialized	-	-	-	-	-	-	-	-	-	Initialized	PORT
P2DR	Initialized	-	-	-	-	-	-	-	-	-	Initialized	
P3DR	Initialized	-	-	-	-	-	-	-	-	-	Initialized	
P5DR	Initialized	-	-	-	-	-	-	-	-	-	Initialized	
PADR	Initialized	-	-	-	-	-	-	-	-	-	Initialized	
PBDR	Initialized	-	-	-	-	-	-	-	-	-	Initialized	
PCDR	Initialized	-	-	-	-	-	-	-	-	-	Initialized	
PDDR	Initialized	-	-	-	-	-	-	-	-	-	Initialized	
PEDR	Initialized	-	-	-	-	-	-	-	-	-	Initialized	
PFDR	Initialized	-	-	-	-	-	-	-	-	-	Initialized	

Register Abbrevia- tion	Reset	High speed	Medium speed	Sleep	Module			Subactive	Subsleep	Software	Hardware	Module
					Standby	Standby	Standby					
TCR_0	Initialized	-	-	-	-	-	-	-	-	Initialized		TPU_0
TMDR_0	Initialized	-	-	-	-	-	-	-	-	Initialized		
TIORH_0	Initialized	-	-	-	-	-	-	-	-	Initialized		
TIORL_0	Initialized	-	-	-	-	-	-	-	-	Initialized		
TIER_0	Initialized	-	-	-	-	-	-	-	-	Initialized		
TSR_0	Initialized	-	-	-	-	-	-	-	-	Initialized		
TCNTH_0	Initialized	-	-	-	-	-	-	-	-	Initialized		
TCNTL_0	Initialized	-	-	-	-	-	-	-	-	Initialized		
TGRAH_0	Initialized	-	-	-	-	-	-	-	-	Initialized		
TGRAL_0	Initialized	-	-	-	-	-	-	-	-	Initialized		
TGRBH_0	Initialized	-	-	-	-	-	-	-	-	Initialized		
TGRBL_0	Initialized	-	-	-	-	-	-	-	-	Initialized		
TGRCH_0	Initialized	-	-	-	-	-	-	-	-	Initialized		
TGRCL_0	Initialized	-	-	-	-	-	-	-	-	Initialized		
TGRDH_0	Initialized	-	-	-	-	-	-	-	-	Initialized		
TGRDL_0	Initialized	-	-	-	-	-	-	-	-	Initialized		
TCR_1	Initialized	-	-	-	-	-	-	-	-	Initialized		TPU_1
TMDR_1	Initialized	-	-	-	-	-	-	-	-	Initialized		
TIOR_1	Initialized	-	-	-	-	-	-	-	-	Initialized		
TIER_1	Initialized	-	-	-	-	-	-	-	-	Initialized		
TSR_1	Initialized	-	-	-	-	-	-	-	-	Initialized		
TCNTH_1	Initialized	-	-	-	-	-	-	-	-	Initialized		
TCNTL_1	Initialized	-	-	-	-	-	-	-	-	Initialized		
TGRAH_1	Initialized	-	-	-	-	-	-	-	-	Initialized		
TGRAL_1	Initialized	-	-	-	-	-	-	-	-	Initialized		
TGRBH_1	Initialized	-	-	-	-	-	-	-	-	Initialized		
TGRBL_1	Initialized	-	-	-	-	-	-	-	-	Initialized		
TCR_2	Initialized	-	-	-	-	-	-	-	-	Initialized		TPU_2
TMDR_2	Initialized	-	-	-	-	-	-	-	-	Initialized		
TIOR_2	Initialized	-	-	-	-	-	-	-	-	Initialized		

Register Abbrevia- tion	Reset	High speed	Medium speed	Module				Subactive	Subsleep	Software	Hardware	Module
				Sleep	Stop	Watch	Standby			Standby	Module	
TIER_2	Initialized	-	-	-	-	-	-	-	-	Initialized		TPU_2
TSR_2	Initialized	-	-	-	-	-	-	-	-	Initialized		
TCNTH_2	Initialized	-	-	-	-	-	-	-	-	Initialized		
TCNTL_2	Initialized	-	-	-	-	-	-	-	-	Initialized		
TGRAH_2	Initialized	-	-	-	-	-	-	-	-	Initialized		
TGRAL_2	Initialized	-	-	-	-	-	-	-	-	Initialized		
TGRBH_2	Initialized	-	-	-	-	-	-	-	-	Initialized		
TGRBL_2	Initialized	-	-	-	-	-	-	-	-	Initialized		
TCSR_0	Initialized	-	-	-	-	-	-	-	-	Initialized		WDT_0
TCNT_0	Initialized	-	-	-	-	-	-	-	-	Initialized		
RSTCSR	Initialized	-	-	-	-	-	-	-	-	Initialized		
SMR_0	Initialized	-	-	-	-	-	-	-	-	Initialized		SCI_0
BRR_0	Initialized	-	-	-	-	-	-	-	-	Initialized		
SCR_0	Initialized	-	-	-	-	-	-	-	-	Initialized		
TDR_0	Initialized	-	-	-	Initialized	Initialized	Initialized	Initialized	Initialized	Initialized		
SSR_0	Initialized	-	-	-	Initialized	Initialized	Initialized	Initialized	Initialized	Initialized		
RDR_0	Initialized	-	-	-	Initialized	Initialized	Initialized	Initialized	Initialized	Initialized		
SCMR_0	Initialized	-	-	-	-	-	-	-	-	Initialized		
SMR_1	Initialized	-	-	-	-	-	-	-	-	Initialized		SCI_1
BRR_1	Initialized	-	-	-	-	-	-	-	-	Initialized		
SCR_1	Initialized	-	-	-	-	-	-	-	-	Initialized		
TDR_1	Initialized	-	-	-	Initialized	Initialized	Initialized	Initialized	Initialized	Initialized		
SSR_1	Initialized	-	-	-	Initialized	Initialized	Initialized	Initialized	Initialized	Initialized		
RDR_1	Initialized	-	-	-	Initialized	Initialized	Initialized	Initialized	Initialized	Initialized		
SCMR_1	Initialized	-	-	-	-	-	-	-	-	Initialized		
SMR_2	Initialized	-	-	-	-	-	-	-	-	Initialized		SCI_2
BRR_2	Initialized	-	-	-	-	-	-	-	-	Initialized		
SCR_2	Initialized	-	-	-	-	-	-	-	-	Initialized		
TDR_2	Initialized	-	-	-	Initialized	Initialized	Initialized	Initialized	Initialized	Initialized		
SSR_2	Initialized	-	-	-	Initialized	Initialized	Initialized	Initialized	Initialized	Initialized		

Register Abbrevia- tion	Reset	High speed	Medium speed	Sleep	Module				Software	Hardware	Module
					Stop	Watch	Subactive	Subsleep	Standby	Standby	
RDR_2	Initialized	—	—	—	Initialized	Initialized	Initialized	Initialized	Initialized	Initialized	SCL_2
SCMR_2	Initialized	—	—	—	—	—	—	—	—	Initialized	
ADDRAH	Initialized	—	—	—	Initialized	Initialized	Initialized	Initialized	Initialized	Initialized	A/D
ADDRAL	Initialized	—	—	—	Initialized	Initialized	Initialized	Initialized	Initialized	Initialized	
ADDRBH	Initialized	—	—	—	Initialized	Initialized	Initialized	Initialized	Initialized	Initialized	
ADDRBL	Initialized	—	—	—	Initialized	Initialized	Initialized	Initialized	Initialized	Initialized	
ADDRCH	Initialized	—	—	—	Initialized	Initialized	Initialized	Initialized	Initialized	Initialized	
ADDRCL	Initialized	—	—	—	Initialized	Initialized	Initialized	Initialized	Initialized	Initialized	
ADDRDH	Initialized	—	—	—	Initialized	Initialized	Initialized	Initialized	Initialized	Initialized	
ADDRDL	Initialized	—	—	—	Initialized	Initialized	Initialized	Initialized	Initialized	Initialized	
ADCSR	Initialized	—	—	—	Initialized	Initialized	Initialized	Initialized	Initialized	Initialized	
ADCR	Initialized	—	—	—	Initialized	Initialized	Initialized	Initialized	Initialized	Initialized	
TCSR_1	Initialized	—	—	—	—	—	—	—	—	Initialized	WDT_1
TCNT_1	Initialized	—	—	—	—	—	—	—	—	Initialized	
FLMCR1	Initialized	—	—	—	—	—	—	—	—	Initialized	FLASH
FLMCR2	Initialized	—	—	—	—	—	—	—	—	Initialized	(F-ZTAT)
EBR1	Initialized	—	—	—	—	—	—	—	—	Initialized	
EBR2	Initialized	—	—	—	—	—	—	—	—	Initialized	
FLPWCR	Initialized	—	—	—	—	—	—	—	—	Initialized	
PORT1	—	—	—	—	—	—	—	—	—	—	PORT
PORT2	—	—	—	—	—	—	—	—	—	—	
PORT3	—	—	—	—	—	—	—	—	—	—	
PORT4	—	—	—	—	—	—	—	—	—	—	
PORT5	—	—	—	—	—	—	—	—	—	—	
PORT9	—	—	—	—	—	—	—	—	—	—	
PORTA	—	—	—	—	—	—	—	—	—	—	
PORTB	—	—	—	—	—	—	—	—	—	—	
PORTC	—	—	—	—	—	—	—	—	—	—	
PORTD	—	—	—	—	—	—	—	—	—	—	
PORTF	—	—	—	—	—	—	—	—	—	—	

Note: — is not initialized.



## Section 23 Electrical Characteristics [Preliminary]

### 23.1 Absolute Maximum Ratings

Table 23.1 lists the absolute maximum ratings.

**Table 23.1 Absolute Maximum Ratings**

Item	Symbol	Value	Unit
Power supply voltage	$V_{CC}$	-0.3 to +7.0	V
	PMWV <sub>CC</sub>		
	LPV <sub>CC</sub>	-0.3 to +7.0	V
Input voltage (XTAL, EXTAL)	$V_{in}$	-0.3 to $V_{CC} + 0.3$	V
Input voltage (OSC1, OSC2)	$V_{in}$	-0.3 to +3.5	V
Input voltage (ports A, B, C, D, E, PF2, PF4 to PF6)	$V_{in}$	-0.3 to LPV <sub>CC</sub> + 0.3	V
Input voltage (ports H and J)	$V_{in}$	-0.3 to PWMV <sub>CC</sub> + 0.3	V
Input voltage (except XTAL, EXTAL, OSC1, OSC2, ports 4, 9, A, B, C, D, E, PF2, PF4 to PF6, H, and J)	$V_{in}$	-0.3 to $V_{CC} + 0.3$	V
Reference voltage	$V_{ref}$	-0.3 to AV <sub>CC</sub> + 0.3	V
Analog power supply voltage	AV <sub>CC</sub>	-0.3 to +7.0	V
Analog input voltage	$V_{AN}$	-0.3 to AV <sub>CC</sub> + 0.3	V
Operating temperature	$T_{opr}$	Regular specifications: -20 to +75	°C
		Wide-range specifications: -40 to +85	°C
Storage temperature	$T_{stg}$	-55 to +125	°C

Caution: Permanent damage to the chip may result if absolute maximum rating are exceeded.

## 23.2 DC Characteristics

Table 23.2 lists the DC characteristics. Table 23.3 lists the permissible output currents.

**Table 23.2 DC Characteristics**

Conditions:  $V_{CC} = AV_{CC} = 4.5\text{ V to }5.5\text{ V}$ ,  $LPV_{CC} = 4.5\text{ V to }5.5\text{ V}$ ,  $PWMV_{CC} = 4.5\text{ V to }5.5\text{ V}$ ,  
 $V_{ref} = 4.5\text{ V to }AV_{CC}$ ,  $V_{SS} = PWMV_{SS} = PLLV_{SS} = AV_{SS} = 0\text{ V}$ ,  $T_a = -20^\circ\text{C to }+75^\circ\text{C}$   
 (regular specifications),  $T_a = -40^\circ\text{C to }+85^\circ\text{C}$  (wide-range specifications)\*<sup>1</sup>

Item	Symbol	Min.	Typ.	Max.	Unit	Test Conditions
Schmitt trigger input voltage	IRQ0 to IRQ5	$V_T^-$	$V_{CC} \times 0.2$	—	—	V
		$V_T^+$	—	—	$V_{CC} \times 0.7$	
		$V_T^+ - V_T^-$	$V_{CC} \times 0.05$	—	—	
Ports A to E, PF2, 4 to 6		$V_T^-$	$LPV_{CC} \times 0.2$	—	—	V
		$V_T^+$	—	—	$LPV_{CC} \times 0.7$	
		$V_T^+ - V_T^-$	$LPV_{CC} \times 0.05$	—	—	
Ports H, J		$V_T^-$	$PWMV_{CC} \times 0.2$	—	—	V
		$V_T^+$	—	—	$PWMV_{CC} \times 0.7$	
		$V_T^+ - V_T^-$	$PWMV_{CC} \times 0.05$	—	—	
Ports 4, 9		$AV_{CC} \times 0.7$	—	$AV_{CC} + 0.3$		
Input high voltage	RES, STBY, NMI, FWE, MD2 to MD0	$V_{IH}$	$V_{CC} \times 0.9$	—	$V_{CC} + 0.3$	V
		Ports 1 to 3, 5, K, PF0, PF3, PF7, EXTAL	$V_{CC} \times 0.7$	—	$V_{CC} + 0.3$	
		HRxD0, HRxD1	$V_{CC} \times 0.7$	—	$V_{CC} + 0.3$	
		Ports 4 and 9	$AV_{CC} \times 0.7$	—	$AV_{CC} + 0.3$	

Item	Symbol	Min.	Typ.	Max.	Unit	Test Conditions	
Input low voltage	RES, STBY, NMI, FWE, MD2 to MD0	$V_{IL}$	-0.3	—	$V_{CC} \times 0.1$	V	
	Ports 1 to 3, 5, K, PF0, 3, 7, EXTAL		-0.3	—	$V_{CC} \times 0.2$		
	HRxD0, HRxD1		-0.3	—	$V_{CC} \times 0.2$		
	Ports 4 and 9		-0.3	—	$AV_{CC} \times 0.2$		
Output high voltage	Ports 1 to 3, 5, K, PF0, PF3, PF7, HRxD0, HRxD1	$V_{OH}$	$V_{CC} - 0.5$	—	—	V	$I_{OH} = -200 \mu A$
	Ports A to E, PF2, PF4 to PF6		$LPV_{CC} - 0.5$	—	—		$I_{OH} = -200 \mu A$
	Ports H, J		$PWMV_{CC} - 0.5$	—	—		$I_{OH} = -200 \mu A$
	Ports 1 to 3, 5, K, PF0, PF3, PF7, HRxD0, HRxD1		$V_{CC} - 1.0$	—	—		$I_{OH} = -1 \text{ mA}$
	Ports A to E, PF2, PF4 to PF6		$LPV_{CC} - 1.0$	—	—		$I_{OH} = -1 \text{ mA}$
	Ports H, J		$PWMV_{CC} - 1.0$	—	—		$I_{OH} = -1 \text{ mA}$
	PWM1A to PWM1H, PWM2A to PWM2H		$PWMV_{CC} - 0.5$	—	—		$I_{OH} = -15 \text{ mA}$

Item	Symbol	Min.	Typ.	Max.	Unit	Test Conditions	
Output low voltage	All output pins except PWM1A to PWM1H, PWM2A to PWM2H	$V_{OL}$	—	—	0.4	V	$I_{OL} = 1.6 \text{ mA}$
	PWM1A to PWM1H, PWM2A to PWM2H	—	—	0.5			$I_{OL} = 15 \text{ mA}$
Input leakage current	$\overline{\text{RES}}$	$ I_{in} $	—	—	1.0	$\mu\text{A}$	$V_{in} = 0.5 \text{ to } V_{CC} - 0.5$
	$\overline{\text{STBY}}$ , NMI, MD2 to MD0	—	—	1.0			
	HRxD0, HRxD1, FWE	—	—	1.0			
	Ports 4 and 9	—	—	1.0			$V_{in} = 0.5 \text{ to } AV_{CC} - 0.5$
Three-state leakage current (off state)	Ports 1 to 3, 5, K, PF0, PF3, PF7, HRxD0, HRxD1	$ I_{TSL} $	—	—	1.0	$\mu\text{A}$	$V_{in} = 0.5 \text{ to } V_{CC} - 0.5$
	Ports H, J	—	—	1.0			$V_{in} = 0.5 \text{ to } PWMV_{CC} - 0.5$
	Ports A to E, PF2, PF4 to PF6	—	—	1.0			$V_{in} = 0.5 \text{ to } LPV_{CC} - 0.5$
Input pull-up MOS current	Ports A to E	$-I_p$	10	—	300	$\mu\text{A}$	$V_{in} = 0 \text{ V}$
Input capacitance	$\overline{\text{RES}}$	$C_{in}$	—	—	30	$\text{pF}$	$V_{in} = 0 \text{ V}$
	NMI	—	—	30			$f = 1 \text{ MHz}$
	All input pins except $\overline{\text{RES}}$ and NMI	—	—	15			$T_a = 25^\circ\text{C}$

Item		Symbol	Min.	Typ.	Max.	Unit	Test Conditions
Current consumption *2	Normal operation	$I_{CC}^{*3}$	—	60	80	mA	$f = 20 \text{ MHz}$
	Sleep mode		—	50	65	mA	$f = 20 \text{ MHz}$
	All modules stopped		—	40	—	mA	$f = 20 \text{ MHz}$ (reference values)
	Medium-speed mode ( $\phi/32$ )		—	40	—	mA	$f = 20 \text{ MHz}$ (reference values)
	Subactive mode		—	130	220	$\mu\text{A}$	Using 32.768 kHz crystal resonator
	Subsleep mode		—	95	160	$\mu\text{A}$	Using 32.768 kHz crystal resonator
	Watch mode		—	25	60	$\mu\text{A}$	Using 32.768 kHz crystal resonator
	Standby*3		—	2.0	10	$\mu\text{A}$	$T_a \leq 50^\circ\text{C}$
			—	80		$50^\circ\text{C} < T_a$	
LCD power supply port power supply current	During operation	$LPI_{CC}$	—	10	20	mA	
	Standby mode		—	0.1	10	$\mu\text{A}$	$T_a = 50^\circ\text{C}$
			—	—	80		$50^\circ\text{C} < T_a$
Analog power supply current	During A/D conversion	$AI_{CC}$	—	1.0	2.0	mA	$AV_{CC} = 5.0 \text{ V}$
	Idle		—	—	5.0	$\mu\text{A}$	
Reference current	During A/D conversion	$AI_{CC}$	—	2.5	4.0	mA	$V_{ref} = 5.0 \text{ V}$
	Idle		—	—	5.0	$\mu\text{A}$	
RAM standby voltage		$V_{RAM}$	2.0	—	—	V	

- Notes: 1. **If the A/D converter is not used, do not leave the  $AV_{CC}$ ,  $V_{ref}$ , and  $AV_{SS}$  pins open.**  
Apply a voltage between 4.5 V and 5.5 V to the  $AV_{CC}$  and  $V_{ref}$  pins by connecting them to  $V_{CC}$ , for instance. Set  $V_{ref} \leq AV_{CC}$ .
2. Current consumption values are for  $V_{IH} = V_{CC}$ ,  $AV_{CC}$  (port 4, 9),  $PWMV_{CC}$  (port H, J),  $LPV_{CC}$  (port A to E),  $V_{IL} = 0 \text{ V}$  with all output pins unloaded and the on-chip pull-up resistors in the off state.
3.  $I_{CC}$  depends on  $V_{CC}$  and  $f$  as follows:  
 $I_{CC \text{ max.}} = 31 \text{ (mA)} + 0.45 \text{ (mA/(MHz} \times \text{V))} \times V_{CC} \times f$  (normal operation)  
 $I_{CC \text{ max.}} = 27 \text{ (mA)} + 0.35 \text{ (mA/(MHz} \times \text{V))} \times V_{CC} \times f$  (sleep mode)

**Table 23.3 Permissible Output Currents**

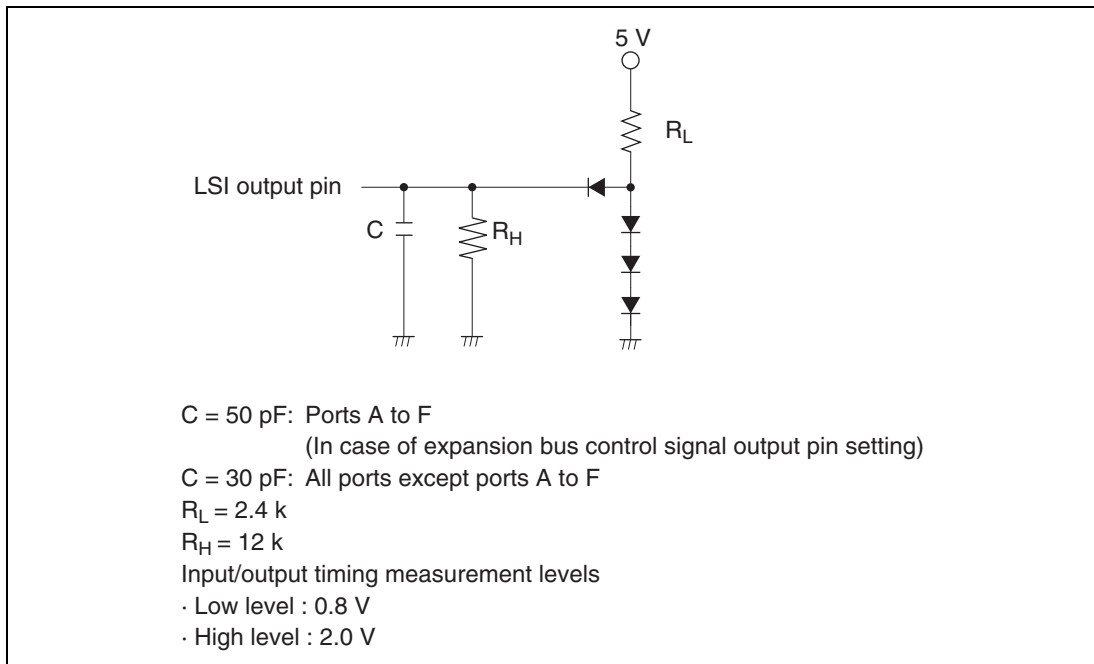
Conditions:  $V_{CC} = AV_{CC} = 4.5 \text{ V to } 5.5 \text{ V}$ ,  $LPV_{CC} = 4.5 \text{ V to } 5.5 \text{ V}$ ,  $PWMV_{CC} = 4.5 \text{ V to } 5.5 \text{ V}$ ,  
 $V_{ref} = 4.5 \text{ V to } AV_{CC}$ ,  $V_{SS} = PWMV_{SS} = PLLV_{SS} = AV_{SS} = 0 \text{ V}$ ,  $T_a = -20^\circ\text{C to } +75^\circ\text{C}$   
 (regular specifications),  $T_a = -40^\circ\text{C to } +85^\circ\text{C}$  (wide-range specifications)

Item		Symbol	Min.	Typ.	Max.	Unit	Test Conditions
Permissible output low current (per pin)	All output pins except PWM1A to PWM1H, PWM2A to PWM2H	$I_{OL}$	—	—	10	mA	
	PWM1A to PWM1H, PWM2A to PWM2H	$I_{OL}$	—	—	25	mA	$T_a = 75^\circ\text{C to } 85^\circ\text{C}$
							$T_a = 25^\circ\text{C}$
							$T_a = -40^\circ\text{C}$
Permissible output low current (total)	Total of all output pins except PWM1A to PWM1H, PWM2A to PWM2H	$\Sigma I_{OL}$	—	—	80	mA	
	Total of PWM1A to PWM1H, PWM2A to PWM2H	$\Sigma I_{OL}$	—	—	150	mA	$T_a = 75^\circ\text{C to } 85^\circ\text{C}$
							$T_a = 25^\circ\text{C}$
							$T_a = -40^\circ\text{C}$
Permissible output high current (per pin)	All output pins except PWM1A to PWM1H, PWM2A to PWM2H	$-I_{OH}$	—	—	2.0	mA	
	PWM1A to PWM1H, PWM2A to PWM2H	$-I_{OH}$	—	—	25	mA	$T_a = 75^\circ\text{C to } 85^\circ\text{C}$
							$T_a = 25^\circ\text{C}$
							$T_a = -40^\circ\text{C}$
Permissible output high current (total)	Total of all output pins except PWM1A to PWM1H, PWM2A to PWM2H	$-\Sigma I_{OH}$	—	—	40	mA	
	Total of PWM1A to PWM1H, PWM2A to PWM2H	$-\Sigma I_{OH}$	—	—	150	mA	$T_a = 75^\circ\text{C to } 85^\circ\text{C}$
							$T_a = 25^\circ\text{C}$
							$T_a = -40^\circ\text{C}$

Note: To protect chip reliability, do not exceed the output current values in table 23.3.

### 23.3 AC Characteristics

Figure 23.1 shows the test conditions for the AC characteristics.



**Figure 23.1 Output Load Circuit**

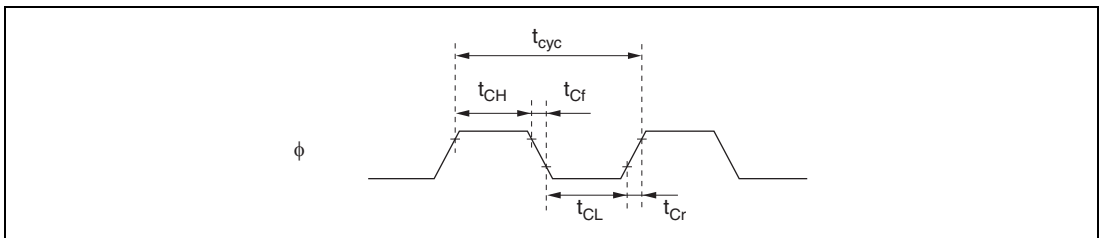
### 23.3.1 Clock Timing

Table 23.4 lists the clock timing

**Table 23.4 Clock Timing**

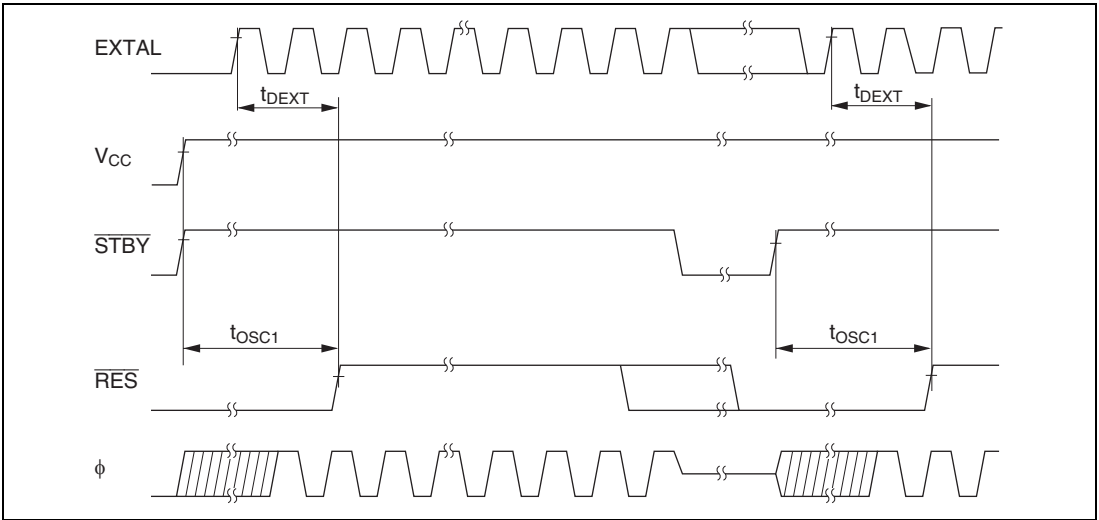
Condition:  $V_{CC} = AV_{CC} = 4.5 \text{ V to } 5.5 \text{ V}$ ,  $LPV_{CC} = 4.5 \text{ V to } 5.5 \text{ V}$ ,  $PWMV_{CC} = 4.5 \text{ V to } 5.5 \text{ V}$ ,  
 $V_{ref} = 4.5 \text{ V to } AV_{CC}$ ,  $V_{SS} = PWMV_{SS} = PLLV_{SS} = AV_{SS} = 0 \text{ V}$ ,  $T_a = -20^\circ\text{C to } +75^\circ\text{C}$   
 (regular specifications),  $T_a = -40^\circ\text{C to } +85^\circ\text{C}$  (wide-range specifications)

Item	Symbol	Min.	Max.	Unit	Test Conditions
Clock cycle time	$t_{cyc}$	50	250	ns	Figure 23.2
Clock high pulse width	$t_{CH}$	15	—	ns	
Clock low pulse width	$t_{CL}$	15	—	ns	
Clock rise time	$t_{Cr}$	—	10	ns	
Clock fall time	$t_{Cf}$	—	10	ns	
Clock oscillator settling time at reset (crystal)	$t_{OSC1}$	20	—	ms	Figure 23.3
Clock oscillator settling time in software standby (crystal)	$t_{OSC2}$	8	—	ms	Figure 21.3
External clock output settling time	$t_{DEXT}$	2	—	ms	Figure 23.3
Subclock oscillator settling time	$t_{OSC3}$	—	2	s	
Subclock oscillator frequency	$f_{SUB}$	32.768		kHz	
Subclock ( $\phi_{SUB}$ ) cycle time	$t_{SUB}$	30.5		$\mu\text{s}$	



**Figure 23.2 System Clock Timing**





**Figure 23.3 Oscillator Settling Timing**

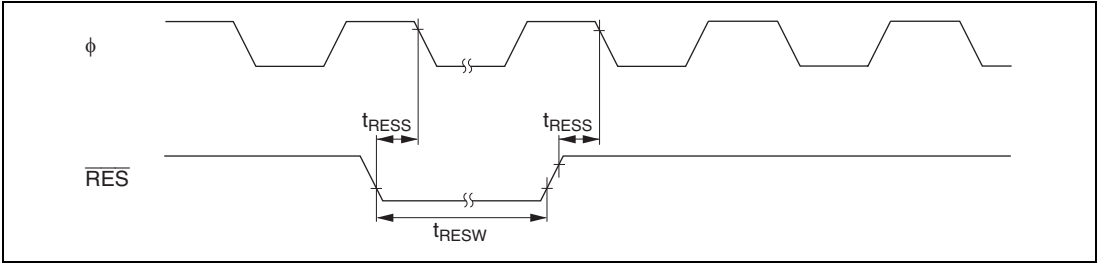
### 23.3.2 Control Signal Timing

Table 23.5 lists the control signal timing.

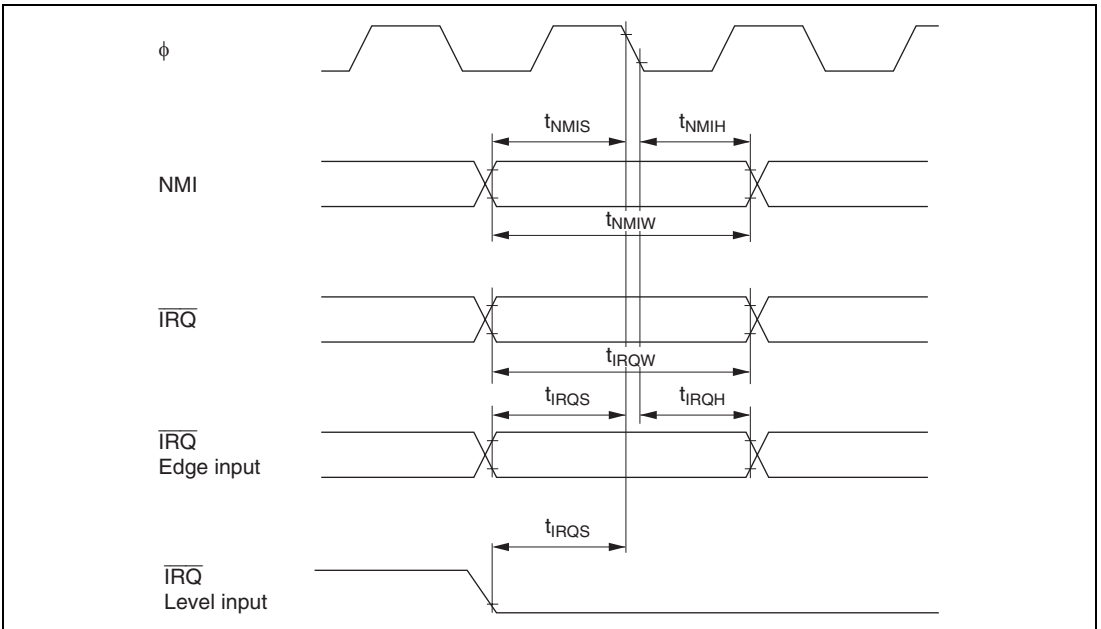
**Table 23.5 Control Signal Timing**

Condition:  $V_{CC} = AV_{CC} = 4.5\text{ V to }5.5\text{ V}$ ,  $LPV_{CC} = 4.5\text{ V to }5.5\text{ V}$ ,  $PWMV_{CC} = 4.5\text{ V to }5.5\text{ V}$ ,  
 $V_{ref} = 4.5\text{ V to }AV_{CC}$ ,  $V_{SS} = PWMV_{SS} = PLLV_{SS} = AV_{SS} = 0\text{ V}$ ,  $T_a = -20^\circ\text{C to }+75^\circ\text{C}$   
 (regular specifications),  $T_a = -40^\circ\text{C to }+85^\circ\text{C}$  (wide-range specifications)

Item	Symbol	Min.	Max.	Unit	Test Conditions
$\overline{\text{RES}}$ setup time	$t_{\text{RESS}}$	200	—	ns	Figure 23.4
$\overline{\text{RES}}$ pulse width	$t_{\text{RESW}}$	20	—	$t_{\text{cyc}}$	
NMI setup time	$t_{\text{NMIS}}$	150	—	ns	Figure 23.5
NMI hold time	$t_{\text{NMIH}}$	10	—	ns	
NMI pulse width (exiting software standby mode)	$t_{\text{NMIW}}$	200	—	ns	
$\overline{\text{IRQ}}$ setup time	$t_{\text{IRQS}}$	150	—	ns	
$\overline{\text{IRQ}}$ hold time	$t_{\text{IRQH}}$	10	—	ns	
$\overline{\text{IRQ}}$ pulse width (exiting software standby mode)	$t_{\text{IRQW}}$	200	—	ns	



**Figure 23.4 Reset Input Timing**



**Figure 23.5 Interrupt Input Timing**

### 23.3.3 Bus Timing

Table 23.6 lists the bus timing.

**Table 23.6 Bus Timing**

Condition:  $V_{CC} = AV_{CC} = 4.5\text{ V to }5.5\text{ V}$ ,  $LPV_{CC} = 4.5\text{ V to }5.5\text{ V}$ ,  $PWMV_{CC} = 4.5\text{ V to }5.5\text{ V}$ ,  
 $V_{ref} = 4.5\text{ V to }AV_{CC}$ ,  $V_{SS} = PWMV_{SS} = PLLV_{SS} = AV_{SS} = 0\text{ V}$ ,  $T_a = -20^\circ\text{C to }+75^\circ\text{C}$   
 (regular specifications),  $T_a = -40^\circ\text{C to }+85^\circ\text{C}$  (wide-range specifications)

Item	Symbol	Min.	Max.	Unit	Test Conditions
Address delay time	$t_{AD}$	—	45	ns	Figure 23.6 to
Address setup time	$t_{AS}$	$0.5 \times t_{cyc} - 32$	—	ns	Figure 23.10
Address hold time	$t_{AH}$	$0.5 \times t_{cyc} - 15$	—	ns	
$\overline{AS}$ delay time	$t_{ASD}$	—	45	ns	
$\overline{RD}$ delay time 1	$t_{RSD1}$	—	45	ns	
$\overline{RD}$ delay time 2	$t_{RSD2}$	—	45	ns	
Read data setup time	$t_{RDS}$	20	—	ns	
Read data hold time	$t_{RDH}$	10	—	ns	
Read data access time 1	$t_{ACC1}$	—	$1.0 \times t_{cyc} - 60$	ns	
Read data access time 2	$t_{ACC2}$	—	$1.5 \times t_{cyc} - 50$	ns	
Read data access time 3	$t_{ACC3}$	—	$2.0 \times t_{cyc} - 60$	ns	
Read data access time 4	$t_{ACC4}$	—	$2.5 \times t_{cyc} - 50$	ns	
Read data access time 5	$t_{ACC5}$	—	$3.0 \times t_{cyc} - 60$	ns	
$\overline{WR}$ delay time 1	$t_{WRD1}$	—	35	ns	
$\overline{WR}$ delay time 2	$t_{WRD2}$	—	45	ns	
$\overline{WR}$ pulse width 1	$t_{WSW1}$	$1.0 \times t_{cyc} - 40$	—	ns	
$\overline{WR}$ pulse width 2	$t_{WSW2}$	$1.5 \times t_{cyc} - 30$	—	ns	
Write data delay time	$t_{WDD}$	—	45	ns	
Write data setup time	$t_{WDS}$	$0.5 \times t_{cyc} - 20$	—	ns	
Write data hold time	$t_{WDH}$	$0.5 \times t_{cyc} - 10$	—	ns	
$\overline{WAIT}$ setup time	$t_{WTS}$	30	—	ns	
$\overline{WAIT}$ hold time	$t_{WTH}$	5	—	ns	

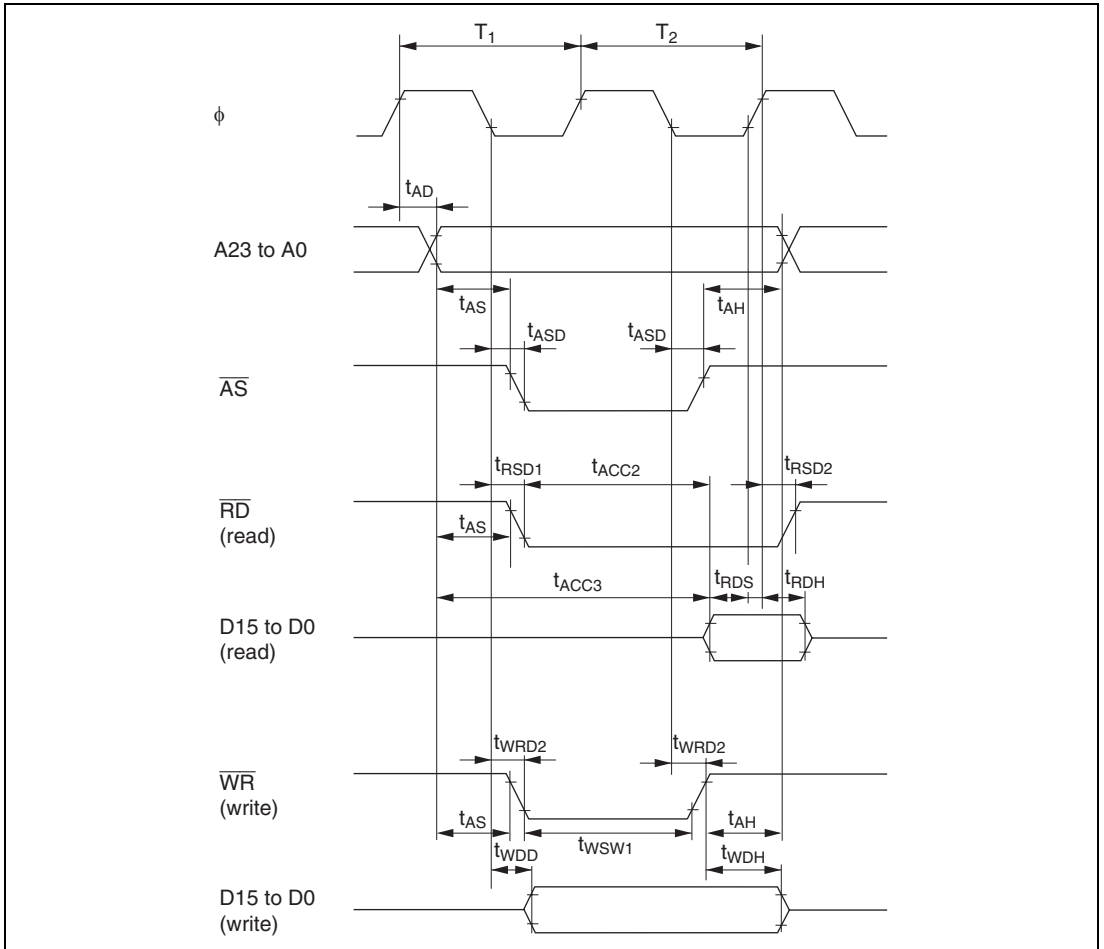


Figure 23.6 Basic Bus Timing (Two-State Access)

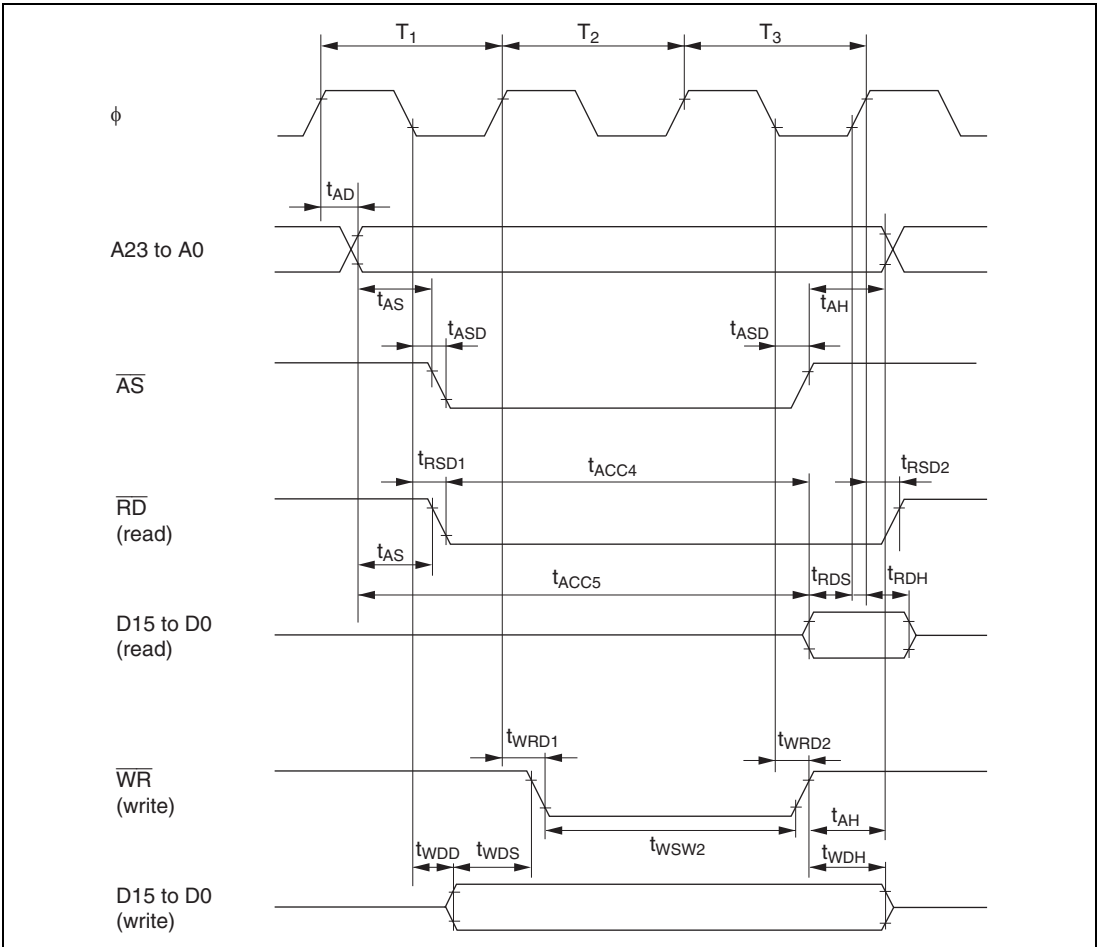
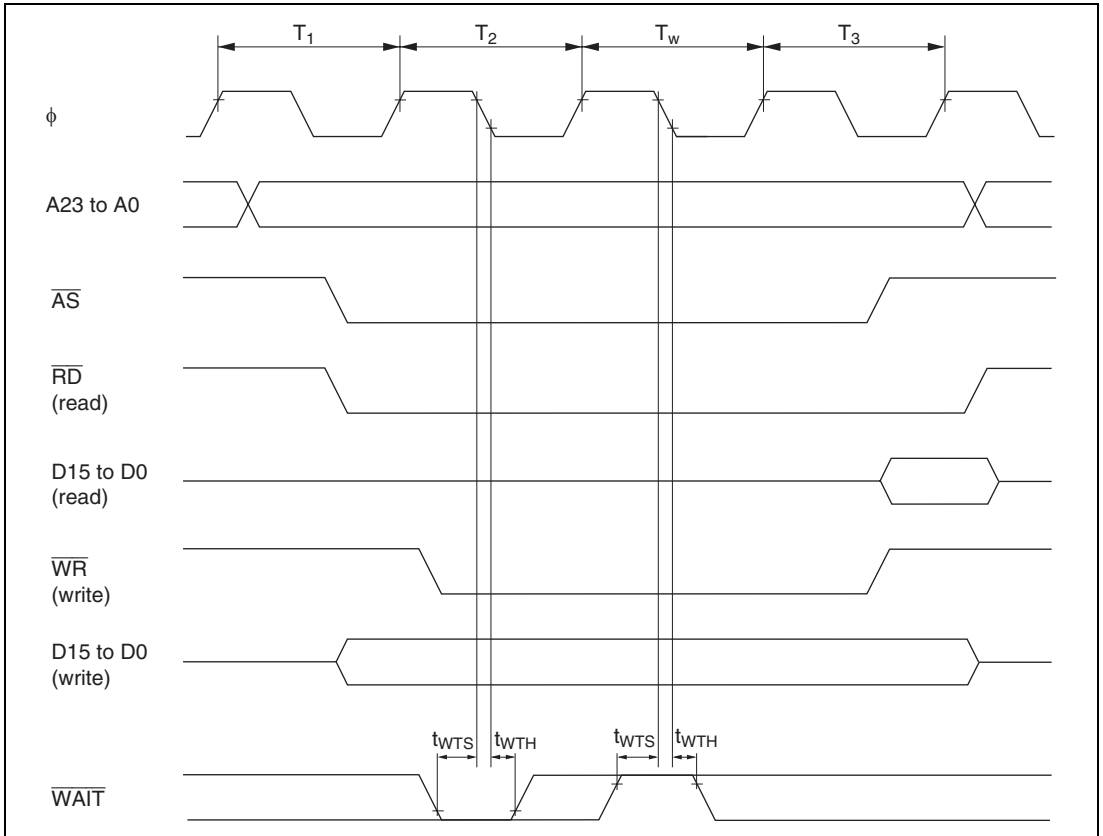
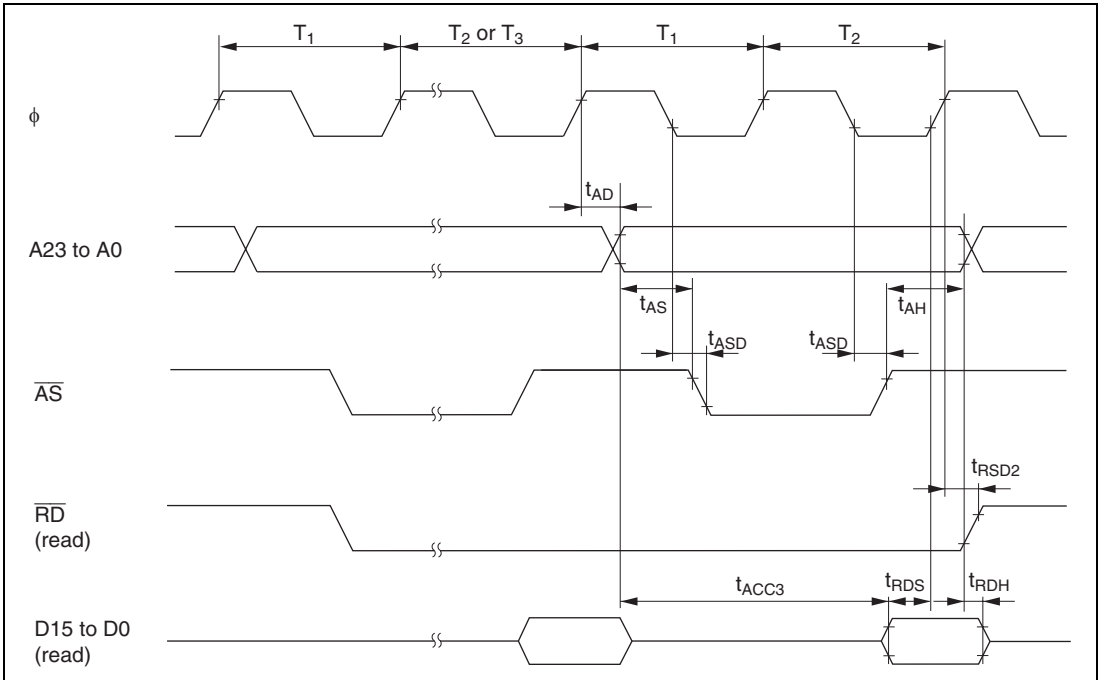


Figure 23.7 Basic Bus Timing (Three-State Access)



**Figure 23.8 Basic Bus Timing (Three-State Access with One Wait State)**



**Figure 23.9 Burst ROM Access Timing (Two-State Access)**

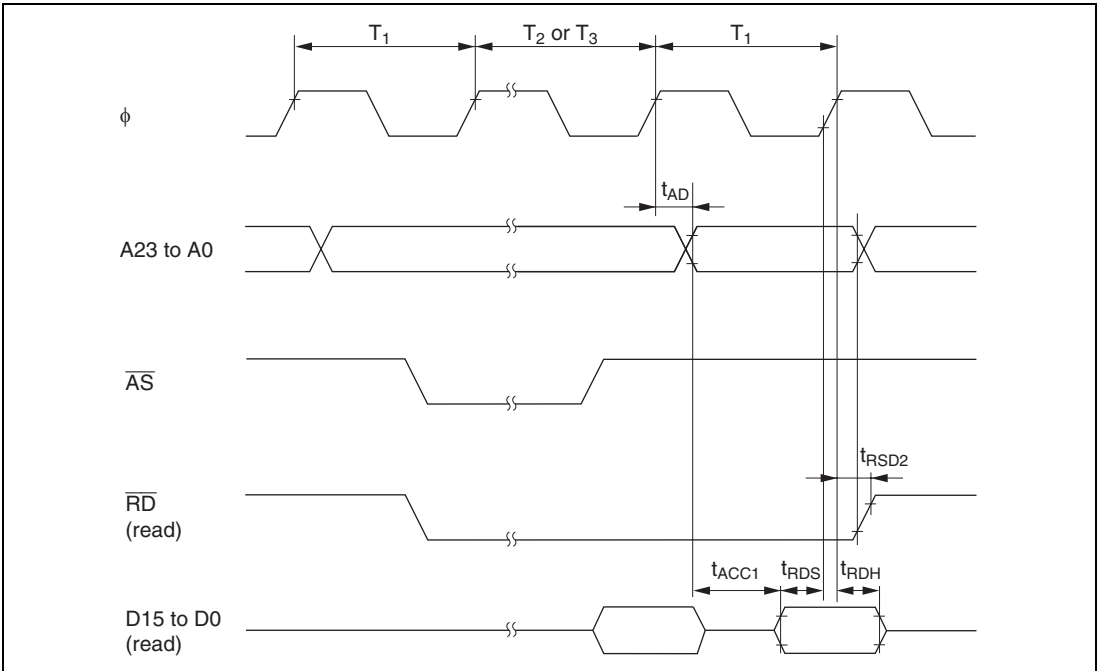


Figure 23.10 Burst ROM Access Timing (Two-State Access)



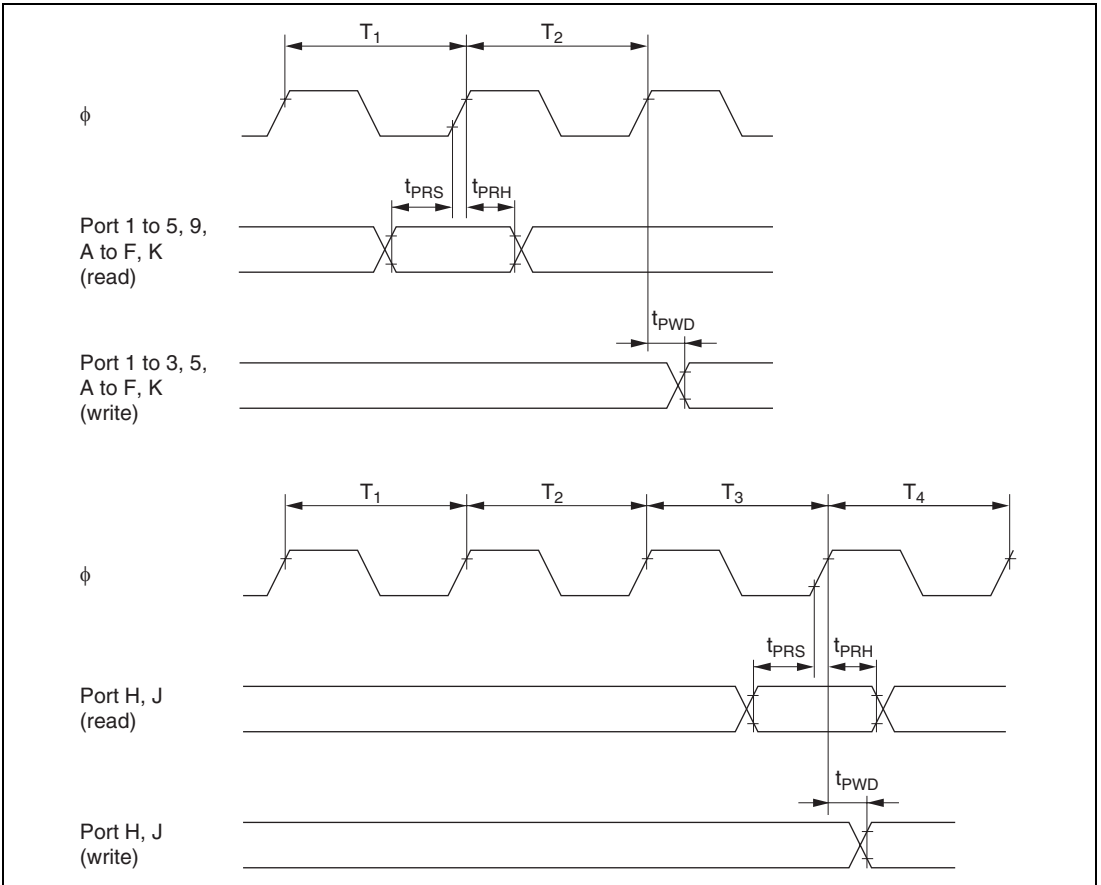
### 23.3.4 Timing of On-Chip Peripheral Modules

Table 23.7 lists the timing of on-chip peripheral modules.

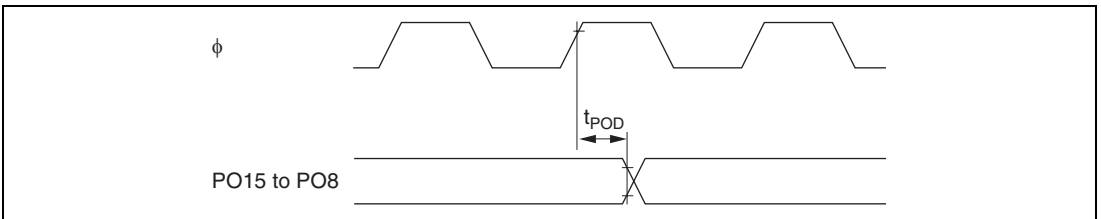
**Table 23.7 Timing of On-Chip Peripheral Modules**

Condition:  $V_{CC} = AV_{CC} = 4.5\text{ V to }5.5\text{ V}$ ,  $LPV_{CC} = 4.5\text{ V to }5.5\text{ V}$ ,  $PWMV_{CC} = 4.5\text{ V to }5.5\text{ V}$ ,  
 $V_{ref} = 4.5\text{ V to }AV_{CC}$ ,  $V_{SS} = PWMV_{SS} = PLLV_{SS} = AV_{SS} = 0\text{ V}$ ,  $T_a = -20^\circ\text{C to }+75^\circ\text{C}$   
 (regular specifications),  $T_a = -40^\circ\text{C to }+85^\circ\text{C}$  (wide-range specifications)

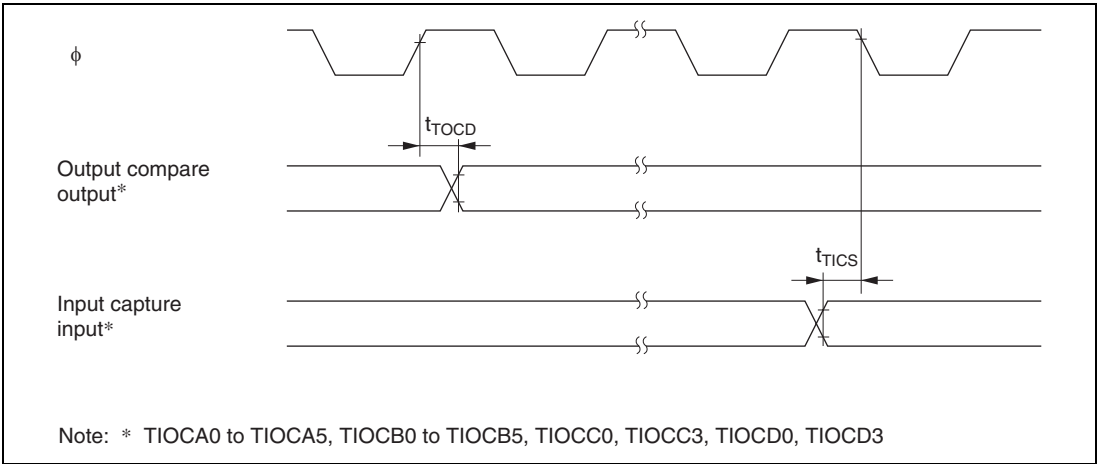
Item		Symbol	Min.	Max.	Unit	Test Conditions
I/O port	Output data delay time	$t_{PWD}$	—	50	ns	Figure 23.11
	Input data setup time	$t_{PRS}$	30	—		
	Input data hold time	$t_{PRH}$	30	—		
PPG	Pulse output delay time	$t_{POD}$	—	50	ns	Figure 23.12
TPU	Timer output delay time	$t_{TOCD}$	—	50	ns	Figure 23.13
	Timer input setup time	$t_{TICS}$	30	—		
	Timer clock input setup time	$t_{TCKS}$	30	—	ns	Figure 23.14
	Timer clock pulse width	Single edge $t_{TCKWH}$	1.5	—	$t_{cyc}$	
	Both edges $t_{TCKWL}$	2.5	—			
PWM	Pulse output delay time	$t_{MPWMOD}$	—	50	ns	Figure 23.15
SCI	Input clock cycle	Asynchronous $t_{Scyc}$	4	—	$t_{cyc}$	Figure 23.16
		Synchronous	6	—		
	Input clock pulse width	$t_{SCKW}$	0.4	0.6	$t_{Scyc}$	
	Input clock rise time	$t_{SCKr}$	—	1.5	$t_{cyc}$	
	Input clock fall time	$t_{SCKf}$	—	1.5		
	Transmit data delay time	$t_{TXD}$	—	50	ns	Figure 23.17
	Receive data setup time (synchronous)	$t_{RXS}$	50	—		
	Receive data hold time (synchronous)	$t_{RXH}$	50	—		
A/D converter	Trigger input setup time	$t_{TRGS}$	50	—	ns	Figure 23.18
HCAN	Transmit data delay time	$t_{HTXD}$	—	100	ns	Figure 23.19
	Transmit data setup time	$t_{HRXS}$	100	—		
	Transmit data hold time	$t_{HRXH}$	100	—		



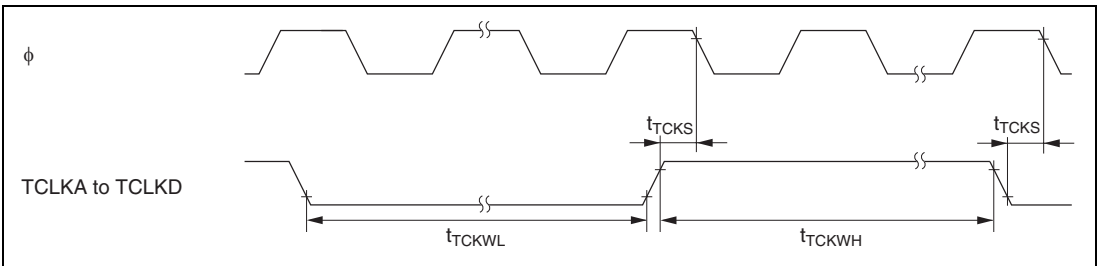
**Figure 23.11 I/O Port Input/Output Timing**



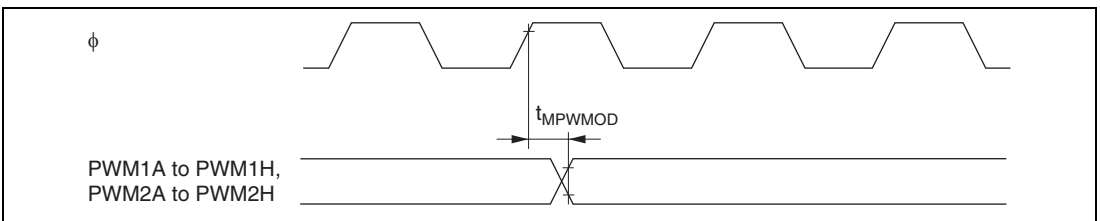
**Figure 23.12 PPG Output Timing**



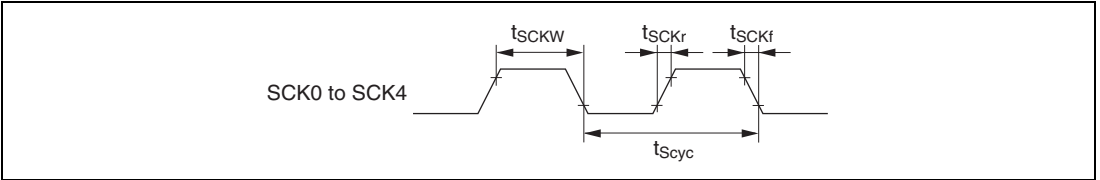
**Figure 23.13 TPU Input/Output Timing**



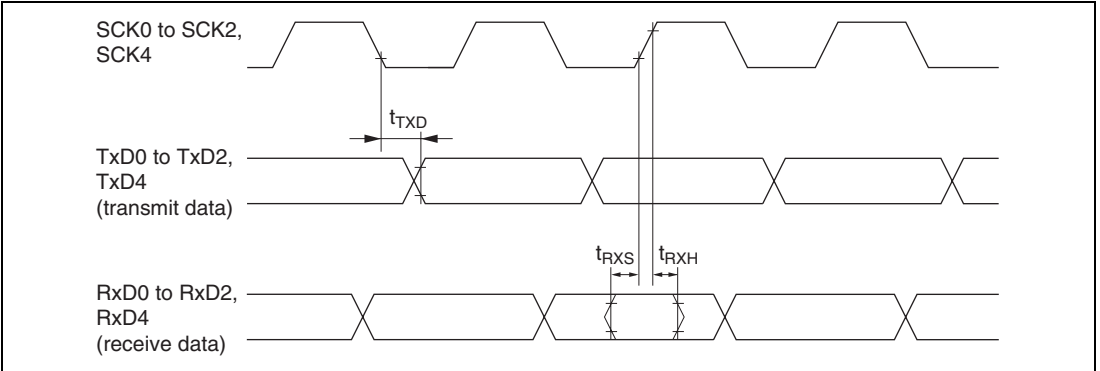
**Figure 23.14 TPU Clock Input Timing**



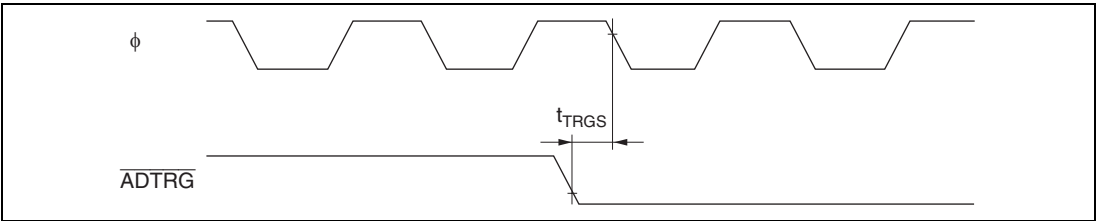
**Figure 23.15 Motor Control PWM Output Timing**



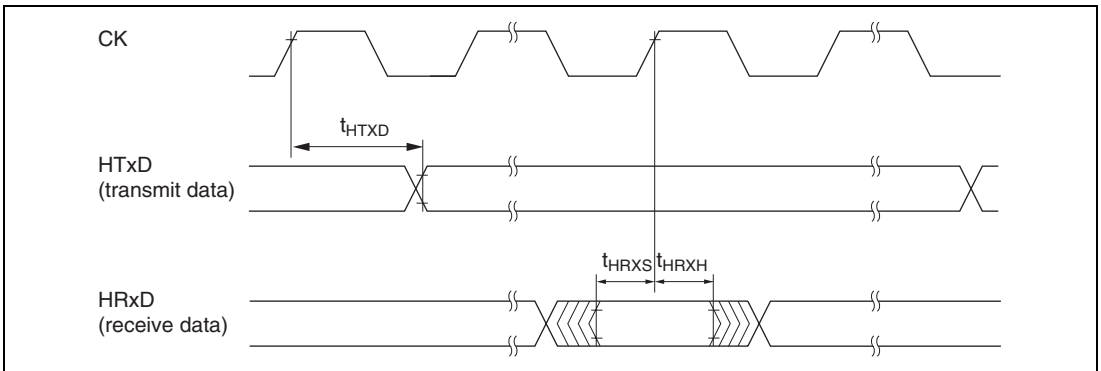
**Figure 23.16 SCK Clock Input Timing**



**Figure 23.17 SCI Input/Output Timing (Clock Synchronous Mode)**



**Figure 23.18 A/D Converter External Trigger Input Timing**

**Figure 23.19 HCAN Input/Output Timing**

## 23.4 A/D Conversion Characteristics

Table 23.8 lists the A/D conversion characteristics.

**Table 23.8 A/D Conversion Characteristics**

Condition:  $V_{CC} = AV_{CC} = 4.5 \text{ V to } 5.5 \text{ V}$ ,  $LPV_{CC} = 4.5 \text{ V to } 5.5 \text{ V}$ ,  $PWMV_{CC} = 4.5 \text{ V to } 5.5 \text{ V}$ ,  
 $V_{ref} = 4.5 \text{ V to } AV_{CC}$ ,  $V_{SS} = PWMV_{SS} = PLLV_{SS} = AV_{SS} = 0 \text{ V}$ ,  $T_a = -20^\circ\text{C to } +75^\circ\text{C}$   
 (regular specifications),  $T_a = -40^\circ\text{C to } +85^\circ\text{C}$  (wide-range specifications)

Item	Condition			Unit
	Min.	Typ.	Max.	
Resolution	10	10	10	bits
Conversion time	10	—	200	$\mu\text{s}$
Analog input capacitance	—	—	20	pF
Permissible signal-source impedance	—	—	5	$\text{k}\Omega$
Nonlinearity error	—	—	$\pm 3.5$	LSB
Offset error	—	—	$\pm 3.5$	LSB
Full-scale error	—	—	$\pm 3.5$	LSB
Quantization	—	$\pm 0.5$	—	LSB
Absolute accuracy	—	—	$\pm 4.0$	LSB

## 23.5 LCD Characteristics

**Table 23.9 LCD Characteristics**

Condition:  $V_{cc} = AV_{cc} = 4.5\text{ V to }5.5\text{ V}$ ,  $LPV_{cc} = 4.5\text{ V to }5.5\text{ V}$ ,  $PWMV_{cc} = 4.5\text{ V to }5.5\text{ V}$ ,  
 $V_{ref} = 4.5\text{ V to }AV_{cc}$ ,  $V_{ss} = PWMV_{ss} = PLLV_{ss} = AV_{ss} = 0\text{ V}$ ,  $T_a = -20\text{ to }+75^\circ\text{C}$   
 (regular specifications),  $T_a = -40\text{ to }+85^\circ\text{C}$  (wide-range specifications)

Item	Symbol	Applicable Pins	Test Conditions	Min.	Typ.	Max.	Unit	Notes
Segment driver step-down voltage	$V_{DS}$	SEG1 to SEG40	$I_D = 2\ \mu\text{A}$	—	—	0.6	V	* <sup>1</sup>
Common driver step-down voltage	$V_{DS}$	COM1 to COM4	$I_D = 2\ \mu\text{A}$	—	—	0.3	V	* <sup>1</sup>
LCD power supply split resistor	$R_{LCD}$		Between V1 and $V_{SS}$	40	300	1000	k $\Omega$	
LCD voltage	$V_{LCD}$	V1		4.5	—	$LPV_{cc}$	V	* <sup>2</sup>

- Notes: 1. Voltage step-down between power supply pins V1, V2, V3, and  $V_{SS}$ , and segment pins, or common pins.
2. If the LCD voltage is provided by an external power supply, the following relationship must be maintained:  $LPV_{cc} \geq V1 \geq V2 \geq V3 \geq V_{SS}$ .

## 23.6 Flash Memory Characteristics

Table 23.10 shows the flash memory characteristics.

**Table 23.10 Flash Memory Characteristics**

Conditions:  $V_{CC} = AV_{CC} = 4.5 \text{ V to } 5.5 \text{ V}$ ,  $LPV_{CC} = 4.5 \text{ V to } 5.5 \text{ V}$ ,  $PWMV_{CC} = 4.5 \text{ V to } 5.5 \text{ V}$ ,  
 $V_{ref} = 4.5 \text{ V to } AV_{CC}$ ,  $V_{SS} = PWMV_{SS} = PLLV_{SS} = AV_{SS} = 0 \text{ V}$ ,  
 $T_a = 0 \text{ to } +75^\circ\text{C}$  (Programming/erasing operating temperature range)

Item	Symbol	Min.	Typ.	Max.	Unit	Test Conditions	
Programming time* <sup>1,*2,*4</sup>	$t_p$	—	10	200	ms/ 128 bytes		
Erase time* <sup>1,*3,*5</sup>	$t_E$	—	100	1200	ms/block		
Reprogramming count	$N_{WEC}$	—	—	100	Times		
Programming	Wait time after SWE bit setting* <sup>1</sup>	$t_{sswe}$	1	1	—	$\mu\text{s}$	
	Wait time after PSU bit setting* <sup>1</sup>	$t_{spsu}$	50	50	—	$\mu\text{s}$	
	Wait time after P bit setting* <sup>1,*4</sup>	$t_{sp30}$	28	30	32	$\mu\text{s}$	Programming time wait
		$t_{sp200}$	198	200	202	$\mu\text{s}$	Programming time wait
		$t_{sp10}$	8	10	12	$\mu\text{s}$	Additional- programming time wait
	Wait time after P bit clear* <sup>1</sup>	$t_{cp}$	5	5	—	$\mu\text{s}$	
	Wait time after PSU bit clear* <sup>1</sup>	$t_{cpsu}$	5	5	—	$\mu\text{s}$	
	Wait time after PV bit setting* <sup>1</sup>	$t_{spv}$	4	4	—	$\mu\text{s}$	
	Wait time after H'FF dummy write* <sup>1</sup>	$t_{spvr}$	2	2	—	$\mu\text{s}$	
	Wait time after PV bit clear* <sup>1</sup>	$t_{cpv}$	2	2	—	$\mu\text{s}$	
Wait time after SWE bit clear* <sup>1</sup>	$t_{cswe}$	100	100	—	$\mu\text{s}$		
Maximum programming count* <sup>1,*4</sup>	$N$	—	—	1000	Times		
Erase	Wait time after SWE bit setting* <sup>1</sup>	$t_{sswe}$	1	1	—	$\mu\text{s}$	
	Wait time after ESU bit setting* <sup>1</sup>	$t_{sesu}$	100	100	—	$\mu\text{s}$	
	Wait time after E bit setting* <sup>1,*5</sup>	$t_{se}$	10	10	100	ms	Erase time wait
	Wait time after E bit clear* <sup>1</sup>	$t_{ce}$	10	10	—	$\mu\text{s}$	



Item		Symbol	Min.	Typ.	Max.	Unit	Test Conditions
Erase	Wait time after ESU bit clear* <sup>1</sup>	$t_{CESU}$	10	10	—	$\mu\text{s}$	
	Wait time after EV bit setting* <sup>1</sup>	$t_{SEV}$	20	20	—	$\mu\text{s}$	
	Wait time after H'FF dummy write* <sup>1</sup>	$t_{SEVR}$	2	2	—	$\mu\text{s}$	
	Wait time after EV bit clear* <sup>1</sup>	$t_{CEV}$	4	4	—	$\mu\text{s}$	
	Wait time after SWE bit clear* <sup>1</sup>	$t_{CSWE}$	100	100	—	$\mu\text{s}$	
	Maximum erase count* <sup>1</sup> :* <sup>5</sup>	N	12	—	120	Times	

- Notes: 1. Make each time setting in accordance with the program or erase algorithm.
2. Programming time per 128 bytes (shows the total period for which the P bit in the flash memory control register (FLMCR1) is set and does not include the programming verification time.)
3. Block erase time (shows the total period for which the E bit in FLMCR1 is set and does not include the erase verification time.)
4. To specify the maximum programming time value ( $t_p$  (max.)) in the 128-byte programming algorithm, set the max. value (1000) for the maximum programming count (N).

The wait time after P bit setting should be changed as follows according to the value of the programming counter (n).

Programming counter (n) = 1 to 6:  $t_{sp30} = 30 \mu\text{s}$

Programming counter (n) = 7 to 1000:  $t_{sp200} = 200 \mu\text{s}$

[In additional programming]

Programming counter (n)= 1 to 6:  $t_{sp10} = 10 \mu\text{s}$

5. For the maximum erase time ( $t_E$  (max.)), the following relationship applies between the wait time after E bit setting ( $t_{se}$ ) and the maximum erase count (N):

$$t_E \text{ (max.)} = \text{Wait time after E bit setting (} t_{se} \text{)} \times \text{maximum erase count (N)}$$

To specify the maximum erase time, the values of ( $t_{se}$ ) and (N) should be set so as to satisfy the above formula.

Examples: When  $t_{se} = 100$  [ms], N = 12 times

When  $t_{se} = 10$  [ms], N = 120 times



# Appendix

## A. I/O Port States in Each Operating State

Port Name	MCU Operating Mode	Power-on Reset	Hardware Standby Mode	Software Standby Mode	Program Execution State, Sleep Mode
Port 1	4 to 7	T	T	Keep	I/O port
Port 2	4 to 7	T	T	Keep	I/O port
Port 3	4 to 7	T	T	Keep	I/O port
Port 4	4 to 7	T	T	T	Input port
Port 5	4 to 7	T	T	Keep	I/O port
Port 9	4 to 7	T	T	T	Input port
Port A	4 and 5	L	T	[Address output, OPE = 0]	[Address output]
	6	T		T	A23 to A16
				[Address output, OPE = 1]	[Segment, common output]
				Keep	SEG40 to SEG37
				[Segment, common output]	COM4 to COM1
				Port	[Otherwise]
				[Otherwise]	I/O port
				Keep	
	7	T	T	[Segment, common output]	[Segment, common output]
				Port	SEG40 to SEG37
				[Otherwise]	COM4 to COM1
				Keep	[Otherwise]
					I/O port

Port Name	MCU Operating Mode	Power-on Reset	Hardware Standby Mode	Software Standby Mode	Program Execution State, Sleep Mode	
Port B	4 and 5	L	T	[Address output, OPE = 0]	[Address output]	
		6	T	T	A15 to A8	
				[Address output, OPE = 1]	[Segment output]	
				Keep	SEG32 to SEG25	
				[Segment output]	[Otherwise]	
				Port	I/O port	
				[Otherwise]		
				Keep		
		7	T	T	[Segment output]	[Segment output]
					Port	SEG32 to SEG25
				[Otherwise]	[Otherwise]	
				Keep	I/O port	
Port C	4 and 5	L	T	[OPE = 0]	A7 to A0	
				T		
					[OPE = 1]	
					Keep	
		6	T	T	[Segment output]	[Segment output]
					Port	SEG24 to SEG17
					[DDR = 1, OPE = 0]	[DDR = 1]
					T	A7 to A0
					[DDR = 1, OPE = 1]	[DDR = 0]
					Keep	Input port
				[DDR = 0]		
				Keep		
	7	T	T	[Segment output]	[Segment output]	
				Port	SEG24 to SEG17	
				[Otherwise]	[Otherwise]	
				Keep	I/O port	

Port Name	MCU Operating Mode	Power-on Reset	Hardware Standby Mode	Software Standby Mode	Program Execution State, Sleep Mode
Port D	4 to 6	T	T	T	Data bus
	7	T	T	[Segment output] Port [Otherwise] Keep	[Segment output] SEG16 to SEG9 [Otherwise] I/O port
Port E	4 to 6 8-bit bus	T	T	[Segment output] Port [Otherwise] Keep	[Segment output] SEG8 to SEG1 [Otherwise] I/O port
		16-bit bus	T	T	T
	7	T	T	[Segment output] Port [Otherwise] Keep	[Segment output] SEG8 to SEG1 [Otherwise] I/O port
PF7/ $\phi$	4 to 6	Clock output	T	[DDR = 0] T	[DDR = 0] T
	7	T		[DDR = 1] H	[DDR = 1] Clock output
PF6/ $\overline{AS}$	4 to 6	H	T	[OPE = 0] T [OPE = 1] H	$\overline{AS}$
	7	T	T	[Segment output] Port [Otherwise] Keep	[Segment output] SEG36 [Otherwise] I/O port

Port Name	MCU Operating Mode	Power-on Reset	Hardware Standby Mode	Software Standby Mode	Program Execution State, Sleep Mode
PF5/ $\overline{\text{RD}}$ , PF4/ $\overline{\text{HWR}}$	4 to 6	H	T	[OPE = 0] T [OPE = 1] H	$\overline{\text{RD}}$ , $\overline{\text{HWR}}$
	7	T	T	[Segment output] Port [Otherwise] Keep	[Segment output] SEG35, SEG34 [Otherwise] I/O port
PF3/ $\overline{\text{LWR}}$	4 to 6	H	T	[OPE = 0] T [OPE = 1] H	$\overline{\text{LWR}}$
	7	T	T	Keep	I/O port
PF2/ $\overline{\text{WAIT}}$	4 to 6	T	T	[Segment output] Port [Otherwise] Keep	[ $\overline{\text{WAITE}} = 1$ ] $\overline{\text{WAIT}}$
	7	T	T	[Segment output] Port [Otherwise] Keep	[Segment output] SEG33 [Otherwise] I/O port
PF0	4 to 7	T	T	Keep	I/O port
Port H	4 to 7	T	T	Keep	I/O port
Port J	4 to 7	T	T	Keep	I/O port
Port K	4 to 7	T	T	[PKFE = 0] Keep	[PKFE = 0] I/O port
				[PKFE = 1]	[PKFE = 1]
				PK7:T, PK6:H	PK7:HRxD1 input PK6:HTxD1 output

<b>Port Name</b>	<b>MCU Operating Mode</b>	<b>Power-on Reset</b>	<b>Hardware Standby Mode</b>	<b>Software Standby Mode</b>	<b>Program Execution State, Sleep Mode</b>
RxD	4 to 7	T	T	T	HRxD0 input
TxD	4 to 7	H	T	H	HTxD0 input

## [Legend]

H: High level

L: Low level

T: High impedance

Keep: Input port becomes high-impedance, and output port retains state

Port: Depends on the port setting (input becomes high-impedance)

DDR: Data direction register

OPE: Output port enable

WAITE: Wait input enable

**B. Product Code Lineup**

<b>Product Type</b>		<b>Product Code</b>	<b>Mark Code</b>	<b>Package (Renesas Package Code)</b>
H8S/2649	F-ZTAT version	HD64F2649	HD64F2649	144-pin QFP (FP-144G)
	Masked ROM version	HD6432649	HD6432649	

---



### C. Package Dimensions

The package dimensions that are shown in the Renesas Semiconductor Package Data Book have priority.

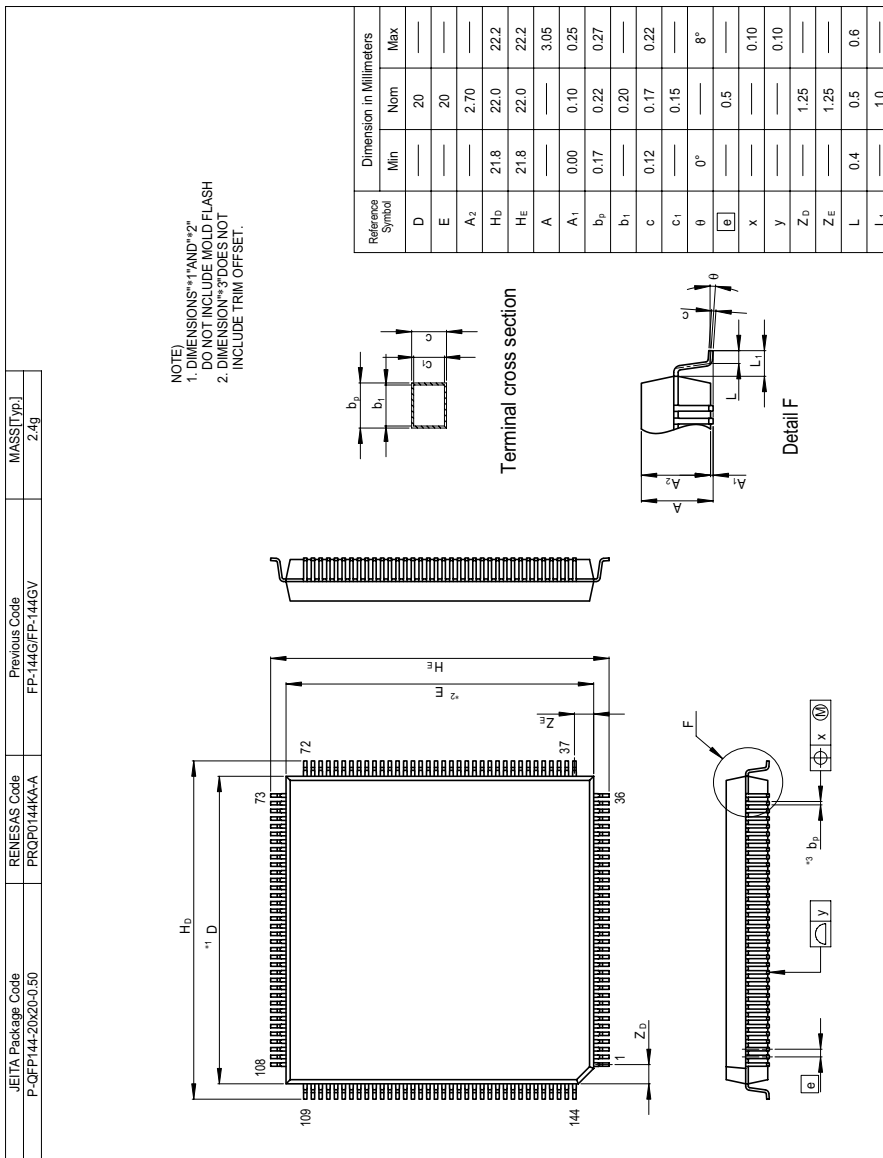


Figure C.1 FP-144G Package Dimensions



# Main Revisions and Additions in this Edition

Item	Page	Revision (See Manual for Details)																				
Section 1 Overview	1	Amended																				
1.1 Features		<b>Body Size</b>																				
<ul style="list-style-type: none"> <li>Compact package</li> </ul>		20.0 × 20.0 mm																				
Section 12 Watchdog Timer (WDT)	342	Amended																				
12.2.2 Timer Control/Status Register (TCSR)		<table border="1"> <thead> <tr> <th>Bit</th> <th>Bit Name</th> <th>Initial Value</th> <th>R/W</th> <th>Description</th> </tr> </thead> <tbody> <tr> <td>2</td> <td>CKS2</td> <td>0</td> <td>R/W</td> <td>Clock Select 2 to 0</td> </tr> <tr> <td>1</td> <td>CKS1</td> <td>0</td> <td>R/W</td> <td></td> </tr> <tr> <td>0</td> <td>CKS0</td> <td>0</td> <td>R/W</td> <td>000: φSUB/2 (cycle: 15.6 ms) 001: φSUB/4 (cycle: 31.3 ms) 010: φSUB/8 (cycle: 62.5 ms) 011: φSUB/16 (cycle: 125 ms) 100: φSUB/32 (cycle: 250 ms) 101: φSUB/64 (cycle: 500 ms) 110: φSUB/128 (cycle: 1 s) 111: φSUB/256 (cycle: 2 s)</td> </tr> </tbody> </table>	Bit	Bit Name	Initial Value	R/W	Description	2	CKS2	0	R/W	Clock Select 2 to 0	1	CKS1	0	R/W		0	CKS0	0	R/W	000: φSUB/2 (cycle: 15.6 ms) 001: φSUB/4 (cycle: 31.3 ms) 010: φSUB/8 (cycle: 62.5 ms) 011: φSUB/16 (cycle: 125 ms) 100: φSUB/32 (cycle: 250 ms) 101: φSUB/64 (cycle: 500 ms) 110: φSUB/128 (cycle: 1 s) 111: φSUB/256 (cycle: 2 s)
Bit	Bit Name	Initial Value	R/W	Description																		
2	CKS2	0	R/W	Clock Select 2 to 0																		
1	CKS1	0	R/W																			
0	CKS0	0	R/W	000: φSUB/2 (cycle: 15.6 ms) 001: φSUB/4 (cycle: 31.3 ms) 010: φSUB/8 (cycle: 62.5 ms) 011: φSUB/16 (cycle: 125 ms) 100: φSUB/32 (cycle: 250 ms) 101: φSUB/64 (cycle: 500 ms) 110: φSUB/128 (cycle: 1 s) 111: φSUB/256 (cycle: 2 s)																		

**Item** **Page** **Revision (See Manual for Details)**

Section 14 Controller Area Network (HCAN)

425 Amended

14.3.1 Master Control Register (MCR)

Bit	Bit Name	Initial Value	R/W	Description
0	MCR0	1	R/W	<p>Reset Request</p> <p>When this bit is set to 1, the HCAN requests reset mode transition. For details, see section 14.4.1, Hardware and Software Resets.</p> <p>[Setting conditions]</p> <ul style="list-style-type: none"> <li>Power-on reset</li> <li>Hardware standby</li> <li>Software standby</li> </ul> <p>• Writing 1 to this bit (software reset)</p> <p>[Clearing condition]</p> <ul style="list-style-type: none"> <li>When 0 is written to this bit while the GSR3 bit in GSR is 1</li> </ul>

14.3.2 General Status Register (GSR)

427 Amended

Bit	Bit Name	Initial Value	R/W	Description
1	GSR1	0	R	<p>Transmit/Receive Warning Flag</p> <p>This bit cannot be modified.</p> <p>[Clearing condition]</p> <ul style="list-style-type: none"> <li>When TEC &lt; 96 and REC &lt; 96</li> <li>TEC ≥ 256 (bus-off state)</li> </ul> <p>[Setting condition]</p> <ul style="list-style-type: none"> <li>When TEC ≥ 96 or REC ≥ 96</li> </ul>

14.3.11 Interrupt Register 438 Amended  
(IRR)

Bit	Bit Name	Initial Value	R/W	Description
10	IRR2	0	R	<p>Remote Frame Request Interrupt Flag</p> <p>Status flag indicating that a remote frame has been received in a mailbox (buffer) when the corresponding bit in MBIMR is 0.</p> <p>[Setting condition]</p> <ul style="list-style-type: none"> <li>When remote frame reception is completed, when corresponding MBIMR = 0</li> </ul> <p>[Clearing condition]</p> <ul style="list-style-type: none"> <li>Clearing of all bits in RFPR (remote request register)</li> </ul>
9	IRR1	0	R	<p>Receive Message Interrupt Flag</p> <p>Status flag indicating that a mailbox (buffer) has received a message normally when the corresponding bit in MBIMR is 0.</p> <p>[Setting condition]</p> <ul style="list-style-type: none"> <li>When data frame or remote frame reception is completed, when corresponding MBIMR = 0</li> </ul> <p>[Clearing condition]</p> <ul style="list-style-type: none"> <li>Clearing of all bits in RXPR (receive complete register)</li> </ul>

14.3.16 Unread Message Status Register (UMSR) 444 Amended

Bit	Bit Name	Initial		Description
		Value	R/W	
15	UMSR7	0	R/(W)*	Each bit indicates that the received message has been overwritten by a new message before being read. [Setting condition] <ul style="list-style-type: none"> <li>When a new message is received before RXPR is cleared</li> </ul> [Clearing condition] <ul style="list-style-type: none"> <li>Writing 1</li> </ul>
:	:	:	:	
0	UMSR8	0	R/(W)*	

14.3.18 Message Control (MC0 to MC15) 448 Amended

Register				
Name	Bit	Bit Name	R/W	Description
MCx[1]	3 to 0	DLC3 to DLC0	R/W	Data Length Code  Set the data length of a data frame or the data length requested in a remote frame within the range of 0 to 8 bits.  0000: 0 byte 0001: 1 byte 0010: 2 bytes 0011: 3 bytes 0100: 4 bytes 0101: 5 bytes 0110: 6 bytes 0111: 7 bytes 1xxx: 8 bytes

**Item** **Page** **Revision (See Manual for Details)**

14.4 Operation 454 Amended

14.4.2 Initialization after Hardware Reset

Figure 14.8 Detailed Description of One-Bit Time

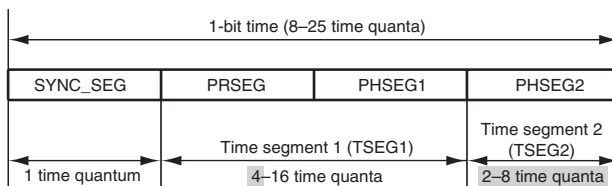


Table 14.3 Setting Range for TSEG1 and TSEG2 in BCR 455

Amended

Note: The time quantum values for TSEG1 and TSEG2 are determined by TSEG value + 1.

\* Settable unless BRP = B'000000.

14.8.2 Reset 471 Amended

Therefore, always initialize mailboxes after a power-on reset, a transition to hardware standby mode, software standby mode, module stop mode, or watch mode. After a power-on reset, recovery from software standby mode, or cancellation of module stop mode, the reset interrupt flag (IRR0) is automatically set.

Section 16 Motor Control PWM Timer (PWM) 503

Amended

16.3.7 PWM Buffer Registers A, C, E, G

Bit	Bit Name	Initial Value	R/W	Description
12	OTS	0	R/W	Output Terminal Select Holds the data to be sent to bit 12 in PWDTR.

16.5 Operation 506 Amended

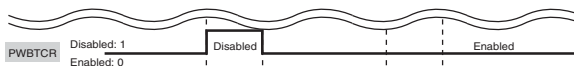
16.5.1 PWM Operation

Activation:

Activation: Setting the CST bit in PWCR to 1 starts counting by PWCNT. When a compare match between PWCNT and PWCYR occurs, data is transferred from the buffer register to the duty register and the CMF bit in PWCR is set to 1. If the IE bit in PWCR has been set to 1 at this time, an interrupt can be requested or the DTC can be activated.

**Item** **Page** **Revision (See Manual for Details)**

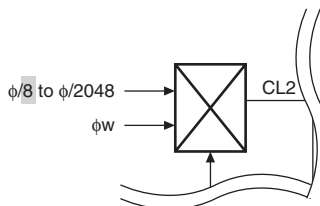
Figure 16.8 Disabling Buffer Transfer 507 Amended



Section 17 LCD Controller/Driver 510 Amended

17.1 Features

Figure 17.1 Block Diagram of LCD Controller/Driver



17.3.2 LCD Control Register (LCR) 516 Amended

Table 17.4 Frame Frequency Selection

	Frame Frequency*1
<b>Operating Clock</b>	<b><math>\phi = 20</math> MHz</b>
$\phi/8$	4880 Hz
$\phi/16$	2440 Hz

Section 19 ROM 542, 543 Amended

19.6.1 Boot Mode

2. SCI\_1 should be set to asynchronous mode, and the transfer format as follows: 8-bit data, 1 stop bit, and no parity.
5. In boot mode, a part of the on-chip RAM area is used by the boot program. The area H'FFE800 to H'FFE7FF is the area to which the ...

Table 19.5 System Clock Frequencies for which Automatic Adjustment of LSI Bit Rate is Possible 544 Amended

Host Bit Rate	System Clock Frequency Range of this LSI
19,200 bps	20 MHz
9,600 bps	8 to 20 MHz
4,800 bps	4 to 20 MHz

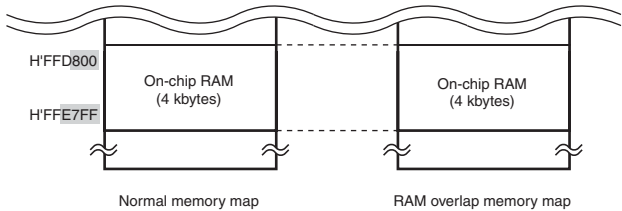
19.7 Flash Memory Emulation in RAM 547 Amended

1. The RAM area to be overlapped is fixed at a 4-kbyte area in the range H'FFD800 to H'FFE7FF.



**Item** **Page** **Revision (See Manual for Details)**

Figure 19.8 Example of RAM Overlap Operation 548 Amended



19.11 Programmer Mode 554 Amended

... Use a PROM programmer which supports the Renesas 256-kbyte flash memory on-chip microcomputer device type (FZTAT256V5A).

Section 21 Power-Down Modes 570 Amended

Table 21.1 LSI Internal States in Each Mode

Function	Medium-Speed			Module				Software		Hardware
	High-Speed	Speed	Sleep	Stop	Watch	Subactive	Subsleep	Standby	Standby	
Peripheral functions	SCI0 to SCI2	Functioning	Functioning	Halted	Halted	Halted	Halted	Halted	Halted	Halted
	SCI4			(retained/ reset)	(retained/ reset)	(retained/ reset)	(retained/ reset)	(reset)	(reset)	
	PWM	Functioning	Functioning	Halted	Halted	Halted	Halted	Halted	Halted	Halted
	HCAN			(reset)	(reset)	(reset)	(reset)	(reset)	(reset)	(reset)
	A/D									

21.1.1 Standby Control Register (SBYCR) 575 The column of "2 MHz" removed

Table 21.3 Standby Time Settings

21.1.3 Module Stop Control Registers A to D 579 Amended

- MSTPCRD

Bit	Bit Name	Initial Value	R/W	Module
4	MSTPD4* <sup>2</sup>	1	R/W	
2	MSTPD2* <sup>2</sup>	1	R/W	

**Item****Page Revision (See Manual for Details)**

Section 22 List of Registers  
22.3 Register States in Each Operating Mode

667, Amended  
673,  
674

Register Abbreviation	Module				Software		Hardware	Module
	Stop	Watch	Subactive	Subsleep	Standby	Standby	Module	
SMR_4	-	-	-	-	-	-	Initialized	SCI_4
BRR_4	-	-	-	-	-	-	Initialized	
SCR_4	-	-	-	-	-	-	Initialized	
SCMR_4	-	-	-	-	-	-	Initialized	
SMR_0	-	-	-	-	-	-	Initialized	SCI_0
BRR_0	-	-	-	-	-	-	Initialized	
SCR_0	-	-	-	-	-	-	Initialized	
SCMR_0	-	-	-	-	-	-	Initialized	
SMR_1	-	-	-	-	-	-	Initialized	SCI_1
BRR_1	-	-	-	-	-	-	Initialized	
SCR_1	-	-	-	-	-	-	Initialized	
SCMR_1	-	-	-	-	-	-	Initialized	
SMR_2	-	-	-	-	-	-	Initialized	SCI_2
BRR_2	-	-	-	-	-	-	Initialized	
SCR_2	-	-	-	-	-	-	Initialized	
SCMR_2	-	-	-	-	-	-	Initialized	

**Item**

**Page Revision (See Manual for Details)**

Section 23 Electrical Characteristics  
[Preliminary]

677, Amended  
678

23.2 DC Characteristics  
Table 23.2 DC Characteristics

						Test	
Item		Symbol	Min.	Typ.	Max.	Unit	Conditions
Output high voltage	PWM1A to PWM1H, PWM2A to PWM2H	$V_{OH}$	$PWMV_{CC}$ - 0.5	—	—	V	$I_{OH} = -15 \text{ mA}$
Output low voltage	All output pins except PWM1A to PWM1H, PWM2A to PWM2H	$V_{OL}$	—	—	0.4	V	$I_{OL} = 1.6 \text{ mA}$
	PWM1A to PWM1H, PWM2A to PWM2H		—	—	0.5		$I_{OL} = 15 \text{ mA}$

679 Amended

Item		Min.	Max.
Current consumption*2	Normal operation	—	80
	Sleep mode	—	65
LCD power supply port power supply current	During operation	—	20
	Standby mode	—	10
		—	80
RAM standby voltage		2.0	—

Notes: 3.  $I_{CC}$  depends on  $V_{CC}$  and  $f$  as follows:

$$I_{CC} \text{ max.} = 31 \text{ (mA)} + 0.45 \text{ (mA/(MHz} \times \text{V))} \times V_{CC} \times f \text{ (normal operation)}$$

$$I_{CC} \text{ max.} = 27 \text{ (mA)} + 0.35 \text{ (mA/(MHz} \times \text{V))} \times V_{CC} \times f \text{ (sleep mode)}$$

Item	Page	Revision (See Manual for Details)
------	------	-----------------------------------

23.3.1 Clock Timing	682	Amended
---------------------	-----	---------

Item	Symbol	Unit
Subclock oscillator settling time		s
Subclock ( $\phi_{SUB}$ ) cycle time	$t_{SUB}$	

23.4 A/D Conversion Characteristics	696	Amended
-------------------------------------	-----	---------

Item	Condition			Unit
	Min.	Typ.	Max.	
Resolution	10	10	10	bits
Conversion time	10	—	200	$\mu$ s

23.5 LCD Characteristics	697	Amended
--------------------------	-----	---------

Item	Max.	Notes
Common driver step-down voltage	0.3	*1

Appendix	705	Amended
----------	-----	---------

Port Name	Power-on Reset
TxD	H

C. Package Dimensions	707	Replaced
-----------------------	-----	----------

Figure C.1 FP-144G  
Package Dimensions

# Index

## Numerics

16-Bit Timer Pulse Unit (TPU) .....	229
Buffer Operation .....	276
Cascaded Operation .....	280
Free-running count operation .....	269
Input Capture .....	272
periodic count operation .....	269
Phase Counting Mode .....	287
PWM Modes .....	282
Synchronous Operation .....	274
toggle output .....	270
Waveform Output	
by Compare Match .....	270

## A

A/D Converter .....	475
A/D Converter Activation .....	295
Conversion Time .....	483
External Trigger .....	485
Scan Mode .....	482
Single Mode .....	482
Address Map .....	58
Address Space .....	22
Addressing Modes .....	43
Absolute Address .....	44
Immediate .....	45
Memory Indirect .....	45
Program-Counter Relative .....	45
Register Direct .....	43
Register Indirect .....	43
Register Indirect	
with Displacement .....	44
Register Indirect	
with Post-Increment .....	44
Register Indirect	
with Pre-Decrement .....	44

## B

Bcc .....	31, 39
Bit Rate .....	454
Break address .....	93, 96
Break conditions .....	96
Bus Controller .....	103
Basic Bus Interface .....	115
Basic Timing .....	118, 127
Burst ROM Interface .....	127
Bus Arbitration .....	134
Data Size and Data Alignment .....	115
Idle Cycle .....	130
Valid Strobes .....	117
Wait Control .....	125
Write Data Buffer Function .....	133

## C

Clock Pulse Generator .....	559
Condition Field .....	42
Condition-Code Register (CCR) .....	26
CPU Operating Modes .....	18
Advanced Mode .....	20
Normal Mode .....	18

## D

Data Transfer Controller .....	137
Activation by Software .....	158
Block Transfer Mode .....	152
Chain Transfer .....	154, 160
DTC Vector Table .....	146
Normal Mode .....	150, 159
Register Information .....	146
Repeat Mode .....	151
software activation .....	155
Software Activation .....	161

vector number for the software activation interrupt.....	144	Control field.....	458
		Data field .....	458
		Data frame .....	463
		DTC Interface .....	469
		HCAN Halt Mode.....	467
		HCAN Sleep Mode.....	464
		mailbox .....	447
		Message Control (MC0 to MC15) .....	447
		Message Data (MD0 to MD15) .....	449
		Message transmission cancellation .....	459
		Message Transmission Method.....	456
		Remote frame.....	463
		remote transmission request bit.....	463
		Unread message overwrite .....	463
<b>E</b>			
Effective Address .....	43, 46		
Effective Address Extension.....	42		
Exception Handling .....	59		
Interrupts.....	65		
Reset Exception Handling .....	61		
Stack Status .....	67		
Traces .....	64		
Trap Instruction .....	66		
Extended Control Register (EXR).....	25		
<b>F</b>			
Flash memory .....	529		
Boot mode .....	542		
Emulation .....	546		
Erase/erase-verify .....	551		
Erasing units .....	534		
Error protection .....	553		
Hardware protection .....	553		
Program/program-verify .....	549		
Software protection.....	553		
User program mode .....	545		
<b>G</b>			
General Registers.....	24		
<b>H</b>			
HCAN.....	421		
11 consecutive recessive bits.....	451		
Arbitration field .....	458, 462		
buffer segment .....	454		
Configuration mode.....	451		
		<b>I</b>	
		Instruction Set.....	31
		Arithmetic Operations Instructions .....	34
		Bit Manipulation Instructions .....	37
		Block Data Transfer Instructions .....	41
		Branch Instructions .....	39
		Data Transfer Instructions.....	33
		Logic Operations Instructions.....	36
		Shift Instructions.....	36
		System Control Instructions.....	40
		Interrupt Control Modes .....	83
		Interrupt Controller .....	69
		Interrupt Exception Handling	
		Vector Table .....	79
		Interrupt Mask Bit.....	26
		interrupt mask level .....	25
		interrupt priority register (IPR).....	69
		Interrupts	
		ADI .....	485
		ERS0/OVR0.....	468
		NMI.....	78
		RM0 .....	468
		RM1 .....	468
		SLE0 .....	468

SWDTEND.....	155
TCIU_1.....	294
TCIU_2.....	294
TCIU_4.....	294
TCIU_5.....	294
TCIV_0.....	294
TCIV_1.....	294
TCIV_2.....	294
TCIV_3.....	294
TCIV_4.....	294
TCIV_5.....	294
TGIA_0.....	294
TGIA_1.....	294
TGIA_2.....	294
TGIA_3.....	294
TGIA_4.....	294
TGIA_5.....	294
TGIB_0.....	294
TGIB_1.....	294
TGIB_2.....	294
TGIB_3.....	294
TGIB_4.....	294
TGIB_5.....	294
TGIC_0.....	294
TGIC_3.....	294
TGID_0.....	294
TGID_3.....	294
WOVI.....	346

## L

LCD controller/driver.....	509
Common drivers.....	513
Duty cycle.....	509
LCD display.....	518
LCD RAM.....	520
List of registers.....	591

## M

MAC instruction.....	55
Motor Control PWM Timer.....	493
PWM Channel.....	506
Multiply-Accumulate Register (MAC).....	27

## O

On-board programming.....	542
Operating Mode Selection.....	53
Operation Field.....	42

## P

PC Break Controller.....	93
PLL Circuit.....	565
Power-Down Modes.....	569
Direct Transitions.....	588
Hardware Standby Mode.....	584
Medium-Speed Mode.....	580
Module Stop Mode.....	587
Sleep Mode.....	581
Software Standby Mode.....	582
Subactive Mode.....	586
Subsleep Mode.....	586
Watch Mode.....	585
Program Counter (PC).....	25
Program/erase protection.....	553
Programmable Pulse Generator.....	315
Non-Overlapping Pulse Output.....	329
output trigger.....	323
Programmer mode.....	554

## R

Register addresses.....	592
Register bits.....	620
Register Field.....	42
Register states in each operating mode ...	648

## Registers

ABACK .....	434, 592, 620, 648	MC .....	447, 592, 621, 648
ABWCR .....	106, 615, 644, 671	MCR .....	425, 592, 620, 648
ADCR .....	481, 618, 647, 674	MD .....	449, 597, 625, 652
ADCSR .....	479, 618, 647, 674	MDCR .....	54, 612, 640, 667
ADDR .....	478, 618, 647, 674	MRA .....	140
ASTCR .....	106, 615, 644, 671	MRB .....	141
BARA .....	94, 612, 640, 668	MSTPCR .....	578, 612, 640, 667
BARB .....	95, 612, 641, 668	NDER .....	318, 612, 641, 668
BCR .....	427, 592, 620, 648	NDR .....	320, 612, 641, 668
BCRA .....	95, 612, 641, 668	P1DDR .....	168, 613, 642, 669
BCRB .....	96, 612, 641, 668	P1DR .....	169, 615, 644, 671
BCRH .....	109, 615, 644, 671	P2DDR .....	178, 613, 642, 669
BCRL .....	110, 615, 644, 671	P2DR .....	179, 615, 644, 671
BRR .....	366, 617, 646, 673	P3DDR .....	188, 613, 642, 669
CRA .....	142	P3DR .....	189, 615, 644, 671
CRB .....	142	P3ODR .....	190, 613, 642, 669
DAR .....	142	P5DDR .....	194, 613, 642, 669
DTCER .....	143, 612, 641, 668	P5DR .....	194, 616, 644, 671
DTVECR .....	144, 612, 641, 668	PADDR .....	197, 613, 642, 669
EBR1 .....	539, 618, 647, 674	PADR .....	198, 616, 644, 671
EBR2 .....	540, 618, 647, 674	PAODR .....	199, 613, 642, 669
FLMCR1 .....	537, 618, 647, 674	PAPCR .....	199, 613, 642, 669
FLMCR2 .....	538, 618, 647, 674	PBDDR .....	202, 613, 642, 669
FLPWCR .....	541, 618, 647, 674	PBDR .....	203, 616, 644, 671
GSR .....	426, 592, 620, 648	PBODR .....	204, 613, 642, 669
HCANMON .....	450, 601, 629, 657	PBPCR .....	204, 613, 642, 669
IER .....	74, 612, 641, 668	PCDDR .....	206, 613, 642, 669
IMR .....	442, 592, 620, 648	PCDR .....	207, 616, 644, 671
IPR .....	73, 615, 643, 671	PCODR .....	208, 613, 642, 669
IRR .....	437, 592, 620, 648	PCPCR .....	208, 613, 642, 669
ISCR .....	75, 612, 641, 668	PCR .....	323, 612, 641, 668
ISR .....	77, 612, 641, 668	PDDDR .....	210, 613, 642, 669
LAFM .....	444, 592, 621, 648	PDDR .....	211, 616, 644, 671
LCR .....	515, 611, 640, 667	PDPCR .....	212, 613, 642, 669
LCR2 .....	517, 611, 640, 667	PEDDR .....	214, 613, 642, 669
LPCR .....	512, 611, 640, 667	PEDR .....	215, 616, 644, 671
LPWCR .....	576, 612, 640, 668	PEPCR .....	216, 613, 642, 669
MBCR .....	430, 592, 620, 648	PFCR .....	111, 612, 640, 667
MBIMR .....	441, 592, 620, 648	PFDDR .....	218, 613, 642, 669
		PFDR .....	219, 616, 644, 671



PHDDR.....	223, 611, 639, 667	SCKCR.....	560, 611, 640, 667
PHDR.....	224, 611, 639, 667	SCMR.....	365, 617, 646, 673
PJDDR.....	225, 611, 639, 667	SCR.....	358, 617, 646, 673
PJDR.....	226, 611, 639, 667	SMR.....	355, 617, 646, 673
PKDDR.....	227, 611, 639, 667	SSR.....	361, 617, 646, 673
PKDR.....	228, 611, 639, 667	SYSCR.....	55, 611, 640, 667
PMR.....	324, 612, 641, 668	TCNT.....	266, 339, 616, 617, 645, 646, 672, 673
PODR.....	319, 612, 641, 668	TCR.....	237, 616, 644, 672
PORT1.....	169, 619, 647, 674	TCSR.....	339, 617, 646, 673
PORT2.....	179, 619, 647, 674	TDR.....	355, 617, 646, 673
PORT3.....	189, 619, 647, 674	TEC.....	443, 592, 620, 648
PORT4.....	193, 619, 647, 674	TGR.....	266, 616, 645, 672
PORT5.....	195, 619, 647, 674	TIER.....	261, 616, 645, 672
PORT9.....	196, 619, 647, 674	TIOR.....	244, 616, 644, 672
PORTA.....	198, 619, 647, 674	TMDR.....	242, 616, 644, 672
PORTB.....	203, 619, 647, 674	TSR.....	263, 355, 616, 645, 672
PORTC.....	207, 619, 647, 674	TSTR.....	266, 615, 643, 670
PORTD.....	211, 619, 647, 674	TSYR.....	267, 615, 643, 670
PORTE.....	215	TXACK.....	433, 592, 620, 648
PORTF.....	219, 619, 647, 674	TXCR.....	432, 592, 620, 648
PORTH.....	224, 611, 639, 667	TXPR.....	431, 592, 620, 648
PORTJ.....	226, 611, 640, 667	UMSR.....	444, 592, 621, 648
PORTK.....	228, 611, 640, 667	WCR.....	107, 615, 644, 671
PWBFR.....	503, 610, 639, 666	Reset.....	61
PWBTCR.....	504, 611, 640, 667		
PWCNT.....	499		
PWCR.....	497, 610, 638, 666		
PWCYR.....	499, 610, 639, 666		
PWDTR.....	500		
PWOCR.....	498, 610, 638, 666		
PWPR.....	499, 610, 638, 666		
RAMER.....	540, 615, 644, 671		
RDR.....	354, 617, 646, 673		
REC.....	443, 592, 620, 648		
RFPR.....	436, 592, 620, 648		
RSR.....	354		
RSTCSR.....	343, 617, 646, 673		
RXPR.....	435, 592, 620, 648		
SAR.....	142		
SBYCR.....	573, 611, 640, 667		
		<b>S</b>	
		Serial Communication Interface.....	351
		Asynchronous Mode.....	373
		bit rate.....	366
		Break.....	414
		framing error.....	380
		Mark State.....	414
		overrun error.....	380
		parity error.....	380
		Stack pointer (SP).....	24

## T

Time Quanta (TQ) .....	455
Trace Bit .....	25
TRAPA instruction .....	45, 66

## W

Watchdog Timer	
Interval Timer Mode .....	346
Overflows .....	344
Watchdog Timer (WDT).....	337

---

**Renesas 16-Bit Single-Chip Microcomputer  
Hardware Manual  
H8S/2649 Group**

Publication Date: Rev.1.00, Sep. 17, 2004  
Rev.2.00, Dec. 05, 2005

Published by: Sales Strategic Planning Div.  
Renesas Technology Corp.

Edited by: Customer Support Department  
Global Strategic Communication Div.  
Renesas Solutions Corp.

---

Renesas Technology Corp. Sales Strategic Planning Div. Nippon Bldg., 2-6-2, Ohte-machi, Chiyoda-ku, Tokyo 100-0004, Japan

---



## RENESAS SALES OFFICES

<http://www.renesas.com>

Refer to "<http://www.renesas.com/en/network>" for the latest and detailed information.

**Renesas Technology America, Inc.**  
450 Holger Way, San Jose, CA 95134-1368, U.S.A  
Tel: <1> (408) 382-7500, Fax: <1> (408) 382-7501

**Renesas Technology Europe Limited**  
Dukes Meadow, Millboard Road, Bourne End, Buckinghamshire, SL8 5FH, U.K.  
Tel: <44> (1628) 585-100, Fax: <44> (1628) 585-900

**Renesas Technology (Shanghai) Co., Ltd.**  
Unit 205, AZIA Center, No.133 Yincheng Rd (n), Pudong District, Shanghai 200120, China  
Tel: <86> (21) 5877-1818, Fax: <86> (21) 6887-7898

**Renesas Technology Hong Kong Ltd.**  
7th Floor, North Tower, World Finance Centre, Harbour City, 1 Canton Road, Tsimshatsui, Kowloon, Hong Kong  
Tel: <852> 2265-6688, Fax: <852> 2730-6071

**Renesas Technology Taiwan Co., Ltd.**  
10th Floor, No.99, Fushing North Road, Taipei, Taiwan  
Tel: <886> (2) 2715-2888, Fax: <886> (2) 2713-2999

**Renesas Technology Singapore Pte. Ltd.**  
1 Harbour Front Avenue, #06-10, Keppel Bay Tower, Singapore 098632  
Tel: <65> 6213-0200, Fax: <65> 6278-8001

**Renesas Technology Korea Co., Ltd.**  
Kukje Center Bldg. 18th Fl., 191, 2-ka, Hangang-ro, Yongsan-ku, Seoul 140-702, Korea  
Tel: <82> (2) 796-3115, Fax: <82> (2) 796-2145

**Renesas Technology Malaysia Sdn. Bhd**  
Unit 906, Block B, Menara Amcorp, Amcorp Trade Centre, No.18, Jalan Persiaran Barat, 46050 Petaling Jaya, Selangor Darul Ehsan, Malaysia  
Tel: <603> 7955-9390, Fax: <603> 7955-9510



# H8S/2649 Group Hardware Manual



Renesas Technology Corp.

2-6-2, Ote-machi, Chiyoda-ku, Tokyo, 100-0004, Japan