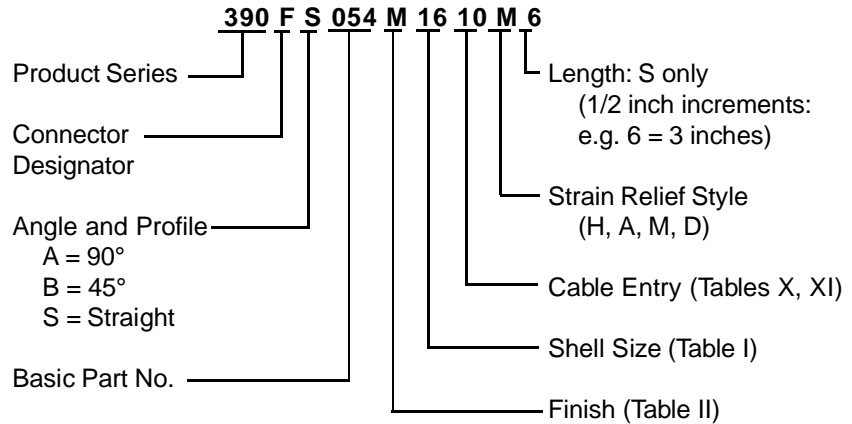


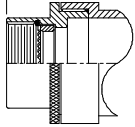
**CONNECTOR DESIGNATORS**  
**A-B\*-C-D-E-F**  
**G-H-J-K-L-S**

\* Conn. Desig. B See Note 4

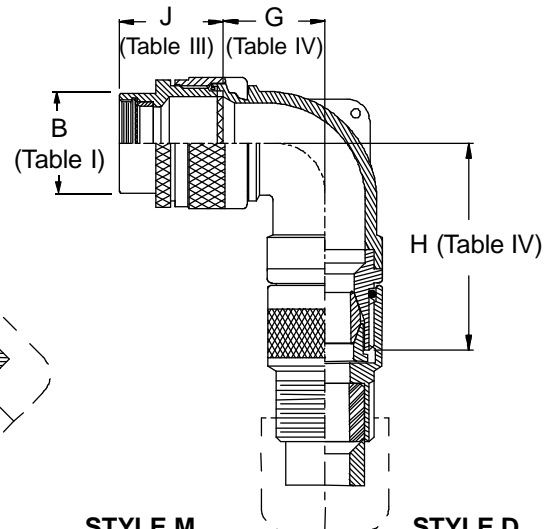
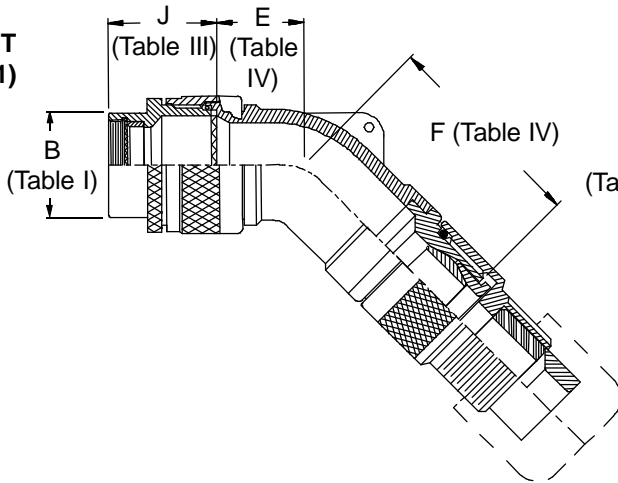
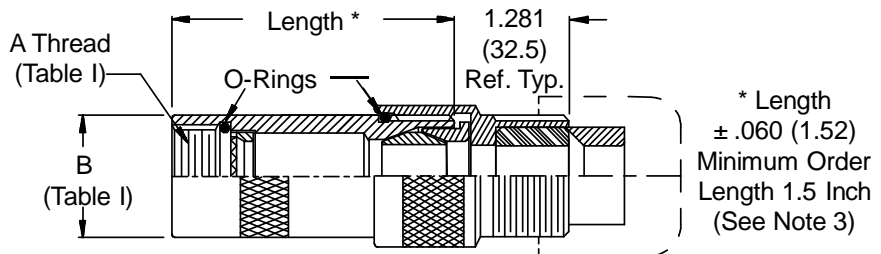
**DIRECT COUPLING**  
**TYPE F INDIVIDUAL**  
**AND/OR OVERALL**  
**SHIELD TERMINATION**



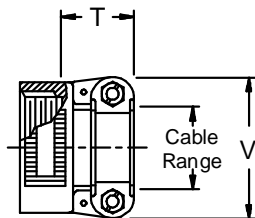
Length ± .060 (1.52)  
 Min. Order Length 2.0 Inch  
 (See Note 3)



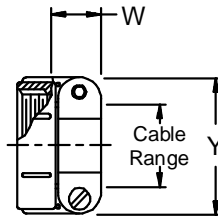
**STYLE 2**  
**(STRAIGHT)**  
 See Note 1)



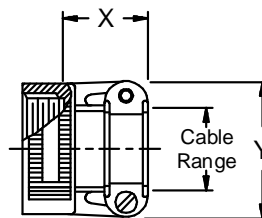
**STYLE H**  
 Heavy Duty  
 (Table X)



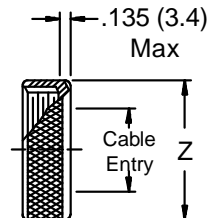
**STYLE A**  
 Medium Duty  
 (Table XI)



**STYLE M**  
 Medium Duty  
 (Table XI)



**STYLE D**  
 Medium Duty  
 (Table XI)



**390-054**  
**Submersible EMI/RFI Cable Sealing Backshell**  
 with Strain Relief  
 Type F - Direct Coupling - Low Profile



See inside back cover fold-out or pages 13 and 14 for Tables I and II.

**TABLE III: FRONT ADAPTER**

Shell Size	J Max - Conn. Designator		
	A-E-F		
	J-H-L-S	D-B-G-K	C
08/09	1.180 (30.0)	1.250 (31.8)	
10/11	1.180 (30.0)	1.250 (31.8)	
12/13	1.180 (30.0)	1.250 (31.8)	1.735 (44.1)
14/15	1.180 (30.0)	1.250 (31.8)	1.915 (48.6)
16/17	1.380 (35.0)	1.560 (39.6)	1.915 (48.6)
18/19	1.380 (35.0)	1.560 (39.6)	1.915 (48.6)
20/21	1.380 (35.0)	1.560 (39.6)	1.915 (48.6)
22/23	1.380 (35.0)	1.560 (39.6)	1.915 (48.6)
24/25	1.380 (35.0)	1.560 (39.6)	1.915 (48.6)
28/29	1.610 (40.9)	1.560 (39.6)	1.915 (48.6)
32/33	1.610 (40.9)	1.750 (44.5)	1.915 (48.6)
36	1.610 (40.9)	1.750 (44.5)	1.915 (48.6)
40	1.610 (40.9)	2.190 (55.6)	1.915 (48.6)

**TABLE IV: ELBOW DIMENSIONS**

Elbow Size	E	F	G	H
	Max	Max	Max	Max
03	.630 (16.0)	2.117 (53.8)	.636 (16.2)	2.067 (52.5)
04	.630 (16.0)	2.117 (53.8)	.636 (16.2)	2.067 (52.5)
06	.630 (16.0)	2.117 (53.8)	.710 (18.0)	2.187 (55.5)
08	.692 (17.6)	2.179 (55.3)	.731 (18.6)	2.207 (39.1)
10	.755 (19.2)	2.862 (72.7)	.825 (21.0)	2.867 (39.6)
12	.848 (21.5)	2.972 (75.5)	.988 (25.1)	2.957 (41.4)
16	1.036 (26.3)	3.159 (80.2)	1.087 (27.6)	3.132 (48.0)
20	1.130 (28.7)	3.368 (85.5)	1.325 (33.7)	3.303 (50.8)
24	1.255 (31.9)	3.408 (86.6)	1.337 (34.0)	3.453 (50.8)
28	1.317 (33.5)	3.553 (90.2)	1.827 (46.4)	3.703 (55.1)
32	1.348 (34.2)	3.646 (92.6)	2.027 (51.5)	3.753 (61.5)

**TABLE X: CABLE ENTRY**

Dash No.	T	V	Cable Range	
	Max	Max	Min	Max
	04	.780 (19.8)	.957 (24.3)	.125 (3.2)
06	.780 (19.8)	1.145 (29.1)	.250 (6.4)	.437 (11.1)
08	.780 (19.8)	1.332 (33.8)	.387 (9.3)	.562 (14.3)
10	.780 (19.8)	1.332 (33.8)	.350 (8.9)	.625 (15.9)
12	.811 (20.6)	1.551 (39.4)	.500 (12.7)	.750 (19.1)
16	.905 (23.0)	1.770 (45.0)	.625 (15.9)	.937 (23.8)
20	1.092 (27.7)	2.113 (53.7)	.875 (22.2)	1.250 (31.8)
24	1.124 (28.5)	2.363 (60.0)	1.000 (25.4)	1.375 (34.9)
28	1.399 (35.5)	2.770 (70.4)	1.250 (31.8)	1.625 (41.3)
32	1.399 (35.5)	3.020 (76.7)	1.437 (36.5)	1.875 (47.6)

1. Metric dimensions (mm) are indicated in parentheses.
2. Cable range is defined as the accommodations range for the wire bundle or cable. Dimensions shown are not intended for inspection criteria.
3. Consult factory for shorter lengths on straight backshells.
4. When using Connector Designator B refer to pages 18 and 19 for part number development.

**TABLE XI: CABLE ENTRY**

Dash No.	W	X	Y	Z	Cable Range	
	Max	Max	Max	Max	Min **	Max
	03*	.437 (11.1)	.760 (19.3)	.843 (21.4)	.630 (16.0)	.156 (4.0)
04*	.437 (11.1)	.760 (19.3)	.906 (23.0)	.755 (19.2)	.188 (4.8)	.312 (7.9)
06*	.500 (12.7)	.760 (19.3)	1.093 (27.8)	.942 (23.9)	.281 (7.1)	.438 (11.1)
08	.563 (14.3)	.760 (19.3)	1.187 (30.1)	1.067 (27.1)	.387 (9.3)	.562 (14.3)
10	.563 (14.3)	.760 (19.3)	1.281 (32.5)	1.192 (30.3)	.375 (9.5)	.625 (15.9)
12	.563 (14.3)	.760 (19.3)	1.500 (38.1)	1.380 (35.1)	.438 (11.1)	.750 (19.1)
16	.656 (16.7)	1.073 (27.3)	1.719 (43.7)	1.535 (39.0)	.625 (15.9)	.938 (23.8)
20	.656 (16.7)	1.323 (33.6)	2.062 (52.4)	1.848 (46.9)	.875 (22.2)	1.250 (31.8)
24	.656 (16.7)	1.323 (33.6)	2.312 (58.7)	2.255 (57.3)	1.000 (25.4)	1.375 (34.9)
28	1.188 (30.2)	1.572 (39.9)	2.719 (69.1)	2.505 (63.6)	1.250 (31.8)	1.625 (41.3)
32*	1.187 (30.1)	1.572 (39.9)	2.969 (75.4)	2.755 (70.0)	1.437 (36.5)	1.875 (47.6)
40*	1.125 (28.6)	1.572 (39.9)	3.531 (89.7)	3.255 (82.7)	1.875 (47.6)	2.375 (60.3)

\* Not available in Style M clamp.      \*\* Not Applicable Style D