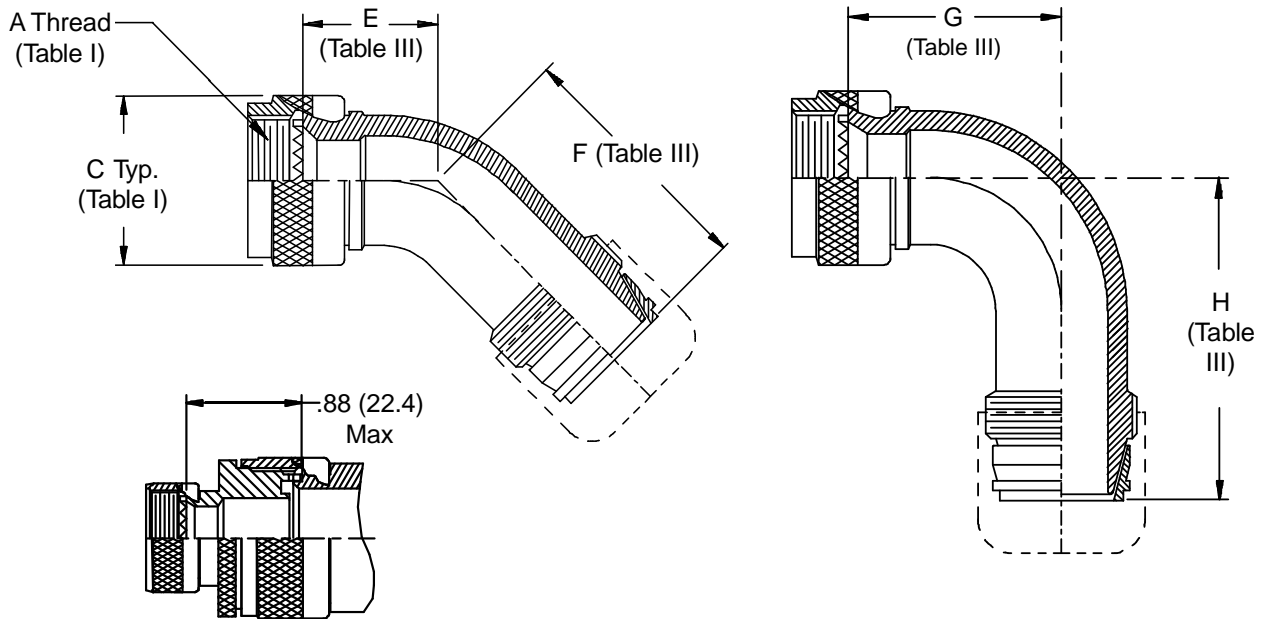
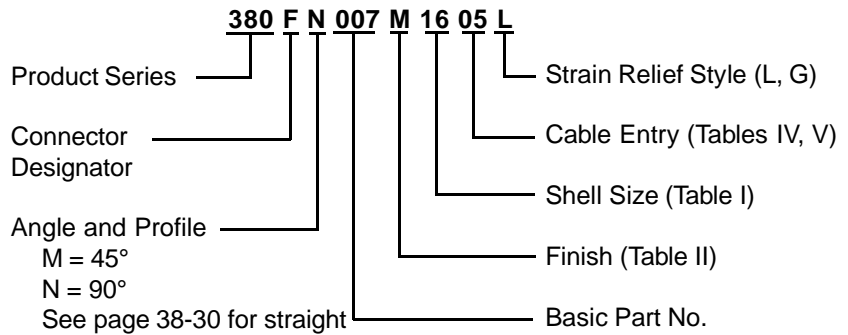


**CONNECTOR
 DESIGNATORS
 A-F-H-L-S
 ROTATABLE
 COUPLING**

**TYPE C OVERALL
 SHIELD TERMINATION**

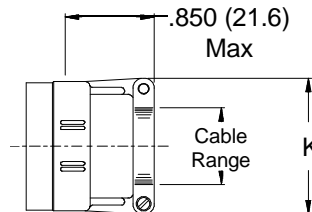


STYLE 2
 (See Note 1)

-445 Now Available with the "NESTOR"

Glenair's Non-Detent, Spring-Loaded, Self-Locking Coupling.
 Add "-445" to Specify This AS85049 Style "N" Coupling Interface.

STYLE L
 Light Duty
 (Table IV)



STYLE G
 Light Duty
 (Table V)

