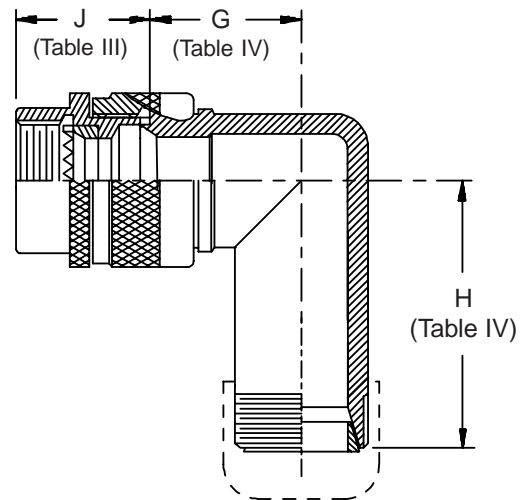
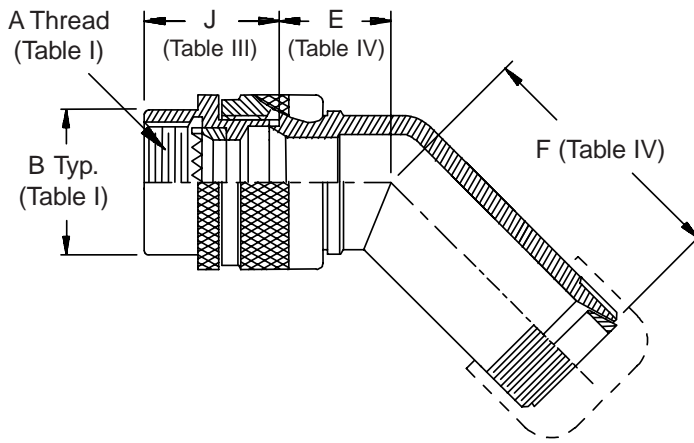
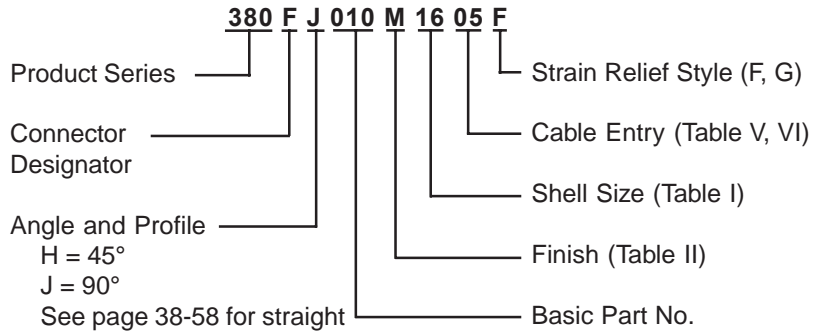


CONNECTOR
DESIGNATORS

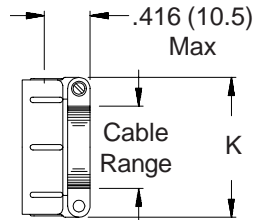
A-B*-C-D-E-F
G-H-J-K-L-S

* Conn. Desig. B See Note 3
DIRECT COUPLING

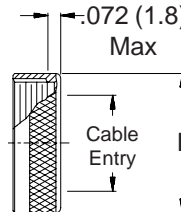
**TYPE D INDIVIDUAL
OR OVERALL SHIELD
TERMINATION**



STYLE F
Light Duty
(Table V)



STYLE G
Light Duty
(Table VI)



380-010
EMI/RFI Non-Environmental Backshell
with Strain Relief
Type D - Direct Coupling - Standard Profile



TABLE III: FRONT ADAPTER			
Shell Size	J Max - Conn. Designator		
	A-E-F J-H-L-S	D-B-G-K	C
08/09	1.180 (30.0)	1.250 (31.8)	
10/11	1.180 (30.0)	1.250 (31.8)	
12/13	1.180 (30.0)	1.250 (31.8)	1.735 (44.1)
14/15	1.180 (30.0)	1.250 (31.8)	1.915 (48.6)
16/17	1.380 (35.0)	1.560 (39.6)	1.915 (48.6)
18/19	1.380 (35.0)	1.560 (39.6)	1.915 (48.6)
20/21	1.380 (35.0)	1.560 (39.6)	1.915 (48.6)
22/23	1.380 (35.0)	1.560 (39.6)	1.915 (48.6)
24/25	1.380 (35.0)	1.560 (39.6)	1.915 (48.6)
28/29	1.610 (40.9)	1.560 (39.6)	1.915 (48.6)
32/33	1.610 (40.9)	1.750 (44.5)	1.915 (48.6)
36	1.610 (40.9)	1.750 (44.5)	1.915 (48.6)
40	1.610 (40.9)	2.190 (55.6)	1.915 (48.6)

See inside back cover fold-out or pages 13 and 14 for unabridged Tables I and II.

1. Metric dimensions (mm) are indicated in parentheses.
2. Cable range is defined as the accommodations range for the wire bundle or cable. Dimensions shown are not intended for inspection criteria.
3. When using Connector Designator B refer to pages 18 and 19 for part number development.

TABLE IV: ELBOW DIMENSIONS				
Elbow Size	E Max	F Max	G Max	H Max
01	.639 (16.2)	.940 (23.9)	.750 (19.1)	1.050 (26.7)
02	.639 (16.2)	.940 (23.9)	.750 (19.1)	1.050 (26.7)
03	.664 (16.9)	.970 (24.6)	.810 (20.6)	1.110 (28.2)
04	.688 (17.5)	.990 (25.1)	.870 (22.1)	1.170 (29.7)
05	.732 (18.6)	1.040 (26.4)	.980 (24.9)	1.300 (33.0)
06	.748 (19.0)	1.050 (26.7)	1.020 (25.9)	1.320 (33.5)
07	.773 (19.6)	1.070 (27.2)	1.080 (27.4)	1.380 (35.1)
08	.800 (20.3)	1.110 (28.2)	1.140 (29.0)	1.460 (37.1)
09	.823 (20.9)	1.140 (29.0)	1.200 (30.5)	1.530 (38.9)
10	1.041 (26.4)	1.310 (33.3)	1.480 (37.6)	1.770 (45.0)

TABLE II: STANDARD FINISHES	
GLENAIR SYMBOL	FINISH
B	Cadmium Plate, Olive Drab
M	Electroless Nickel
NF	Cadmium Plate, Olive Drab Over Electroless Nickel
See Inside Back Cover for Additional Finish Options	

TABLE V: CABLE ENTRY			
Dash No.	K Max	Cable Range	
		Min	Max
02	.968 (24.6)	.125 (3.2)	.250 (6.4)
03	1.046 (26.6)	.250 (6.4)	.375 (9.5)
04	1.156 (29.4)	.312 (7.9)	.500 (12.7)
05	1.218 (30.9)	.437 (11.1)	.625 (15.9)
06	1.343 (34.1)	.562 (14.3)	.750 (19.1)
07	1.468 (37.3)	.687 (17.4)	.875 (22.2)
08	1.593 (40.5)	.812 (20.6)	1.000 (25.4)
10	1.843 (46.8)	1.062 (27.0)	1.250 (31.8)

TABLE VI: CABLE ENTRY		
Dash No.	L Max	Cable Entry
		Max
01	.656 (16.7)	.125 (3.2)
02	.781 (19.8)	.250 (6.4)
03	.906 (23.0)	.375 (9.5)
04	1.031 (26.2)	.500 (12.7)
05	1.156 (29.4)	.625 (15.9)
06	1.281 (32.5)	.750 (19.1)
07	1.406 (35.7)	.875 (22.2)
08	1.531 (38.9)	1.000 (25.4)
09	1.656 (42.1)	1.125 (28.6)
10	1.781 (45.2)	1.250 (31.8)