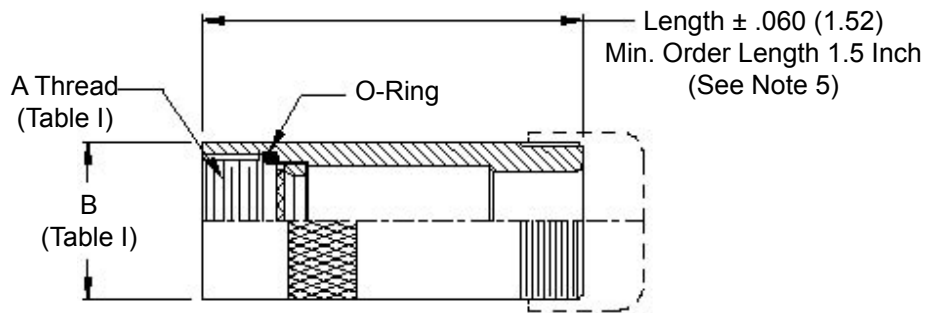
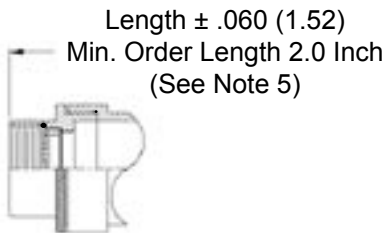
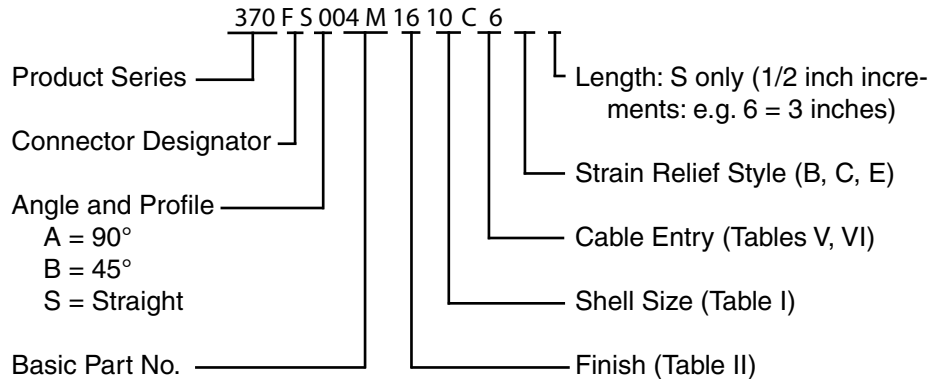


**CONNECTOR
DESIGNATORS**

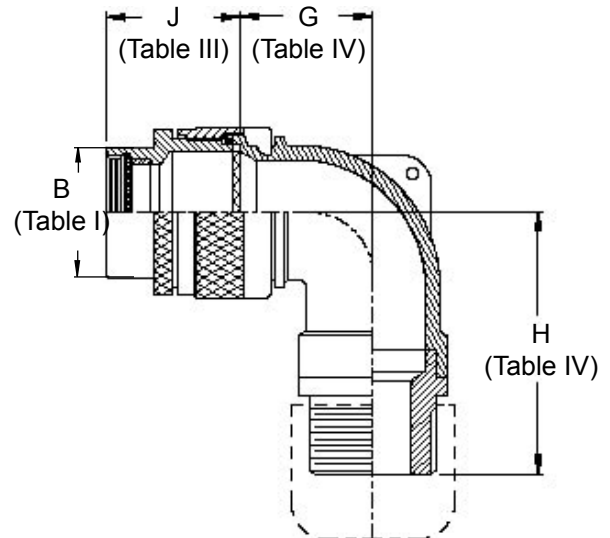
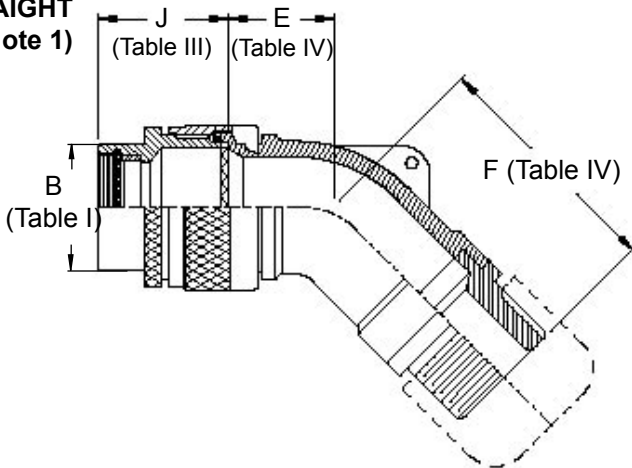
**A-B*-C-D-E-F
G-H-J-K-L-S**

* Conn. Desig. B See Note 6

**DIRECT
COUPLING**



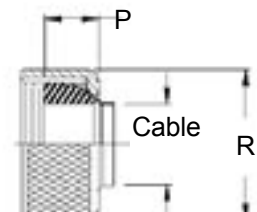
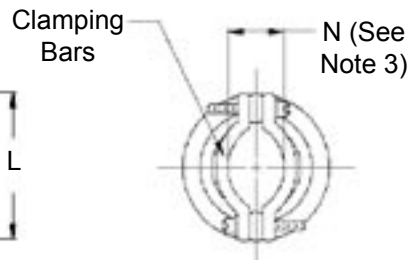
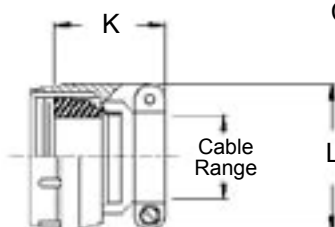
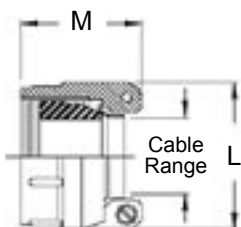
**STYLE 2
(STRAIGHT
See Note 1)**



**STYLE B
(Table V)**

**STYLE C
Medium Duty
(Table V)**

**STYLE E
Medium Duty
(Table VI)**



Water-Tight Cable Sealing Backshell with Strain Relief Low Profile - Direct Coupling



TABLE III: FRONT ADAPTER

Shell Size	J Max - Conn. Designator		
	A-E-F		
	J-H-L-S	D-B-G-K	C
08/09	1.180 (30.0)	1.250 (31.8)	
10/11	1.180 (30.0)	1.250 (31.8)	
12/13	1.180 (30.0)	1.250 (31.8)	1.735(44.1)
14/15	1.180 (30.0)	1.250 (31.8)	1.915(48.6)
16/17	1.380 (35.0)	1.560 (39.6)	1.915(48.6)
18/19	1.380 (35.0)	1.560 (39.6)	1.915(48.6)
20/21	1.380 (35.0)	1.560 (39.6)	1.915(48.6)
22/23	1.380 (35.0)	1.560 (39.6)	1.915(48.6)
24/25	1.380 (35.0)	1.560 (39.6)	1.915(48.6)
28/29	1	1.560 (39.6)	1.915(48.6)
32/33610	(40.9)	1.750 (44.5)	1.915(48.6)
36	1.610 (40.9)	1.750 (44.5)	1.915(48.6)
40	1.610 (40.9)	2.190 (55.6)	1.915(48.6)

See inside back cover
fold-out or pages 13 and
14 for Tables I and II.

TABLE IV: ELBOW DIMENSIONS

Elbow Size	E		F		G		H	
	Max		Max		Max		Max	
04	.567 (14.4)		1.187 (30.1)		.636 (16.2)		1.200 (30.5)	
06	.630 (16.0)		1.250 (31.8)		.710 (18.0)		1.320 (33.5)	
08	.692 (17.6)		1.312 (33.3)		.731 (18.6)		1.340 (34.0)	
10	.755 (19.2)		1.655 (42.0)		.825 (21.0)		1.660 (42.2)	
12	.848 (21.5)		1.765 (44.8)		.988 (25.1)		1.750 (44.5)	
16	1.036 (26.3)		1.952 (49.6)		1.087 (27.6)		1.925 (48.9)	
20	1.130 (28.7)		2.098 (53.3)		1.325 (33.7)		2.033 (51.6)	
24	1.255 (31.9)		2.155 (54.7)		1.337 (34.0)		2.200 (55.9)	
28	1.317 (33.5)		2.250 (57.2)		1.827 (46.4)		2.450 (62.2)	
32	1.348 (34.2)		2.343 (59.5)		2.027 (51.5)		2.450 (62.2)	

TABLE V: CABLE ENTRY

Dash No.	K Max	L Max	N Ref	Cable Range		M Max
				Min	Max	
03	1.219 (31.0)	.812 (20.6)	.135 (3.4)	.156 (4.0)	.219 (5.6)	1.031 (26.2)
04	1.219 (31.0)	.937 (23.8)	.203 (5.2)	.188 (4.8)	.312 (7.9)	1.031 (26.2)
06	1.219 (31.0)	1.062 (27.0)	.285 (7.2)	.281 (7.1)	.438 (11.1)	1.031 (26.2)
08	1.219 (31.0)	1.188 (30.2)	.350 (8.9)	.312 (7.9)	.531 (13.5)	1.031 (26.2)
10	1.281 (32.5)	1.312 (33.3)	.390 (9.9)	.375 (9.5)	.625 (15.9)	1.094 (27.8)
12	1.281 (32.5)	1.562 (39.7)	.460 (11.7)	.500 (12.7)	.750 (19.1)	1.219 (31.0)
16	1.406 (35.7)	1.750 (44.5)	.510 (13.0)	.625 (15.9)	.938 (23.8)	1.219 (31.0)
20	1.656 (42.1)	2.250 (57.2)	.695 (17.7)	.938 (23.8)	1.250 (31.8)	1.344 (34.1)
24	1.906 (48.4)	2.375 (60.3)	.715 (18.2)	1.000 (25.4)	1.375 (34.9)	1.547 (39.3)
28	1.906 (48.4)	2.625 (66.7)	.915 (23.2)	1.250 (31.8)	1.625 (41.3)	1.547 (39.3)
32	2.000 (50.8)	2.812 (71.4)	1.070 (27.2)	1.500 (38.1)	1.875 (47.6)	1.734 (44.0)

TABLE VI: CABLE ENTRY

Dash No.	P Max	R Max	Cable Range	
			Min	Max
03	.739 (18.8)	.812 (20.6)	.156 (4.0)	.219 (5.6)
04	.739 (18.8)	.937 (23.8)	.188 (4.8)	.312 (7.9)
06	.739 (18.8)	1.062 (27.0)	.281 (7.1)	.438 (11.1)
08	.739 (18.8)	1.188 (30.2)	.312 (7.9)	.531 (13.5)
10	.791 (20.1)	1.312 (33.3)	.375 (9.5)	.625 (15.9)
12	.880 (22.4)	1.562 (39.7)	.500 (12.7)	.750 (19.1)
16	.901 (22.9)	1.750 (44.5)	.625 (15.9)	.938 (23.8)
20	1.031 (26.2)	2.250 (57.2)	.938 (23.8)	1.250 (31.8)
24	1.250 (31.8)	2.375 (60.3)	1.000 (25.4)	1.375 (34.9)
28	1.250 (31.8)	2.625 (66.7)	1.250 (31.8)	1.625 (41.3)
32	1.312 (33.3)	2.812 (71.4)	1.500 (38.1)	1.875 (47.6)

1. When maximum cable entry (page 22) is exceeded, Style 2 will be supplied. Function S only.
2. Metric dimensions (mm) are indicated in parentheses.
3. Saddles are bottomed on Clamp Ears.
4. Cable range is defined as the accommodations range for the wire bundle or cable. Dimensions shown are not intended for inspection criteria.
5. Consult factory for shorter lengths on straight backshells.
6. When using Connector Designator B refer to pages 18 and 19 for part number development.