

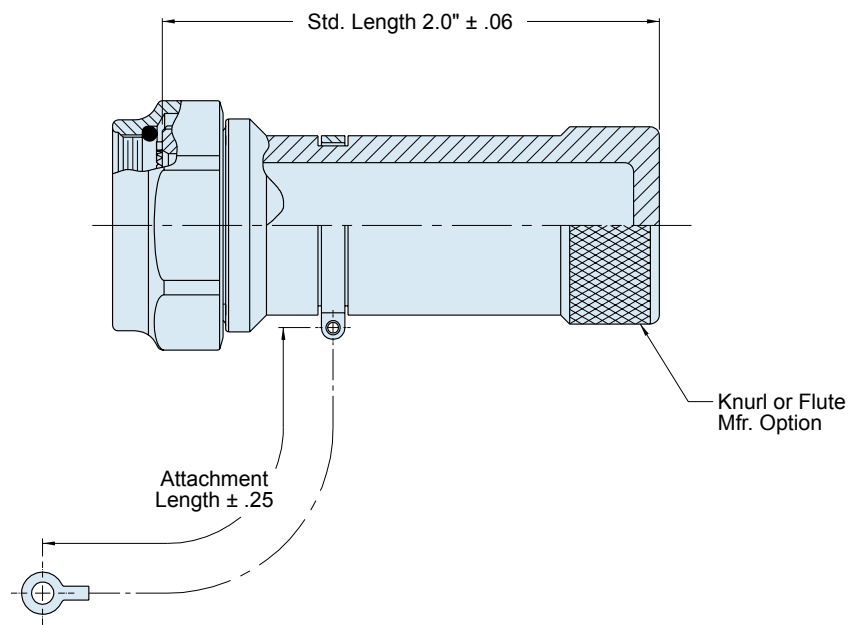
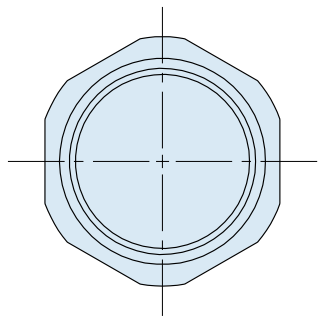
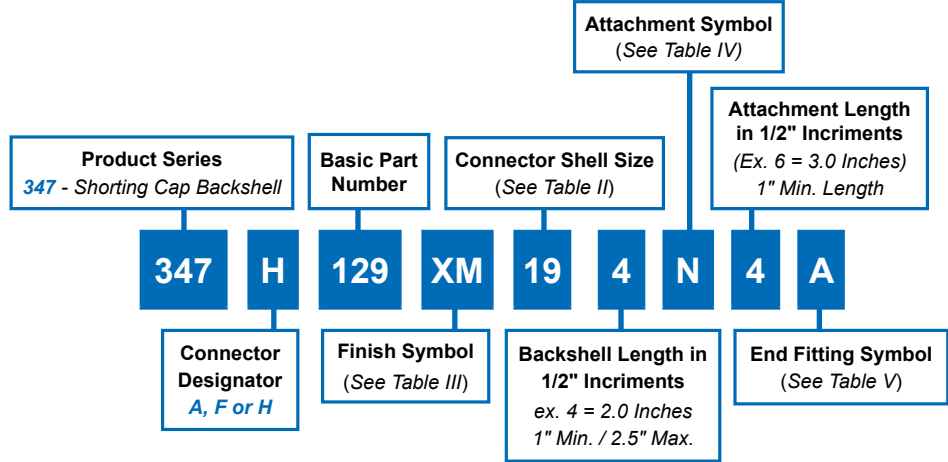


347-129 Composite Shorting Cap Backshell with Lanyard Attachment and Self-Locking Rotatable Coupling

A

CONNECTOR DESIGNATOR:	
A	MIL-DTL-5015, -26482 Series II, and -83723 Series I and III
F	MIL-DTL-38999 Series I, II
H	MIL-DTL-38999 Series III and IV
SELF-LOCKING	
ROTATABLE COUPLING	

Note: See Table I in Intro for Front-End Dimensional Details



- | NOTES | |
|-------|---|
| 1. | Coupling nut supplied unplated. |
| 2. | See Table I in Intro for front-end dimensional details. |

347-129
Composite Shorting Cap Backshell
with Lanyard Attachment and
Self-Locking Rotatable Coupling



TABLE II: SHELL SIZE

A, F	H
08	09
10	11
12	13
14	15
16	17
18	19
20	21
22	23
24	25

TABLE III: FINISH

Symbol	Finish Description
XM	2000 Hour Corrosion Resistant Electroless Nickel
XMT	2000 Hour Corrosion Resistant Ni-PTFE, Nickel-Fluorocarbon Polymer. <i>1000 Hour Grey™</i>
XW	2000 Hour Corrosion Resistant Cadmium Olive Drab Over Electroless Nickel

TABLE IV: ATTACHMENT STYLE

Symbol	Attachment
C	No Attachment, Body Strap Only
D	Bead Chain, CRES/Passivate with Terminal
E	Link Chain, CRES, Passivate with Terminal
F	Wire Rope, Nylon Jacket with Terminal
G	Nylon Rope with Terminal
H	Wire Rope, Teflon Jacket with Terminal
N	Attachment Omitted
R	Wire Rope, PVC Jacket with Terminal
S	#8 Sash Chain, CRES/Passivate
U	Wire Rope, Polyurethane Jacket with Terminal

TABLE V

Symbol	E Diameter
A	.140 (3.6)
B	.167 (4.2)
C	.182 (4.6)
D	.191 (4.9)
E	.125 (3.2)
F	.218 (5.5)