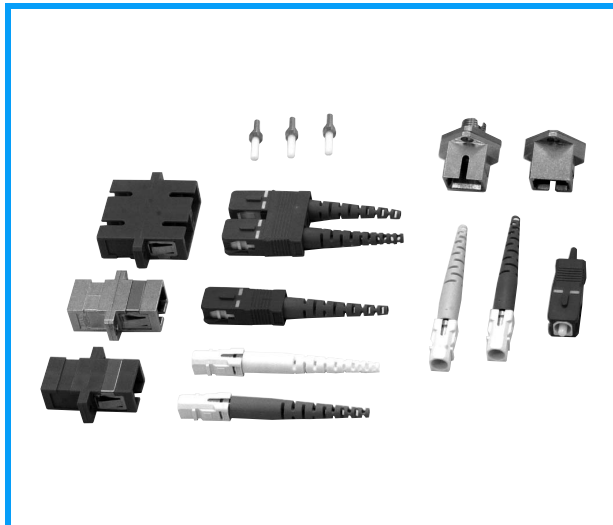


## SC Type Optical Fiber Connector



- SCD Series represents SC type connectors complying with JIS F04 type specifications. These push-on type connectors for optical fibers are available for the equipment used for transmission systems of the optical communication subscriber systems, LAN, and factory and office automation.
- Having the same performance with as the FC type optical connectors (engaged by screw thread), the connectors of this series are designed for the single-mode and multi-mode optical fibers.

### FEATURE

- The push-on mechanism of the connector allows its connection to receptacle and adapter with just one touch.
- Kepler can be fixed by bonding or crimping, improving its workability.
- Compact and light because zirconia ferrule and plastic housing are used.
- It is a PC (Physical Contact) type connector implementing low insert loss and low reflection, attaining stable performance.

### Use

- Medium- and long-distance optical transmission lines, LAN, CATV, factory automation, office automation, measurement apparatuses, links, etc.

## Applicable Standard

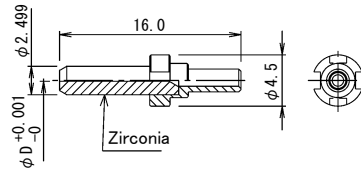
JIS C 5973 (F04 type single-conductor optical fiber connector), IEC60871-14 (single-conductor), IEC60874-19 (two-conductor)

## Specifications

	Fiber	SM 10/125	GI 50/125
Insert loss	Flat polishing	1.0 dB or less	0.6 dB or less
	PC polishing	0.5 dB or less	0.3 dB or less
	PC polishing	22 dB or more	22 dB or more
Reflective attenuation	PC polishing	22 dB or more	22 dB or more
Range of operational temperature	-25°C to +70°C		
Count of repeated attaching and removal	500 times (complying with JIS C-5973)		

## ■ Ferrule

B  
SCD



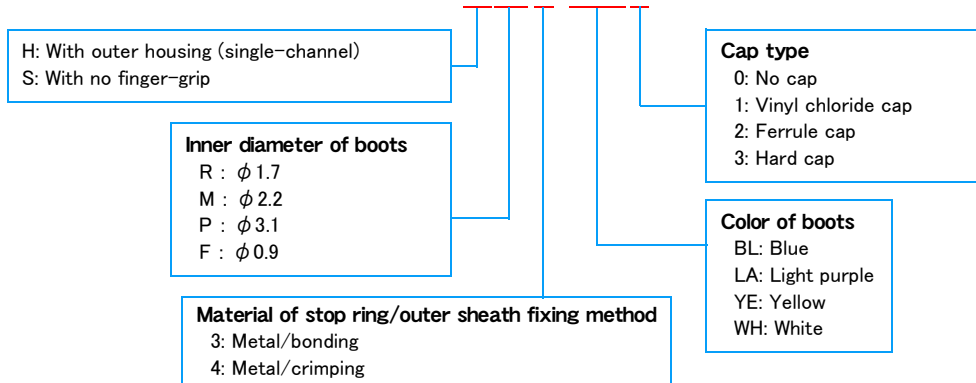
P/N	D	Applicable fiber
SC Ferrule 105	0.125	Single-mode fiber

Other models are also available for various kinds of fibers.

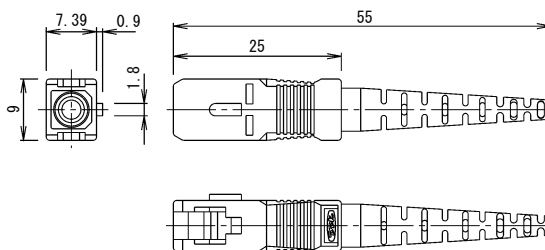
## ■ Plug Housing

B  
SCD

### SCD-PHM1-BL1-CF



### SCD-PH□□-□□□-CF

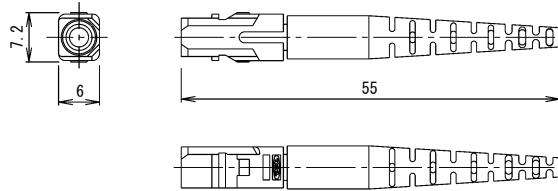


P/N	Outer housing	Inner diameter of boots	Material of stop ring	outer sheath fixing method	Color of boots	Cap type
SCD-PHR3-□□□-CF	Yes	1.7	Metal	Bonding	Blue, light purple, yellow, white	None, vinyl chloride, ferrule, hard
SCD-PHR4-□□□-CF	Yes	1.7	Metal	Crimping	Blue, light purple, yellow, white	None, vinyl chloride, ferrule, hard
SCD-PHM3-□□□-CF	Yes	2.2	Metal	Bonding	Blue, light purple, yellow, white	None, vinyl chloride, ferrule, hard
SCD-PHM4-□□□-CF	Yes	2.2	Metal	Crimping	Blue, light purple, yellow, white	None, vinyl chloride, ferrule, hard
SCD-PHP3-□□□-CF	Yes	3.1	Metal	Bonding	Blue, light purple, yellow, white	None, vinyl chloride, ferrule, hard
SCD-PHP4-□□□-CF	Yes	3.1	Metal	Crimping	Blue, light purple, yellow, white	None, vinyl chloride, ferrule, hard
SCD-PHF-□□□-CF	Yes	0.9	Metal	—	Blue, light purple, yellow, white	None, vinyl chloride, ferrule, hard

Note: This plug housing has no ferrule.

## ■ Plug Housing

### SCD-PS□□-□□□-CF

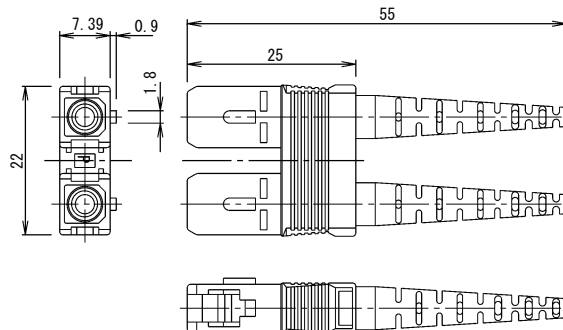
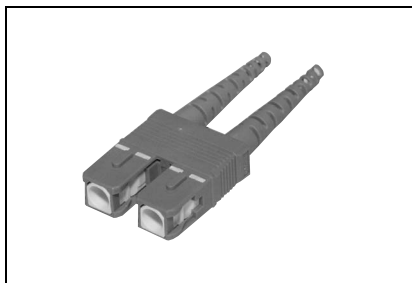


B  
SCD

P/N	Outer housing	Inner diameter of boots	Material of stop ring	outer sheath fixing method	Color of boots	Cap type
SCD-PSR3-□□□-CF	None	1.7	Metal	Bonding	Blue, light purple, yellow, white	None, vinyl chloride, ferrule, hard
SCD-PSR4-□□□-CF	None	1.7	Metal	Crimping	Blue, light purple, yellow, white	None, vinyl chloride, ferrule, hard
SCD-PSM3-□□□-CF	None	2.2	Metal	Bonding	Blue, light purple, yellow, white	None, vinyl chloride, ferrule, hard
SCD-PSM4-□□□-CF	None	2.2	Metal	Crimping	Blue, light purple, yellow, white	None, vinyl chloride, ferrule, hard
SCD-PSP3-□□□-CF	None	3.1	Metal	Bonding	Blue, light purple, yellow, white	None, vinyl chloride, ferrule, hard
SCD-PSP4-□□□-CF	None	3.1	Metal	Crimping	Blue, light purple, yellow, white	None, vinyl chloride, ferrule, hard
SCD-PSF-□□□-CF	None	0.9	Metal	—	Blue, light purple, yellow, white	None, vinyl chloride, ferrule, hard

Note: This plug housing has no ferrule.

### SCD-PD□□-□□□-CF ANSI-compatible tandem type

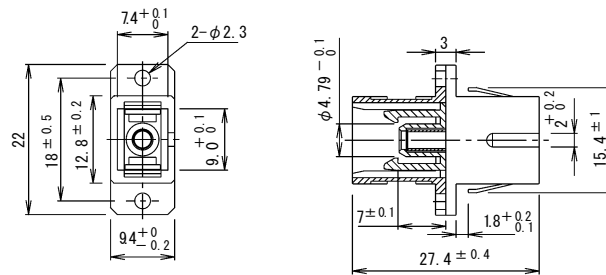
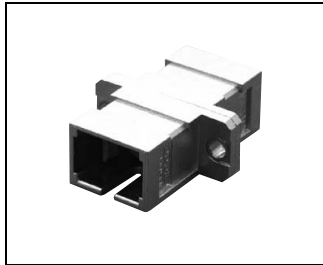


P/N	Outer housing	Inner diameter of boots	Material of stop ring	outer sheath fixing method	Color of boots	Cap type
SCD-PDR3-□□□-CF	Yes	1.7	Metal	Bonding	Blue, light purple, yellow, white	None, vinyl chloride, ferrule, hard
SCD-PDR4-□□□-CF	Yes	1.7	Metal	Crimping	Blue, light purple, yellow, white	None, vinyl chloride, ferrule, hard
SCD-PDM3-□□□-CF	Yes	2.2	Metal	Bonding	Blue, light purple, yellow, white	None, vinyl chloride, ferrule, hard
SCD-PDM4-□□□-CF	Yes	2.2	Metal	Crimping	Blue, light purple, yellow, white	None, vinyl chloride, ferrule, hard
SCD-PDP3-□□□-CF	Yes	3.1	Metal	Bonding	Blue, light purple, yellow, white	None, vinyl chloride, ferrule, hard
SCD-PDP4-□□□-CF	Yes	3.1	Metal	Crimping	Blue, light purple, yellow, white	None, vinyl chloride, ferrule, hard

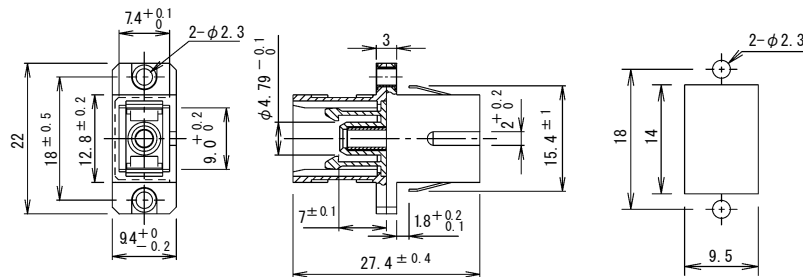
Note: This plug housing has no ferrule.

## Adapter

### Metal Type



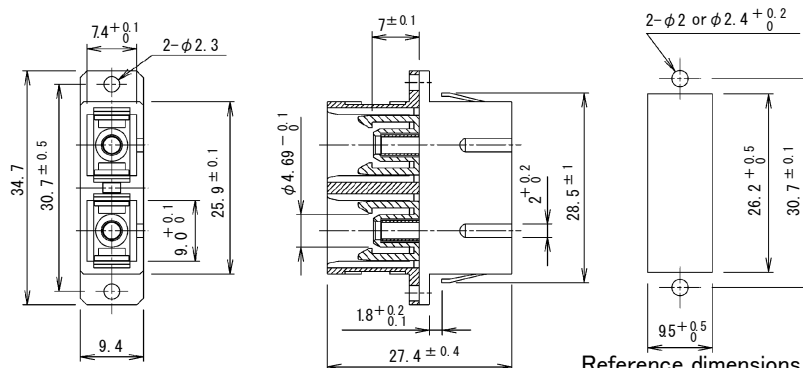
### Resin Type



Reference dimensions of mounting holes

P/N	Material of shell	Split sleeve	Sleeve holder
SCD-AA-100	Zn die-cast	Zirconia	PPS resin
SCD-AA-005	Zn die-cast	Zirconia	PBT resin
SCD-AA-013	Zn die-cast	Phosphoric brass	PPS resin
SCD-AA-001	Zn die-cast	Phosphoric brass	PBT resin
SCD-AA-014	Synthetic resin	Zirconia	PPS resin
SCD-AA-012	Synthetic resin	Zirconia	PBT resin
SCD-AA-011	Synthetic resin	Phosphoric brass	PPS resin
SCD-AA-004	Synthetic resin	Phosphoric brass	PBT resin

### Duplex Resin Type



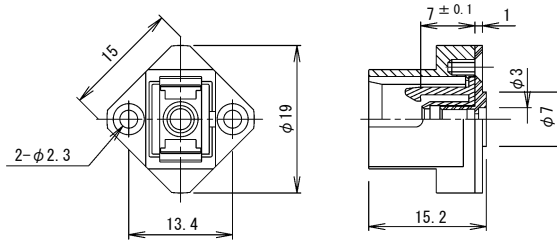
Reference dimensions of mounting holes

P/N	Material of shell	Split sleeve	Sleeve holder
SCD-AC-001	Synthetic resin	Phosphoric brass	PBT resin

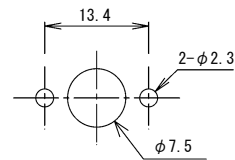
## Receptacle

**B**
**SCD**

### Metal Type



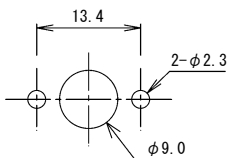
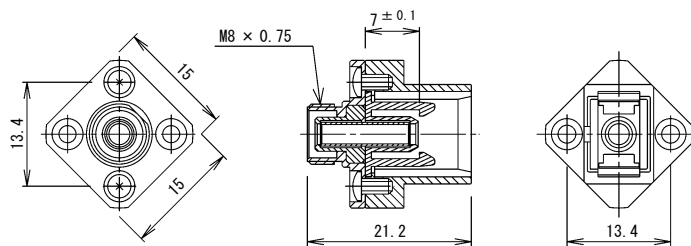
P/N	Applicable fiber
SCD-RA-001	Multi-mode fiber
SCD-RA-101	Single-mode fiber
SCD-RA-002	For multi-mode (for devices)



Reference dimensions of mounting holes

## Conversion Adapter

### SCD-AA-002



Reference dimensions of mounting holes

## Cap

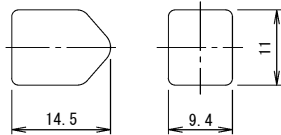
### Plug Cap

B  
SCD

SC cap 1



Material: Vinyl chloride

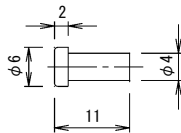


Ferrule cap

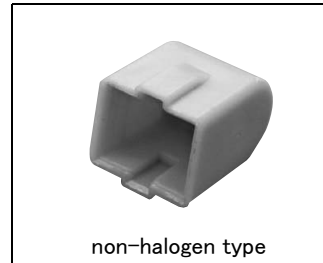


non-halogen type

Material: Polypropylene (UL94-V0)

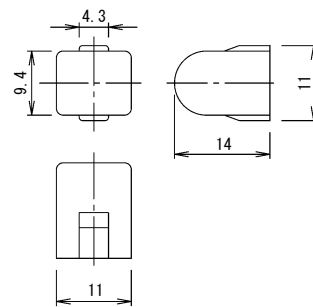


SC hard cap



non-halogen type

Material: Polypropylene (UL94-V0)



### Receptacle Cap

SC cap 2



Material: Ethylenepropylene rubber

