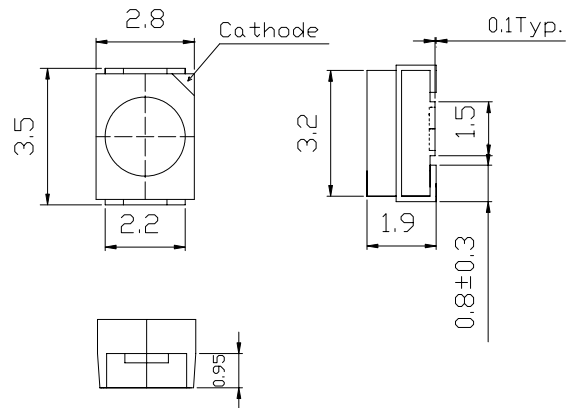


■Features

- High Luminous PLCC2 Top SMD LEDs
- 3.5x2.8x1.9mm Standard Directivity
- Superior Weather-resistance
- UV Resistant Epoxy
- Water Clear Type

■Applications

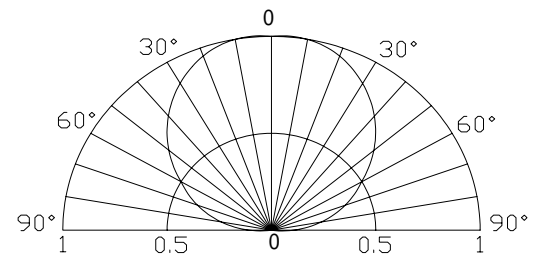
- Traffic Signal
- Backlighting
- Signal and channel letter
- Other Lighting

■Outline Dimension

■Absolute Maximum Rating

(Ta=25 °C)

| Item | Symbol | Value | Unit |
|----------------------------|-----------|------------|------|
| DC Forward Current | I_F | 50 | mA |
| Pulse Forward Current* | I_{FP} | 120 | mA |
| Reverse Voltage | V_R | 5 | V |
| Power Dissipation | P_D | 120 | mW |
| Operating Temperature | T_{opr} | -30 ~ +85 | |
| Storage Temperature | T_{stg} | -40 ~ +100 | |
| Lead Soldering Temperature | T_{sol} | 260 /5sec | - |

*Pulse width Max.10ms Duty ratio max 1/10

■Directivity

■Electrical -Optical Characteristics

(Ta=25 °C)

| Item | Symbol | Condition | Min. | Typ. | Max. | Unit |
|---------------------|-----------------|------------|------|------|------|---------|
| DC Forward Voltage | V_F | $I_F=20mA$ | 1.8 | 2.1 | 2.4 | V |
| DC Reverse Current | I_R | $V_R=5V$ | - | - | 10 | μA |
| Domi. Wavelength* | λ_D | $I_F=20mA$ | 600 | 605 | 610 | nm |
| Luminous Intensity* | I_v | $I_F=20mA$ | - | 1000 | - | mcd |
| 50% Power Angle | $2\theta_{1/2}$ | $I_F=20mA$ | - | 120 | - | deg |

 *1 Tolerance of dominant wavelength is $\pm 1nm$

 *2 Tolerance of luminous intensity is $\pm 15\%$
■Maximum Forward Current
