

# AS85049/88, AS85049/89, and AS85049/90 Banding Backshells

Glenair Connector  
Designator H

MIL-DTL-38999  
Series III & IV,  
EN3645

## M85049/88-17 P 02

Basic Part No.: \_\_\_\_\_  
 M85049/88 = Straight  
 M85049/89 = 45°  
 M85049/90 = 90°  
 Shell Size \_\_\_\_\_  
 Entry Size \_\_\_\_\_  
 Finish and Material \_\_\_\_\_

### Self Locking Coupling

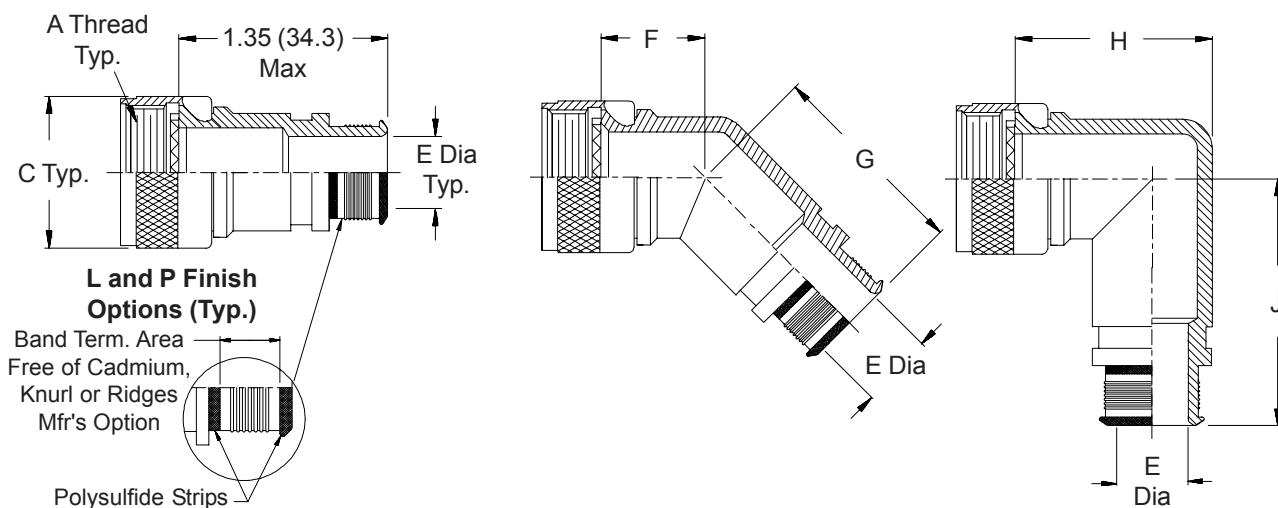


TABLE I

Shell Size	A Thread Class 2B	C Dia Max	E Dia Cable Entry				F Max	G Max	H Max	J Max
			Size 02		Size 03					
			±.010	(.3)	±.010	(.3)				
9	M12 X 1 - 6H	.86 (21.8)	N/A	.250 (6.4)	1.01 (25.7)	1.16 (29.5)	1.375 (34.9)	1.417 (36.0)		
11	M15 X 1 - 6H	.99 (25.1)	N/A	.312 (7.9)	1.03 (26.2)	1.19 (30.2)	1.437 (36.5)	1.480 (37.6)		
13	M18 X 1 - 6H	1.16 (29.5)	.312 (7.9)	.438 (11.1)	1.06 (26.9)	1.21 (30.7)	1.562 (39.7)	1.553 (39.4)		
15	M22 X 1 - 6H	1.28 (32.5)	.438 (11.1)	.562 (14.3)	1.08 (27.4)	1.24 (31.5)	1.687 (42.8)	1.614 (41.0)		
17	M25 X 1 - 6H	1.41 (35.8)	.500 (12.7)	.625 (15.9)	1.11 (28.2)	1.26 (32.0)	1.750 (44.5)	1.678 (42.6)		
19	M28 X 1 - 6H	1.52 (38.6)	.625 (15.9)	.750 (19.1)	1.12 (28.4)	1.27 (32.3)	1.875 (47.6)	1.733 (44.0)		
21	M31 X 1 - 6H	1.64 (41.7)	.625 (15.9)	.812 (20.6)	1.15 (29.2)	1.30 (33.0)	1.938 (49.2)	1.796 (45.6)		
23	M34 X 1 - 6H	1.77 (45.0)	.688 (17.5)	.938 (23.8)	1.17 (29.7)	1.33 (33.8)	2.062 (52.4)	1.859 (47.2)		
25	M37 X 1 - 6H	1.89 (48.0)	.750 (19.1)	1.000 (25.4)	1.20 (30.5)	1.35 (34.3)	2.125 (54.0)	1.919 (48.7)		

1. For complete dimensions see applicable Military Specification.

2. Metric dimensions (mm) are indicated in parentheses.

TABLE II

Finish Option Aluminum Material	Finish Option Composite Material	Finish
G	Not Available	Electroless Nickel (Space Grade)
N	M	Electroless Nickel
P	L	Cadmium Olive Drab Over Electroless Nickel with Polysulfide Sealant Strips
W	J	1,000 Hour Cadmium Olive Drab Over Electroless Nickel