

AS85049/15 and AS85049/16 Qwik-Ty® Strain Reliefs



Qwik-Ty®
Strain Reliefs

Glenair Connector
Designator H

MIL-DTL-38999
Series III & IV,
EN3645

Self-Locking
Coupling

M85049/15 G 11 W

Basic Part No.
M85049/15 = 45°
M85049/16 = 90°

Configuration
G = Self-Locking with
Ground Lug
S = Self-Locking without
Ground Lug

Finish
N = Electroless Nickel
W = 1,000 Hour Cadmium Olive Drab
Over Electroless Nickel

Shell Size

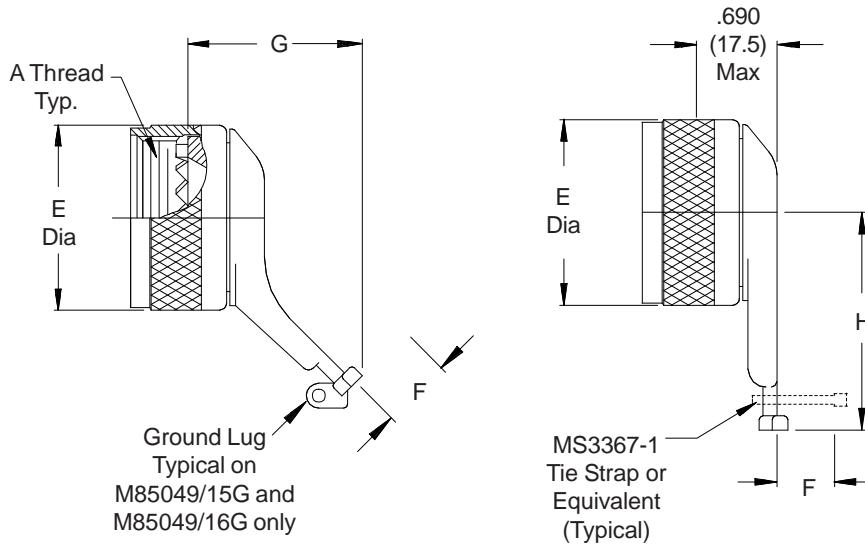


TABLE I

Shell Size	A Thread Class 2B	E Dia Max	F Max Cable Entry	M85049/15S G Max	M85049/15G G Max	M85049/16 H Max
9	M12 X 1 - 6H	.86 (21.8)	.264 (6.7)	1.03 (26.2)	1.21 (30.7)	1.22 (31.0)
11	M15 X 1 - 6H	.94 (23.9)	.392 (10.0)	1.03 (26.2)	1.21 (30.7)	1.29 (32.8)
13	M18 X 1 - 6H	1.16 (29.5)	.506 (12.9)	1.03 (26.2)	1.39 (35.3)	1.62 (41.1)
15	M22 X 1 - 6H	1.28 (32.5)	.631 (16.0)	1.09 (27.7)	1.39 (35.3)	1.66 (42.2)
17	M25 X 1 - 6H	1.41 (35.8)	.756 (19.2)	1.11 (28.2)	1.39 (35.3)	1.72 (43.7)
19	M28 X 1 - 6H	1.52 (38.6)	.845 (21.5)	1.21 (30.7)	1.39 (35.3)	1.72 (43.7)
21	M31 X 1 - 6H	1.64 (41.7)	.970 (24.6)	1.26 (32.0)	1.39 (35.3)	1.79 (45.5)
23	M34 X 1 - 6H	1.77 (45.0)	1.095 (27.8)	1.30 (33.0)	1.39 (35.3)	1.85 (47.0)
25	M37 X 1 - 6H	1.89 (48.0)	1.220 (31.0)	1.34 (34.0)	1.39 (35.3)	1.91 (48.5)

1. For complete dimensions see applicable Military Specification.
2. Metric dimensions (mm) are indicated in parentheses.