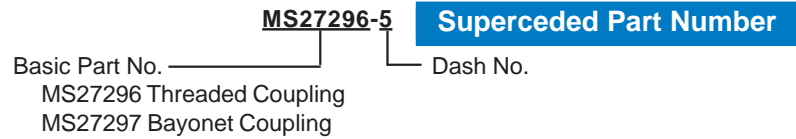
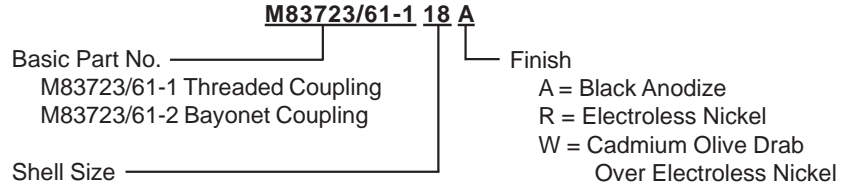


M83723/61, MS27296 and MS27297 Dummy Stowage Receptacles



Dummy
Stowage
Receptacles

Mating Connector MIL-DTL-26500



M83723/61-1 MS27296

M83723/61-2 MS27297

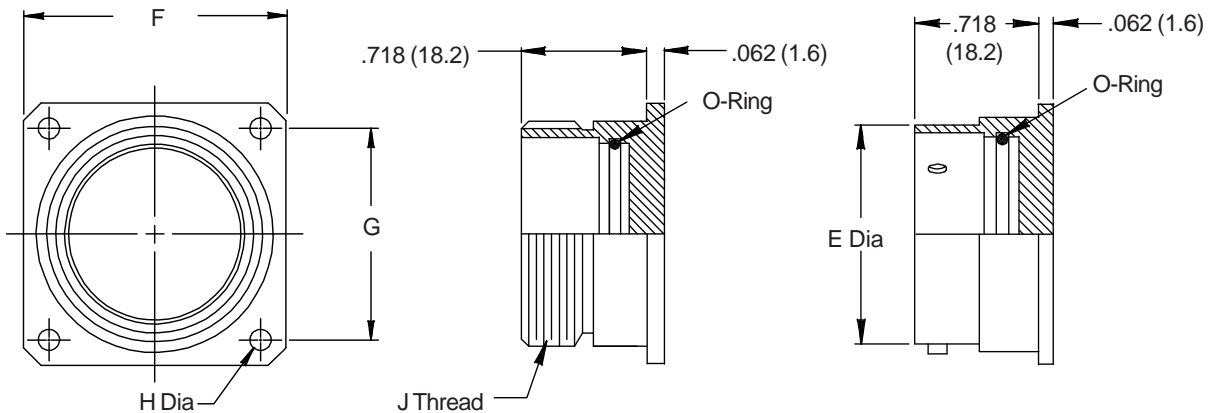


TABLE I

M83723 Shell Size	MS27296 MS27297 Dash No.	E Max Dia	F Dim	G Dim	H Max Dia	J Thread
8	7	.561 (14.2)	.812 (20.6)	.594 (15.1)	.125 (3.2)	9/16 - 24 UNEF
10	1	.696 (17.7)	.937 (23.8)	.719 (18.3)	.125 (3.2)	11/16 - 24 UNEF
12	2	.875 (22.2)	1.031 (26.2)	.812 (20.6)	.125 (3.2)	7/8 - 20 UNEF
14	3	.935 (23.7)	1.125 (28.6)	.906 (23.0)	.125 (3.2)	15/16 - 20 UNEF
16	4	1.062 (27.0)	1.250 (31.8)	.969 (24.6)	.125 (3.2)	1 1/16 - 18 UNEF
18	5	1.187 (30.1)	1.343 (34.1)	1.062 (27.0)	.125 (3.2)	1 3/16 - 18 UNEF
20	8	1.312 (33.3)	1.437 (36.5)	1.156 (29.4)	.125 (3.2)	1 5/16 - 18 UNEF
22	6	1.437 (36.5)	1.562 (39.7)	1.250 (31.8)	.125 (3.2)	1 7/16 - 18 UNEF
24	9	1.562 (39.7)	1.703 (43.3)	1.375 (34.9)	.154 (3.9)	1 9/16 - 18 UNEF

1. For complete dimensions see applicable Military Specification.
2. Metric dimensions (mm) are indicated in parentheses.
3. MS27296 and MS27297 finish is black anodize