

# Miniature 10 Base-T Isolation Transformer with Center Taps

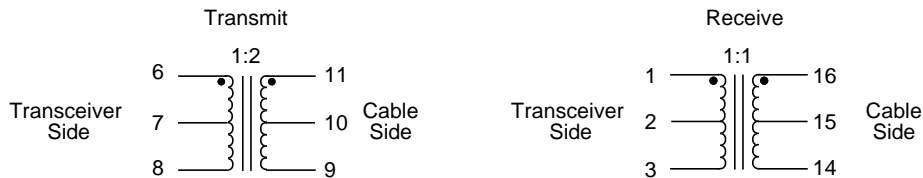
## EPE6338S

- Optimized for Level One LXT905 •
- Robust design allows for toughest soldering processes •
- Small outline package on 0.050" pitch 16 pin SOIC •
- Complies with or exceeds IEEE 802.3, 10 Base-T Requirements •
- Operating temperature : -40°C to +85°C •

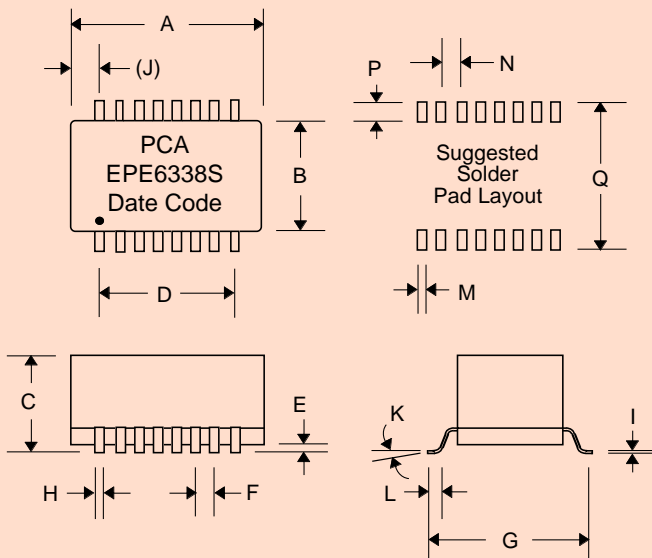
### Electrical Parameters @ 25° C

Cable Side Inductance ( $\mu$ H Min.)		Interwinding Capacitance (pF Max.)	Leakage Inductance ( $\mu$ H Max.)	Return Loss (dB Min.)	Hipot (Vrms)	Transceiver Side DCR ( $\Omega$ Max.)	
@ 100 KHz, 0.1 Vrms		@ 100 KHz, 0.1 Vrms	@ 100 KHz, 0.1 Vrms	5-10 MHz			
Xmit	Rcv					Xmit	Rcv
200	200	12	0.3	-20	1500	0.35	0.50

### Schematic



### Package



### Dimensions

Dim.	(Inches)			(millimeters)		
	Min.	Max.	Nom.	Min.	Max.	Nom.
A	.480	.500		12.19	12.70	
B	.260	.280		6.60	7.11	
C	.180	.200		4.57	5.08	
D	.350	Typ.		8.89	Typ.	
E	.005	.015		.127	.381	
F	.050	Typ.		1.27	Typ.	
G	.370	.390		9.40	9.91	
H	.016	.022		.406	.559	
I	.010	Typ.		.254	Typ.	
(J)	.070	Typ.		1.78	Typ.	
K	0°	8°		0°	8°	
L	.025	.045		.635	1.14	
M			.030			.762
N			.050			1.27
P			.055			1.40
Q			.410			10.41

## EPE6338S

The circuit below is a guideline for interconnecting PCA's EPE6338S with LXT905 10 Base-T PHY chip over UTP cable. Further details of system design, such as chip pin-out, etc. can be obtained from the specific chip manufacturer.

Typical insertion loss of the isolation transformer is 0.7dB. This parameter covers the entire spectrum of the encoded signals in 10 Base-T protocols. However, the predistortion resistor network introduces some loss which has to be taken into account in determining how well your design meets the Standard Template requirements. Additionally, the following need to be considered while selecting resistor values :

a. Each channel needs 100Ω termination, thus the Thevenin's equivalent resistance seen by a channel looking into the transmit outputs from the chip must be equal to a value close to 100Ω. The LXT 905 driver output impedances are very low. Thus only 11.8Ω on TPON & TPOP are enough to provide a balanced 25 Ω termination given that turns ratio is 1:2. Following these guidelines will guarantee that the return loss specifications are satisfied at all extremes of cable impedance (i.e. 85Ω to 115Ω) while the module is installed in your system. The receiver channel termination is rather straight forward: two 50Ω loads provide the balanced termination to the cable.

b. That the template requirements are satisfied under the worst case Vcc (i.e. 4.5V), will impose a further constraint on resistor selection, in that they ought to be the minimum derived from the calculations. Users can allow for pads on their PCB for a shunting resistor across pins 6 and 8 of EPE6338S for more flexibility in setting voltage levels at the outputs.

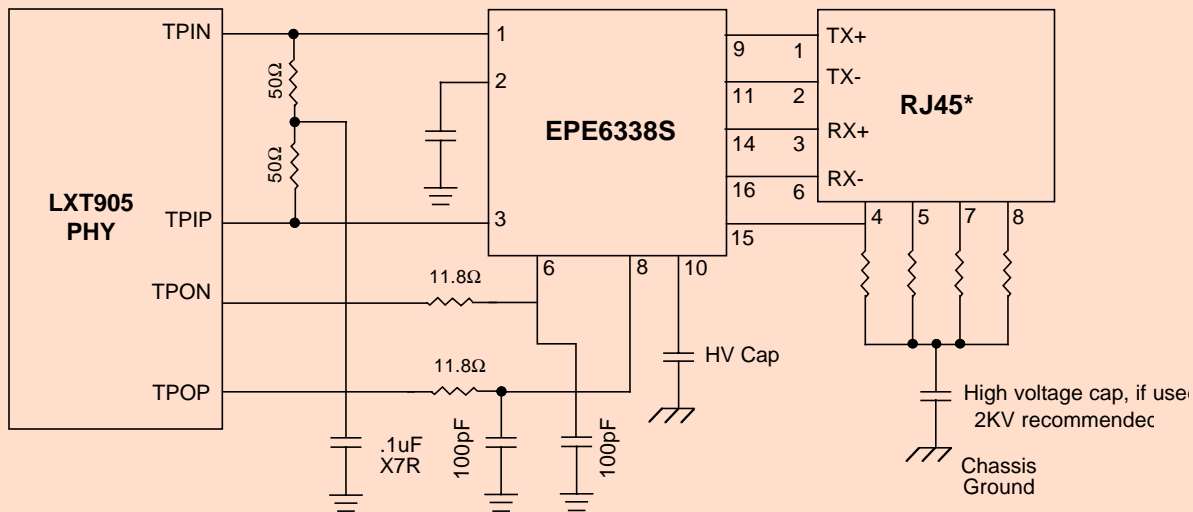
Note that some systems have auto polarity detection and some do not. If not, be certain to follow the proper polarity.

The pulldown resistors used around the RJ45 connector have been known to suppress unwanted radiation that unused wires pick up from the immediate environment. Their placement and use are to be considered carefully before a design is finalized.

It is recommended that there be a neat separation of ground planes in the layout. It is generally accepted practice to limit the plane off at least 0.08 inches away from the chip side pins of EPE6338S. There need not be any ground plane beyond this point.

For best results, PCB designer should design the outgoing traces preferably to be 50Ω, balanced and well coupled to achieve minimum radiation from these traces.

### Typical Application Circuit for UTP with external Resistor Network



Notes : \* Pin-outs shown are for NIC configurations.  
For Hubs and Repeaters swap pins 1-2 with pins 3-6.