

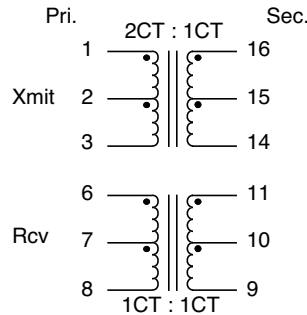
- For use with SEEQ's 80C24 10Base-T PHY Transceiver
- Complies with or exceeds IEEE 802.3 Requirements
- Available in SMD, DIP & DIL Packages
- 1500 Vrms Isolation

Electrical Parameters @ 25° C

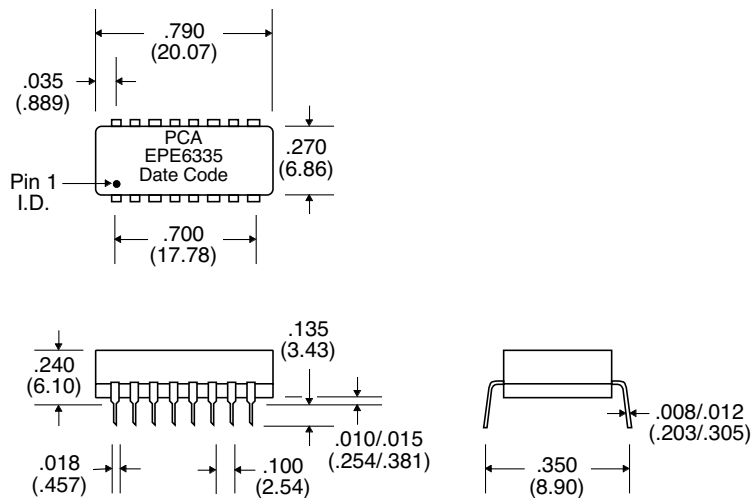
OCL (μ H Min.)	Capacitance Winding (pF Max.)	Leakage Inductance (μ H Max.)		Insertion Loss (dB Max.)	Return Loss (dB Min.)	DCR (Ω Max.)	
		Pins 1-3	Pins 6-8			Pins 1-3	Pins 6-8
Pins 16-14, 11-9	Pri. to Sec.	Xmit	Rcv	@ 1-10 MHz	@ 1-10 MHz	Xmit	Rcv
150	12	0.5	0.2	-1.0	-18	0.5	0.30

• Crosstalk : -40 dB Min. @ 1-30 MHz •

Schematic



Package



Unless Otherwise Specified Dimensions are in Inches /mm $\pm .010 / .25$