

# Low Pass Filter

## EPE6317G

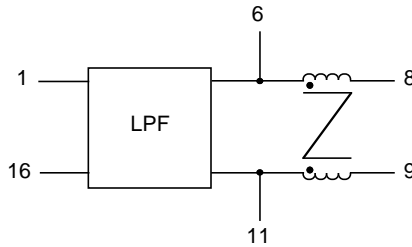
- Robust construction allows for IR/VP processes •
- Available in SMD, DIP and DIL Packages •

### Electrical Parameters @ 25° C

Cut-off Frequency (MHz)	Insertion Loss (dB Max.)	Return Loss (dB Min.)	Attenuation (dB Min.)			Common Mode Rejection (dB Min.)		
			@ 10 MHz	@ 15 MHz	@ 20-30 MHz	@ 1 MHz	@ 10 MHz	@ 100 MHz
± 0.5 MHz	1-5 MHz	1-5 MHz						
7.5	-1	-10	-45	-40	-40	-20	-20	-20

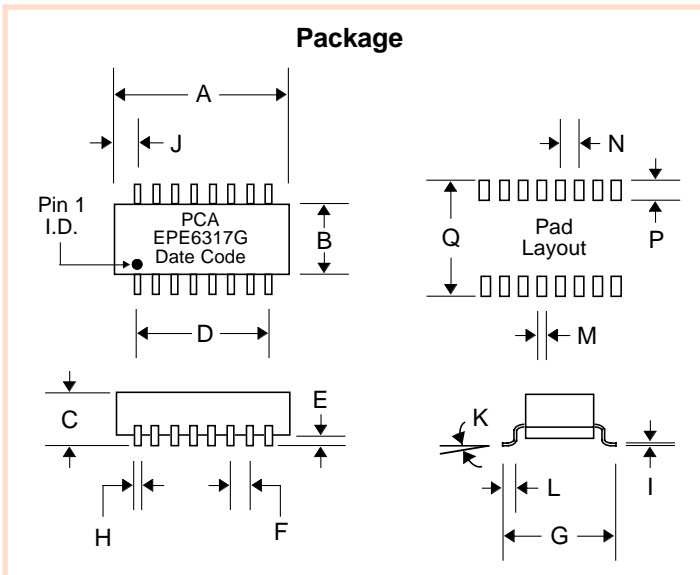
• Characteristic Filter Impedance : 1000 Ω •

### Schematic



2, 3, 4, 5, 7, 10, 12, 13, 14 & 15 - N. C.

### Package



### Dimensions

Dim.	(Inches)			(Millimeters)		
	Min.	Max.	Nom.	Min.	Max.	Nom.
A	.970	.990	.980	24.64	25.15	24.89
B	.380	.400	.390	9.65	10.16	9.91
C	.223	.243	.233	5.66	6.17	5.92
D	.700	Typ.		15.24	Typ.	
E	.010	.020	.015	.254	.508	.381
F	.100	Typ.		2.54	Typ.	
G	.500	.520	.510	12.7	13.20	12.95
H	.016	.022		.406	.559	
I	.008	.012		.203	.304	
J	.140	Typ.		3.56	Typ.	
K	0°	8°		0°	8°	
L	.025	.045	.035	.635	1.14	.889
M			.030			.762
N			.100			2.54
P			.092			2.34
Q			.560			14.22