

EPC3196G-XX

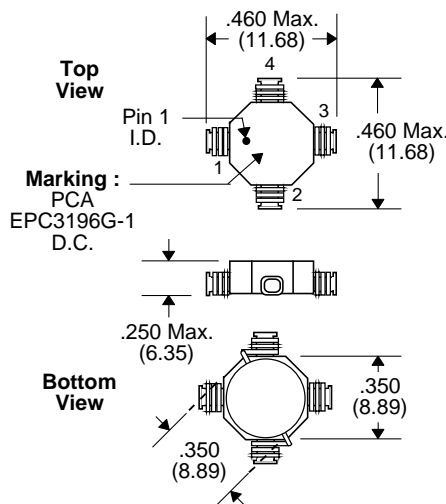


- Low loss material ensures operation in high frequency switching converters, such as Buck, Boost or as output averaging filter inductor
- Also suitable for use in high quality filter applications and as a Coupled Inductor
- Low cost Robust construction to withstand most SMT processes
- Uses MPP Cores

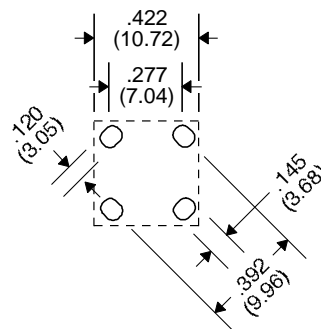
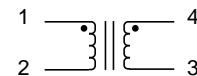
Primary Specification

Part Number	Connection	Inductance ($\mu\text{H} \pm 15\%$) @ 0 Adc	Inductance ($\mu\text{H Min.}$) @ Idc 1	DCR (Max.)	I dc 1 (Amps)	I dc 2 (Amps)
EPC3196G-1	Series	3.2	2.08	.020	3.53	3.23
	Parallel	.800	0.52	.005	7.05	6.45
EPC3196G-2	Series	7.2	4.64	.036	2.35	2.40
	Parallel	1.80	1.16	.009	4.70	4.80
EPC3196G-3	Series	9.8	6.32	.044	2.02	2.23
	Parallel	2.45	1.58	.011	4.03	4.46
EPC3196G-4	Series	12.8	8.24	.060	1.76	1.87
	Parallel	3.20	2.06	.015	3.52	3.73
EPC3196G-5	Series	20.0	12.88	.092	1.41	1.51
	Parallel	5.0	3.22	.023	2.82	3.02
EPC3196G-6	Series	45.0	29.0	.220	0.94	0.97
	Parallel	11.25	7.25	.055	1.88	1.94
EPC3196G-7	Series	64.8	41.72	.324	0.79	0.80
	Parallel	16.20	10.43	.081	1.57	1.59

Package



Schematic



- Notes :**
1. Temperature Rise : 40°C Max. @ Idc 2
 2. Inductance Change at Idc 1 : 30% Max.

Unless Otherwise Specified Dimensions are in Inches /mm $\pm .010 / .25$

EPC3196G-XX

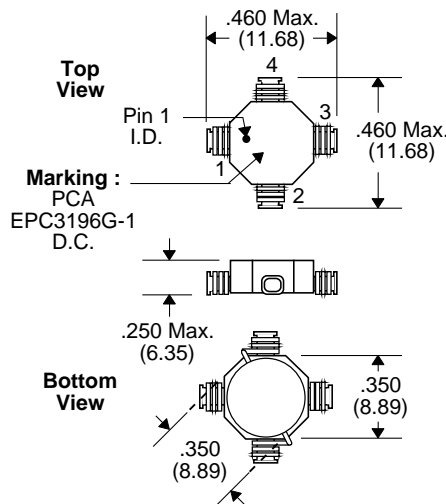


- Low loss material ensures operation in high frequency switching converters, such as Buck, Boost or as output averaging filter inductor
- Also suitable for use in high quality filter applications and as a Coupled Inductor
- Low cost Robust construction to withstand most SMT processes
- Uses MPP Cores

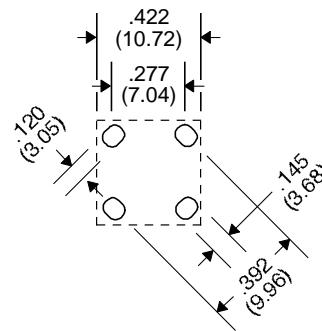
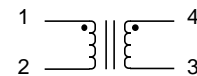
Primary Specification

Part Number	Connection	Inductance ($\mu\text{H} \pm 15\%$) @ 0 Adc	Inductance ($\mu\text{H Min.}$) @ Idc 1	DCR (Max.)	I dc 1 (Amps)	I dc 2 (Amps)
EPC3196G-8	Series	105.8	68.0	.524	0.62	0.63
	Parallel	26.45	17.0	.131	1.23	1.26
EPC3196G-9	Series	135.2	87.2	.728	0.54	0.53
	Parallel	33.8	21.8	.182	1.08	1.05
EPC3196G-10	Series	204.8	132.0	1.12	0.44	0.42
	Parallel	51.2	33.0	.280	0.88	0.84
EPC3196G-11	Series	405.0	389.6	2.056	0.26	0.32
	Parallel	101.25	97.4	.514	0.51	0.64
EPC3196G-12	Series	605.0	260.8	3.10	0.32	0.26
	Parallel	151.25	65.2	.775	0.63	0.52
EPC3196G-13	Series	1008.2	648.0	5.116	0.26	0.20
	Parallel	252.05	162.0	1.279	0.51	0.40
EPC3196G-14	Series	1312.2	844.0	7.348	0.18	0.17
	Parallel	328.05	211.0	1.837	0.35	0.33

Package



Schematic



- Notes :**
1. Temperature Rise : 40°C Max. @ Idc 2
 2. Inductance Change at Idc 1 : 30% Max.

Unless Otherwise Specified Dimensions are in Inches /mm $\pm .010 / .25$