

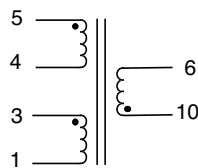


- Used in Flyback Topology Converter
- UL 1446 Class B Insulation System
- UL 94V-0 Recognized Materials
- Gapped Transformer

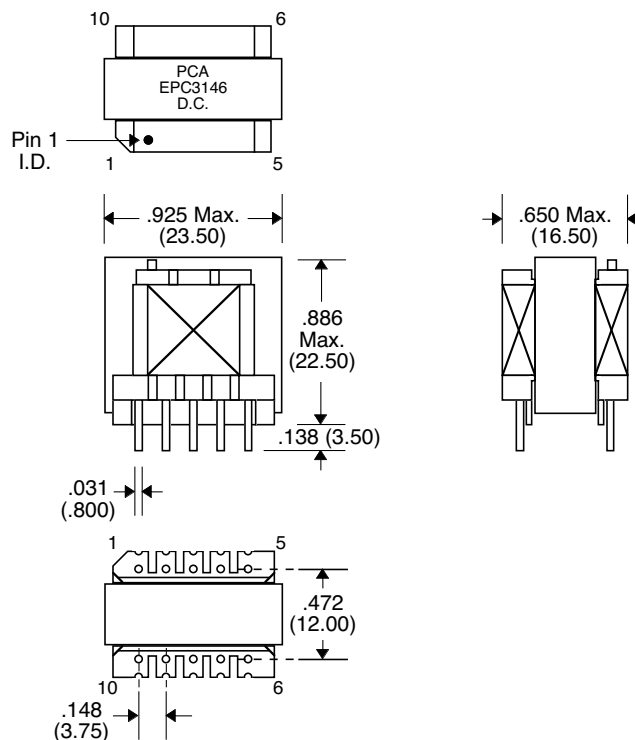
Primary Specification

Inductance (mH \pm 10%)	Leakage Inductance (μ H Max.)	Turns			Hipot (Vac)
132 KHz, 1 Vrms	132 KHz, 1 Vrms				50 Hz/5 mA
1.9	45	5T	18T	5T	3000
Pins 3-1	Pins 3-1 with All Other Wdg's Shorted	Pins 4-5	Pins 3-1	Pins 10-6	

Schematic



Package



Unless Otherwise Specified Dimensions are in Inches /mm \pm .010 / .25