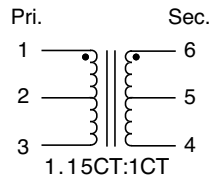


- Designed for HPNA 3.0 Applications
- Operating Temperature : 0°C to +70°C
- Isolation : 1500 Vrms

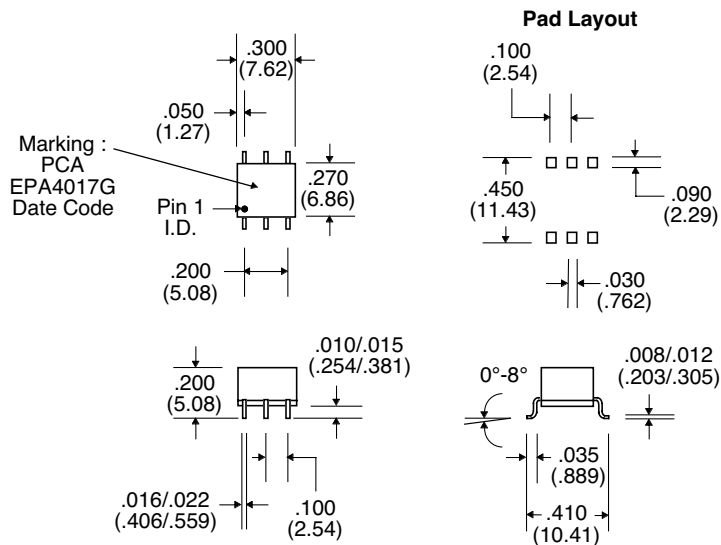
Electrical Parameters @ 25° C

Pri. OCL (μ H Min.)	Interwinding Capacitance (pF Max..)	Leakage Inductance (μ H Max.)	Insertion Loss (dB Max.)	Return Loss (dB Min.)	DCR (Ω Max.)	
					Pri.	Sec.
Pins 1-3	Pri. to Sec.	Pins 1-3 with 6-4 shorted	1-30 MHz	1-30 MHz	Pri.	Sec.
177	15	0.5	-0.5	-15	0.6	0.4

Schematic



Package



Unless Otherwise Specified Dimensions are in Inches /mm $\pm .010 / .25$