

# Common Mode Choke

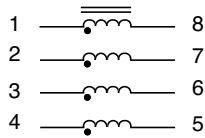
## EPA3607J

- Data Line EMI Filter •
- Robust Construction allows for IR/VP processes •
- Isolation : 300 Vrms •

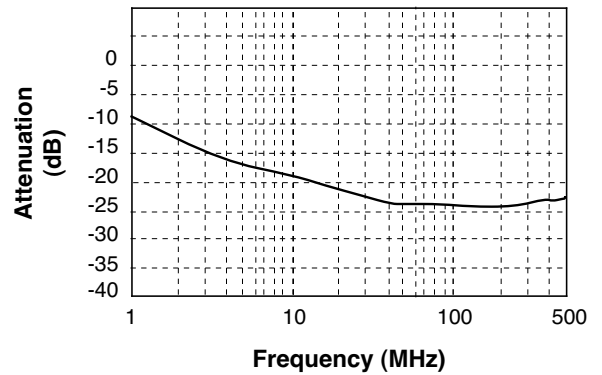
### Electrical Parameters @ 25° C

OCL (mH Typ)	DC Current Capacity (mA Max.)	DCR (Ω Max.)
@ 100 KHz, 0.1 Vrms		Per Line
5	500	0.2

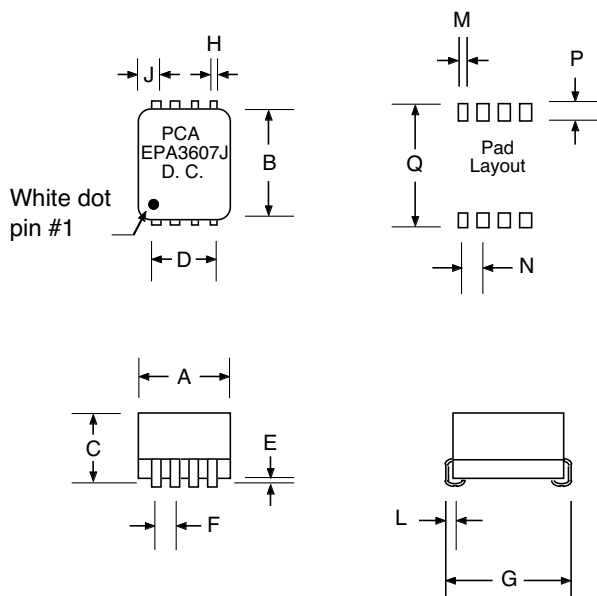
### Schematic



### Typical Attenuation



### Package



### Dimensions

Dim.	(Inches)			(Millimeters)		
	Min.	Max.	Nom.	Min.	Max.	Nom.
A	.220	.240	.230	5.59	6.10	5.84
B	.260	.280	.270	6.60	7.12	6.86
C	.170	.190	.180	4.32	4.83	4.57
D	---	---	.150	---	---	3.80
E	.015	.035	.025	.381	.889	.635
F	---	---	.050	---	---	1.27
G	.280	.300	.290	7.12	7.62	7.36
H	.018	.022	.020	.457	.559	.508
J	---	---	.025	---	---	.635
L	.040	.060	.050	1.02	1.53	1.27
M	---	---	.030	---	---	.762
N	---	---	.050	---	---	1.27
P	---	---	.100	---	---	2.54
Q	---	---	.350	---	---	8.89