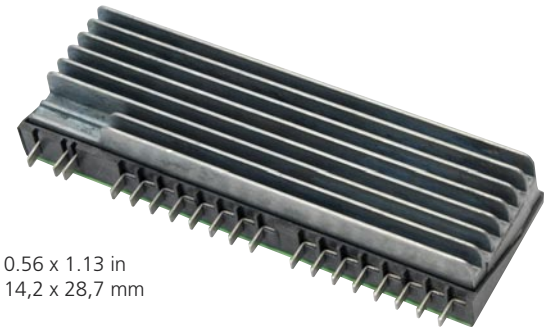


## Features

- 352 Vdc – 44 Vdc 650 W VI BRICK™ BCM Array
- Integrated heatsink simplifies thermal management
- Vertical mount package reduces footprint
- High efficiency (>95%) reduces system power consumption
- High power density (>290 W/in<sup>3</sup>)
- Contains built-in protection features: undervoltage, overvoltage lockout, over current protection, short circuit protection, overtemperature protection
- ZVS/ZCS Resonant Sine Amplitude Converter topology
- Can be paralleled to create multi-kW arrays
- Internal fuse and filter
- No output filtering required

## TYPICAL APPLICATIONS

- High End Computing Systems
- Automated Test Equipment
- Telecom Base Stations
- High Density Power Supplies
- Communications Systems



Size:  
3.54 x 0.56 x 1.13 in  
89,9 x 14,2 x 28,7 mm

$V_{in} = 330 - 365 \text{ V}$   
 $V_{out} = 41.25 - 45.63 \text{ V (NO LOAD)}$   
 $P_{OUT} = 650 \text{ W (NOM)}$   
 $K = 1/8$

## Product Description

The VI BRICK™ BCM Array is a high efficiency (>95%) Sine Amplitude Converter (SAC) operating from a 330 to 365 Vdc primary bus to deliver an isolated 41.25-45.63 V nominal, unregulated secondary. The SAC offers a low AC impedance beyond the bandwidth of most downstream regulators, meaning that input capacitance normally located at the input of a regulator can be located at the input to the SAC. Since the K factor of the BC352R440T065VM-00 is 1/8, that capacitance value can be reduced by a factor of 64x, resulting in savings of board area, materials and total system cost.

## Absolute Maximum Ratings

Parameter	Values	Unit	Notes
+In to -In	-1.0 to 400	Vdc	
PC to -In	-0.3 to +20	Vdc	
+In/-In to +Out/-Out	4242	V	Hi Pot
+In/-In to +Out/-Out	500	V	Working
+Out to -Out	-1.0 to +60	Vdc	

## SPECIFICATIONS

### 1.0 ELECTRICAL CHARACTERISTICS

Specifications apply over all line and load conditions unless otherwise noted; **Boldface** specifications apply over the temperature range of  $-40^{\circ}\text{C} < T_C < 100^{\circ}\text{C}$  (T-Grade); All other specifications are at  $T_C = 25^{\circ}\text{C}$  unless otherwise noted

ATTRIBUTE	SYMBOL	CONDITIONS / NOTES	MIN	TYP	MAX	UNIT
Voltage range	$V_{IN}$		<b>330</b>	<b>352</b>	<b>365</b>	Vdc
dV/dt	$dV_{IN}/dt$				<b>1</b>	V/ $\mu\text{s}$
Quiescent power	$P_Q$	PC connected to -IN		790	<b>820</b>	mW
No load power dissipation	$P_{NL}$	$V_{IN} = 352\text{ V}$		12	19	W
		$V_{IN} = 330\text{ to }365\text{ V}$			<b>24</b>	
Inrush Current Peak	$I_{INR\_P}$	$V_{IN} = 365\text{ V}$ , $C_{OUT} = 100\ \mu\text{F}$ , $P_{OUT} = 650\text{ W}$		4	<b>9</b>	A
DC Input Current	$I_{IN\_DC}$	$P_{OUT} = 650\text{ W}$			<b>2</b>	A
K Factor $\left(\frac{V_{OUT}}{V_{IN}}\right)$	K			1/8		
Output Power (Average)	$P_{OUT}$	$V_{IN} = 352\text{ V}_{DC}$ ; See Figure 11			<b>650</b>	W
		$V_{IN} = 330 - 365\text{ V}_{DC}$ ; See Figure 11			<b>610</b>	
Output Power (Peak)	$P_{OUT\_P}$	$V_{IN} = 352\text{ V}_{DC}$ Average $P_{OUT} < = 650\text{ W}$ , $T_{peak} < 5\text{ ms}$			<b>990</b>	W
Output Voltage	$V_{OUT}$	No load	<b>41.25</b>		<b>45.63</b>	V
Output Current (Average)	$I_{OUT}$	$P_{out} < = 650\text{ W}$			15.4	A
Efficiency (Ambient)	$\eta$	$V_{IN} = 352\text{ V}$ , $P_{OUT} = 650\text{ W}$	94.4	96		%
		$V_{IN} = 330\text{ V to }365\text{ V}$ , $P_{OUT} = 650\text{ W}$	94.4			
Efficiency (Hot)	$\eta$	$V_{IN} = 352\text{ V}$ , $T_J = 100^{\circ}\text{ C}$ , $P_{OUT} = 650\text{ W}$	94.3	96		%
Minimum Efficiency (Over Load Range)	$\eta$	$120\text{ W} < P_{OUT} < 650\text{ W Max}$	<b>90</b>			%
Output Resistance (Ambient)	$R_{OUT}$	$T_C = 25^{\circ}\text{ C}$	50	70	90	m $\Omega$
Output Resistance (Hot)	$R_{OUT}$	$T_C = 100^{\circ}\text{ C}$	75	95	115	m $\Omega$
Output Resistance (Cold)	$R_{OUT}$	$T_C = -40^{\circ}\text{ C}$	30	57.5	90	m $\Omega$
Load Capacitance	$C_{OUT}$				<b>200</b>	$\mu\text{F}$
Switching Frequency	$F_{SW}$		<b>1.56</b>	1.65	<b>1.73</b>	MHz
Ripple Frequency	$F_{SW\_RP}$		<b>3.12</b>	3.3	<b>3.46</b>	MHz
Output Voltage Ripple	$V_{OUT\_PP}$	$C_{OUT} = 0\ \mu\text{F}$ , $P_{OUT} = 650\text{ W}$ , $V_{IN} = 352\text{ V}$		216	<b>450</b>	mV
$V_{IN}$ to $V_{OUT}$ (Application of $V_{IN}$ )	$T_{ON1}$	$V_{IN} = 352\text{ V}$ , $C_{PC} = 0$	460	540	620	ms
<b>CNTRL</b>						
CNTRL Voltage (Operating)	$V_{PC}$		<b>4.7</b>	5	<b>5.3</b>	V
CNTRL Voltage (Enable)	$V_{PC\_EN}$		<b>2</b>	2.5	<b>3</b>	V
CNTRL Voltage (Disable)	$V_{PC\_DIS}$				<b>&lt;2</b>	V
CNTRL Source Current (Startup)	$I_{PC\_EN}$		<b>100</b>	200	<b>600</b>	$\mu\text{A}$
CNTRL Source Current (Operating)	$I_{PC\_OP}$		<b>4</b>	7	<b>10</b>	mA
CNTRL Internal Resistance	$R_{PC\_SNK}$	Internal pull down resistor	<b>25</b>	75	<b>200</b>	k $\Omega$
CNTRL Capacitance (Internal)	$C_{PC\_INT}$				2000	pF
CNTRL Capacitance (External)	$C_{PC\_EXT}$	External capacitance delays PC enable time			2000	pF
External CNTRL Resistance	$R_{PC}$	Connected to $-V_{IN}$	<b>25</b>			k $\Omega$
CNTRL External Toggle Rate	$F_{PC\_TOG}$				<b>1</b>	Hz
CNTRL to $V_{OUT}$ with CNTRL Released	$T_{on2}$	$V_{IN} = 352\text{ V}$ , Pre-applied $C_{PC} = 0$ , $C_{OUT} = 0$	50	100	150	$\mu\text{s}$
CNTRL to $V_{OUT}$ , Disable CNTRL	$T_{PC\_DIS}$	$V_{IN} = 352\text{ V}$ , Pre-applied $C_{PC} = 0$ , $C_{OUT} = 0$		4	<b>10</b>	$\mu\text{s}$

## SPECIFICATIONS

### 1.0 ELECTRICAL CHARACTERISTICS (CONT.)

Specifications apply over all line and load conditions unless otherwise noted; **Boldface** specifications apply over the temperature range of  $-40^{\circ}\text{C} < T_C < 100^{\circ}\text{C}$  (T-Grade); All other specifications are at  $T_C = 25^{\circ}\text{C}$  unless otherwise noted

ATTRIBUTE	SYMBOL	CONDITIONS / NOTES	MIN	TYP	MAX	UNIT
<b>PROTECTION</b>						
Negative going OVLO	$V_{IN\_OVLO-}$		<b>365</b>	380	<b>390</b>	V
Positive going OVLO	$V_{IN\_OVLO+}$		<b>380</b>	385	<b>400</b>	V
Negative going UVLO	$V_{IN\_UVLO-}$		<b>270</b>	285	<b>304</b>	V
Positive going UVLO	$V_{IN\_UVLO+}$		<b>285</b>	300	<b>325</b>	V
Output Overcurrent Trip	$I_{OCP}$	$V_{IN} = 352\text{ V}, 25^{\circ}\text{C}$	<b>20</b>	24	<b>30</b>	A
Short Circuit Protection Trip Current	$I_{SCP}$		<b>30</b>			A
Short Circuit Protection Response Time	$T_{SCP}$				<b>1.2</b>	$\mu\text{s}$
Thermal Shutdown Junction setpoint	$T_{J\_OTP}$		<b>125</b>	130	<b>135</b>	$^{\circ}\text{C}$
<b>GENERAL SPECIFICATION</b>						
Isolation Voltage (Hi-Pot)	$V_{HIPOT}$		<b>4242</b>			V
Working Voltage (IN – OUT)	$V_{WORKING}$				<b>500</b>	V
Isolation Capacitance	$C_{IN\_OUT}$	Unpowered unit	<b>500</b>	660	<b>800</b>	pF
Isolation Resistance	$R_{IN\_OUT}$		<b>5</b>			$\text{M}\Omega$
MTBF		MIL HDBK 217F, $25^{\circ}\text{C}$ , GB		2.1		Mhrs
Agency Approvals/Standards		cTUVus (Pending Approvals) CE Mark				

## SPECIFICATIONS

### GENERAL

Parameter	Min	Typ	Max	Unit	Note
Mechanical					See Mechanical Drawings
Weight		3.2/92		oz/g	
Dimensions					
Length		3.54/89,9	3.55/90,1	in/mm	
Width		0.56/14,2	0.57/14,6	in/mm	
Height		1.13/28,7	1.18/30,0	in/mm	
Thermal					
Over temperature shutdown	125	130	135	°C	Junction temperature
Operating temperature - heatsink			100	°C	See thermal curve, Figure 14
Junction-to-heatsink thermal impedance ( $R_{\theta JC}$ )		0.50	0.65	°C/W	Heatsink temperature measured in location shown in Figure 15
Heatsink to ambient thermal impedance ( $R_{\theta HA}$ )		5.95	6.10	°C/W	Refer to <a href="http://www.vicorpower.com/technical_library/calculators/calc_t~1.xls">http://www.vicorpower.com/technical_library/calculators/calc_t~1.xls</a>

### APPLICATION CHARACTERISTICS

All specifications are at  $T_C = 25^\circ$  unless otherwise noted. See associated figures for general trend data.

ATTRIBUTE	SYMBOL	CONDITIONS / NOTES	TYP	UNIT
No Load Power	$P_{NL}$	$V_{IN} = 352$ V, PC enabled; See Figure 1	12	W
Inrush Current Peak	$I_{NR\_P}$	$C_{OUT} = 100$ $\mu$ F, $P_{OUT} = 650$ W	4	A
Efficiency (Ambient)	$\eta$	$V_{IN} = 352$ V, $P_{OUT} = 650$ W	96	%
Efficiency (Hot – 100°C)	$\eta$	$V_{IN} = 352$ V, $P_{OUT} = 650$ W	96	%
Output Voltage Ripple	$V_{OUT\_PP}$	$C_{OUT} = 0$ $\mu$ F, $P_{OUT} = 650$ W @ $V_{IN} = 352$ , $V_{IN} = 352$ V	216	mV
Undervoltage Lockout Response Time Constant	$T_{UVLO}$		150	$\mu$ s
Output Overcurrent Response Time Constant	$T_{OCP}$	$20 < I_{OCP} < 30$ A	7.5	ms
Overvoltage Lockout Response Time Constant	$T_{OVLO}$		120	$\mu$ s

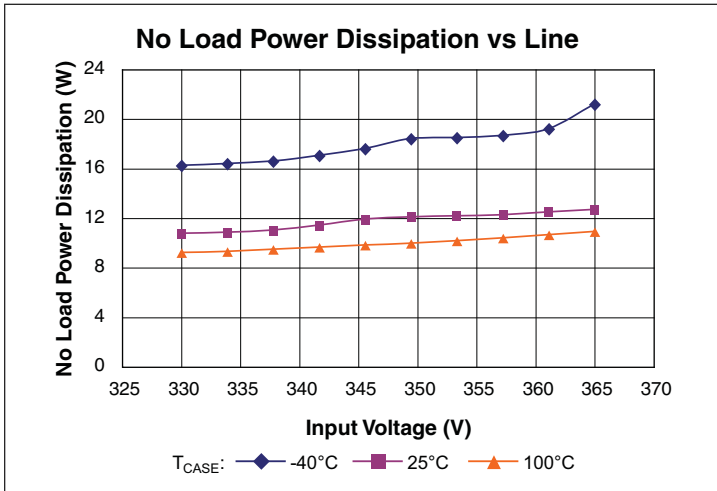


Figure 1 – No load power dissipation vs.  $V_{IN}$ ;  $T_{CASE}$

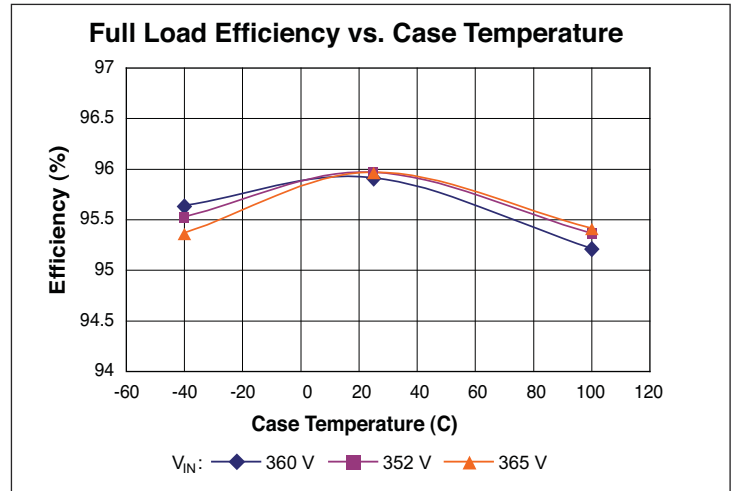


Figure 2 – Full load efficiency vs. temperature;  $V_{IN}$

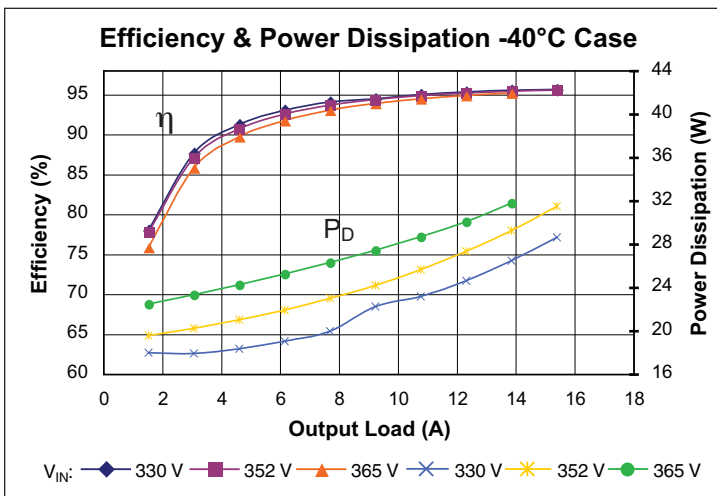


Figure 3 – Efficiency and power dissipation at -40°C (case);  $V_{IN}$

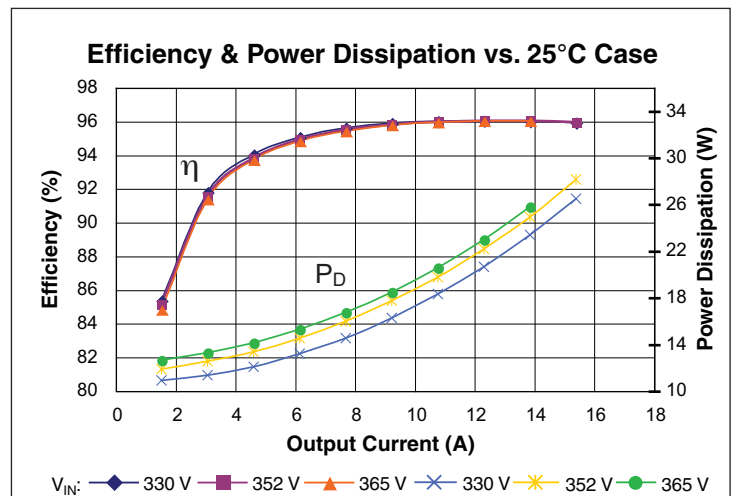


Figure 4 – Efficiency and power dissipation at 25°C (case);  $V_{IN}$

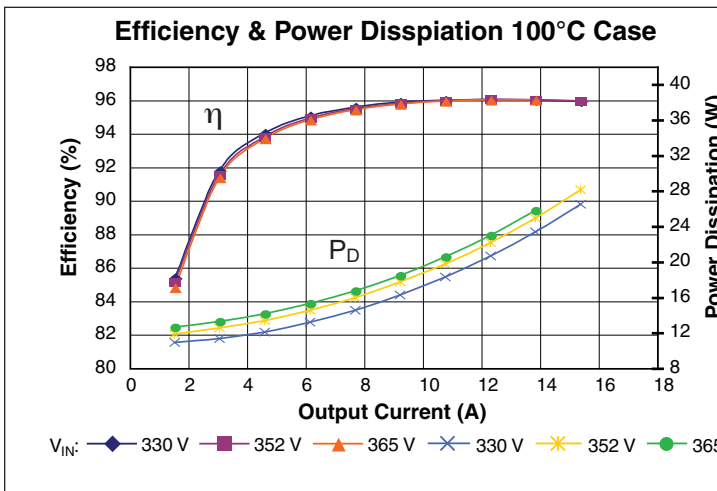


Figure 5 – Efficiency and power dissipation at 100°C (case);  $V_{IN}$

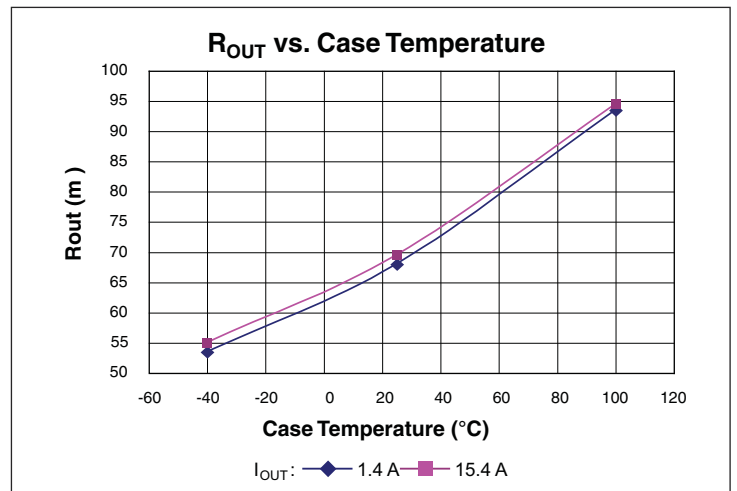


Figure 6 –  $R_{OUT}$  vs. temperature vs.  $I_{OUT}$

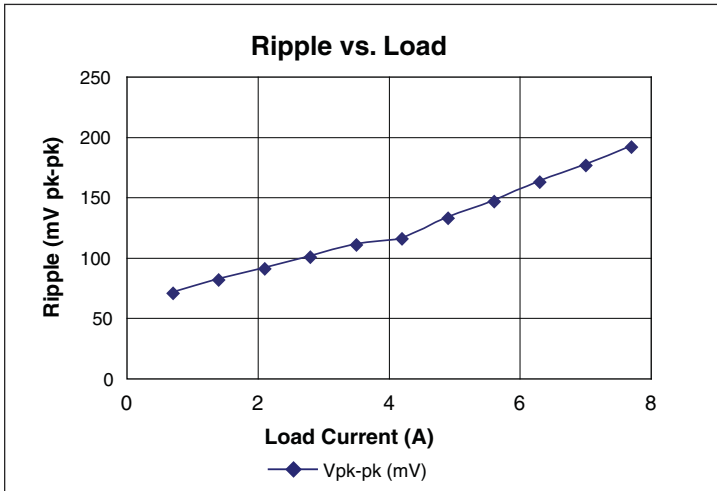


Figure 7 – Typical  $V_{ripple}$  vs.  $I_{OUT}$ ; 352  $V_{IN}$ , no external capacitance

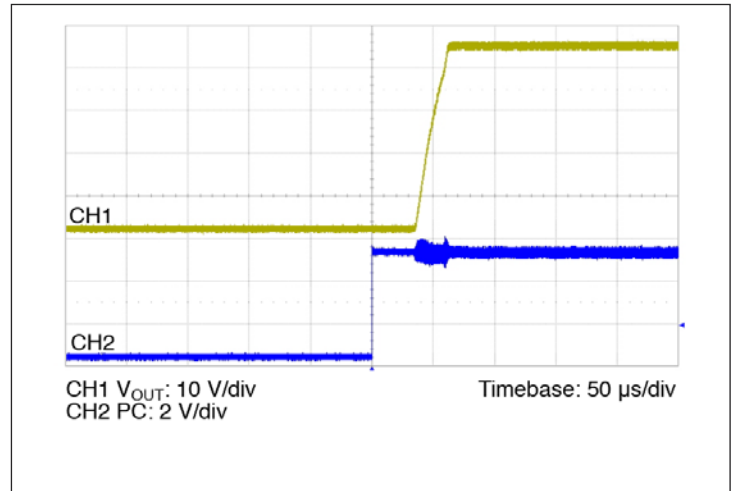


Figure 8 – CNTRL to  $V_{OUT}$  startup waveform

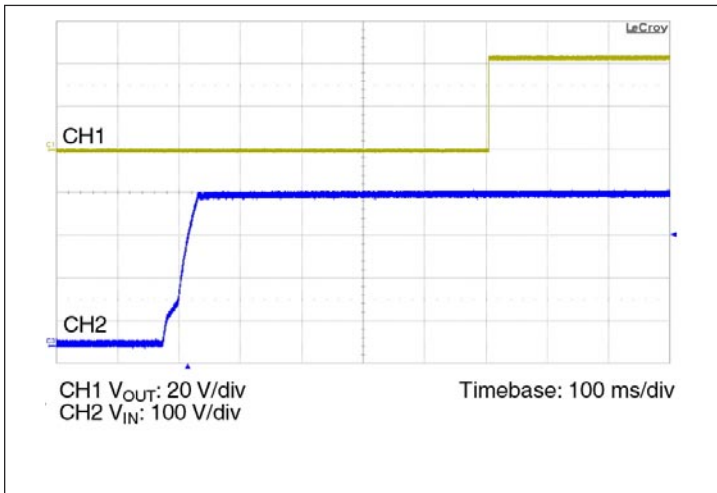


Figure 9 –  $V_{IN}$  to  $V_{OUT}$  startup waveform

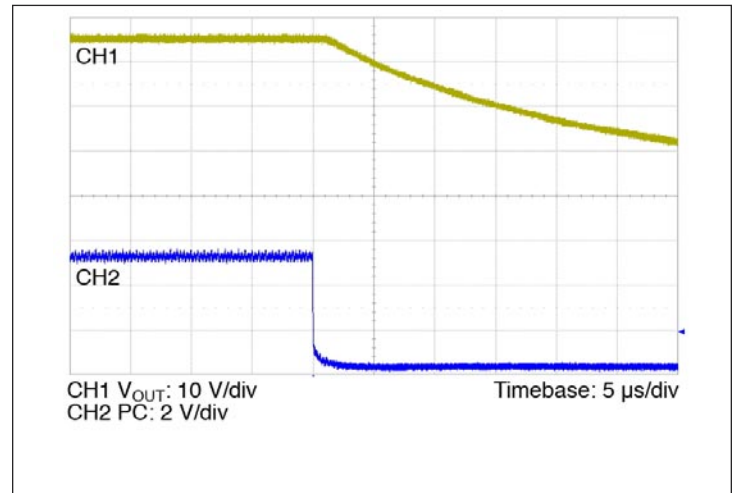


Figure 10 – CNTRL disable waveform, 352  $V_{IN}$ , 200  $\mu$ F  $C_{OUT}$  full load

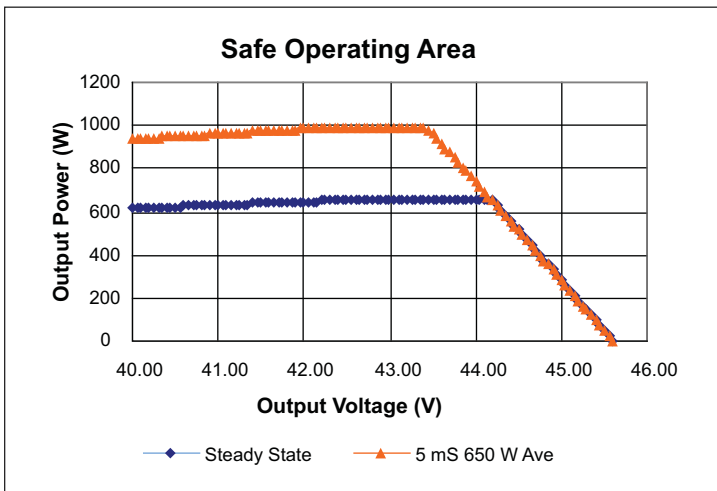


Figure 11 – Safe Operating Area vs.  $V_{OUT}$

# SPECIFICATIONS

## MECHANICAL DRAWING

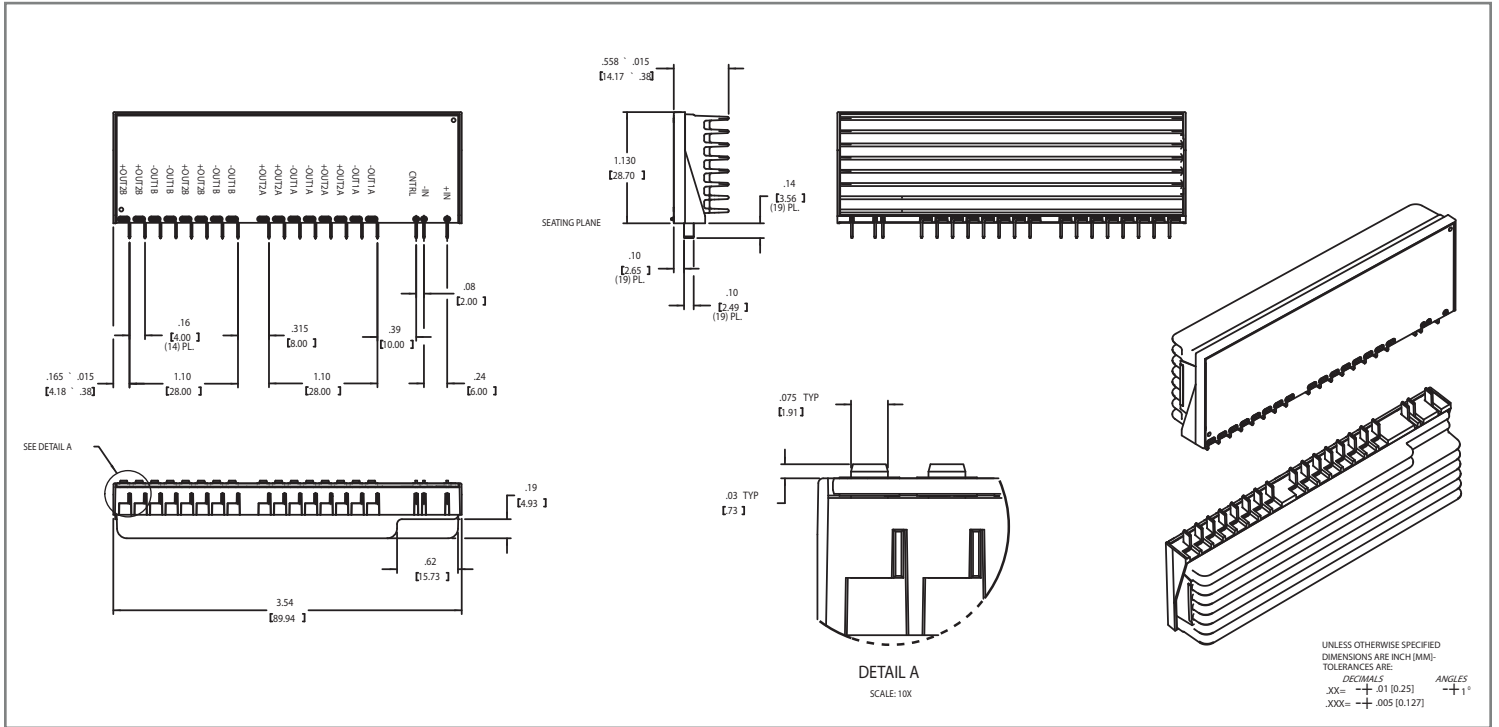


Figure 12 – Outline Drawing

## RECOMMENDED PCB PATTERN

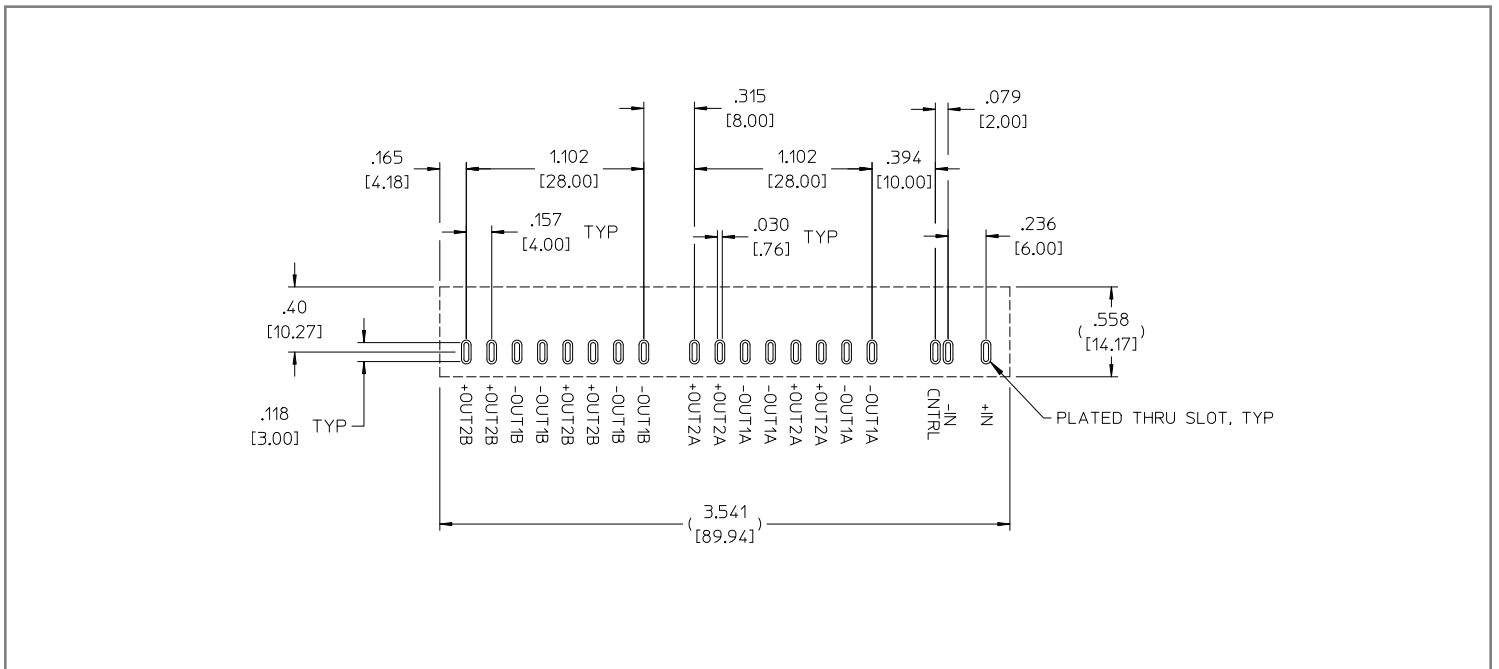


Figure 13 – PCB Layout

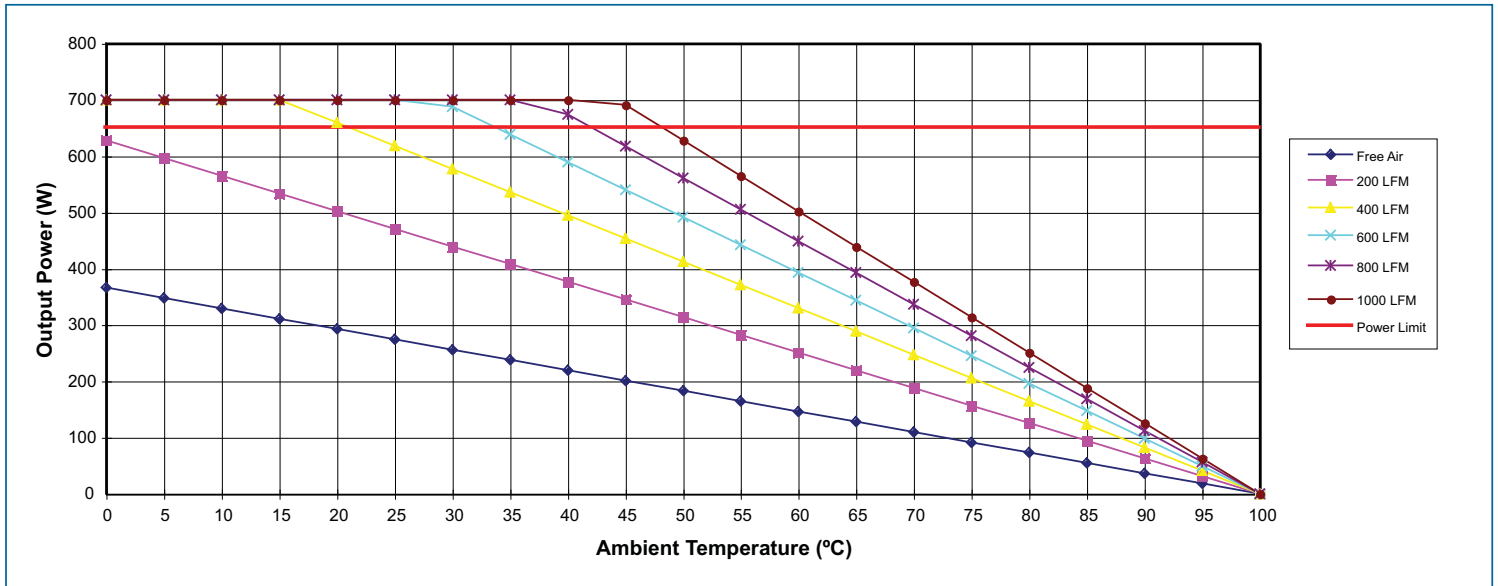


Figure 14 – Typical thermal curve – verify all thermal management systems experimentally.

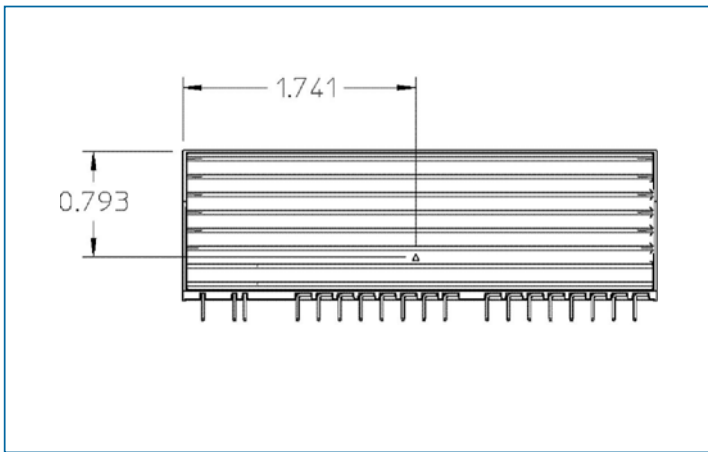


Figure 15 — Temp measurement location

### +In / -In – DC Voltage Input Ports

The BCM Array input voltage range should not be exceeded. An internal under / over voltage lockout-function prevents operation outside of the normal operating input range. The module turns on within an input voltage window bounded by the “Input under-voltage turn-on” and “Input over-voltage turn-off” levels, as specified. The module may be protected against accidental application of a reverse input voltage by the addition of a rectifier in series with the positive input, or a reverse rectifier in shunt with the positive input located on the load side of the input fuse.

### CNTRL – Enable / Disable

The Enable / Disable signal is a multifunction node that provides the following functions:

**Enable / Disable** – If CNTRL is left floating, the module output is enabled. Once this port is pulled lower than 1.95 Vdc with respect to –In, the output is disabled. This action can be realized by employing a relay, opto-coupler, or open collector transistor. This signal should not be toggled at a rate higher than 1 Hz. CNTRL should also not be driven by or pulled up to an external voltage source.

**Primary Auxiliary Supply** – CNTRL can source up to 10 mA at 5.0 Vdc. CNTRL should never be used to sink current.

**Alarm** – The module contains circuitry that monitors output overload, input over voltage or under voltage, and internal junction temperatures. In response to an abnormal condition in any of the monitored parameters, CNTRL will toggle.

### +Out / -Out – DC Voltage Output Ports

Multiple pins are provided for the +Out and –Out connections. They **must** be connected in parallel with low interconnect resistance.

The low output impedance of the module reduces or eliminates the need for limited life aluminum electrolytic or tantalum capacitors at the input of POL converters.

Total load capacitance at the output of the device should not exceed the specified maximum. Owing to the wide bandwidth and low output impedance of the BCM Array, low frequency bypass capacitance and significant energy storage may be more densely and efficiently provided by adding capacitance at the input.



**CURRENT SHARING**

The SAC topology bases its performance on efficient transfer of energy through a transformer, without the need of closed loop control. For this reason, the transfer characteristic can be approximated by an ideal transformer with some resistive drop and positive temperature coefficient.

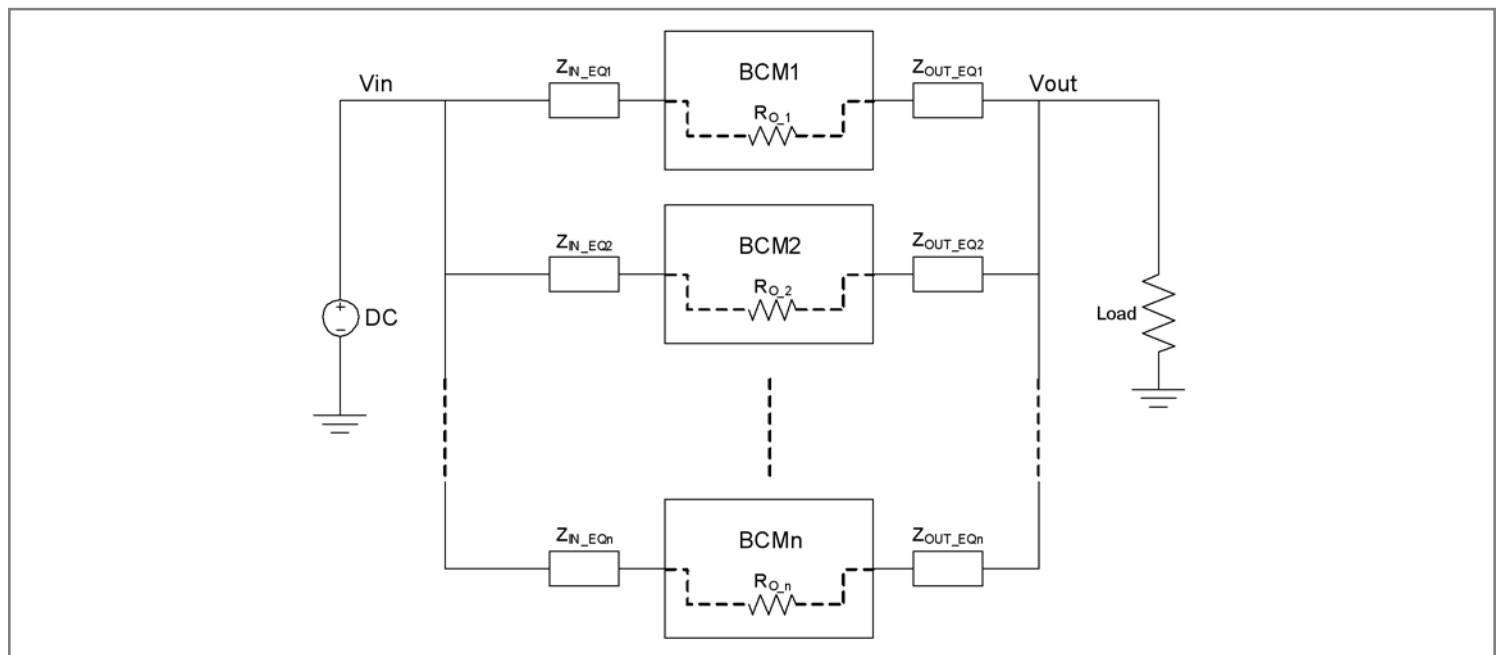
This type of characteristic is close to the impedance characteristic of a DC power distribution system, both in behavior (AC dynamic) and absolute value (DC dynamic).

When connected in an array (with same K factor), the BCM module will inherently share the load current with parallel units, according to the equivalent impedance divider that the system implements from the power source to the point of load.

It is important to notice that, when successfully started, BCMs are capable of bidirectional operations (reverse power transfer is enabled if the BCM input falls within its operating range and the BCM is otherwise enabled). In parallel arrays, because of the resistive behavior, circulating currents are never experienced, because of energy conservation law.

General recommendations to achieve matched array impedances are (see also AN016 for further details):

- to dedicate common copper planes within the PCB to deliver and return the current to the modules
- to make the PCB layout as symmetric as possible
- to apply same input/output filters (if present) to each unit



**Figure 16** – BCM Array

## Warranty

Vicor products are guaranteed for two years from date of shipment against defects in material or workmanship when in normal use and service. This warranty does not extend to products subjected to misuse, accident, or improper application or maintenance. Vicor shall not be liable for collateral or consequential damage. This warranty is extended to the original purchaser only.

EXCEPT FOR THE FOREGOING EXPRESS WARRANTY, VICOR MAKES NO WARRANTY, EXPRESS OR IMPLIED, INCLUDING, BUT NOT LIMITED TO, THE WARRANTY OF MERCHANTABILITY OR FITNESS FOR A PARTICULAR PURPOSE.

Vicor will repair or replace defective products in accordance with its own best judgement. For service under this warranty, the buyer must contact Vicor to obtain a Return Material Authorization (RMA) number and shipping instructions. Products returned without prior authorization will be returned to the buyer. The buyer will pay all charges incurred in returning the product to the factory. Vicor will pay all reshipment charges if the product was defective within the terms of this warranty.

Information published by Vicor has been carefully checked and is believed to be accurate; however, no responsibility is assumed for inaccuracies. Vicor reserves the right to make changes to any products without further notice to improve reliability, function, or design. Vicor does not assume any liability arising out of the application or use of any product or circuit; neither does it convey any license under its patent rights nor the rights of others. Vicor general policy does not recommend the use of its components in life support applications wherein a failure or malfunction may directly threaten life or injury. Per Vicor Terms and Conditions of Sale, the user of Vicor components in life support applications assumes all risks of such use and indemnifies Vicor against all damages.

## **Vicor's comprehensive line of power solutions includes high density AC-DC and DC-DC modules and accessory components, fully configurable AC-DC and DC-DC power supplies, and complete custom power systems.**

Information furnished by Vicor is believed to be accurate and reliable. However, no responsibility is assumed by Vicor for its use. Vicor components are not designed to be used in applications, such as life support systems, wherein a failure or malfunction could result in injury or death. All sales are subject to Vicor's Terms and Conditions of Sale, which are available upon request.

## **Specifications are subject to change without notice.**

## Intellectual Property Notice

Vicor and its subsidiaries own Intellectual Property (including issued U.S. and Foreign Patents and pending patent applications) relating to the products described in this data sheet. Interested parties should contact Vicor's Intellectual Property Department.

The products described on this data sheet are protected by the following U.S. Patents Numbers: 5,945,130; 6,403,009; 6,710,257; 6,911,848; 6,930,893; 6,934,166; 6,940,013; 6,969,909; 7,038,917; 7,166,898; 7,187,263; 7,361,844; D496,906; D505,114; D506,438; D509,472; and for use under 6,975,098 and 6,984,965

**Vicor Corporation**  
25 Frontage Road  
Andover, MA, USA 01810  
Tel: 800-735-6200  
Fax: 978-475-6715

### email

Customer Service: [custserv@vicorpower.com](mailto:custserv@vicorpower.com)  
Technical Support: [apps@vicorpower.com](mailto:apps@vicorpower.com)