

SPECIFICATIONS

Electrical Ratings	3A @ 120 VAC, 28VDC; 1A @ 250VAC
Electrical Life	50,000 cycles typical
Contact Resistance	< 20 mΩ max initial @ 2-4VDC, 100mA
Dielectric Strength	1500Vrms min
Insulation Resistance	> 100MΩ min
Operating Temperature	-40°C to 85°C
Storage Temperature	-40°C to 85°C



Process Sealed


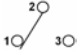

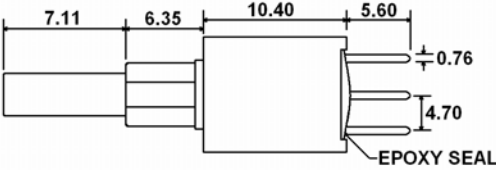
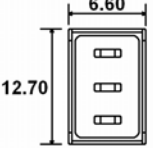
MATERIALS ←RoHS COMPLIANT


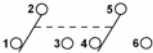
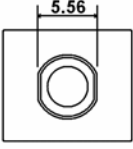
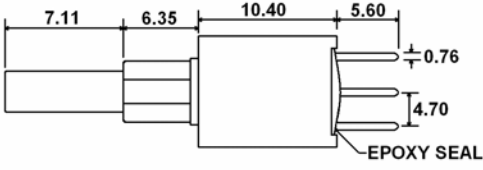
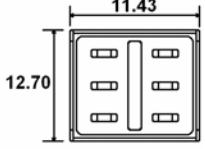
Actuator	4/6 Nylon, Glass Filled, Flame Retardant Heat Stabilized, UL94V-0
Housing	4/6 Nylon, Glass Filled, Flame Retardant Heat Stabilized, UL94V-0
Support Bracket	Steel, Tin Plated
Contacts	Copper Alloy, Silver or Gold Plated
Terminals	Copper Alloy, Silver or Gold Plated

ORDERING INFORMATION

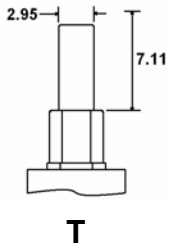
Series:	ASP	1	1	T	N	H	Q
ASP							
Number of Poles:							
1 = SPDT							
2 = DPDT							
Switch Function:							
1 = ON-NONE-(ON)							
Actuator:							
T = 7.11mm, Std							
Bushing:							
E = 8.80mm, ¼-40 UNS-2A Threaded							
N = 6.35mm, Non-Threaded							
Terminals:							
B = Solder Lug							
C = PC Pin							
D = Quick Connect							
H = Horizontal Mount, Right Angle PC Pin; HS = Snap-in							
V = Vertical Mount, Right Angle PC Pin; VS = Snap-in							
S20 = PC Pin with Support Bracket; V20 = Snap-in Support Bracket							
S25 = PC Pin with Support Bracket; V25 = Snap-in Support Bracket							
Contacts:							
Q = Silver Plated							
R = Gold Plated							
G = Gold over Silver Plated							
Actuator Caps:							
Blank = None							
C73							
C74							
C75							
C76							
C77							
Actuator Cap Colors:							
** See Cap Options for color availability							

SWITCH FUNCTION

 SPDT	Function 1	Toggle Position					
		ON	(ON)				
Terminals	1	1-3	1-2				

 DPDT	Function 1	Toggle Position					
		ON	(ON)				
Terminals	1	1-3 4-6	1-2 4-5				

ACTUATOR OPTIONS



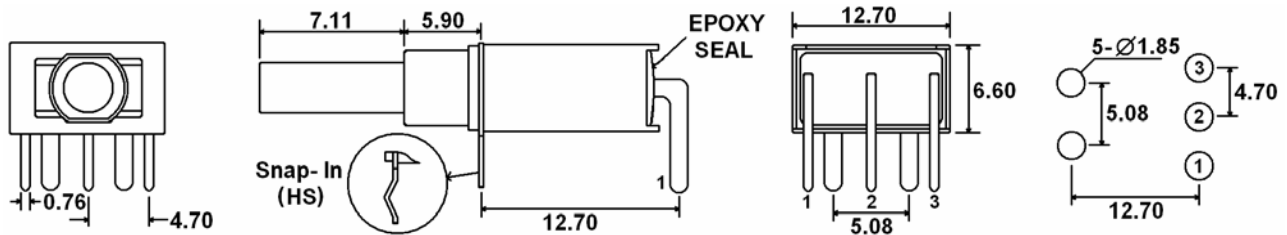
BUSHING OPTIONS

PANEL MOUNTING

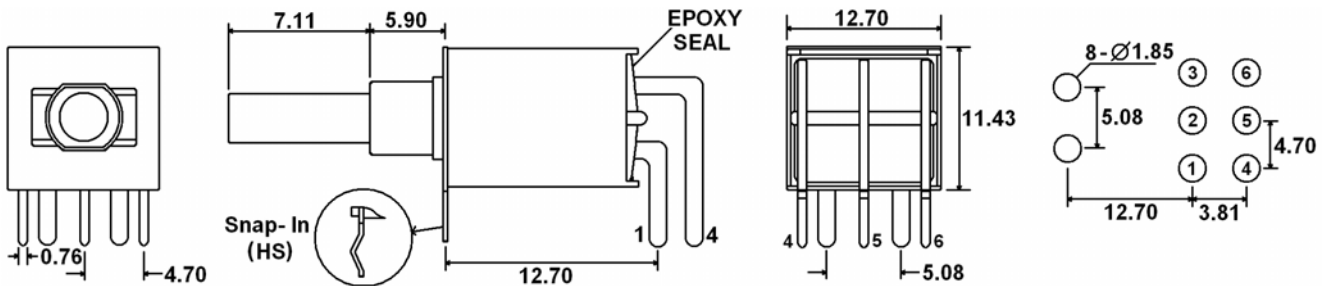
<p>E</p>	<p>N</p>	
-----------------	-----------------	--

TERMINAL OPTIONS

<p>B (Single Pole)</p>	<p>B (Double Pole)</p>	<p>B (3 Pole)</p>
<p>C (Single Pole)</p>	<p>C (Double Pole)</p>	<p>C (3 Pole)</p>
<p>D (Single Pole)</p>	<p>D (Double Pole)</p>	<p>D (3 Pole)</p>

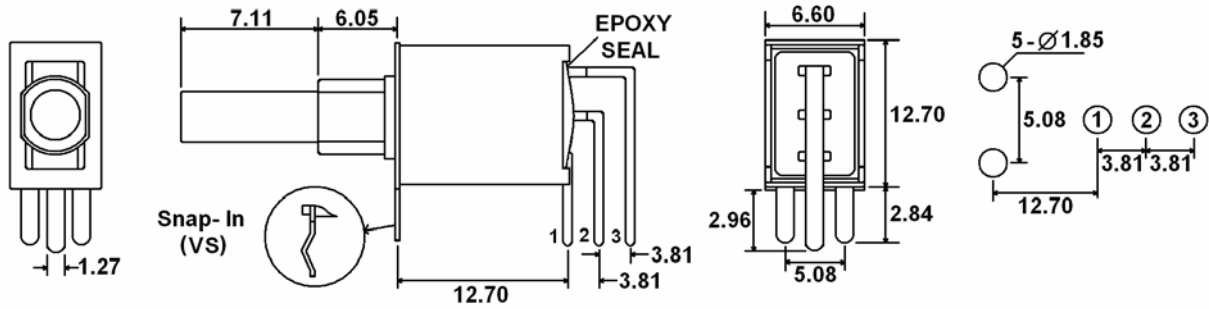


H (HS – Snap-in) = Horizontal Mount, Right Angle PC Pins (Single Pole)

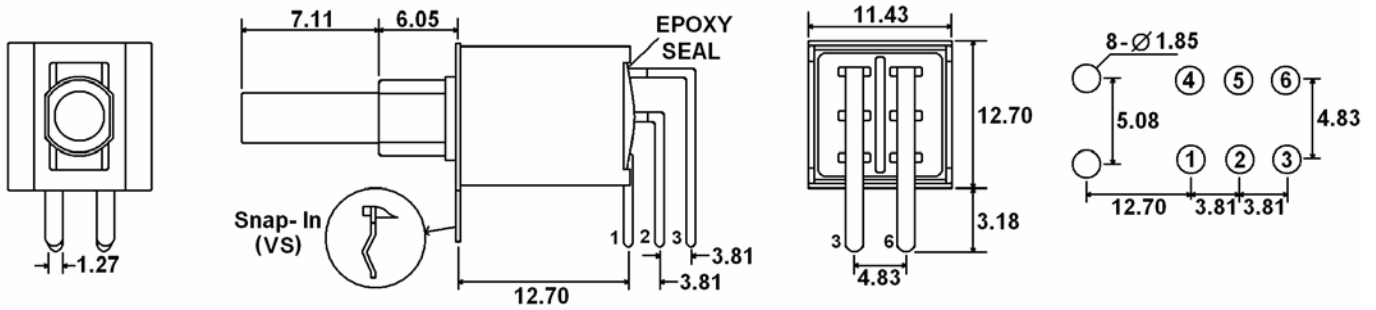


H (HS – Snap-in) = Horizontal Mount, Right Angle PC Pins (Double Pole)

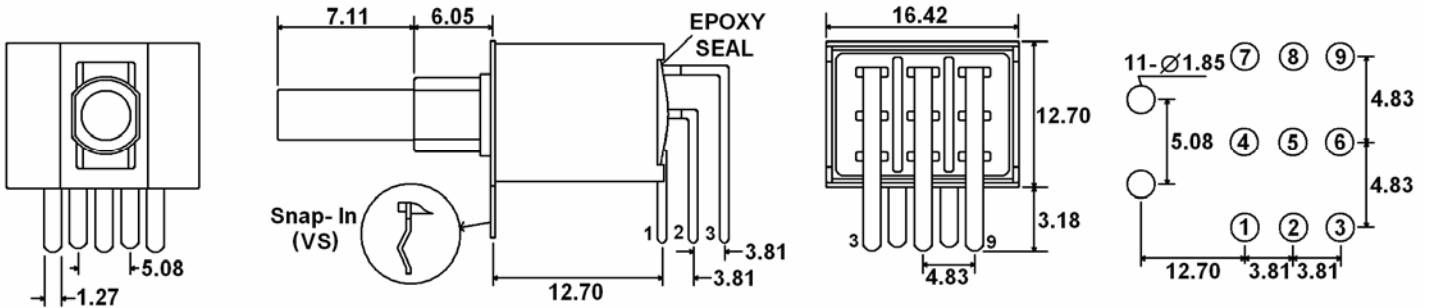
TERMINAL OPTIONS



V (VS – Snap-in) = Vertical Mount, Right Angle PC Pins (Single Pole)

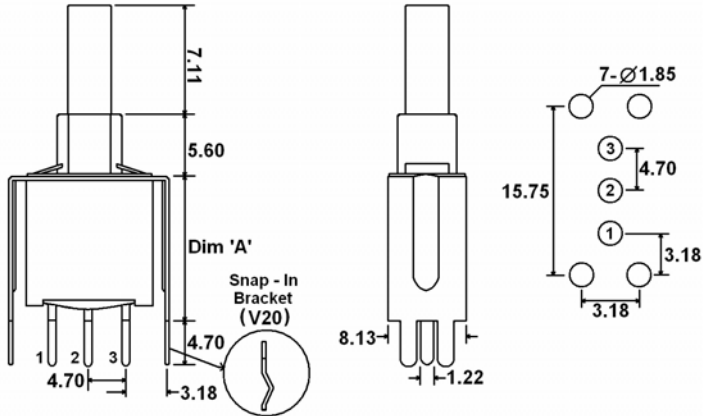


V (VS – Snap-in) = Vertical Mount, Right Angle PC Pins (Double Pole)



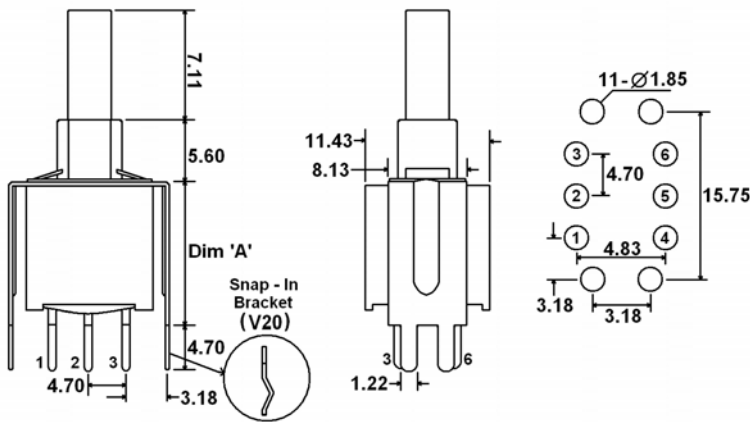
V (VS – Snap-in) = Vertical Mount, Right Angle PC Pins (Three Pole)

TERMINAL OPTIONS



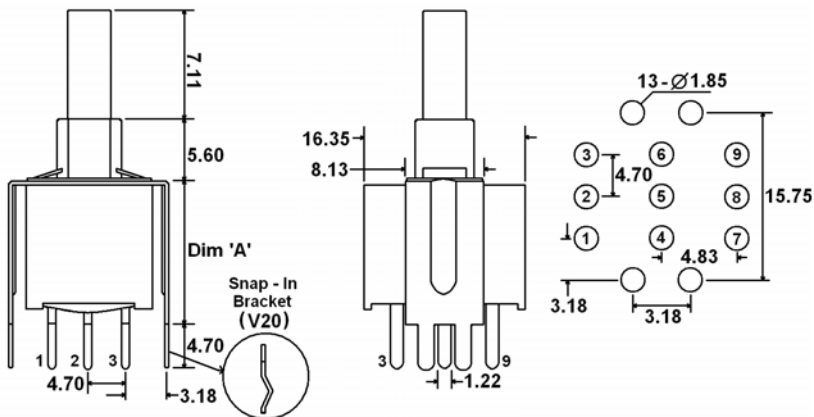
Terminal Option	"A" Dimension
S20-V20	11.68
S25-V25	16.00

S20/S25 (V20/V25 – Snap-in Bracket) = PC Pins with Support Bracket (Single Pole)



Terminal Option	"A" Dimension
S20-V20	11.68
S25-V25	16.00

S20/S25 (V20/V25 – Snap-in Bracket) = PC Pins with Support Bracket (Double Pole)



Terminal Option	"A" Dimension
S20-V20	11.68
S25-V25	16.00

S20/S25 (V20/V25 – Snap-in Bracket) = PC Pins with Support Bracket (Three Pole)

CONTACT OPTIONS

Designator	Contact Material	Terminal Material	Electrical Ratings
Q	Silver Plating	Silver Plating	3A @ 120 VAC, 28VDC; 1A @ 250VAC
R	Gold over Nickel Plating	Gold over Nickel Plating	.4 VA max @ 20VAC or VDC max
G	Gold over Silver Plating	Gold over Silver Plating	.4 VA max @ 20VAC or VDC max or 3A @ 120 VAC, 28VDC; 1A @ 250VAC

CAP OPTIONS

<p>C73_ 1 = White, 2 = Black, 3 = Red Contact Factory for other available colors</p>	<p>C74_ 1 = White, 2 = Black, 3 = Red Contact Factory for other available colors</p>	<p>C75_ 1 = White, 2 = Black, 3 = Red Contact Factory for other available colors</p>
<p>C76_ 1 = White, 2 = Black, 3 = Red Contact Factory for other available colors</p>	<p>C77_ 1 = White, 2 = Black, 3 = Red Contact Factory for other available colors</p>	

HARDWARE **Two hex nuts, one lock washer, & one locking ring supplied standard with threaded bushings

<p>Hex Nut</p>	<p>Lock Washer</p>	<p>Locking Ring</p>	<p>Dress Nut</p>	<p>Knurled Nut</p>	<p>Knurled Nut</p>
----------------	--------------------	---------------------	------------------	--------------------	--------------------

****For use with E Bushing**