



**Data Sheet**



Product Category: IF SAW Filter

Part Number: 835-IF70.0M-JA      Package: 35.0 x 12.8 Thru Hole      Application: Base Station & Repeater      Last Modified: May 24 2003

TYPE :  
70.0 MHz Bandpass Filter  
20.5 MHz Bandwidth

PART NUMBER :  
**835-IF70.0M-JA**

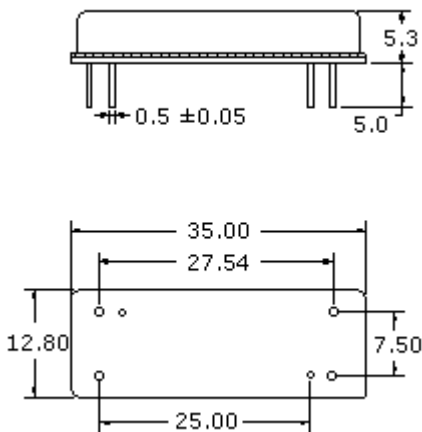


**OPERATING CONDITIONS / ELECTRICAL CHARACTERISTICS**

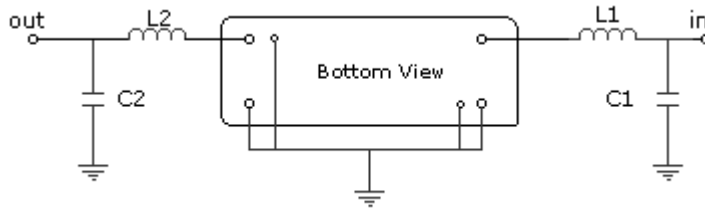
PARAMETERS	Minimum	Typical	Maximum	Units
Center Frequency	69.94	70.00	70.06	MHz
Insertion Loss	-	22.0	23.0	dB
1dB Bandwidth	20.20	20.25	-	MHz
3dB Bandwidth	20.50	20.55	-	MHz
40dB Bandwidth	-	21.69	21.80	MHz
50dB Bandwidth	-	21.80	22.00	MHz
Passband Ripple	-	0.70	1.0	dB
Group Delay Variation	-	65	100	nsec
Absolute Delay	-	2.65	-	µsec
Ultimate Rejection	50	55	-	dB
Substrate Material	-	LN	-	-
Ambient Temperature	-	25	-	°C

\* Custom SAW IF Filters available. Contact Oscilent for assistance.

**PACKAGE OUTLINE (mm)**



**TEST FIXTURE**



L1 = 150nH      C1 = 43pF  
L2 = (150+39)nH      C2 = 39pF  
Source/Load Impedance = 50 ohms

Part No.: 835-IF70.0M-JA

**Oscilent Corporation** - CALL **949.252.0522**

17962 Sky Park Circle . Building D . Irvine . CA 92614 . USA  
Fax: 949.252.0599 . E-Mail: Sales@Oscilent.com

---

[Crystal Oscillators](#) | [Quartz Crystal](#) | [TCXO](#) | [VCXO](#) | [IF SAW Filter](#) | [RF SAW Filter](#) | [Ceramic Resonator](#)  
[Crystal Filter](#) | [Ceramic Filter](#) | [SAW Filter / SAW Devices](#) | [Site Map](#)