



Part Number	Package	Application	Last Modified
835-IF160.0M-L	35 x 12.8mm	Base Station & Repeater	Apr 18, 2007

TYPE :
 140.0 MHz Bandpass Filter
 Through Hole Package

PART NUMBER :
835-IF160.0M-L



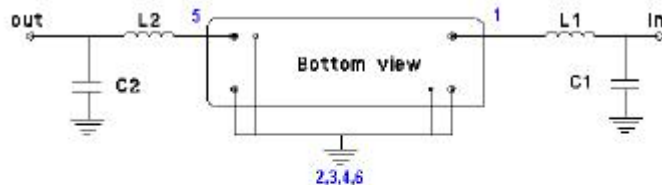
OPERATING CONDITIONS / ELECTRICAL CHARACTERISTICS

PARAMETERS	Minimum	Typical	Maximum	Units
Center Frequency	159.9	160.0	160.1	MHz
Insertion Loss at Fo	-	30.4	31.5	dB
Operating Temperature Range	-30	-	+70	°C
Storage Temperature Range	-40	-	+85	°C
Source Impedance (single ended)*	-	50	-	ohm
Load Impedance (single ended)*	-	50	-	ohm
Bandwidth at -1.5 dB	13.9	14.12	-	MHz
Bandwidth at -3.0 dB	14.1	14.29	-	MHz
Bandwidth at -40.0 dB	-	15.38	15.6	MHz
Ultimate Rejection	50	55	-	dB
Amplitude Ripple (Fo +/-6.875MHz)	-	0.65	1.0	dBp-p
Group Delay Variation (Fo +/- 6.875MHz)	-	50	100	nsec
Absolute Delay at Fo	-	3.52	-	µsec
Temperature Coefficient	-	-20	-	ppm/°C

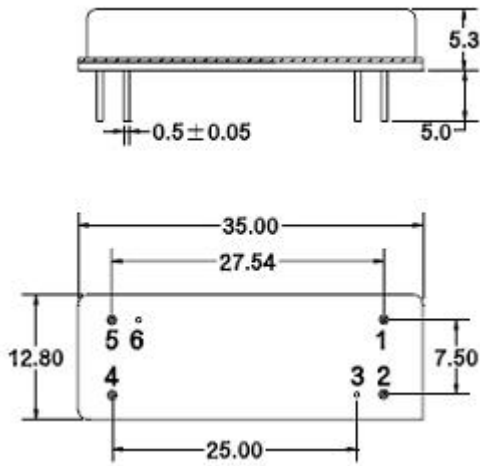
*With Matching Network (Reference Testing Environment Circuit as shown) Modify Impedance Values as necessary.

PACKAGE OUTLINE (mm)

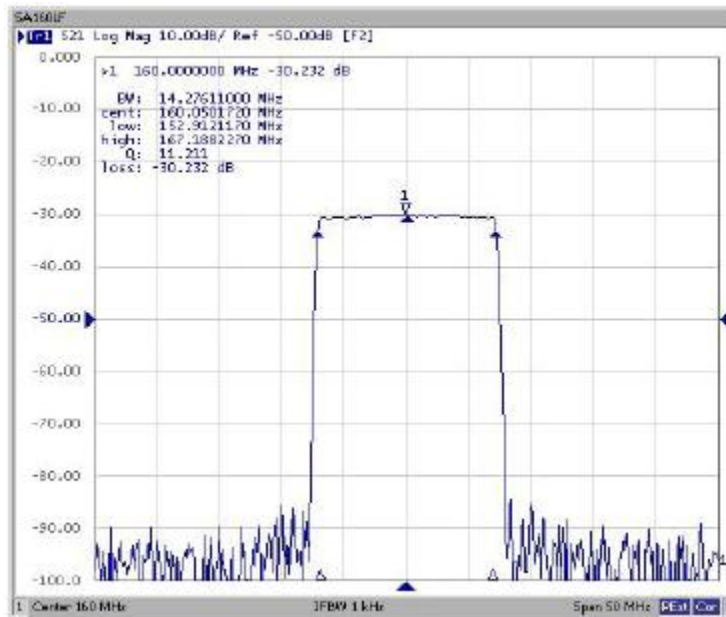
TEST FIXTURE



Test Fixture & Values	
Input	L1=33nH, C1=27pF
Output	L2=33nH, C2=10pF



FREQUENCY RESPONSE



Oscilent Corporation - CALL **949.252.0522**

Part No.: 835-IF160.0M-L

18195 East McDermott Street, Building D, Irvine, CA 92614, USA
 Fax: 949.252.0599, E-Mail: Sales@Oscilent.com