

527-254 EMI-RFI Strain-Relief Backshell Assembly for Boeing BACC65 Connector



Miscellaneous
Rectangular
Backshells

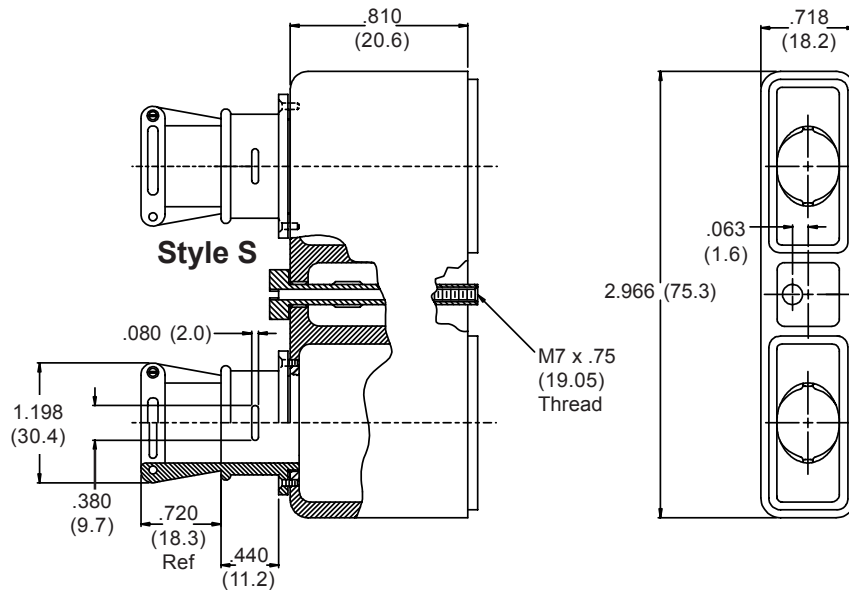
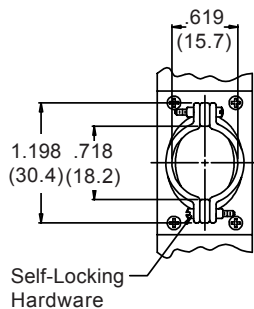
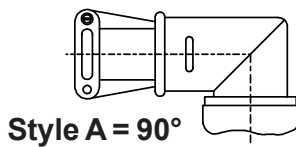
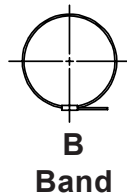
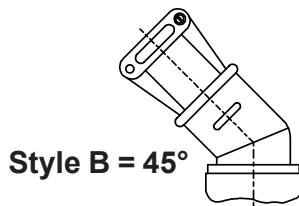
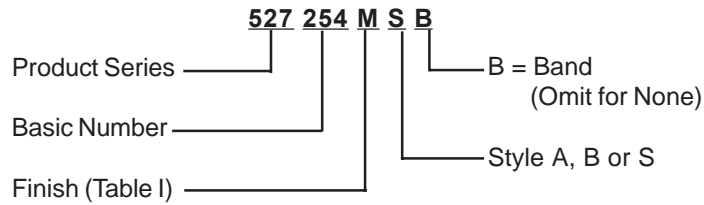


TABLE I: FINISH OPTIONS

Symbol	Finish	Symbol	Finish
B	Cadmium Plate/Olive Drab	NC	Zinc Cobalt/Dark Olive Drab
C*	Black Anodize	NF	Cadmium Plate/Olive Drab over Electroless Nickel
G*	Anodic Hard Coat	T	Cadmium Plate/Bright over Electroless Nickel
J	Gold Iridite over Cadmium Plate over Electroless Nickel	U**	Cadmium Plate/Black
LF	Cadmium Plate/Bright over Electroless Nickel	ZN	Zinc-Nickel Alloy/Olive Drab
M	Electroless Nickel	*Anodize finish is not suitable for EMI shielding or grounding applications.	
N	Cadmium Plate/Olive Drab over Electroless Nickel	**Applicable to corrosion resisting steel backshells and accessories. Consult factory for other available finishes.	

Metric dimensions (mm) are indicated in parentheses