

Micro-D Backshells

EMI, Banding, Elliptical, Split, 507-178



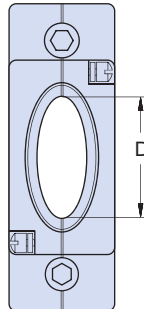
Split Backshell With Elliptical Cable Entry provides added room for larger wire bundles. Terminate cable shields with **BAND-IT**® microbands.

Floating Jackscrews allow the connectors to be mated prior to engaging the screws.

Rugged Aluminum housing with stainless steel hardware, available in standard nickel plating, or choose optional finishes.

HOW TO ORDER 507-178 EMI BACKSHELLS

Series	Shell Finish	Connector Size	Cable Entry Code			EMI Band Strap Option	Hardware Option	
507-178	E – Chem Film (Alodyne)	09 15	D	In.	mm.	Available on Shell Size	OMIT - Band Strap Not Supplied B – Microband Supplied (600-057) K – Coiled Microband Supplied (600-057-1) H – Hex Head Jackscrew E – Extended Jackscrew FF – Jackpost, Female	
								Code
	J – Cadmium, Yellow Chromate	21 25	04					09, 15, 21
	NF – Cadmium, Olive Drab	51 51-2	06			21 Thru 51		
								Z2 – Gold
			08			25 Thru 51		
			10			31 Thru 100		
			12			37 Thru 100		
			14			51-2, 67, 69, 100		
			16			51-2, 67, 69, 100		



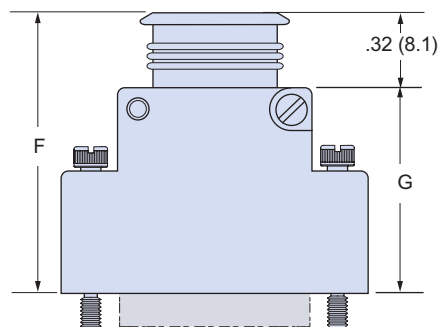
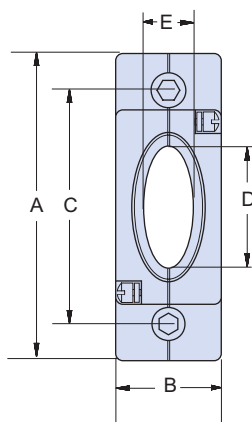
Sample Part Number

507-178 M 25 06

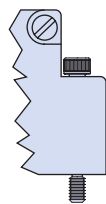
MATERIALS (SEE ORDERING INFO FOR FINISH OPTIONS)

Shell, Saddle Clamps	Aluminum Alloy 6061 -T6 Per QQ-A-200, QQ-A-225 (Machined Components) Aluminum Alloy 6061-T6 Per QQ-A-591 (A380) (Die-Cast Components)
Clips	17-7PH Stainless Steel
Jackscrews, Washers, Jackposts	300 Series Stainless Steel, Passivated

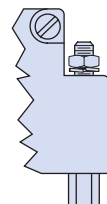
CABLE ENTRY			
Code	D		Available on Shell Size
	In. ± .010	mm. ± 0.25	
04	.250	6.35	09, 15, 21
05	.312	7.92	15 Thru 31
06	.375	9.53	21 Thru 51
07	.437	11.10	25 Thru 51
08	.500	12.70	25 Thru 51
09	.562	14.27	31 Thru 100
10	.625	15.88	31 Thru 100
11	.688	17.48	37 Thru 100
12	.750	19.05	37 Thru 100
13	.812	20.62	37,51-2,67,69,100
14	.875	22.23	51-2, 67, 69, 100
15	.938	23.83	51-2, 67, 69, 100
16	1.000	25.40	51-2, 67, 69, 100



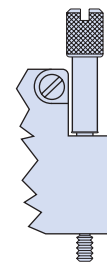
NO DESIGNATOR
SLOT HEAD
LOW PROFILE



CODE H
HEX HEAD
JACKSCREW



CODE FF
FEMALE
JACKPOST



CODE E
EXTENDED
JACKSCREW

DIMENSIONS

Size	A Max.		B Max.		C		E		F Max.		G Max.	
	In.	mm.	In.	mm.	In.	mm.	In. ± .010	mm. ± 0.25	In.	mm.	In.	mm.
09	.915	23.24	.450	11.43	.565	14.35	.160	4.06	1.033	26.24	.721	18.31
15	1.065	27.05	.450	11.43	.715	18.16	.190	4.83	1.096	27.84	.783	19.89
21	1.215	30.86	.450	11.43	.865	21.97	.220	5.59	1.127	28.63	.815	20.70
25	1.315	33.40	.450	11.43	.965	24.51	.260	6.60	1.190	30.23	.877	22.28
31	1.465	37.21	.450	11.43	1.115	28.32	.275	6.99	1.221	31.01	.908	23.06
37	1.615	41.02	.450	11.43	1.265	32.13	.285	7.24	1.283	32.59	.971	24.66
51	1.565	39.75	.495	12.57	1.215	30.86	.350	8.89	1.346	34.19	1.033	26.24
51-2	1.965	49.91	.450	11.43	1.615	41.02	.350	8.89	1.346	34.19	1.033	26.24
67	2.365	60.07	.450	11.43	2.015	51.18	.350	8.89	1.346	34.19	1.033	26.24
69	1.865	47.37	.495	12.57	1.515	38.48	.350	8.89	1.346	34.19	1.033	26.24
100	2.305	58.55	.540	13.72	1.800	45.72	.490	12.45	1.408	35.76	1.096	27.83