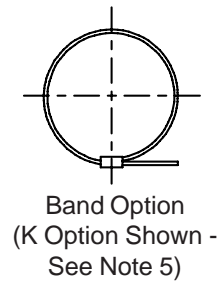
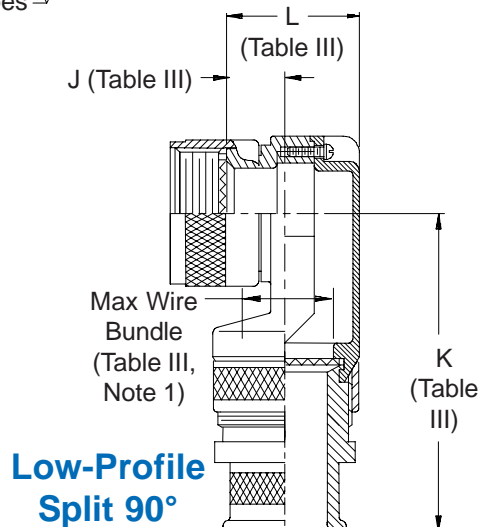
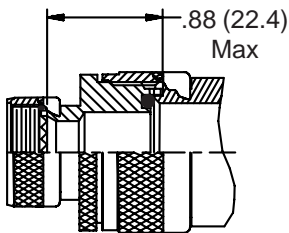
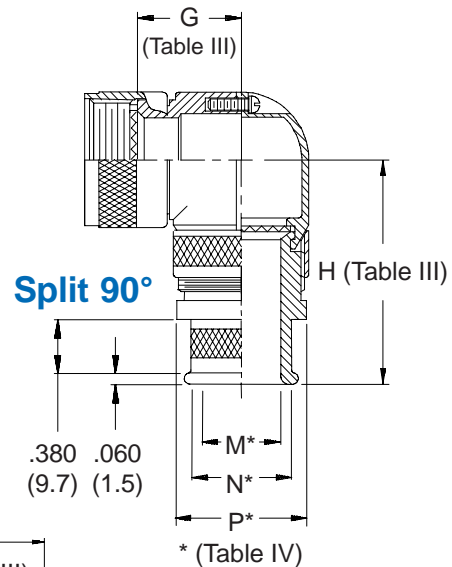
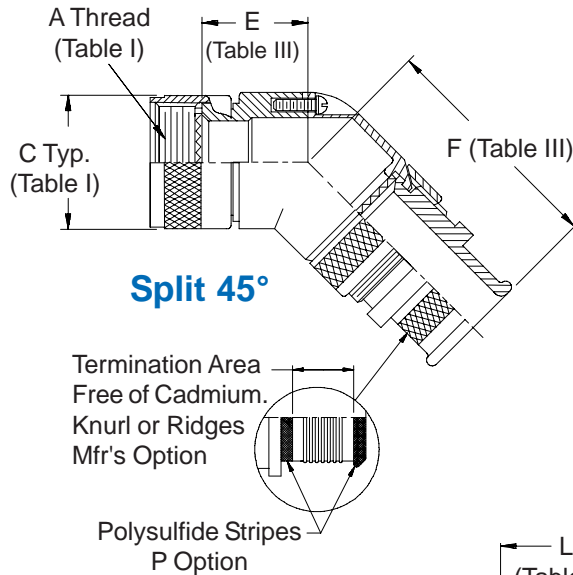
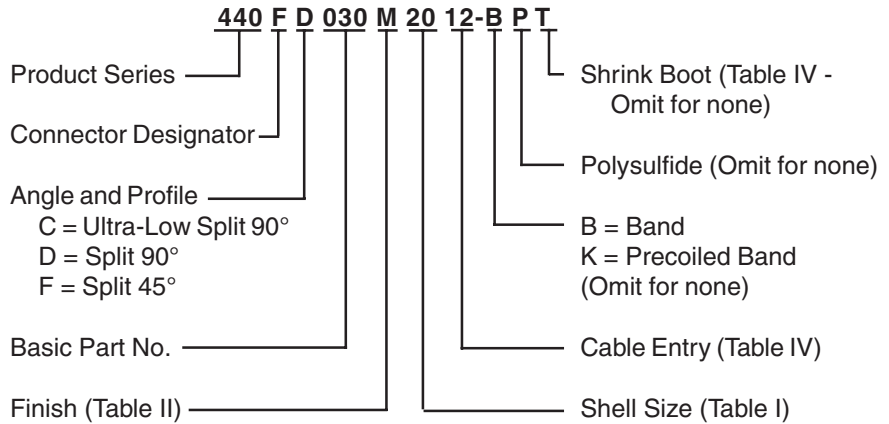


CONNECTOR DESIGNATORS
A-F-H-L-S
ROTATABLE COUPLING



440-030
EMI/RFI Banding and Shrink Boot Adapter
Rotatable Coupling - Split Shell



See inside back cover fold-out or pages 13 and 14 for Tables I and II.

TABLE III: ELBOW DIMENSIONS

Shell Size	E Max	F Max	G Max	H Max	J Ref	K Max	L Max	Function C Max Wire Bundle
08/09	.440 (11.2)	1.635 (41.5)	.680 (17.3)	1.575 (40.0)	.340 (8.6)	1.915 (48.6)	.681 (17.3)	.250 (6.4)
10/11	.500 (12.7)	1.695 (43.1)	.750 (19.1)	1.635 (41.5)	.270 (6.9)	2.075 (52.7)	.731 (18.6)	.375 (9.5)
12/13	.560 (14.2)	1.765 (44.8)	.810 (20.6)	1.705 (43.3)	.270 (6.9)	2.075 (52.7)	.731 (18.6)	.375 (9.5)
14/15	.620 (15.7)	1.795 (45.6)	.870 (22.1)	1.735 (44.1)	.280 (7.1)	2.145 (54.5)	.831 (21.1)	.500 (12.7)
16/17	.680 (17.3)	1.895 (48.1)	.930 (23.6)	1.835 (46.6)	.420 (10.7)	2.195 (55.8)	.981 (24.9)	.625 (15.9)
18/19	.750 (19.1)	1.955 (49.7)	1.000 (25.4)	1.895 (48.1)	.640 (16.3)	2.225 (56.5)	1.181 (30.0)	.625 (15.9)
20/21	.820 (20.8)	2.015 (51.2)	1.060 (26.9)	1.955 (49.7)	.640 (16.3)	2.225 (56.5)	1.181 (30.0)	.625 (15.9)
22/23	.880 (22.4)	2.075 (52.7)	1.120 (28.4)	2.015 (51.2)	.540 (13.7)	2.375 (60.3)	1.181 (30.0)	.750 (19.1)
24/25	.940 (23.9)	2.135 (54.2)	1.180 (30.0)	2.075 (52.7)	.540 (13.7)	2.375 (60.3)	1.181 (30.0)	.750 (19.1)

TABLE IV: CABLE ENTRY

Dash No.	M	N	P	Shrink Boot *
01	.125 (3.2)	.250 (6.4)	.312 (7.9)	n/a
31	.188 (4.8)	.312 (7.9)	.374 (9.5)	202K121-25-0
02	.250 (6.4)	.375 (9.5)	.437 (11.1)	202K121-25-0
32	.312 (7.9)	.438 (11.1)	.500 (12.7)	202K121-25-0
03	.375 (9.5)	.500 (12.7)	.562 (14.3)	202K121-25-0
33	.438 (11.1)	.562 (14.3)	.624 (15.8)	202K132-25-0
04	.500 (12.7)	.625 (15.9)	.687 (17.4)	202K132-25-0
34	.562 (14.3)	.688 (17.5)	.750 (19.1)	202K132-25-0
05	.625 (15.9)	.750 (19.1)	.812 (20.6)	202K132-25-0
35	.688 (17.5)	.812 (20.6)	.874 (22.2)	202K142-25-0
06	.750 (19.1)	.875 (22.2)	.937 (23.8)	202K142-25-0
36	.812 (20.6)	.938 (23.8)	1.000 (25.4)	202K153-25-0
07	.875 (22.2)	1.000 (25.4)	1.062 (27.0)	202K153-25-0
37	.938 (23.8)	1.062 (27.0)	1.124 (28.5)	202K153-25-0
08	1.000 (25.4)	1.125 (28.6)	1.187 (30.1)	202K153-25-0
38	1.062 (27.0)	1.188 (30.2)	1.250 (31.8)	202K163-25-0
09	1.125 (28.6)	1.250 (31.8)	1.312 (33.3)	202K163-25-0
10	1.250 (31.8)	1.375 (34.9)	1.437 (36.5)	202K163-25-0
11	1.375 (34.9)	1.500 (38.1)	1.562 (39.7)	202K174-25-0
12	1.500 (38.1)	1.625 (41.3)	1.687 (42.8)	202K174-25-0
13	1.625 (41.3)	1.750 (44.5)	1.812 (46.0)	202K174-25-0
14	1.750 (44.5)	1.875 (47.6)	1.937 (49.2)	202K185-25-0
15	1.875 (47.6)	2.000 (50.8)	2.062 (52.4)	202K185-25-0
16	2.000 (50.8)	2.125 (54.0)	2.187 (55.5)	202K185-25-0

* Raychem Shrink Boot Supplied with "T" Option (see Part Number Development)

1. When maximum cable entry (page 21) is exceeded, Style 2 will be supplied (not available in Function C). Dimensions E, F, G, and H will not apply. Please consult factory.
2. Metric dimensions (mm) are indicated in parentheses.
3. Consult factory for shorter lengths on straight backshells.
4. See page 40 for Shrink Boot Reference Information.
5. Backshells supplied with 600-052-* band, see Glenair Series 600 Tool Catalog for installation.
6. Angular function "C", low-profile split elbow, not available with "S" connector designator.