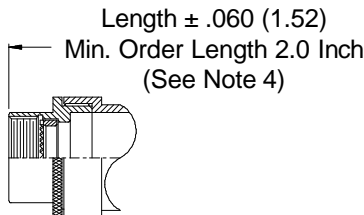
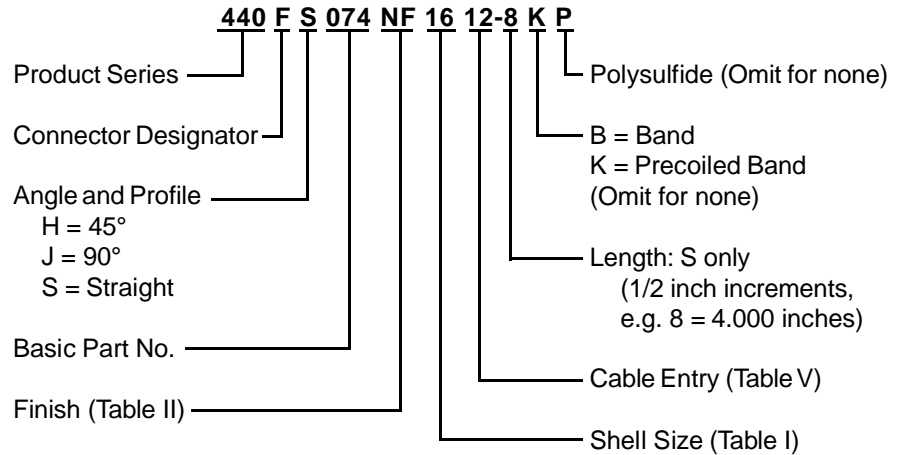
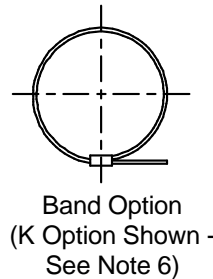
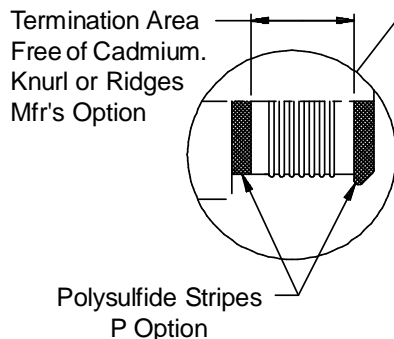
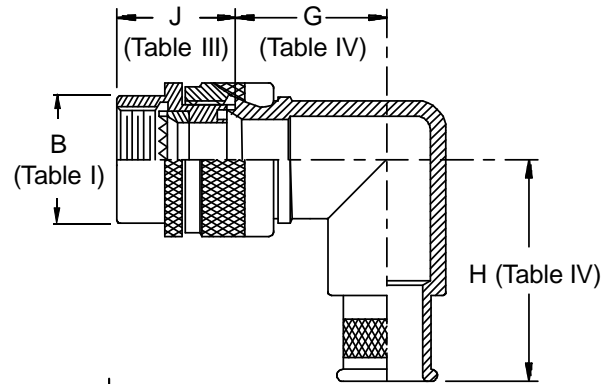
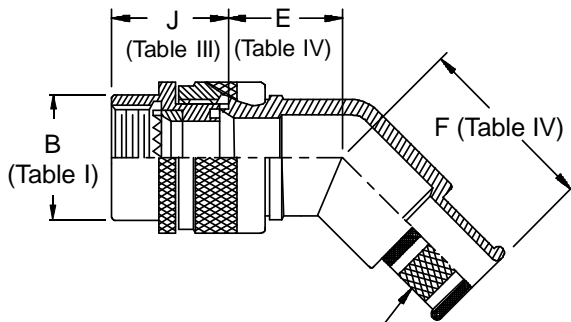
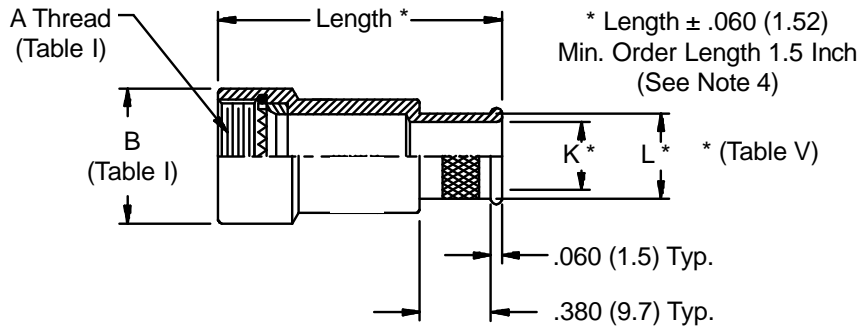


CONNECTOR DESIGNATORS
A-B*-C-D-E-F
G-H-J-K-L-S
 * Conn. Desig. B See Note 5
DIRECT COUPLING



STYLE 2 (STRAIGHT)
 See Note 1)



See inside back cover fold-out or pages 13 and 14 for Tables I and II.

TABLE III: FRONT ADAPTER			
Shell Size	J Max - Conn. Designator		
	A-E-F		
	J-H-L-S	D-B-G-K	C
08/09	1.180 (30.0)	1.250 (31.8)	
10/11	1.180 (30.0)	1.250 (31.8)	
12/13	1.180 (30.0)	1.250 (31.8)	1.735 (44.1)
14/15	1.180 (30.0)	1.250 (31.8)	1.915 (48.6)
16/17	1.380 (35.0)	1.560 (39.6)	1.915 (48.6)
18/19	1.380 (35.0)	1.560 (39.6)	1.915 (48.6)
20/21	1.380 (35.0)	1.560 (39.6)	1.915 (48.6)
22/23	1.380 (35.0)	1.560 (39.6)	1.915 (48.6)
24/25	1.380 (35.0)	1.560 (39.6)	1.915 (48.6)
28/29	1.610 (40.9)	1.560 (39.6)	1.915 (48.6)
32/33	1.610 (40.9)	1.750 (44.5)	1.915 (48.6)
36	1.610 (40.9)	1.750 (44.5)	1.915 (48.6)
40	1.610 (40.9)	2.190 (55.6)	1.915 (48.6)

TABLE IV: ELBOW DIMENSIONS					
Elbow Size	E Max	F Max	G Max	H Max	
02	.639 (16.2)	.890 (22.6)	.750 (19.1)	1.000 (25.4)	
03	.664 (16.9)	.920 (23.4)	.810 (20.6)	1.060 (26.9)	
04	.688 (17.5)	.940 (23.9)	.870 (22.1)	1.120 (28.4)	
05	.688 (17.5)	.940 (23.9)	.870 (22.1)	1.120 (28.4)	
06	.688 (17.5)	.940 (23.9)	.870 (22.1)	1.120 (28.4)	
07	.705 (17.9)	.970 (24.6)	.920 (23.4)	1.190 (30.2)	
08	.732 (18.6)	.990 (25.1)	.980 (24.9)	1.250 (31.8)	
09	.732 (18.6)	.990 (25.1)	.980 (24.9)	1.250 (31.8)	
10	.748 (19.0)	1.000 (25.4)	1.020 (25.9)	1.270 (32.3)	
11	.773 (19.6)	1.020 (25.9)	1.080 (27.4)	1.330 (33.8)	
12	.773 (19.6)	1.020 (25.9)	1.080 (27.4)	1.330 (33.8)	
13	.800 (20.3)	1.060 (26.9)	1.140 (29.0)	1.410 (35.8)	
14	.800 (20.3)	1.060 (26.9)	1.140 (29.0)	1.410 (35.8)	
15	.823 (20.9)	1.090 (27.7)	1.200 (30.5)	1.480 (37.6)	
16	.823 (20.9)	1.090 (27.7)	1.200 (30.5)	1.480 (37.6)	

TABLE V: CABLE ENTRY				
Dash No.	K		L	
	Dia		Dia	
02	.125	(3.2)	.250	(6.4)
03	.188	(4.8)	.312	(7.9)
04	.250	(6.4)	.375	(9.5)
05	.312	(7.9)	.438	(11.1)
06	.375	(9.5)	.500	(12.7)
07	.438	(11.1)	.562	(14.3)
08	.500	(12.7)	.625	(15.9)
09	.562	(14.3)	.688	(17.5)
10	.625	(15.9)	.750	(19.1)
11	.688	(17.5)	.812	(20.6)
12	.750	(19.1)	.875	(22.2)
13	.812	(20.6)	.938	(23.8)
14	.875	(22.2)	1.000	(25.4)
15	.938	(23.8)	1.062	(27.0)
16	1.000	(25.4)	1.125	(28.6)
17	1.062	(27.0)	1.188	(30.2)
18	1.125	(28.6)	1.250	(31.8)
20	1.250	(31.8)	1.375	(34.9)
22	1.375	(34.9)	1.500	(38.1)
24	1.500	(38.1)	1.625	(41.3)

1. When maximum cable entry (page 22) is exceeded, Style 2 will be supplied. (Function S only).
2. Metric dimensions (mm) are indicated in parentheses.
3. Cable range is defined as the accommodations range for the wire bundle or cable. Dimensions shown are not intended for inspection criteria.
4. Consult factory for shorter lengths on straight backshells.
5. When using Connector Designator B refer to pages 18 and 19 for part number development.
6. Backshells supplied with 600-052-* band, see Glenair Series 600 Tool Catalog for installation.