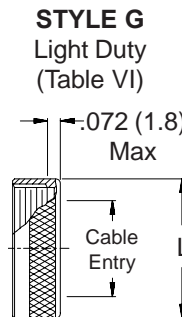
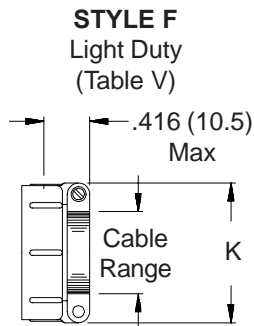
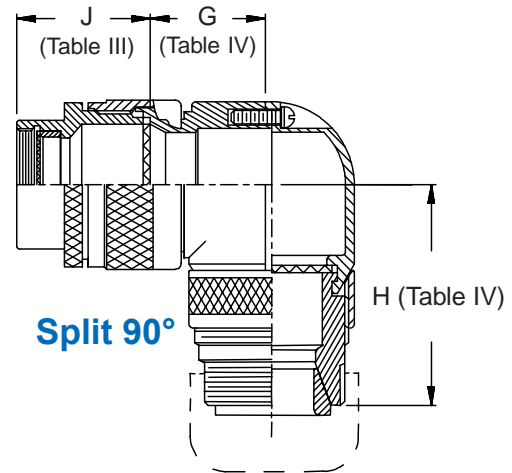
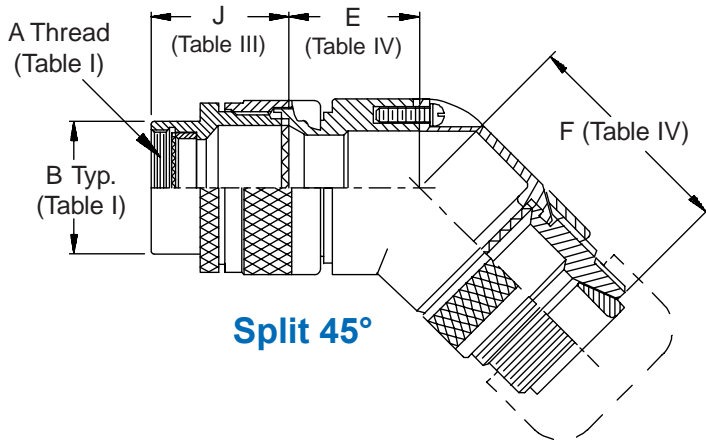
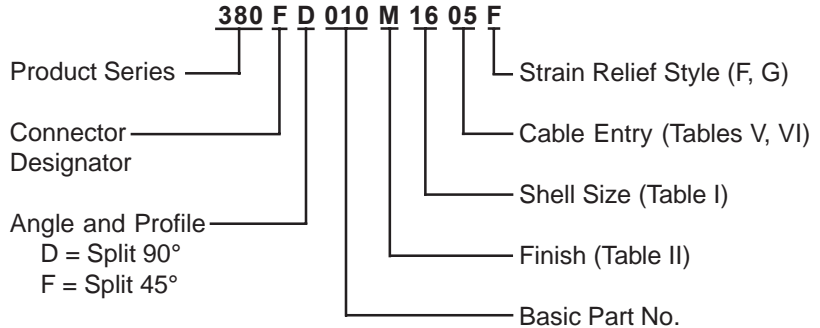


**CONNECTOR  
DESIGNATORS  
A-B\*-C-D-E-F  
G-H-J-K-L-S**

\* Conn. Desig. B See Note 3  
**DIRECT COUPLING**

**TYPE D INDIVIDUAL  
OR OVERALL SHIELD  
TERMINATION**



**380-010**  
**EMI/RFI Non-Environmental Backshell**  
with Strain Relief  
**Type D - Direct Coupling - Split Shell**



**TABLE III: FRONT ADAPTER**

Shell Size	J Max - Conn. Designator		
	A-E-F		
	J-H-L-S	D-B-G-K	C
08/09	1.180 (30.0)	1.250 (31.8)	
10/11	1.180 (30.0)	1.250 (31.8)	
12/13	1.180 (30.0)	1.250 (31.8)	1.735 (44.1)
14/15	1.180 (30.0)	1.250 (31.8)	1.915 (48.6)
16/17	1.380 (35.0)	1.560 (39.6)	1.915 (48.6)
18/19	1.380 (35.0)	1.560 (39.6)	1.915 (48.6)
20/21	1.380 (35.0)	1.560 (39.6)	1.915 (48.6)
22/23	1.380 (35.0)	1.560 (39.6)	1.915 (48.6)
24/25	1.380 (35.0)	1.560 (39.6)	1.915 (48.6)
28/29	1.610 (40.9)	1.560 (39.6)	1.915 (48.6)
32/33	1.610 (40.9)	1.750 (44.5)	1.915 (48.6)
36	1.610 (40.9)	1.750 (44.5)	1.915 (48.6)
40	1.610 (40.9)	2.190 (55.6)	1.915 (48.6)

See inside back cover fold-out or pages 13 and 14 for unabridged Tables I and II.

1. Metric dimensions (mm) are indicated in parentheses.
2. Cable range is defined as the accommodations range for the wire bundle or cable. Dimensions shown are not intended for inspection criteria.
3. When using Connector Designator B refer to pages 18 and 19 for part number development.

**TABLE IV: ELBOW DIMENSIONS**

Elbow Size	E Max	F Max	G Max	H Max
01	.440 (11.2)	1.730 (43.9)	.680 (17.3)	1.670 (42.4)
02	.440 (11.2)	1.730 (43.9)	.680 (17.3)	1.670 (42.4)
03	.500 (12.7)	1.785 (45.3)	.750 (19.1)	1.725 (43.8)
04	.560 (14.2)	1.855 (47.1)	.810 (20.6)	1.795 (45.6)
05	.680 (17.3)	1.987 (50.5)	.870 (22.1)	1.827 (46.4)
06	.750 (19.1)	2.045 (51.9)	.930 (23.6)	1.927 (48.9)
07	.820 (20.8)	2.106 (53.5)	1.000 (25.4)	1.985 (50.4)
08	.880 (22.4)	2.167 (55.0)	1.060 (26.9)	2.046 (52.0)
09	.940 (23.9)	2.225 (56.5)	1.120 (28.4)	2.107 (53.5)
10	1.000 (25.4)	2.285 (58.0)	1.180 (30.0)	2.165 (55.0)

**TABLE II: STANDARD FINISHES**

GLENAIR SYMBOL	FINISH
B	Cadmium Plate, Olive Drab
M	Electroless Nickel
NF	Cadmium Plate, Olive Drab Over Electroless Nickel

See Inside Back Cover for Additional Finish Options

**TABLE V: CABLE ENTRY**

Dash No.	K Max	Cable Range	
		Min	Max
02	.968 (24.6)	.125 (3.2)	.250 (6.4)
03	1.046 (26.6)	.250 (6.4)	.375 (9.5)
04	1.156 (29.4)	.312 (7.9)	.500 (12.7)
05	1.218 (30.9)	.437 (11.1)	.625 (15.9)
06	1.343 (34.1)	.562 (14.3)	.750 (19.1)
07	1.468 (37.3)	.687 (17.4)	.875 (22.2)
08	1.593 (40.5)	.812 (20.6)	1.000 (25.4)
10	1.843 (46.8)	1.062 (27.0)	1.250 (31.8)

**TABLE VI: CABLE ENTRY**

Dash No.	L Max	Cable Entry Max
02	.781 (19.8)	.250 (6.4)
03	.906 (23.0)	.375 (9.5)
04	1.031 (26.2)	.500 (12.7)
05	1.156 (29.4)	.625 (15.9)
06	1.281 (32.5)	.750 (19.1)
07	1.406 (35.7)	.875 (22.2)
08	1.531 (38.9)	1.000 (25.4)
09	1.656 (42.1)	1.125 (28.6)
10	1.781 (45.2)	1.250 (31.8)