

SINGLE WINDOW SINGLE MODE WIDEBAND TREE/STAR COUPLER (NXM)

SWTC Series

Features

- ◆ Best Uniformity
- ◆ Low Insertion Loss and PDL
- ◆ High Directivity
- ◆ Highly Stable & Reliable

Applications

- ◆ Telecommunications
- ◆ CATV Fiber Optic Links
- ◆ Fiber Amplifier System
- ◆ Fiberoptic Instruments

Single Window Single Mode Wideband Tree/Star Coupler (nxm)

Oplink's single window, single mode wideband tree and star couplers are high port count bi-directional products with excellent performance over a wide bandwidth. They have very good uniformity, low excess loss and very low polarization sensitivity. All devices are tested according to industry standard test procedures and are supplied with all pertinent measurement data.

Oplink can provide customized designs to meet specialized feature applications. Also, Oplink offers modular assemblies that integrate other components to form a full function module or subsystem.

Performance Specifications

SWTC Series (NxM)	Nx4	Nx5	Nx6	Nx8	Nx16	Nx32	Nx40	Unit	
Standard Configuration	N=1,2,4	N=1	N=1,2	N=1,2,8	N=1,2,16	N=1,2	N=1,2		
Grade	P/A	P/A	P/A	P/A	P/A	P/A	P/A		
Operating Wavelength	1310 nm 1270 ~ 1350		C Band 1528 ~ 1565		L Band 1570 ~ 1650		C+L Band 1528 ~ 1610		nm
Operating Temperature	-40 to +70								°C
Storage Temperature	-40 to +85								°C
Maximum Insertion Loss	6.7/7.4	8.3/8.7	9.2/9.6	10.2/11.2	13.5/14.5	17.5/18.5	18.8/20.0	dB	
Max Uniformity	0.8/1.0	1.0/1.2	1.2/1.4	1.2/1.8	1.5/2.0	2.5/3.0	2.8/3.5	dB	
Polarization Dependent Loss	0.3	0.3	0.4	0.5	0.6	0.8	0.8	dB	
Directivity	> 55								dB
Maximum Power Handling	500								mW
Package Dimension *	P1	P1	P2	P2	P3*	P4	P4	mm	
	P1: (L)100 x (W)80 x (H)7								
	P2: (L)130 x (W)90 x (H)9								
	P3: (L)160 x (W)110 x (H)11								
	P4: (L)210 x (W)160 x (H)13								

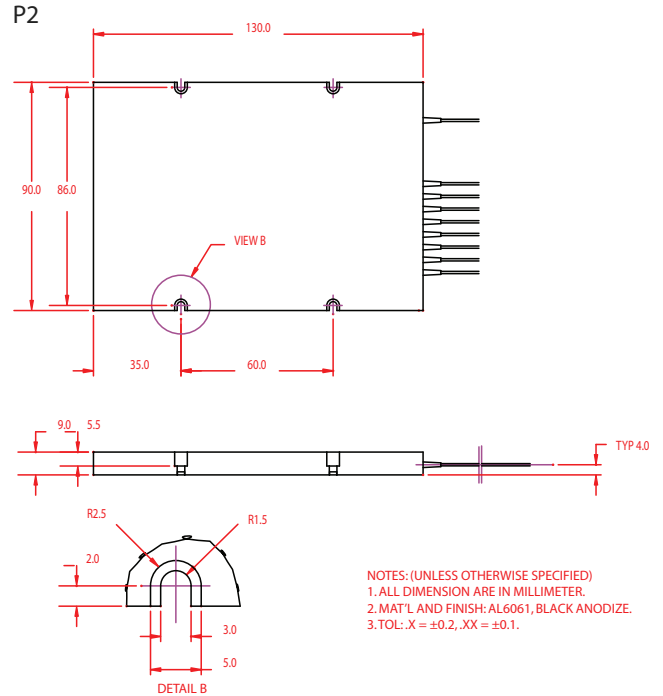
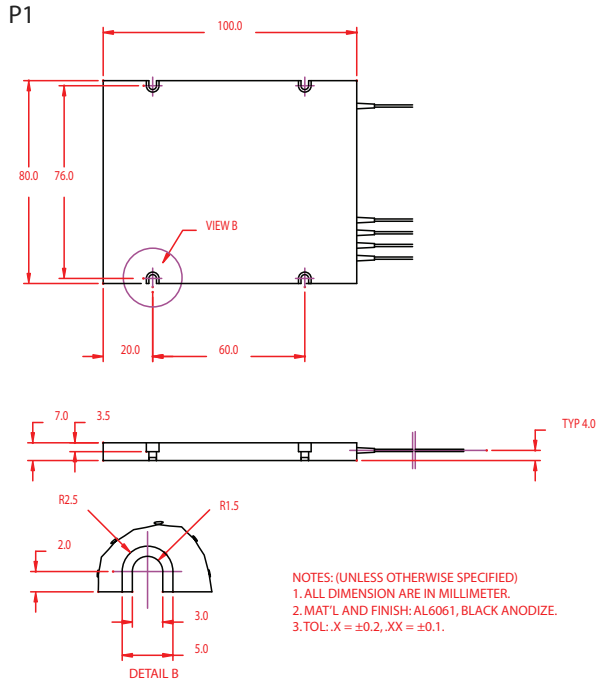
* Except for 16x16 which uses P4 package

* The mechanical tolerance should be +/-0.2 mm on all package dimensions unless otherwise custom specified.

** The maximum IL is under all states of polarization and within the full operating temperature and wavelength ranges specified, does not include contribution from connectors.

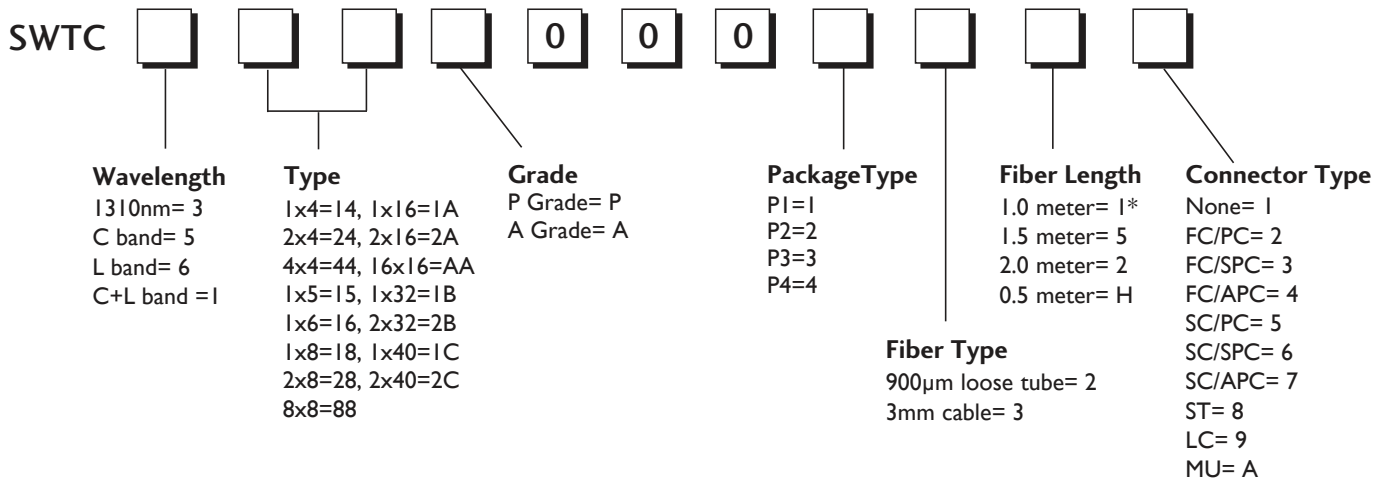


Mechanical Drawing / Package Dimensions (dimension in mm)



Ordering Information

Oplink can provide a remarkable range of customized optical solutions. For detail, please contact Oplink's OEM design team or account manager for your requirements and ordering information (510) 933-7200.



* 1 meter is standard. The lead time for special fiber length will be longer.