



## PD41 Three Digit 7 Segment 0.4" Display

### Features

- \*3 Digit .4"(10.2mm) Yellow Display
- \* Multiplex Drive with 12 Pins
- \*Low Current Requirements
- \*High Uniform Light Output
- \*IC Compatible
- \*High Reliability
- \*Gray Face, White Segments
- \*RoHS Compliant

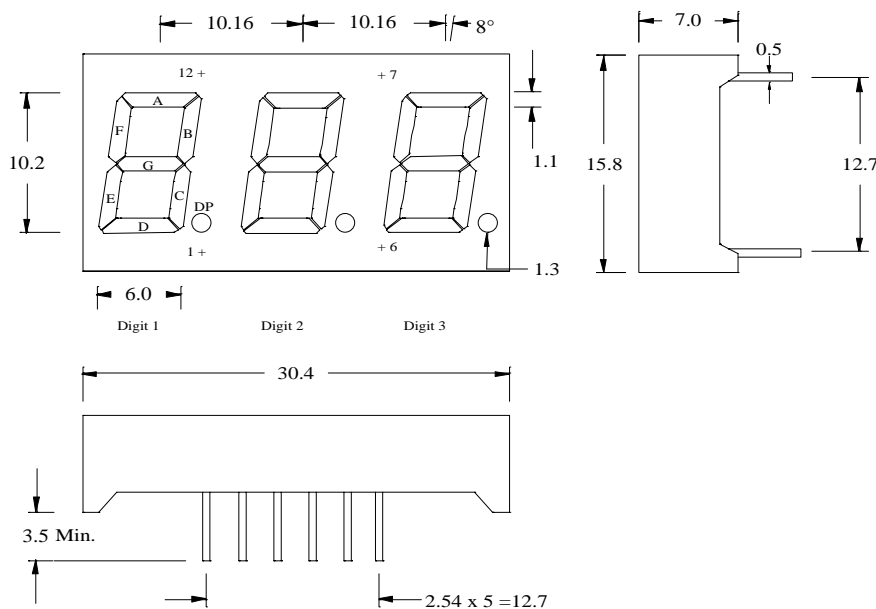
### Absolute Maximum Ratings at T<sub>A</sub> = 25° C

Power Dissipation.....	78mA
Reverse Voltage Per LED Chip (<100μA).....	5.0V
Max Forward Current Per LED Chip.....	30mA
Peak Froward Current (1/10 Duty Cycle, 0.1ms Pulse Width) .....	100mA
Operating Temperature Range .....	-25°C to + 85°C
Storage Temperature Range .....	-40°C to +100°C
Soldering Temperature (1.6mm from seating plane) .....	260° for 5 seconds

### Electrical & Optical Characteristics at T<sub>A</sub> = 25 °C

Part Number		Emitting Color	Chip Material	Dominant Wave Length	Peak Wave Length	Forward Voltage @20mA (V)		Luminous Intensity @10mA (mcd)	
						Typ	Max	Min	Typ
Common Anode	Common Cathode			nm	nm				
PD41-CAMY01	PD41-CCMY01	Yellow	GaAsP	590	585	2.1	2.6	2.5	5.0

Package dimensions All dimensions are in **Millimeters**. Tolerance is ± 0.25mm unless otherwise specified. The Slope Angle of any Pin maybe ± 5.0° max.



Function of Pin #	
Common Anode	Common Cathode
1 Cathode E	1 Anode E
2 Cathode D	2 Anode D
3 Cathode DP	3 Anode DP
4 Cathode C	4 Anode C
5 Cathode G	5 Anode G
6 No Connection	6 No Connection
7 Cathode B	7 Anode B
8 Common Anode Digit 3	8 Common Cathode Digit 3
9 Common Anode Digit 2	9 Common Cathode Digit 2
10 Cathode F	10 Anode F
11 Cathode A	11 Anode A
12 Common Anode Digit 1	12 Common Cathode Digit 1