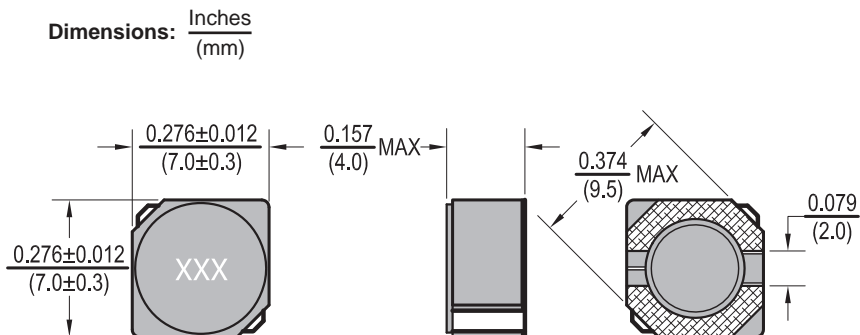
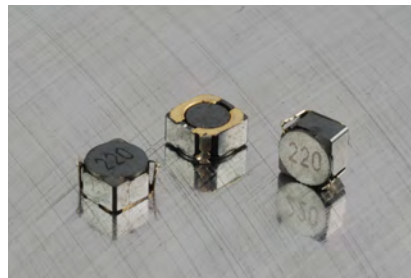




Power Chip Shielded Inductors PCS6D38



Allied Part Number	Inductance (μh)	Tolerance (%)	Test Freq. KHz, 0.1V	RDC (Ω) Max.	Rated Current (A)
PCS6D38-2R7N-RC	2.7	30	10	.020	3.6
PCS6D38-3R3N-RC	3.3	30	10	.020	3.5
PCS6D38-4R7N-RC	4.7	30	10	.022	3.1
PCS6D38-5R0N-RC	5.0	30	10	.024	2.9
PCS6D38-6R2N-RC	6.2	30	10	.027	2.5
PCS6D38-7R4N-RC	7.4	30	10	.027	2.5
PCS6D38-8R7N-RC	8.7	30	10	.031	2.3
PCS6D38-100N-RC	10	30	10	.034	2.2
PCS6D38-120N-RC	12	30	10	.038	2.0
PCS6D38-150N-RC	15	30	10	.053	1.7
PCS6D38-180N-RC	18	30	10	.057	1.6
PCS6D38-220N-RC	22	30	10	.092	1.5
PCS6D38-270N-RC	27	30	10	.096	1.3
PCS6D38-330N-RC	33	30	10	.109	1.2
PCS6D38-390N-RC	39	30	10	.124	1.1
PCS6D38-470N-RC	47	30	10	.138	.95
PCS6D38-560N-RC	56	30	10	.150	.85
PCS6D38-680N-RC	68	30	10	.202	.75
PCS6D38-820N-RC	82	30	10	.234	.70
PCS6D38-101N-RC	100	30	10	.324	.65
PCS6D38-561N-RC	560	30	10	.358	.22

All specifications subject to change without notice.

Features

- Shielded SMD Power Inductor
- Low DC resistance
- Ideal for DC-DC converter applications

Electrical

Inductance Range: 2.7μh to 560μh

Tolerance: 30% over entire range

Also, available in tighter tolerances

Operating Temp: -30°C ~ +100°C

Rated Current: Current at which inductance drops by 35% of initial value or ΔT=40°C lower, whichever is lower

Resistance to Soldering Heat

Pre-Heat 150°C, 1 Min.

Solder Composition: Sn/Ag3.0/Cu0.5

Solder Temp: 260°C +/- 5°C for

10 sec. +/- 1 sec.

Test Equipment

(L): HP4284A LF Impedance Analyzer

(RDC): Chen Hwa 502

Rated Current: HP4284+HP42841A or

Chen Hwa 1061 + Chen Hwa 301A

Physical

Packaging: 1500 pieces per 13 inch reel.

Marking: EIA Inductance Code