

DESCRIPTION

The 3826 group (A version) is the 8-bit microcomputer based on the 740 family core technology.

The 3826 group (A version) has the LCD drive control circuit, an 8-channel A/D converter, D/A converter, serial interface and PWM as additional functions.

The various microcomputers in the 3826 group (A version) include variations of internal memory size and packaging. For details, refer to the section on part numbering.

For details on availability of microcomputers in the 3826 group (A version), refer the section on group expansion.

FEATURES

- Basic machine-language instructions 71
- The minimum instruction execution time 0.4 μ s
(at 10 MHz oscillation frequency)
- Memory size
 - ROM 48 K to 60 K bytes
 - RAM 1536 to 2560 bytes
- Programmable input/output ports 55
- Software pull-up resistors Built-in
- Output ports 8
- Input ports 1
- Interrupts 17 sources, 16 vectors
 - External 7 sources (includes key input interrupt)
 - Internal 9 sources
 - Software 1 source

- Timers 8-bit \times 3, 16-bit \times 2
- Serial interface
 - Serial I/O1 8-bit \times 1 (UART or Clock-synchronous)
 - Serial I/O2 8-bit \times 1 (Clock-synchronous)
- PWM output 8-bit \times 1
- A/D converter 10-bit \times 8 channels or 8-bit \times 8 channels
- D/A converter 8-bit \times 2 channels
(used as DTMF and CTCSS function)
- LCD drive control circuit
 - Bias 1/2, 1/3
 - Duty 1/2, 1/3, 1/4
 - Common output 4
 - Segment output 40
- 2 Clock generating circuits
(connect to external ceramic resonator or quartz-crystal oscillator)
- Watchdog timer 14-bit \times 1
- Power source voltage
 - In high-speed mode ($f(X_{IN}) = 10$ MHz) 4.5 V to 5.5 V
 - In high-speed mode ($f(X_{IN}) = 8$ MHz) 4.0 V to 5.5 V
 - In middle-speed mode ($f(X_{IN}) = 6$ MHz) 1.8 V to 5.5 V
 - In low-speed mode 1.8 V to 5.5 V
- Power dissipation
 - In high-speed mode Typ. 28 mW
($f(X_{IN}) = 10$ MHz, $V_{CC} = 5$ V, $T_a = 25$ °C)
 - In low-speed mode Typ. 27 μ W
($f(X_{IN}) = \text{stop}$, $f(X_{CIN}) = 32$ kHz, $V_{CC} = 3$ V, $T_a = 25$ °C)
- Operating temperature range - 20 to 85°C

APPLICATIONS

Camera, household appliances, consumer electronics, etc.

PIN CONFIGURATION (TOP VIEW)

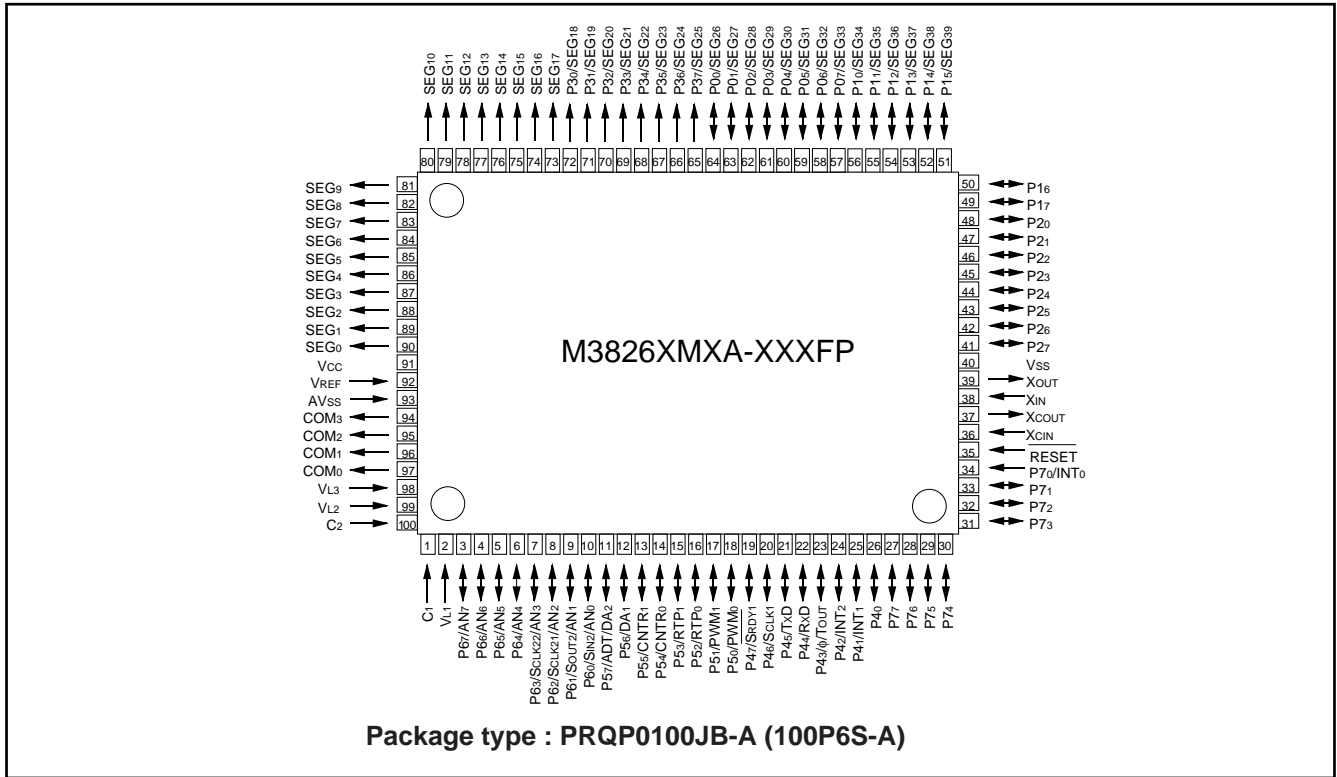


Fig. 1 Pin configuration (Package type: PRQP0100JB-A)

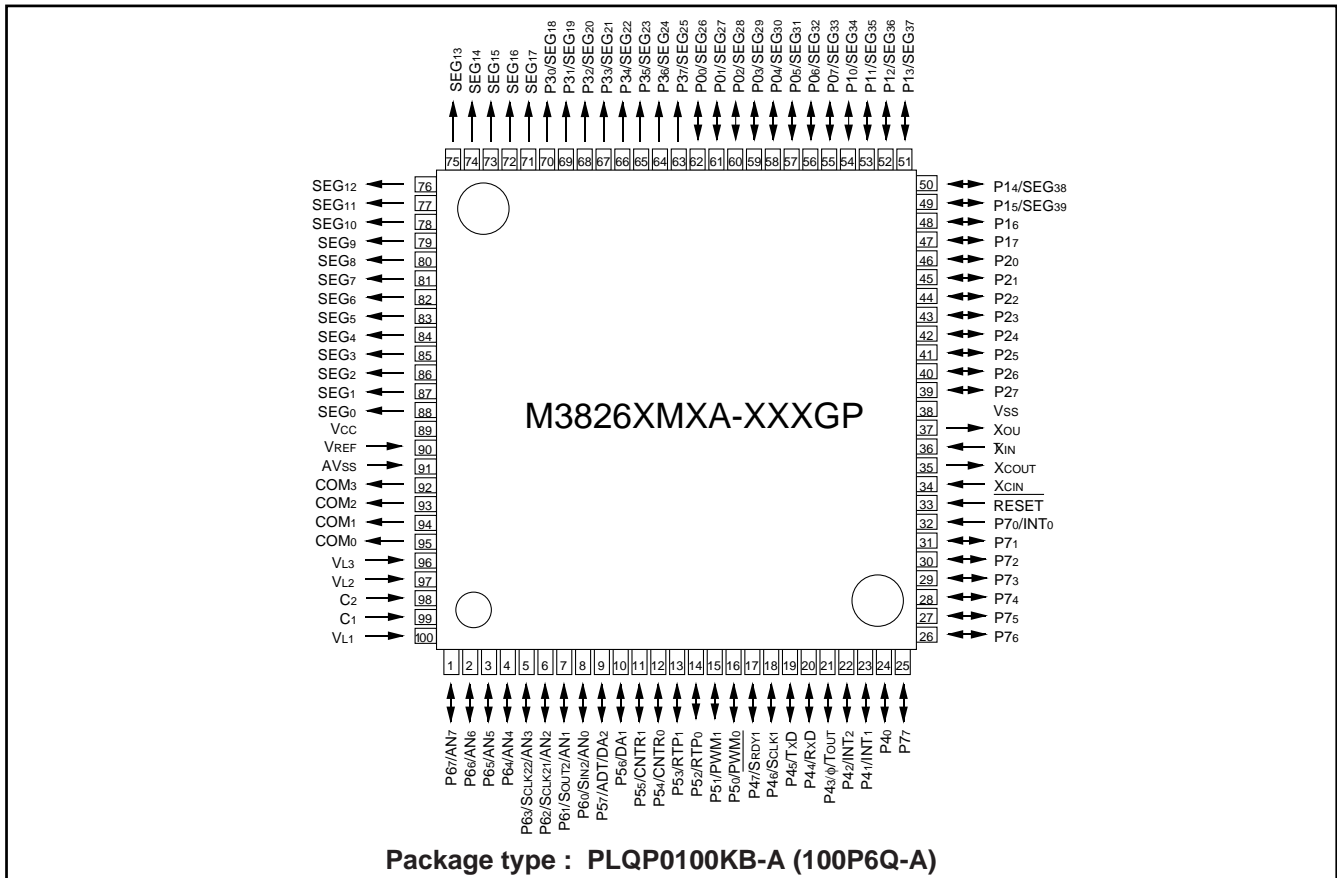


Fig. 2 Pin configuration (Package type: PLQP0100KB-A)

PIN DESCRIPTION

Table 1 Pin description (1)

Pin	Name	Function	
			Function except a port function
VCC VSS	Power source	•Apply voltage of power source to VCC, and 0 V to VSS. (For the limits of VCC, refer to "Recommended operating conditions".)	
VREF	Analog reference voltage	•Reference voltage input pin for A/D converter and D/A converter.	
AVSS	Analog power source	•GND input pin for A/D converter and D/A converter. •Connect to VSS.	
$\overline{\text{RESET}}$	Reset input	•Reset input pin for active "L".	
XIN	Clock input	•Input and output pins for the main clock generating circuit. •Connect a ceramic resonator or a quartz-crystal oscillator between the XIN and XOUT pins to set the oscillation frequency.	
XOUT	Clock output	•If an external clock is used, connect the clock source to the XIN pin and leave the XOUT pin open. A feedback resistor is built-in.	
VL1–VL3	LCD power source	•Input $0 \leq VL1 \leq VL2 \leq VL3$ voltage. •Input $0 - VL3$ voltage to LCD. ($0 \leq VL1 \leq VL2 \leq VL3$ when a voltage is multiplied.)	
C1, C2	Charge-pump capacitor pin	•External capacitor pins for a voltage multiplier (3 times) of LCD control.	
COM0–COM3	Common output	•LCD common output pins. •COM2 and COM3 are not used at 1/2 duty ratio. •COM3 is not used at 1/3 duty ratio.	
SEG0–SEG17	Segment output	•LCD segment output pins.	
P00/SEG26– P07/SEG33	I/O port P0	<ul style="list-style-type: none"> •8-bit I/O port. •CMOS compatible input level. •CMOS 3-state output structure. •Pull-up control is enabled. •I/O direction register allows each 8-bit pin to be programmed as either input or output. 	•LCD segment output pins
P10/SEG34– P15/SEG39	I/O port P1	<ul style="list-style-type: none"> •6-bit I/O port. •CMOS compatible input level. •CMOS 3-state output structure. •Pull-up control is enabled. •I/O direction register allows each 6-bit pin to be programmed as either input or output. 	
P16, P17		<ul style="list-style-type: none"> •2-bit I/O port. •CMOS compatible input level. •CMOS 3-state output structure. •I/O direction register allows each pin to be individually programmed as either input or output. •Pull-up control is enabled. 	
P20 – P27	I/O port P2	<ul style="list-style-type: none"> •8-bit I/O port. •CMOS compatible input level. •CMOS 3-state output structure. •I/O direction register allows each pin to be individually programmed as either input or output. •Pull-up control is enabled. 	•Key input (key-on wake-up) interrupt input pins
P30/SEG18 – P37/SEG25	Output port P3	<ul style="list-style-type: none"> •8-bit output. •CMOS 3-state output structure. •Port output control is enabled. 	•LCD segment output pins

Table 2 Pin description (2)

Pin	Name	Function	
			Function except a port function
P40	I/O port P4	<ul style="list-style-type: none"> •1-bit I/O port. •CMOS compatible input level. •N-channel open-drain output structure. •I/O direction register allows this pin to be individually programmed as either input or output. 	
P41/INT1, P42/INT2		<ul style="list-style-type: none"> •7-bit I/O port. •CMOS compatible input level. 	<ul style="list-style-type: none"> •INTi interrupt input pins
P43/φ/TOUT		<ul style="list-style-type: none"> •CMOS 3-state output structure. •I/O direction register allows each pin to be individually programmed as either input or output. 	<ul style="list-style-type: none"> •System clock φ output pin •Timer 2 output pin
P44/RxD, P45/TxD, P46/SCLK1, P47/SRDY1		<ul style="list-style-type: none"> •Pull-up control is enabled. 	<ul style="list-style-type: none"> •Serial I/O1 I/O pins
P50/PWM0, P51/PWM1	I/O port P5	<ul style="list-style-type: none"> •8-bit I/O port. •CMOS compatible input level. 	<ul style="list-style-type: none"> •PWM output pins
P52/RTP0, P53/RTP1		<ul style="list-style-type: none"> •CMOS 3-state output structure. 	<ul style="list-style-type: none"> •Real time port output pins
P54/CNTR0, P55/CNTR1		<ul style="list-style-type: none"> •I/O direction register allows each pin to be individually programmed as either input or output. 	<ul style="list-style-type: none"> •Timer X, Y I/O pins
P56/DA1		<ul style="list-style-type: none"> •Pull-up control is enabled. 	<ul style="list-style-type: none"> •D/A converter output pin
P57/ADT/DA2			<ul style="list-style-type: none"> •D/A converter output pin •A/D external trigger input pin
P60/SIN2/AN0, P61/SOUT2/AN1, P62/SCLK21/AN2, P63/SCLK22/AN3	I/O port P6	<ul style="list-style-type: none"> •8-bit I/O port. •CMOS compatible input level. •CMOS 3-state output structure. •I/O direction register allows each pin to be individually programmed as either input or output. 	<ul style="list-style-type: none"> •A/D converter input pins •Serial I/O2 I/O pins
P64/AN4– P67/AN7		<ul style="list-style-type: none"> •Pull-up control is enabled. 	<ul style="list-style-type: none"> •A/D converter input pins
P70/INT0	Input port P7	<ul style="list-style-type: none"> •1-bit input port. 	<ul style="list-style-type: none"> •INT0 interrupt input pin
P71–P77	I/O port P7	<ul style="list-style-type: none"> •7-bit I/O port. •CMOS compatible input level. •N-channel open-drain output structure. •I/O direction register allows each pin to be individually programmed as either input or output. 	
XCOUT	Sub-clock output	<ul style="list-style-type: none"> •Sub-clock generating circuit I/O pins. 	
XCIN	Sub-clock input	(Connect a oscillator. External clock cannot be used.)	

PART NUMBERING

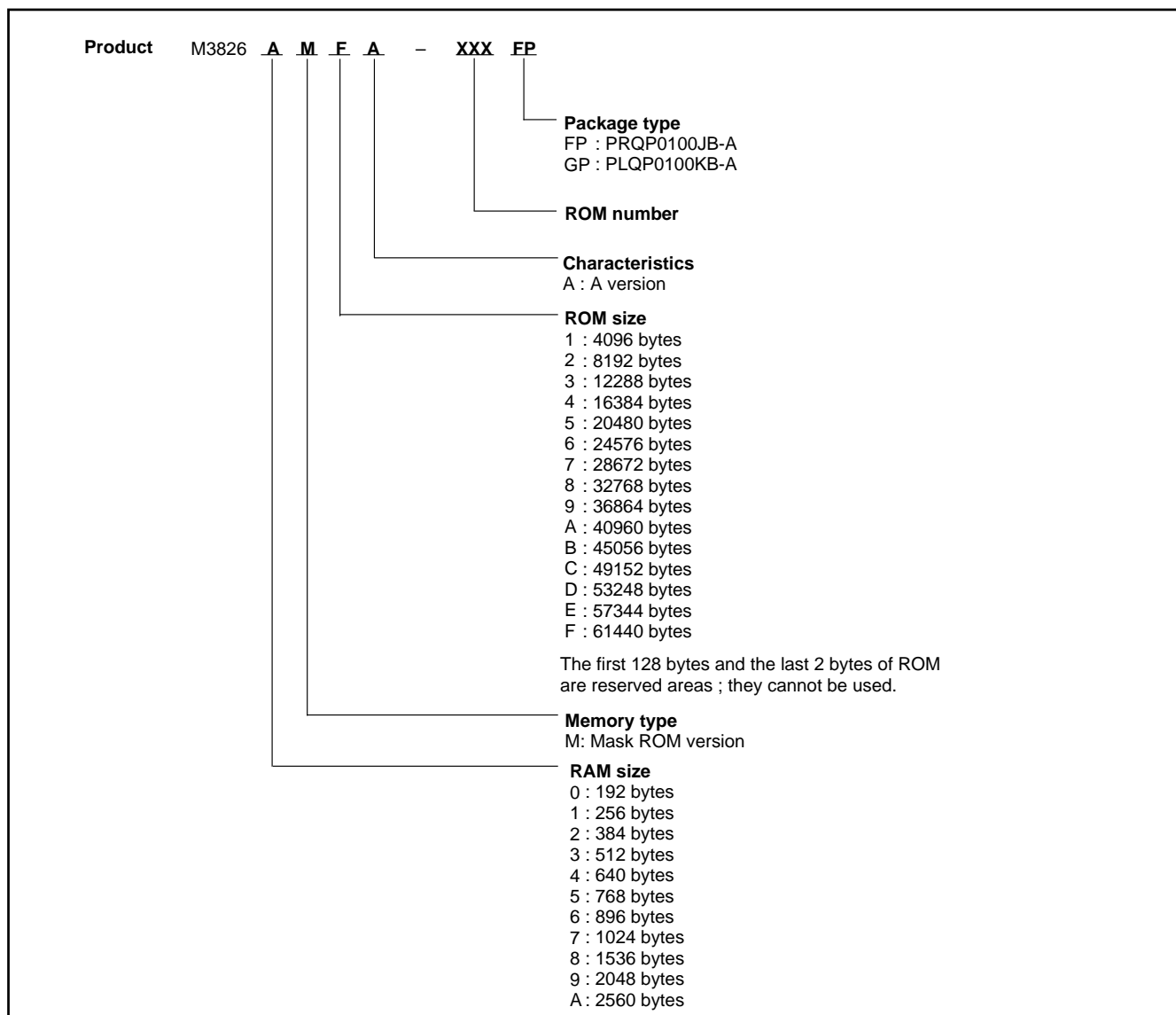


Fig. 4 Part numbering

GROUP EXPANSION

Renesas expands the 3826 group (A version) as follows.

Memory Type

Support for mask ROM version.

Memory Size

ROM size 48 K to 60 K bytes

RAM size 1536 to 2560 bytes

Packages

PLQP0100KB-A 0.5 mm-pitch plastic molded QFP

PRQP0100JB-A 0.65 mm-pitch plastic molded QFP

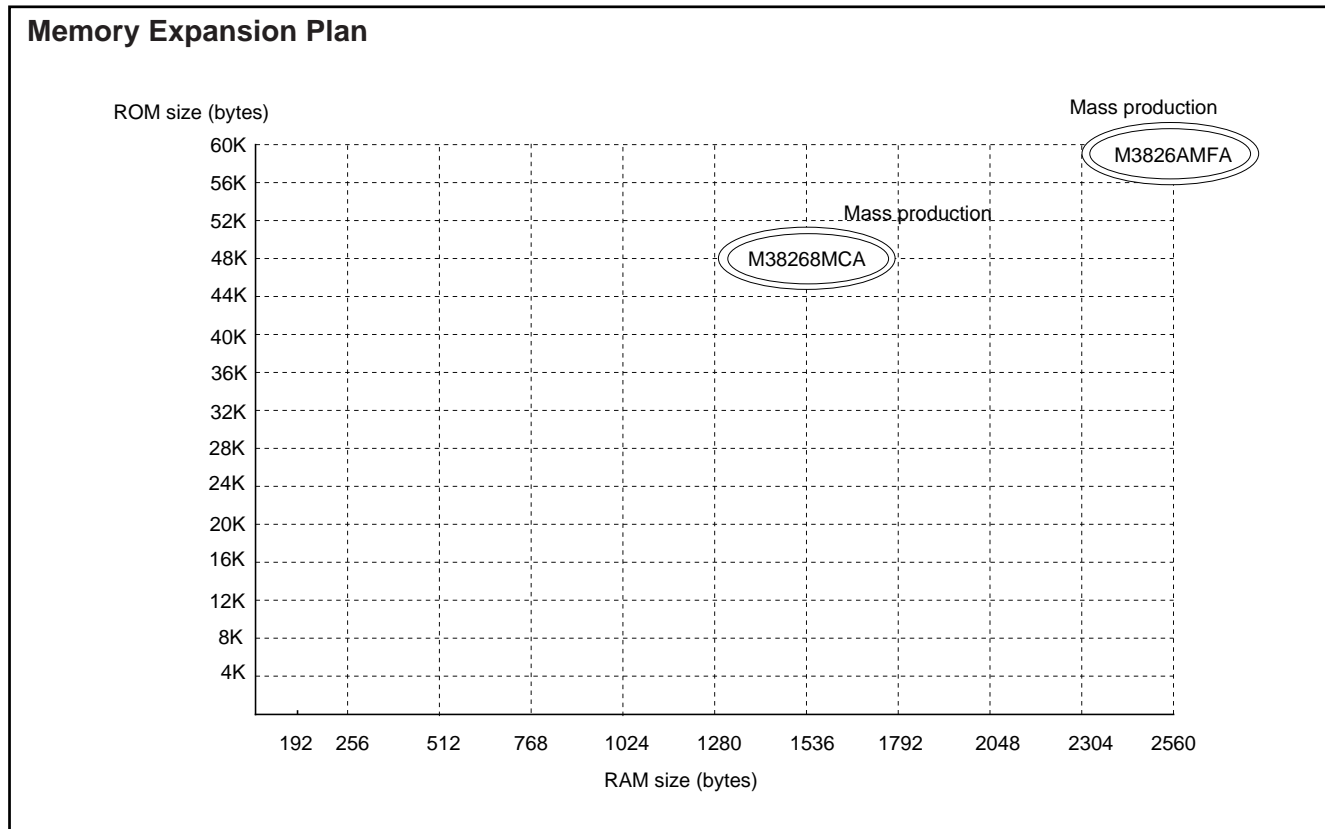


Fig. 5 Memory expansion plan

Currently planning products are listed below.

Table 3 Support products

As of Apr. 2006

Part number	ROM size (bytes) ROM size for User in ()	RAM size (bytes)	Package	Remarks
M38268MCA-XXXXFP	49152 (49022)	1536	PRQP0100JB-A	Mask ROM version
M38268MCA-XXXXGP			PLQP0100KB-A	Mask ROM version
M3826AMFA-XXXXFP	61440 (61310)	2560	PRQP0100JB-A	Mask ROM version
M3826AMFA-XXXXGP			PLQP0100KB-A	Mask ROM version

**FUNCTIONAL DESCRIPTION
CENTRAL PROCESSING UNIT (CPU)**

The 3826 group uses the standard 740 family instruction set. Refer to the table of 740 family addressing modes and machine instructions or the 740 Family Software Manual for details on the instruction set.

Machine-resident 740 family instructions are as follows:

The FST and SLW instruction cannot be used.

The STP, WIT, MUL, and DIV instruction can be used.

The central processing unit (CPU) has six registers. Figure 6 shows the 740 Family CPU register structure.

[Accumulator (A)]

The accumulator is an 8-bit register. Data operations such as arithmetic data transfer, etc., are executed mainly through the accumulator.

[Index Register X (X)]

The index register X is an 8-bit register. In the index addressing modes, the value of the OPERAND is added to the contents of register X and specifies the real address.

[Index Register Y (Y)]

The index register Y is an 8-bit register. In partial instruction, the value of the OPERAND is added to the contents of register Y and specifies the real address.

[Stack Pointer (S)]

The stack pointer is an 8-bit register used during subroutine calls and interrupts. This register indicates start address of stored area (stack) for storing registers during subroutine calls and interrupts. The low-order 8 bits of the stack address are determined by the contents of the stack pointer. The high-order 8 bits of the stack address are determined by the stack page selection bit. If the stack page selection bit is "0", the high-order 8 bits becomes "0016". If the stack page selection bit is "1", the high-order 8 bits becomes "0116".

Figure 9 shows the operations of pushing register contents onto the stack and popping them from the stack. Table 6 shows the push and pop instructions of accumulator or processor status register.

Store registers other than those described in Figure 9 with program when the user needs them during interrupts or subroutine calls.

[Program Counter (PC)]

The program counter is a 16-bit counter consisting of two 8-bit registers PCH and PCL. It is used to indicate the address of the next instruction to be executed.

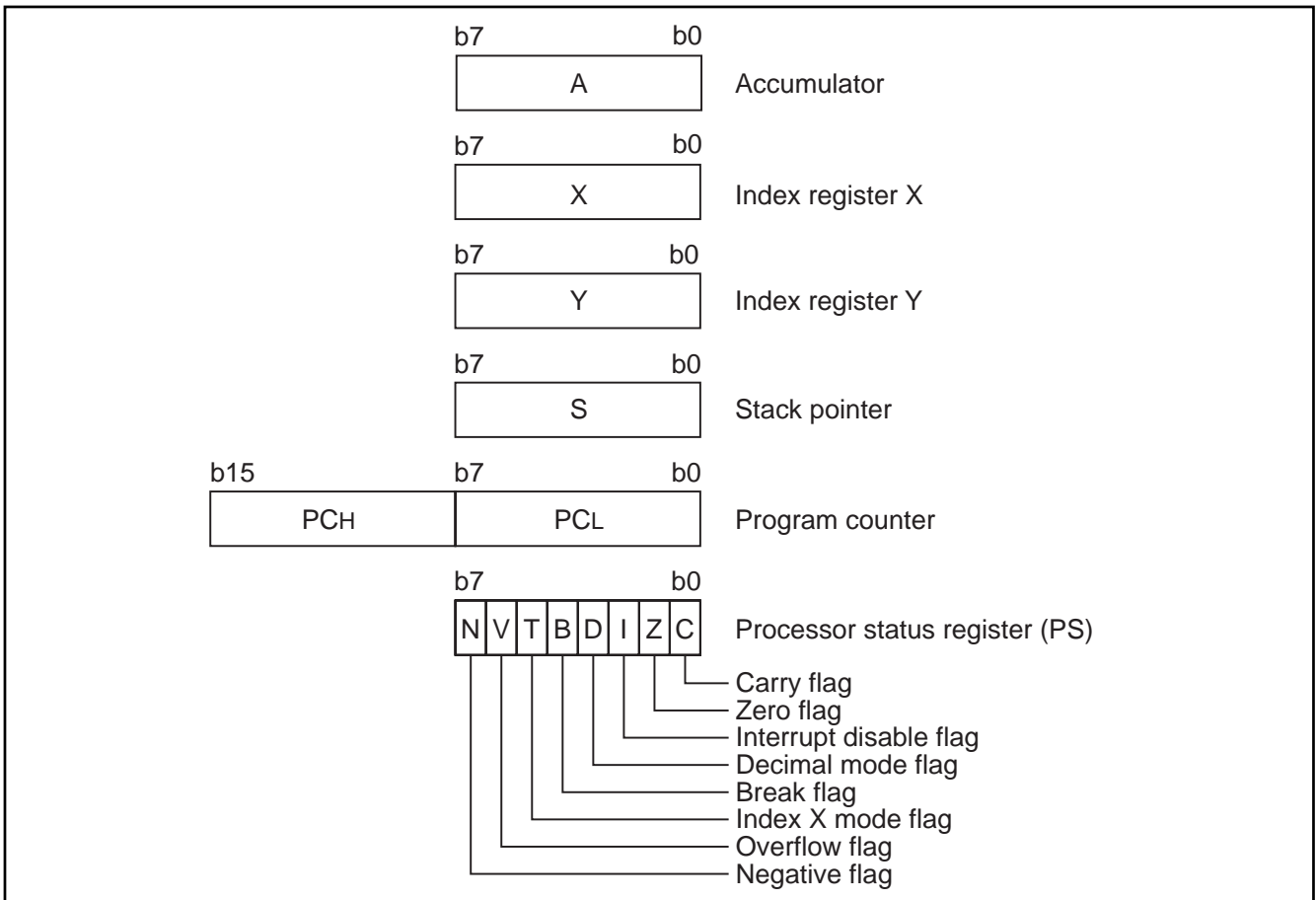


Fig. 6 740 Family CPU register structure

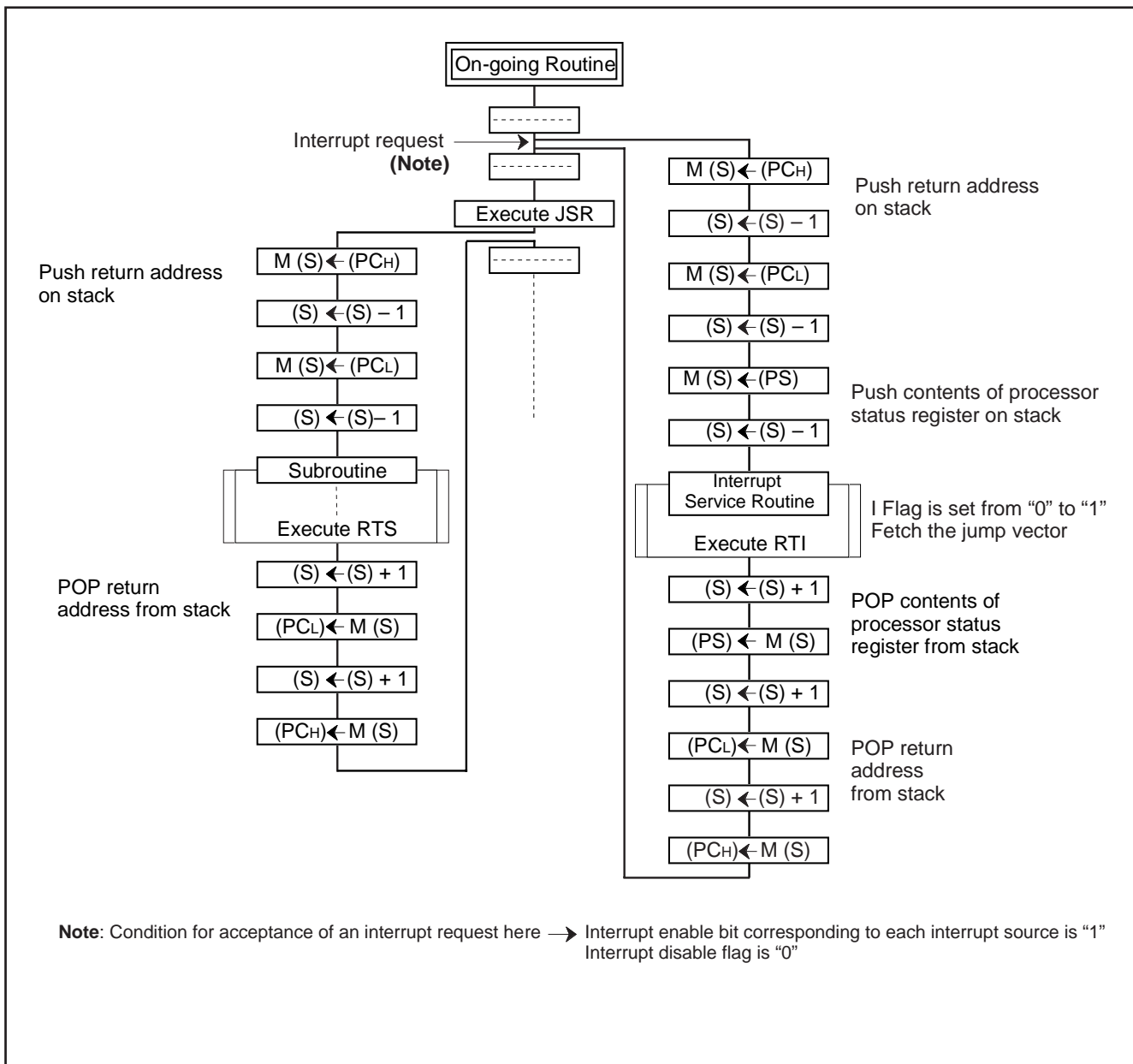


Fig. 7 Register push and pop at interrupt generation and subroutine call

Table 4 Push and pop instructions of accumulator or processor status register

	Push instruction to stack	Pop instruction from stack
Accumulator	PHA	PLA
Processor status register	PHP	PLP

[Processor status register (PS)]

The processor status register is an 8-bit register consisting of 5 flags which indicate the status of the processor after an arithmetic operation and 3 flags which decide MCU operation. Branch operations can be performed by testing the Carry (C) flag, Zero (Z) flag, Overflow (V) flag, or the Negative (N) flag. In decimal mode, the Z, V, N flags are not valid.

- Bit 0: Carry flag (C)

The C flag contains a carry or borrow generated by the arithmetic logic unit (ALU) immediately after an arithmetic operation. It can also be changed by a shift or rotate instruction.

- Bit 1: Zero flag (Z)

The Z flag is set to "1" if the result of an immediate arithmetic operation or a data transfer is "0", and set to "0" if the result is anything other than "0".

- Bit 2: Interrupt disable flag (I)

The I flag disables all interrupts except for the interrupt generated by the BRK instruction.

Interrupts are disabled when the I flag is "1".

- Bit 3: Decimal mode flag (D)

The D flag determines whether additions and subtractions are executed in binary or decimal. Binary arithmetic is executed when this flag is "0"; decimal arithmetic is executed when it is "1".

Decimal correction is automatic in decimal mode. Only the ADC and SBC instructions can be used for decimal arithmetic.

- Bit 4: Break flag (B)

The B flag is used to indicate that the current interrupt was generated by the BRK instruction. When the BRK instruction is generated, the B flag is set to "1" automatically. When the other interrupts are generated, the B flag is set to "0", and the processor status register is pushed onto the stack.

- Bit 5: Index X mode flag (T)

When the T flag is "0", arithmetic operations are performed between accumulator and memory. When the T flag is "1", direct arithmetic operations and direct data transfers are enabled between memory locations.

- Bit 6: Overflow flag (V)

The V flag is used during the addition or subtraction of one byte of signed data. It is set to "1" if the result exceeds +127 to -128. When the BIT instruction is executed, bit 6 of the memory location operated on by the BIT instruction is stored in the V flag.

- Bit 7: Negative flag (N)

The N flag is set to "1" if the result of an arithmetic operation or data transfer is negative. When the BIT instruction is executed, bit 7 of the memory location operated on by the BIT instruction is stored in the negative flag.

Table 5 Instructions to set each bit of processor status register to "0" or "1"

	C flag	Z flag	I flag	D flag	B flag	T flag	V flag	N flag
Instruction setting to "1"	SEC	–	SEI	SED	–	SET	–	–
Instruction setting to "0"	CLC	–	CLI	CLD	–	CLT	CLV	–

[CPU Mode Register (CPUM)] 003B16

The CPU mode register contains the stack page selection bit and the system clock control bits, etc.

The CPU mode register is allocated at address 003B16.

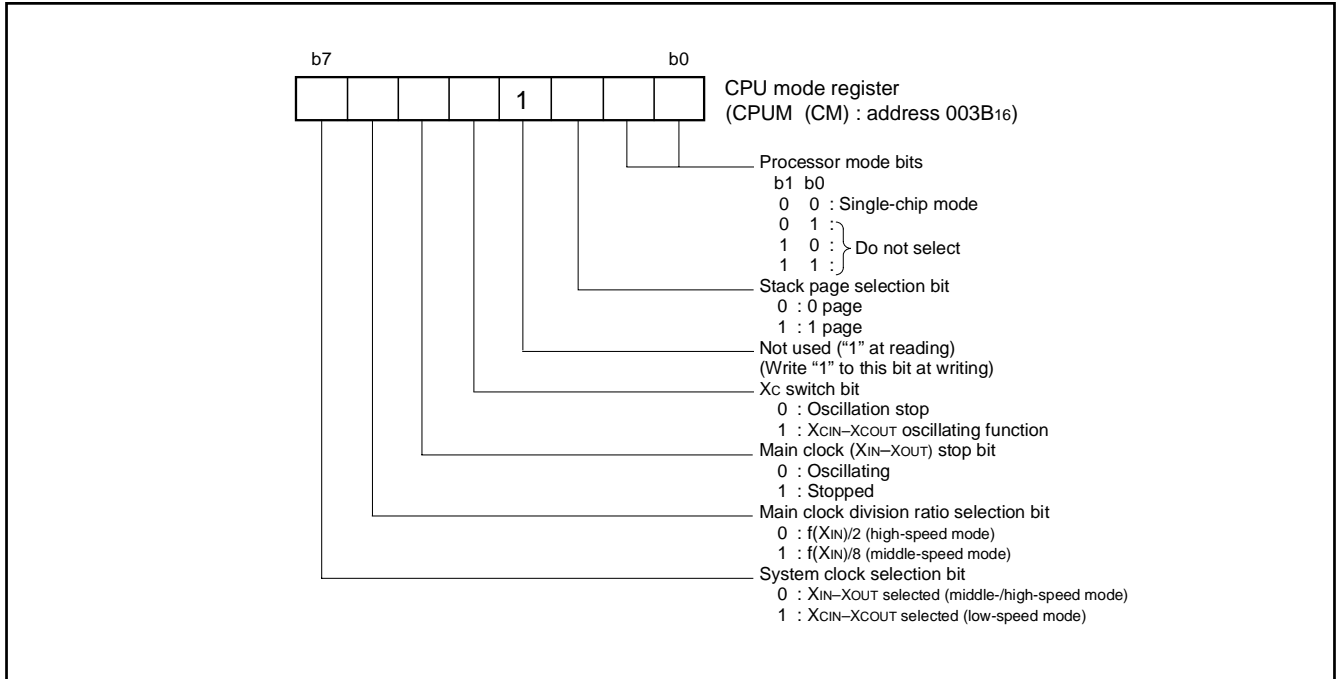


Fig. 8 Structure of CPU mode register

MEMORY

Special Function Register (SFR) Area

The Special Function Register area in the zero page contains control registers such as I/O ports and timers.

RAM

RAM is used for data storage and for stack area of subroutine calls and interrupts.

ROM

The first 128 bytes and the last 2 bytes of ROM are reserved for device testing and the rest is user area for storing programs.

Interrupt Vector Area

The interrupt vector area contains reset and interrupt vectors.

Zero Page

The 256 bytes from addresses 0000₁₆ to 00FF₁₆ are called the zero page area. The internal RAM and the special function registers (SFR) are allocated to this area.

The zero page addressing mode can be used to specify memory and register addresses in the zero page area. Access to this area with only 2 bytes is possible in the zero page addressing mode.

Special Page

The 256 bytes from addresses FF00₁₆ to FFFF₁₆ are called the special page area. The special page addressing mode can be used to specify memory addresses in the special page area. Access to this area with only 2 bytes is possible in the special page addressing mode.

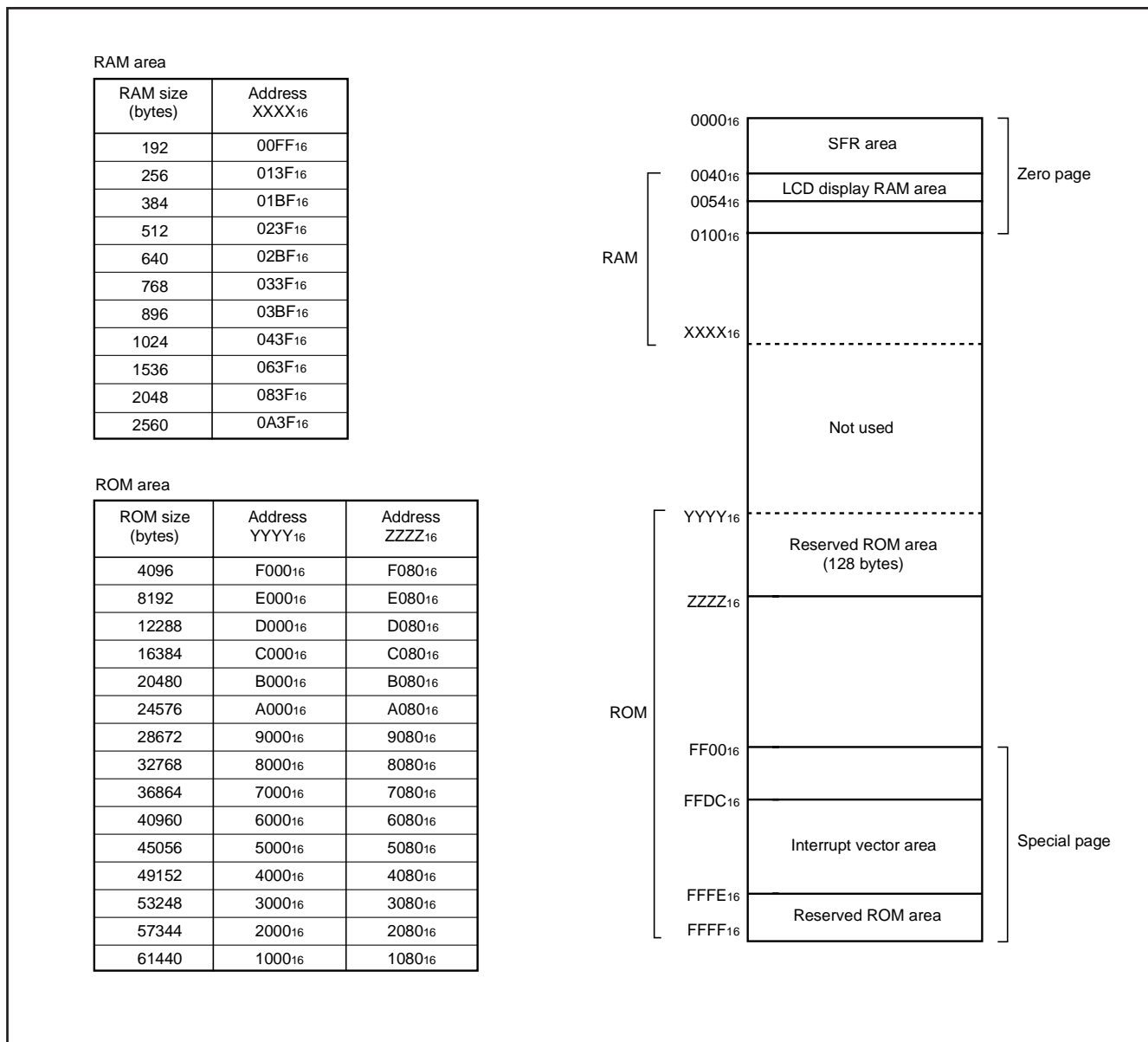


Fig. 9 Memory map diagram

0000 ¹⁶	Port P0 register (P0)	0020 ¹⁶	Timer X low-order register (TXL)
0001 ¹⁶	Port P0 direction register (P0D)	0021 ¹⁶	Timer X high-order register (TXH)
0002 ¹⁶	Port P1 register (P1)	0022 ¹⁶	Timer Y low-order register (TYL)
0003 ¹⁶	Port P1 direction register (P1D)	0023 ¹⁶	Timer Y high-order register (TYH)
0004 ¹⁶	Port P2 register (P2)	0024 ¹⁶	Timer 1 register (T1)
0005 ¹⁶	Port P2 direction register (P2D)	0025 ¹⁶	Timer 2 register (T2)
0006 ¹⁶	Port P3 register (P3)	0026 ¹⁶	Timer 3 register (T3)
0007 ¹⁶	Port P3 output control register (P3C)	0027 ¹⁶	Timer X mode register (TXM)
0008 ¹⁶	Port P4 register (P4)	0028 ¹⁶	Timer Y mode register (TYM)
0009 ¹⁶	Port P4 direction register (P4D)	0029 ¹⁶	Timer 123 mode register (T123M)
000A ¹⁶	Port P5 register (P5)	002A ¹⁶	Tout/φ output control register (CKOUT)
000B ¹⁶	Port P5 direction register (P5D)	002B ¹⁶	PWM control register (PWMCN)
000C ¹⁶	Port P6 register (P6)	002C ¹⁶	PWM prescaler (PREPWM)
000D ¹⁶	Port P6 direction register (P6D)	002D ¹⁶	PWM register (PWM)
000E ¹⁶	Port P7 register (P7)	002E ¹⁶	CTSCSS timer (low) (CTCSSL)
000F ¹⁶	Port P7 direction register (P7D)	002F ¹⁶	CTSCSS timer (high) (CTCSSH)
0010 ¹⁶		0030 ¹⁶	DTMF high group timer (DTMFH)
0011 ¹⁶		0031 ¹⁶	DTMF low group timer (DTMFL)
0012 ¹⁶		0032 ¹⁶	DA1 conversion register (DA1)
0013 ¹⁶		0033 ¹⁶	DA2 conversion register (DA2)
0014 ¹⁶	AD conversion low-order register (ADL)	0034 ¹⁶	AD control register (ADCON)
0015 ¹⁶	Key input control register (KIC)	0035 ¹⁶	AD conversion high-order register (ADH)
0016 ¹⁶	PULL register A (PULLA)	0036 ¹⁶	DA control register (DACON)
0017 ¹⁶	PULL register B (PULLB)	0037 ¹⁶	Watchdog timer control register (WDTCON)
0018 ¹⁶	Transmit/Receive buffer register (TB/RB)	0038 ¹⁶	Segment output enable register (SEG)
0019 ¹⁶	Serial I/O1 status register (SIO1STS)	0039 ¹⁶	LCD mode register (LM)
001A ¹⁶	Serial I/O1 control register (SIO1CON)	003A ¹⁶	Interrupt edge selection register (INTEDGE)
001B ¹⁶	UART control register (UARTCON)	003B ¹⁶	CPU mode register (CPUM)
001C ¹⁶	Baud rate generator (BRG)	003C ¹⁶	Interrupt request register 1(IREQ1)
001D ¹⁶	Serial I/O2 control register (SIO2CON)	003D ¹⁶	Interrupt request register 2(IREQ2)
001E ¹⁶	Reserved area (Note)	003E ¹⁶	Interrupt control register 1(ICON1)
001F ¹⁶	Serial I/O2 register (SIO2)	003F ¹⁶	Interrupt control register 2(ICON2)

Note: Do not write to the addresses of reserved area.

Fig. 10 Memory map of special function register (SFR)

I/O PORTS

Direction Registers

The I/O ports (ports P0, P1, P2, P4, P5, P6, P71–P77) have direction registers. Ports P16, P17, P4, P5, P6, and P71–P77 can be set to input mode or output mode by each pin individually. P00–P07 and P10–P15 are respectively set to input mode or output mode in a lump by bit 0 of the direction registers of ports P0 and P1 (see Figure 11).

When “0” is set to the bit corresponding to a pin, that pin becomes an input mode. When “1” is set to that bit, that pin becomes an output mode.

If data is read from a port set to output mode, the value of the port latch is read, not the value of the pin itself. A port set to input mode is floating. If data is read from a port set to input mode, the value of the pin itself is read. If a pin set to input mode is written to, only the port latch is written to and the pin remains floating.

Port P3 Output Control Register

Bit 0 of the port P3 output control register (address 0007₁₆) enables control of the output of ports P30–P37.

When the bit is set to “1”, the port output function is valid.

When resetting, bit 0 of the port P3 output control register is set to “0” (the port output function is invalid) and pulled up.

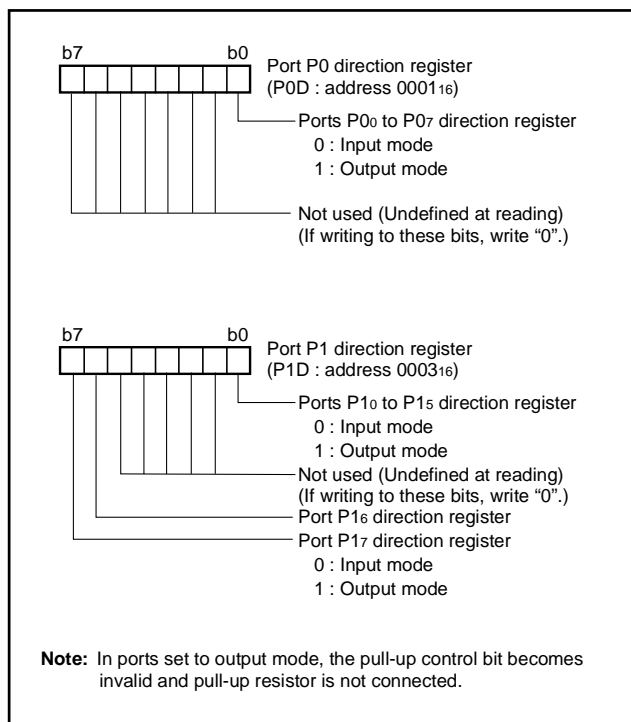


Fig. 11 Structure of port P0 direction register, port P1 direction register

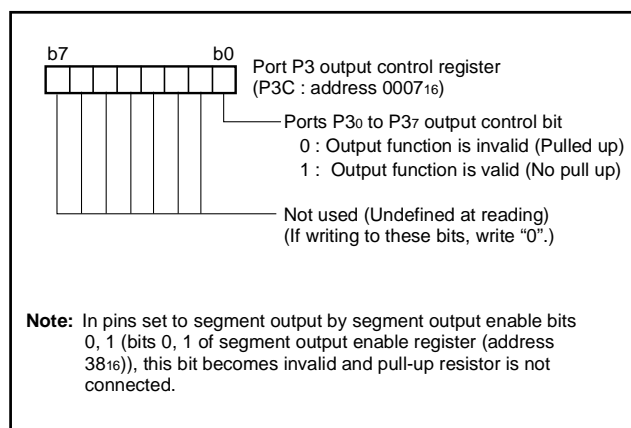


Fig. 12 Structure of port P3 output control register

Pull-up Control

By setting the PULL register A (address 0016₁₆) or the PULL register B (address 0017₁₆), ports P0 to P2, P4 to P6 can control pull-up with a program.

However, the contents of PULL register A and PULL register B do not affect ports set to output mode and the ports are not pulled up. The PULL register A setting is invalid for pins selecting segment output with the segment output enable register and the pins are not pulled up.

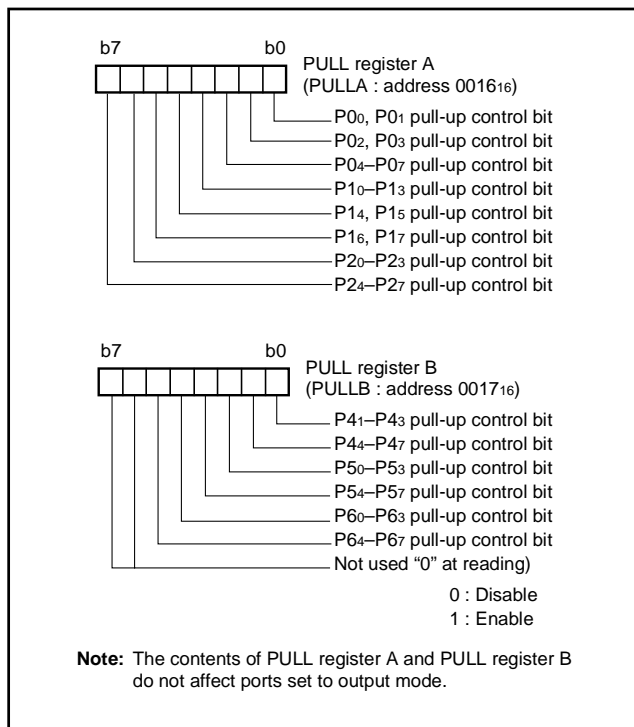


Fig. 13 Structure of PULL register A and PULL register B

Table 6 List of I/O port function (1)

Pin	Name	Input/Output	I/O Format	Non-Port Function	Related SFRs	Diagram No.	
P00/SEG26– P07/SEG33	Port P0	Input/output, byte unit	CMOS compatible input level CMOS 3-state output	LCD segment output	PULL register A	(1)	
					Segment output enable register	(2)	
P10/SEG34– P15/SEG39	Port P1	Input/output, 6-bit unit	CMOS compatible input level CMOS 3-state output	LCD segment output	PULL register A	(1)	
					Segment output enable register	(2)	
P16 , P17		Input/output, individual bits	CMOS compatible input level CMOS 3-state output		PULL register A	(4)	
P20–P27	Port P2	Input/output, individual bits	CMOS compatible input level CMOS 3-state output	Key input (key-on wake-up) interrupt input	PULL register A Interrupt control register 2 Key input control register		
P30/SEG18– P37/SEG25	Port P3	Output	CMOS 3-state output	LCD segment output	Segment output enable register Port P3 output control register	(3)	
P40	Port P4	Input/output, individual bits	CMOS compatible input level N-channel open-drain output			(13)	
P41/INT1, P42/INT2				CMOS compatible input level	INTi interrupt input	Interrupt edge selection register	(4)
P43/φ/TOUT				CMOS 3-state output	Timer 2 output	PULL register B	(12)
					System clock φ output	Timer 123 mode register TOUT/φ output control register	
P44/RxD, P45/TxD, P46/SCLK1, P47/ΣRDY1				Serial I/O1 I/O			PULL register B
	Serial I/O1 control register	(6)					
	Serial I/O1 status register	(7)					
				UART control register	(8)		
P50/PWM0, P51/PWM1	Port P5	Input/output, individual bits	CMOS compatible input level CMOS 3-state output	PWM output	PULL register B PWM control register	(10)	
P52/RTP0, P53/RTP1				Real time port output	PULL register B Timer X mode register	(9)	
P54/CNTR0				Timer X I/O	PULL register B Timer X mode register	(11)	
P55/CNTR1				Timer Y input	PULL register B Timer Y mode register	(14)	
P56/DA1				DA1 output	PULL register B	(15)	
				DTMF input	DA control register		
P57/ADT/ DA2				DA2 output	PULL register B	(15)	
	CTCSS output A/D external trigger input	DA control register AD control register					

Table 7 List of I/O port function (2)

Pin	Name	Input/Output	I/O Format	Non-Port Function	Related SFRs	Diagram No.
P60/SIN2/AN0	Port P6	Input/ output, individual bits	CMOS compatible input level CMOS 3-state output	A/D converter input Serial I/O2 I/O	PULL register B AD control register Serial I/O2 control register	(17)
P61/SOUT2/ AN1						(18)
P62/SCLK21/ AN2						(19)
P63/SCLK22 / AN3						(20)
P64/AN4– P67/AN7				A/D converter input	AD control register PULL register B	(16)
P70/INT0	Port P7	Input	CMOS compatible input level	INT0 interrupt input	Interrupt edge selection register	(23)
P71–P77		Input/ output, individual bits	CMOS compatible input level N-channel open-drain output			(13)
COM0–COM3	Common	Output	LCD common output		LCD mode register	(21)
SEG0–SEG17	Segment	Output	LCD segment output			(22)

Notes 1: How to use double-function ports as function I/O pins, refer to the applicable sections.

2: Make sure that the input level at each pin is either 0 V or VCC before execution of the STP instruction. When an electric potential is at an intermediate potential, a current will flow from VCC to VSS through the input-stage gate and power source current may increase.

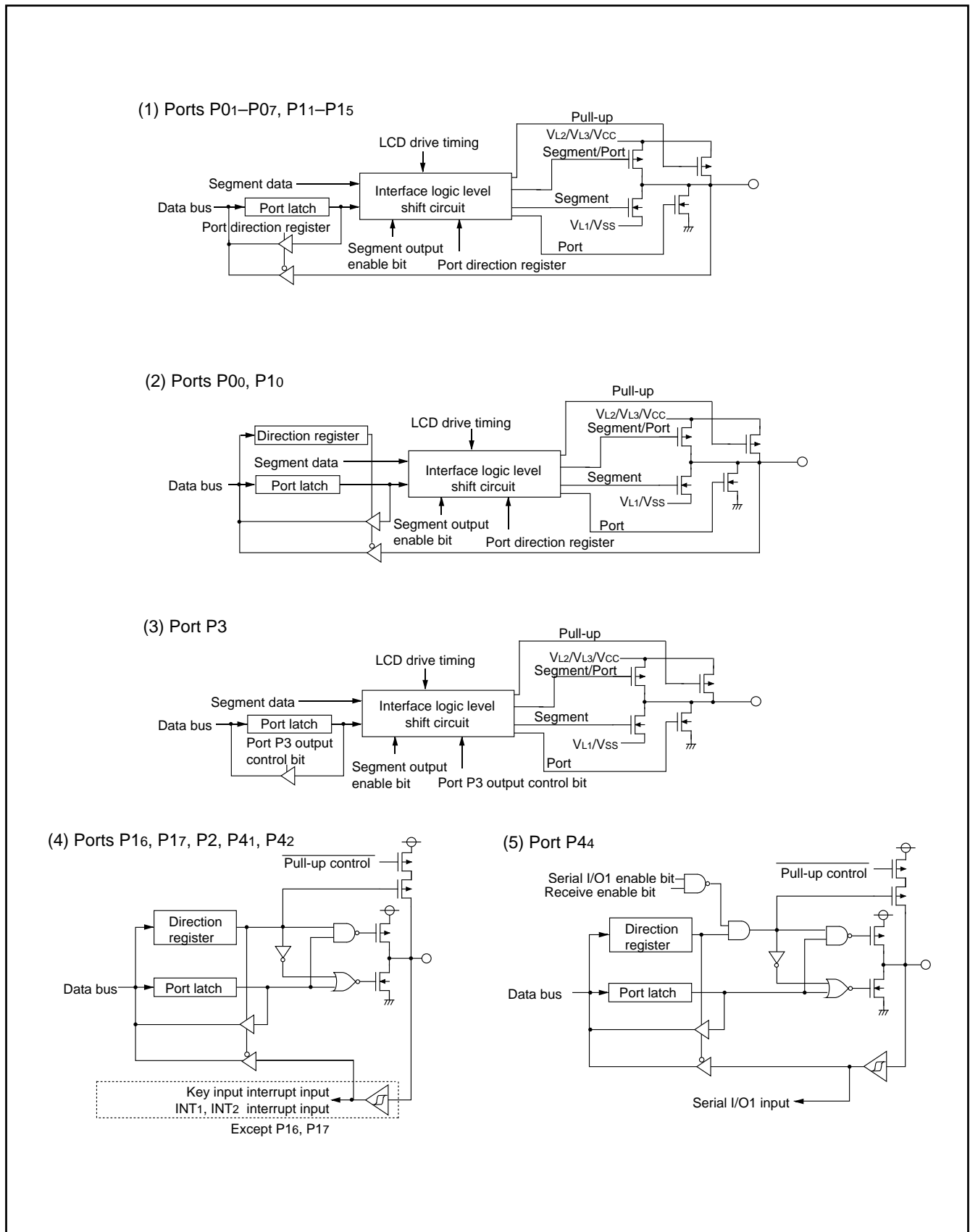


Fig. 14 Port block diagram (1)

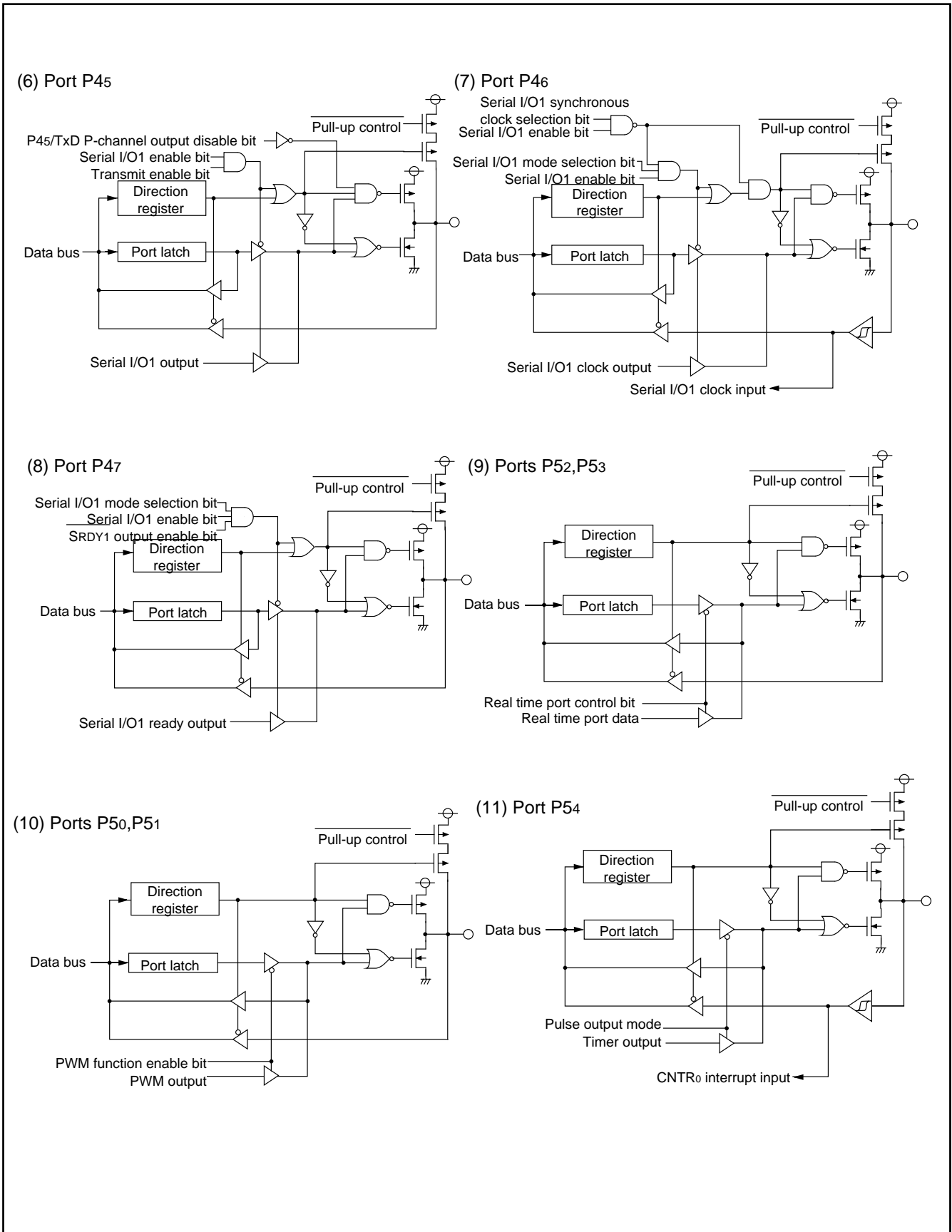


Fig. 15 Port block diagram (2)

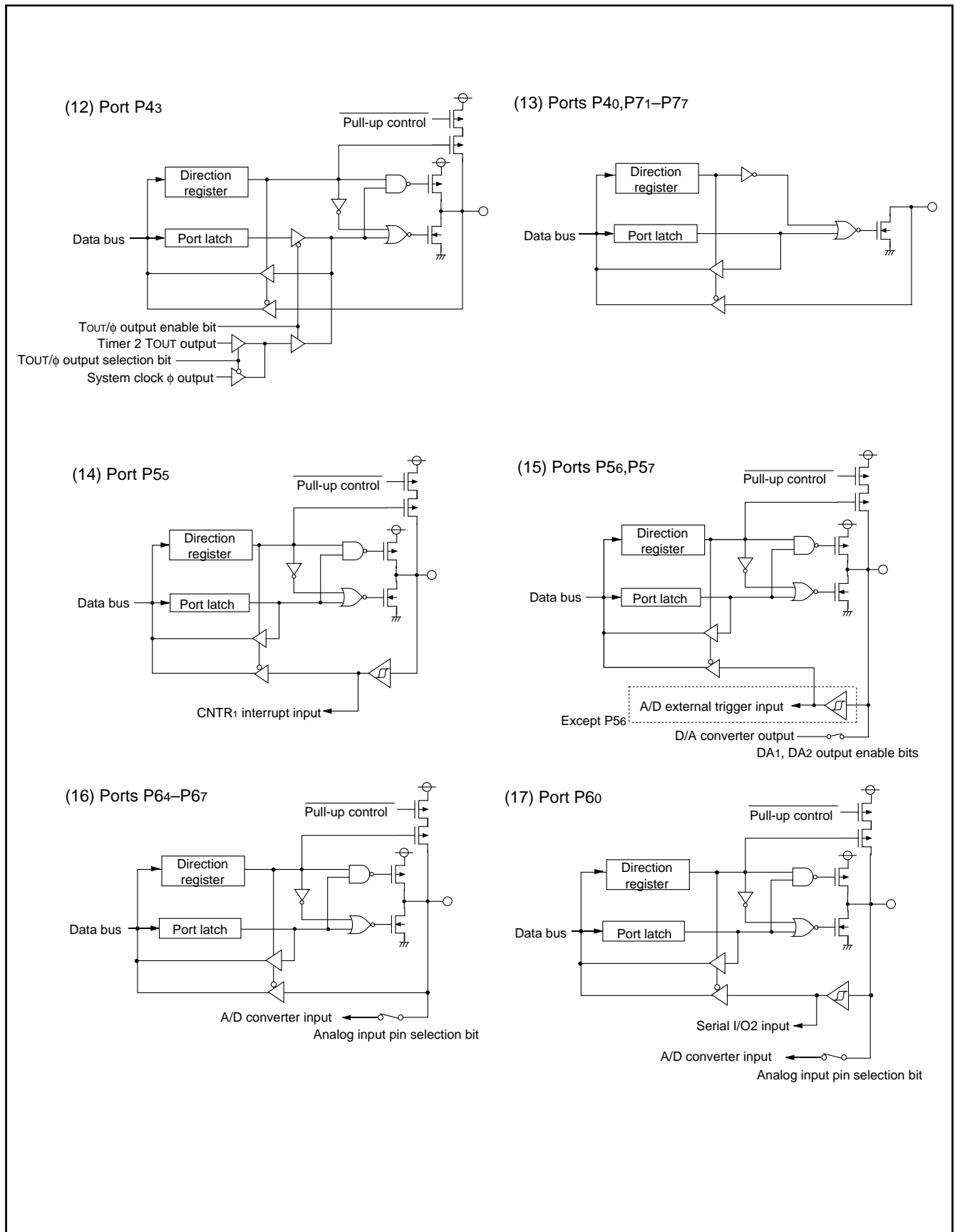


Fig. 16 Port block diagram (3)

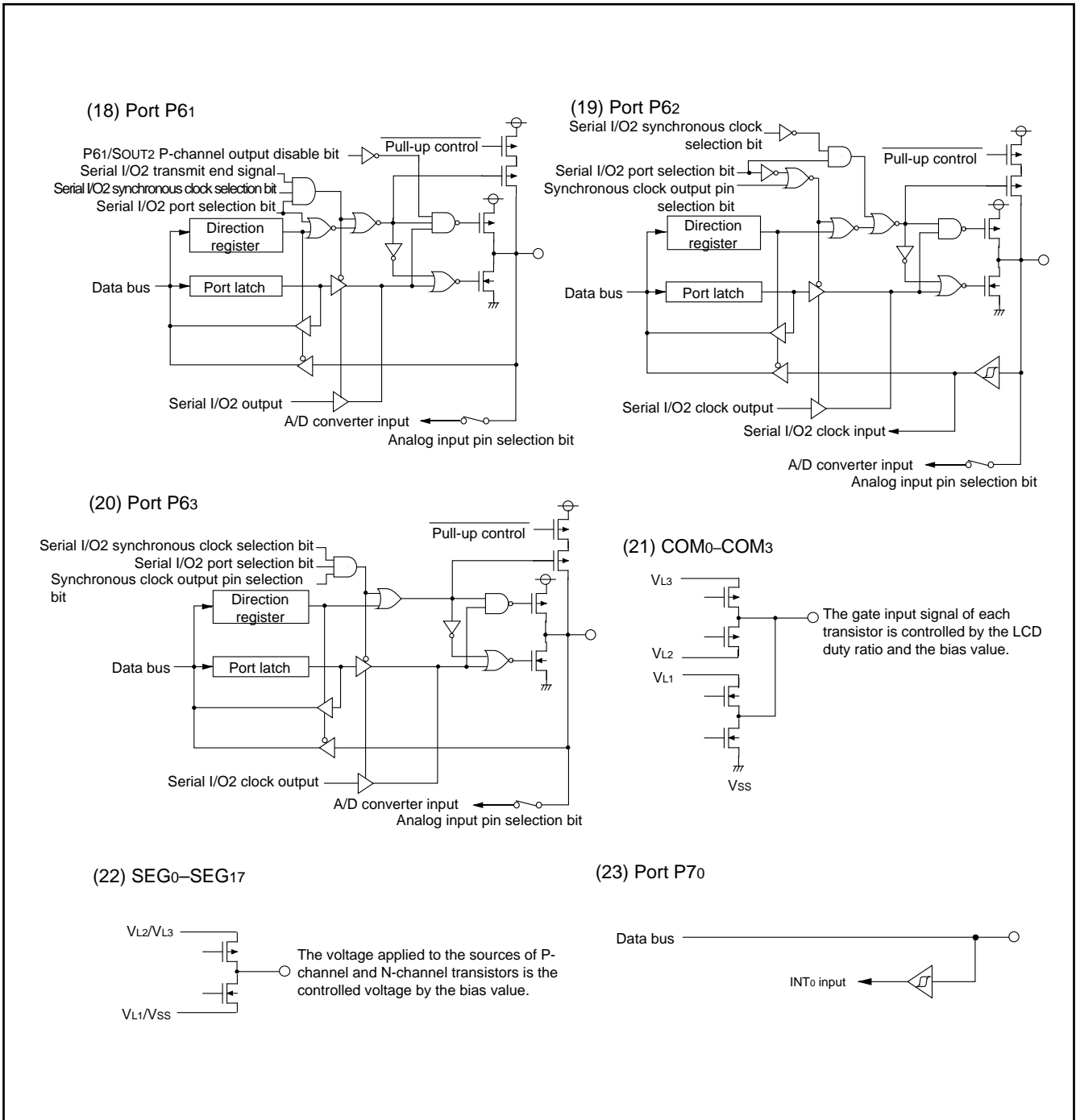


Fig. 17 Port block diagram (4)

INTERRUPTS

Interrupts occur by seventeen sources: seven external, nine internal, and one software. When an interrupt request is accepted, the program branches to the interrupt jump destination address set in the vector address (see Table 8).

Interrupt Control

Each interrupt is controlled by an interrupt request bit, an interrupt enable bit, and the interrupt disable flag except for the software interrupt set by the BRK instruction. An interrupt is accepted if the corresponding interrupt request and enable bits are "1" and the interrupt disable flag is "0".

Interrupt enable bits can be set to "0" or "1" by program.

Interrupt request bits can be set to "0" by program, but cannot be set to "1" by program.

The BRK instruction interrupt and reset cannot be disabled with any flag or bit. When the interrupt disable (I) flag is set to "1", all interrupt requests except the BRK instruction interrupt and reset are not accepted.

When several interrupt requests occur at the same time, the interrupts are received according to priority.

Interrupt Operation

By acceptance of an interrupt, the following operations are automatically performed:

1. The contents of the program counter and the processor status register are automatically pushed onto the stack.
2. The interrupt jump destination address is read from the vector table into the program counter.
3. The interrupt disable flag is set to "1" and the corresponding interrupt request bit is set to "0".

Table 8 Interrupt vector addresses and priority

Interrupt Source	Priority	Vector Addresses (Note 1)		Interrupt Request Generating Conditions	Remarks
		High	Low		
Reset (Note 2)	1	FFFD ₁₆	FFFC ₁₆	At reset	Non-maskable
INT ₀	2	FFFB ₁₆	FFFA ₁₆	At detection of either rising or falling edge of INT ₀ input	External interrupt (active edge selectable)
INT ₁	3	FFF9 ₁₆	FFF8 ₁₆	At detection of either rising or falling edge of INT ₁ input	External interrupt (active edge selectable)
Serial I/O1 reception	4	FFF7 ₁₆	FFF6 ₁₆	At completion of serial I/O1 data reception	Valid when serial I/O1 is selected
Serial I/O1 transmission	5	FFF5 ₁₆	FFF4 ₁₆	At completion of serial I/O1 transmit shift or when transmission buffer is empty	Valid when serial I/O1 is selected
Timer X	6	FFF3 ₁₆	FFF2 ₁₆	At timer X underflow	
Timer Y	7	FFF1 ₁₆	FFF0 ₁₆	At timer Y underflow	
Timer 2	8	FFEF ₁₆	FFEE ₁₆	At timer 2 underflow	
Timer 3	9	FFED ₁₆	FFEC ₁₆	At timer 3 underflow	
CNTR ₀	10	FFEB ₁₆	FFEA ₁₆	At detection of either rising or falling edge of CNTR ₀ input	External interrupt (active edge selectable)
CNTR ₁	11	FFE9 ₁₆	FFE8 ₁₆	At detection of either rising or falling edge of CNTR ₁ input	External interrupt (active edge selectable)
Timer 1	12	FFE7 ₁₆	FFE6 ₁₆	At timer 1 underflow	
INT ₂	13	FFE5 ₁₆	FFE4 ₁₆	At detection of either rising or falling edge of INT ₂ input	External interrupt (active edge selectable)
Serial I/O2	14	FFE3 ₁₆	FFE2 ₁₆	At completion of serial I/O2 data transmission or reception	Valid when serial I/O2 is selected
Key input (Key-on wake-up)	15	FFE1 ₁₆	FFE0 ₁₆	At falling of conjunction of input level for port P2 (at input mode)	External interrupt (valid at falling)
ADT	16	FFDF ₁₆	FFDE ₁₆	At falling edge of ADT input	Valid when ADT interrupt is selected External interrupt (valid at falling)
A/D conversion				At completion of A/D conversion	Valid when A/D interrupt is selected
BRK instruction	17	FFDD ₁₆	FFDC ₁₆	At BRK instruction execution	Non-maskable software interrupt

Notes1: Vector addresses contain interrupt jump destination addresses.

2: Reset is not an interrupt. Reset has the higher priority than all interrupts.

Notes on interrupts

When setting the followings, the interrupt request bit may be set to "1".

- When switching external interrupt active edge
 Related register: Interrupt edge selection register (address 3A16)
 Timer X mode register (address 2716)
 Timer Y mode register (address 2816)
- When switching interrupt sources of an interrupt vector address where two or more interrupt sources are allocated
 Related register: Interrupt source selection bit of AD control register (bit 6 of address 3416)

When not requiring for the interrupt occurrence synchronous with these setting, take the following sequence.

- ①Set the corresponding interrupt enable bit to "0" (disabled).
- ②Set the interrupt edge select bit (polarity switch bit) or the interrupt source selection bit.
- ③Set the corresponding interrupt request bit to "0" after 1 or more instructions have been executed.
- ④Set the corresponding interrupt enable bit to "1" (enabled).

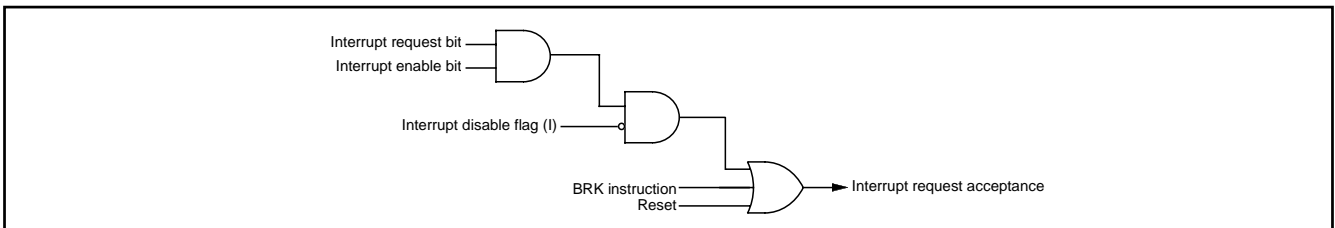


Fig. 18 Interrupt control

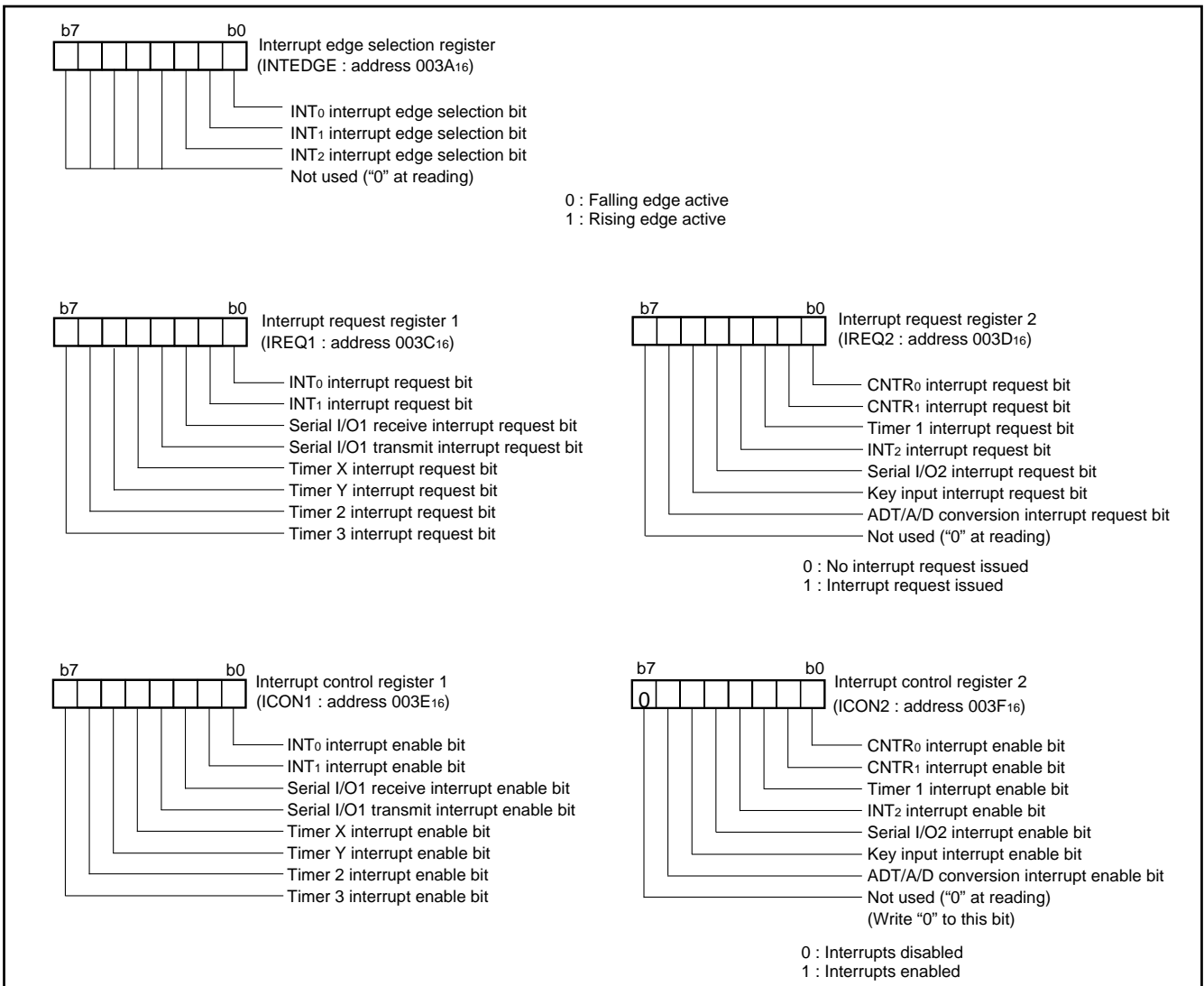


Fig. 19 Structure of interrupt-related registers

Key Input Interrupt (Key-on Wake Up)

The key input interrupt is enabled when any of port P2 is set to input mode and the bit corresponding to key input control register is set to "1".

A Key input interrupt request is generated by applying "L" level voltage to any pin of port P2 of which key input interrupt is en-

abled. In other words, it is generated when AND of input level goes from "1" to "0". A connection example of using a key input interrupt is shown in Figure 22, where an interrupt request is generated by pressing one of the keys consisted as an active-low key matrix which inputs to ports P20–P23.

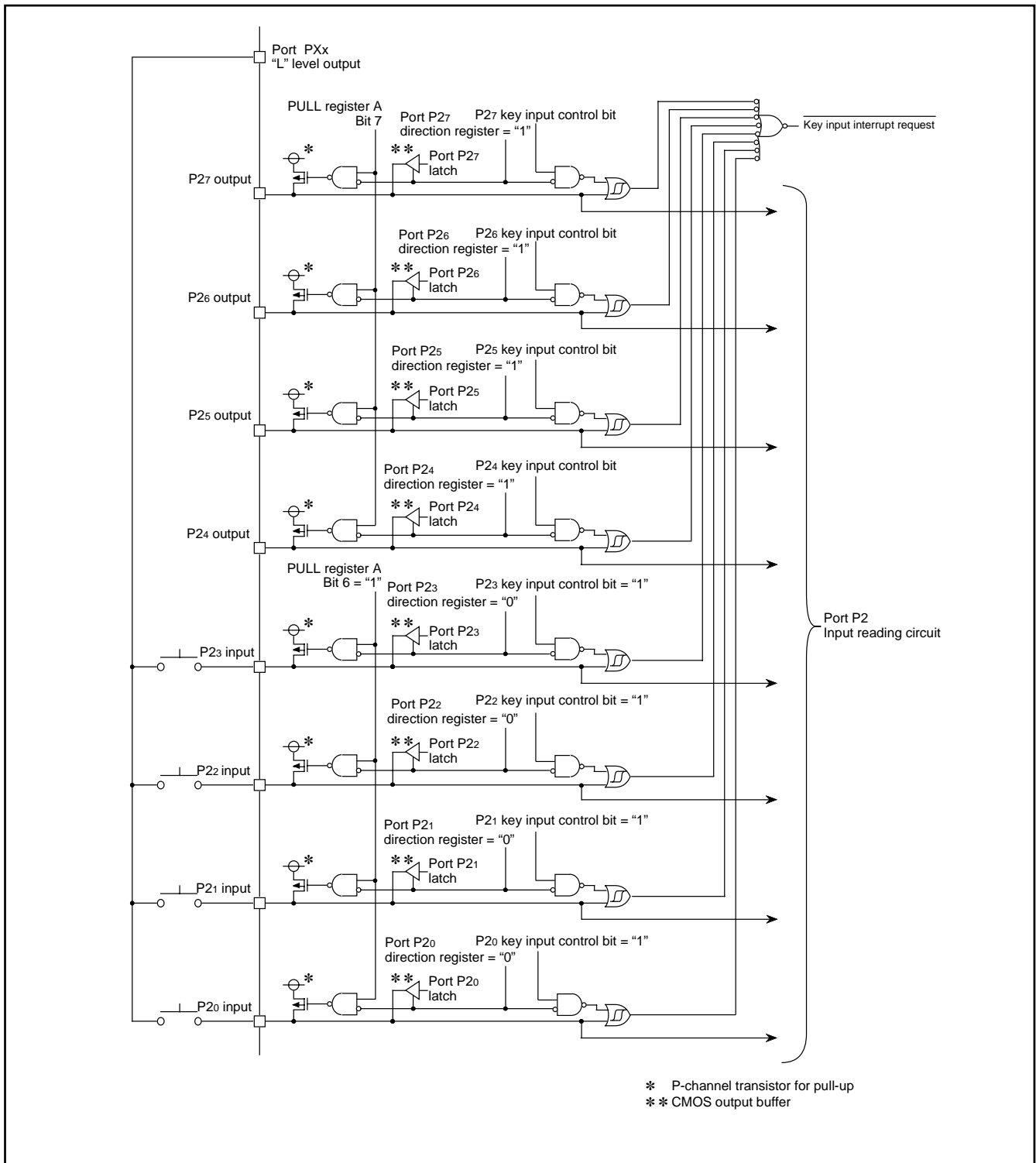


Fig. 20 Connection example when using key input interrupt and port P2 block diagram

The key input interrupt is controlled by the key input control register and the port direction register. When enabling the key input interrupt, set "1" to the key input control bit. A key input can be accepted from pins set as the input mode in ports P20–P27.

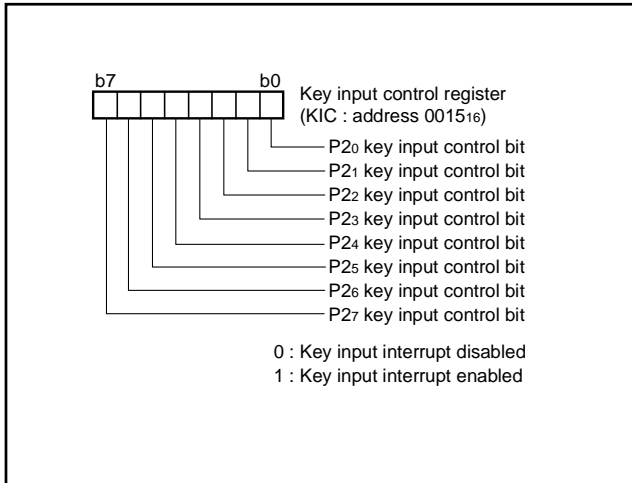


Fig. 21 Structure of key input control register

TIMERS

The 3826 group has five timers: timer X, timer Y, timer 1, timer 2, and timer 3. Timer X and timer Y are 16-bit timers, and timer 1, timer 2, and timer 3 are 8-bit timers.

All timers are down count timers. When the timer reaches "0", an underflow occurs at the next count pulse and the corresponding timer latch is reloaded into the timer and the count is continued. When a timer underflows, the interrupt request bit corresponding to that timer is set to "1".

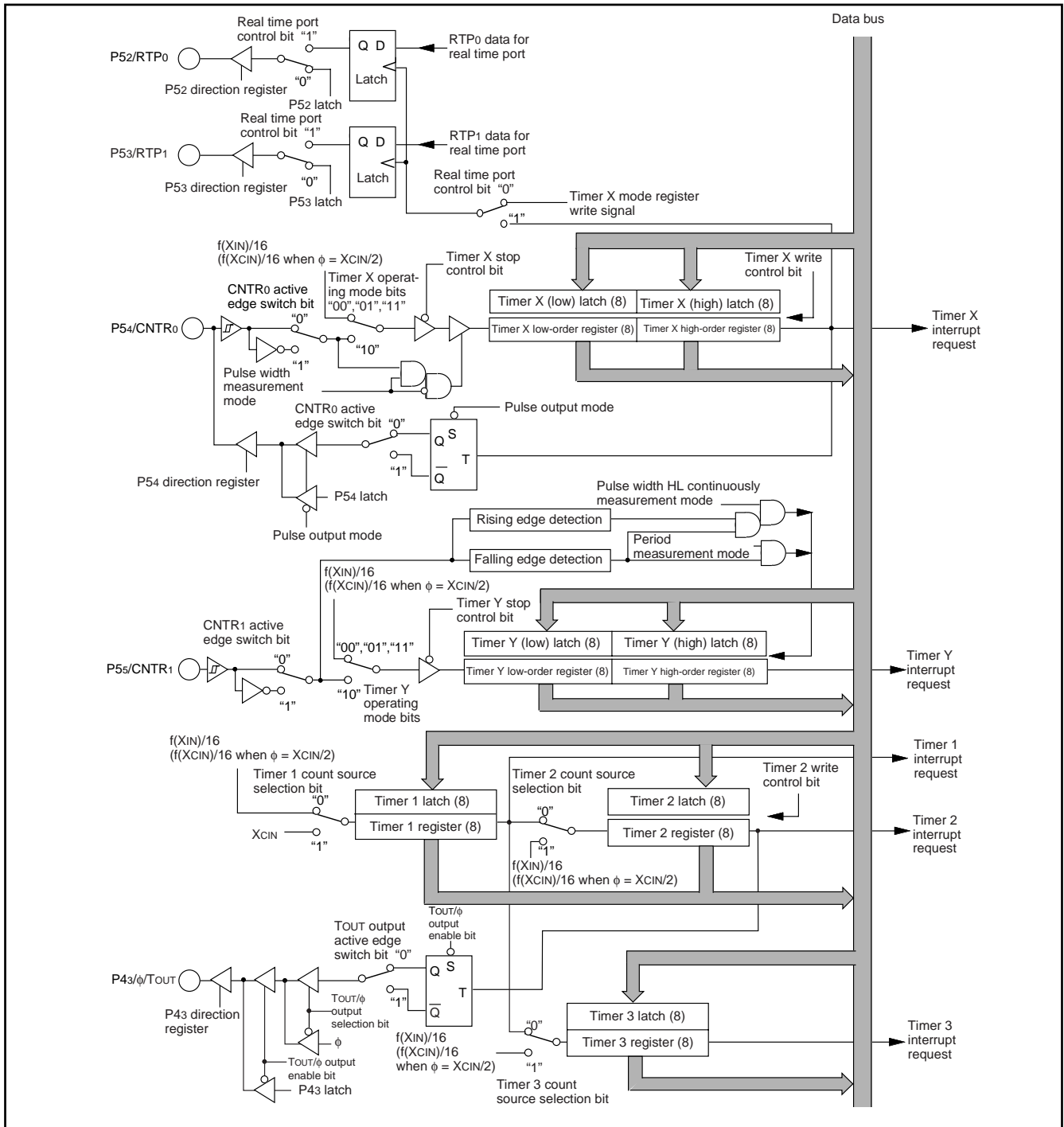


Fig. 22 Timer block diagram

Timer X

Timer X is a 16-bit timer and is equipped with the timer latch. The division ratio of timer X is given by $1/(n+1)$, where n is the value in the timer latch. Timer X is a down-counter. When the contents of timer X reach "0000₁₆", an underflow occurs at the next count pulse and the contents of the timer latch are reloaded into the timer and the count is continued. When the timer underflows, the timer X interrupt request bit is set to "1".

Timer X can be selected in one of four modes by the timer X mode register and can be controlled the timer X write and the real time port.

(1) Timer mode

The timer counts $f(X_{IN})/16$ (or $f(X_{CIN})/16$ in low-speed mode).

(2) Pulse output mode

Each time the timer underflows, a signal output from the CNTR₀ pin is inverted. Except for this, the operation in pulse output mode is the same as in timer mode. When using a timer in this mode, set the P5₄/CNTR₀ pin to output mode (set "1" to bit 4 of port P5 direction register).

(3) Event counter mode

The timer counts signals input through the CNTR₀ pin.

Except for this, the operation in event counter mode is the same as in timer mode. When using a timer in this mode, set the P5₄/CNTR₀ pin to input mode (set "0" to bit 4 of port P5 direction register).

(4) Pulse width measurement mode

The count source is $f(X_{IN})/16$ (or $f(X_{CIN})/16$ in low-speed mode). If CNTR₀ active edge switch bit is "0", the timer counts while the input signal of CNTR₀ pin is at "H". If it is "1", the timer counts while the input signal of CNTR₀ pin is at "L". When using a timer in this mode, set the P5₄/CNTR₀ pin to input mode (set "0" to bit 4 of port P5 direction register).

●Read and write to timer X high-order, low-order registers

When reading and writing to the timer X high-order and low-order registers, be sure to read/write both the timer X high- and low-order registers.

When reading the timer X high-order and low-order registers, read the high-order register first. When writing to the timer X high-order and low-order registers, write the low-order register first. The timer X cannot perform the correct operation if the next operation is performed.

- Write operation to the high- or low-order register before reading the timer X low-order register
- Read operation from the high- or low-order register before writing to the timer X high-order register

●Timer X Write Control

Which write control can be selected by the timer X write control bit (bit 0) of the timer X mode register (address 0027₁₆), writing data to both the latch and the timer at the same time or writing data only to the latch. When the operation "writing data only to the latch" is selected, the value is set to the timer latch by writing data to the timer X register and the timer is updated at next underflow. After reset, the operation "writing data to both the latch and the timer at the same time" is selected, and the value is set to both the latch and the timer at the same time by writing data to the timer X register. The write operation is independent of timer X count operation, operating or stopping.

When the value is written in latch only, a value is simultaneously set to the timer X and the timer X latch if the writing in the high-order register and the underflow of timer X are performed at the same timing. Unexpected value may be set in the high-order timer on this occasion.

●Real Time Port Control

While the real time port function is valid, data for the real time port are output from ports P5₂ and P5₃ each time the timer X underflows. (However, if the real time port control bit is changed from "0" to "1" after set of the real time port data, data are output independent of the timer X operation.) If the data for the real time port is changed while the real time port function is valid, the changed data are output at the next underflow of timer X.

Before using this function, set the P5₂/RTP₀, P5₃/RTP₁ pins to output mode (set "1" to bits 2, 3 of port P5 direction register).

■Note on CNTR₀ interrupt active edge selection

CNTR₀ interrupt active edge depends on the CNTR₀ active edge switch bit.

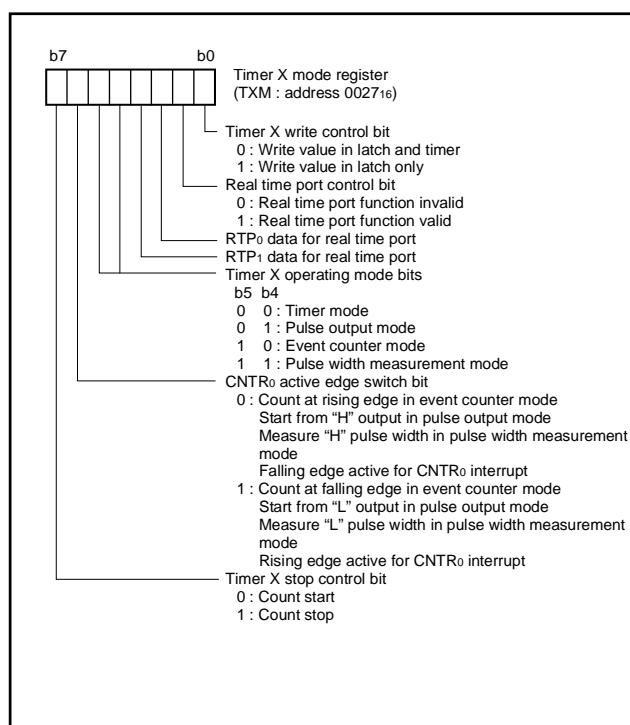


Fig. 23 Structure of timer X mode register

Timer Y

Timer Y is a 16-bit timer and is equipped with the timer latch. The division ratio of timer Y is given by $1/(n+1)$, where n is the value in the timer latch. Timer Y is a down-counter. When the contents of timer Y reach "0000₁₆", an underflow occurs at the next count pulse and the contents of the timer latch are reloaded into the timer and the count is continued. When the timer underflows, the timer Y interrupt request bit is set to "1".

Timer Y can be selected in one of four modes by the timer Y mode register.

(1) Timer mode

The timer counts $f(XIN)/16$ (or $f(XCIN)/16$ in low-speed mode).

(2) Period measurement mode

CNTR₁ interrupt request is generated at rising or falling edge of CNTR₁ pin input signal. Simultaneously, the value in timer Y latch is reloaded in timer Y and timer Y continues counting down. Except for this, the operation in period measurement mode is the same as in timer mode.

The timer value just before the reloading at rising or falling of CNTR₁ pin input signal is retained until the next valid edge is input.

The rising or falling timing of CNTR₁ pin input signal can be discriminated by CNTR₁ interrupt. When using a timer in this mode, set the P5₅/CNTR₁ pin to input mode (set "0" to bit 5 of port P5 direction register).

(3) Event counter mode

The timer counts signals input through the CNTR₁ pin.

Except for this, the operation in event counter mode is the same as in timer mode. When using a timer in this mode, set the P5₅/CNTR₁ pin to input mode (set "0" to bit 5 of port P5 direction register).

(4) Pulse width HL continuously measurement mode

CNTR₁ interrupt request is generated at both rising and falling edges of CNTR₁ pin input signal. Except for this, the operation in pulse width HL continuously measurement mode is the same as in period measurement mode. When using a timer in this mode, set the P5₅/CNTR₁ pin to input mode (set "0" to bit 5 of port P5 direction register).

■Note on CNTR₁ interrupt active edge selection

CNTR₁ interrupt active edge depends on the value of the CNTR₁ active edge switch bit. However, in pulse width HL continuously measurement mode, CNTR₁ interrupt request is generated at both rising and falling edges of CNTR₁ pin input signal regardless of the value of CNTR₁ active edge switch bit.

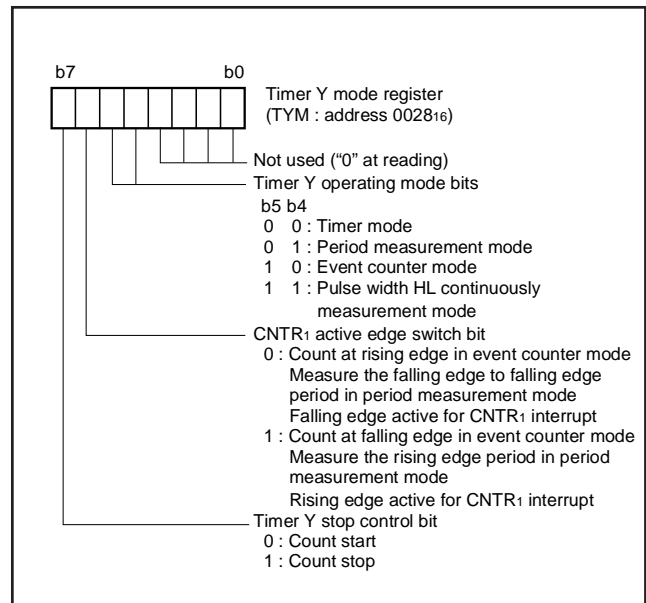


Fig. 24 Structure of timer Y mode register

Timer 1, Timer 2, Timer 3

Timer 1, timer 2, and timer 3 are 8-bit timers and is equipped with the timer latch. The count source for each timer can be selected by the timer 123 mode register.

The division ratio of each timer is given by $1/(n+1)$, where n is the value in the timer latch. All timers are down-counters. When the contents of the timer reach "00₁₆", an underflow occurs at the next count pulse and the contents of the timer latch are reloaded into the timer and the count is continued. When the timer underflows, the interrupt request bit corresponding to that timer is set to "1".

When a value is written to the timer 1 register and the timer 3 register, a value is simultaneously set as the timer latch and the timer. When the timer 1 register, the timer 2 register, or the timer 3 register is read, the count value of the timer can be read.

●Timer 2 Write Control

Which write can be selected by the timer 2 write control bit (bit 2) of the timer 123 mode register (address 0029₁₆), writing data to both the latch and the timer at the same time or writing data only to the latch. When the operation "writing data only to the latch" is selected, the value is set to the timer 2 latch by writing data to the timer 2 register and the timer 2 is updated at next underflow. After reset, the operation "writing data to both the latch and the timer at the same time" is selected, and the value is set to both the timer 2 latch and the timer 2 at the same time by writing data to the timer 2 register.

If the value is written in latch only, a value is simultaneously set to the timer 2 and the timer 2 latch when the writing in the high-order register and the underflow of timer 2 are performed at the same timing.

●Timer 2 Output Control

When the timer 2 (TOUT) output is enabled by the TOUT/ ϕ output enable bit and the TOUT/ ϕ output selection bit, an inversion signal from the TOUT pin is output each time timer 2 underflows.

In this case, set the P43/ ϕ /TOUT pin to output mode (set "1" to bit 3 of port P4 direction register).

■Note on Timer 1 to Timer 3

When the count source of timers 1 to 3 is changed, the timer counting value may become arbitrary value because a thin pulse is generated in count input of timer. If timer 1 output is selected as the count source of timer 2 or timer 3, when timer 1 is written, the counting value of timer 2 or timer 3 may become undefined value because a thin pulse is generated in timer 1 output.

Therefore, set the value of timer in the order of timer 1, timer 2 and timer 3 after the count source selection of timer 1 to 3.

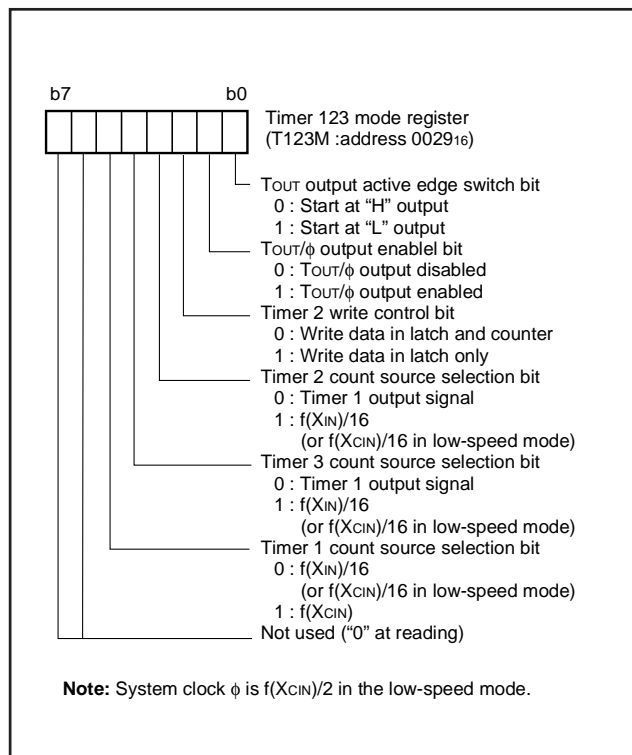


Fig. 25 Structure of timer 123 mode register

SERIAL INTERFACE

Serial I/O1

Serial I/O1 can be used as either clock synchronous or asynchronous (UART) serial I/O. A dedicated timer (baud rate generator) is also provided for baud rate generation.

(1) Clock Synchronous Serial I/O Mode

Clock synchronous serial I/O mode is selected by setting the serial I/O1 mode selection bit of the serial I/O1 control register to "1". For clock synchronous serial I/O mode, the transmitter and the receiver must use the same clock as an operation clock.

When an internal clock is selected as an operation clock, transmit or receive is started by a write signal to the transmit buffer register.

When an external clock is selected as an operation clock, serial I/O1 becomes the state where transmit or receive can be performed by a write signal to the transmit buffer register. Transmit and receive are started by input of an external clock.

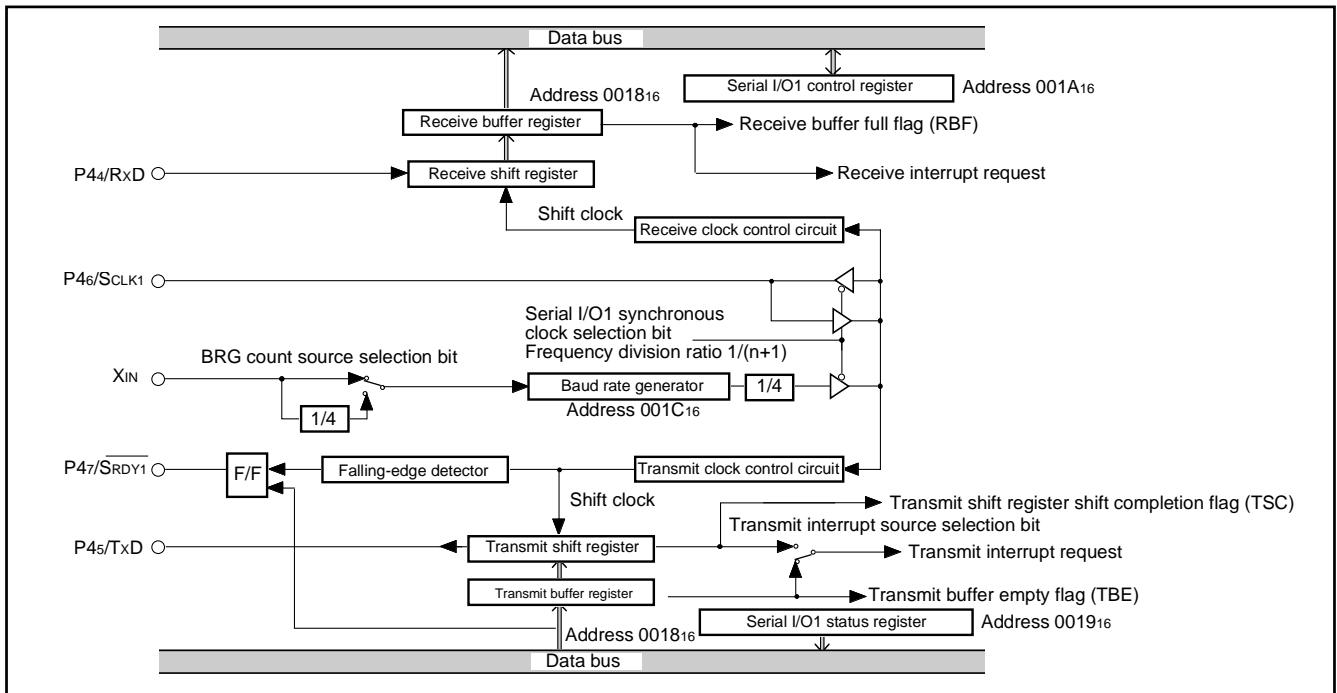


Fig. 26 Block diagram of clock synchronous serial I/O1

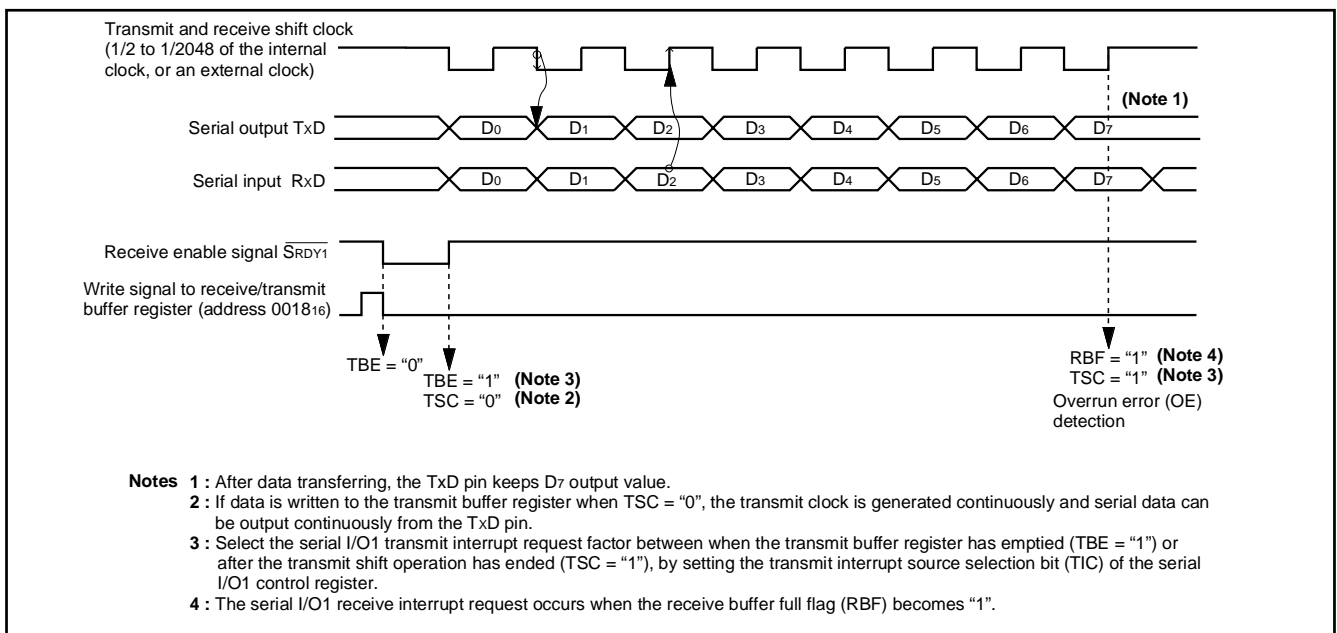


Fig. 27 Operation of clock synchronous serial I/O1 function

[Transmit Buffer/Receive Buffer Register (TB/RB)] 0018₁₆

The transmit buffer register and the receive buffer register are located at the same address. The transmit buffer register is write-only and the receive buffer register is read-only. If a character bit length is 7 bits, the MSB of data stored in the receive buffer register is "0".

[Serial I/O1 Status Register (SIO1STS)] 0019₁₆

The read-only serial I/O1 status register consists of seven flags (bits 0 to 6) which indicate the operating status of the serial I/O1 function and various errors.

Three of the flags (bits 4 to 6) are valid only in UART mode.

The receive buffer full flag (bit 1) is set to "0" when the receive buffer register is read.

If there is an error, it is detected at the same time that data is transferred from the receive shift register to the receive buffer register, and the receive buffer full flag is set to "1". A write signal to the serial I/O1 status register sets all the error flags (OE, PE, FE, and SE) (bit 3 to bit 6, respectively) to "0". Writing "0" to the serial I/O1 enable bit (SIOE) also sets all the status flags to "0", including the error flags.

All bits of the serial I/O1 status register are set to "0" at reset, but if the transmit enable bit of the serial I/O1 control register has been set to "1", the transmit shift register shift completion flag and the transmit buffer empty flag become "1".

[Serial I/O1 Control Register (SIO1CON)] 001A₁₆

The serial I/O1 control register contains eight control bits for the serial I/O1 function.

[UART Control Register (UARTCON)] 001B₁₆

The UART control register consists of the bits which set the data format of an data transmit and receive, and the bit which sets the output structure of the P45/TxD pin.

[Baud Rate Generator (BRG)] 001C₁₆

The baud rate generator is the 8-bit counter equipped with a reload register. Set the division value of the BRG count source to the baud rate generator.

The baud rate generator divides the frequency of the count source by $1/(n + 1)$, where n is the value written to the baud rate generator.

■Notes on serial I/O

When setting the transmit enable bit to "1", the serial I/O1 transmit interrupt request bit is automatically set to "1". When not requiring the interrupt occurrence synchronous with the transmission enabled, take the following sequence.

- ①Set the serial I/O1 transmit interrupt enable bit to "0" (disabled).
- ②Set the transmit enable bit to "1".
- ③Set the serial I/O1 transmit interrupt request bit to "0" after 1 or more instructions have been executed.
- ④Set the serial I/O1 transmit interrupt enable bit to "1" (enabled).

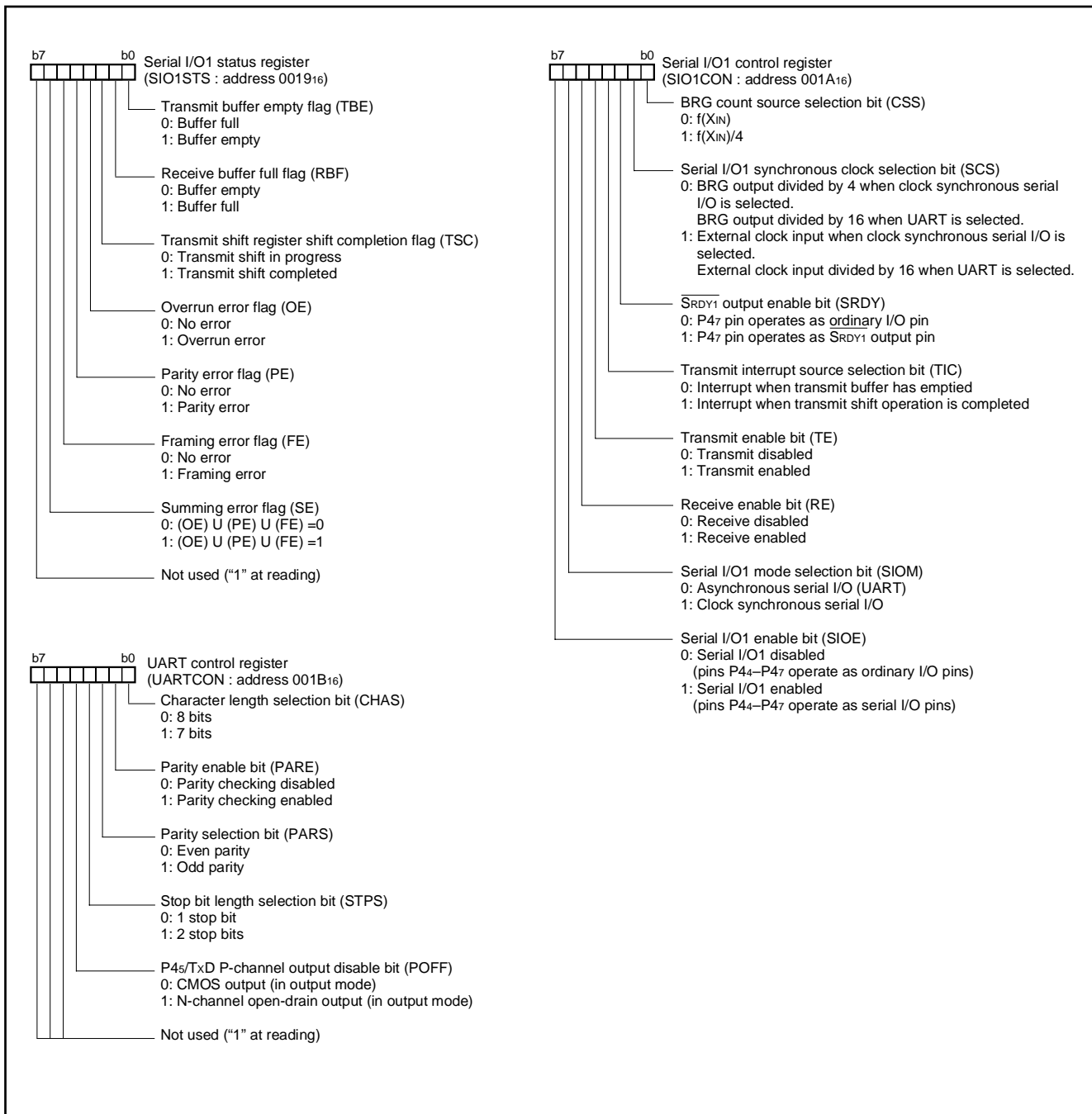


Fig. 30 Structure of serial I/O1 control registers

Serial I/O2

Serial I/O2 can be used only for clock synchronous serial I/O. For serial I/O2, the transmitter and the receiver must use the same clock as a synchronous clock. When an internal clock is selected as a synchronous clock, the serial I/O2 is initialized and, transmit and receive is started by a write signal to the serial I/O2 register.

When an external clock is selected as an synchronous clock, the serial I/O2 counter is initialized by a write signal to the serial I/O2 register, serial I/O2 becomes the state where transmission or reception can be performed. Write to the serial I/O2 register while SCLK21 is "H" state when an external clock is selected as an synchronous clock.

Either P62/SCLK21 or P63/SCLK22 pin can be selected as an output pin of the synchronous clock. In this case, the pin that is not selected as an output pin of the synchronous clock functions as a I/O port.

[Serial I/O2 Control Register (SIO2CON)] 001D16

The serial I/O2 control register contains eight control bits for the serial I/O2 functions. After setting to this register, write data to the serial I/O2 register and start transmit and receive.

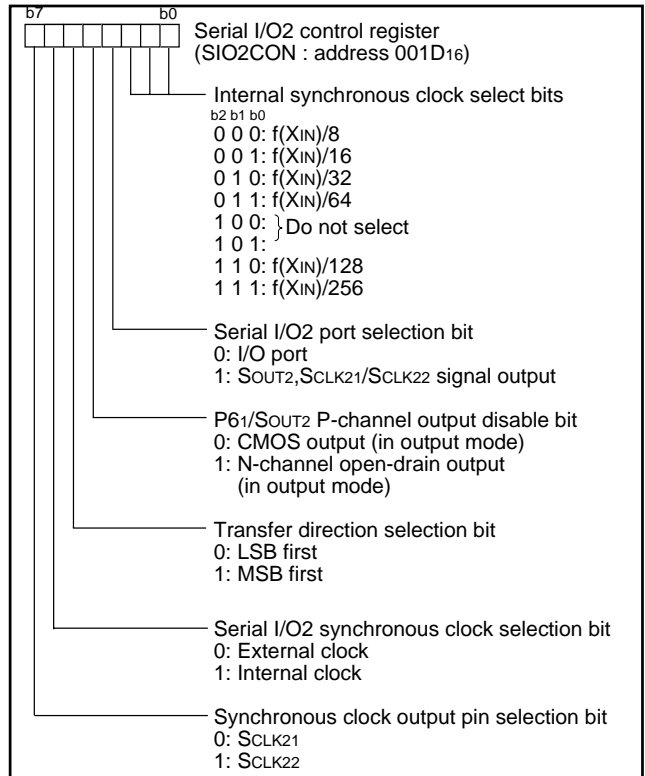


Fig. 31 Structure of serial I/O2 control register

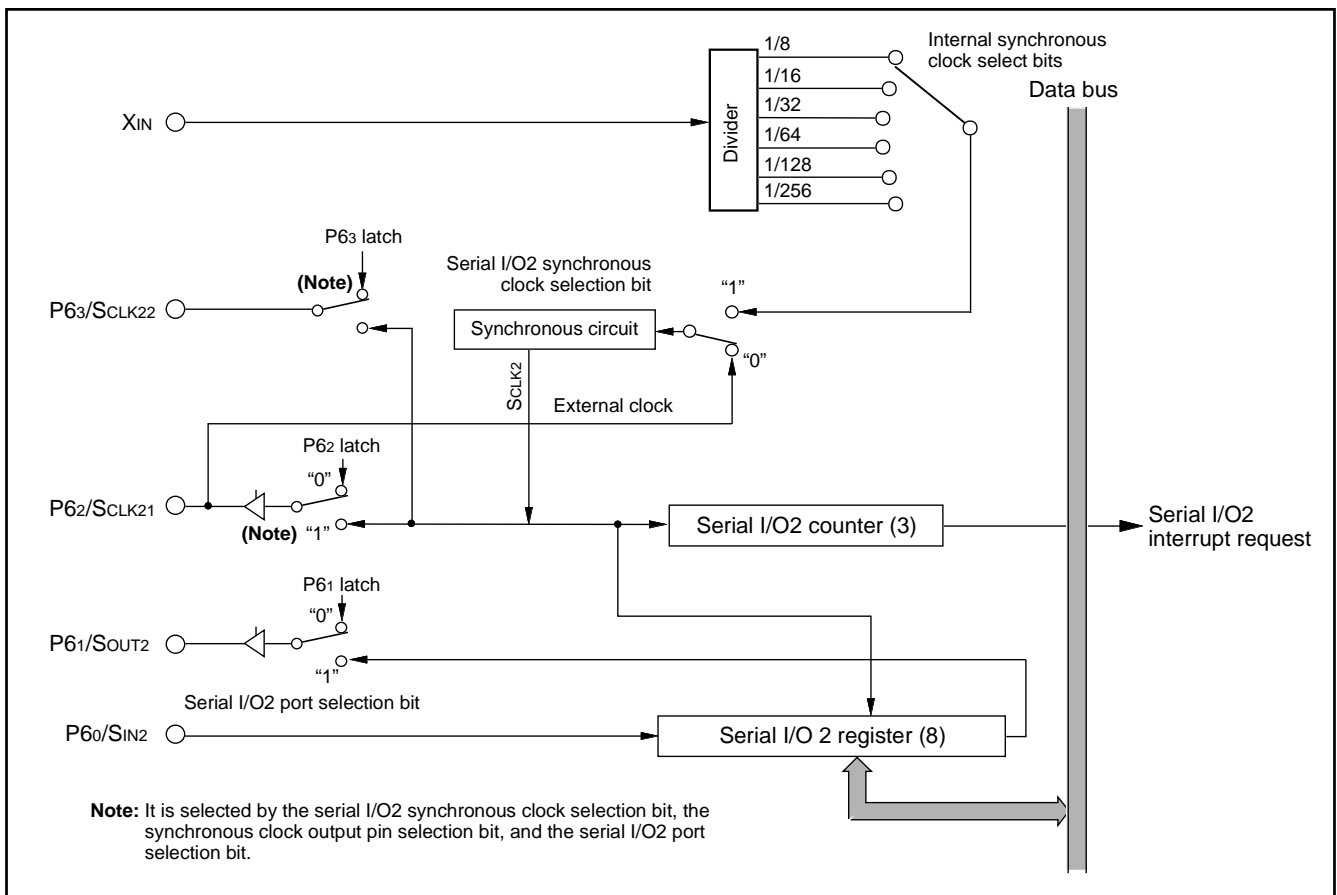


Fig. 32 Block diagram of serial I/O2 function

●Serial I/O2 Operating

The serial I/O2 counter is initialized to “7” by writing to the serial I/O2 register.

After writing, whenever a synchronous clock changes from “H” to “L”, data is output from the SOUT2 pin. Moreover, whenever a synchronous clock changes from “L” to “H”, data is taken in from the SIN2 pin, and 1 bit shift of the serial I/O2 register is carried out simultaneously.

When the internal clock is selected as a synchronous clock, it is as follows if a synchronous clock is counted 8 times.

- Serial I/O2 counter = “0”
- Synchronous clock stops in “H” state
- Serial I/O2 interrupt request bit = “1”

The SOUT2 pin is in a high impedance state after transfer is completed.

When the external clock is selected as a synchronous clock, if a synchronous clock is counted 8 times, the serial I/O2 interrupt request bit is set to “1”, and the SOUT2 pin holds the output level of D7. However, if a synchronous clock continues being input, the shift of the serial I/O2 register is continued and transmission data continues being output from the SOUT2 pin.

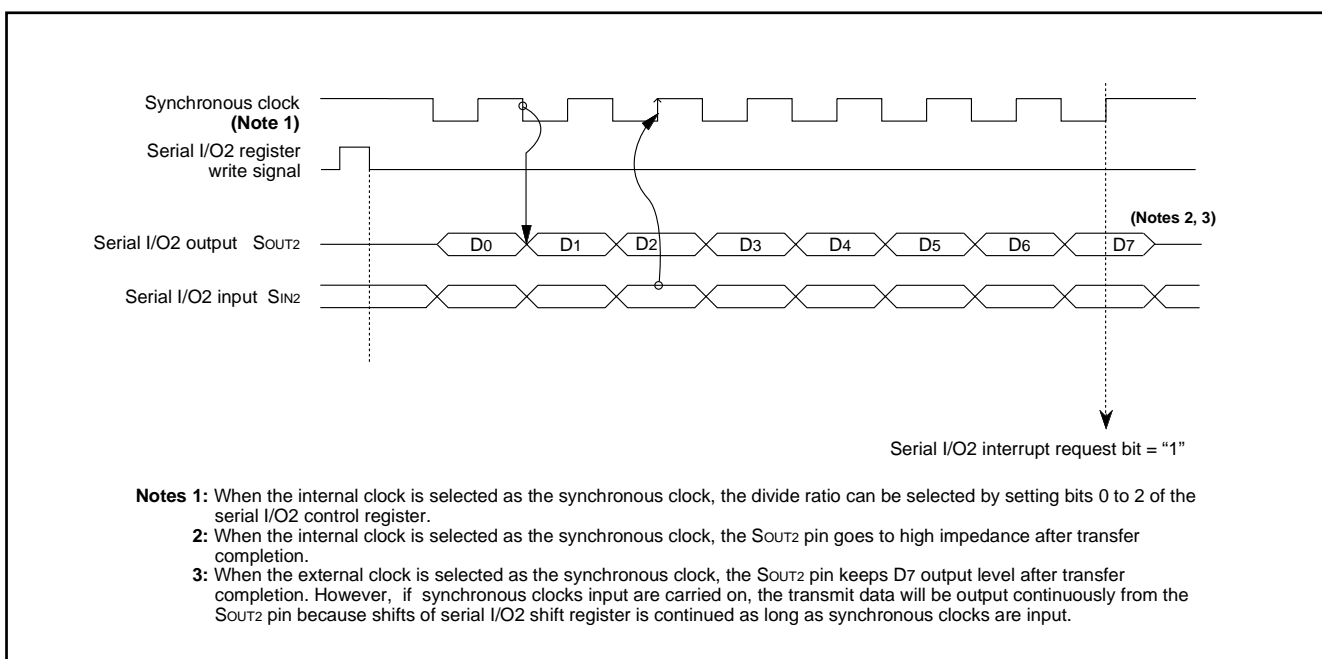


Fig. 33 Timing of serial I/O2 function

PULSE WIDTH MODULATION (PWM)

The 3826 group has a PWM function with an 8-bit resolution, using $f(X_{IN})$ or $f(X_{IN})/2$ as a count source.

Data Setting

The PWM output pins are shared with ports P50 and P51. Set the PWM period by the PWM prescaler, and set the period during which the output pulse is an "H" by the PWM register.

If PWM count source is $f(X_{IN})$ and the value in the PWM prescaler is n and the value in the PWM register is m (where $n = 0$ to 255 and $m = 0$ to 255) :

$$\begin{aligned} \text{PWM period} &= 255 \times (n+1) / f(X_{IN}) \\ &= 31.875 \times (n+1) \mu\text{s} \quad (\text{when } f(X_{IN}) = 8 \text{ MHz}) \end{aligned}$$

$$\begin{aligned} \text{Output pulse "H" period} &= \text{PWM period} \times m / 255 \\ &= 0.125 \times (n+1) \times m \mu\text{s} \\ &\quad (\text{when } f(X_{IN}) = 8 \text{ MHz}) \end{aligned}$$

PWM Operation

When either bit 1 (PWM0 function enable bit) or bit 2 (PWM1 function enable bit) of the PWM control register or both bits are enabled, operation starts from initializing status, and pulses are output starting at "H". When one PWM output is enabled and that the other PWM output is enabled, PWM output which is enabled to output later starts pulse output from halfway of PWM period (see Figure 37).

When the PWM register or PWM prescaler is updated during PWM output, the pulses will change in the cycle after the one in which the change was made.

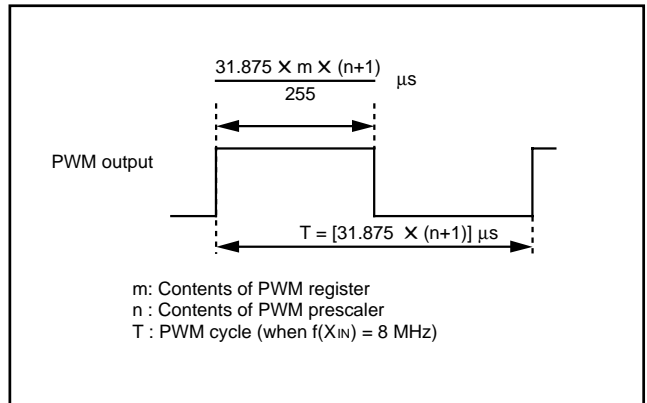


Fig. 34 Timing of PWM cycle

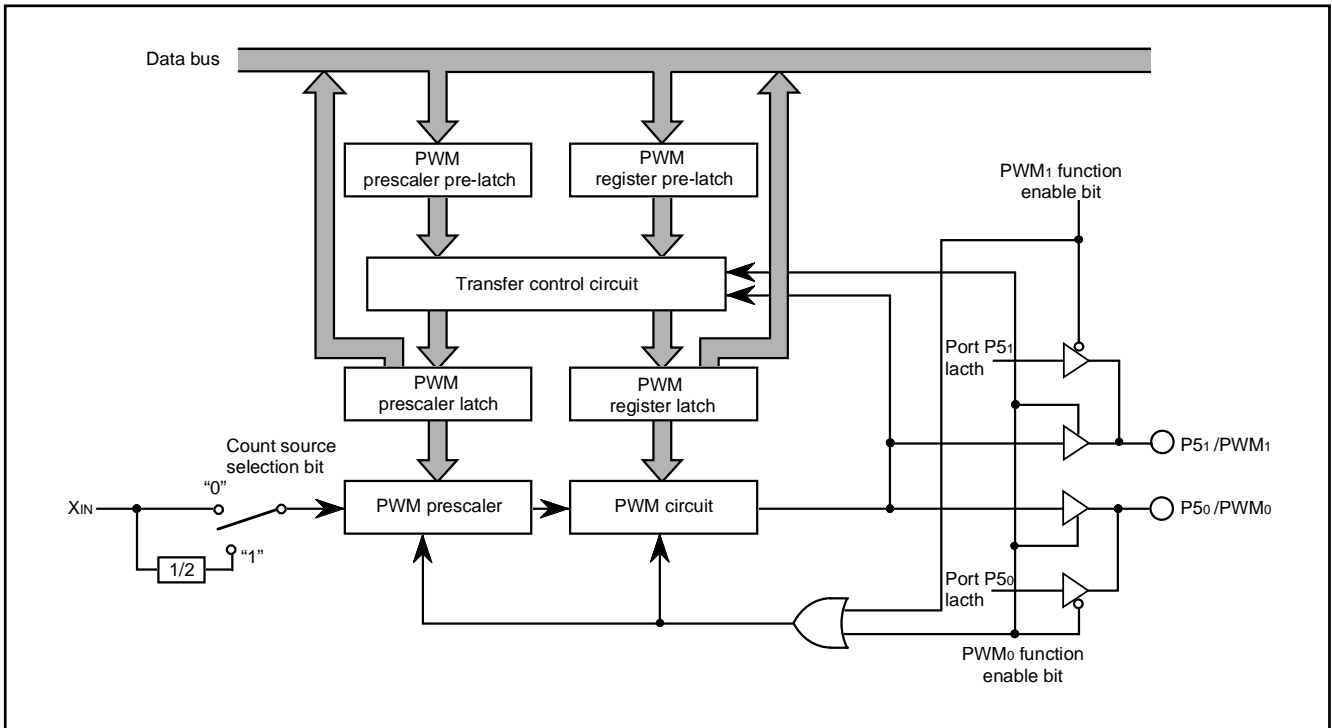


Fig. 35 Block diagram of PWM function

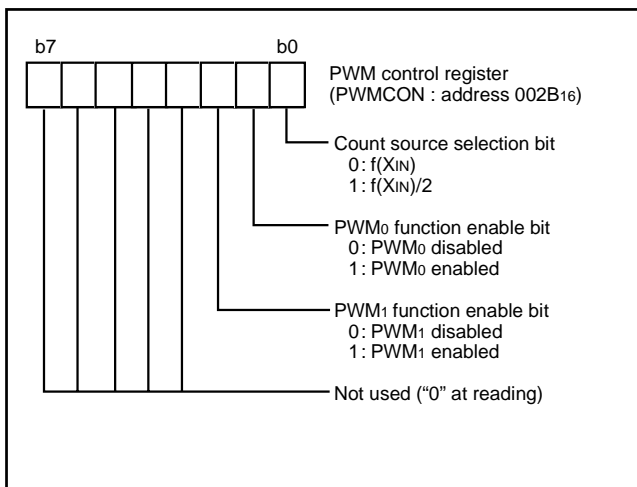


Fig. 36 Structure of PWM control register

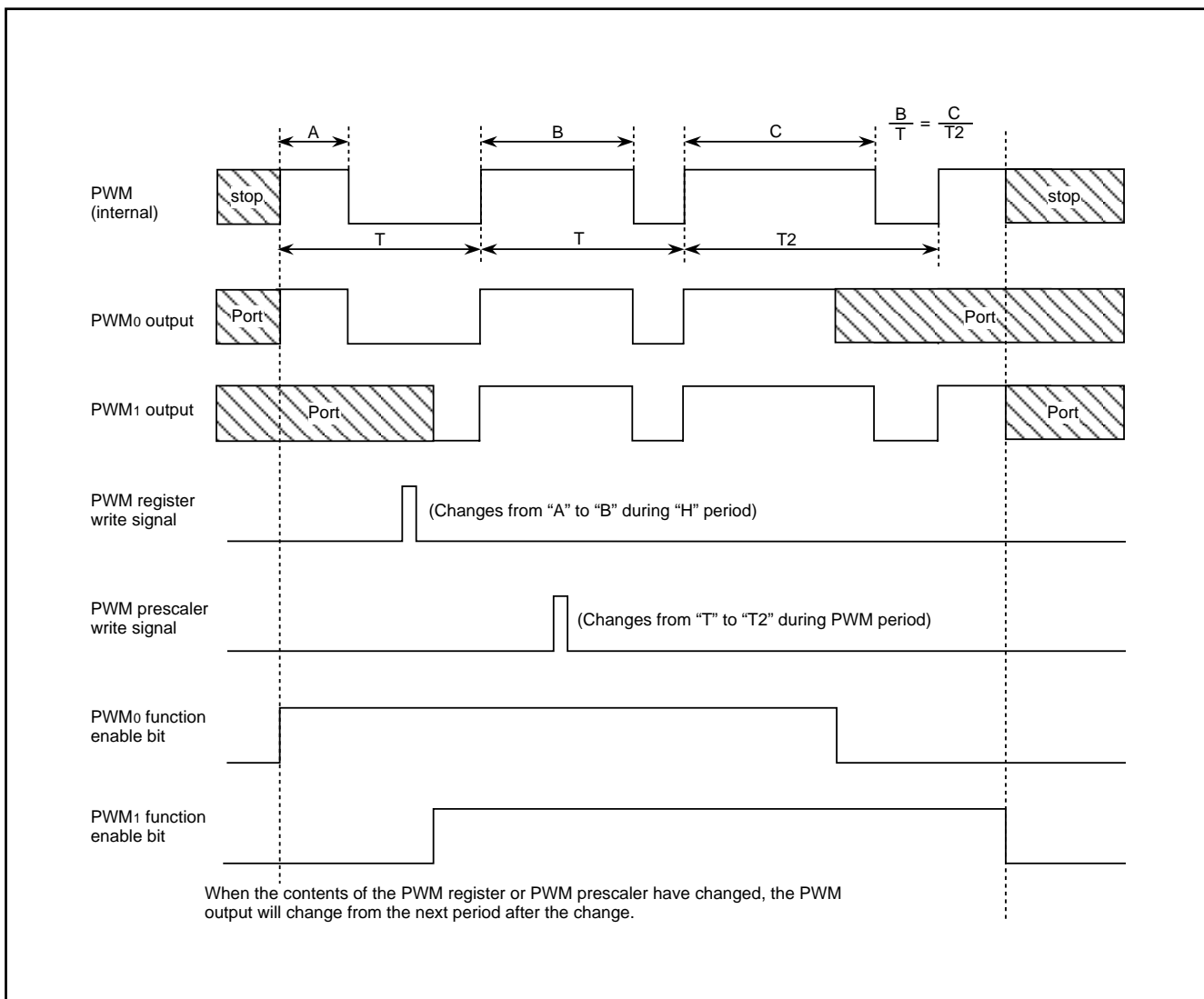


Fig. 37 PWM output timing when PWM register or PWM prescaler is changed

A/D CONVERTER

[AD Conversion Low-Order Register (ADL)] 001416

[AD Conversion High-Order Register (ADH)] 003516

The AD conversion registers are read-only registers that store the result of an A/D conversion. When reading this register during an A/D conversion, the previous conversion result is read.

The high-order 8 bits of a conversion result is stored in the AD conversion high-order register (address 003516), and the low-order 2 bits of the same result are stored in bit 7 and bit 6 of the AD conversion low-order register (address 001416).

Bit 0 of the AD conversion low-order register is the conversion mode selection bit. When this bit is set to "0", that becomes the 10-bit A/D mode. When this bit is set to "1", that becomes the 8-bit A/D mode.

[AD Control Register (ADCON)] 003416

The AD control register controls the A/D conversion process. Bits 0 to 2 of this register select specific analog input pins. Bit 3 indicates the completion of an A/D conversion. The value of this bit remains at "0" during an A/D conversion, then it is set to "1" when the A/D conversion is completed. Writing "0" to this bit starts the A/D conversion.

Bit 4 is the VREF input switch bit which controls connection of the resistor ladder and the reference voltage input pin (VREF). The resistor ladder is always connected to VREF when bit 4 is set to "1". When bit 4 is set to "0", the resistor ladder is cut off from VREF except for A/D conversion performed. When bit 5, which is the AD external trigger valid bit, is set to "1", A/D conversion starts also by a falling edge of an ADT input. When using an A/D external trigger, set the P57/ADT pin to input mode (set "0" to bit 7 of port P5 direction register).

Comparison Voltage Generator

The comparison voltage generator divides the voltage between AVSS and VREF by 256 (when 8-bit A/D mode) or 1024 (when 10-bit A/D mode), and outputs the divided voltages.

Channel Selector

The channel selector selects one of the input ports P67/AN7–P60/AN0.

Comparator and Control Circuit

The comparator and control circuit compare an analog input voltage with the comparison voltage and store the result in the AD conversion register. When an A/D conversion is completed, the control circuit sets the AD conversion completion bit and the A/D conversion interrupt request bit to "1".

Note that because the comparator consists of a capacitor coupling, set $f(X_{IN})$ to 500 kHz or more during an A/D conversion. Use the clock divided from the main clock $f(X_{IN})$ as the system clock ϕ .

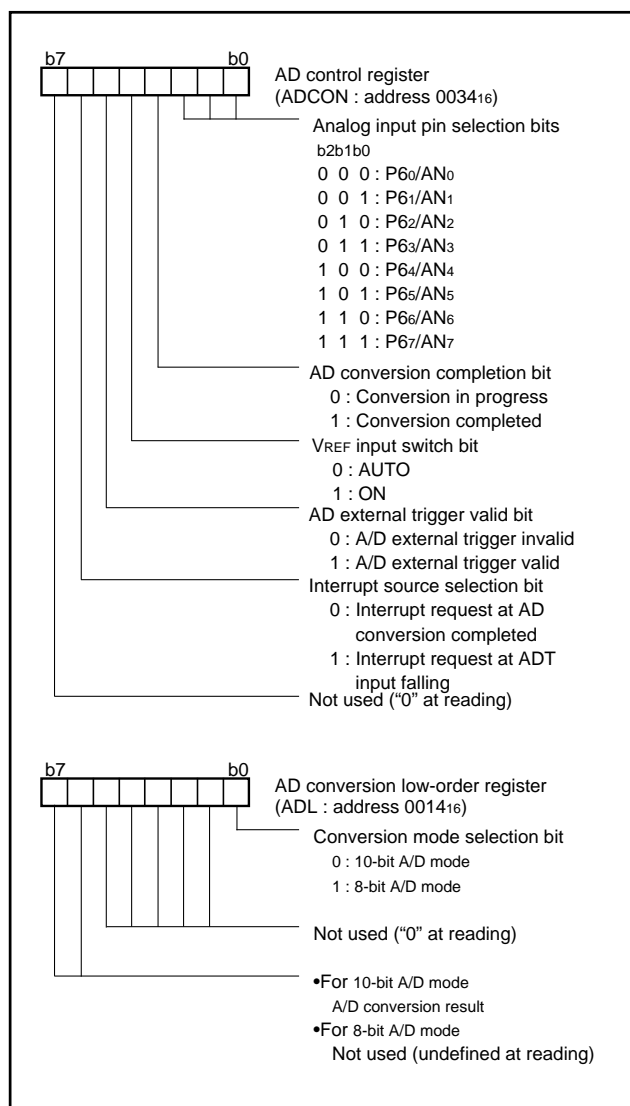
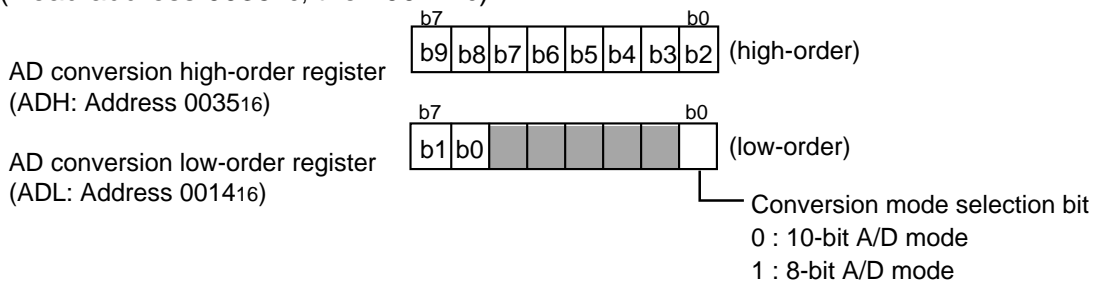


Fig. 38 Structure of A/D converter-related registers

•10-bit reading

(Read address 003516, then 001416)



Note : Bits 0 to 5 of address 001416 become "0" at reading.

•8-bit reading

(Read only address 003516)

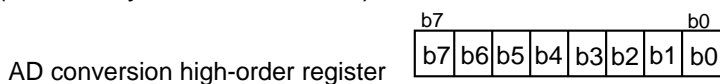


Fig. 39 Read of AD conversion register

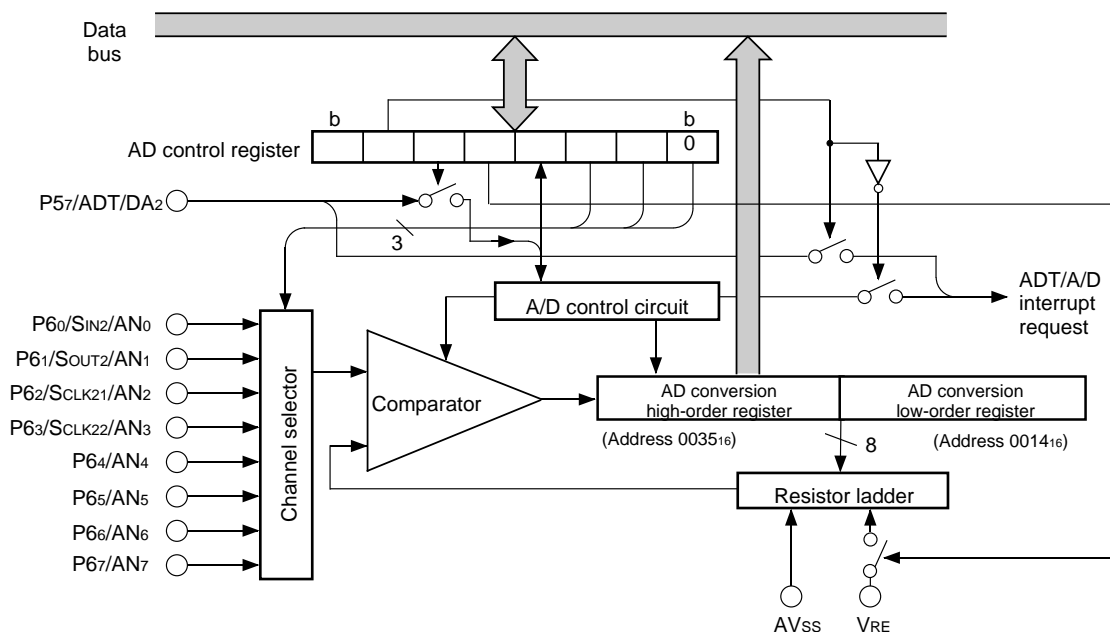


Fig. 40 A/D converter block diagram

D/A Converter

The 3826 group has a D/A converter with 8-bit resolution and 2 channels (DA1, DA2).

The D/A converter is started by setting the DTMF/DA1 selection bit and the CTCSS/DA2 selection bit to "0" and setting the value in the DA conversion register. When the DTMF/DA1 output enable bit and the CTCSS/DA2 output enable bit is set to "1", the result of D/A conversion is output from the corresponding DA1 pin or DA2 pin.

When using the D/A converter, set the P56/DA1 pin and the P57/DA2 pin to input mode (set "0" to bits 6, 7 of port P5 direction register) and the pull-up resistor should be in the OFF state previously.

$$V = V_{REF} \times n / 256 \quad (n=0 \text{ to } 255)$$

Where VREF is the reference voltage.

At reset, the DA conversion registers are set to "0016", the DTMF/DA1 output enable bit and the CTCSS/DA2 output enable bit are set to "0", and the P56/DA1 pin and the P57/DA2 pin goes to high impedance state. The D/A converter is not buffered, so connect an external buffer when driving a low-impedance load.

■ Note on applied voltage to VREF pin

When the P56/DA1 pin and the P57/DA2 pin are used as an I/O port, be sure to apply Vcc to VREF pin.

When these pins are used as D/A conversion output pins, the Vcc level is recommended for the applied voltage to VREF pin.

When the voltage below Vcc level is applied, the D/A conversion accuracy may be worse.

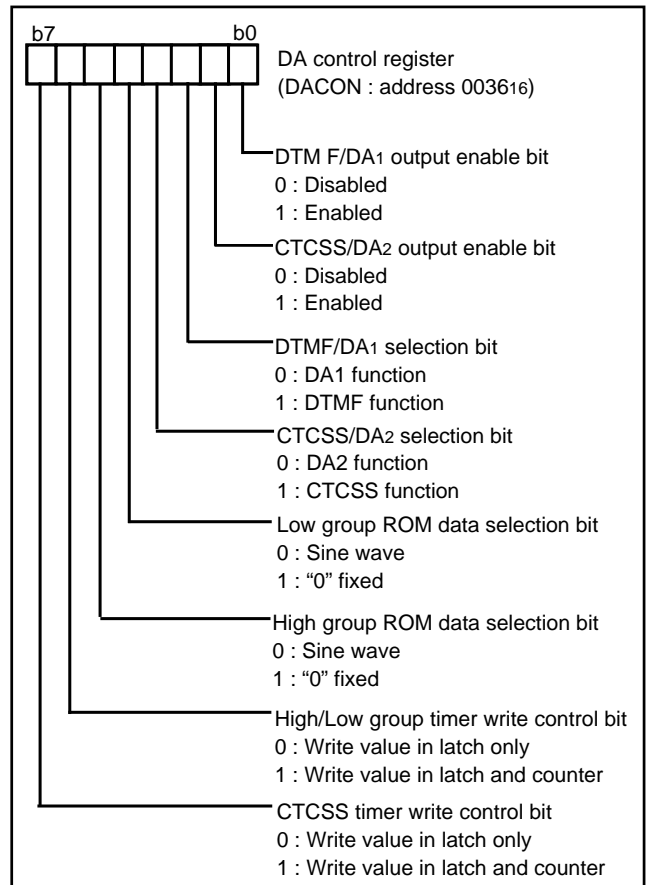


Fig. 41 Structure of DA control register

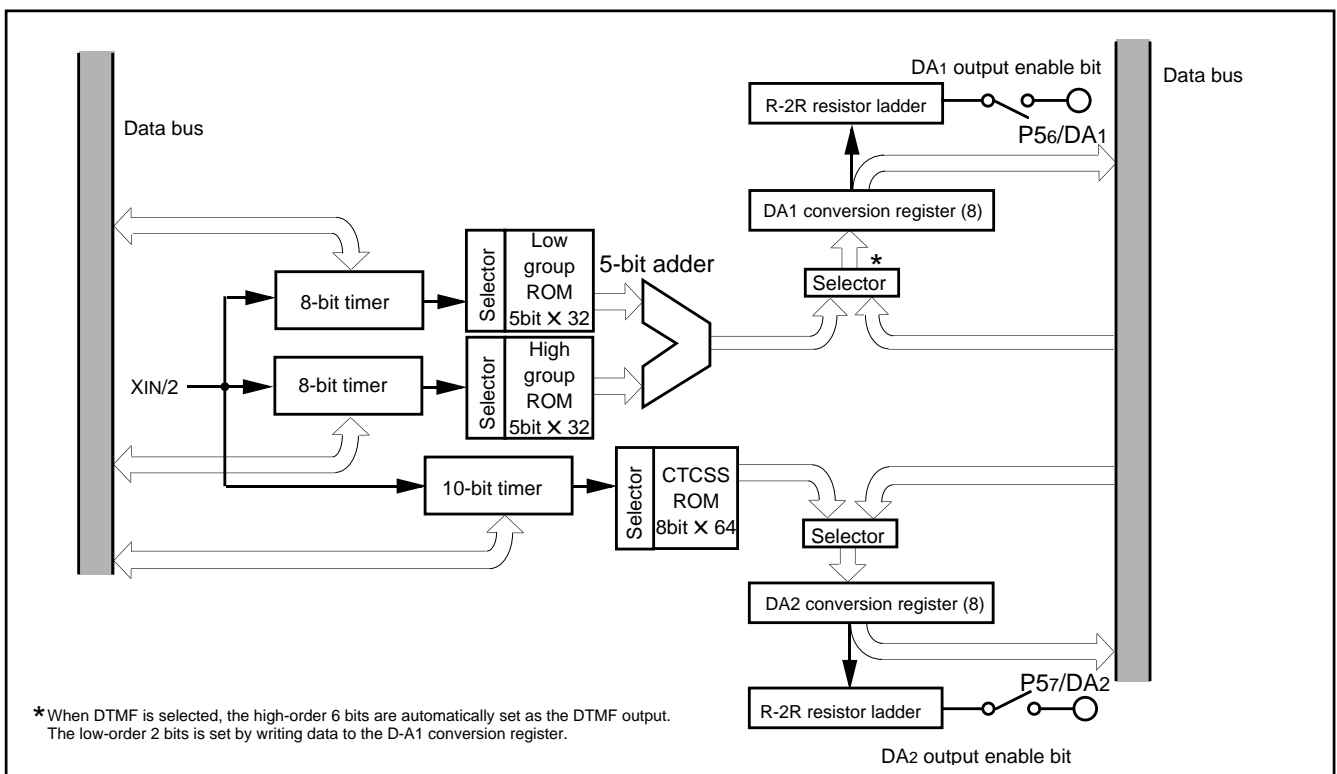


Fig. 42 Block diagram of D/A converter

DTMF Function (Dual Tone Multi Frequency)

DTMF function is used to output the result which generated automatically the waveform of sine wave of two kinds of different frequency, and added two kinds of this sine wave as an analog value.

DTMF output waveform can be output from DA1 pin. DTMF waveform is output by setting "1" (enabled) to the DTMF/DA1 output enable bit (bit 0 of address 003616), and setting "1" to the DTMF/DA1 selection bit (bit 2 of address 003616). At this time, set "0" (input state) to the direction register of ports P56/DA1 pin and pull-up resistor to be OFF state.

In order to set two kinds of frequency which generates DTMF waveform, write a value in the DTMF high group timer and the DTMF low group timer, respectively. The value written in each above-mentioned timer is n, the sine wave of the following frequency can be generated.

$$f = \frac{f(XIN)/2}{(n+1) \times 32} \text{ (Hz)}$$

Set "0616" or more to the DTMF high group timer and the DTMF low group timer. After reset release, "0616" is automatically set to them.

The digital value for one period of high group and low group output is shown in Figure 43.

DTMF output is automatically input to high-order 6 bits of the D/A1 conversion register as 6-bit D/A data. The low-order 2 bits of the D/A1 conversion register are fixed to the value written in the D/A1 conversion register.

Moreover, only the sine wave of high group can be output by setting "1" to the bit 4 of the D/A control register. By setting "1" to the bit 5 of the D/A control register similarly, only the sine wave of low group can be output. Writing to the DTMF high group timer and the DTMF low group timer can also be changed to "writing to latch and timer simultaneously" by setting "1" to the bit 6 of the D/A control register. "Writing to only latch" is set after reset release. If the D/A1 conversion register is read when the DTMF function is selected, the digital value of DTMF output can be read.

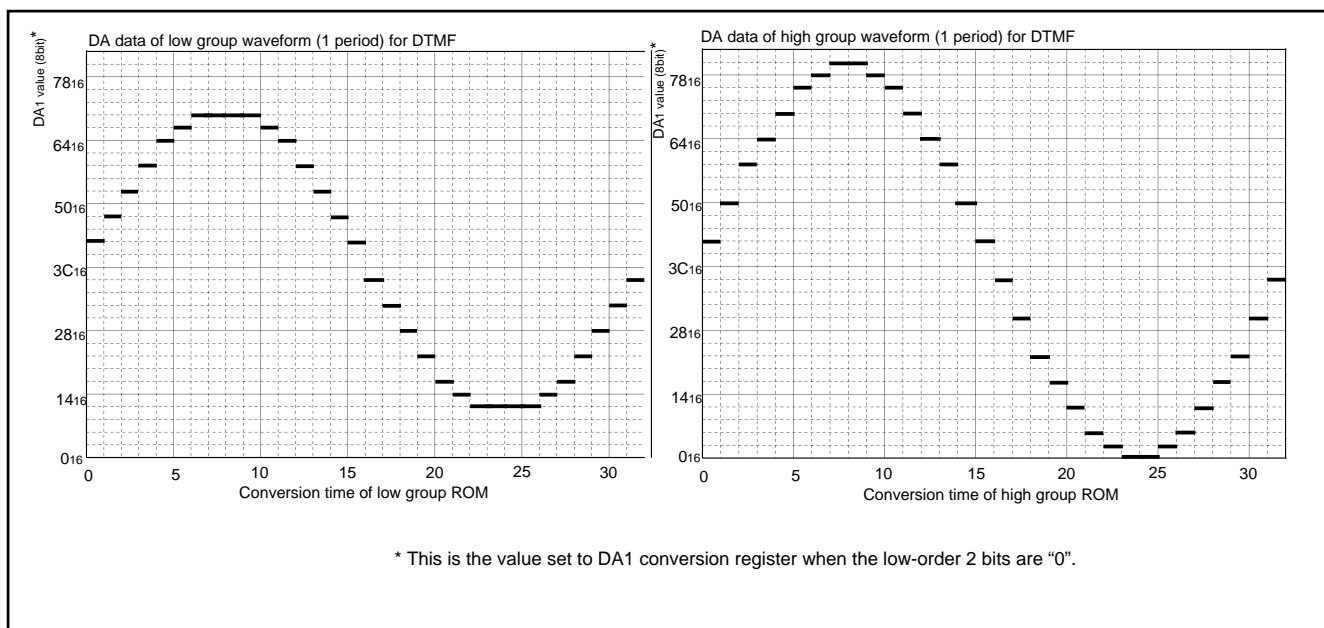


Fig. 43 Waveform data of high group and low group

Low Group Frequency, High Group Frequency

Low group frequency and high group frequency are as follows.

(1) Low group frequency

- 697 Hz
- 770 Hz
- 852 Hz
- 941 Hz

(2) High group frequency

- 1209 Hz
- 1336 Hz
- 1477 Hz
- 1633 Hz

Table 9 shows the example of frequency accuracy (at $f(X_{IN})=4$ MHz).

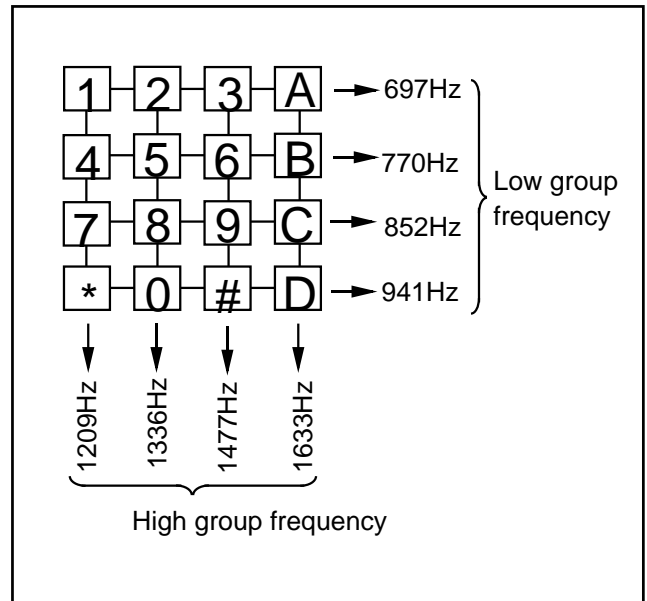


Table 9 Example of frequency accuracy (at $f(X_{IN}) = 4$ MHz)

Fig. 44 Key matrix of telephone and rating frequency

Rating frequency (Hz)	n (Timer value)	Output frequency (Hz)	Error frequency (Hz)	Deviation (%)
697	89	694.4	-2.6	-0.367
770	80	771.6	1.6	0.208
852	72	856.2	4.2	0.488
941	65	946.9	5.9	0.630
1209	51	1201.9	-7.1	-0.580
1336	46	1329.7	-6.3	-0.460
1477	41	1488.1	11.1	0.750
1633	37	1644.7	11.7	0.720

CTCSS Function (Continuous Tone-Controlled Squelch System)

The CTCSS function is used to generate the sine wave of single frequency automatically. The CTCSS output waveform can be output from DA2 pin. CTCSS waveform is outputted by setting "1" to the CTCSS/DA2 output enable bit (bit 1 of address 003616), and setting "1" to the CTCSS/DA2 selection bit (bit 3 of address 003616). In order to set the frequency of CTCSS output, value is written in the CTCSS timer. The CTCSS timer consists of a 10-bit timer. When writing a value to the CTCSS timer, write the low-order byte first.

When reading a value from the CTCSS timer, read the high-order byte first. By the value written in the CTCSS timer is n, the sine wave of the following frequency is generated.

$$f = \frac{f(X_{IN})/2}{(n+1) \times 64} \text{ (Hz)}$$

Set "00616" or more to the CTCSS timer. "0016" is automatically set to the high-order of the CTCSS timer and "0616" is automatically set to the low-order of the CTCSS timer after reset release. The amplitude of CTCSS output is obtained by the following formula.

$$C = \frac{V_{CC}}{2}$$

If the D/A2 conversion register is read when the CTCSS function is selected, the digital value of CTCSS output can be read.

Table 10 shows the example of frequency accuracy (at $f(X_{IN}) = 4$ MHz).

Table 10 Example of frequency accuracy (at $f(X_{IN}) = 4$ MHz)

Rating frequency (Hz)	n (Timer value)	Output frequency (Hz)]	Error frequency (Hz)	Deviation (%)
67.0	465	67.06	0.06	0.089
77.0	405	76.97	-0.03	-0.038
88.5	352	88.53	0.027	0.030
100.0	312	99.84	-0.16	-0.160
107.2	291	107.02	-0.18	-0.167
114.8	271	114.89	0.09	0.078
123.0	253	123.03	0.03	0.026
131.8	236	131.86	0.06	0.043
141.3	220	141.40	0.10	0.073
151.4	205	151.70	0.30	0.198
162.2	192	161.92	-0.28	-0.174
173.8	179	173.61	-0.19	-0.109
186.2	167	186.01	-0.19	-0.101
203.5	153	202.92	-0.58	-0.284
218.1	142	218.53	0.43	0.198
233.6	133	233.20	-0.39	-0.167
250.3	124	250.00	-0.30	-0.120

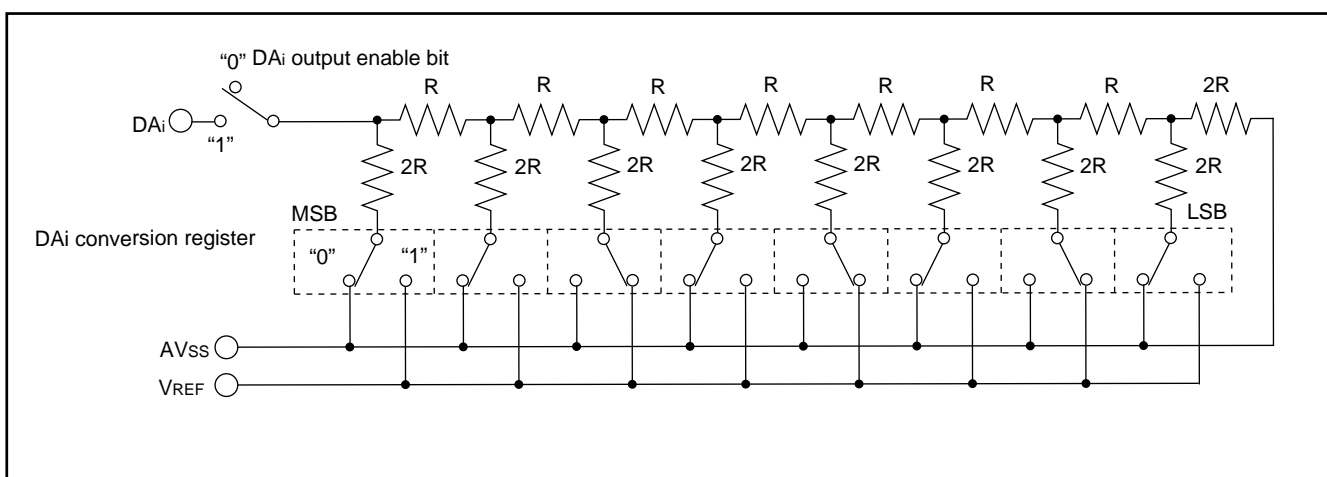


Fig. 45 Equivalent connection circuit of D/A converter

LCD DRIVE CONTROL CIRCUIT

The 3826 group has the Liquid Crystal Display (LCD) drive control circuit consisting of the following.

- LCD display RAM
- Segment output enable register
- LCD mode register
- Voltage multiplier
- Selector
- Timing controller
- Common driver
- Segment driver
- Bias control circuit

A maximum of 40 segment output pins and 4 common output pins can be used.

Up to 160 pixels can be controlled for LCD display. When the LCD

enable bit is set to “1” (LCD ON) after data is set in the LCD mode register, the segment output enable register and the LCD display RAM, the LCD drive control circuit starts reading the display data automatically, performs the bias control and the duty ratio control, and displays the data on the LCD panel.

Table 9 Maximum number of display pixels at each duty ratio

Duty ratio	Maximum number of display pixel
2	80 dots or 8 segment LCD 10 digits
3	120 dots or 8 segment LCD 15 digits
4	160 dots or 8 segment LCD 20 digits

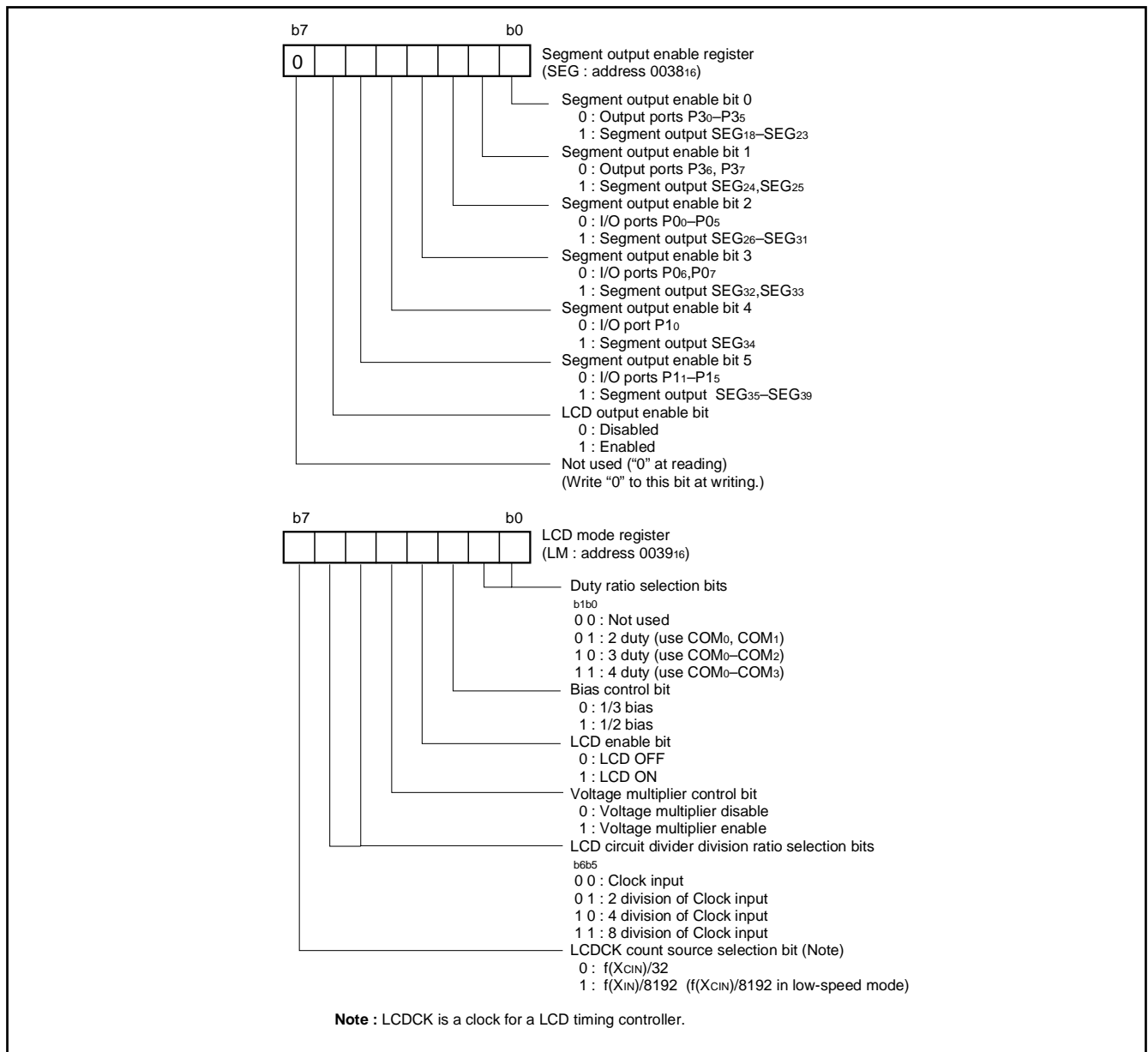
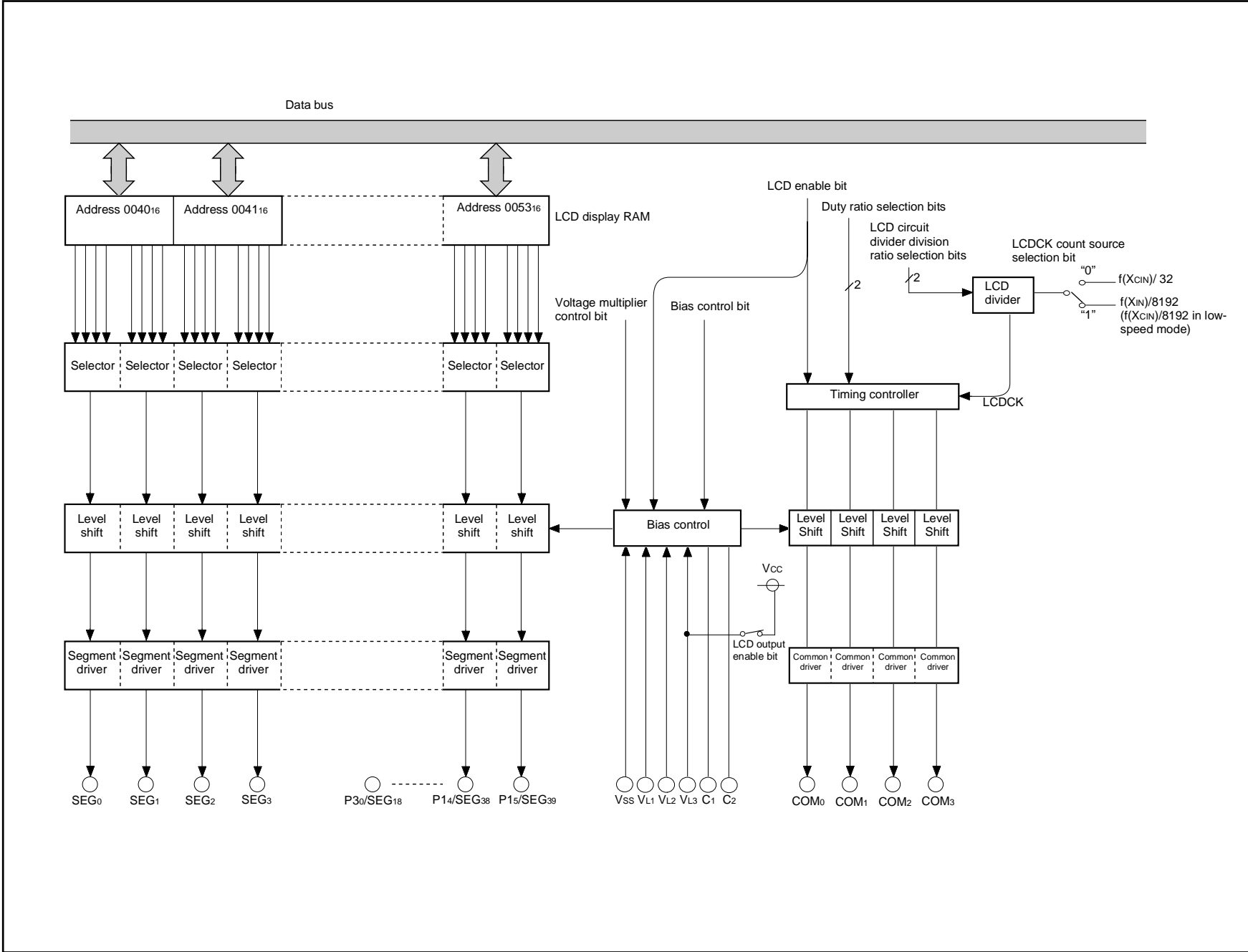


Fig. 46 Structure of segment output enable register and LCD mode register

Fig. 47 Block diagram of LCD controller/driver



Voltage Multiplier (3 Times)

The voltage multiplier performs threefold boosting. This circuit inputs a reference voltage for boosting from LCD power input pin VL1.

Set each bit of the segment output enable register and the LCD mode register in the following order for operating the voltage multiplier.

1. Set the segment output enable bits (bits 0 to 5) of the segment output enable register to "0" or "1".
2. Set the duty ratio selection bits (bits 0 and 1), the bias control bit (bit 2), the LCD circuit divider division ratio selection bits (bits 5 and 6), and the LCDCK count source selection bit (bit 7) of the LCD mode register to "0" or "1".
3. Set the LCD output enable bit (bit 6) of the segment output enable register to "1" (enabled). Apply the limit voltage or less to the VL1 pin.
4. Set the voltage multiplier control bit (bit 4) of the LCD mode register to "1" (voltage multiplier enabled). However, be sure to select 1/3 bias for bias control.

When voltage is input to the VL1 pin during operating the voltage multiplier, voltage that is twice as large as VL1 occurs at the VL2 pin, and voltage that is three times as large as VL1 occurs at the VL3 pin.

Notes on Voltage Multiplier

When using the voltage multiplier, apply the limit voltage or less to the VL1 pin, then set the voltage multiplier control bit to "1" (enabled).

When not using the voltage multiplier, set the LCD output enable bit to "1", then apply proper voltage to the LCD power input pins (VL1-VL3). When the LCD output enable bit is set to "0" (disabled) (during reset is included), the VL3 pin is connected to VCC inside of this microcomputer. When the voltage exceeding VCC is applied to VL3, apply VL3 voltage after setting the LCD output enable bit to "1" (enabled).

Bias Control and Applied Voltage to LCD Power Input Pins

To the LCD power input pins (VL1-VL3), apply the voltage shown in Table 10 according to the bias value.

Select a bias value by the bias control bit (bit 2 of the LCD mode register).

Table 10 Bias control and applied voltage to VL1-VL3

Bias value	Voltage value
1/3 bias	VL3=VLCD VL2=2/3 VLCD VL1=1/3 VLCD
1/2 bias	VL3=VLCD VL2=VL1=1/2 VLCD

Note : VLCD is the maximum value of supplied voltage for the LCD panel.

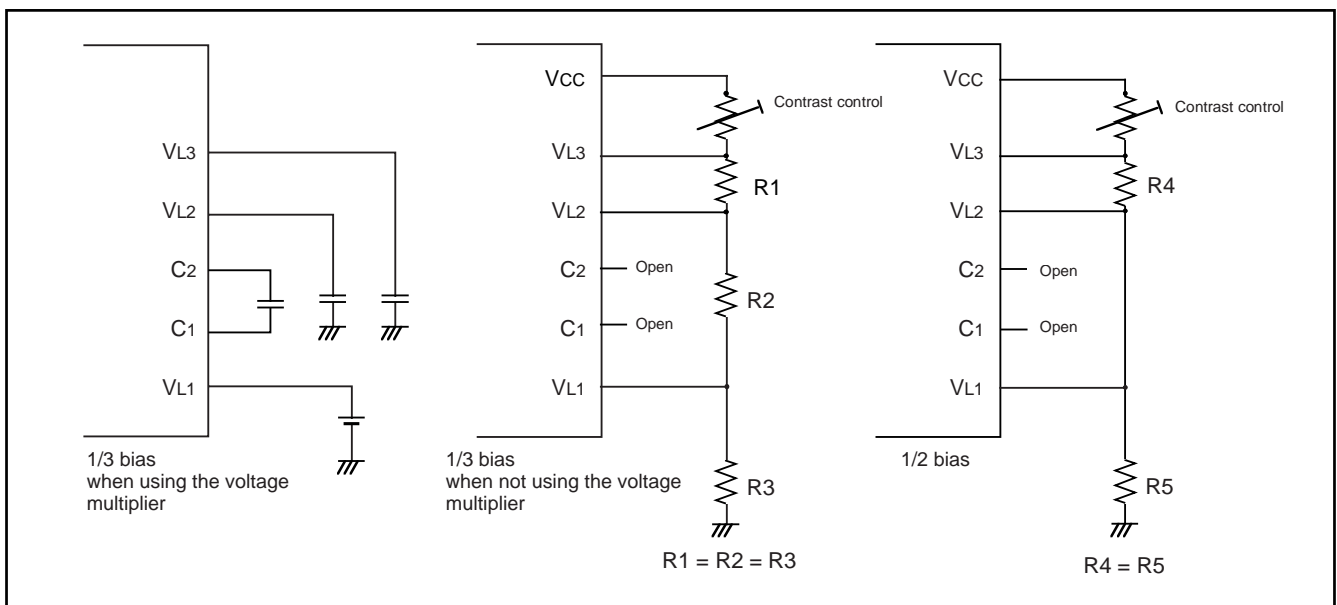


Fig. 48 Example of circuit at each bias

Common Pin and Duty Ratio Control

The common pins (COM₀–COM₃) to be used are determined by duty ratio.

Select duty ratio by the duty ratio selection bits (bits 0 and 1 of the LCD mode register).

After reset, the V_{CC} (VL₃) voltage is output from the common pins.

Table 11 Duty ratio control and common pins used

Duty ratio	Duty ratio selection bits		Common pins used
	Bit 1	Bit 0	
2	0	1	COM ₀ , COM ₁ (Note 1)
3	1	0	COM ₀ –COM ₂ (Note 2)
4	1	1	COM ₀ –COM ₃

Notes 1: COM₂ and COM₃ are open.
2: COM₃ is open.

Segment Signal Output Pins

Segment signal output pins are classified into the segment-only pins (SEG₀–SEG₁₇), the segment or output port pins (SEG₁₈–SEG₂₅), and the segment or I/O port pins (SEG₂₆–SEG₃₉).

Segment signals are output according to the bit data of the LCD RAM corresponding to the duty ratio. After reset, a V_{CC} (=VL₃) voltage is output to the segment-only pins and the segment/output port pins are the high impedance condition and pulled up to V_{CC} (=VL₃) voltage.

Also, the segment/I/O port pins (SEG₂₆–SEG₃₉) are set to input mode as I/O ports, and V_{CC} (=VL₃) is applied to them by pull-up resistor.

LCD Display RAM

Addresses 0040₁₆ to 0053₁₆ are the designated RAM for the LCD display. When “1” are written to these addresses, the corresponding segments of the LCD display panel are turned on.

LCD Drive Timing

The frequency of internal signal LCDCK decided LCD drive timing and the frame frequency can be determined with the following equation:

$$f(\text{LCDCK}) = \frac{\text{(frequency of count source for LCDCK)}}{\text{(divider division ratio for LCD)}}$$

$$\text{Frame frequency} = \frac{f(\text{LCDCK})}{\text{duty ratio}}$$

Address \ Bit	Bit							
	7	6	5	4	3	2	1	0
	COM ₃	COM ₂	COM ₁	COM ₀	COM ₃	COM ₂	COM ₁	COM ₀
0040 ₁₆			SEG ₁					SEG ₀
0041 ₁₆			SEG ₃					SEG ₂
0042 ₁₆			SEG ₅					SEG ₄
0043 ₁₆			SEG ₇					SEG ₆
0044 ₁₆			SEG ₉					SEG ₈
0045 ₁₆			SEG ₁₁					SEG ₁₀
0046 ₁₆			SEG ₁₃					SEG ₁₂
0047 ₁₆			SEG ₁₅					SEG ₁₄
0048 ₁₆			SEG ₁₇					SEG ₁₆
0049 ₁₆			SEG ₁₉					SEG ₁₈
004A ₁₆			SEG ₂₁					SEG ₂₀
004B ₁₆			SEG ₂₃					SEG ₂₂
004C ₁₆			SEG ₂₅					SEG ₂₄
004D ₁₆			SEG ₂₇					SEG ₂₆
004E ₁₆			SEG ₂₉					SEG ₂₈
004F ₁₆			SEG ₃₁					SEG ₃₀
0050 ₁₆			SEG ₃₃					SEG ₃₂
0051 ₁₆			SEG ₃₅					SEG ₃₄
0052 ₁₆			SEG ₃₇					SEG ₃₆
0053 ₁₆			SEG ₃₉					SEG ₃₈

Fig. 49 LCD display RAM map

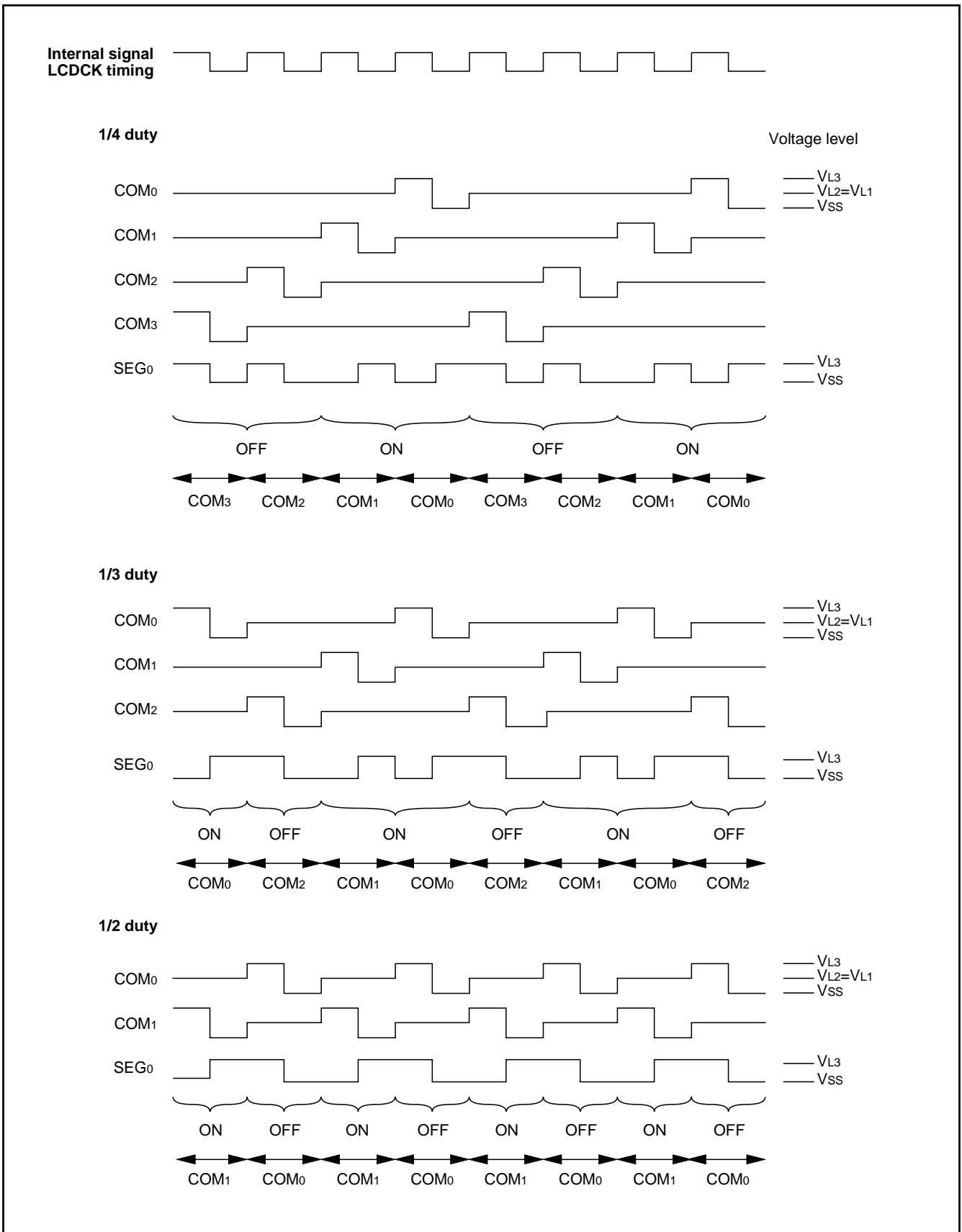


Fig. 50 LCD drive waveform (1/2 bias)

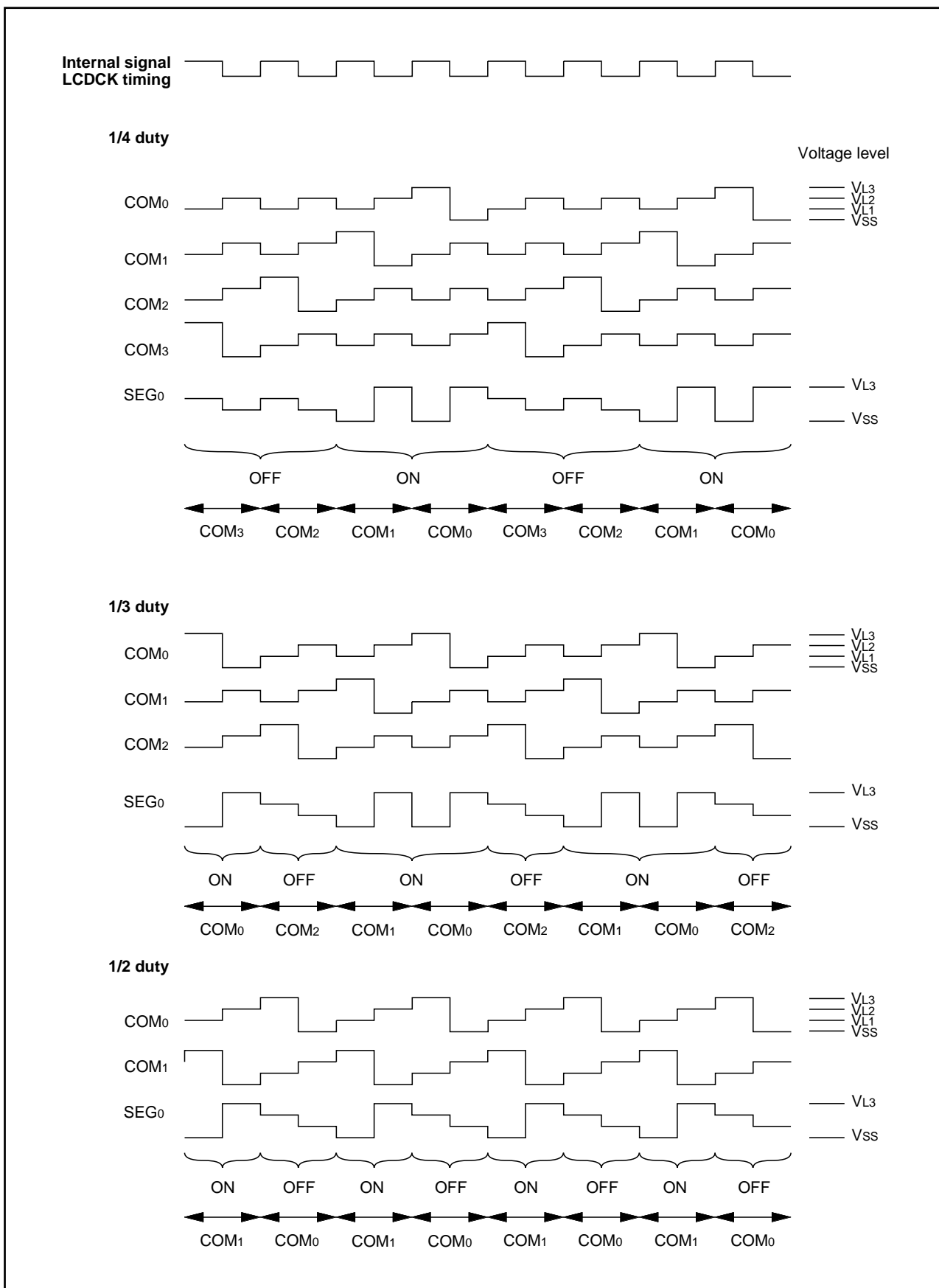


Fig. 51 LCD drive waveform (1/3 bias)

Watchdog Timer

The watchdog timer gives a mean of returning to the reset status when a program cannot run on a normal loop (for example, because of a software runaway).

The watchdog timer consists of an 8-bit watchdog timer L and a 6-bit watchdog timer H. At reset or writing to the watchdog timer control register (address 0037₁₆), the watchdog timer is set to "3FFF₁₆". When any data is not written to the watchdog timer control register (address 0037₁₆) after reset, the watchdog timer is stopped. The watchdog timer starts to count down from "3FFF₁₆" by writing to the watchdog timer control register and an internal reset occurs at an underflow. Accordingly, when using the watchdog timer function, write the watchdog timer control register before an underflow. The watchdog timer does not function when writing to the watchdog timer control register has not been done after reset. When not using the watchdog timer, do not write to it. When the watchdog timer control register is read, the following values are read:

- value of high-order 6-bit counter
- value of STP instruction disable bit
- value of count source selection bit.

When the STP instruction disable bit is "0", the STP instruction is enabled. The STP instruction is disabled when this bit is set to "1". If the STP instruction which is disabled is executed, it is processed as an undefined instruction, so that a reset occurs internally.

This bit can be set to "1" but cannot be set to "0" by program. This bit is "0" after reset.

When the watchdog timer H count source selection bit is "0", the detection time is set to 8.19 s at $f(XCIN) = 32 \text{ kHz}$ and 32.768 ms at $f(XIN) = 8 \text{ MHz}$.

When the watchdog timer H count source selection bit is "1", the detection time is set to 32 ms at $f(XCIN) = 32 \text{ kHz}$ and 128 μs at $f(XIN) = 8 \text{ MHz}$. There is no difference in the detection time between the middle-speed mode and the high-speed mode.

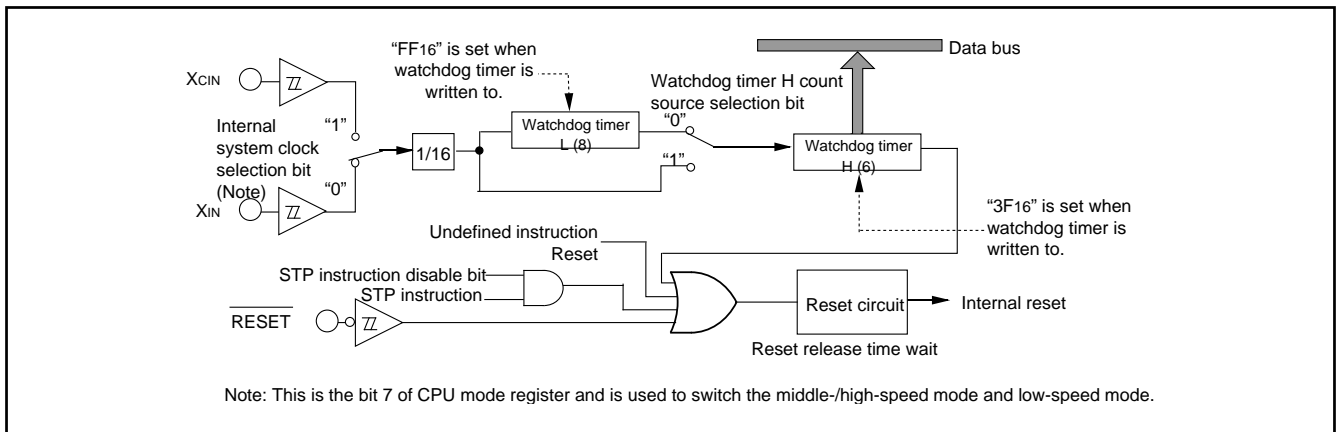


Fig. 52 Block diagram of watchdog timer

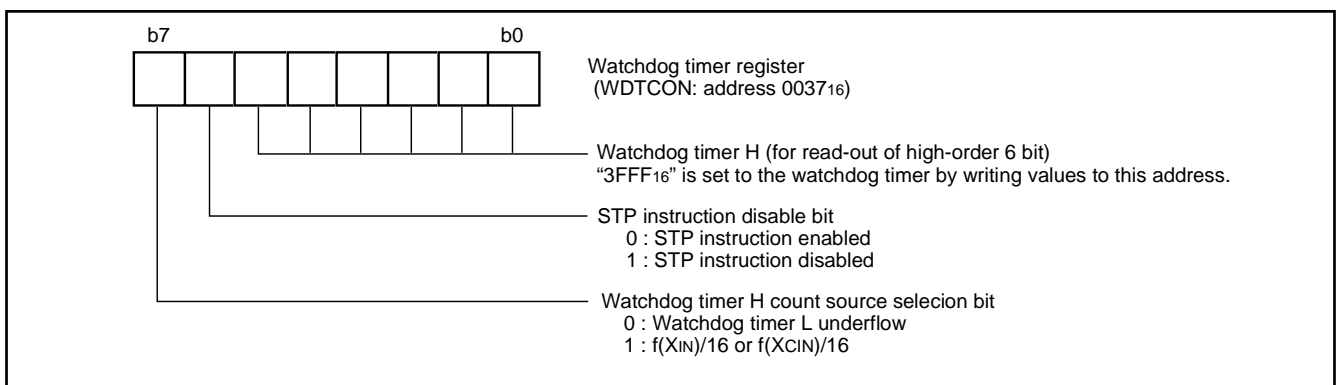


Fig. 53 Structure of watchdog timer control register

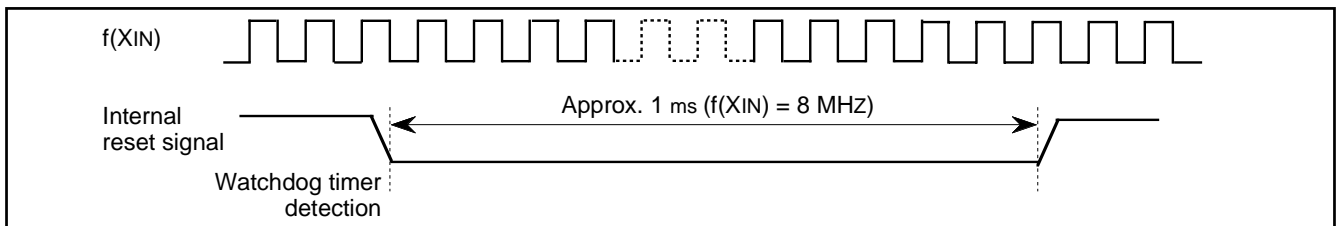


Fig. 54 Timing of reset output

TOUT/ ϕ OUTPUT FUNCTION

The system clock ϕ or timer 2 divided by 2 (TOUT output) can be output from port P43 by setting the TOUT/ ϕ output enable bit of the timer 123 mode register and the TOUT/ ϕ output control register. Set the P43/ ϕ /TOUT pin to output mode (set "1" to bit 3 of port P4 direction register) when outputting TOUT/ ϕ .

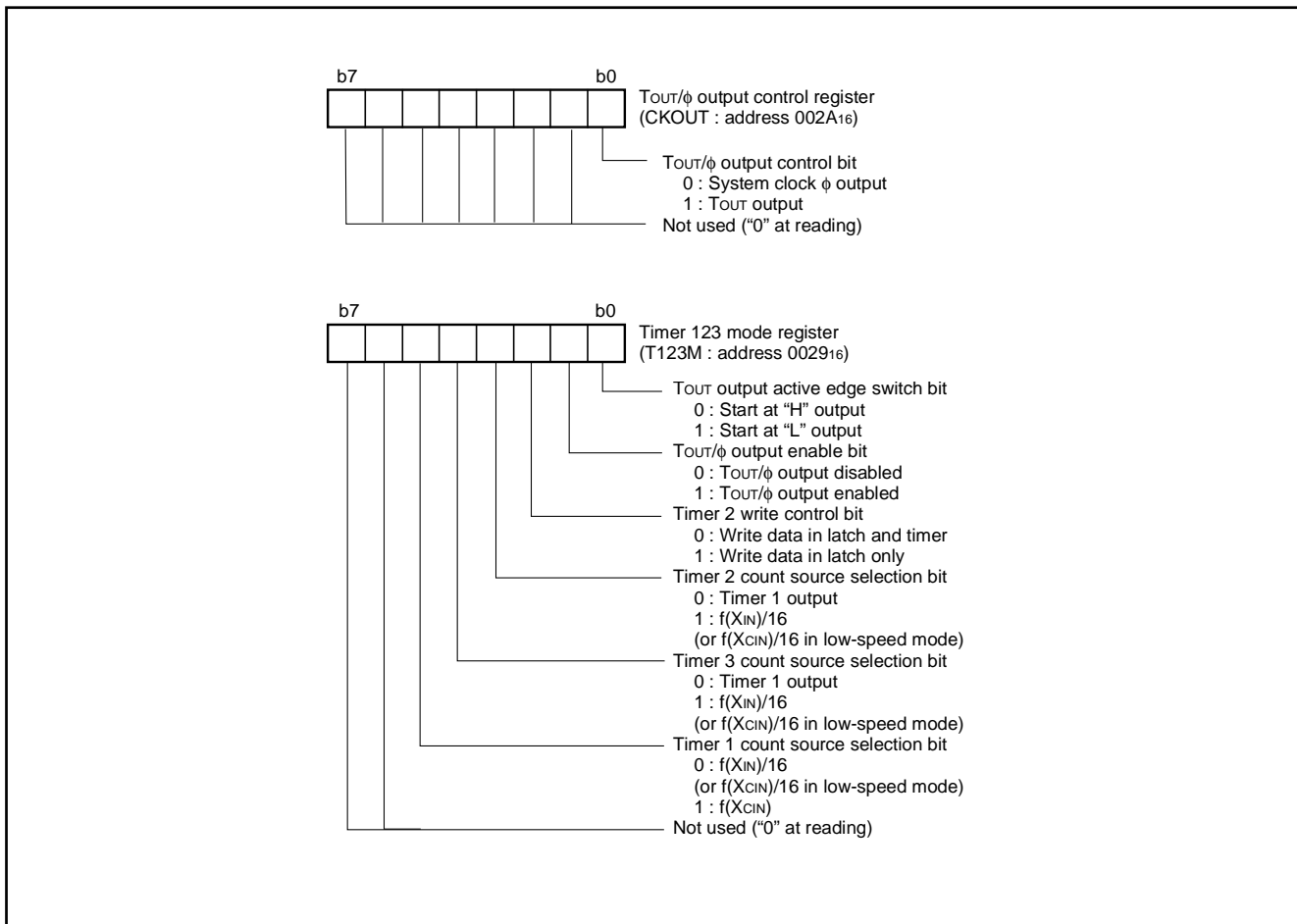


Fig. 55 Structure of TOUT/ ϕ output-related registers

RESET CIRCUIT

When the power source voltage is within limits, and main clock XIN-XOUT is stable, or a stabilized clock is input to the XIN pin, if the $\overline{\text{RESET}}$ pin is held at an "L" level for 2 μs or more, the micro-computer is in an internal reset state. Then the $\overline{\text{RESET}}$ pin is returned to an "H" level, reset is released after approximate 8200 cycles of $f(\text{XIN})$, the program in address FFFD₁₆ (high-order byte)

and address FFFC₁₆ (low-order byte). Make sure that the reset input voltage is less than 0.2 V_{CC(min.)} for the power source voltage of V_{CC(min.)}.

*V_{CC(min.)} = Minimum value of power supply voltage limits applied to V_{CC} pin

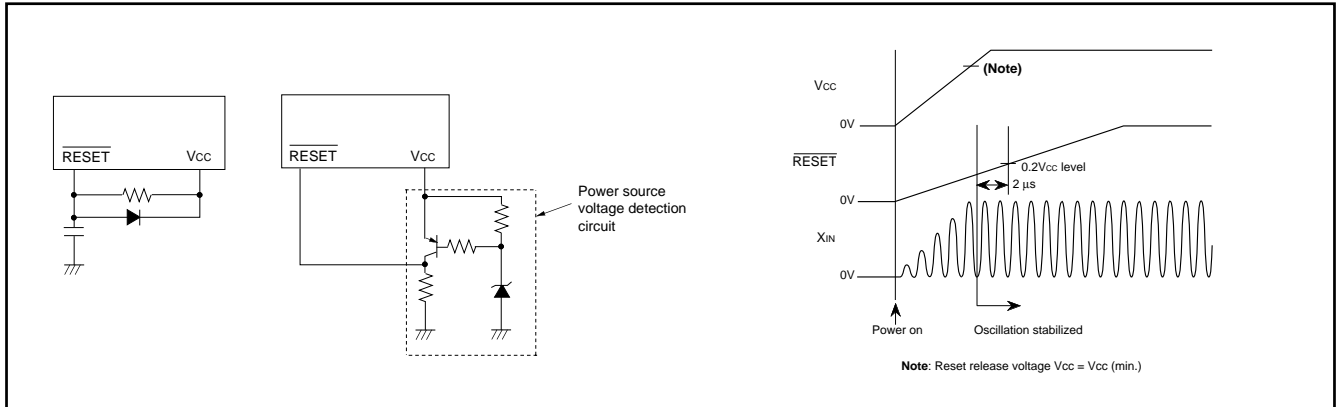


Fig. 56 Example of reset circuit

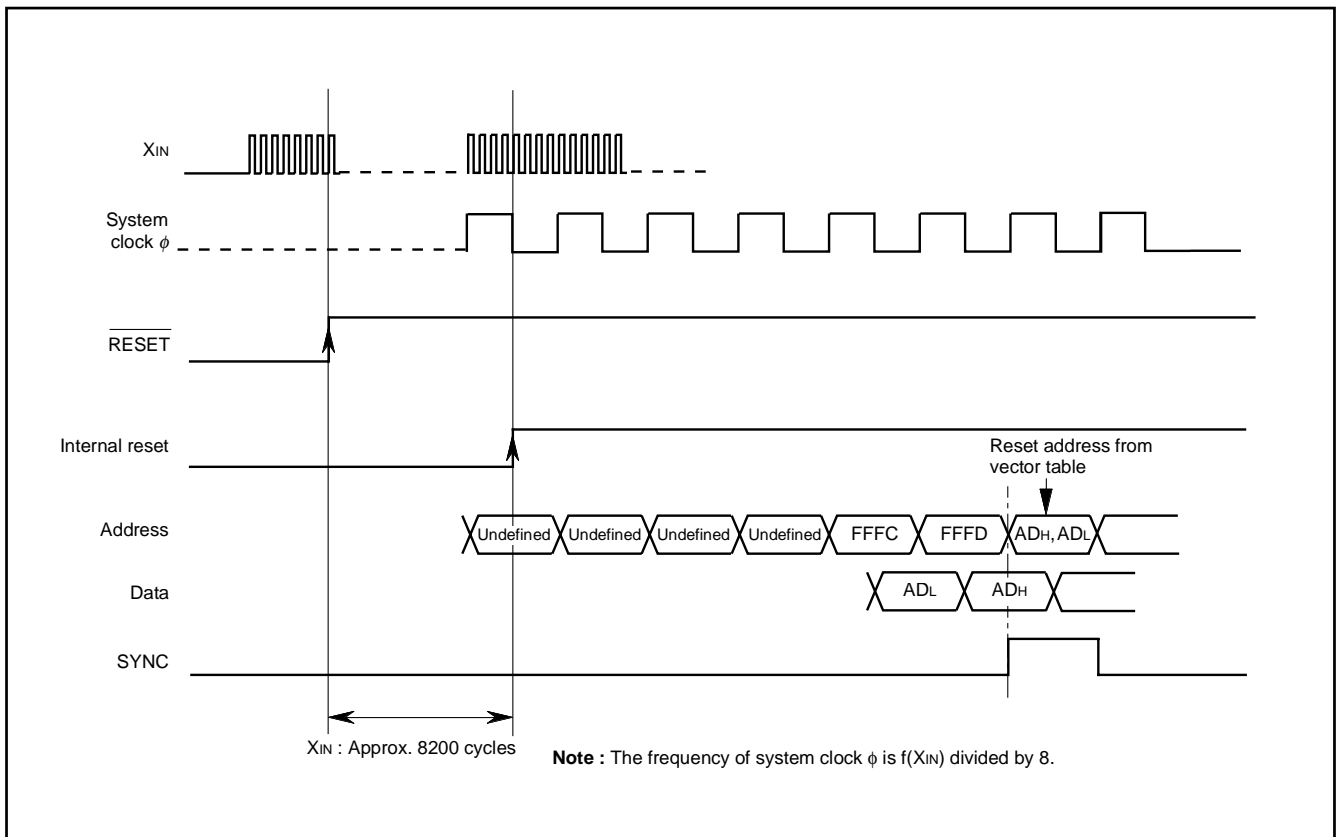


Fig. 57 Reset Sequence

	Address	Register contents		Address	Register contents
(1) Port P0 direction register	0001 ₁₆	00 ₁₆	(29) CTCSS timer (low-order)	002E ₁₆	06 ₁₆
(2) Port P1 direction register	0003 ₁₆	00 ₁₆	(30) CTCSS timer (high-order)	002F ₁₆	00 ₁₆
(3) Port P2 direction register	0005 ₁₆	00 ₁₆	(31) DTMF high group timer	0030 ₁₆	06 ₁₆
(4) Port P3 output control register	0007 ₁₆	00 ₁₆	(32) DTMF low group timer	0031 ₁₆	06 ₁₆
(5) Port P4 direction register	0009 ₁₆	00 ₁₆	(33) DA1 conversion register	0032 ₁₆	00 ₁₆
(6) Port P5 direction register	000B ₁₆	00 ₁₆	(34) DA2 conversion register	0033 ₁₆	00 ₁₆
(7) Port P6 direction register	000D ₁₆	00 ₁₆	(35) AD control register	0034 ₁₆	0 0 0 0 1 0 0 0
(8) Port P7 direction register	000F ₁₆	00 ₁₆	(36) DA control register	0036 ₁₆	00 ₁₆
(9) AD conversion low-order register	0014 ₁₆	X X 0 0 0 0 0 1	(37) Watchdog timer control register	0037 ₁₆	0 0 1 1 1 1 1 1
(10) Key input control register	0015 ₁₆	00 ₁₆	(38) Segment output enable register	0038 ₁₆	00 ₁₆
(11) PULL register A	0016 ₁₆	3F ₁₆	(39) LCD mode register	0039 ₁₆	00 ₁₆
(12) PULL register B	0017 ₁₆	00 ₁₆	(40) Interrupt edge selection register	003A ₁₆	00 ₁₆
(13) Serial I/O1 status register	0019 ₁₆	1 0 0 0 0 0 0 0	(41) CPU mode register	003B ₁₆	0 1 0 0 1 0 0 0
(14) Serial I/O1 control register	001A ₁₆	00 ₁₆	(42) Interrupt request register 1	003C ₁₆	00 ₁₆
(15) UART control register	001B ₁₆	1 1 1 0 0 0 0 0	(43) Interrupt request register 2	003D ₁₆	00 ₁₆
(16) Serial I/O2 control register	001D ₁₆	00 ₁₆	(44) Interrupt control register 1	003E ₁₆	00 ₁₆
(17) Timer X low-order register	0020 ₁₆	FF ₁₆	(45) Interrupt control register 2	003F ₁₆	00 ₁₆
(18) Timer X high-order register	0021 ₁₆	FF ₁₆	(46) Processor status register	(PS)	X X X X X 1 X X
(19) Timer Y low-order register	0022 ₁₆	FF ₁₆	(47) Program counter	(PC _H)	Contents of address FFFD ₁₆
(20) Timer Y high-order register	0023 ₁₆	FF ₁₆		(PC _L)	Contents of address FFFC ₁₆
(21) Timer 1 register	0024 ₁₆	FF ₁₆	(48) Watchdog timer (high-order)		3F ₁₆
(22) Timer 2 register	0025 ₁₆	01 ₁₆	(49) Watchdog timer (low-order)		FF ₁₆
(23) Timer 3 register	0026 ₁₆	FF ₁₆			
(24) Timer X mode register	0027 ₁₆	00 ₁₆			
(25) Timer Y mode register	0028 ₁₆	00 ₁₆			
(26) Timer 123 mode register	0029 ₁₆	00 ₁₆			
(27) T _{OUT} /φ output control register	002A ₁₆	00 ₁₆			
(28) PWM control register	002B ₁₆	00 ₁₆			

Note: The contents of all other registers and RAM are undefined after reset, so they must be initialized by software.
 X : Undefined

Fig. 58 Internal state of microcomputer immediately after reset

CLOCK GENERATING CIRCUIT

The 3826 group has two built-in oscillation circuits: main clock XIN-XOUT oscillation circuit and sub-clock XCIN-XCOUT oscillation circuit. An oscillation circuit can be formed by connecting an oscillator between XIN and XOUT (XCIN and XCOUT). Use the circuit constants in accordance with the oscillator manufacturer's recommended values. A feed-back resistor exists on-chip (An external feed-back resistor may be needed depending on conditions.). However, an external feed-back resistor is needed between XCIN and XCOUT since a resistor does not exist between them.

To supply a clock signal externally, input it to the XIN pin and make the XOUT pin open. The sub-clock oscillation circuit cannot directly input clocks that are externally generated. Accordingly, be sure to cause an external oscillator to oscillate.

Immediately after poweron, only the XIN oscillation circuit starts oscillating, and XCIN and XCOUT pins go to high-impedance state.

Frequency Control

(1) Middle-speed mode

The clock input to the XIN pin is divided by 8 and it is used as the system clock ϕ .

After reset, this mode is selected.

(2) High-speed mode

The clock input to the XIN pin is divided by 2 and it is used as the system clock ϕ .

(3) Low-speed mode

- The clock input to the XCIN pin is divided by 2 and it is used as the system clock ϕ .

- A low-power consumption operation can be realized by stopping the main clock in this mode. To stop the main clock, set the main clock stop bit of the CPU mode register to "1".

When the main clock is restarted, after setting the main clock stop bit to "0", set enough time for oscillation to stabilize by program.

Note: If you switch the mode between middle/high-speed and low-speed, stabilize both XIN and XCIN oscillations. The sufficient time is required for the sub clock to stabilize, especially immediately after poweron and at returning from stop mode. When switching the mode between middle/high-speed and low-speed, set the frequency in the condition that $f(XIN) > 3 \cdot f(XCIN)$.

Oscillation Control

(1) Stop mode

If the STP instruction is executed, the system clock ϕ stops at an "H" level, and main and sub clock oscillators stop.

In this time, values set previously to timer 1 latch and timer 2 latch are loaded automatically to timer 1 and timer 2. Before the STP instruction, set the values to generate the wait time required for oscillation stabilization to timer 1 latch and timer 2 latch (low-order 8 bits are set to timer 1, high-order 8 bits are set to timer 2). Either $f(XIN)$ or $f(XCIN)$ divided by 16 is input to timer 1 as count source, and the output of timer 1 is connected to timer 2.

The bits of the timer 123 mode register except bit 4 are set to "0". Set the timer 1 and timer 2 interrupt enable bits to "0" before executing the STP instruction.

Oscillation restarts at reset or when an external interrupt is received, but the system clock ϕ is not supplied to the CPU until timer 2 underflows. This allows time for the clock circuit oscillation to stabilize when a ceramic resonator is used.

(2) Wait mode

If the WIT instruction is executed, only the system clock ϕ stops at an "H" state. The states of main clock and sub clock are the same as the state before the executing the WIT instruction, and oscillation does not stop. Since supply of internal clock ϕ is started immediately after the interrupt is received, the instruction can be executed immediately.

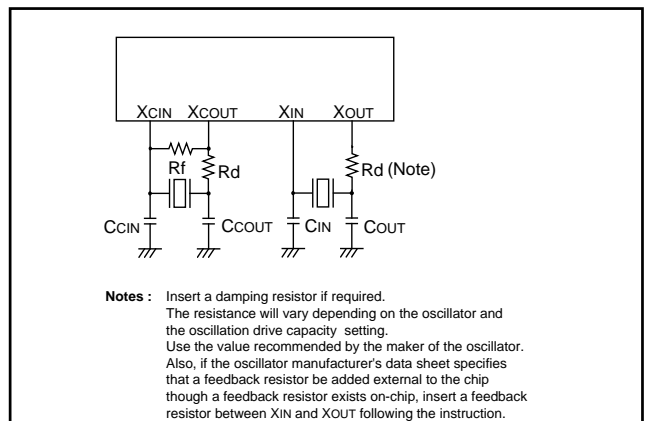


Fig. 59 Oscillator circuit

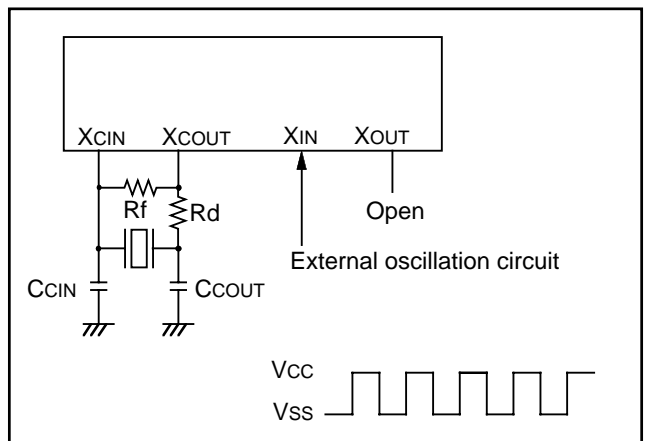
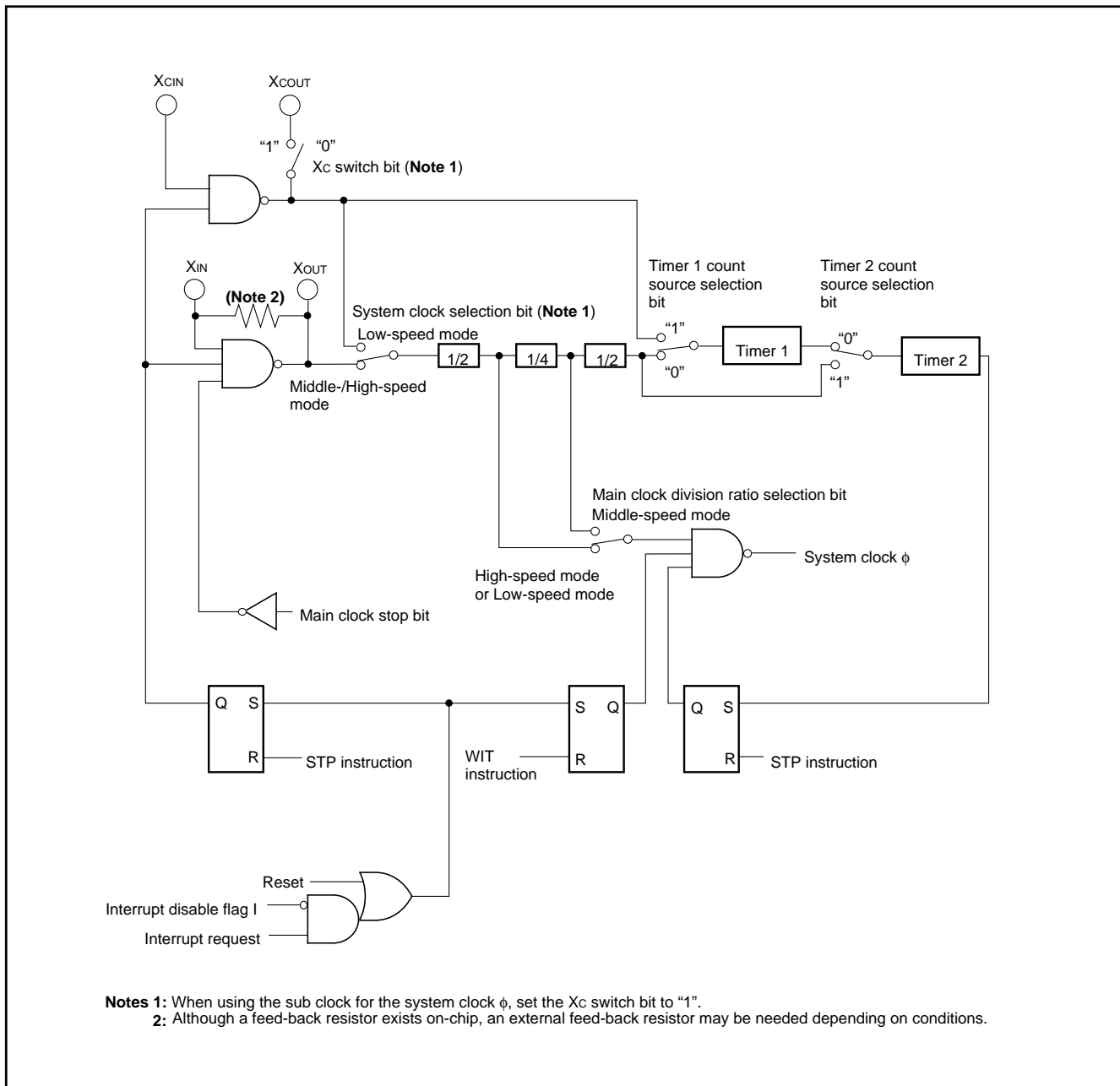


Fig. 60 External clock input circuit



Notes 1: When using the sub clock for the system clock ϕ , set the Xc switch bit to "1".
2: Although a feed-back resistor exists on-chip, an external feed-back resistor may be needed depending on conditions.

Fig. 61 Clock generating circuit block diagram

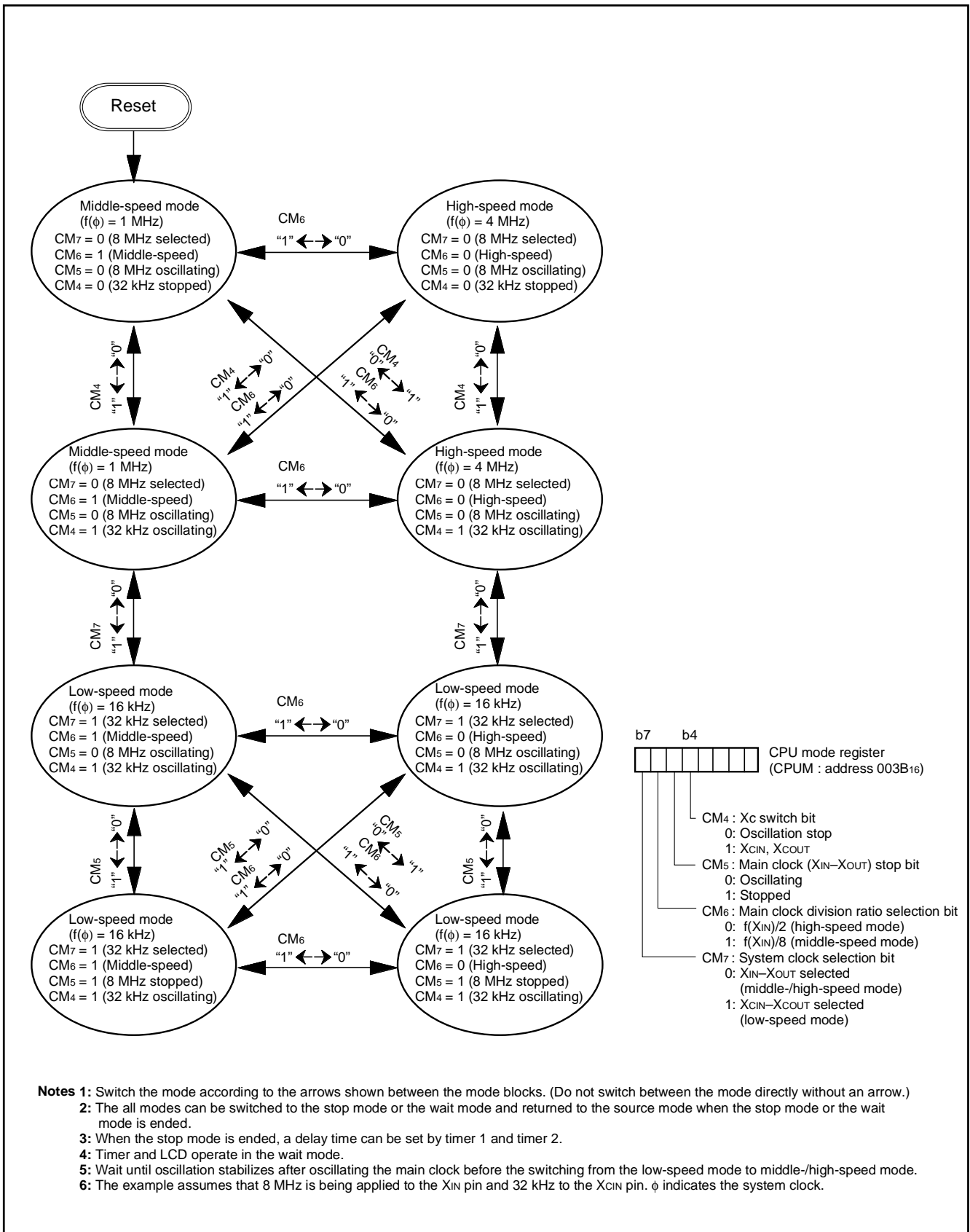


Fig. 62 State transitions of system clock

NOTES ON PROGRAMMING

Processor Status Register

The contents of the processor status register (PS) after a reset are undefined, except for the interrupt disable flag (I) which is "1". After a reset, initialize flags (T flag, D flag, etc.) which affect program execution.

Interrupt

When the contents of an interrupt request bits are changed by the program, execute a BBC or BBS instruction after at least one instruction. This is for preventing executing a BBC or BBS instruction to the contents before change.

Decimal Calculations

To calculate in decimal notation, set the decimal mode flag (D) to "1", then execute an ADC or SBC instruction. After executing an ADC or SBC instruction, execute at least one instruction before executing a SEC, CLC, or CLD instruction.

In decimal mode, the values of the negative (N), overflow (V), and zero (Z) flags are invalid.

Multiplication and Division Instructions

The index mode (T) and the decimal mode (D) flags do not affect the MUL and DIV instruction.

The execution of these instructions does not change the contents of the processor status register.

Ports

Use instructions such as LDM and STA, etc., to set the port direction registers.

The contents of the port direction registers cannot be read.

The following cannot be used:

- LDA instruction
- The memory operation instruction when the T flag is "1"
- The bit-test instruction (BBC or BBS, etc.)
- The read-modify-write instruction (calculation instruction such as ROR etc., bit manipulation instruction such as CLB or SEB etc.)
- The addressing mode which uses the value of a direction register as an index

Serial I/O

In clock synchronous serial I/O, if the receive side is using an external clock and it is to output the $\overline{\text{SRDY}}$ signal, set the transmit enable bit, the receive enable bit, and the $\overline{\text{SRDY}}$ output enable bit to "1".

The TxD pin of serial I/O1 retains the level then after transmission is completed.

In serial I/O2 selecting an internal clock, the SOUT2 pin goes to high impedance state after transmission is completed.

In serial I/O2 selecting an external clock, the SOUT2 pin retains the level then after transmission is completed.

A/D Converter

The input to the comparator is combined by internal capacitors. Therefore, since conversion accuracy may be worse by losing of an electric charge when the conversion speed is not enough, make sure that $f(\text{XIN})$ is at least 500 kHz during an A/D conversion.

The normal operation of A/D conversion cannot be guaranteed when performing the next operation:

- When writing to CPU mode register during A/D conversion operation
- When writing to AD control register during A/D conversion operation
- When executing STP instruction or WIT instruction during A/D conversion operation

Instruction Execution Time

The instruction execution time is obtained by multiplying the frequency of the system clock ϕ by the number of cycles needed to execute an instruction.

The number of cycles required to execute an instruction is shown in the list of machine instructions.

The frequency of the system clock ϕ depends on the main clock division ratio selection bit and the system clock selection bit.

NOTES ON USE
Countermeasures Against Noise

(1) Shortest wiring length

① Wiring for $\overline{\text{RESET}}$ pin

Make the length of wiring which is connected to the $\overline{\text{RESET}}$ pin as short as possible. Especially, connect a capacitor across the $\overline{\text{RESET}}$ pin and the Vss pin with the shortest possible wiring (within 20 mm).

● Reason

The width of a pulse input into the $\overline{\text{RESET}}$ pin is determined by the timing necessary conditions. If noise having a shorter pulse width than the standard is input to the $\overline{\text{RESET}}$ pin, the reset is released before the internal state of the microcomputer is completely initialized. This may cause a program runaway.

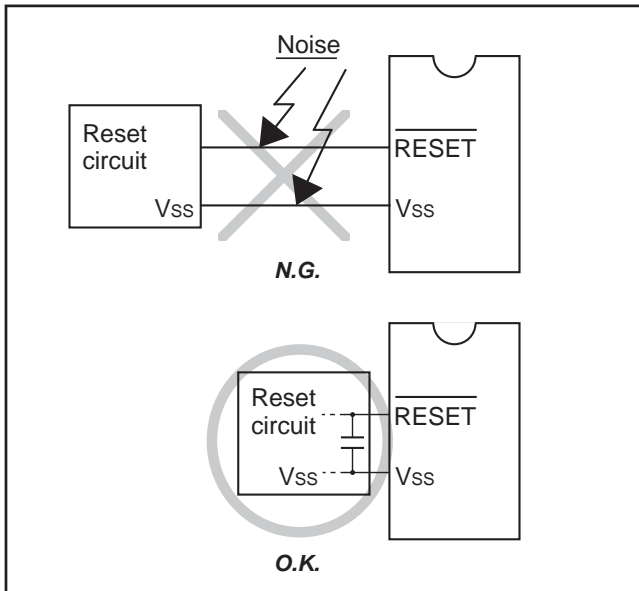


Fig. 63 Wiring for the $\overline{\text{RESET}}$ pin

② Wiring for clock input/output pins

- Make the length of wiring which is connected to clock I/O pins as short as possible.
- Make the length of wiring (within 20 mm) across the grounding lead of a capacitor which is connected to an oscillator and the Vss pin of a microcomputer as short as possible.
- Separate the Vss pattern only for oscillation from other Vss patterns.

● Reason

If noise enters clock I/O pins, clock waveforms may be deformed. This may cause a program failure or program runaway. Also, if a potential difference is caused by the noise between the Vss level of a microcomputer and the Vss level of an oscillator, the correct clock will not be input in the microcomputer.

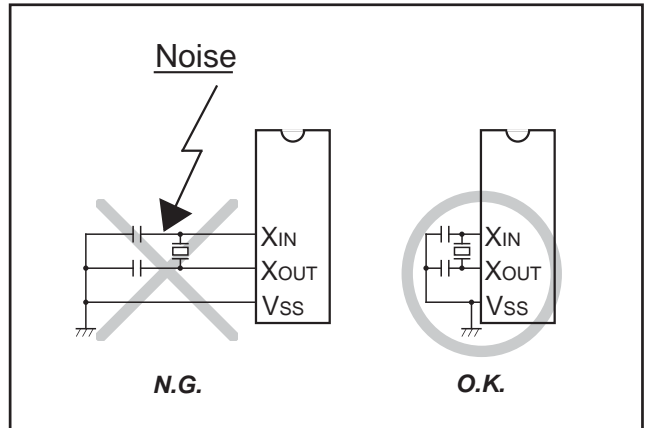


Fig. 64 Wiring for clock I/O pins

(2) Connection of bypass capacitor across Vss line and Vcc line
 In order to stabilize the system operation and avoid the latch-up, connect an approximately 0.1 μF bypass capacitor across the Vss line and the Vcc line as follows:

- Connect a bypass capacitor across the Vss pin and the Vcc pin at equal length.
- Connect a bypass capacitor across the Vss pin and the Vcc pin with the shortest possible wiring.
- Use lines with a larger diameter than other signal lines for Vss line and Vcc line.
- Connect the power source wiring via a bypass capacitor to the Vss pin and the Vcc pin.

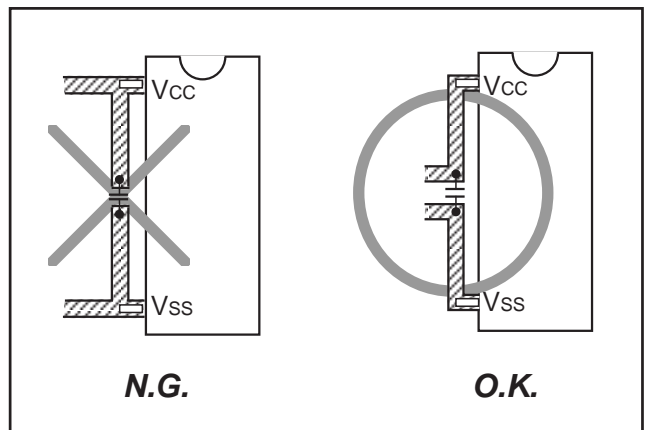


Fig. 65 Bypass capacitor across the Vss line and the Vcc line

(3) Oscillator concerns

In order to obtain the stabilized operation clock on the user system and its condition, contact the oscillator manufacturer and select the oscillator and oscillation circuit constants. Be careful especially when range of voltage or/and temperature is wide.

Also, take care to prevent an oscillator that generates clocks for a microcomputer operation from being affected by other signals.

① Keeping oscillator away from large current signal lines

Install a microcomputer (and especially an oscillator) as far as possible from signal lines where a current larger than the tolerance of current value flows.

● Reason

In the system using a microcomputer, there are signal lines for controlling motors, LEDs, and thermal heads or others. When a large current flows through those signal lines, strong noise occurs because of mutual inductance.

② Installing oscillator away from signal lines where potential levels change frequently

Install an oscillator and a connecting pattern of an oscillator away from signal lines where potential levels change frequently. Also, do not cross such signal lines over the clock lines or the signal lines which are sensitive to noise.

● Reason

Signal lines where potential levels change frequently (such as the CNTR pin signal line) may affect other lines at signal rising edge or falling edge. If such lines cross over a clock line, clock waveforms may be deformed, which causes a microcomputer failure or a program runaway.

(4) Analog input

The analog input pin is connected to the capacitor of a comparator. Accordingly, sufficient accuracy may not be obtained by the charge/discharge current at the time of A/D conversion when the analog signal source of high-impedance is connected to an analog input pin. In order to obtain the A/D conversion result stabilized more, please lower the impedance of an analog signal source, or add the smoothing capacitor to an analog input pin.

(5) Difference of memory type and size

When Mask ROM and PROM version and memory size differ in one group, actual values such as an electrical characteristics, A/D conversion accuracy, and the amount of proof of noise incorrect operation may differ from the ideal values.

When these products are used switching, perform system evaluation for each product of every after confirming product specification.

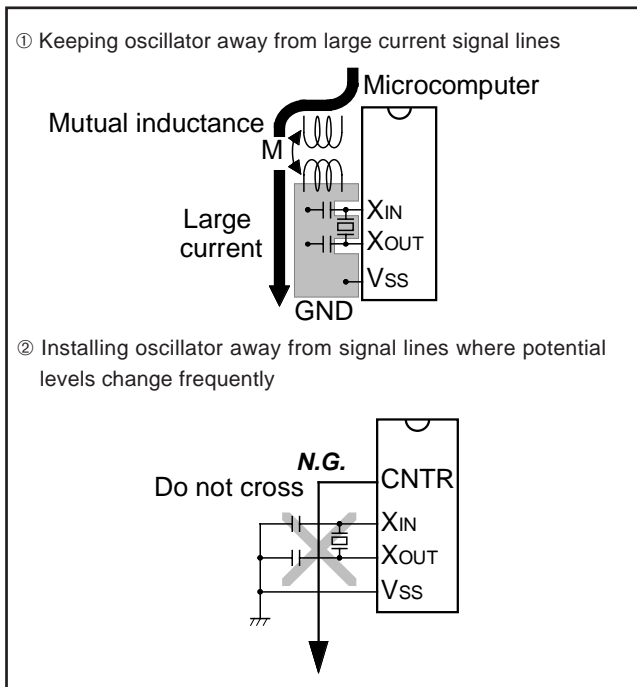


Fig. 66 Wiring for a large current signal line/Wiring of signal lines where potential levels change frequently

NOTES ON USE

Power Source Voltage

When the power source voltage value of a microcomputer is less than the value which is indicated as the recommended operating conditions, the microcomputer does not operate normally and may perform unstable operation.

In a system where the power source voltage drops slowly when the power source voltage drops or the power supply is turned off, reset a microcomputer when the power source voltage is less than the recommended operating conditions and design a system not to cause errors to the system by this unstable operation.

ROM ORDERING METHOD

- 1.Mask ROM Order Confirmation Form
 - 2.Mark Specification Form
 - 3.Data to be written to ROM, in EPROM form (three identical copies) or one floppy disk.
- For the mask ROM confirmation and the mark specifications, refer to the "Renesas Technology Corp." Homepage (<http://www.renesas.com/en/rom>)

ELECTRICAL CHARACTERISTICS

ABSOLUTE MAXIMUM RATINGS

Table 12 Absolute maximum ratings

Symbol	Parameter	Conditions	Ratings	Unit	
VCC	Power source voltage		-0.3 to 6.5	V	
Vi	Input voltage P00–P07, P10–P17, P20–P27, P40–P47, P50–P57, P60–P67	All voltages are based on VSS. When an input voltage is measured, output transistors are cut off.	-0.3 to VCC +0.3	V	
Vi	Input voltage P70–P77		-0.3 to VCC +0.3	V	
Vi	Input voltage VL1		-0.3 to VL2	V	
Vi	Input voltage VL2		VL1 to VL3	V	
Vi	Input voltage VL3		VL2 to 6.5	V	
Vi	Input voltage C1, C2		-0.3 to 6.5	V	
Vi	Input voltage RESET, XIN		-0.3 to VCC +0.3	V	
Vo	Output voltage C1, C2		-0.3 to 6.5	V	
Vo	Output voltage P00–P07, P10–P15, P30–P37		At output port	-0.3 to VCC	V
			At segment output	-0.3 to VL3	V
Vo	Output voltage P16, P17, P20–P27, P40–P47, P50–P57, P60–P67, P71–P77		-0.3 to VCC +0.3	V	
Vo	Output voltage VL3		-0.3 to 6.5	V	
Vo	Output voltage VL2, SEG0–SEG17		-0.3 to VL3	V	
Vo	Output voltage XOUT		-0.3 to VCC +0.3	V	
Pd	Power dissipation	Ta = 25°C	300	mW	
Topr	Operating temperature		-20 to 85	°C	
Tstg	Storage temperature		-40 to 125	°C	

RECOMMENDED OPERATING CONDITIONS

Table 13 Recommended operating conditions (1) (VCC = 1.8 to 5.5 V, Ta = -20 to 85°C, unless otherwise noted)

Symbol	Parameter		Limits			Unit	
			Min.	Typ.	Max.		
VCC	Power source voltage (Note 1)	High-speed mode	f(XIN) = 10 MHz	4.5	5.0	5.5	V
			f(XIN) = 8 MHz	4.0	5.0	5.5	V
			f(XIN) = 6 MHz	3.0	5.0	5.5	V
			f(XIN) = 4 MHz	2.0	5.0	5.5	V
		Middle-speed mode	f(XIN) = 10 MHz	3.0	5.0	5.5	V
			f(XIN) = 8 MHz	2.0	5.0	5.5	V
			f(XIN) = 6 MHz	1.8	5.0	5.5	V
Low-speed mode		1.8	5.0	5.5	V		
	At start oscillating (Note 2)		0.15 X f+1.3			V	
VSS	Power source voltage			0		V	
VLI	Power source voltage	At using voltage multiplier	1.3	1.8	2.1	V	
VREF	A/D, D/A conversion reference voltage		2.0		VCC	V	
AVSS	Analog power source voltage			0		V	
VIA	Analog input voltage AN0–AN7		AVSS		VCC	V	

Notes 1: When using the A/D or D/A converter, refer to "A/D Converter Characteristics" or "D/A Converter characteristics".

2: The oscillation start voltage and the oscillation start time differ in accordance with an oscillator, a circuit constant, or temperature, etc. When power suppl voltage is low and high frequency oscillator is used, an oscillation start will require sufficient conditions.

f: This is an oscillator's oscillation frequency. For example, when oscillation frequency is 8 MHz, substitute "8".

Table 14 Recommended operating conditions (2) (Vcc = 1.8 to 5.5 V, Ta = -20 to 85°C, unless otherwise noted)

Symbol	Parameter		Limits			Unit
			Min.	Typ.	Max.	
V _{IH}	"H" input voltage	P00–P07, P10–P17, P40, P43, P45, P47, P50–P53, P56, P61, P64–P67, P71–P77	0.7 V _{CC}		V _{CC}	V
V _{IH}	"H" input voltage	P20–P27, P41, P42, P44, P46, P54, P55, P57, P60, P62, P63, P70	0.8 V _{CC}		V _{CC}	V
V _{IH}	"H" input voltage	RESET	0.8 V _{CC}		V _{CC}	V
V _{IH}	"H" input voltage	X _{IN}	0.8 V _{CC}		V _{CC}	V
V _{IL}	"L" input voltage	P00–P07, P10–P17, P40, P43, P45, P47, P50–P53, P56, P61, P64–P67, P71–P77	0		0.3 V _{CC}	V
V _{IL}	"L" input voltage	P20–P27, P41, P42, P44, P46, P54, P55, P57, P60, P62, P63, P70	0		0.2 V _{CC}	V
V _{IL}	"L" input voltage	RESET	0		0.2 V _{CC}	V
V _{IL}	"L" input voltage	X _{IN}	0		0.2 V _{CC}	V

Table 15 Recommended operating conditions (3) (Vcc = 1.8 to 5.5 V, Ta = -20 to 85°C, unless otherwise noted)

Symbol	Parameter		Limits			Unit
			Min.	Typ.	Max.	
ΣIOH(peak)	"H" total peak output current	P00–P07, P10–P17, P20–P27, P30–P37 (Note 1)			-20	mA
ΣIOH(peak)	"H" total peak output current	P41–P47, P50–P57, P60–P67 (Note 1)			-20	mA
ΣIOL(peak)	"L" total peak output current	P00–P07, P10–P17, P20–P27, P30–P37 (Note 1)			20	mA
ΣIOL(peak)	"L" total peak output current	P41–P47, P50–P57, P60–P67 (Note 1)			20	mA
ΣIOL(peak)	"L" total peak output current	P40, P71–P77 (Note 1)			80	mA
ΣIOH(avg)	"H" total average output current	P00–P07, P10–P17, P20–P27, P30–P37 (Note 1)			-10	mA
ΣIOH(avg)	"H" total average output current	P41–P47, P50–P57, P60–P67 (Note 1)			-10	mA
ΣIOL(avg)	"L" total average output current	P00–P07, P10–P17, P20–P27, P30–P37 (Note 1)			10	mA
ΣIOL(avg)	"L" total average output current	P41–P47, P50–P57, P60–P67 (Note 1)			10	mA
ΣIOL(avg)	"L" total average output current	P40, P71–P77 (Note 1)			40	mA
IOH(peak)	"H" peak output current	P00–P07, P10–P15, P30–P37 (Note 2)			-1.0	mA
IOH(peak)	"H" peak output current	P16, P17, P20–P27, P41–P47, P50–P57, P60–P67 (Note 2)			-5.0	mA
IOL(peak)	"L" peak output current	P00–P07, P10–P15, P30–P37 (Note 2)			5.0	mA
IOL(peak)	"L" peak output current	P16, P17, P20–P27, P41–P47, P50–P57, P60–P67 (Note 2)			10	mA
IOL(peak)	"L" peak output current	P40, P71–P77 (Note 2)			20	mA
IOH(avg)	"H" average output current	P00–P07, P10–P15, P30–P37 (Note 3)			-0.5	mA
IOH(avg)	"H" average output current	P16, P17, P20–P27, P41–P47, P50–P57, P60–P67 (Note 3)			-2.5	mA
IOL(avg)	"L" average output current	P00–P07, P10–P15, P30–P37 (Note 3)			2.5	mA
IOL(avg)	"L" average output current	P16, P17, P20–P27, P41–P47, P50–P57, P60–P67 (Note 3)			5.0	mA
IOL(avg)	"L" average output current	P40, P71–P77 (Note 3)			10	mA

Notes1: The total output current is the sum of all the currents flowing through all the applicable ports. The total average current is an average value measured over 100 ms. The total peak current is the peak value of all the currents.

2: The peak output current is the peak current flowing in each port.

3: The average output current is an average value measured over 100 ms.

Table 16 Recommended operating conditions (4) ($V_{CC} = 1.8$ to 5.5 V, $T_a = -20$ to 85°C , unless otherwise noted)

Symbol	Parameter	Test conditions	Limits			Unit
			Min.	Typ.	Max.	
f(CNTR0) f(CNTR1)	Input frequency for timers X and Y (duty cycle 50%)	($4.5 \text{ V} \leq V_{CC} \leq 5.5 \text{ V}$)			5.0	MHz
		($4.0 \text{ V} \leq V_{CC} < 4.5 \text{ V}$)			$2 \times V_{CC} - 4$	MHz
		($2.0 \text{ V} \leq V_{CC} < 4.0 \text{ V}$)			V_{CC}	MHz
		($V_{CC} < 2.0 \text{ V}$)			$5 \times V_{CC} - 8$	MHz
f(XIN)	Main clock input oscillation frequency (Note 1)	High-speed mode ($4.5 \text{ V} \leq V_{CC} \leq 5.5 \text{ V}$)			10.0	MHz
		High-speed mode ($4.0 \text{ V} \leq V_{CC} < 4.5 \text{ V}$)			$4 \times V_{CC} - 8$	MHz
		High-speed mode ($2.0 \text{ V} \leq V_{CC} < 4.0 \text{ V}$)			$2 \times V_{CC}$	MHz
		Middle-speed mode (Note 3) ($3.0 \text{ V} \leq V_{CC} \leq 5.5 \text{ V}$)			10.0	MHz
		Middle-speed mode (Note 3) ($2.0 \text{ V} \leq V_{CC} \leq 5.5 \text{ V}$)			8.0	MHz
		Middle-speed mode (Note 3)			6.0	MHz
f(XCIN)	Sub-clock input oscillation frequency (At duty 50 %) (Notes 2, 3)		32.768	50	kHz	

Notes 1: When using the A/D or D/A converter, refer to "A/D Converter Characteristics" or "D/A Converter characteristics".

2: When using the microcomputer in low-speed mode, set the clock input oscillation frequency on condition that $f(XCIN) < f(XIN)/3$.

3: The oscillation start voltage and the oscillation start time differ in accordance with an oscillator, a circuit constant, or temperature, etc. When power supply voltage is low and high frequency oscillator is used, an oscillation start will require sufficient conditions.

Table 17 Electrical characteristics (1) (V_{CC} = 4.0 to 5.5 V, T_a = -20 to 85°C, unless otherwise noted)

Symbol	Parameter	Test conditions	Limits			Unit
			Min.	Typ.	Max.	
V _{OH}	"H" output voltage P00-P07, P10-P15, P30-P37	I _{OH} = -1 mA	V _{CC} -2.0			V
		I _{OH} = -0.25 mA V _{CC} = 2.2 V	V _{CC} -0.8			V
V _{OH}	"H" output voltage P16, P17, P20-P27, P41-P47, P50-P57, P60-P67	I _{OH} = -5 mA	V _{CC} -2.0			V
		I _{OH} = -1.5 mA	V _{CC} -0.5			V
		I _{OH} = -1.25 mA V _{CC} = 2.2 V	V _{CC} -0.8			V
V _{OL}	"L" output voltage P00-P07, P10-P15, P30-P37	I _{OL} = 5 mA			2.0	V
		I _{OL} = 1.5 mA			0.5	V
		I _{OL} = 1.25 mA V _{CC} = 2.2 V			0.8	V
		I _{OL} = 10 mA			2.0	V
V _{OL}	"L" output voltage P16, P17, P20-P27, P41-P47, P50-P57, P60-P67	I _{OL} = 3.0 mA			0.5	V
		I _{OL} = 2.5 mA V _{CC} = 2.2 V			0.8	V
		I _{OL} = 10 mA			0.5	V
V _{OL}	"L" output voltage P40, P71-P77	I _{OL} = 5 mA V _{CC} = 2.2 V			0.3	V
					0.5	V
V _{T+} - V _{T-}	Hysteresis INT0-INT2, ADT, CNTR0, CNTR1, P20-P27		0.5			V
V _{T+} - V _{T-}	Hysteresis <u>SCLK, RXD, SIN2</u>		0.5			V
V _{T+} - V _{T-}	Hysteresis <u>RESET</u>	V _{CC} = 2.0 V to 5.0 V		0.5		V
I _{IH}	"H" input current P00-P07, P10-P17, P20-P27, P40-P47, P50-P57, P60-P67, P70-P77	V _I = V _{CC}			5.0	μA
I _{IH}	"H" input current <u>RESET</u>	V _I = V _{CC}			5.0	μA
I _{IH}	"H" input current <u>XIN</u>	V _I = V _{CC}		4.0		μA
I _{IL}	"L" input current P00-P07, P10-P17, P20-P27, P41-P47, P50-P57, P60-P67	V _I = V _{SS} Pull-ups "off"			-5.0	μA
		V _{CC} = 5 V, V _I = V _{SS} Pull-ups "on"	-60.0	-120.0	-240.0	μA
		V _{CC} = 2.2 V, V _I = V _{SS} Pull-ups "on"	-5.0	-20.0	-40.0	μA
I _{IL}	"L" input current <u>P40, P70-P77</u>				-5.0	μA
I _{IL}	"L" input current <u>RESET</u>	V _I = V _{SS}			-5.0	μA
I _{IL}	"L" input current <u>XIN</u>	V _I = V _{SS}		-4.0		μA
I _{LOAD}	Output load current P30-P37	V _{CC} = 5.0 V, V _O = V _{CC} , Pullup ON Output transistors "off"	-60.0	-120.0	-240.0	μA
		V _{CC} = 2.2 V, V _O = V _{CC} , Pullup ON Output transistors "off"	-5.0	-20.0	-40.0	μA
I _{LEAK}	Output leak current P30-P37	V _O = V _{CC} , Pullup OFF Output transistors "off"			5.0	μA
		V _O = V _{SS} , Pullup OFF Output transistors "off"			-5.0	μA

Table 18 Electrical characteristics (2) (V_{CC} = 1.8 to 5.5 V, Ta = –20 to 85°C, unless otherwise noted)

Symbol	Parameter	Test conditions	Limits			Unit	
			Min.	Typ.	Max.		
VRAM	RAM retention voltage	At clock stop mode	1.8		5.5	V	
I _{CC}	Power source current	<ul style="list-style-type: none"> High-speed mode, V_{CC} = 5 V f(X_{IN}) = 10 MHz f(X_{CIN}) = 32.768 kHz Output transistors “off” A/D converter in operating 		5.5	11.0	mA	
		<ul style="list-style-type: none"> High-speed mode, V_{CC} = 5 V f(X_{IN}) = 8 MHz f(X_{CIN}) = 32.768 kHz Output transistors “off” A/D converter in operating 		4.5	9.0	mA	
		<ul style="list-style-type: none"> High-speed mode, V_{CC} = 5 V f(X_{IN}) = 8 MHz (in WIT state) f(X_{CIN}) = 32.768 kHz Output transistors “off” A/D converter stop 		1.2	2.4	mA	
		<ul style="list-style-type: none"> Low-speed mode, V_{CC} = 5 V, Ta ≤ 55°C f(X_{IN}) = stopped f(X_{CIN}) = 32.768 kHz Output transistors “off” 		15	30	μA	
		<ul style="list-style-type: none"> Low-speed mode, V_{CC} = 5 V, Ta = 25°C f(X_{IN}) = stopped f(X_{CIN}) = 32.768 kHz (in WIT state) Output transistors “off” 		7	14	μA	
		<ul style="list-style-type: none"> Low-speed mode, V_{CC} = 3 V, Ta ≤ 55°C f(X_{IN}) = stopped f(X_{CIN}) = 32.768 kHz Output transistors “off” 		9	18	μA	
		<ul style="list-style-type: none"> Low-speed mode, V_{CC} = 3 V, Ta = 25°C f(X_{IN}) = stopped f(X_{CIN}) = 32.768 kHz (in WIT state) Output transistors “off” 		4.5	9.0	μA	
		All oscillation stopped (in STP state)	Ta = 25 °C		0.1	1.0	μA
		Output transistors “off”	Ta = 85 °C			10	μA
IL1	Power source current (V _{L1}) (Note)	V _{L1} = 1.8 V		4.0		μA	

Note: When the voltage multiplier control bit of the LCD mode register (bit 4 at address 003916) is “1”.

Table 19 A/D converter characteristics (1)

($V_{CC} = 2.7$ to 5.5 V, $V_{SS} = AV_{SS} = 0$ V, $T_a = -20$ to 85°C , $f(X_{IN}) = 500$ kHz to 10 MHz, in middle/high-speed mode unless otherwise noted)
8-bit A/D mode (when conversion mode selection bit (bit 0 of address 001416) is "1")

Symbol	Parameter	Test conditions	Limits			Unit
			Min.	Typ.	Max.	
–	Resolution				8	Bits
–	Absolute accuracy (excluding quantization error)	$V_{CC} = V_{REF} = 2.7$ to 5.5 V			± 2	LSB
t _{CONV}	Conversion time	$f(X_{IN}) = 8$ MHz			12.5 (Note)	μs
RLADDER	Ladder resistor		12	35	100	k Ω
I _{VREF}	Reference power source input current	$V_{REF} = 5$ V	50	150	200	μA
I _{IA}	Analog port input current				5.0	μA

Note: When the internal trigger is used in the middle-speed mode, the max. value of t_{CONV} is 14 μs .

Table 20 A/D converter characteristics (2)

($V_{CC} = 2.7$ to 5.5 V, $V_{SS} = AV_{SS} = 0$ V, $T_a = -20$ to 85°C , $f(X_{IN}) = 500$ kHz to 10 MHz, in middle/high-speed mode unless otherwise noted)
10-bit A/D mode (when conversion mode selection bit (bit 0 of address 001416) is "0")

Symbol	Parameter	Test conditions	Limits			Unit
			Min.	Typ.	Max.	
–	Resolution				10	Bits
–	Absolute accuracy (excluding quantization error)	$V_{CC} = V_{REF} = 2.7$ to 5.5 V			± 4	LSB
t _{CONV}	Conversion time	$f(X_{IN}) = 8$ MHz			15.5 (Note)	μs
RLADDER	Ladder resistor		12	35	100	k Ω
I _{VREF}	Reference power source input current	$V_{REF} = 5$ V	50	150	200	μA
I _{IA}	Analog port input current				5.0	μA

Note: When the internal trigger is used in the middle-speed mode, the max. value of t_{CONV} is 17 μs .

Table 21 D/A converter characteristics

($V_{CC} = 2.7$ to 5.5 V, $V_{CC} = V_{REF}$, $V_{SS} = AV_{SS} = 0$ V, $T_a = -20$ to 85°C , in middle/high-speed mode unless otherwise noted)

Symbol	Parameter	Test conditions	Limits			Unit
			Min.	Typ.	Max.	
–	Resolution				8	Bits
–	Absolute accuracy	$V_{CC} = V_{REF} = 5$ V			1.0	%
		$V_{CC} = V_{REF} = 2.7$ V			2.0	%
t _{su}	Setting time			3	μs	
R _O	Output resistor		1	2.5	4	k Ω
I _{VREF}	Reference power source input current	(Note)			3.2	mA

Note: Using one D/A converter, with the value in the DA conversion register of the other D/A converter being "0016", and excluding currents flowing through the A/D resistance ladder.

Table 22 Timing requirements (1) (Vcc = 4.0 to 5.5 V, Vss = 0 V, Ta = -20 to 85°C, unless otherwise noted)

Symbol	Parameter		Limits			Unit
			Min.	Typ.	Max.	
tw(RESET)	Reset input "L" pulse width		2			μs
tc(XIN)	Main clock input cycle time (XIN input)	(4.5 V ≤ Vcc ≤ 5.5 V)	100			ns
		(4.0 V ≤ Vcc < 4.5 V)	1000/(4XVcc-8)			ns
twH(XIN)	Main clock input "H" pulse width	(4.5 V ≤ Vcc ≤ 5.5 V)	40			ns
		(4.0 V ≤ Vcc < 4.5 V)	45			ns
twL(XIN)	Main clock input "L" pulse width	(4.5 V ≤ Vcc ≤ 5.5 V)	40			ns
		(4.0 V ≤ Vcc < 4.5 V)	45			ns
tc(CNTR)	CNTR0, CNTR1 input cycle time	(4.5 V ≤ Vcc ≤ 5.5 V)	200			ns
		(4.0 V ≤ Vcc < 4.5 V)	1000/(2XVcc-4)			ns
twH(CNTR)	CNTR0, CNTR1 input "H" pulse width	(4.5 V ≤ Vcc ≤ 5.5 V)	85			ns
		(4.0 V ≤ Vcc < 4.5 V)	105			ns
twL(CNTR)	CNTR0, CNTR1 input "L" pulse width	(4.5 V ≤ Vcc ≤ 5.5 V)	85			ns
		(4.0 V ≤ Vcc < 4.5 V)	105			ns
twH(INT)	INT0 to INT3 input "H" pulse width		80			ns
twL(INT)	INT0 to INT3 input "L" pulse width		80			ns
tc(SCLK1)	Serial I/O1 clock input cycle time (Note)		800			ns
twH(SCLK1)	Serial I/O1 clock input "H" pulse width (Note)		370			ns
twL(SCLK1)	Serial I/O1 clock input "L" pulse width (Note)		370			ns
tsu(RxD-SCLK1)	Serial I/O1 input set up time		220			ns
th(SCLK1-RxD)	Serial I/O1 input hold time		100			ns
tc(SCLK2)	Serial I/O2 clock input cycle time		1000			ns
twH(SCLK2)	Serial I/O2 clock input "H" pulse width		400			ns
twL(SCLK2)	Serial I/O2 clock input "L" pulse width		400			ns
tsu(RxD-SCLK2)	Serial I/O2 input set up time		200			ns
th(SCLK2-RxD)	Serial I/O2 input hold time		200			ns

Note: When bit 6 of address 001A16 is "1".

Divide this value by four when bit 6 of address 001A16 is "0".

Table 23 Timing requirements (2) ($V_{CC} = 1.8$ to 4.0 V, $V_{SS} = 0$ V, $T_a = -20$ to 85°C , unless otherwise noted)

Symbol	Parameter		Limits			Unit
			Min.	Typ.	Max.	
$t_w(\text{RESET})$	Reset input "L" pulse width		2			μs
$t_c(X_{IN})$	Main clock input cycle time (X_{IN} input)	$(2.0 \text{ V} \leq V_{CC} \leq 4.0 \text{ V})$	125			ns
		$(V_{CC} < 2.0 \text{ V})$	$1000/(10 \times V_{CC} - 12)$			ns
$t_wH(X_{IN})$	Main clock input "H" pulse width	$(2.0 \text{ V} \leq V_{CC} \leq 4.0 \text{ V})$	50			ns
		$(V_{CC} < 2.0 \text{ V})$	70			ns
$t_wL(X_{IN})$	Main clock input "L" pulse width	$(2.0 \text{ V} \leq V_{CC} \leq 4.0 \text{ V})$	50			ns
		$(V_{CC} < 2.0 \text{ V})$	70			ns
$t_c(\text{CNTR})$	CNTR0, CNTR1 input cycle time	$(2.0 \text{ V} \leq V_{CC} \leq 4.0 \text{ V})$	$1000/V_{CC}$			ns
		$(V_{CC} < 2.0 \text{ V})$	$1000/(5 \times V_{CC} - 8)$			ns
$t_wH(\text{CNTR})$	CNTR0, CNTR1 input "H" pulse width		$t_c(\text{CNTR})/2 - 20$			ns
$t_wL(\text{CNTR})$	CNTR0, CNTR1 input "L" pulse width		$t_c(\text{CNTR})/2 - 20$			ns
$t_wH(\text{INT})$	INT0 to INT3 input "H" pulse width		230			ns
$t_wL(\text{INT})$	INT0 to INT3 input "L" pulse width		230			ns
$t_c(\text{SCLK1})$	Serial I/O1 clock input cycle time (Note)		2000			ns
$t_wH(\text{SCLK1})$	Serial I/O1 clock input "H" pulse width (Note)		950			ns
$t_wL(\text{SCLK1})$	Serial I/O1 clock input "L" pulse width (Note)		950			ns
$t_{su}(\text{RXD-SCLK1})$	Serial I/O1 input set up time		400			ns
$t_h(\text{SCLK1-RXD})$	Serial I/O1 input hold time		200			ns
$t_c(\text{SCLK2})$	Serial I/O2 clock input cycle time		2000			ns
$t_wH(\text{SCLK2})$	Serial I/O2 clock input "H" pulse width		950			ns
$t_wL(\text{SCLK2})$	Serial I/O2 clock input "L" pulse width		950			ns
$t_{su}(\text{RXD-SCLK2})$	Serial I/O2 input set up time		400			ns
$t_h(\text{SCLK2-RXD})$	Serial I/O2 input hold time		200			ns

Note: When bit 6 of address 001A16 is "1".

Divide this value by four when bit 6 of address 001A16 is "0".

Table 24 Switching characteristics (1) (Vcc = 4.0 to 5.5 V, Vss = 0 V, Ta = -20 to 85°C, unless otherwise noted)

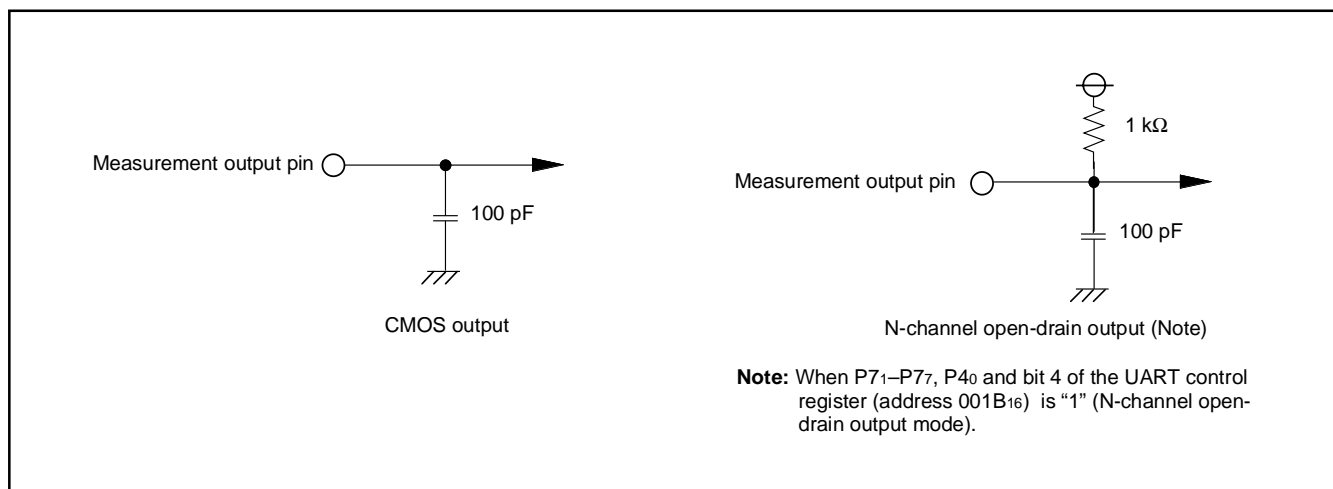
Symbol	Parameter	Limits			Unit
		Min.	Typ.	Max.	
twH(SCLK1)	Serial I/O1 clock output "H" pulse width	tc (SCLK1)/2-30			ns
twL(SCLK1)	Serial I/O1 clock output "L" pulse width	tc (SCLK1)/2-30			ns
td(SCLK1-TxD)	Serial I/O1 output delay time (Note)			140	ns
tv(SCLK1-TxD)	Serial I/O1 output valid time (Note)	-30			ns
tr(SCLK1)	Serial I/O1 clock output rising time			30	ns
tf(SCLK1)	Serial I/O1 clock output falling time			30	ns
twH(SCLK2)	Serial I/O2 clock output "H" pulse width	tc (SCLK2)/2-160			ns
twL(SCLK2)	Serial I/O2 clock output "L" pulse width	tc (SCLK2)/2-160			ns
td(SCLK2-SOUT2)	Serial I/O2 output delay time			0.2 X tc (SCLK2)	ns
tv(SCLK2-SOUT2)	Serial I/O2 output valid time	0			ns
tf(SCLK2)	Serial I/O2 clock output falling time			40	ns

Note: When the P45/TxD P-channel output disable bit of the UART control register (bit 4 of address 001B16) is "0".

Table 25 Switching characteristics (2) (Vcc = 1.8 to 4.0 V, Vss = 0 V, Ta = -20 to 85°C, unless otherwise noted)

Symbol	Parameter	Limits			Unit
		Min.	Typ.	Max.	
twH(SCLK1)	Serial I/O1 clock output "H" pulse width	tc (SCLK1)/2-100			ns
twL(SCLK1)	Serial I/O1 clock output "L" pulse width	tc (SCLK1)/2-100			ns
td(SCLK1-TxD)	Serial I/O1 output delay time (Note)			350	ns
tv(SCLK1-TxD)	Serial I/O1 output valid time (Note)	-30			ns
tr(SCLK1)	Serial I/O1 clock output rising time			100	ns
tf(SCLK1)	Serial I/O1 clock output falling time			100	ns
twH(SCLK2)	Serial I/O2 clock output "H" pulse width	tc (SCLK2)/2-240			ns
twL(SCLK2)	Serial I/O2 clock output "L" pulse width	tc (SCLK2)/2-240			ns
td(SCLK2-SOUT2)	Serial I/O2 output delay time			0.2 X tc (SCLK2)	ns
tv(SCLK2-SOUT2)	Serial I/O2 output valid time	0			ns
tf(SCLK2)	Serial I/O2 clock output falling time			100	ns

Note: When the P45/TxD P-channel output disable bit of the UART control register (bit 4 of address 001B16) is "0".



Note: When P71-P77, P40 and bit 4 of the UART control register (address 001B16) is "1" (N-channel open-drain output mode).

Fig. 65 Circuit for measuring output switching characteristics

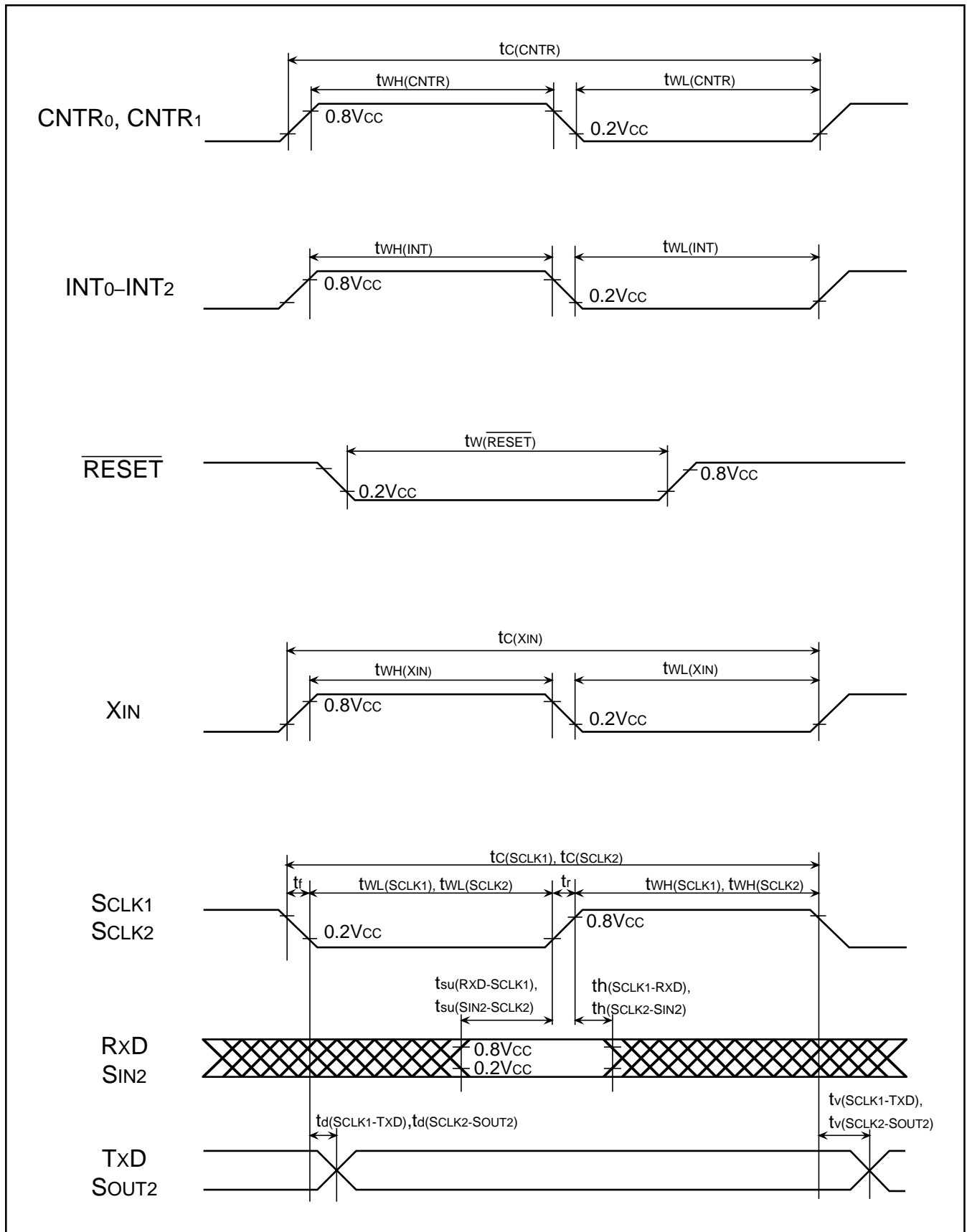
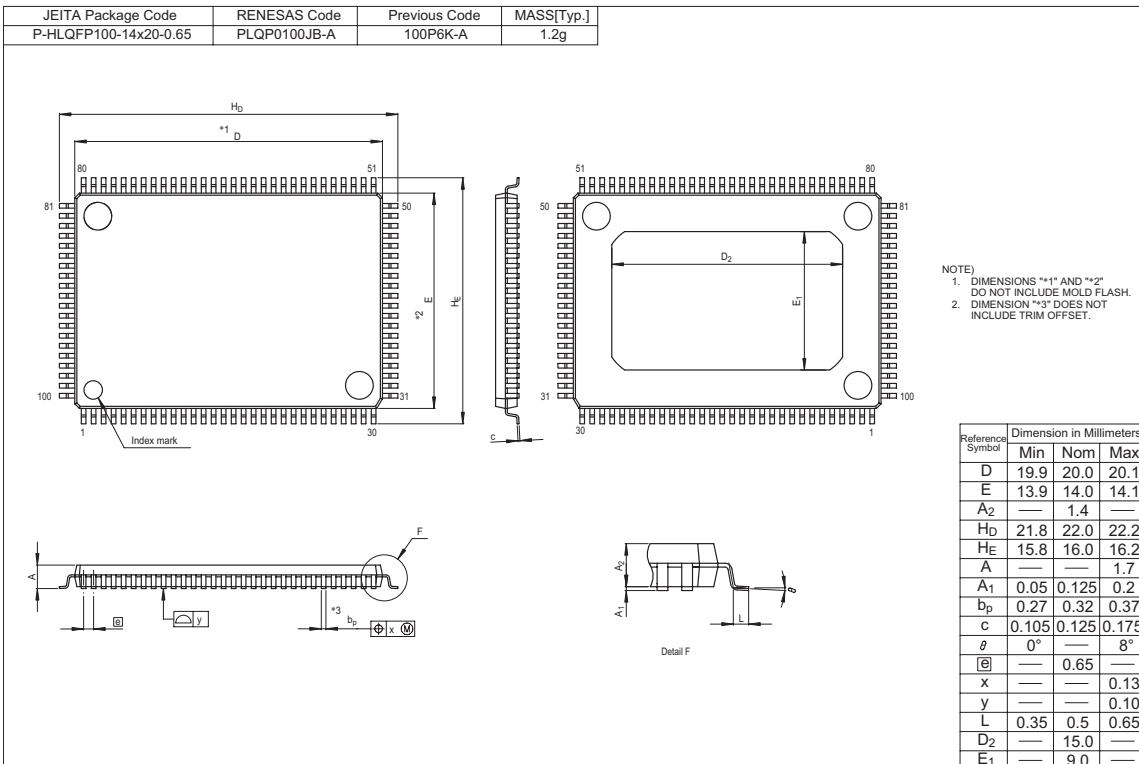
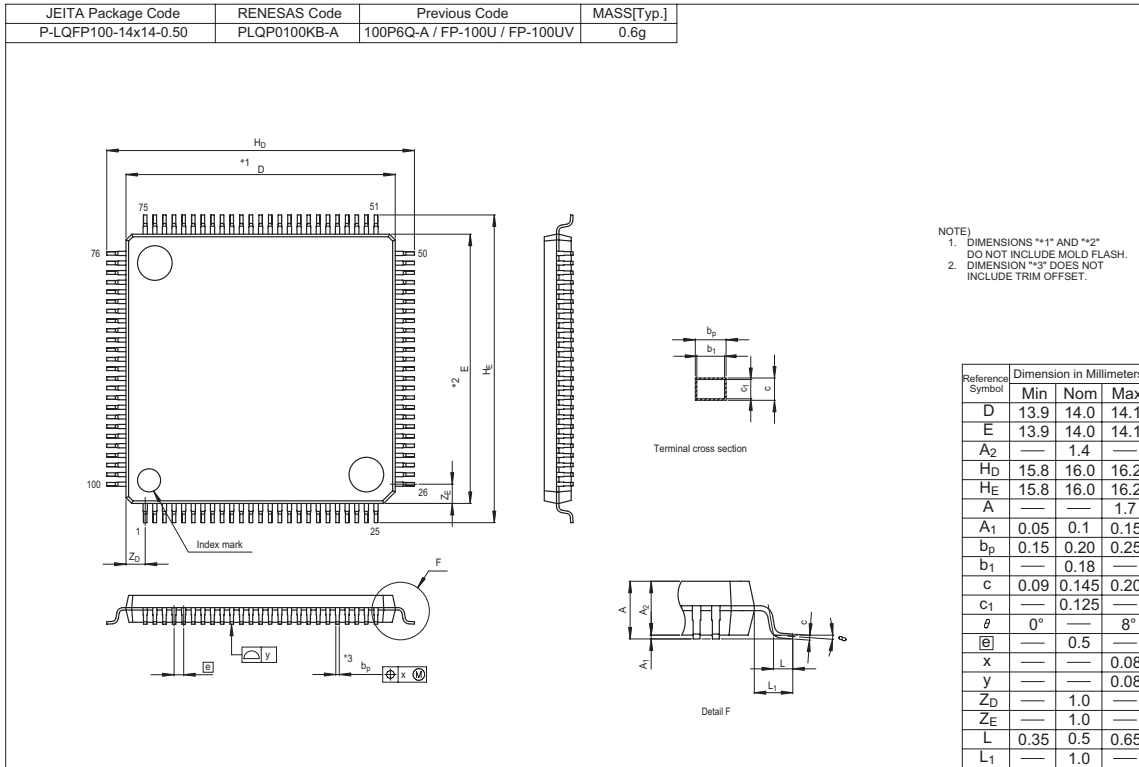


Fig. 66 Timing diagram

PACKAGE OUTLINE



3.3 Notes on use

3.3.1 Notes on programming

(1) Processor status register

① Initializing of processor status register

Flags which affect program execution must be initialized after a reset.

In particular, it is essential to initialize the T and D flags because they have an important effect on calculations.

● Reason

After a reset, the contents of the processor status register (PS) are undefined except for the I flag which is "1".

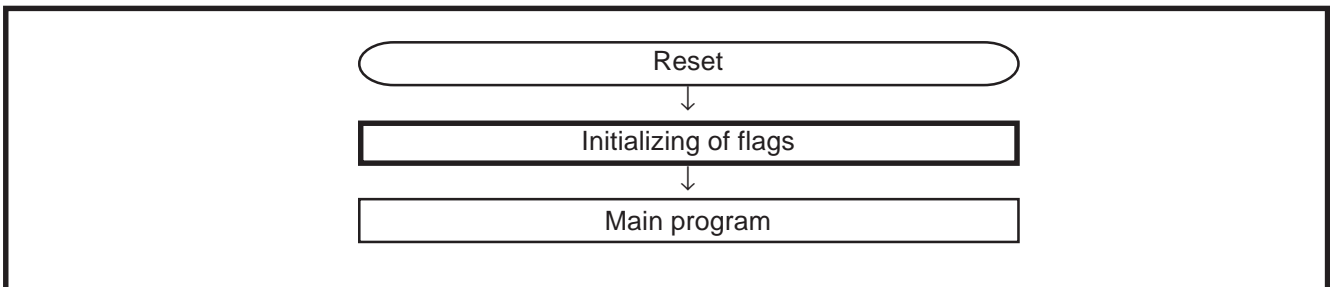


Fig. 3.3.1 Initialization of processor status register

② How to reference the processor status register

To reference the contents of the processor status register (PS), execute the **PHP** instruction once then read the contents of (S+1). If necessary, execute the **PLP** instruction to return the PS to its original status.

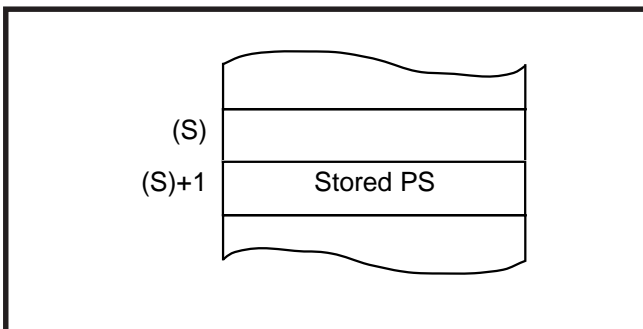


Fig. 3.3.3 Stack memory contents after PHP instruction execution

(2) Decimal calculations

■ Execution of decimal calculations

The **ADC** and **SBC** are the only instructions which will yield proper decimal notation, set the decimal mode flag (D) to “1” with the **SED** instruction. After executing the **ADC** or **SBC** instruction, execute another instruction before executing the **SEC**, **CLC**, or **CLD** instruction.

■ Notes on status flag in decimal mode

When decimal mode is selected, the values of three of the flags in the status register (the N, V, and Z flags) are invalid after a **ADC** or **SBC** instruction is executed.

The carry flag (C) is set to “1” if a carry is generated as a result of the calculation, or is cleared to “0” if a borrow is generated. To determine whether a calculation has generated a carry, the C flag must be initialized to “0” before each calculation. To check for a borrow, the C flag must be initialized to “1” before each calculation.

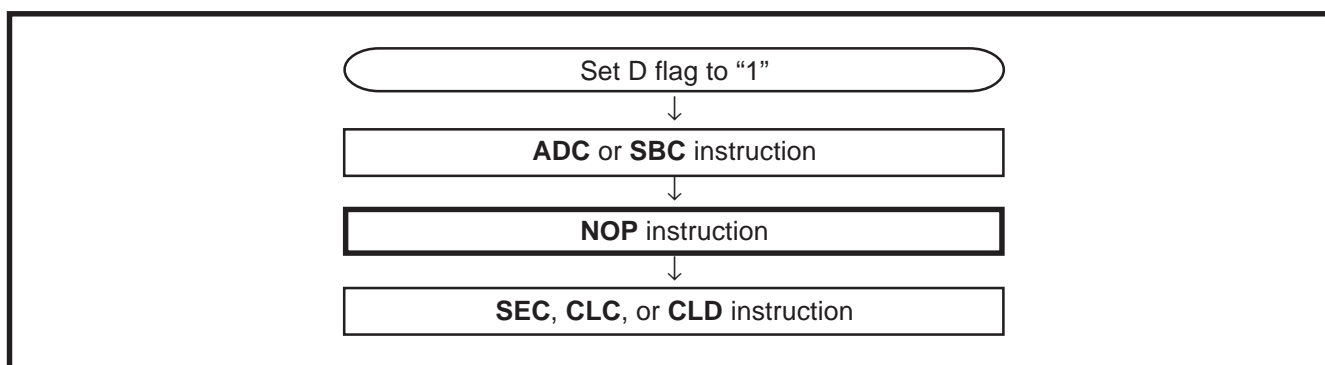


Fig. 3.3.4 Status flag at decimal calculations

(3) Multiplication and Division Instructions

- The index X mode (T) and the decimal mode (D) flags do not affect the **MUL** and **DIV** instruction.
- The execution of these instructions does not change the contents of the processor status register.

(4) JMP instruction

When using the **JMP** instruction in indirect addressing mode, do not specify the last address on a page as an indirect address.

(5) BRK instruction

When the **BRK** instruction is executed with the following conditions satisfied, the interrupt execution is started from the address of interrupt vector which has the highest priority.

- Interrupt request bit and interrupt enable bit are set to “1”.
- Interrupt disable flag (I) is set to “1” to disable interrupt.

(6) Read-modify-write instruction

Do not execute a read-modify-write instruction to the read invalid address (memory and SFR). The read-modify-write instruction operates in the following sequence: read one-byte of data from memory, modify the data, write the data back to original memory. The following instructions are classified as the read-modify-write instructions in the 740 Family.

- Bit management instructions: CLB, SEB
- Shift and rotate instructions: ASL, LSR, ROL, ROR, RRF
- Add and subtract instructions: DEC, INC
- Logical operation instructions (1's complement): COM

Add and subtract/logical operation instructions (ADC, SBC, AND, EOR, and ORA) when T flag = "1" operate in the way as the read-modify-write instruction. Do not execute the read invalid memory and SFR.

[Reason]

When the read-modify-write instruction is executed to read invalid memory and SFR, the instruction may cause the following consequence: the instruction reads unspecified data from the memory due to the read invalid condition. Then the instruction modifies this unspecified data and writes the data to the memory. The result will be random data written to the memory or some unexpected event.

(7) Instruction execution time

Each instruction execution time is obtained from the cycle time of system clock ϕ multiplied by the number of instruction cycles listed in the machine instruction table. Note that the cycle time of system clock ϕ is defined by the system clock division ratio selection bit and the system clock selection bit.

3.3.2 Notes on I/O port

(1) Modifying output data with bit managing instruction

When the port latch of an I/O port is modified with the bit managing instruction (**Note**), the value of the unspecified bit may be changed.

● Reason

I/O ports can be set to input or output mode in a bit unit. When reading or writing are performed to the port P_i ($i = 0-7$) register, the microcomputer operates as follows.

- Port in input mode
 - Read-access: reads pin's level (The contents of port latch and pin's level are unrelated.)
 - Write-access: writes data to port latch (The contents of port latch and pin's level are unrelated.)
- Port in output mode
 - Read-access: reads port latch (The contents of port latch and pin's level are unrelated.)
 - Write-access: writes data to port latch (The contents of port latch are output from the pin.)

The bit managing instructions are read-modify-write form instructions (refer to "3.3.1 Notes on programming (6)") for reading and writing data by a byte unit.

Therefore, when the bit managing instructions are executed to the port set to input mode, the instruction read the pin's states, modify the specification bit, and then write data to the port latch. At this time, if the contents of the original port latch are different from the pins's level, the contents of the port latch of bit which is not specified by instruction will change.

In addition to this, if the bit managing instructions are executed to the port P_i register in order to setting output data when port P_i is configured as a mixed input and output port, the contents of the port latch of bit in the input mode which is not specified by instruction may change.

Note: Bit managing instructions: SEB instruction, CLB instruction

(2) The port direction registers are write-only registers. Therefore, the following instructions cannot be used to this register:

- LDA instruction
 - Memory operation instruction when T flag is "1"
 - Instructions operating in addressing mode that modifies direction register
 - Bit test instructions such as BBC and BBS
 - Bit modification instructions such as CLB and SEB
 - Arithmetic instructions using read-modify-write form instructions such as ROR
- The LDM, STA instructions etc. are used for setting of the direction register.

(3) Pull-up Operation

When using each port which built in pull-up resistor as an output port, the pull-up control bit of corresponding port becomes invalid, and pull-up resistor is not connected.

● Reason

Pull-up control is effective only when each direction register is set to the input mode.

3.3.3 Termination of unused pins

(1) Terminate unused pins

Perform the following wiring at the shortest possible distance (20 mm or less) from microcomputer pins.

① Output ports

Open them.

② Input ports

Connect each pin to V_{CC} or V_{SS} through each resistor of 1 k Ω to 10 k Ω .

A for pins whose potential affects to operation modes such as the INTi pin or others, select the V_{CC} pin or the V_{SS} pin according to their operation mode.

③ I/O ports

Set the I/O ports for the input mode and connect each pin to V_{CC} or V_{SS} through each resistor of 1 k Ω to 10 k Ω . The port which can select a built-in pull-up resistor can also use the built-in pull-up resistor.

When using the I/O ports as the output mode, open them at "L" or "H".

- When opening them in the output mode, the input mode of the initial status remains until the mode of the ports is switched over to the output mode by the program after reset. Thus, the potential at these pins is undefined and the power source current may increase in the input mode. With regard to an effects on the system, thoroughly perform system evaluation on the user side.
- Since the direction register setup may be changed because of a program runaway or noise, set direction registers by program periodically to increase the reliability of program.

(2) Termination remarks

■ Input ports

Do not open them.

● Reason

- The power source current may increase depending on the first-stage circuit.
- An effect due to noise may be easily produced as compared with proper termination ② shown on the above.

■ I/O ports setting as input mode

[1] Do not open in the input mode.

● Reason

- The power source current may increase depending on the first-stage circuit.
- An effect due to noise may be easily produced as compared with proper termination ③ shown on the above.

[2] I/O ports :

Do not connect to V_{CC} or V_{SS} directly.

● Reason

If the direction register setup changes for the output mode because of a program runaway or noise, a short circuit may occur.

[3] I/O ports :

Do not connect multiple ports in a lump to V_{CC} or V_{SS} through a resistor.

● Reason

If the direction register setup changes for the output mode because of a program runaway or noise, a short circuit may occur between ports.

3.3.4 Notes on interrupts

(1) Unused interrupts

Set the interrupt enable bit for unused interrupts to "0" (disabled).

(2) Change of relevant register settings

When setting the followings, the interrupt request bit may be set to "1".

- When switching external interrupt active edge

Related register: •Interrupt edge selection register (address 3A₁₆)
 •Timer X mode register (address 27₁₆)
 •Timer Y mode register (address 28₁₆)

- When switching interrupt sources of an interrupt vector address where two or more interrupt sources are allocated

Related register: •Interrupt source selection bit of AD control register (bit 6 of address 34₁₆)

When not requiring for the interrupt occurrence synchronous with these setting, take the following sequence.

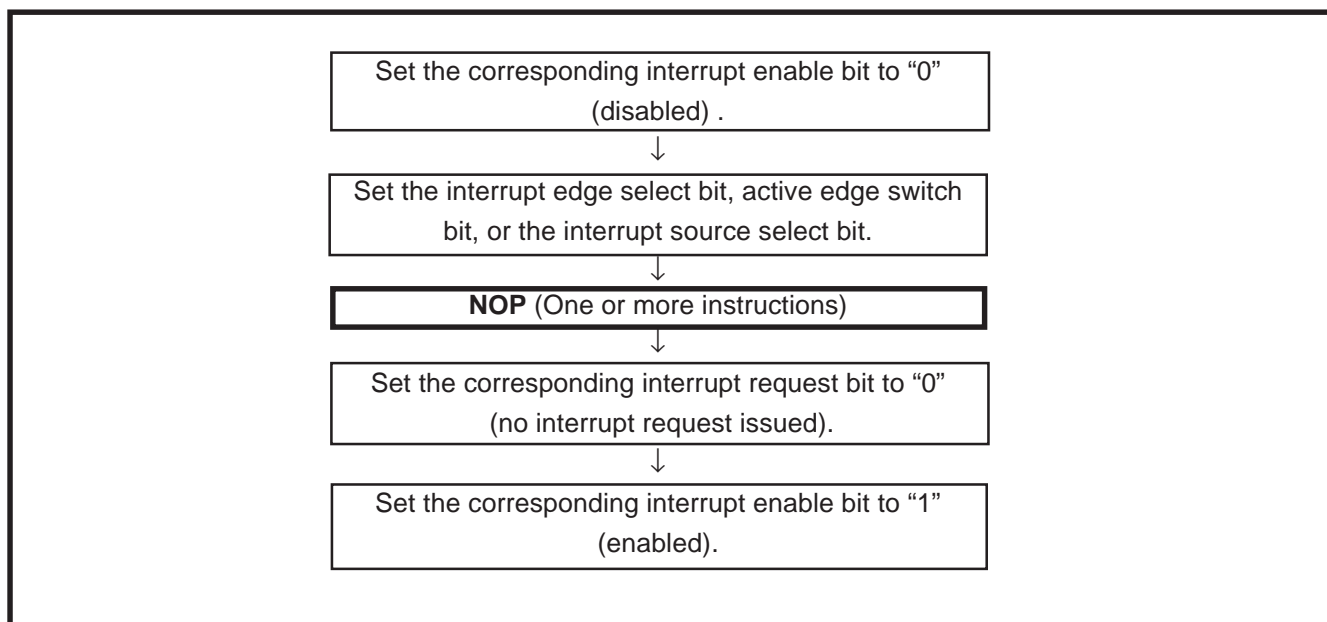


Fig. 3.3.5 Sequence of changing relevant register

■ Reason

When setting the followings, the interrupt request bit of the corresponding interrupt may be set to "1".

- When switching external interrupt active edge

Concerned register: INT₀ interrupt edge selection bit (bit 0 of Interrupt edge selection register (address 3A₁₆))
 INT₁ interrupt edge selection bit (bit 1 of Interrupt edge selection register (address 3A₁₆))
 INT₂ interrupt edge selection bit (bit 2 of Interrupt edge selection register (address 3A₁₆))
 CNTR₀ active edge switch bit (bit 6 of timer X mode register (address 27₁₆))
 CNTR₁ active edge switch bit (bit 6 of timer Y mode register (address 28₁₆))

- When switching interrupt sources of an interrupt vector address where two or more interrupt sources are allocated.

Concerned register: Interrupt source selection bit (bit 6 of AD control register (address 34₁₆))

(3) Check of interrupt request bit

When executing the **BBC** or **BBS** instruction to an interrupt request bit of an interrupt request register immediately after this bit is set to "0", take the following sequence.

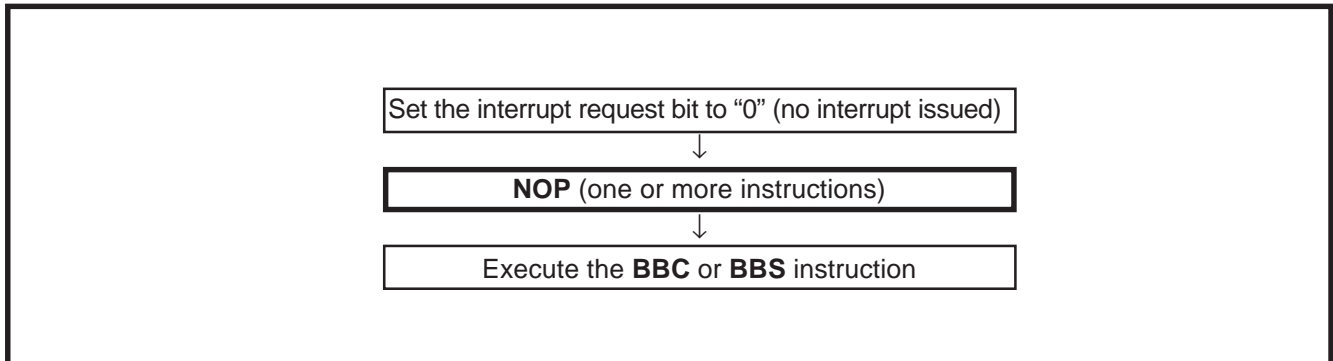


Fig. 3.3.6 Sequence of check of interrupt request bit

■ Reason

If the BBC or BBS instruction is executed immediately after an interrupt request bit of an interrupt request register is cleared to "0", the value of the interrupt request bit before being cleared to "0" is read.

3.3.5 Notes on timer

This clause describes notes for the various operation modes of Timer X, Timer Y, Timer 1, Timer 2, and Timer 3.

(1) Timer X

■For all modes

- ◆When reading and writing to the timer X high-order and low-order registers, be sure to read/write both the timer X high- and low-order registers.

When reading the timer X high-order and low-order registers, read the high-order register first. When writing to the timer X high-order and low-order registers, write the low-order register first. The timer X cannot perform the correct operation if the next operation is performed.

- Write operation to the high- or low-order register before reading the timer X low-order register
- Read operation from the high- or low-order register before writing to the timer X high-order register
- ◆When the operation “writing data only to the latch” is selected by the timer X write control bit (bit 0 of timer X mode register (address 27₁₆)) is selected, a value is simultaneously set to the timer X and the timer X latch if the writing in the high-order register and the underflow of timer X are performed at the same timing. Unexpected value may be set in the high-order timer on this occasion.

■Pulse output mode

- ◆When reading port P5₄ (bit 4 of port P5 register (address 0A₁₆)) in the pulse output mode, the pin state is read instead of the contents of the port latch.

■Real time port function

- ◆After reset is released, the port P5 direction register is set as the input mode and ports P5₀–P5₇ functions as regular ports. To use as the RTP function pin, set the corresponding bit of the port P5 direction register to the output mode.

■CNTR₀ active edge selection

- ◆The CNTR₀ active edge selection bit (bit 6 of timer X mode register) also effects the active edge of the generation of the CNTR₀ interrupt request.

(2) Timer Y

■For all modes

- ◆When reading and writing to the timer Y high-order and low-order registers, be sure to read/write both the timer Y high- and low-order registers.

When reading the timer Y high-order and low-order registers, read the high-order register first. When writing to the timer Y high-order and low-order registers, write the low-order register first. The timer Y cannot perform the correct operation if the next operation is performed.

- Write operation to the high- or low-order register before reading the timer Y low-order register
- Read operation from the high- or low-order register before writing to the timer Y high-order register

■CNTR₁ active edge selection

- ◆The CNTR₁ active edge selection bit (bit 6 of timer Y mode register (address 28₁₆)) also effects the active edge of the generation of the CNTR₁ interrupt request. However, both edges are valid for the request generation regardless of the bit state in the continuous HL pulse-width measurement mode.

(3) Timers 1–3

Set the value of timer in the order of the timer 1 register, the timer 2 register, and the timer 3 register after the count source selection of timer 1 to 3.

<Reason>

- When the count source of timers 1 to 3 is changed, the timer counting value may become arbitrary value because a thin pulse is generated in count input of timer.
- If timer 1 output is selected as the count source of timer 2 or timer 3, when timer 1 is written, the counting value of timer 2 or timer 3 may become undefined value because a thin pulse is generated in timer 1 output.

(4) Timer 2

If the value is written in latch only, a value is simultaneously set to the timer 2 and the timer 2 latch when the writing in the high-order register and the underflow of timer 2 are performed at the same timing.

(5) All timers

■The count source for timers is effected by system clock ϕ which is selected by the system clock selection bit (bit 7 of CPU mode register (address 3B₁₆)).

■Set the timer which is not used as follows:

- Stop the count (when using a timer with stop control)
- Set “0” to the corresponding interrupt enable bit

3.3.6 Notes on serial I/O1

(1) Writing to baud rate generator (BRG)

Write data to BRG while the transmission and reception operations are stopped.

(2) Setting procedure when using serial I/O1 transmit interrupt

When the serial I/O1 transmit interrupt is used, take the following sequence.

- ① Set the serial I/O1 transmit interrupt enable bit (bit 3 of interrupt control register 1 (address $3E_{16}$)) to "0" (disabled).
- ② Set the transmit enable bit (bit 4 of serial I/O1 control register (address $1A_{16}$)) to "1".
- ③ Set the serial I/O1 transmit interrupt request bit (bit 3 of interrupt request register 1 (address $3C_{16}$)) to "0" (no interrupt request issued) after 1 or more instruction has executed.
- ④ Set the serial I/O1 transmit interrupt enable bit to "1" (enabled).

<Reason>

When the transmission enable bit is set to "1", the transmit buffer empty flag (bit 0 of serial I/O1 status register (address 19_{16})) and the transmit shift register completion flag (bit 2 of serial I/O1 status register) are set to "1".

Therefore, the serial I/O1 transmit interrupt request bit is set to "1" regardless of the state of the transmit interrupt source selection bit (bit 3 of serial I/O1 control register).

(3) Data transmission control with referring to transmit shift register completion flag

After the transmit data is written to the transmit buffer register (address 18_{16}), the transmit shift register completion flag changes from "1" to "0" with a delay of 0.5 to 1.5 shift clocks. When data transmission is controlled with referring to the flag after writing the data to the transmit buffer register, note the delay.

(4) Setting serial I/O1 control register again

Set the serial I/O1 control register again after the transmission and the reception circuits are reset by setting both the transmit enable bit and the receive enable bit to "0".

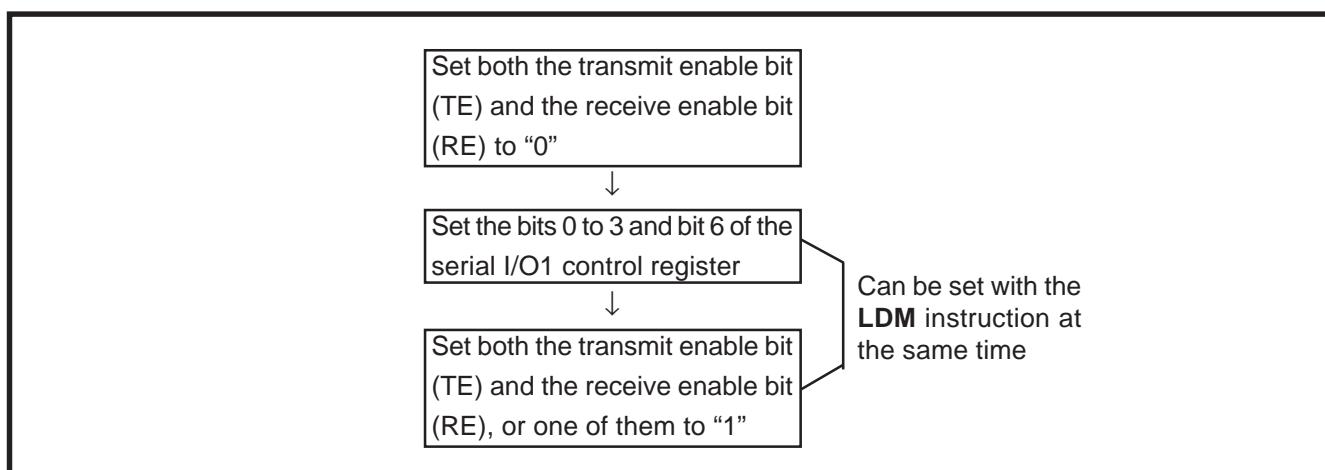


Fig. 3.3.7 Sequence of setting serial I/O1 control register again

(5) Pin state after transmit completion

The TxD pin holds the state of the last bit of the transmission after transmission completion. When the internal clock is selected for the transmit clock in the clock synchronous serial I/O mode, the S_{CLK1} pin holds "H".

(6) Serial I/O1 enable bit during transmit operation

When the serial I/O1 enable bit (bit 7 of serial I/O1 control register) is set to "0" (serial I/O1 disabled) when data transmission is in progress, the transmission progress internally. However, the external data transfer is terminated because the pins become regular I/O ports. In addition to this, when data is written to the transmission buffer register, data transmission is started internally. When the serial I/O1 enable bit is set to "1", the transmission is output to the TxD pin in the middle of the transfer.

(7) Transmission control when external clock is selected

When an external clock is used as the synchronous clock for data transmission, set the transmit enable bit to "1" at "H" of the S_{CLK1} input level. Also, write the transmit data to the transmit buffer register at "H" of the S_{CLK1} input level.

(8) Receive operation in clock synchronous serial I/O mode

When receiving data in the clock synchronous serial I/O mode, set not only the receive enable bit but also the transmit enable bit to "1". Then write dummy data to the transmission buffer register. When the internal clock is selected as the synchronous clock, the synchronous clock is output at this point and the receive operation is started. When the external clock is selected as the transfer clock, the serial I/O becomes ready for data receive at this point and, when the external clock is input to the clock input pin, the receive operation is started. The P4₅/TxD pin outputs the dummy data written in the transmission buffer register.

(9) Transmit and receive operation in clock synchronous serial I/O mode

When stopping transmitting and receiving operations in the clock synchronous serial I/O mode, set the receive enable bit and the transmit enable bit to "0" simultaneously. If only one of them is stopped the receive or transmit operation may lose synchronization, causing a bit slippage.

3.3.7 Notes on serial I/O2**(1) Switching synchronous clock**

When switching the synchronous clock by the serial I/O2 synchronous clock selection bit (bit 6 of serial I/O2 control register (address 1D₁₆)), initialize the serial I/O2 counter (write data to serial I/O2 register (address 1F₁₆)).

(2) Notes when selecting external clock

When an external clock is selected as the synchronous clock, the S_{OUT2} pin holds the output level of D₇ after transmission is completed. However, if the clock is input to the serial I/O continuously, the serial I/O2 register continues the shift operation and outputs data from the S_{OUT2} pin continuously. A write operation to the serial I/O2 register must be performed when the S_{CLK21} pin is "H".

When the internal clock is selected as the synchronous clock, the S_{OUT2} pin holds the high-impedance state after transmission.

3.3.8 Notes on PWM output circuit

●“L” level output before starting PWM output

When at least one of two is set to “1” when both the PWM₀ function enable bit and the PWM₁ function enable bit are “0”, “L” level is output from the corresponding PWM pin during the period shown below. Then, PWM output is started from “H” level.

- Count source selection bit = “0”, where n is the value set in the prescaler

$$\frac{n + 1}{2 \cdot f(X_{IN})} \text{ sec.}$$

- Count source selection bit = “1”, where n is the value set in the prescaler

$$\frac{n + 1}{f(X_{IN})} \text{ sec.}$$

●Change of PWM output

When the PWM prescaler and the PWM register are changed during PWM output, the PWM waveforms corresponding to updated data will be output from the next repetitive cycle. Figure 3.3.8 shows the change of PWM output.

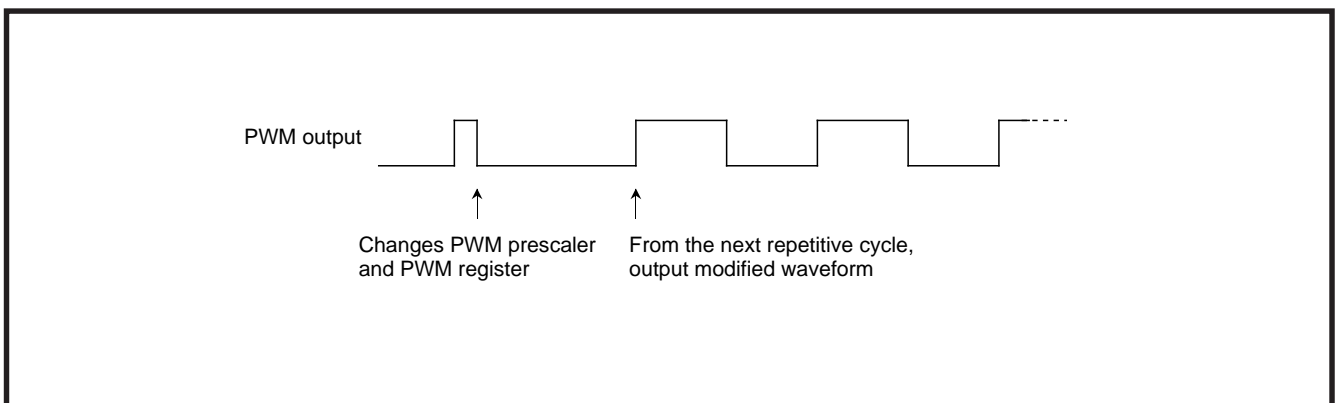


Fig. 3.3.8 Change of PWM output

3.3.9 Notes on A/D converter

(1) Analog input pin

Make the signal source impedance for analog input low, or equip an analog input pin with an external capacitor of 0.01 μ F to 1 μ F. Further, be sure to verify the operation of application products on the user side.

● Reason

An analog input pin includes the capacitor for analog voltage comparison. Accordingly, when signals from signal source with high impedance are input to an analog input pin, charge and discharge noise generates. This may cause the A/D conversion precision to be worse.

(2) Analog power source input pin AVss

The AVss pin is an analog power source input pin. Regardless of using the A/D conversion function or not, connect it as following :

- AVss : Connect to the Vss line

● Reason

If the AVss pin is opened, the microcomputer may have a failure because of noise or others.

(3) Reference voltage input pin V_{REF}

Connect an approximately 1000 pF capacitor across the AVss pin and the V_{REF} pin. Besides, connect the capacitor across the V_{REF} pin and the AVss pin at equal length as close as possible.

(4) Clock frequency during A/D conversion

Use the A/D converter in the following conditions:

- Select X_{IN}-X_{OUT} as system clock ϕ by the system clock selection bit (bit 7 of CPU mode register (address 3B₁₆)). When selecting X_{CIN}-X_{COUT} as system clock ϕ , the A/D conversion function cannot be used.
- f(X_{IN}) is 500 kHz or more.
- Do not execute the STP or WIT instruction during A/D conversion.

● Reason

The comparator consists of a capacity coupling, and a charge of the capacity will be lost if the clock frequency is too low. This may cause the A/D conversion precision to be worse.

(5) When the falling edge is input to the ADT pin during A/D conversion at the time of A/D external trigger effective, the conversion processing is interrupted and the A/D conversion starts again. In addition, even if "0" is set to the AD conversion completion bit by the program during A/D conversion, re-conversion is not performed but the original conversion is continued.

(6) The A/D converter will not operate normally if one of the following operation is applied during the A/D conversion:

- Writing to CPU mode register
- Writing to AD control register
- Executing the STP instruction and WIT instruction

3.3.10 Notes on D/A converter

(1) Pin states at reset

The P5₆/DA₁ pin and the P5₇/ADT/DA₂ pin go to high impedance state at reset.

(2) Connecting low-impedance device

The DA_i output pin have no buffer, so connect an external buffer when driving a low-impedance load.

(3) Reference voltage input pin V_{REF}

- When the P5₆/DA₁ pin and the P5₇/ADT/DA₂ pin are used as DA_i output pins, the V_{CC} level is recommended for the applied voltage to the V_{REF} pin. When the voltage below V_{CC} level is applied, the D/A conversion accuracy may be worse.
- Connect an approximately 1000 pF capacitor across the AV_{SS} pin and the V_{REF} pin. Besides, connect the capacitor across the V_{REF} pin and the AV_{SS} pin at equal length as close as possible.

3.3.11 Notes on LCD drive control circuit

(1) Count source for LCDCK

The LCDCK count source selection bit (bit 7 of LCD mode register (address 39₁₆)) is set to "0" after reset, selecting $f(X_{CIN})/32$. The sub clock has stopped after reset. Therefore, turn on LCD after starting the oscillation and stabilizing the oscillation. Select the LCDCK count source after the corresponding clock source becomes stable.

(2) STP instruction

When executing the STP instruction, execute the STP instruction after setting the LCD enable bit to "0". If the STP instruction is executed during LCD lighting, direct-current voltage will be applied to the LCD panel.

(3) When not using LCD

When not using an LCD, leave the LCD segment and common pins open. Connect the V_{L1} pin to Vss, and the V_{L2} and V_{L3} pins to Vcc.

(4) Using voltage multiplier circuit

When using the voltage multiplier, apply the limit voltage or less to the V_{L1} pin, then set the voltage multiplier control bit to "1" (enabled). If above the limit voltage is applied to the V_{L1} pin, current may flow in the voltage multiplier circuit at the time of the voltage multiplier circuit operation start. For the limit value, refer to "3.1 Electrical characteristics".

When not using the voltage multiplier, set the LCD output enable bit to "1", then apply proper voltage to the LCD power input pins (V_{L1} – V_{L3}).

When the LCD output enable bit is set to "0" (disabled), the Vcc voltage is applied to the V_{L3} pin inside of this microcomputer.

(5) LCD drive power supply

Power supply capacitor may be insufficient with the division resistance for LCD power supply, and the characteristic of the LCD panel. In this case, there is the method of connecting the bypass capacitor about 0.1–0.33 μF to V_{L1} – V_{L3} pins. The example of a strengthening measure of the LCD drive power supply is shown in Figure 3.3.9.

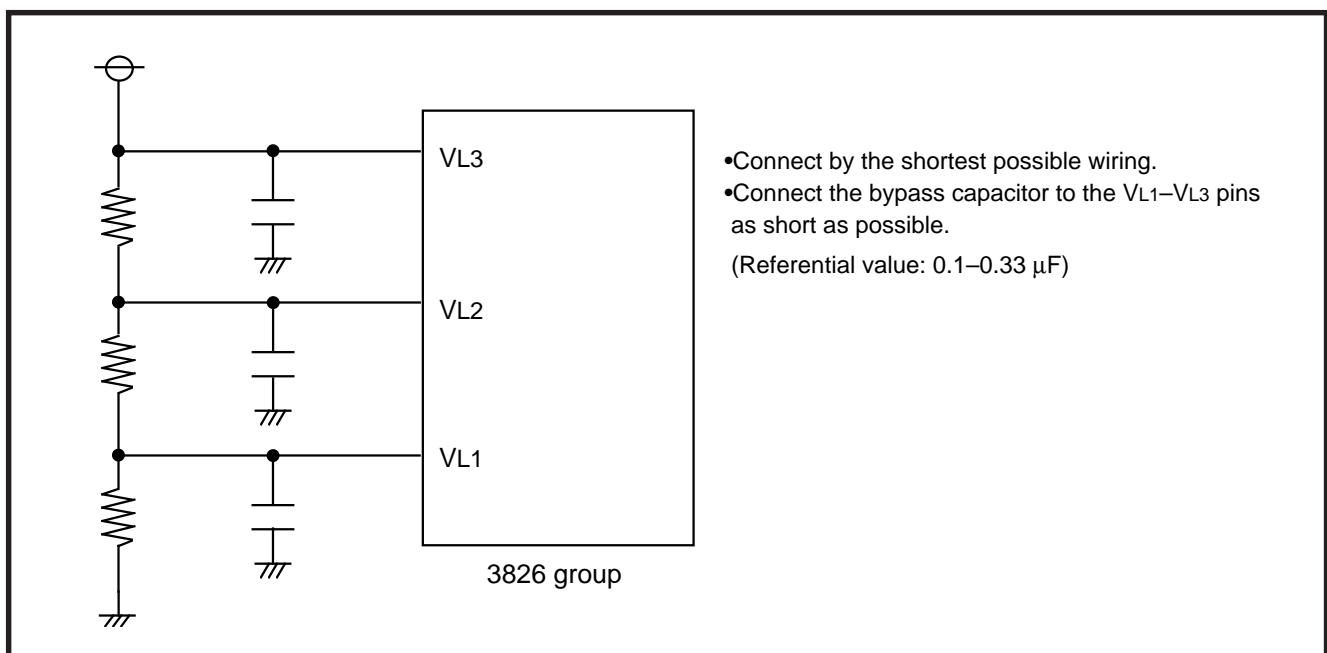


Fig. 3.3.9 Strengthening measure example of LCD drive power supply

(6) Data setting to LCD display RAM

When writing a data into the LCD display RAM during LCD being turned ON (LCD enable bit = "1"), write the confirmed data. Do not write temporarily on the LCD display RAM because this might cause the LCD display flickering. Figure 3.3.10 shows the write procedure for LCD display RAM when LCD is on.

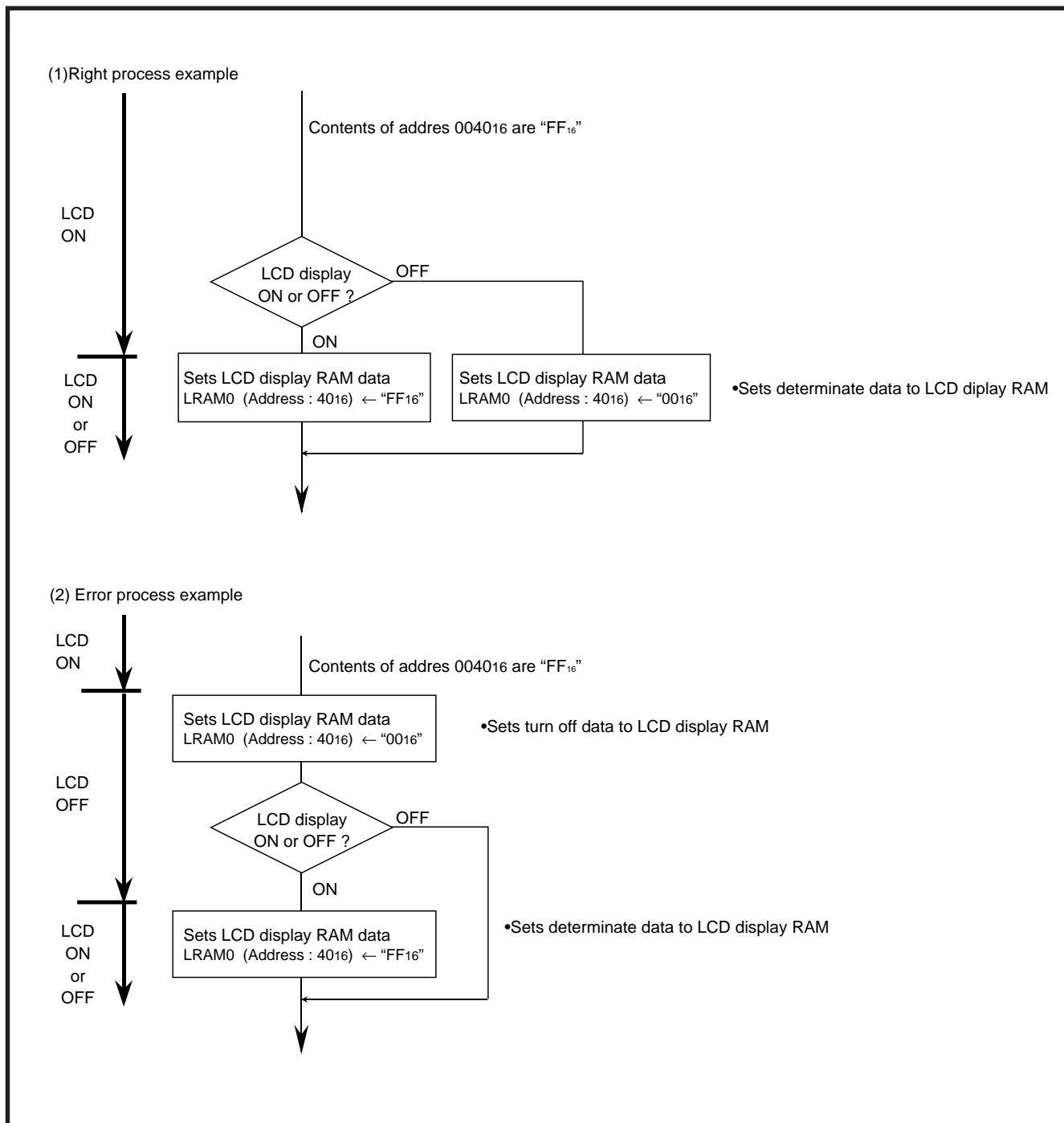


Fig. 3.3.10 Write procedure for LCD display RAM when LCD is on

3.3.12 Notes on watchdog timer

- (1) The watchdog timer is operating during the wait mode. Write data to the watchdog timer control register to prevent timer underflow.
- (2) The watchdog timer stops during the stop mode. However, the watchdog timer is running during the clock stabilization period and the watchdog timer control register must be written just before executing the STP instruction.
- (3) The count source of the watchdog timer is affected by the system clock ϕ selected by the system clock selection bit (bit 7 of CPU mode register (address 3B₁₆)).

3.3.13 Notes on reset circuit

(1) Reset input voltage control

Make sure that the reset input voltage is less than 0.2 V_{cc} for V_{cc}(min).

(2) Countermeasures for reset signal slow rising

In case where the $\overline{\text{RESET}}$ signal rise time is long, connect a ceramic capacitor or others across the $\overline{\text{RESET}}$ pin and the V_{ss} pin. Use a 1000 pF or more capacitor for high frequency use. When connecting the capacitor, note the following:

- Make the length of the wiring which is connected to a capacitor as short as possible.
- Be sure to verify the operation of application products on the user side.

●Reason

If the several nanosecond or several ten nanosecond impulse noise enters the $\overline{\text{RESET}}$ pin, it may cause a microcomputer failure.

(3) Port state immediately after reset

Table 3.3.1 shows the each pin state during $\overline{\text{RESET}}$ pin is "L".

Table 3.3.1 Each pin state during $\overline{\text{RESET}}$ pin is "L"

Pin name	Pin state
P0, P1 (SEG ₂₆ –SEG ₃₉)	Input mode (with pull-up)
P2, P4 ₁ –P4 ₇ , P5, P6	Input mode (high-impedance)
P3 (SEG ₁₈ –SEG ₂₅)	Pulled up to V _{cc} level
P7 ₀	High-impedance
P4 ₀ , P7 ₁ –P7 ₇	Input mode (high-impedance)
SEG ₀ –SEG ₁₇	V _{cc} level output
COM ₀ –COM ₃	V _{cc} level output

3.3.14 Notes on clock generating circuit

●Mode transition

Both the main clock (X_{IN} - X_{OUT}) and sub-clock (X_{CIN} - X_{COUT}) need time for the oscillations to stabilize. The mode transition between middle-/high-speed and low-speed mode must be performed after the corresponding clock becomes stable. The sub-clock, needs extra time to stabilize particularly when executing operations after power-on and stop mode. The main and sub clocks require the following condition for mode transition.

$$f(X_{IN}) > 3 \times f(X_{CIN})$$

3.3.15 Notes on standby function

(1) Once the STP instruction is disabled by the STP instruction disable bit (bit 6 of watchdog timer control register (address 37₁₆)), the microcomputer cannot be return to the STP instruction enable state.

(2) When using the standby function, note the following.

The power dissipation may increase depending on functions and pin states.

Take the following countermeasures for reduce the power dissipation.

■Countermeasures for reduce power dissipation

- Input ports: Fix to “H” or “L” externally

- Output ports: Fix to level that avoid leak-current.

(Example: Fix the pin to “H” when the circuit which current flows and LED turns on at “L” output.)

- A/D input pins: Fix to “H” or “L” externally

- PWMi function enable bits (bits 1 and 2 of PWM control register (address 2B₁₆)): “0”

- LCD enable bit: “0”

- Complete A/D conversion

(Confirm the AD conversion completion bit (bit 3 of AD control register (address 34₁₆)) is “1”)

- V_{REF} input switch bit (bit 4 of AD control register): “0”

- D/Ai conversion register (addresses 32₁₆, 33₁₆): “00₁₆”

(3) When using stop mode

■Operation after restoration by occurrence of interrupt request

- All the timer 123 mode register bits are automatically set to “0” except for bit 4.

- When an interrupt request occurs in the stop mode, the stop mode is released and the clock stopped by STP starts the oscillation. The oscillation stabilizing time of main clock is secured to restoration from the stop mode when both the main and sub clocks are oscillating and the main clock is set for the system clock when executing the STP instruction. Note that the oscillation of sub clock may not be stable after main clock oscillation being stable.

■When LCD display

Execute the STP instruction after turning LCD to OFF by setting the LCD enable bit (bit 3 of LCD mode register (address 39₁₆)) to “0”. If the STP instruction is executed while the LCD is ON, direct voltage will be applied to the LCD panel.

■Watchdog timer

The watchdog timer stops during the stop mode but operates during the oscillation stabilizing time. Therefore, the watchdog timer control register must be written just before executing the STP instruction to prevent its underflow.

(4) When using wait mode

■Restoration by reset input

When the sub clock is selected as the system clock and the main clock is stopped at the time WIT instruction is executed, if the $\overline{\text{RESET}}$ pin input level is set to “L”, the sub clock oscillation stops and the main clock oscillation starts. Oscillation is unstable at first and requires an oscillation stabilizing time. Retain the $\overline{\text{RESET}}$ pin input level at “L” until the oscillation is stabilized. After the oscillation has stabilized, retain the $\overline{\text{RESET}}$ pin at “L” for 2 μs or more in order to set the internal reset state.

■Watchdog timer

The watchdog timer operates during the wait mode. The watchdog timer control register must be written to prevent its underflow.

REVISION HISTORY

3826 Group (A version) Data Sheet

Rev.	Date	Description	
		Page	Summary
1.00	Feb. 18, 2003	–	First edition issued
1.02	Jul. 31, 2003	1 4 7 18 19 20 21 39 44 58 61 63 64 65 66 67	Power dissipation revised. Table 1 Pin description (1) Vcc Vss; Function description revised. Fig.5 Memory expansion plan revised. Fig.14 Port block diagram (1); (4) Ports P16, P17,P2, P41, P42 and (5) Port P44 revised. Fig.15 Port block diagram (2); (7) Port P46 and (11) Port P54 revised. Fig.16 Port block diagram (3); (14) Port P55, (15) Ports P56, P57 and (17) Port P60 revised. Fig.17 Port block diagram (4); (19) Port P62 revised. Fig.40 A-D converter block diagram Voltage Multiplier (3 Times) Description of order for operating the voltage multiplier revised. ROM ORDERING METHOD revised. Table 16 Recommended operating conditions (4); f(CNTR0) f(CNTR1) revised. Table 18 Electrical characteristics (2); ICC revised. Table 19 A-D converter characteristics (1); Note revised. Table 20 A-D converter characteristics (2); Note revised. Table 22 Timing requirements (1); tc(SCLK), tWH(SCLK), tWL(SCLK), tsu(RxD-SCLK), th(SCLK-RxD); revised. Table 23 Timing requirements (2); tc(SCLK), tWH(SCLK), tWL(SCLK), tsu(RxD-SCLK), th(SCLK-RxD); revised. Table 25 Switching characteristics (2) ; tr(SCLK1) tf(SCLK1) revised.
2.00	May.24, 2006	- - 1 6 7 13 38 39 53 54 55 60	Package revised. Word standardized: "A/D converter", "D/A converter", "Serial interface" FEATURES: • A/D converter revised. APPLICATIONS: "household appliances" added Fig. 4: Description of RAM added. Fig. 5: Development status: "under development" → "mass production" Table 3: Date revised. SFR: AD conversion low-order register (ADL) added to address 001416 and AD conversion high-order register (ADH) added to address 003516. A/D CONVERTER: Description revised and ADL added to Fig. 38. Fig. 39 added and Fig. 40 revised. Fig. 58: AD conversion low-order register added. Description revised. Fig. 59: Note added. Fig. 61: Note 2 added. Note on Power supply voltage added.

REVISION HISTORY

3826 Group (A version) Data Sheet

Rev.	Date	Description	
		Page	Summary
2.00	May.24, 2006	60	ROM ORDERING METHOD: URL revised.
		66	Table 19: "f(XIN) = 8 MHz" added to Test condition of tCONV revised.
		67	Table 20 A/D converter characteristics (2) [10-bit A/D mode] added.
		68	Table 22: "(Note)" of tc(SCLK2), tWH(SCLK2), tWL(SCLK2) eliminated.
		69	Table 23: "(Note)" of tc(SCLK2), tWH(SCLK2), tWL(SCLK2) eliminated.
		72 to 90	Table 25: Note 2 eliminated. APPENDIX added.

Keep safety first in your circuit designs!

1. Renesas Technology Corp. puts the maximum effort into making semiconductor products better and more reliable, but there is always the possibility that trouble may occur with them. Trouble with semiconductors may lead to personal injury, fire or property damage.
Remember to give due consideration to safety when making your circuit designs, with appropriate measures such as (i) placement of substitutive, auxiliary circuits, (ii) use of nonflammable material or (iii) prevention against any malfunction or mishap.

Notes regarding these materials

1. These materials are intended as a reference to assist our customers in the selection of the Renesas Technology Corp. product best suited to the customer's application; they do not convey any license under any intellectual property rights, or any other rights, belonging to Renesas Technology Corp. or a third party.
 2. Renesas Technology Corp. assumes no responsibility for any damage, or infringement of any third-party's rights, originating in the use of any product data, diagrams, charts, programs, algorithms, or circuit application examples contained in these materials.
 3. All information contained in these materials, including product data, diagrams, charts, programs and algorithms represents information on products at the time of publication of these materials, and are subject to change by Renesas Technology Corp. without notice due to product improvements or other reasons. It is therefore recommended that customers contact Renesas Technology Corp. or an authorized Renesas Technology Corp. product distributor for the latest product information before purchasing a product listed herein.
The information described here may contain technical inaccuracies or typographical errors.
Renesas Technology Corp. assumes no responsibility for any damage, liability, or other loss rising from these inaccuracies or errors.
Please also pay attention to information published by Renesas Technology Corp. by various means, including the Renesas Technology Corp. Semiconductor home page (<http://www.renesas.com>).
 4. When using any or all of the information contained in these materials, including product data, diagrams, charts, programs, and algorithms, please be sure to evaluate all information as a total system before making a final decision on the applicability of the information and products. Renesas Technology Corp. assumes no responsibility for any damage, liability or other loss resulting from the information contained herein.
 5. Renesas Technology Corp. semiconductors are not designed or manufactured for use in a device or system that is used under circumstances in which human life is potentially at stake. Please contact Renesas Technology Corp. or an authorized Renesas Technology Corp. product distributor when considering the use of a product contained herein for any specific purposes, such as apparatus or systems for transportation, vehicular, medical, aerospace, nuclear, or undersea repeater use.
 6. The prior written approval of Renesas Technology Corp. is necessary to reprint or reproduce in whole or in part these materials.
 7. If these products or technologies are subject to the Japanese export control restrictions, they must be exported under a license from the Japanese government and cannot be imported into a country other than the approved destination.
Any diversion or reexport contrary to the export control laws and regulations of Japan and/or the country of destination is prohibited.
 8. Please contact Renesas Technology Corp. for further details on these materials or the products contained therein.
-



RENESAS SALES OFFICES

<http://www.renesas.com>

Refer to "<http://www.renesas.com/en/network>" for the latest and detailed information.

Renesas Technology America, Inc.

450 Holger Way, San Jose, CA 95134-1368, U.S.A
Tel: <1> (408) 382-7500, Fax: <1> (408) 382-7501

Renesas Technology Europe Limited

Dukes Meadow, Millboard Road, Bourne End, Buckinghamshire, SL8 5FH, U.K.
Tel: <44> (1628) 585-100, Fax: <44> (1628) 585-900

Renesas Technology (Shanghai) Co., Ltd.

Unit 204, 205, AZIACenter, No.1233 Lujiazui Ring Rd, Pudong District, Shanghai, China 200120
Tel: <86> (21) 5877-1818, Fax: <86> (21) 6887-7898

Renesas Technology Hong Kong Ltd.

7th Floor, North Tower, World Finance Centre, Harbour City, 1 Canton Road, Tsimshatsui, Kowloon, Hong Kong
Tel: <852> 2265-6688, Fax: <852> 2730-6071

Renesas Technology Taiwan Co., Ltd.

10th Floor, No.99, Fushing North Road, Taipei, Taiwan
Tel: <886> (2) 2715-2888, Fax: <886> (2) 2713-2999

Renesas Technology Singapore Pte. Ltd.

1 Harbour Front Avenue, #06-10, Keppel Bay Tower, Singapore 098632
Tel: <65> 6213-0200, Fax: <65> 6278-8001

Renesas Technology Korea Co., Ltd.

Kukje Center Bldg. 18th Fl., 191, 2-ka, Hangang-ro, Yongsan-ku, Seoul 140-702, Korea
Tel: <82> (2) 796-3115, Fax: <82> (2) 796-2145

Renesas Technology Malaysia Sdn. Bhd

Unit 906, Block B, Menara Amcorp, Amcorp Trade Centre, No.18, Jalan Persiaran Barat, 46050 Petaling Jaya, Selangor Darul Ehsan, Malaysia
Tel: <603> 7955-9390, Fax: <603> 7955-9510