

Distinctive Characteristics

Brilliant illumination for highly visible status indication with LEDs and caps in red, green, or amber; subdued illumination for low light requirements with white cap over red, green, or amber LEDs.

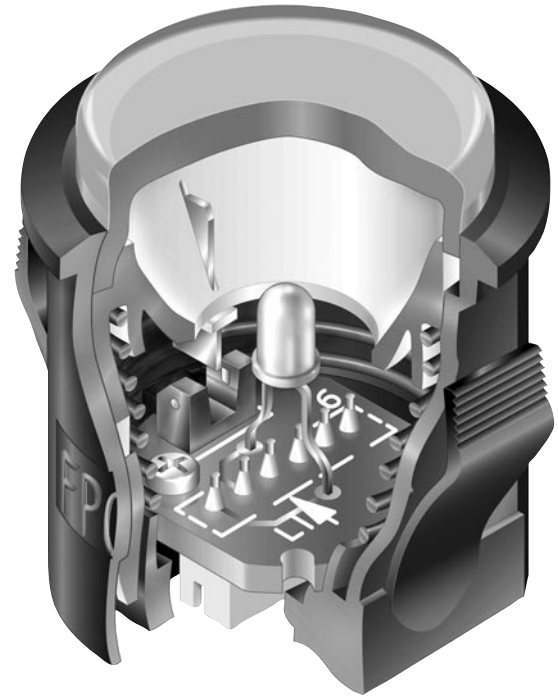
Photo interrupter, rather than contacts, ensures high reliability and long life of 3 million operations minimum.

Rugged construction and smooth actuation allow repeated, rapid actuation force anywhere on cap surface.

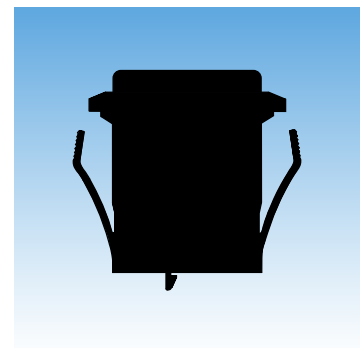
Snap-in mounting for easy installation.

Connector socket with 6 pins for simple connection.

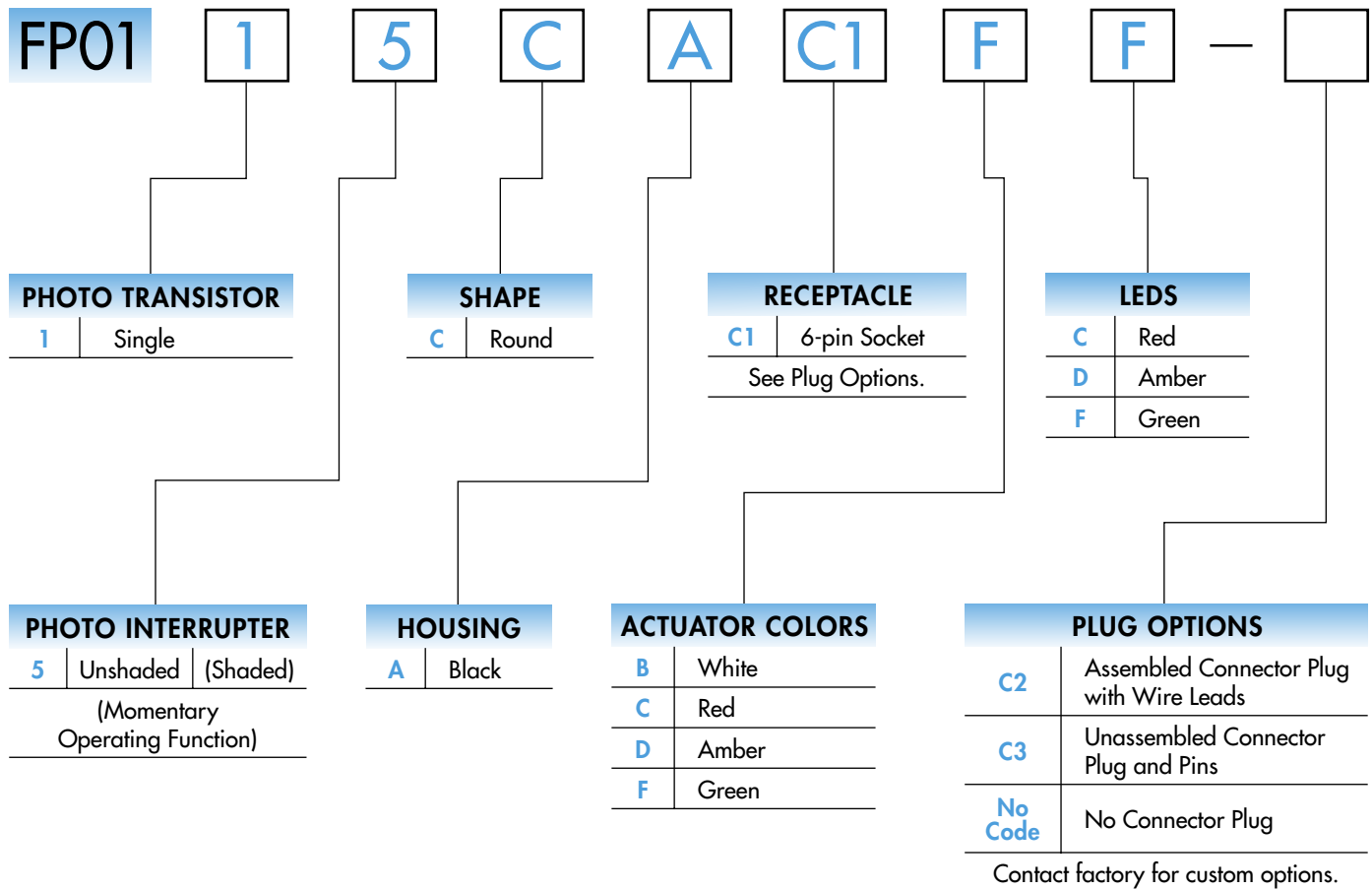
Well suited for gaming and vending machines, as well as equipment exposed to corrosive gases used in environments such as chemical or steel manufacturing plants.



Actual Size



TYPICAL SWITCH ORDERING EXAMPLE



DESCRIPTION FOR TYPICAL ORDERING EXAMPLE

FP0115CAC1FF

Green Actuator with Green LED



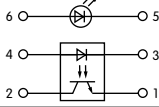
Single Photo Transistor with Normally Unshaded Photo Interrupter



Round, Black Housing

No Connector Plug

ACTUATOR & INTERRUPTER

Model	1	Actuator Position		Photo Interrupter		Schematics
		Normal	Down	Unshaded	Shaded	
				5	Normally Unshaded with Momentary Shaded status	LED connector pins are 5 & 6; interrupter connector pins are 3-4 & 1-2.
FP0115	Single Photo Transistor	When shaded, the photo transistor momentarily activates electrical function which signals the external device to change its state.				

HOUSING SHAPE & COLOR

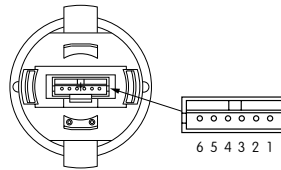
C Round Shape

A Black Housing

INTERNAL RECEPTACLE

CI Receptacle

Internal male connector socket



SWITCH SPECIFICATIONS

	Actuator Up	Actuator Down
Status of Photo Interrupter:	Unshaded	Shaded
Collector Current I_C :	0.8mA minimum	10 μ A maximum
Status of Photo Transistor:	On	Off
Output Condition of Photo Transistor:	$I_F = 20\text{mA}$ & $V_{CE} = 5V$	

MECHANICAL SPECIFICATIONS

Total Travel:	.079" (2.0mm)
Operating Force:	0.75 N (.169 lbf)
Mechanical Life:	3,000,000 operations minimum
Operating Temperature Range:	-25°C through +50°C (-13°F through +122°F)

MATERIALS

Actuator:	Polyacetal
Housing:	Polyamide

PHOTO INTERRUPTER SPECIFICATIONS

(Temperature @ 25°C)

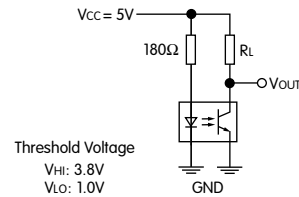
Electrical & Optical Characteristics	Typical	Maximum	Condition
Input			
Forward Voltage V_F :	1.3V	1.6V	$I_F = 50\text{mA}$
Reverse Current I_R :		10 μA	$F_R = 5\text{V}$
Transmission			
Collector-Emitter Saturation Voltage $V_{CE\text{ sat}}$:		0.4V	$I_F = 20\text{mA}$ & $I_C = 0.1\text{mA}$

Absolute Maximum Ratings			
Input LED		Output Photo Transistor	
Forward Current I_F :	50mA	Collector-Emitter Voltage V_{CEO} :	30V
Reverse Voltage V_R :	5V	Emitter-Collector Voltage V_{ECO} :	4.5V
Power Dissipation P_D :	80mW	Collector Current I_C :	30mA
		Collector Dissipation P_C :	80mW

Circuit Design Considerations

Output of the infrared LED in the photo interrupter decreases approximately 50% after 100,000 hours.

Recommended load resistance (R_L) is 40k ~ 120k Ω for the illustrated circuit.



ACTUATOR COLORS

B White

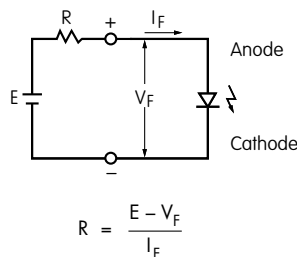
C Red

D Amber

F Green

LED COLORS & SPECIFICATIONS

LEDs are an integral part of the switch and not available separately. The electrical specifications shown are determined at a basic temperature of 25°C.



If the source voltage exceeds the rated voltage, a ballast resistor is required.

Where: R = Resistor Value (Ohms)
E = Source Voltage (V)
 V_F = Forward Voltage (V)
 I_F = Forward Current (A)

Single Element LED	Color	C Red	D Amber	F Green
Forward Peak Current	I_{FM}	30mA	25mA	25mA
Continuous Forward Current	I_F	20mA	20mA	20mA
Forward Voltage	V_F	1.85V	2.0V	2.25V
Reverse Peak Voltage	V_{RM}	5V	5V	5V
Current Reduction Rate Above 25°C	ΔI_F	0.38mA /°C	0.28mA /°C	0.40mA /°C
Ambient Temperature Range		-25° ~ +50°C		

EXTERNAL PLUG OPTIONS

C2 **AT021**
Assembled Connector Plug
with Wire Leads

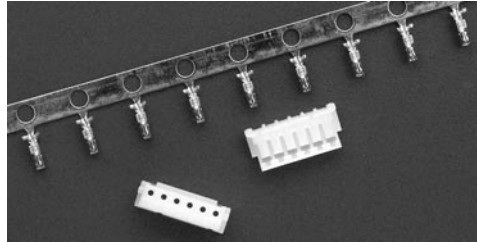
Connector plug body: JST model ZHR-6
Crimp connector pins: JST model SZH-002T-P0.5
Wire leads: 28-26AWG; 12-inch, unstripped;
Blue for Pin 1



C3 **AT022**
Unassembled Connector Plug
and Pins

1 connector plug and 8 crimp connector
pins only (no wire leads provided).

Matching wire leads: 28-26AWG



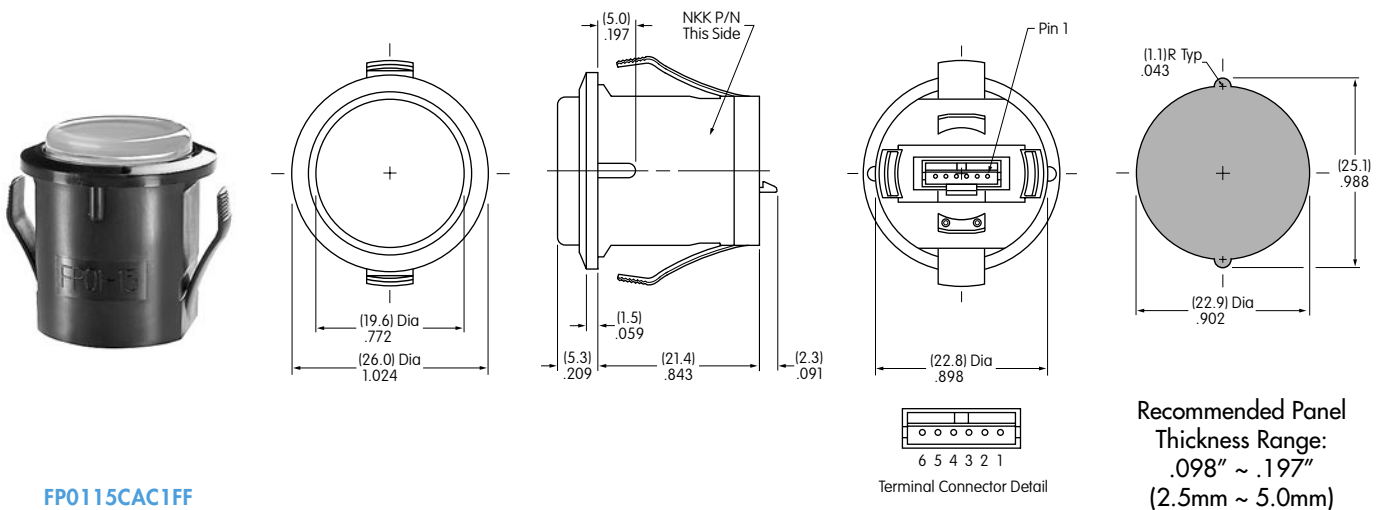
No Code

No Connector Plug

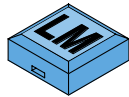
Recommended connector
plug for assembly:
JST model number ZHR-6

Recommended crimp
connector pins:
JST model SZH-002T-P0.5
for 28-26AWG wire leads
or SZH-003T-P0.5 for
32-28AWG wire leads.

TYPICAL SWITCH DIMENSIONS



LEGENDS



Easily create and submit your own legends using our new on-line Legend Maker.

Visit www.nkkswitches.com

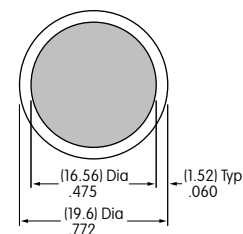
For other legend support options, customers may either contact the factory or utilize the general information and basic specifications presented below.

Suggested Printable Area for FP01 Cap



Recommended Methods:

Pad Print or Laser Etch on cap.
Epoxy based ink is recommended.



Shaded area is printable area.