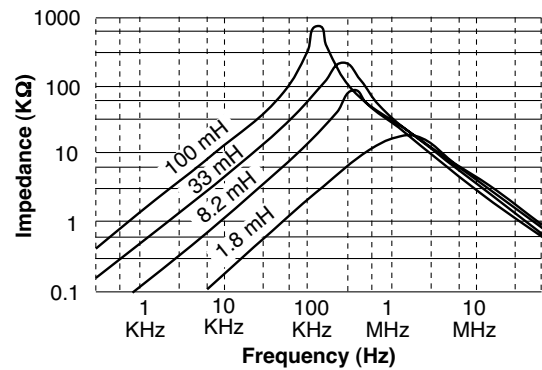


- Used as AC Power Line Filters in CTV, VTR, Audios, PC's, Facsimilies and Power Supply Applications
- UL940-V Recognized Materials
- Temperature Rise : 45°C Max.
- UL1446 Insulating System
- 2000 Vrms Isolation

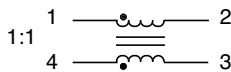
### Electrical Parameters @ 25° C

Part Number	Inductance (mH Min.) [Pins 1-2, 4-3]	Current Rating (A rms Max.)
EPZ3044H-182	1.8	1.5
EPZ3044H-272	2.7	1.1
EPZ3044H-562	5.6	0.8
EPZ3044H-682	6.8	0.7
EPZ3044H-103	10	0.6
EPZ3044H-183	18	0.5
EPZ3044H-223	22	0.4
EPZ3044H-333	33	0.3

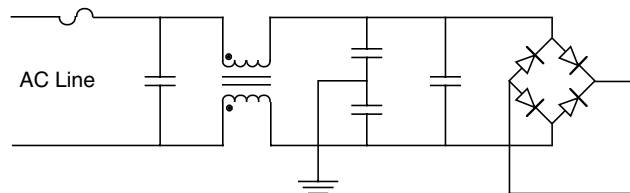
### Impedance Characteristics



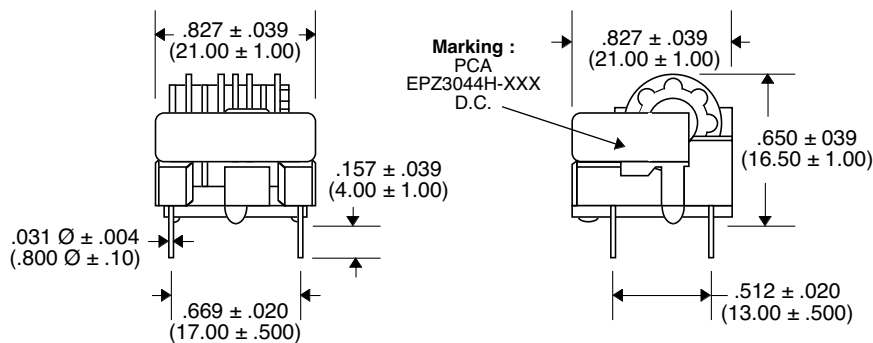
### Schematic



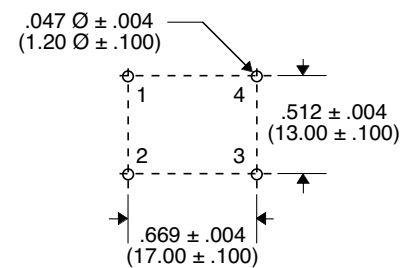
### Circuit Sample



### Package



### Recommended PWB Piercing Plan



Unless Otherwise Specified Dimensions are in Inches /mm ±.010 /25