

## EP198XX & EP198XX-RC

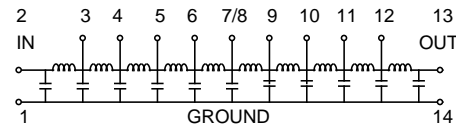
Add "-RC" after part number for RoHS Compliant

PCA Part Number	Zo (± 10%)	Delay (±5% or ± 2nS)	Tap Delays (nS)	Rise Time (nS Max.)	Atten. (% Max.)	PCA Part Number	Zo (± 10%)	Delay (±5% or ± 2nS)	Tap Delays (±5% or ± 2nS)	Rise Time (nS Max.)	Atten. (% Max.)
EP19830(-RC)	50	16	1.6 ± 0.6	3.0	1.6	EP19836(-RC)	100	60	6.0	11	2.0
EP6889(-RC)	50	20	2.0 ± 0.6	3.5	1.6	EP8476(-RC)	100	75	7.5	15	4.0
EP19831(-RC)	50	24	2.4 ± 0.6	4.5	1.6	EP19825(-RC)	100	100	10.0	17	4.0
EP19821(-RC)	50	50	5.0 ± 2	8.5	1.6	EP19826(-RC)	100	125	12.5	21	7.0
EP19822(-RC)	50	100	10.0 ± 2	17.0	3.8	EP19827(-RC)	100	150	15.0	25	8.0
EP19823(-RC)	50	125	12.5 ± 2	21.0	6.5	EP19828(-RC)	100	200	20.0	34	10.0
EP8684(-RC)	100	30	3.0 ± 0.6	5.5	2.0	EP19829(-RC)	100	250	25.0	42	12.0
EP19833(-RC)	100	35	3.5 ± 0.8	6.0	2.0	EP19838(-RC)	200	68	6.8	12	10.0
EP19834(-RC)	100	37	3.7 ± 0.8	6.0	2.0	EP19839(-RC)	200	75	7.5	13	10.0
EP7179(-RC)	100	40	4.0 ± 1	8.0	2.0	EP19840(-RC)	200	80	8.0	14	10.0
EP19835(-RC)	100	47	4.7 ± 1	8.0	2.0	EP19841(-RC)	200	95	9.5	17	10.0
EP19824(-RC)	100	50	5.0 ± 2	8.5	2.0	EP19842(-RC)	200	120	12.0	21	10.0

† Whichever is greater.

DC Electrical Characteristics	Min.	Max.	Unit
Distortion	---	± 10	%
Temperature Coefficient of Delay	---	100	PPM/°C
Insulation Resistance @ 100 Vdc	1000	---	Meg
Dielectric Strength	---	100	Vdc

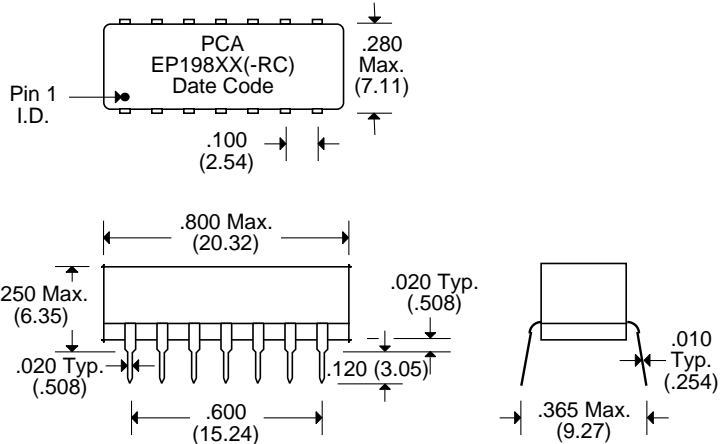
### Schematic



Recommended Operating Conditions	Min.	Max.	Unit
P <sub>W</sub> *	Pulse Width % of Total Delay	200	%
D*	Duty Cycle	40	%
T <sub>A</sub>	Operating Free-Air Temperature	0	+70 °C

\*These two values are inter-dependent.

### Package



Input Pulse Test Conditions @ 25° C	Unit			
V <sub>IN</sub>	Pulse Input Voltage	3.0	Volts	
P <sub>W</sub>	Pulse Width % of Total Delay	300	%	
T <sub>RI</sub>	Input Rise Time (10-90%)	2.0	nS	
P <sub>RR</sub>	Pulse Repetition Rate @ T <sub>d</sub>	150 nS	1.0	MHz
	Pulse Repetition Rate @ T <sub>d</sub> > 150 nS	300	KHz	

Notes :	EP198XX	EP198XX-RC
1. Lead Finish (Leadframe)	SnPb	Matte Tin
(Assembly Solder)	SnPb	SnPb (RoHS exemption 7a)
2. Peak Solder Rating	245°C	260°C
3. Moisture Sensitive Levels (MSL)	3 (168 hours, 30°C/60%RH)	4 (72 hours, 30°C/60%RH)
4. Weight	TBD grams	TBD grams
5. Packaging Information (Tube)	27 pieces/tube	27 pieces/tube

Unless Otherwise Specified Dimensions are in Inches /mm ± .010 / .25