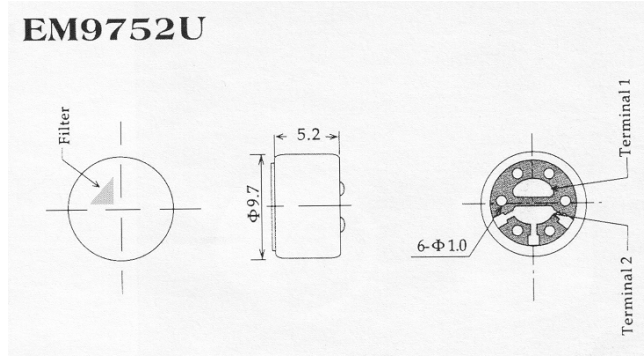
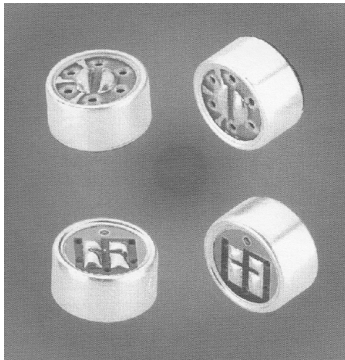


# Soberton Inc.

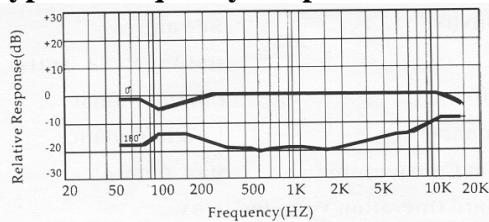
## EM9752U

*Unidirectional Electret Condenser Microphone*

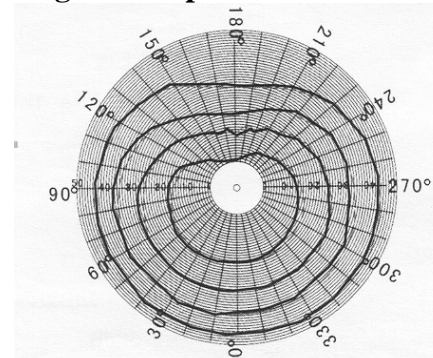


Sensitivity	0dB = 1V/Pa. 1KHz
Directivity	Noise Canceling
Impedance	Low Impedance
Current Consumption	Max. 0.5mA
Standard Operation Voltage	1.5V
Sensitivity Reduction	Within -3dB at 1V
S/N Ratio	More than 58dB
Sensitivity Range	-47± 4dB, -51 ± 4dB

### Typical Frequency Response Curve:



### Angular Response:



### Schematic Diagram:

