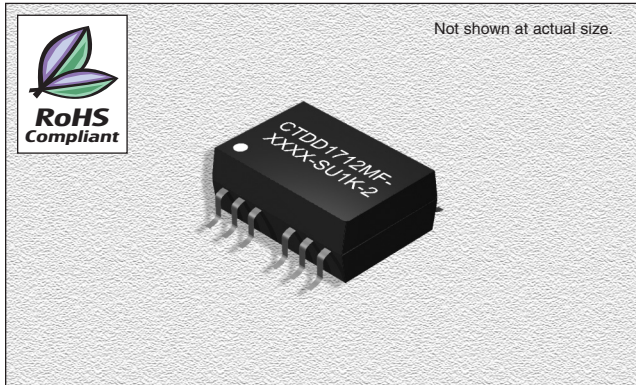


CTDD1712MF-SU1K-2 Series

Fixed Input Isolated & Unregulated
2W Single Output



FEATURES

- Efficiency:** To 85%
- Temperature Range:** -40°C to +85°C
- Isolation:** 1KVDC
- Package:** UL94-V0
- Miscellaneous:** SMD Package Style. Single Output Voltage. High Power Density. Industry Standard Pinout. No Heatsink Required. No External Components Required. Custom Service Available. Samples available.

CHARACTERISTICS

- Short Circuit Protection:** 1 second
- Temperature Rise at Full Load:** 25°C Max. 15°C Typ.
- Cooling:** Free air convection
- Operating Temperature Range:** -40°C to +85°C
- Storage Temperature Range:** -55°C to +125°C
- Lead Temperature:** 260°C
- Storage Humidity Range:** ≤ 95%
- Case Material:** Plastic (UL94-V0)
- MTBF:** >3,500,000 hours
- Miscellaneous:** RoHS Compliant.

SPECIFICATIONS

Part Number	Vin Nom. (VDC)	Vin Range (VDC)	Voltage Out (VDC)	Io Max. (mA)	Io Min. (mA)	Effi. Typ. (%)
CTDD1712MF-0505-SU1K-2	5	4.5-5.5	5	400	40	81
CTDD1712MF-0509-SU1K-2	5	4.5-5.5	9	222	23	82
CTDD1712MF-0512-SU1K-2	5	4.5-5.5	12	167	17	84
CTDD1712MF-0515-SU1K-2	5	4.5-5.5	15	133	14	84
CTDD1712MF-1205-SU1K-2	12	10.8-13.2	5	400	40	82
CTDD1712MF-1209-SU1K-2	12	10.8-13.2	9	222	23	83
CTDD1712MF-1212-SU1K-2	12	10.8-13.2	12	167	17	85
CTDD1712MF-1215-SU1K-2	12	10.8-13.2	15	133	14	85

ISOLATION SPECIFICATIONS

Item	Test Condition	MIN	TYP	MAX	Units
Isolation Voltage	Tested for 1 minute and 1mA Max.	1000			VDC
Isolation Resistance	Test at 500VDC	1000			MΩ

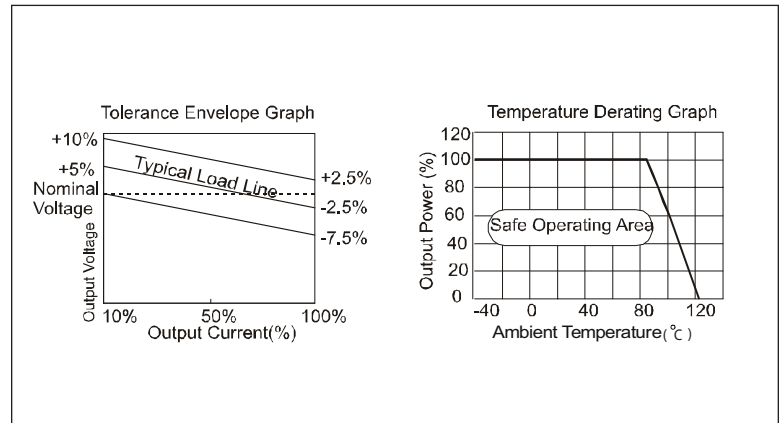
OUTPUT SPECIFICATIONS

Item	Test Condition	MIN	TYP	MAX	Units
Output Power		0.2		2	W
Line regulation	For Vin change of 1%			1.2	%
Load regulation	10% to 100% load (3.3V, 5V output)		12.8	15	%
Load regulation	10% to 100% load (9V output)		8.3	15	%
Load regulation	10% to 100% load (12V output)		6.8	15	%
Load regulation	10% to 100% load (15V output)		6.3	15	%
Output voltage accuracy	See tolerance envelope graph				
Temperature drift	100% full load			0.03	%/°C
Output ripple	20MHz Bandwidth		75	150	mVp-p
Noise	20MHz Bandwidth		150	250	mVp-p
Switching frequency	Full load, nominal input		70		KHz

Note:

1. All specifications measured at TA=25°C, humidity<75%, nominal input voltage and rated output load unless otherwise specified.

TYPICAL CHARACTERISTICS

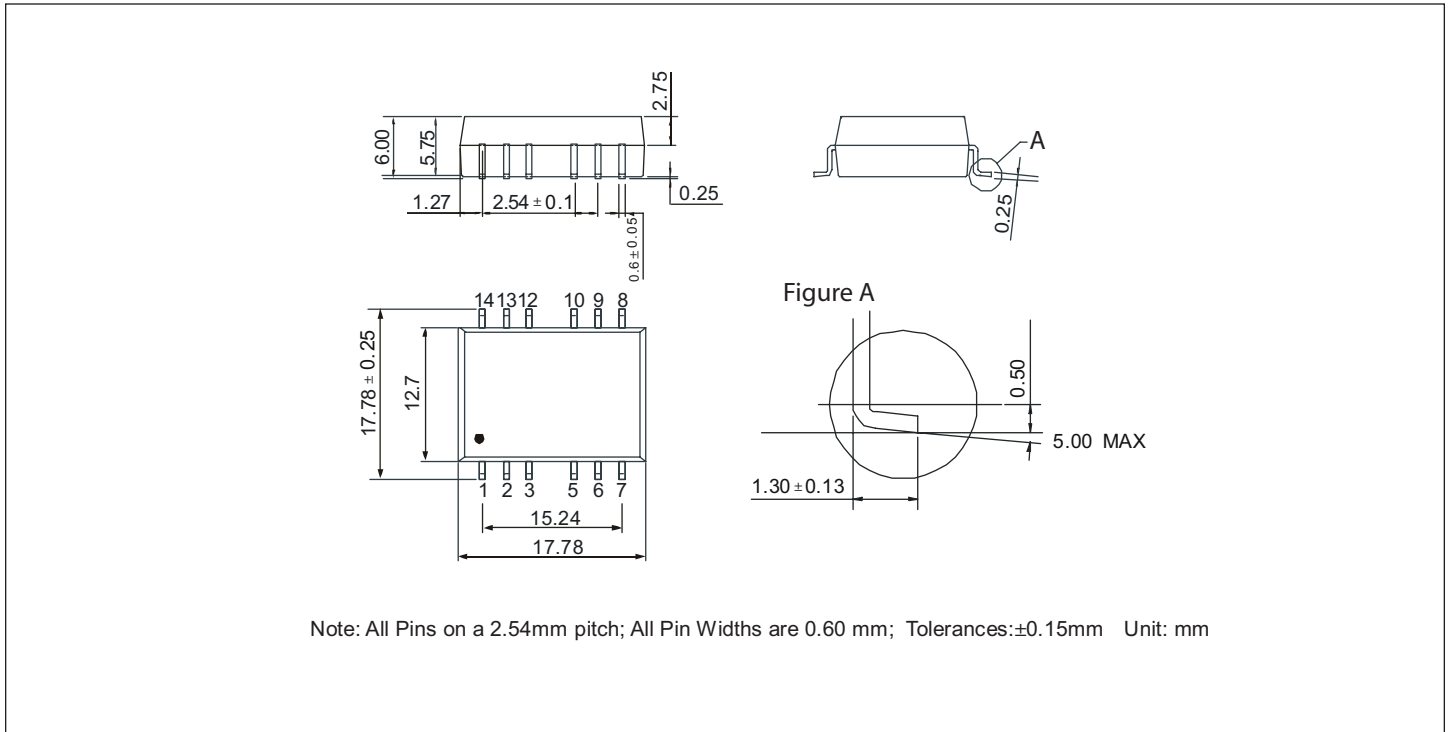


08.13.07

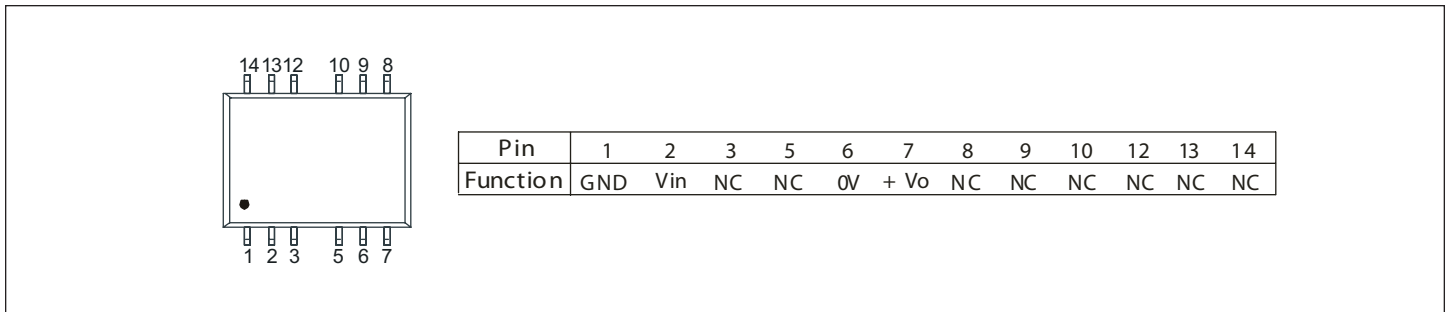
CTDD1712MF-SU1K-2 Series

Fixed Input Isolated & Unregulated
2W Single Output

OUTLINE DIMENSIONS & RECOMMENDED FOOTPRINT DETAILS



PIN CONNECTIONS



08.13.07