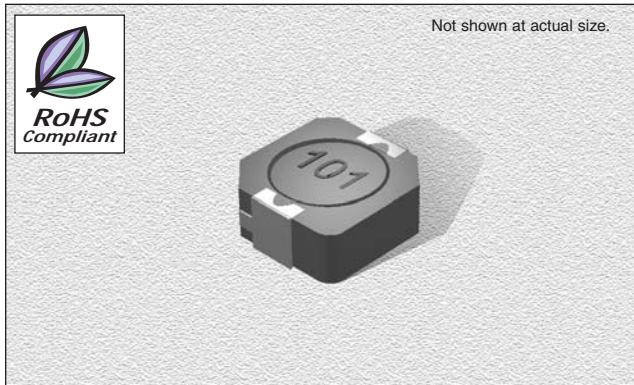


CTCDRH5D28RF Series

From 2.5 μH to 100 μH



CHARACTERISTICS

Description: SMD (shielded) power inductor

Applications: Power supplies for VTR, OA equipment, LCD televisions, PC notebooks, portable communication equipment, DC/DC converters, etc.

Operating Temperature: -30°C to +80°C

Inductance Tolerance: $\pm 30\%$

Testing: Tested on a HP4285A at 100 KHz, 0.25Vrms, 0Adc

Packaging: Tape & Reel

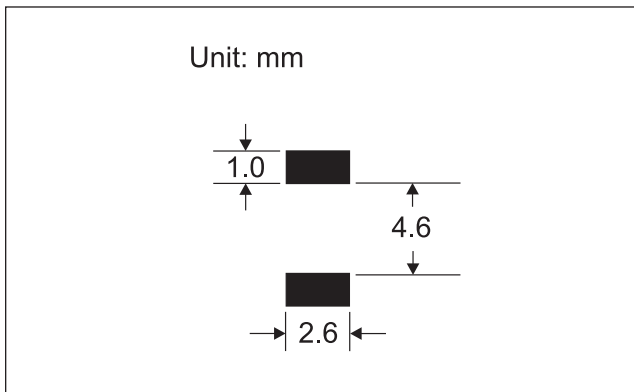
Marking: Parts are marked with inductance code

Miscellaneous: RoHS Compliant.

Additional Information: Additional electrical & physical information available upon request

Samples available. See website for ordering information.

PAD LAYOUT



SPECIFICATIONS

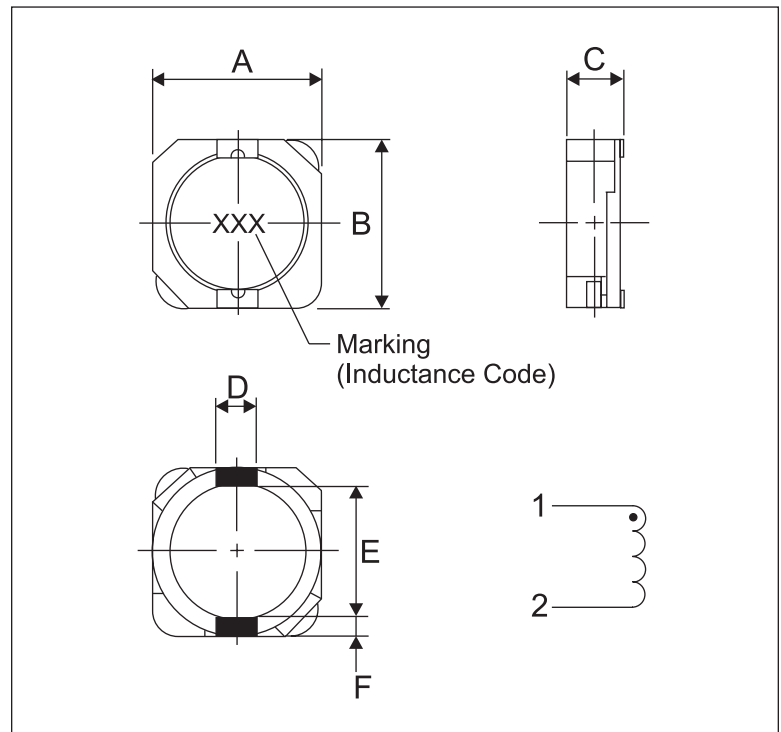
Parts are available in $\pm 30\%$ tolerance only.

*This IDC indicates the value of current when the inductance is 35% lower than the nominal value.

Part Number	Inductance ($\mu\text{H} \pm 30\%$)	L Test Freq. (kHz)	DCR Max. (m Ω)	*IDC (A)
CTCDRH5D28RF-2R5N	2.5	100	17.6	2.60
CTCDRH5D28RF-3R3N	3.3	100	20.3	2.30
CTCDRH5D28RF-4R0N	4.0	100	27.0	2.10
CTCDRH5D28RF-5R0N	5.0	100	31.1	1.85
CTCDRH5D28RF-6R0N	6.0	100	41.9	1.70
CTCDRH5D28RF-8R0N	8.0	100	49.9	1.50
CTCDRH5D28RF-100N	10	100	54.0	1.30
CTCDRH5D28RF-120N	12	100	71.6	1.20
CTCDRH5D28RF-150N	15	100	82.4	1.10
CTCDRH5D28RF-180N	18	100	101.5	1.05
CTCDRH5D28RF-220N	22	100	119.0	0.95
CTCDRH5D28RF-270N	27	100	146.0	0.85
CTCDRH5D28RF-330N	33	100	182.5	0.76
CTCDRH5D28RF-390N	39	100	209.5	0.68
CTCDRH5D28RF-470N	47	100	229.5	0.60
CTCDRH5D28RF-560N	56	100	305.0	0.55
CTCDRH5D28RF-680N	68	100	351.0	0.48
CTCDRH5D28RF-820N	82	100	418.5	0.45
CTCDRH5D28RF-101N	100	100	520.0	0.40

PHYSICAL DIMENSIONS

Size	A Max.	B Max.	C Max.	D	E	F
mm	6.3	6.2	3.0	2.0	4.7	0.6
inches	0.248	0.246	0.118	0.079	0.185	0.024



11.02.07