

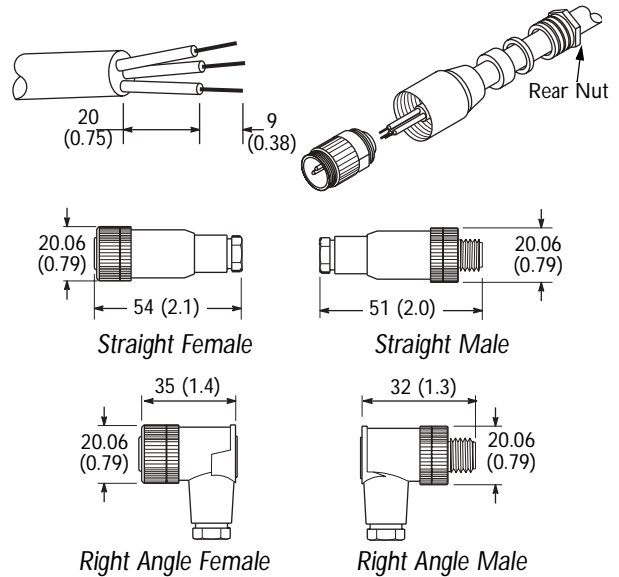
Connection Systems  
**Field Attachable Connectors**  
 Screw Terminal Connector, DC Micro Style



**Specifications**

Coupling Nut	Nickel-plated brass
Connector Shell	Nylon
Contacts	Gold-plated palladium nickel
Maximum Wire Size	18AWG (0.75mm <sup>2</sup> )
Enclosure	NEMA 6; IP67 (IEC 529)
Temperature	-40°C to 90°C (-40°F to 194°F)

**Approximate Dimensions—mm (inches)**



**Features**

- Field installable
- 4- or 5-pin DC micro style
- Straight or right angle versions
- Screw terminals provide simple and secure installation
- Allows easy modification of existing cable installations

Dimensions are approximate. Illustrations are not drawn to scale.

**Product Selection**

Style	Cable Diameter mm (inches)	Rating	Face View		Catalogue Number	
			Female	Male	Female	Male
Straight	4.0-6.0 (0.16-0.24)	250V 4A			871A-TS4-D	871A-TS4-DM
	6.0-8.0 (0.24-0.32)				871A-TS4-D1	871A-TS4-DM1
Right Angle	4.0-6.0 (0.16-0.24)				871A-TR4-D	871A-TR4-DM
Straight	6.0-8.0 (0.24-0.32)				871A-TS5-D1	871A-TS5-DM1
			Right Angle	871A-TR5-D1	871A-TR5-DM1	