

SPECIFICATIONS

Electrical Ratings	100mA @ 48VDC See Contact Options
Electrical Life	100,000 cycles typical
Contact Resistance	< 50 mΩ initial
Actuation Force	200 +/- 50gF
Actuator Travel	2.5 +/- .3mm
Dielectric Strength	1000Vrms min
Insulation Resistance	> 100MΩ min
Operating Temperature	-40°C to 85°C
Storage Temperature	-40°C to 85°C



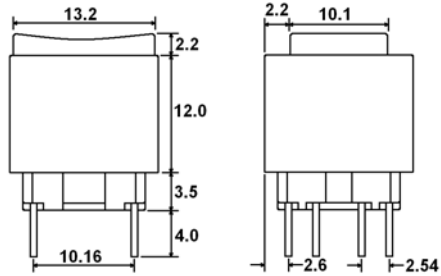
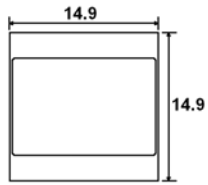
MATERIALS ←RoHS COMPLIANT

Actuator	Acetal
Housing	6/6 Nylon
Cover / Cap	6/6 Nylon
Contacts	Silver or Gold plated copper alloy
Terminals	Silver or Gold plated copper alloy

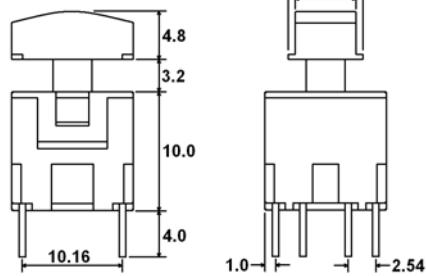
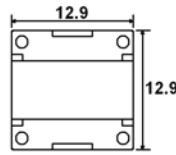
ORDERING INFORMATION

1. Series:	820	L	R	B	2	E2	2	R	G
820									
2. Latching Option:									
N = Momentary									
L = Latching									
3. Contact Options:									
Q = Silver									
R = Gold									
4. Cap Style:									
A = Large Cap									
B = Small Cap									
5. Cap Color:									
1 = White 5 = Green									
2 = Black 6 = Orange									
3 = Red 7 = Blue									
4 = Yellow 9 = Light Gray									
6. Cover Style: **ONLY AVAILABLE WITH "B SMALL CAP"									
SS = Standard Cover									
ES = Extended Cover									
E1 = Extended Cover with 1 LED									
E2 = Extended Cover with 2 LEDs									
7. Cover Color:									
1 = White 5 = Green									
2 = Black 6 = Orange									
3 = Red 7 = Blue									
4 = Yellow 9 = Light Gray									
8. LED 1 - Color:									
Blank = No LED									
R = Red									
Y = Yellow									
G = Green									
9. LED 2 - Color:									
Blank = No LED									
R = Red									
Y = Yellow									
G = Green									

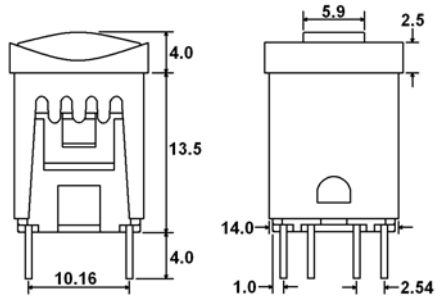
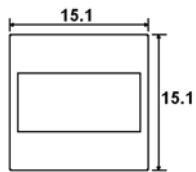
DIMENSIONS



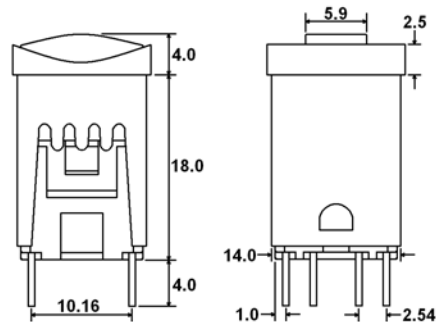
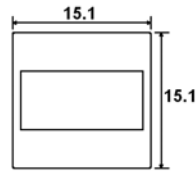
A - CAP



B - CAP

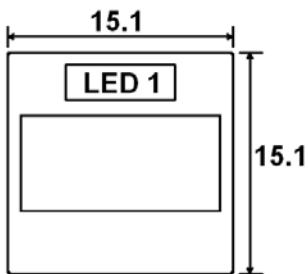


B - CAP with SS - COVER

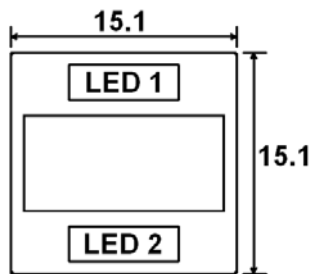


B - CAP with ES - COVER

LED POSITIONS

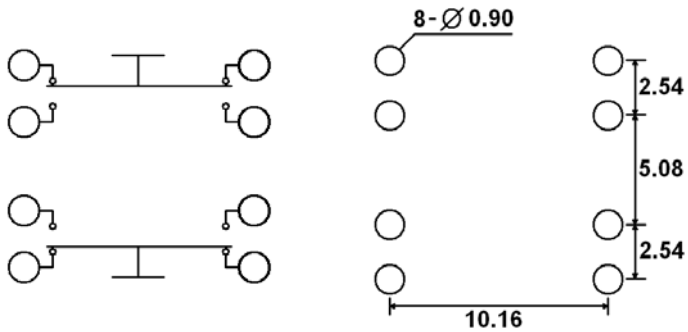


ONE LED

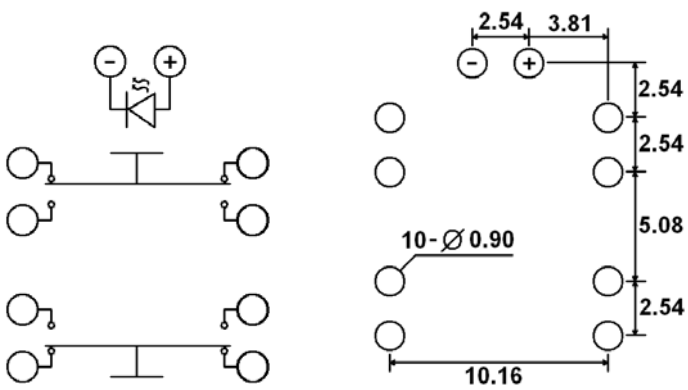


TWO LEDs

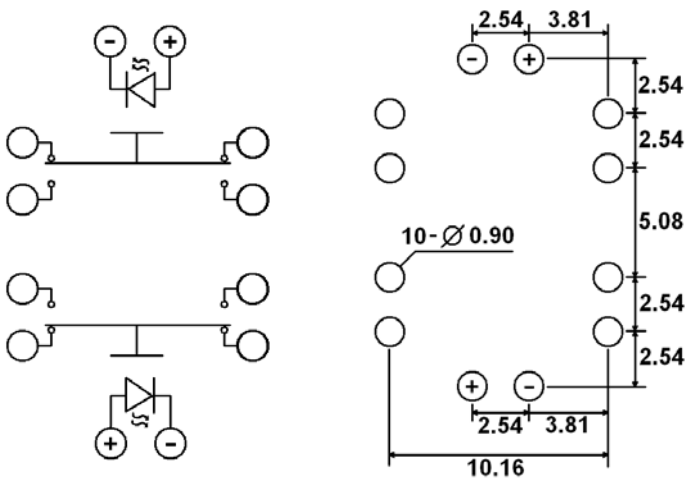
SCHEMATICS & PC LAYOUTS



NO LED



ONE LED



TWO LEDs