

**FEATURES**

- ① 2 Watt Output
- ② Up to 80% Efficiency
- ③ Momentary Short Circuit Protection
- ④ 6-Pin SIP Package

**GENERAL SPECIFICATIONS**

- Efficiency ..... 70% Typ.
- Switching Frequency ..... 50KHz min.
- Isolation Voltage ..... 1000Vdc min.
- Operating Temperature ..... 0 to +70°C

# 2.00 WATT SIP DC/DC CONVERTERS

## 1000Vdc ISOLATION

**INPUT SPECIFICATIONS**

- Voltage ..... Per Table Vdc
- Voltage Range ..... ±10%
- Input Filter ..... Cap

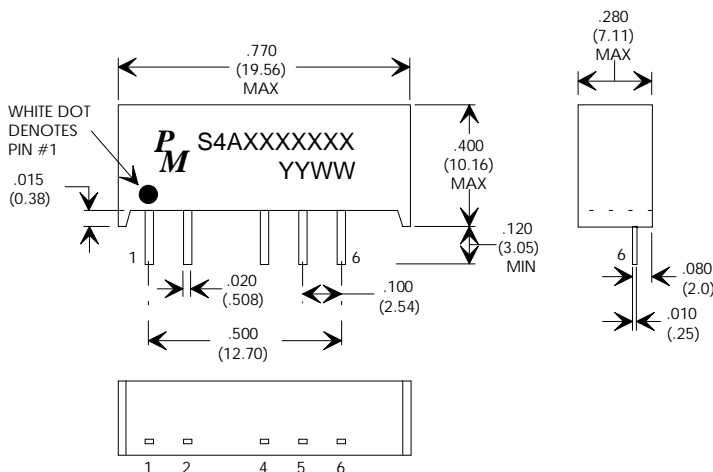
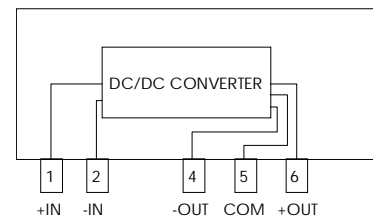
**OUTPUT SPECIFICATIONS**

- Voltage ..... Per Table
- Voltage Accuracy ..... ±5%
- Ripple & Noise 20MHz BW ..... 150mV p-p
- Line Regulation..... 1.2%/1% of Vin
- Load Regulation ..... ±10%

**ELECTRICAL SPECIFICATIONS AT 25°C - OPERATING TEMPERATURE RANGE 0°C TO 70°C**

| PART NUMBER | INPUT VOLTAGE (Vdc) | OUTPUT VOLTAGE (Vdc) | OUTPUT CURRENT (mA max.) |
|-------------|---------------------|----------------------|--------------------------|
| S4AD050520  | 5                   | + 5                  | + 200                    |
| S4AS050922  | 5                   | 9                    | 220                      |
| S4AD051208  | 5                   | + 12                 | + 85                     |
| S4AD051506  | 5                   | + 15                 | + 65                     |
|             |                     |                      |                          |
| S4AD120520  | 12                  | + 5                  | + 200                    |
| S4AD121208  | 12                  | + 12                 | + 85                     |
| S4AD121506  | 12                  | + 15                 | + 65                     |
|             |                     |                      |                          |
|             |                     |                      |                          |
|             |                     |                      |                          |

| PART NUMBER | INPUT VOLTAGE (Vdc) | OUTPUT VOLTAGE (Vdc) | OUTPUT CURRENT (mA max.) |
|-------------|---------------------|----------------------|--------------------------|
| S4AD240520  | 24                  | + 5                  | + 200                    |
| S4AD241208  | 24                  | + 12                 | + 85                     |
| S4AD241506  | 24                  | + 15                 | + 65                     |
| S4AS241512  | 24                  | 15 +                 | 130                      |
|             |                     |                      |                          |
|             |                     |                      |                          |
|             |                     |                      |                          |
|             |                     |                      |                          |
|             |                     |                      |                          |
|             |                     |                      |                          |

**"S4" PACKAGE**
**SCHEMATIC**
**PHYSICAL DIMENSIONS .... DIMENSIONS IN mm (inches)**

**SCHEMATIC DIAGRAM**


| PIN NUMBER | DUAL OUTPUT | SINGLE OUTPUT |
|------------|-------------|---------------|
| 1          | +INPUT      | +INPUT        |
| 2          | -INPUT      | -INPUT        |
| 3          | OMITTED     | OMITTED       |
| 4          | -Vout       | N.C.          |
| 5          | 0 Vout      | -Vout         |
| 6          | +Vout       | +Vout         |

Specifications subject to change without notice.

s4ax 10/97