



RPU/RPO Specials

Pressure sensors with special fittings

FEATURES

- 0...50 mbar to 0...16 bar, 0.5 psi to 250 psi, gage or differential pressures
- High impedance bridge
- Miniature packages
- Different pinning configurations
- Usable for wet/wet applications¹

MEDIA COMPATIBILITY¹

All media compatible with

- port 1: - polyetherimide
- silver-filled silicone
- silicon nitride
- port 2: - polyetherimide
- fluor-silicone
- silicon



SPECIFICATIONS and PRESSURE SENSOR CHARACTERISTICS

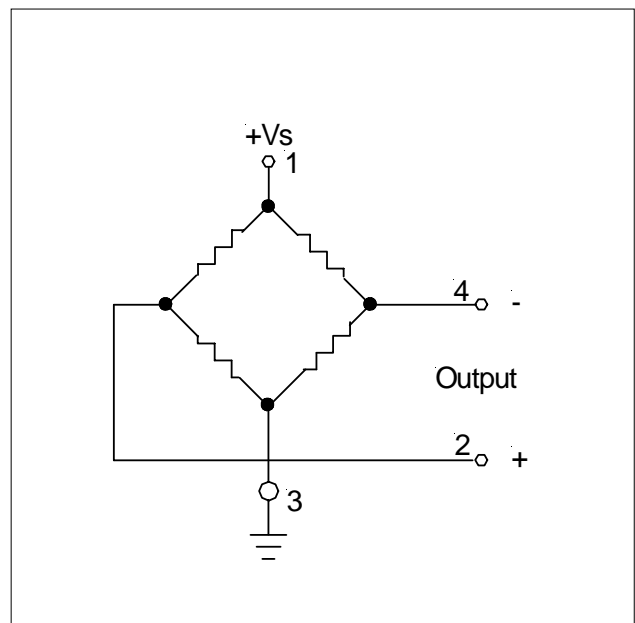


See individual data sheets for RPU and RPO series

Specification notes:

1. P1 of all "gage" devices are normally vented to atmosphere. P1 and P2 of differential devices might be used for "wet-wet" applications, but the media must be compatible with the materials specified under "MEDIA COMPATIBILITY".

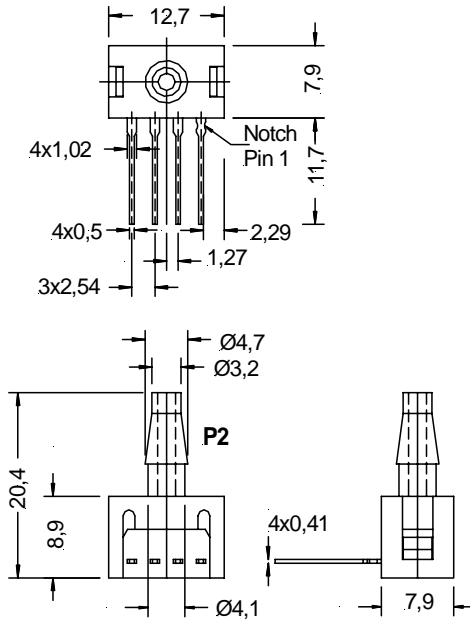
ELECTRICAL CONNECTION





OUTLINE DRAWINGS FOR GAGE DEVICES

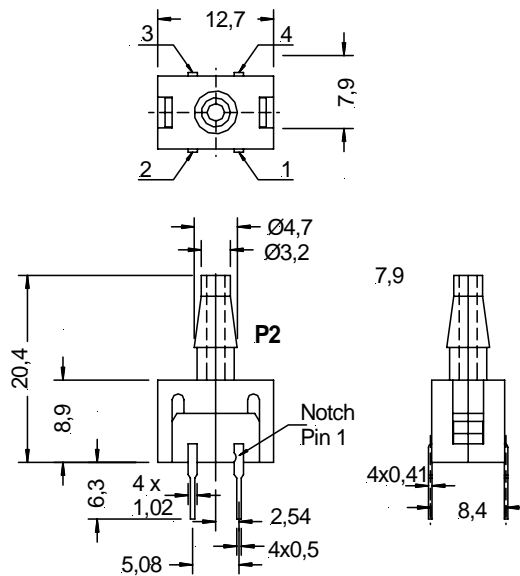
RP...G6B
(Barbed, pinning 1 x 4)



mass: 2 g

third angle projection
dimensions in mm

RP...G2B
(Barbed, pinning 2 x 2)



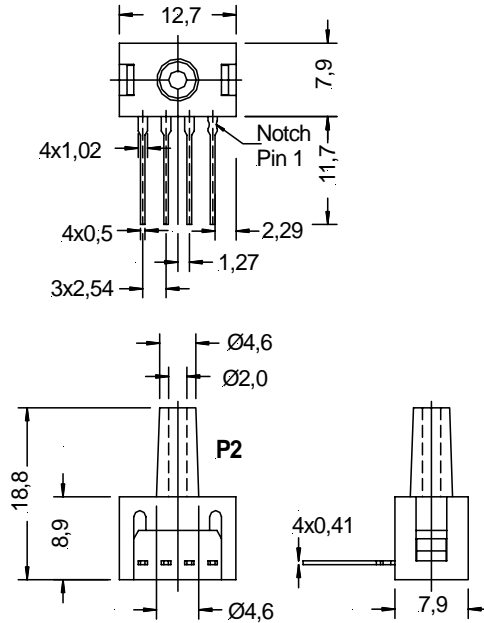
mass: 2 g

third angle projection
dimensions in mm



OUTLINE DRAWINGS FOR GAGE DEVICES

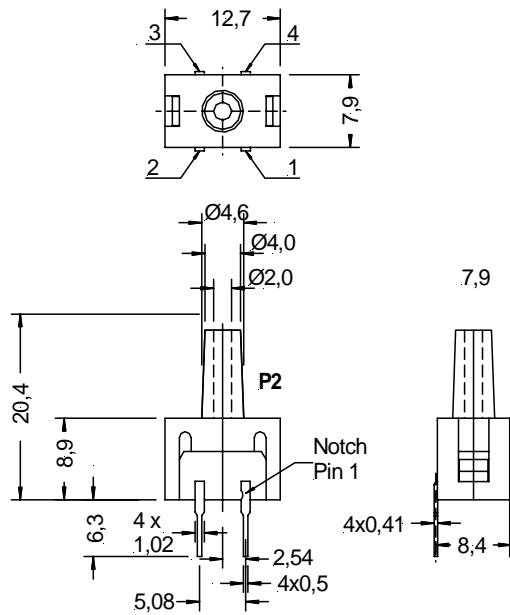
RP...G6C
(Luer, pinning 1 x 4)



mass: 2 g

third angle projection
dimensions in mm

2RP...G2C
(Luer, pinning 2 x 2)



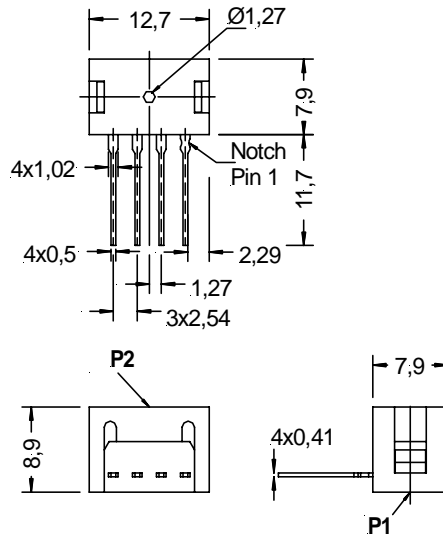
mass: 2 g

third angle projection
dimensions in mm

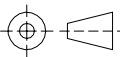


OUTLINE DRAWINGS FOR GAGE DEVICES

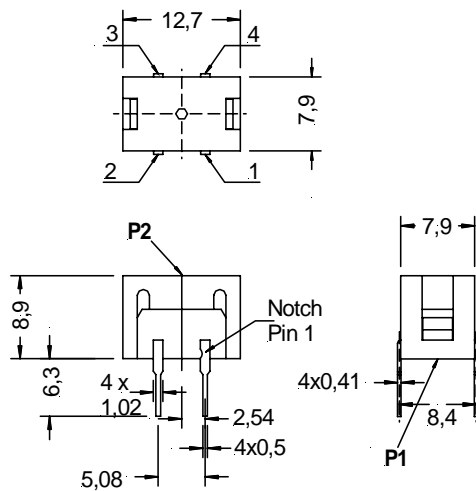
RP...G6D
(Modular, pinning 1 x 4)



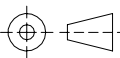
mass: 2 g


third angle projection
dimensions in mm

RP...G2D
(Modular, pinning 2 x 2)



mass: 2 g

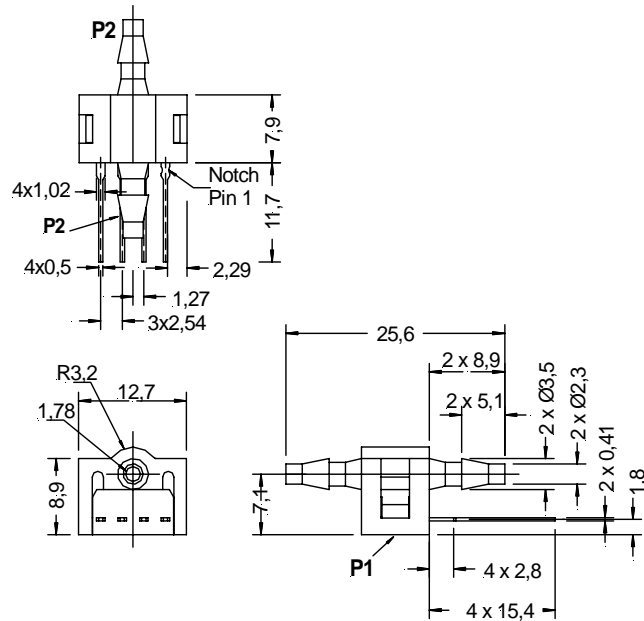

third angle projection
dimensions in mm



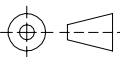
OUTLINE DRAWINGS FOR FLOW THROUGH HOUSINGS

RP...G6G

(Barbed, pinning 1 x 4)

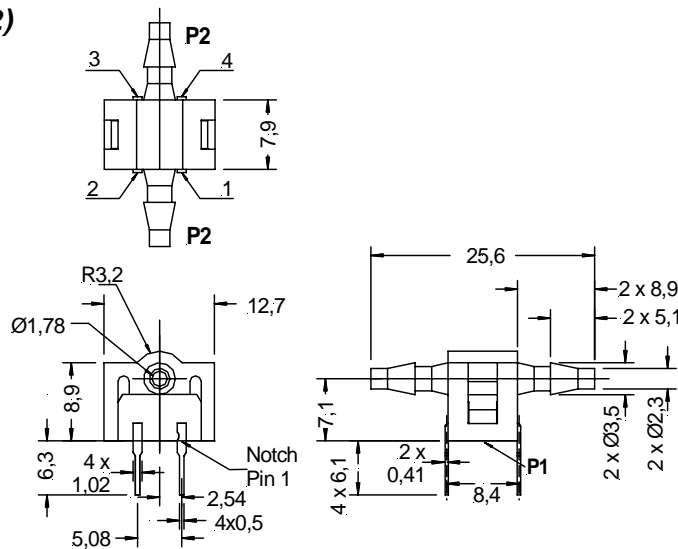


mass: 2 g

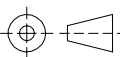

third angle projection
dimensions in mm

RP...G2G

(Barbed, pinning 2 x 2)



mass: 2 g

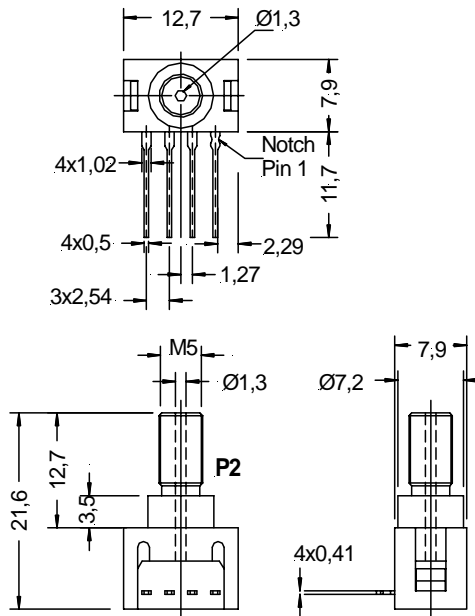

third angle projection
dimensions in mm

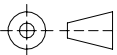


OUTLINE DRAWINGS FOR GAGE DEVICES

RP...G6H
(M5 thread, pinning 1 x 4)

Tightening torque³:
Max. 67 Ncm

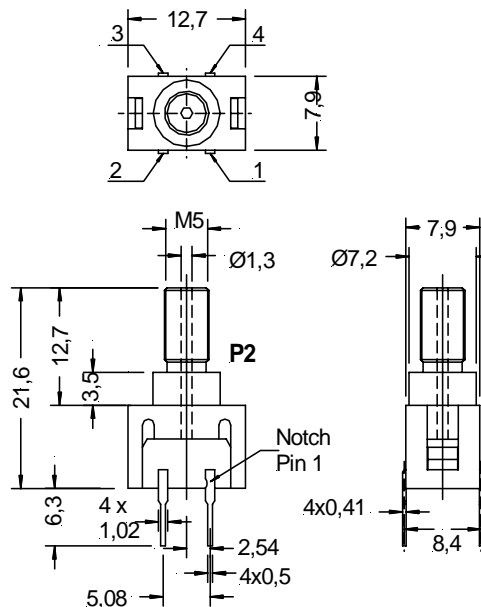


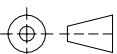

third angle projection
dimensions in mm

mass: 2 g

RP...G2H
(M5 thread, pinning 2 x 2)

Tightening torque³:
Max. 67 Ncm




third angle projection
dimensions in mm

mass: 2 g

Specification note:

3. Recommended O-ring: $\varnothing 3,68 \times 1,78$, SH70, recommended counter bore dimensions: $\varnothing 7,62 \times 1,02$ deep

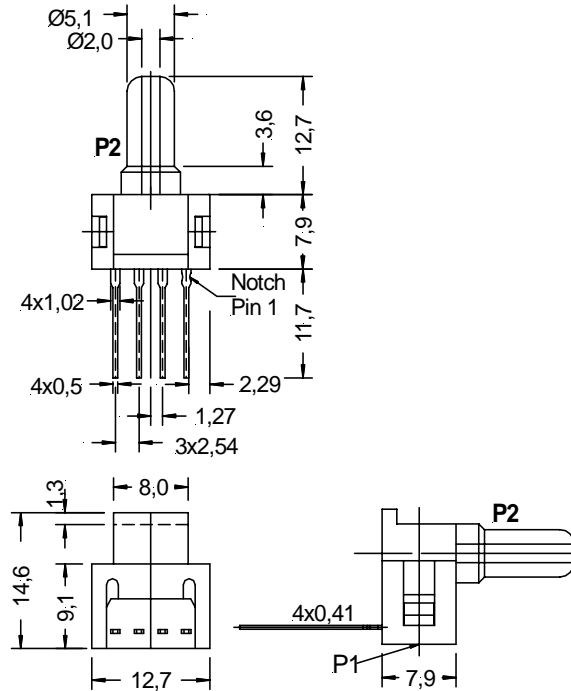


RPU/RPO Specials

Pressure sensors with special fittings

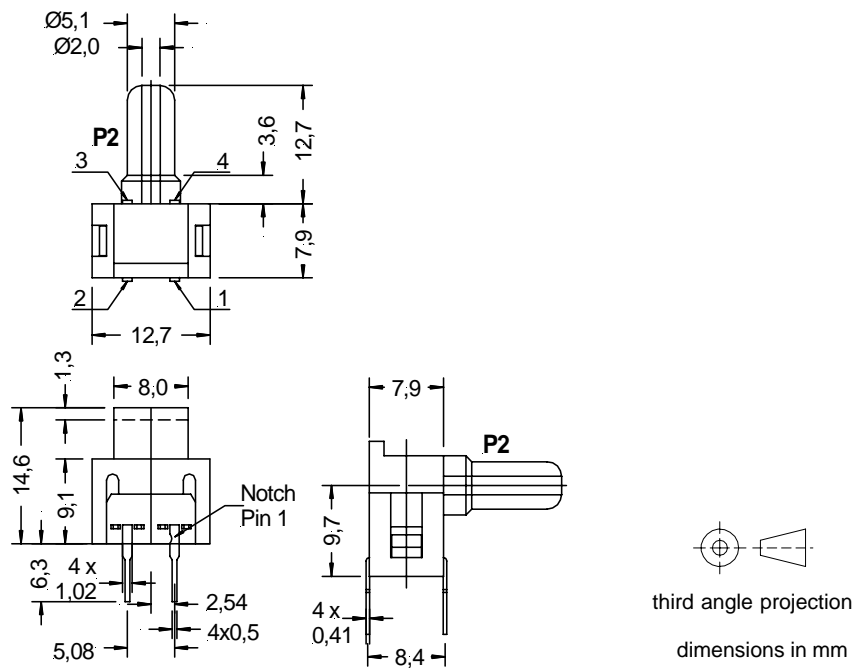
OUTLINE DRAWINGS FOR GAGE DEVICES

RP...G6I
(90° port, pinning 1 x 4)



mass: 2 g

RP...G2I
(90° port, pinning 2 x 2)

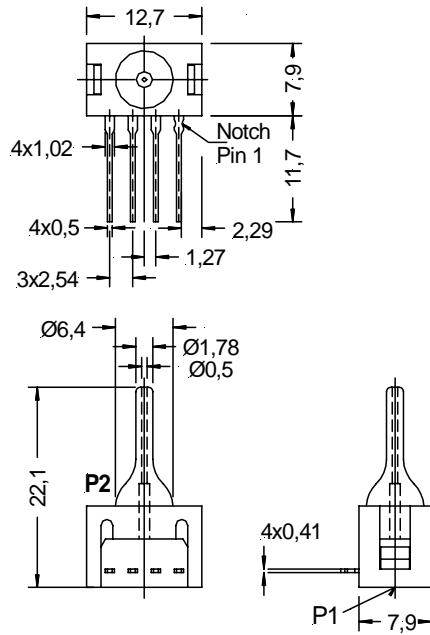


mass: 2 g

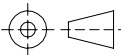


OUTLINE DRAWINGS FOR GAGE DEVICES

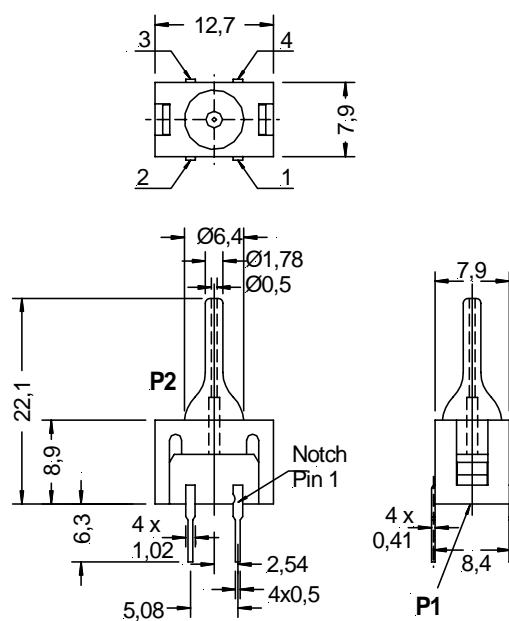
RP...G6J
(Needle, pinning 1 x 4)



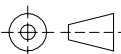
mass: 2 g


third angle projection
dimensions in mm

RP...G2J
(Needle, pinning 2 x 2)



mass: 2 g


third angle projection
dimensions in mm



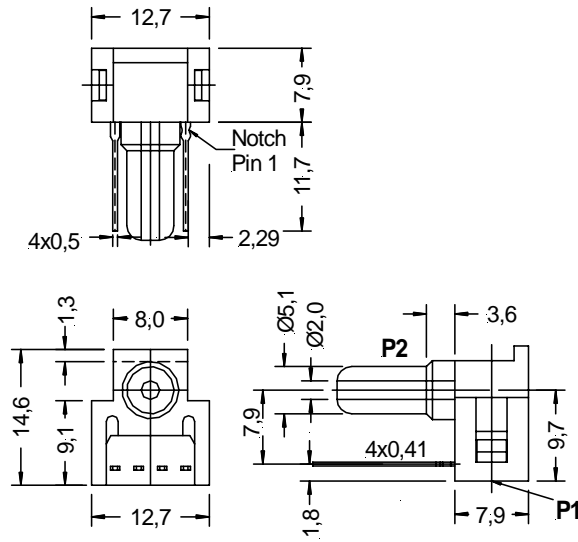
RPU/RPO Specials

Pressure sensors with special fittings

OUTLINE DRAWINGS FOR GAGE DEVICES

RP...G6K

(Inverse 90° port, pinning 1 x 4)

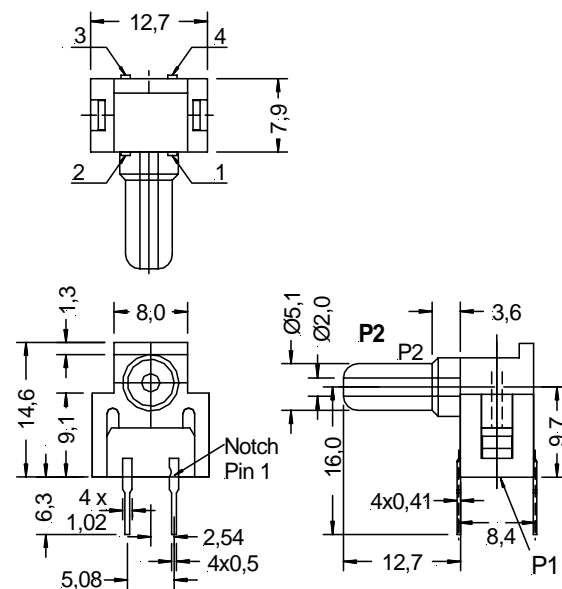


mass: 2 g

third angle projection
dimensions in mm

RP...G2K

(Inverse 90° port, pinning 2 x 2)



mass: 2 g

third angle projection
dimensions in mm

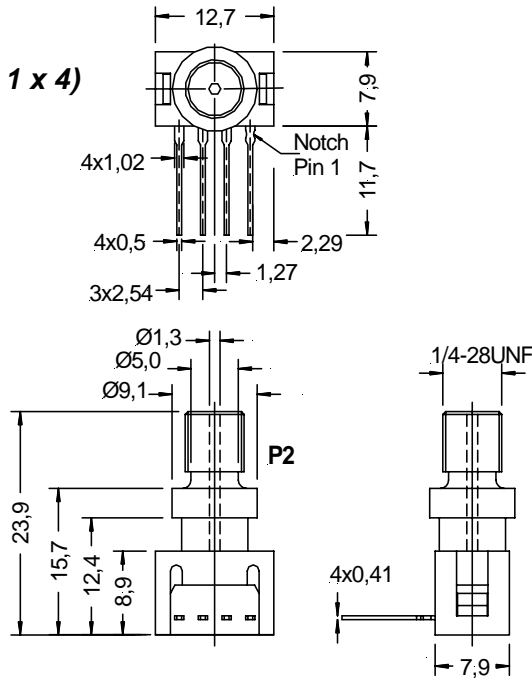


OUTLINE DRAWINGS FOR GAGE DEVICES

RP...G6M

(1/4-28 UNF thread, pinning 1 x 4)

Tightening torque³:
Max. 135 Ncm



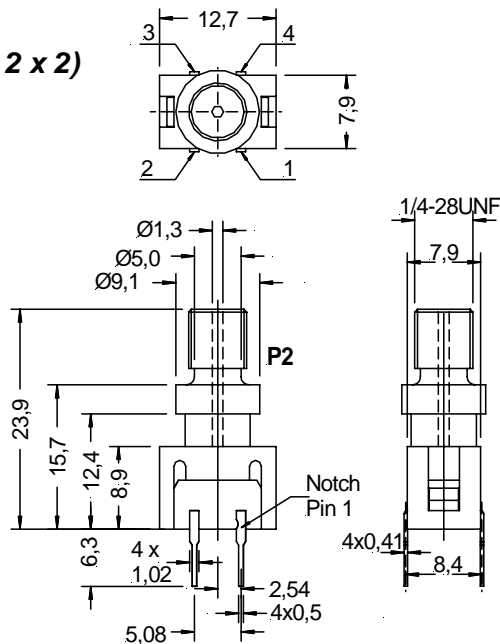
mass: 2 g

third angle projection
dimensions in mm

RP...G2M

(1/4-28 UNF thread, pinning 2 x 2)

Tightening torque³:
Max. 135 Ncm



mass: 2 g

third angle projection
dimensions in mm

Specification note:

3. Recommended O-ring: \varnothing 5,28 x 1,78, SH70, recommended counter bore dimensions: \varnothing 9,14 x 1,78 deep

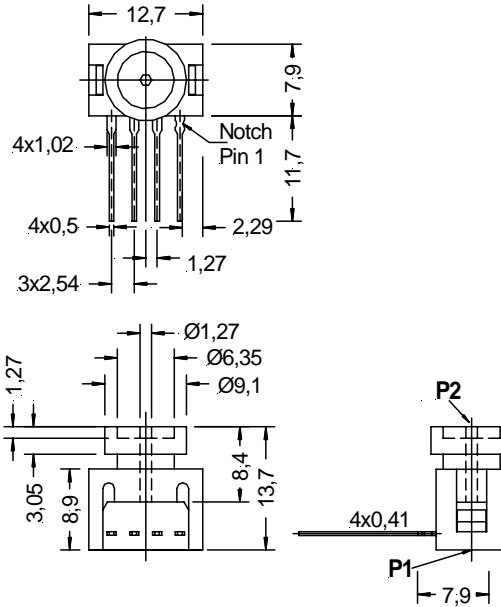


RPU/RPO Specials

Pressure sensors with special fittings

OUTLINE DRAWINGS FOR GAGE DEVICES

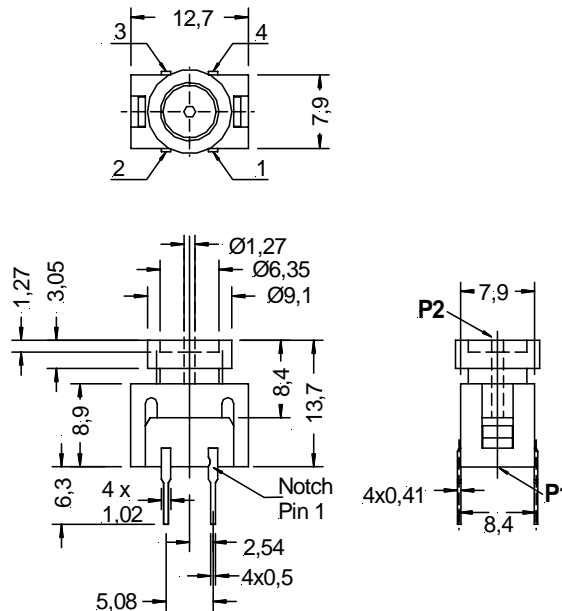
RP...G6S
(Manifold, pinning 1 x 4)



mass: 2 g

third angle projection
dimensions in mm

RP...G2S
(Manifold, pinning 2 x 2)



mass: 2 g

third angle projection
dimensions in mm



RPU/RPO Specials

Pressure sensors with special fittings

ORDERING INFORMATION - AVAILABLE LISTINGS

Note: Preferred listings are highlighted in grey

BARBED PRESSURE PORT (R P . . . B)				
Pressure range	Uncompensated / Gage pressure		Compensated / Gage pressure	
	Single inline pinning	Dual inline pinning	Single inline pinning	Dual inline pinning
35 mbar	-	RPUM035G2B		
50 mbar	RPUM050G6B	RPUM050G2B	-	-
100 mbar	RPUM100G6B	RPUM100G2B	-	-
250 mbar	RPUM250G6B	RPUM250G2B	RPOM250G6B	
1 bar	-	-	RPOB001G6B	RPOB001G2B
2 bar	-	-	RPOB002G6B	RPOB002G2B
5 bar	RPUB005G6B	-	-	-
10 bar	RPUB010G6B	-	-	-
16 bar	RPUB016G6B	-	-	-
0.5 psi	RPUP0X5D6B	RPUP0X5G2B		
1 psi	RPUP001G6B	RPUP001G2B	-	-
5 psi	RPUP005G6B	RPUP005G2B	RPOP005G6B	
15 psi	-	-	RPOP015G6B	RPOP015G2B
30 psi	RPUP030D6B	-	RPOP030G6B	RPOP030G2B
60 psi	-	-	-	-
100 psi	RPUP100G6B	-	-	-
250 psi	RPUP250G6B	-	-	-

LUER PRESSURE PORT (R P . . . C)				
Pressure range	Uncompensated / Gage pressure		Compensated / Gage pressure	
	Single inline pinning	Dual inline pinning	Single inline pinning	Dual inline pinning
35 mbar	-	-	-	-
50 mbar	-	-	-	RPOM050G2C
100 mbar	-	-	-	RPOM100G2C
250 mbar	-	-	-	-
1 bar	-	-	-	-
2 bar	-	-	-	-
5 bar	-	-	-	-
10 bar	-	-	-	-
16 bar	-	-	-	-
0.5 psi	-	-	-	-
1 psi	-	-	-	RPOP001G2C
5 psi	-	-	-	-
15 psi	-	-	-	-
30 psi	-	-	-	-
60 psi	-	-	-	-
100 psi	-	-	-	-
250 psi	-	-	-	-



RPU/RPO Specials

Pressure sensors with special fittings

ORDERING INFORMATION - AVAILABLE LISTINGS (cont.)

Note: Preferred listings are highlighted in grey

MODULAR PRESSURE PORT (R P . . . D)				
Pressure range	Uncompensated / Gage pressure		Compensated / Gage pressure	
	Single inline pinning	Dual inline pinning	Single inline pinning	Dual inline pinning
35 mbar	-	-	-	-
50 mbar	-	-	-	-
100 mbar	-	-	-	-
250 mbar	-	-	-	-
1 bar	R PUB001G6D	-	-	-
2 bar	-	-	-	-
5 bar	-	-	-	-
10 bar	-	-	-	-
16 bar	-	-	-	-
0.5 psi	-	-	-	-
1 psi	-	-	-	-
5 psi	-	-	-	-
15 psi	R PUP015G6D	-	-	-
30 psi	-	-	-	-
60 psi	-	-	-	-
100 psi	-	-	-	-
250 psi	-	-	-	-

SMALL FLOW THROUGH PRESSURE PORT (R P . . . G)				
Pressure range	Uncompensated / Gage pressure		Compensated / Gage pressure	
	Single inline pinning	Dual inline pinning	Single inline pinning	Dual inline pinning
35 mbar	-	-	-	-
50 mbar	-	-	R POM050G6G	-
100 mbar	-	-	R POM100G6G	-
250 mbar	-	-	-	R POM250G2G
1 bar	-	-	R POB001G6G	-
2 bar	-	-	R POB002G6G	R POB002G2G
5 bar	-	-	R POB005G6G	-
10 bar	-	-	-	-
16 bar	-	-	-	-
0.5 psi	-	-	-	-
1 psi	-	-	R POP001G6G	-
5 psi	-	-	-	R POP005G2G
15 psi	-	-	R POP015G6G	-
30 psi	-	-	R POP030G6G	R POP030G2G
60 psi	-	-	-	-
100 psi	-	-	R POP100G6G	-
250 psi	-	-	-	-



RPU/RPO Specials

Pressure sensors with special fittings

ORDERING INFORMATION - AVAILABLE LISTINGS (cont.)

Note: Preferred listings are highlighted in grey

M 5 T H R E A D P R E S S U R E P O R T (R P . . . H)				
Pressure range	Uncompensated / Gage pressure		Compensated / Gage pressure	
	Single inline pinning	Dual inline pinning	Single inline pinning	Dual inline pinning
35 mbar	-	-	-	-
50 mbar	-	-	RPOM050G6H	RPOM050G2H
100 mbar	-	-	RPOM100G6H	RPOM100G2H
250 mbar	-	-	RPOM250G6H	-
1 bar	R PUB001G6H	R PUB001G2H	R POB001G6H	-
2 bar	-	-	-	-
5 bar	R PUB005G6H	R PUB005G2H	R POB005G6H	R POB005G2H
10 bar	R PUB010G6H	-	-	-
16 bar	R PUB016G6H	-	-	-
0.5 psi	-	-	-	-
1 psi	-	-	R POP001G6H	R POP001G2H
5 psi	-	-	R POP005G6H	-
15 psi	R PUP015G6H	R PUP015G2H	R POP015G6H	-
30 psi	-	-	-	-
60 psi	-	-	-	-
100 psi	R PUP100G6H	R PUP100G2H	R POP100G6H	R POP100G2H
250 psi	R PUP250G6H	-	-	-

N E E D L E P R E S S U R E P O R T (R P . . . J)				
Pressure range	Uncompensated / Gage pressure		Compensated / Gage pressure	
	Single inline pinning	Dual inline pinning	Single inline pinning	Dual inline pinning
35 mbar	R PUM035G6J	-	-	-
50 mbar	R PUM050G6J	R PUM050G2J	-	-
100 mbar	-	R PUM100G2J	-	-
250 mbar	-	-	-	-
1 bar	-	-	R POB001G6J	-
2 bar	-	-	R POB002G6J	-
5 bar	-	-	R POB005G6J	-
10 bar	-	-	-	-
16 bar	-	-	-	-
0.5 psi	R PUP0X5G6J	-	-	-
1 psi	R PUP001G6J	R PUP001G2J	-	-
5 psi	-	-	-	-
15 psi	-	-	R POP015G6J	-
30 psi	-	-	R POP030G6J	-
60 psi	-	-	-	-
100 psi	-	-	R POP100G6J	-
250 psi	-	-	-	-



RPU/RPO Specials

Pressure sensors with special fittings

ORDERING INFORMATION - AVAILABLE LISTINGS (cont.)

Note: Preferred listings are highlighted in grey

REVERSE 90° PRESSURE PORT (RP...K)				
Pressure range	Uncompensated / Gage pressure		Compensated / Gage pressure	
	Single inline pinning	Dual inline pinning	Single inline pinning	Dual inline pinning
35 mbar	-	-	-	-
50 mbar	-	-	-	RPOM050G2K
100 mbar	-	-	-	RPOM100G2K
250 mbar	-	-	-	-
1 bar	-	-	-	-
2 bar	-	-	-	-
5 bar	-	-	-	-
10 bar	-	-	-	-
16 bar	-	-	-	-
0.5 psi	-	-	-	-
1 psi	-	-	-	RPOP001G2K
5 psi	-	-	-	-
15 psi	-	-	-	-
30 psi	-	-	-	-
60 psi	-	-	-	-
100 psi	-	-	-	-
250 psi	-	-	-	-

1/4" - 28 UNF PRESSURE PORT (RP...M)				
Pressure range	Uncompensated / Gage pressure		Compensated / Gage pressure	
	Single inline pinning	Dual inline pinning	Single inline pinning	Dual inline pinning
35 mbar	-	-	-	-
50 mbar	-	-	RPOM050G6M	-
100 mbar	-	-	RPOM100G6M	-
250 mbar	-	-	RPOM250G6M	-
1 bar	-	-	RPOB001G6M	-
2 bar	-	-	RPOB002G6M	-
5 bar	RPUB005G6M	-	RPOB005G6M	RPOB005G2M
10 bar	RPUB010G6M	-	RPOB010G6M	-
16 bar	RPUB016G6M	-	RPOB016G6M	-
0.5 psi	-	-	-	-
1 psi	-	-	RPOP001G6M	-
5 psi	-	-	RPOP005G6M	-
15 psi	-	-	RPOP015G6M	-
30 psi	-	-	RPOP030G6M	-
60 psi	-	-	-	-
100 psi	RPUP100G6M	-	RPOP100G6M	RPOP100G2M
250 psi	RPUP250G6M	-	RPOP250G6M	-



RPU/RPO Specials

Pressure sensors with special fittings

ORDERING INFORMATION - AVAILABLE LISTINGS (cont.)

Note:

- Absolute and differential pressure versions are available on special request
- Different sealing options (e.g. EPDM, Neoprene, Silicone, Viton) are available on special request

Please contact your nearest Sensortechincs sales representative for further information.

Sensortechincs PRO services:

- Extended guarantee period of 2 years
- Improved performance characteristics
- Custom product modifications and adaptations even for small quantities
- Advanced logistics models for supply inventory and short delivery times
- Technical support through application engineers on the phone or at your site
- Fastest possible technical response for design and QA engineers
- ... plus other services on request

Sensortechincs reserves the right to make changes to any products herein. Sensortechincs does not assume any liability arising out of the application or use of any product or circuit described herein, neither does it convey any license under its patent rights nor the rights of others.