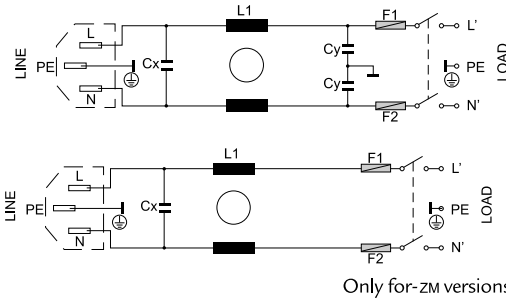


FT/FTO

IEC Connector Filter

Electrical schematics



FT snap-in

FTO screw fixing

Wiring, selector and fuse holder can be supplied or request

RFI Power Line Filters

General Specifications

Maximum operating voltage: 250Vac.

Operating frequency: DC - 60Hz.

Hipot test voltage: L/N->PE: 1800Vac 2s.

(2500Vac for M version)

L->N: 1700 Vdc 2s.

Application class: HPF Acc. TO DIN 40040

(-25°C/+85°C/95% RH, 30d).

Flammability class: UL 94 V2.

IEC Connector Filter

With IEC connector filter, fuse and switch.

External connections by user.

Small size.

M: For electromedical applications.

Product List

TYPE	I	L1	CX	CY	HOUSING	L.CURRENT	CONNECTION	WEIGHT ±g
FT-1Z	1 Amp	2 mH			252		FASTON 6,3mm	67
FT-3Z	3 Amp	1,3 mH	10 nF	2,2 nF	252	0,21mA	FASTON 6,3mm	66
FT-6Z	6 Amp	0,8 mH			252		FASTON 6,3mm	66
FT-1ZM	1 Amp	2 mH			252		FASTON 6,3mm	62
FT-3ZM	3 Amp	1,3 mH	10 nF	-	252	5µA	FASTON 6,3mm	61
FT-6ZM	6 Amp	0,8 mH			252		FASTON 6,3mm	61
FTO-1Z	1 Amp	2 mH			253		FASTON 6,3mm	85
FTO-3Z	3 Amp	1,3 mH	10 nF	2,2 nF	253	0,21mA	FASTON 6,3mm	85
FTO-6Z	6 Amp	0,8 mH			253		FASTON 6,3mm	85
FTO-1ZM	1 Amp	2 mH			253		FASTON 6,3mm	80
FTO-3ZM	3 Amp	1,3 mH	10 nF	-	253	5µA	FASTON 6,3mm	80
FTO-6ZM	6 Amp	0,8 mH			253		FASTON 6,3mm	80

Insertion Loss

