

NOTES:

1. MATERIAL - PP6
2. ALL DIMENSIONS ARE IN MILLIMETERS.
3. TOLERANCES - X.X=±0.25
-X.XX=±0.13
UNLESS OTHERWISE SPECIFIED.
4. ESD - SURFACE RESISTIVITY
- 10⁵ TO 10¹¹ OHMS/SQ.
5. FOR PACKAGE - 1.4 MM THICKNESS.
6. PART NO. : ND 1414 1.4 0615 6 REV.A
(PLEASE INDICATE ON PURCHASE ORDER).

REV.NO.	ECN #	DESCRIPTION	DATE
19	P-00953	CHANGE FROM TQFP TO QFP	10 AUG 99
18	P-00889	CHANGE SURFACE RESISTIVITY	1 FEB 99
17	P-00767	ADD RUNNER GATE	30 SEP 98
16	P-00630	CHANGE POSITION TOL	24 SEP 97
15	P-00552	ADD DETAIL S AS MARKING	15 SEP 95
14	P-00542	DELETED "ASSEMBLED IN SINGAPORE"	1 SEP 95

THIS DOCUMENT CONTAINS INFORMATION PROPRIETARY TO PEAK PLASTIC & METAL PRODUCTS INTERNATIONAL LIMITED. REPRODUCTION, DISCLOSURE OR USE OF THIS DOCUMENT IS EXPRESSLY PROHIBITED EXCEPT IF OTHERWISE AGREED UPON IN WRITING.

DRAWN BY : BUSH	PAGE 1 OF 2
CHECKED BY :	DATE : 10 AUG 99
APPROVED BY :	DATE : 10 AUG 99
APPROVED BY :	DATE : 10 AUG 99
DO NOT SCALE DRAWING	CODE : CSA00609

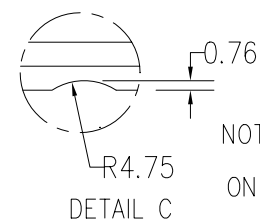
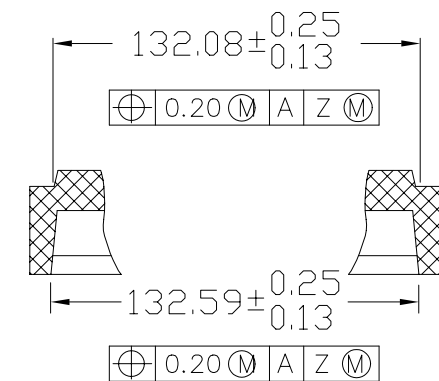
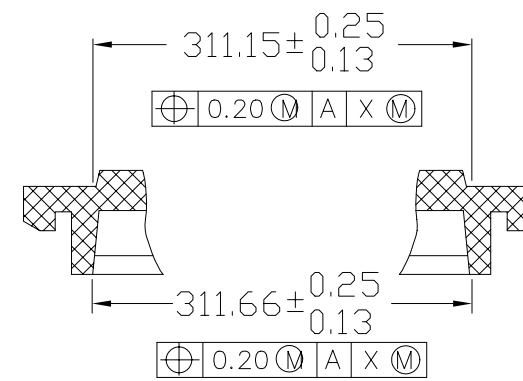
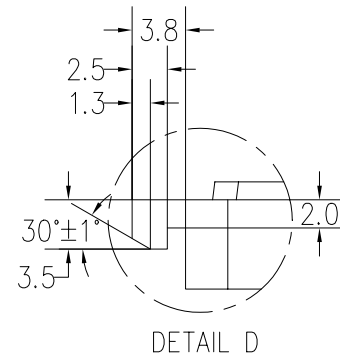
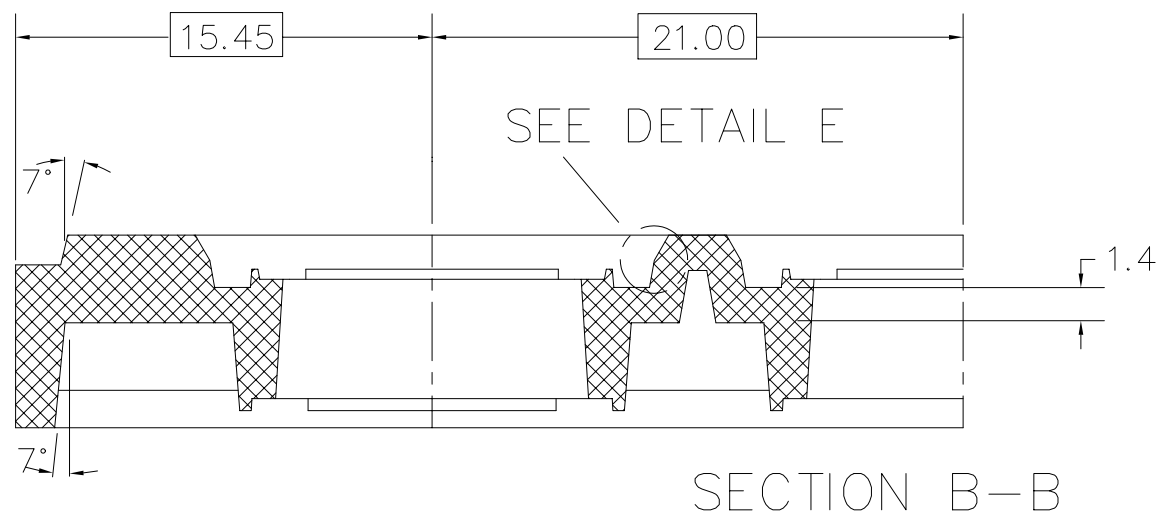
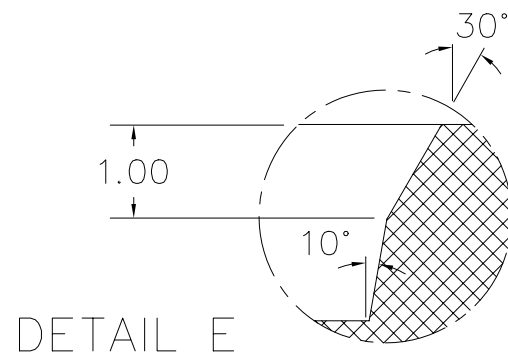
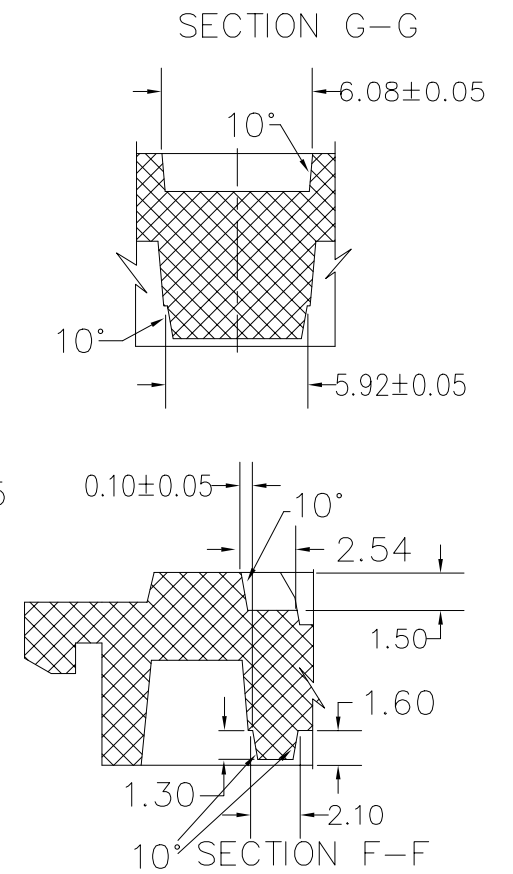
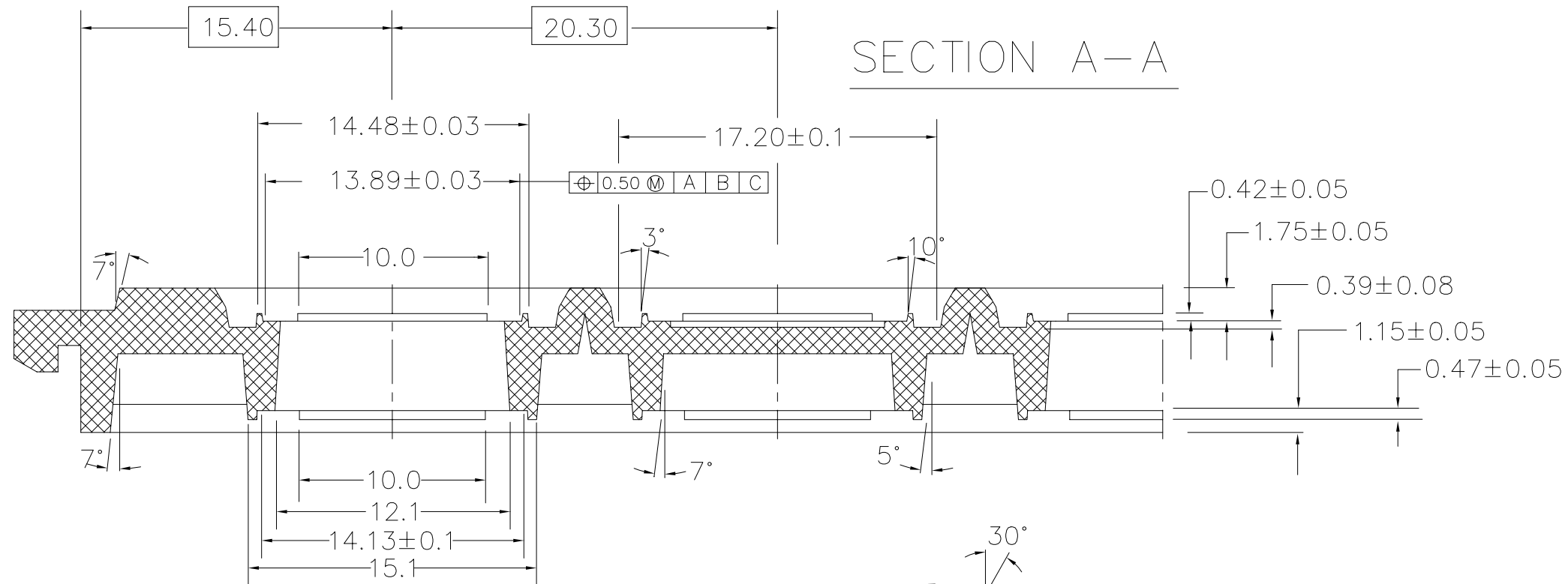

PEAK PLASTIC & METAL PRODUCTS INT'L LTD.

CUSTOMER : *PEAK*

TITLE : ND 1414 1.4 0615 6 REV.A

DWG NO.:ND 1414 1.4 0615 6 REV.A REV. 19

PEAK



NOTE: SCALLOP IS CENTERED ON SIDE OF TRAY



PEAK PEAK PLASTIC & METAL PRODUCTS INT'L LTD.

REV.NO.	ECN #	DESCRIPTION	DATE
19	P-00953	CHANGE FROM TQFP TO QFP	10 AUG 99
18	P-00889	CHANGE SURFACE RESISTIVITY	1 FEB 99
17	P-00767	ADD RUNNER GATE	30 SEP 98
16	P-00630	CHANGE POSITION TOL	24 SEP 97
15	P-00552	ADD DETAIL S AS MARKING	15 SEP 95
14	P-00542	DELETED "ASSEMBLED IN SINGAPORE"	1 SEP 95

THIS DOCUMENT CONTAINS INFORMATION PROPRIETARY TO PEAK PLASTIC & METAL PRODUCTS INTERNATIONAL LIMITED. REPRODUCTION, DISCLOSURE OR USE OF THIS DOCUMENT IS EXPRESSLY PROHIBITED EXCEPT IF OTHERWISE AGREED UPON IN WRITING.

DRAWN BY : BUSH	PAGE 2 OF 2
CHECKED BY :	DATE : 10 AUG 99
APPROVED BY :	DATE : 10 AUG 99
APPROVED BY :	DATE : 10 AUG 99
DO NOT SCALE DRAWING	CODE : CSA00609

CUSTOMER : PEAK
TITLE : ND 1414 1.4 0615 6 REV.A
DWG NO.:ND 1414 1.4 0615 6 REV.A
REV. 19