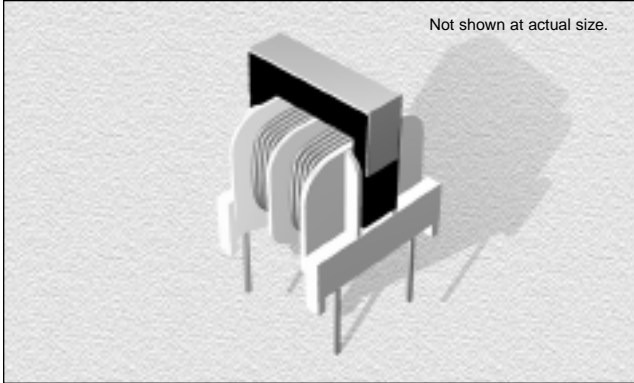


CTUF1515V Series

From 2.0 mH to 45 mH



CHARACTERISTICS

- Description:** Common mode choke coils.
- Applications:** For AC power supply/compact, separable bobbin.
- Rated Voltage:** 250Vac
- Operating Temperature Range:** -20°C to +105°C including self temperature rise.
- Temperature Rise:** 45°C maximum each line.
- Dielectric Withstanding Voltage:** 2000Vac between each winding for 1 minute.
- Insulation Resistance:** 100MΩ minimum between each winding for 1 minute.
- Additional Information:** Additional electrical & physical information available upon request. Different inductance and current products are available as well.
- Samples available. See website for ordering information.**

SPECIFICATIONS

* Indicates the inductance difference between the coil L1 and L2.

Part Number	Inductance (Min.) (mH)	Inductance Difference* (μH Max.)	DCR (Max.) (Ω)	Rated Current (Max.) (A)
CTUF1515V-453M0R5	45	900	2.3	0.5
CTUF1515V-253M0R7	25	500	1.3	0.7
CTUF1515V-153M0R8	15	300	0.9	0.8
CTUF1515V-103M1R0	10	200	0.5	1.0
CTUF1515V-402M1R5	4.0	80	0.3	1.5
CTUF1515V-302M2R0	3.0	85	0.17	2.0
CTUF1515V-202M2R0	2.0	50	0.15	2.0

PHYSICAL DIMENSIONS

