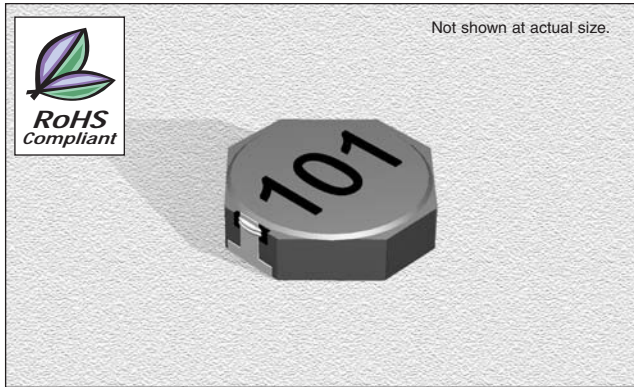


## CTCDRH8D28F Series

From 1.0  $\mu\text{H}$  to 100  $\mu\text{H}$



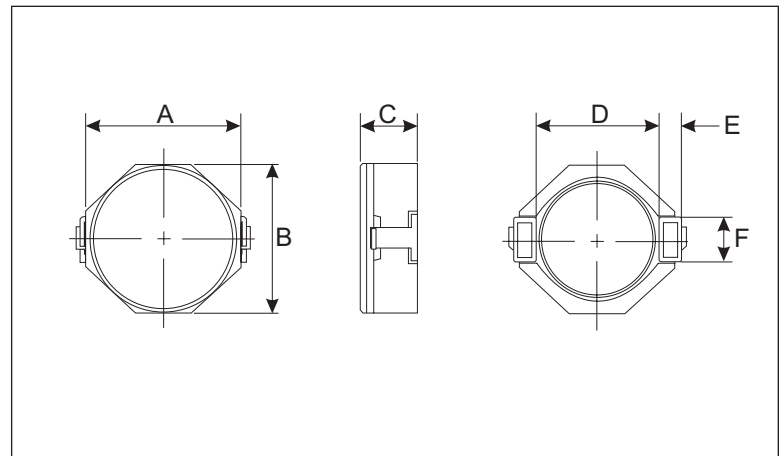
### SPECIFICATIONS

Part are available in  $\pm 30\%$  tolerance only

Part Number	Inductance ( $\mu\text{H}$ )	L Test Freq. (kHz)	DCR Max. (m $\Omega$ )	Rated DC Current (A)
CTCDRH8D28F-1R0N	1.0	100	11	6.5
CTCDRH8D28F-2R5N	2.5	100	14	4.5
CTCDRH8D28F-3R3N	3.3	100	18	4.0
CTCDRH8D28F-4R7N	4.7	100	24	3.4
CTCDRH8D28F-7R3N	7.3	100	38	2.8
CTCDRH8D28F-100N	10	100	42	2.3
CTCDRH8D28F-150N	15	100	66	1.9
CTCDRH8D28F-220N	22	100	95	1.6
CTCDRH8D28F-330N	33	100	150	1.3
CTCDRH8D28F-470N	47	100	190	1.15
CTCDRH8D28F-680N	68	100	280	0.92
CTCDRH8D28F-101N	100	100	410	0.75

### PHYSICAL DIMENSIONS

Size	A Max.	B Max.	C Max.	D	E	F
mm	8.3	8.3	3.0	6.3	1.2	2.5
inches	0.327	0.327	0.118	0.248	0.047	0.098



### CHARACTERISTICS

**Description:** SMD (shielded) power inductor

**Applications:** Power supplies for VTR, OA equipment, LCD televisions, PC notebooks, portable communication equipment, DC/DC converters, etc.

**Operating Temperature:**  $-30^{\circ}\text{C}$  to  $+100^{\circ}\text{C}$

**Rated DC Current:** The rated D.C. current indicates the value of current when the inductance is 65% more than its nominal value and temperature rising  $\Delta T=40^{\circ}\text{C}$  lower at D.C. superposition

**Inductance Tolerance:**  $\pm 30\%$

**Testing:** Tested on a HP4285A at 100 KHz , 0.25Vrms , 0Adc

**Packaging:** Tape & Reel

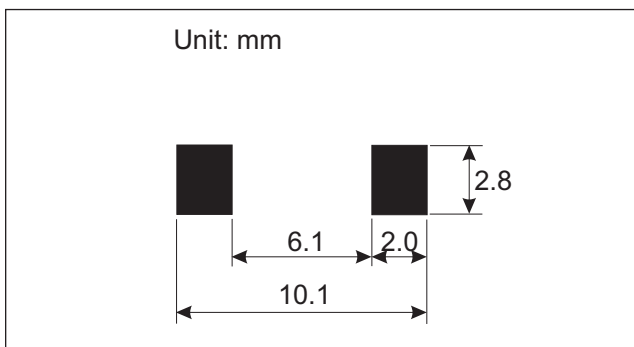
**Marking:** Parts are marked with inductance code

**Miscellaneous:** RoHS Compliant.

**Additional Information:** Additional electrical & physical information available upon request

**Samples available. See website for ordering information.**

### PAD LAYOUT



05.15.08